



US00D965600S

(12) **United States Design Patent**  
**Li**

(10) **Patent No.:** **US D965,600 S**

(45) **Date of Patent:** **\*\* Oct. 4, 2022**

(54) **TABLET CASE**

(71) Applicant: **SHENZHEN TIANHUIFENG TECHNOLOGY CO., LTD.**, Shenzhen (CN)

(72) Inventor: **Chuanbao Li**, Nanyang (CN)

(73) Assignee: **SHENZHEN TIANHUIFENG TECHNOLOGY CO., LTD.**, Shenzhen (CN)

(\*\*) Term: **15 Years**

(21) Appl. No.: **29/821,446**

(22) Filed: **Dec. 30, 2021**

(51) **LOC (13) Cl.** ..... **14-02**

(52) **U.S. Cl.**  
USPC ..... **D14/440**

(58) **Field of Classification Search**  
USPC ..... D14/440, 447, 250; 361/679.55; 206/45.23, 320, 45.2; 294/25; 455/575.8  
CPC ... G06F 1/1628; G06F 1/1626; A47B 23/044; A45C 11/00  
See application file for complete search history.

(56) **References Cited**

**U.S. PATENT DOCUMENTS**

- 6,772,879 B1 \* 8/2004 Domotor ..... G06F 1/1628 206/320
- D658,187 S \* 4/2012 Diebel ..... G06F 1/1628 D14/440
- D658,188 S \* 4/2012 Diebel ..... D14/440
- D663,304 S \* 7/2012 Akana ..... D14/440
- 8,245,843 B1 \* 8/2012 Wu ..... H01M 10/465 206/320
- D671,948 S \* 12/2012 Akana ..... D14/440
- D672,353 S \* 12/2012 Liu ..... D14/440
- D678,260 S \* 3/2013 Bau ..... D14/132
- D679,715 S \* 4/2013 Akana ..... D14/440

- D681,641 S \* 5/2013 Van Den Nieuwenhuizen ..... D14/440
- D682,836 S \* 5/2013 Akana ..... D14/440
- D682,838 S \* 5/2013 Akana ..... D14/440
- D687,438 S \* 8/2013 Lu ..... D14/440
- D690,702 S \* 10/2013 Chung ..... D14/440
- D691,142 S \* 10/2013 Diebel ..... G06F 1/1679 D14/440
- D696,253 S \* 12/2013 Akana ..... D14/345
- D696,256 S \* 12/2013 Piedra ..... D14/440
- D696,669 S \* 12/2013 Akana ..... D14/440
- 8,657,112 B2 \* 2/2014 Igarashi ..... H05K 5/03 206/320

(Continued)

*Primary Examiner* — Cynthia R Underwood

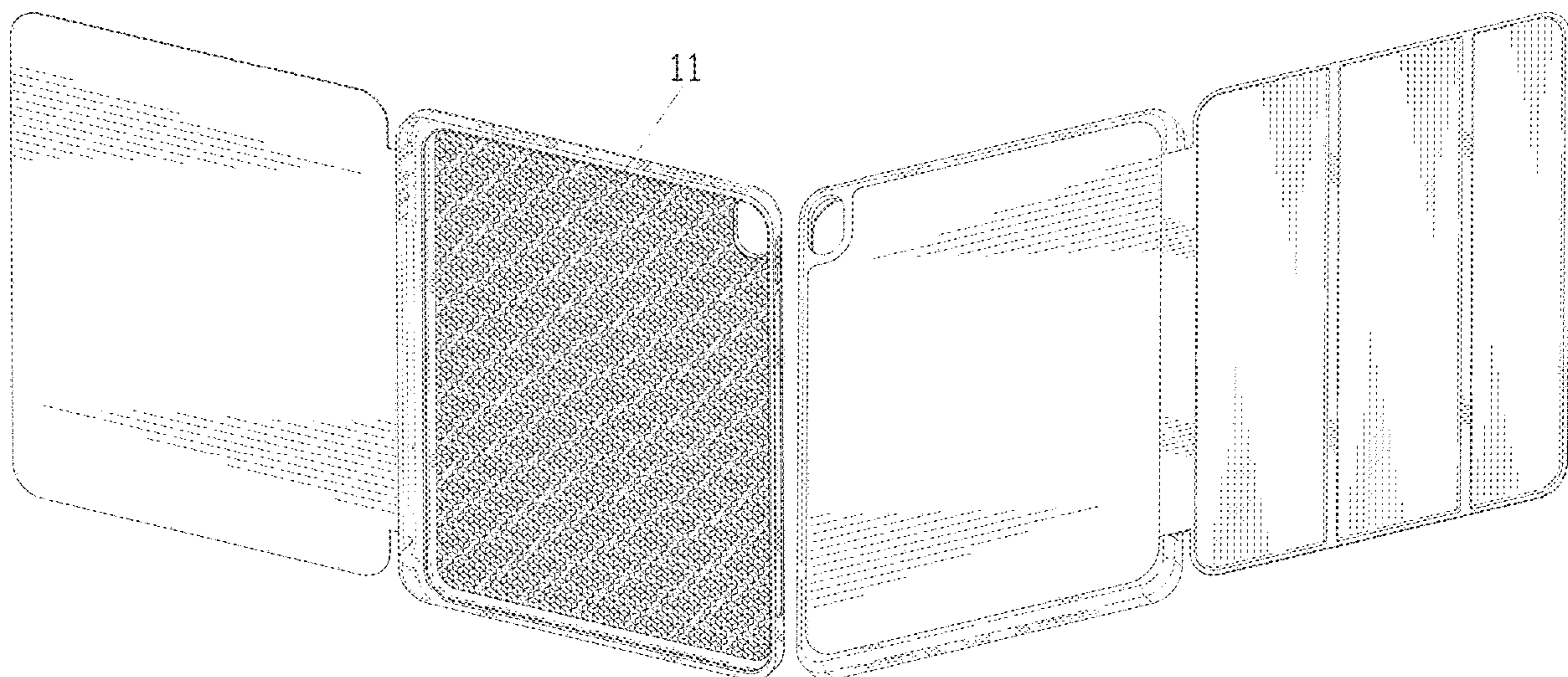
(57) **CLAIM**

The ornamental design for a tablet case, as shown and described.

**DESCRIPTION**

FIG. 1 is a perspective view of a tablet case showing my new design;  
 FIG. 2 is another perspective view thereof;  
 FIG. 3 is a front elevational view thereof;  
 FIG. 4 is a rear elevational view thereof;  
 FIG. 5 is a left side elevational view thereof;  
 FIG. 6 is a right side elevational view thereof;  
 FIG. 7 is a top plan view thereof;  
 FIG. 8 is a bottom plan view thereof;  
 FIG. 9 is a perspective view of the tablet case where the tablet case is in a configuration of use;  
 FIG. 10 is a perspective view of the tablet case where the tablet case is in a closed state; and,  
 FIG. 11 is an enlarged view of portion 11 shown in FIG. 1. The dash-dash broken lines in the drawings depict portions of the tablet case that form no part of the claimed design. The dot-dash broken lines represent the boundary of the enlarged portion and form no part of the claimed design.

**1 Claim, 11 Drawing Sheets**



(56)

References Cited

U.S. PATENT DOCUMENTS

D701,205 S \* 3/2014 Akana ..... D14/341  
 D702,673 S \* 4/2014 Murchison ..... D14/250  
 D704,689 S \* 5/2014 Chang ..... D3/218  
 D706,270 S \* 6/2014 Akana ..... D14/440  
 8,783,458 B2 \* 7/2014 Gallagher ..... G11B 33/1446  
 206/320  
 D770,458 S \* 11/2016 Corcoran ..... D14/440  
 10,148,307 B2 \* 12/2018 Shannon, III ..... G06F 1/1643  
 D851,648 S \* 6/2019 Tan ..... D14/440  
 D864,972 S \* 10/2019 Chen ..... D14/440  
 D868,071 S \* 11/2019 Liu ..... D14/440  
 D868,072 S 11/2019 Lei  
 D872,093 S \* 1/2020 Xu ..... D14/440  
 D885,399 S \* 5/2020 Chen ..... D14/440  
 D885,402 S \* 5/2020 Lei ..... D14/440  
 D887,415 S \* 6/2020 Claudepierre ..... D14/440  
 D888,718 S \* 6/2020 Xu ..... D14/440  
 D889,474 S \* 7/2020 Akana ..... D14/440  
 D892,126 S \* 8/2020 Kim ..... D14/440  
 D892,803 S \* 8/2020 Armstrong ..... D14/440

D898,747 S \* 10/2020 Deng ..... D14/440  
 D909,391 S \* 2/2021 Cheng ..... D14/440  
 D910,026 S \* 2/2021 Li ..... D14/440  
 D910,642 S \* 2/2021 Li ..... D14/440  
 D910,643 S \* 2/2021 Li ..... D14/440  
 D912,063 S \* 3/2021 Yan ..... D14/440  
 D920,335 S \* 5/2021 Akana ..... D14/440  
 D921,637 S \* 6/2021 Cheng ..... D14/440  
 D922,390 S \* 6/2021 Cheng ..... D14/440  
 D922,391 S \* 6/2021 Cheng ..... D14/440  
 D923,011 S \* 6/2021 Cheng ..... D14/440  
 D924,244 S \* 7/2021 Akana ..... D14/440  
 D924,880 S \* 7/2021 Akana ..... D14/440  
 D928,165 S \* 8/2021 Li ..... D14/440  
 D928,788 S \* 8/2021 Kang ..... D14/440  
 D941,297 S \* 1/2022 Wright ..... D14/440  
 2012/0211377 A1 \* 8/2012 Sajid ..... G06F 1/1628  
 206/216  
 2012/0308981 A1 \* 12/2012 Libin ..... G09B 7/00  
 434/362  
 2013/0140203 A1 \* 6/2013 Chiang ..... G06F 1/1628  
 206/320  
 2019/0275714 A1 \* 9/2019 Kanoh ..... B29C 45/14311

\* cited by examiner

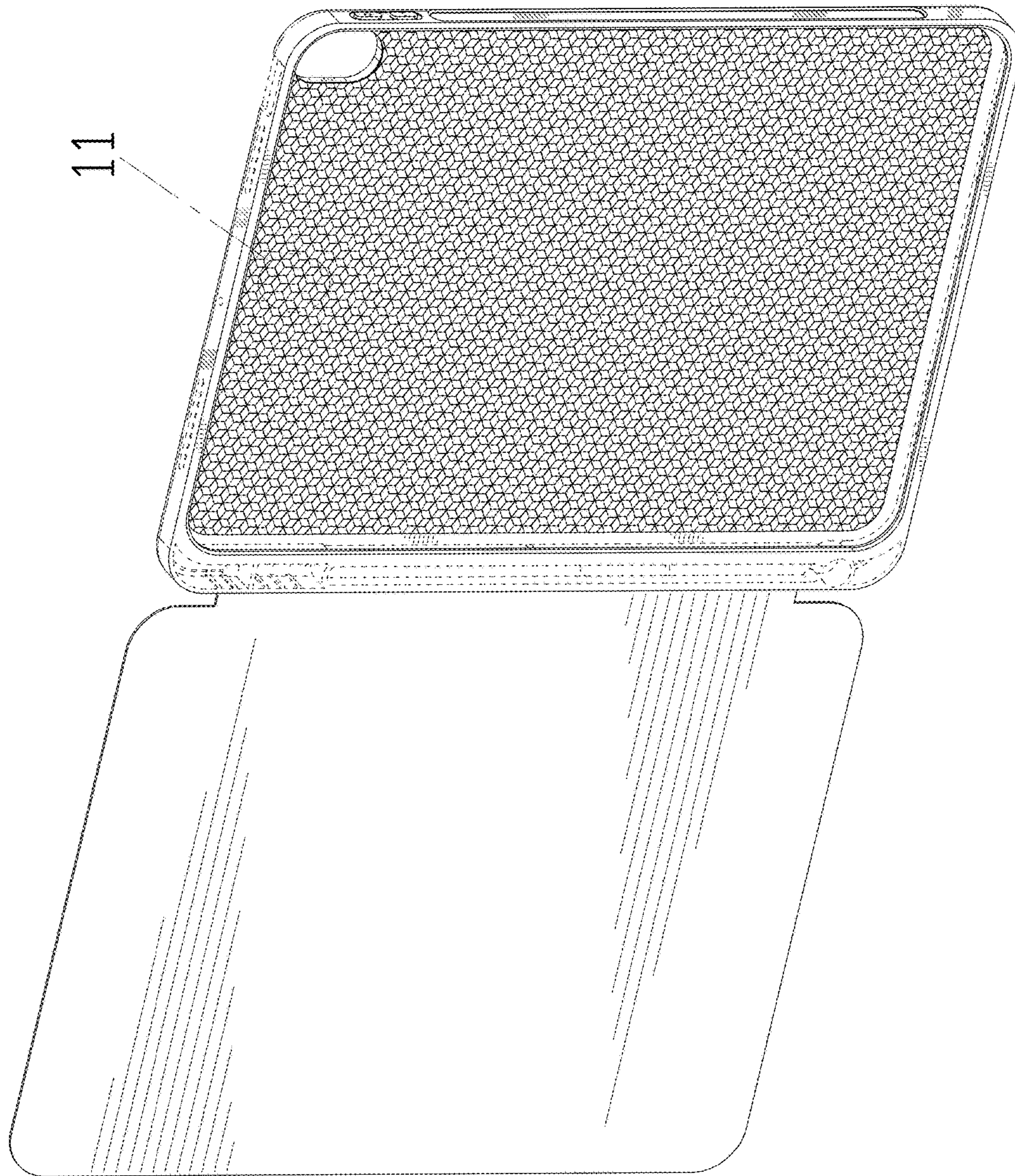


FIG. 1

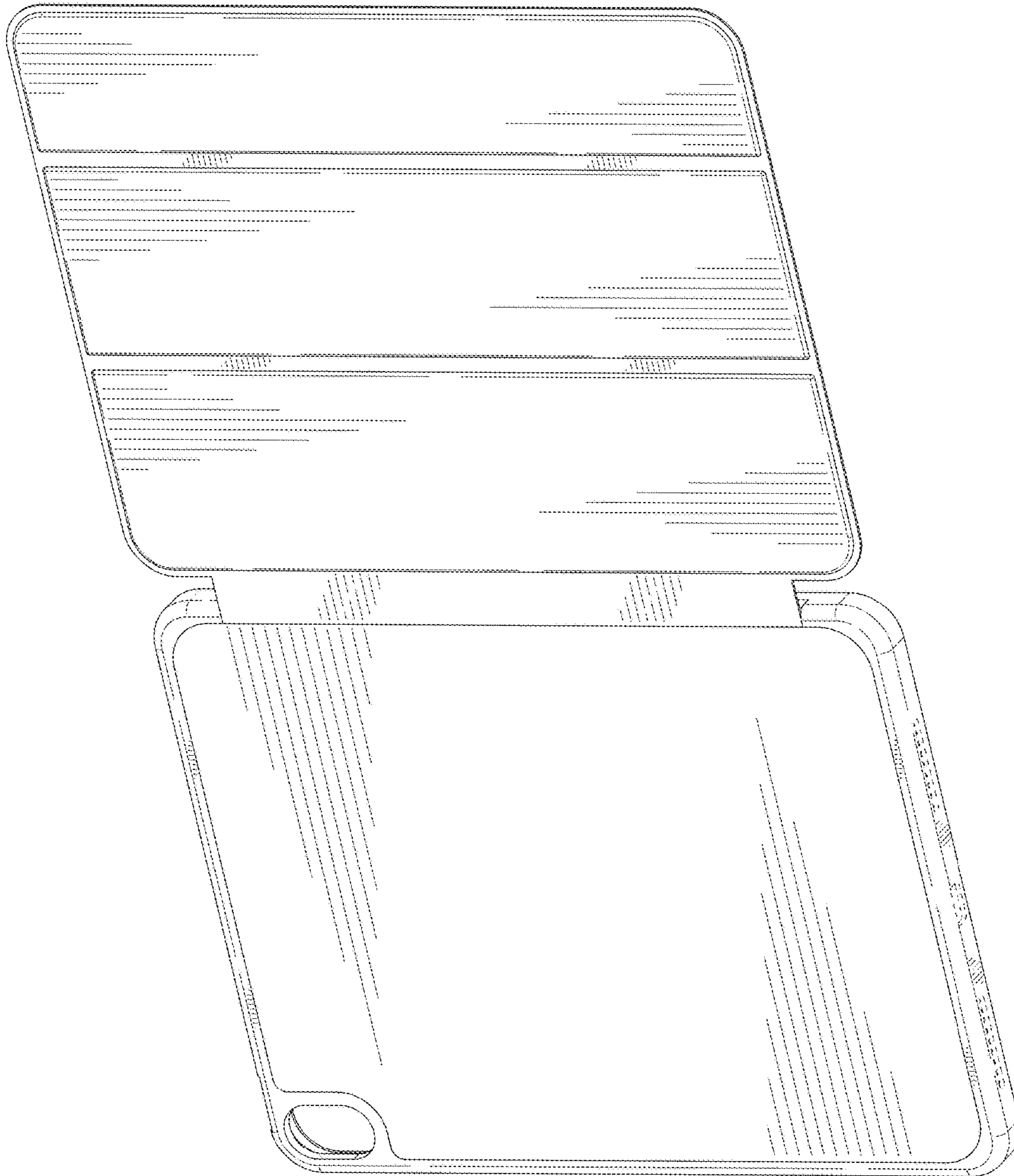


FIG. 2

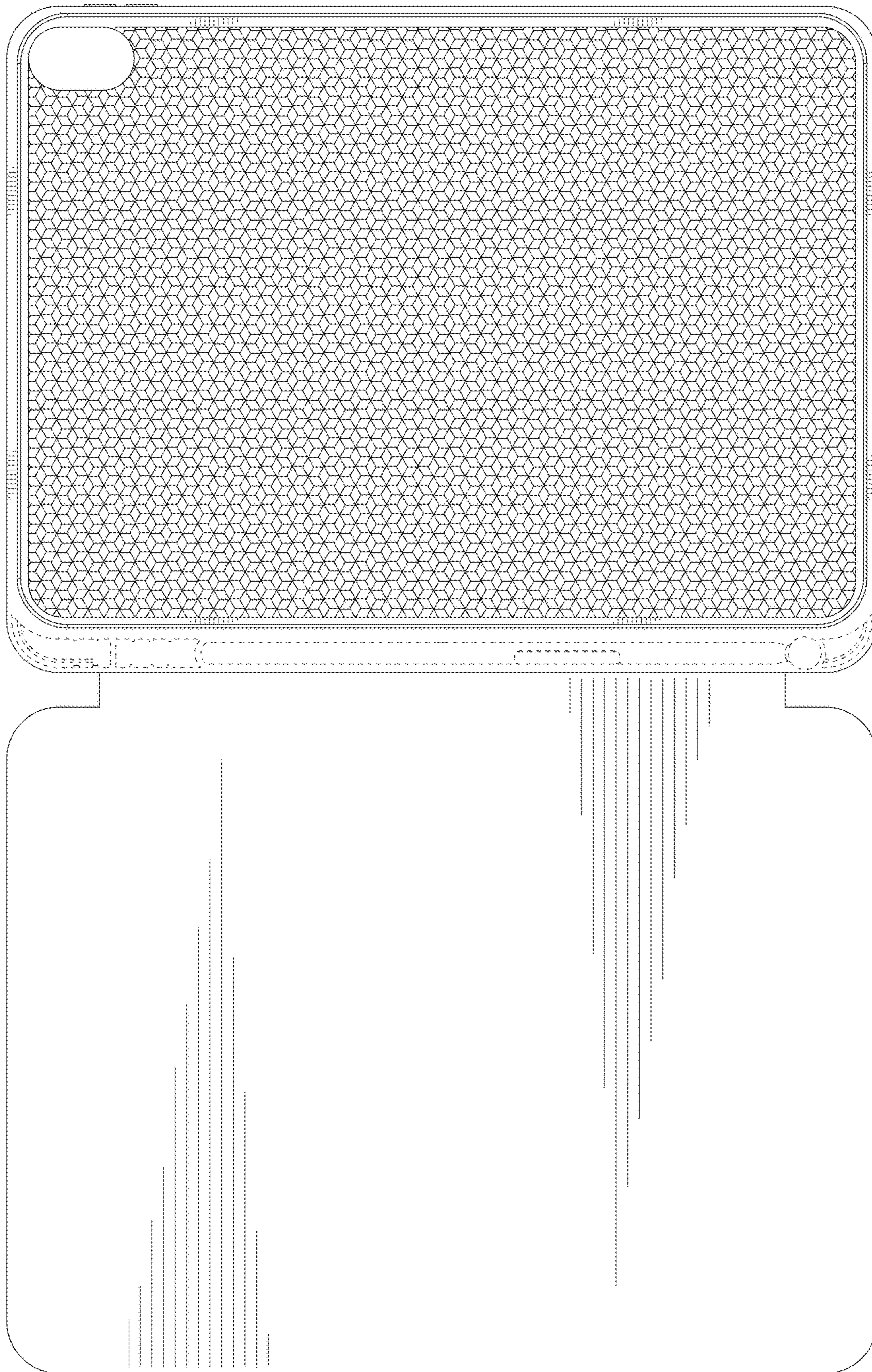


FIG. 3

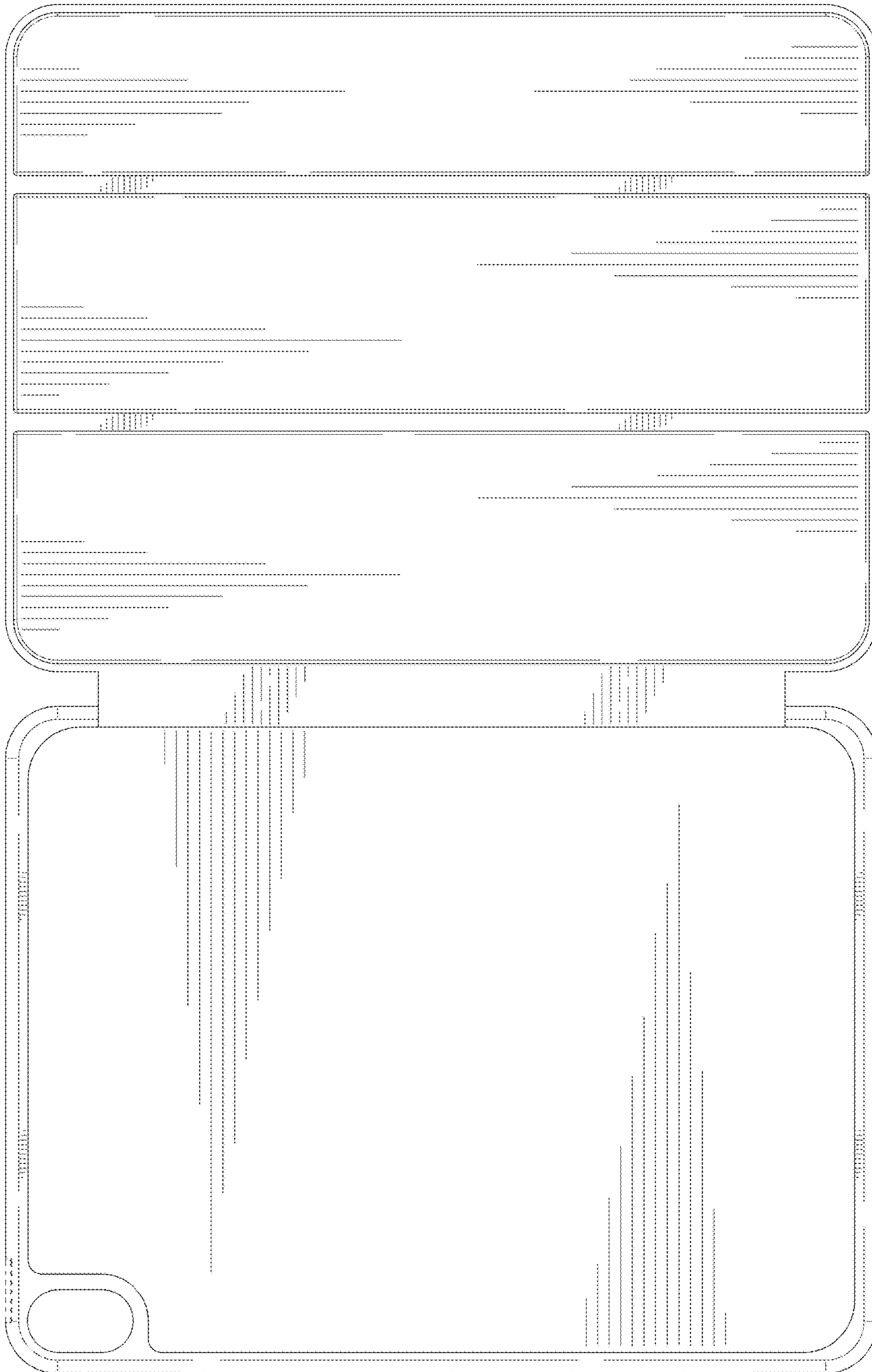


FIG. 4

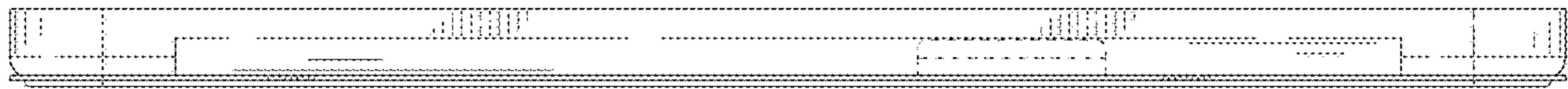


FIG. 5



FIG. 6



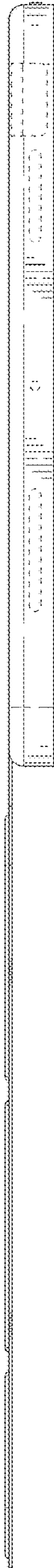


FIG. 7



FIG. 8

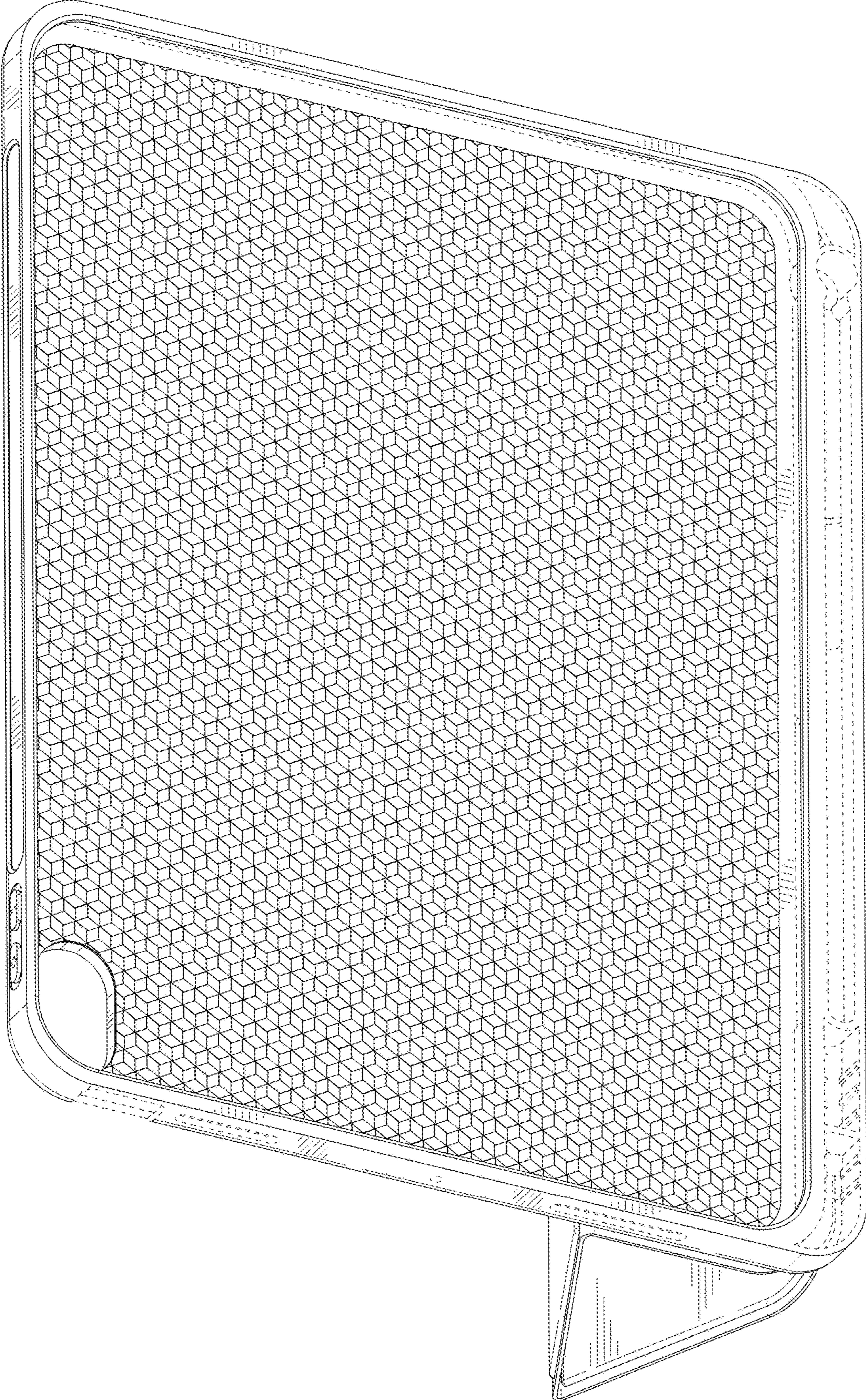


FIG. 9

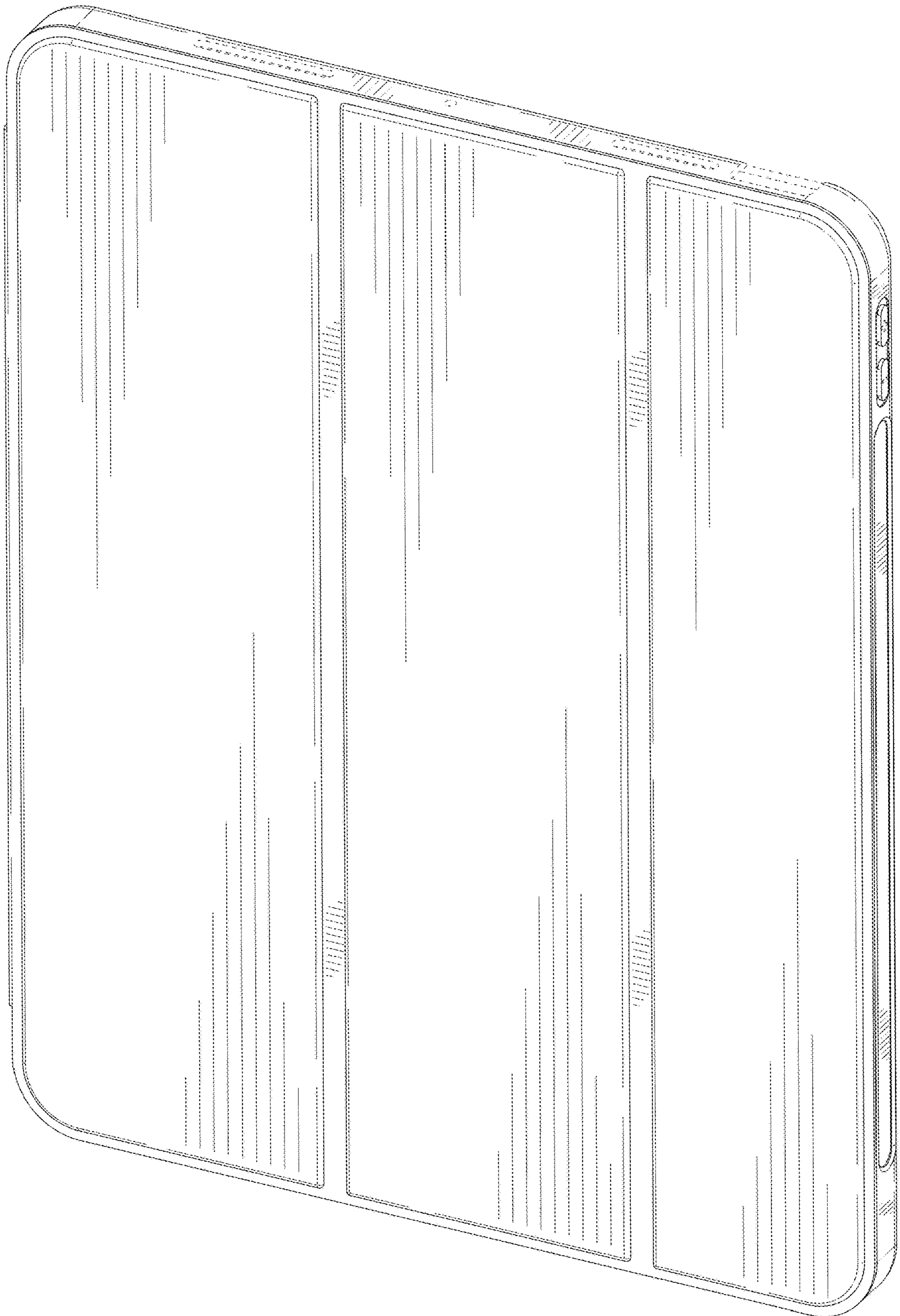


FIG. 10

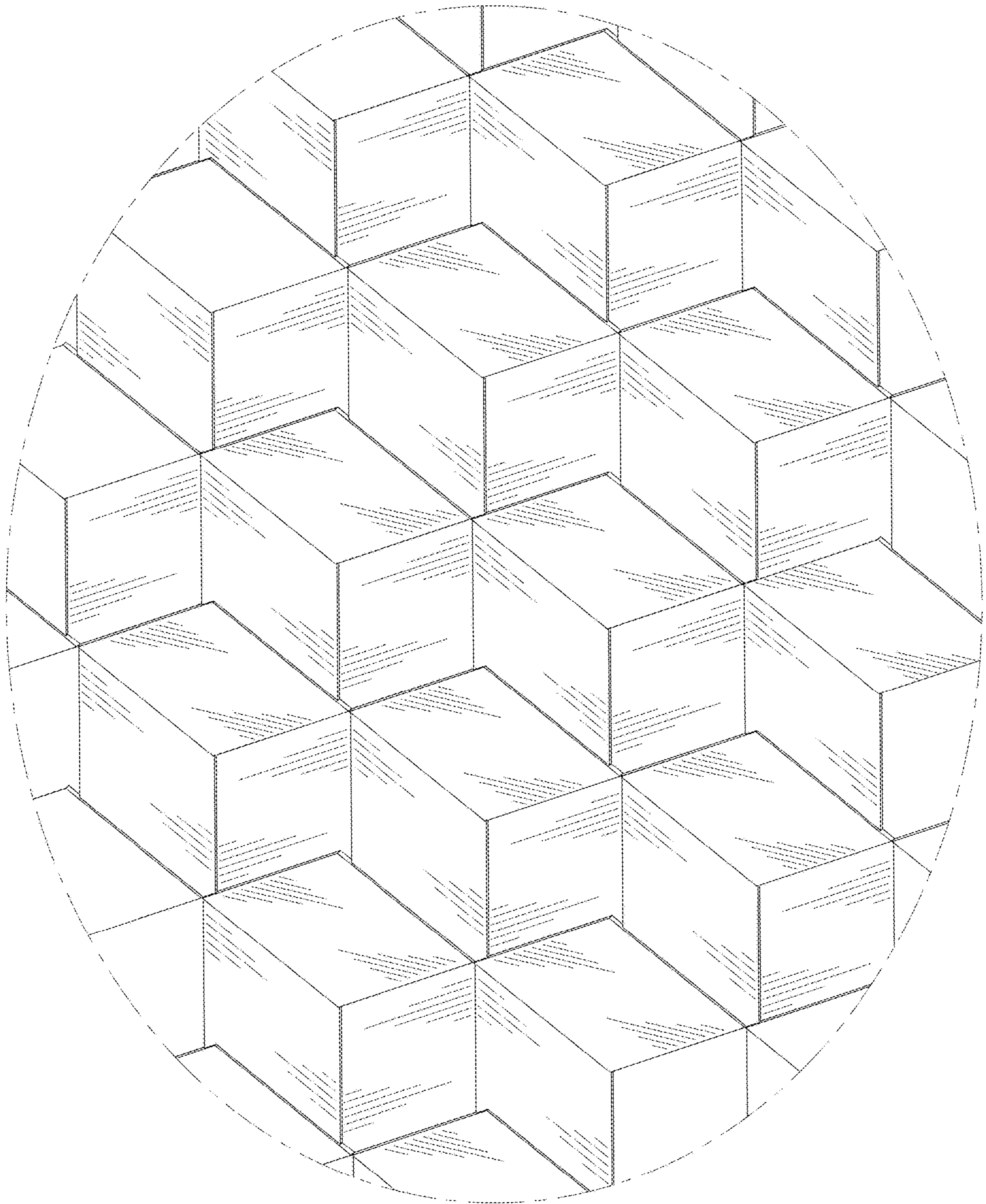


FIG. 11