



US00D965599S

(12) **United States Design Patent** (10) **Patent No.:** **US D965,599 S**
Piper (45) **Date of Patent:** **** Oct. 4, 2022**

- (54) **CASE FOR PORTABLE ELECTRONIC COMPUTING DEVICE**
- (71) Applicant: **Pioneer Square Brands, Inc.**, Seattle, WA (US)
- (72) Inventor: **Brian Lewis Piper**, Seattle, WA (US)
- (73) Assignee: **Pioneer Square Brands, Inc.**, McLean, VA (US)
- (**) Term: **15 Years**
- (21) Appl. No.: **29/814,327**
- (22) Filed: **Nov. 5, 2021**
- (51) **LOC (13) Cl.** **14-02**
- (52) **U.S. Cl.**
USPC **D14/440**
- (58) **Field of Classification Search**
USPC D14/440, 447, 250; 361/679.55;
206/45.23, 320, 45.2; 294/25; 455/575.8
CPC ... G06F 1/1628; G06F 1/1626; A47B 23/044;
A45C 11/00
See application file for complete search history.

D834,581 S	11/2018	Li	
D835,624 S	12/2018	Li	
D835,625 S	12/2018	Li	
D843,377 S	3/2019	Tang	
D848,441 S	5/2019	Ferren et al.	
D850,454 S	6/2019	Kim et al.	
D852,199 S	6/2019	Kim et al.	
D852,200 S	6/2019	Chan et al.	
D852,201 S	6/2019	Chan et al.	
D854,022 S	7/2019	Chen	
D862,480 S *	10/2019	Chan	D14/440
D879,104 S	3/2020	Li	
D879,105 S	3/2020	Li	
D879,789 S	3/2020	Li	
D881,197 S	4/2020	Chen	
D881,894 S	4/2020	Zhang	
D884,709 S	5/2020	Cheng	
D897,349 S	9/2020	Li	
D898,035 S	10/2020	Xu	
D898,747 S	10/2020	Deng	
D906,336 S	12/2020	Li	

(Continued)

Primary Examiner — Cynthia R Underwood
(74) *Attorney, Agent, or Firm* — Grandview Law

(57) **CLAIM**

The ornamental design for a case for portable electronic computing device, as shown and described.

DESCRIPTION

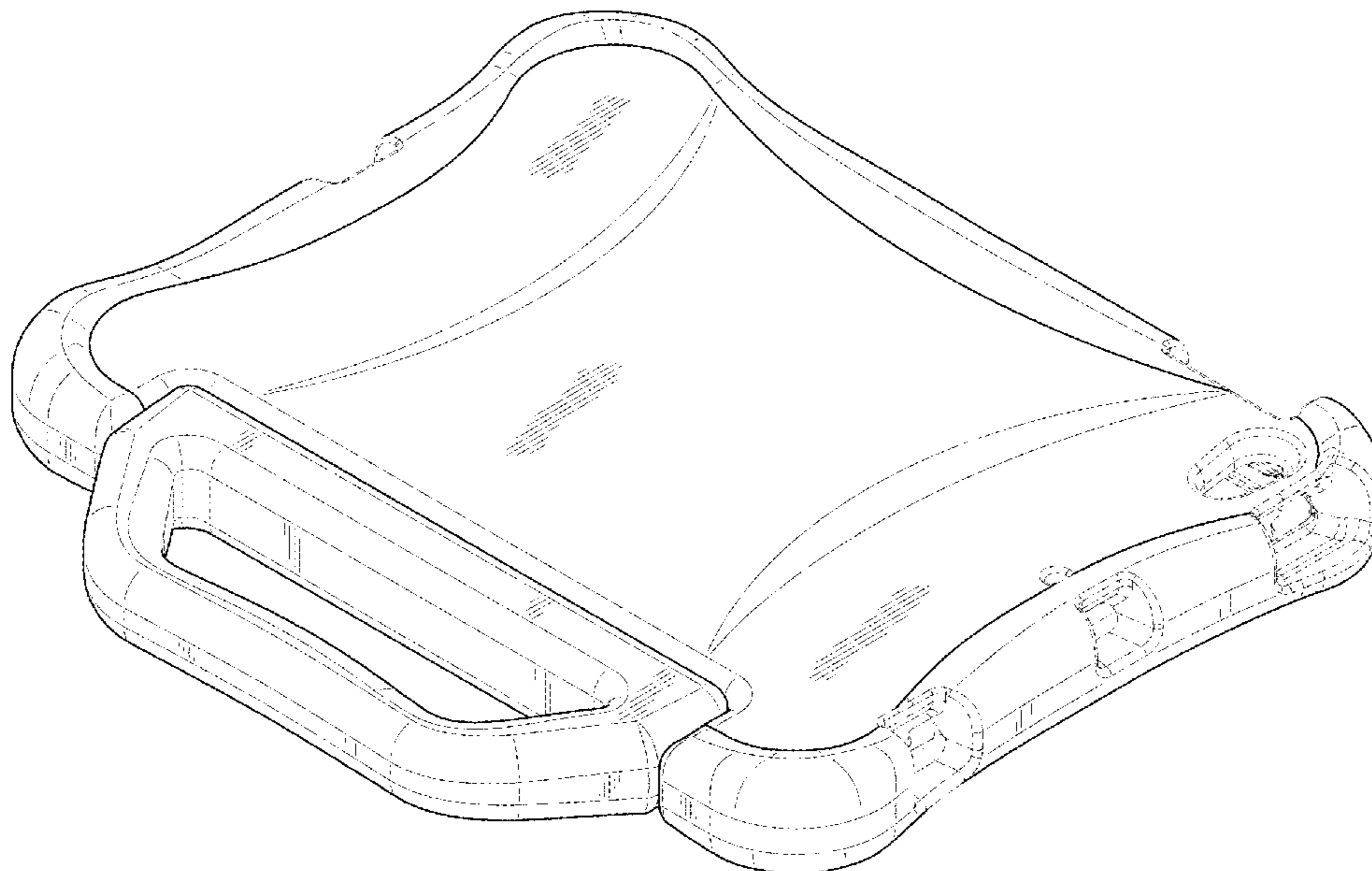
FIG. 1 is a front perspective view of a case for portable electronic computing device showing my new design. FIG. 2 is a front elevational view thereof. FIG. 3 is a rear elevational view thereof. FIG. 4 is a right elevational view thereof. FIG. 5 is a left elevational view thereof. FIG. 6 is a top plan view thereof; and, FIG. 7 is a bottom plan view thereof. The features shown in broken lines in the drawing figures depict features that form no part of the claimed design.

1 Claim, 7 Drawing Sheets

(56) **References Cited**

U.S. PATENT DOCUMENTS

D665,168 S	8/2012	Dawson	
D689,056 S	9/2013	Li	
D690,704 S	10/2013	Padilla et al.	
D691,144 S	10/2013	Peters et al.	
D691,146 S	10/2013	Perez	
D703,672 S	4/2014	Kim et al.	
D727,917 S *	4/2015	Yeo	D14/440
D741,335 S	10/2015	Bastian et al.	
D807,366 S	1/2018	Chen	
D811,412 S *	2/2018	McCurdy	D14/440
D829,720 S	10/2018	Zhang	
D834,027 S	11/2018	Chapuis et al.	



(56)

References Cited

U.S. PATENT DOCUMENTS

D906,337 S	12/2020	Cheng	
D910,023 S	2/2021	Ahn	
D911,350 S	2/2021	Li	
D916,708 S	4/2021	Ke	
D917,493 S	4/2021	Zhung	
D918,924 S	5/2021	Xu	
D928,166 S	8/2021	Hu	
D945,428 S *	3/2022	Xu	D14/440
D946,577 S *	3/2022	Wall	D14/440

* cited by examiner

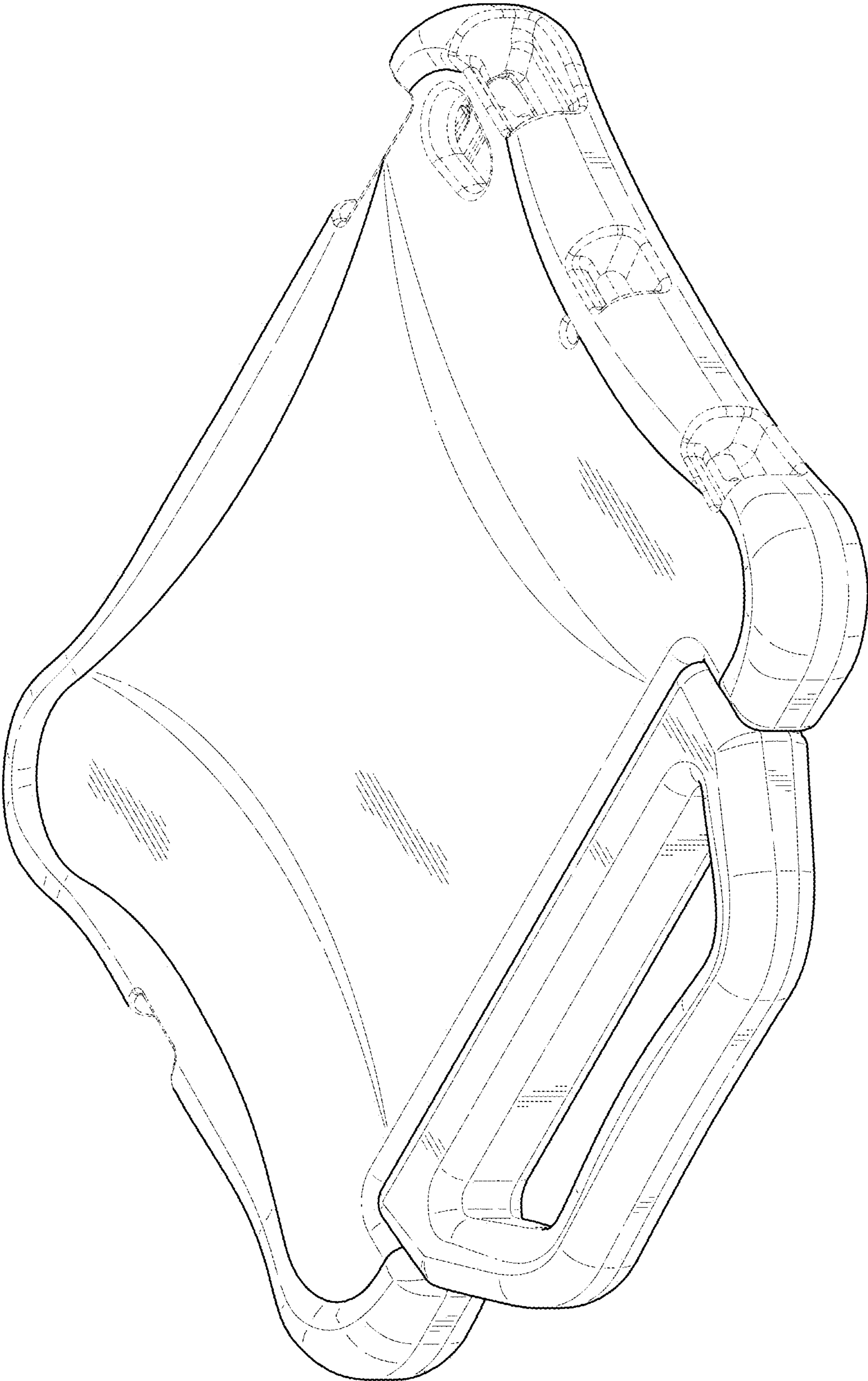


FIG. 1

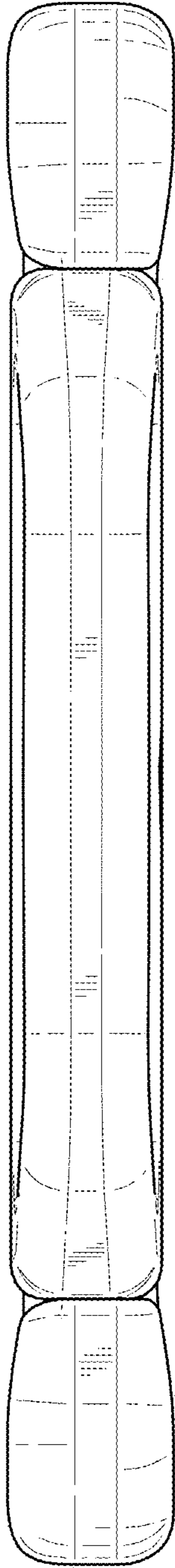


FIG. 2

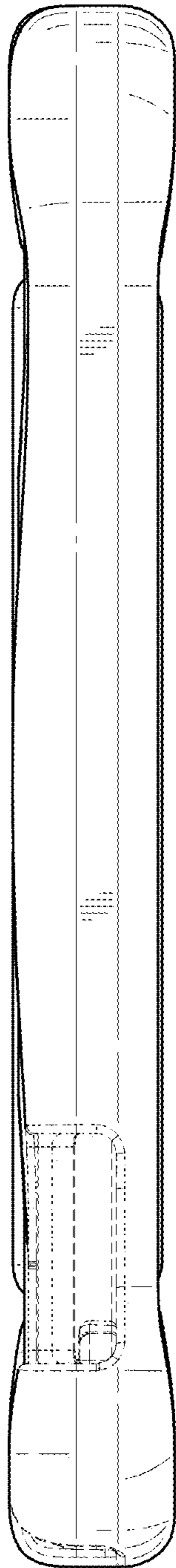


FIG. 3

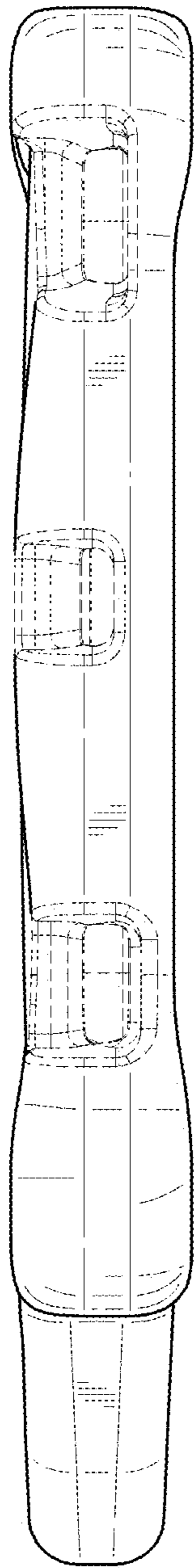


FIG. 4

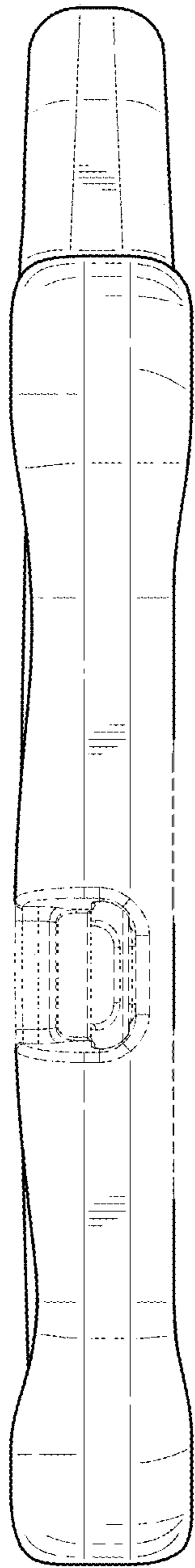


FIG. 5

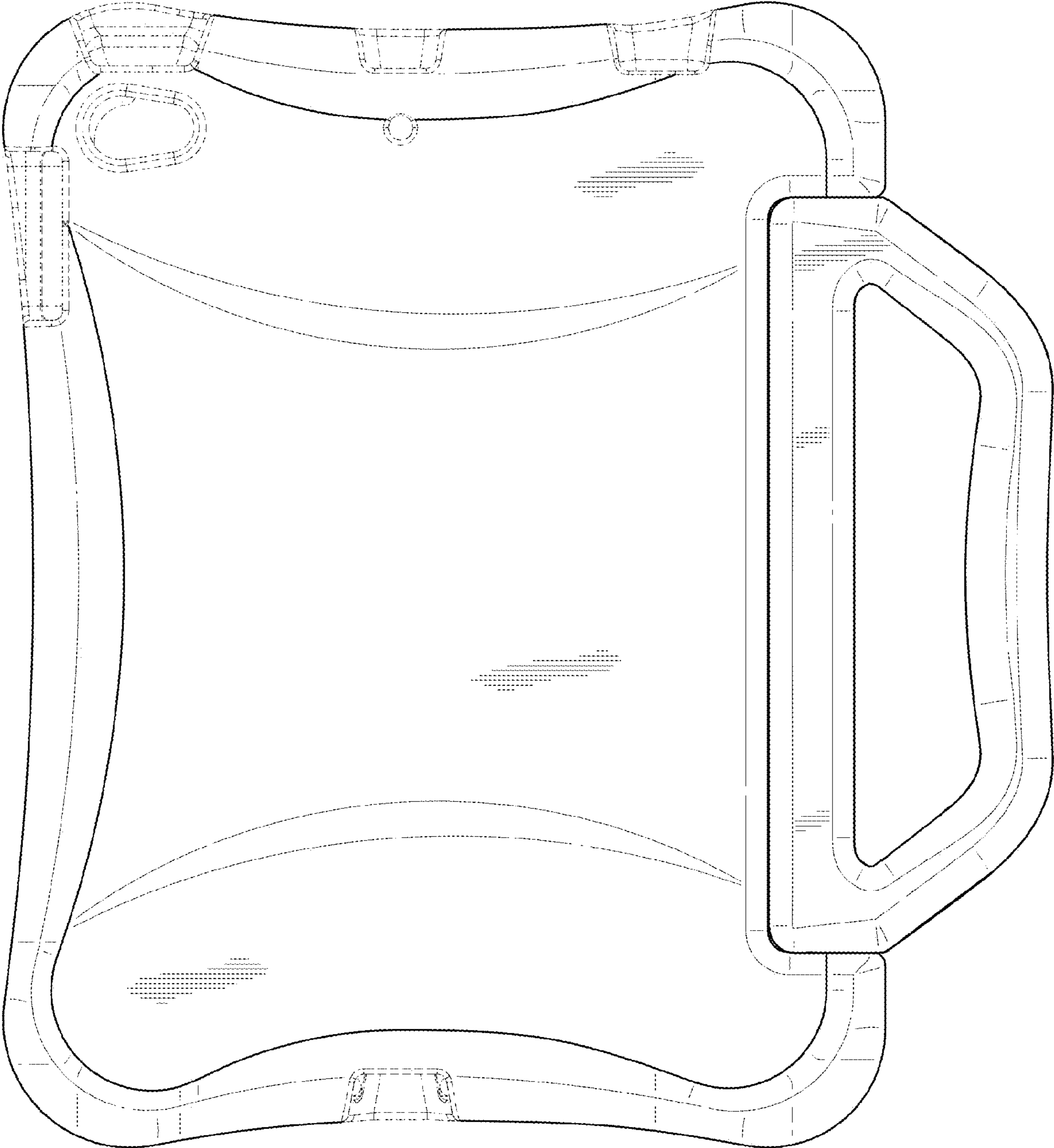


FIG. 6

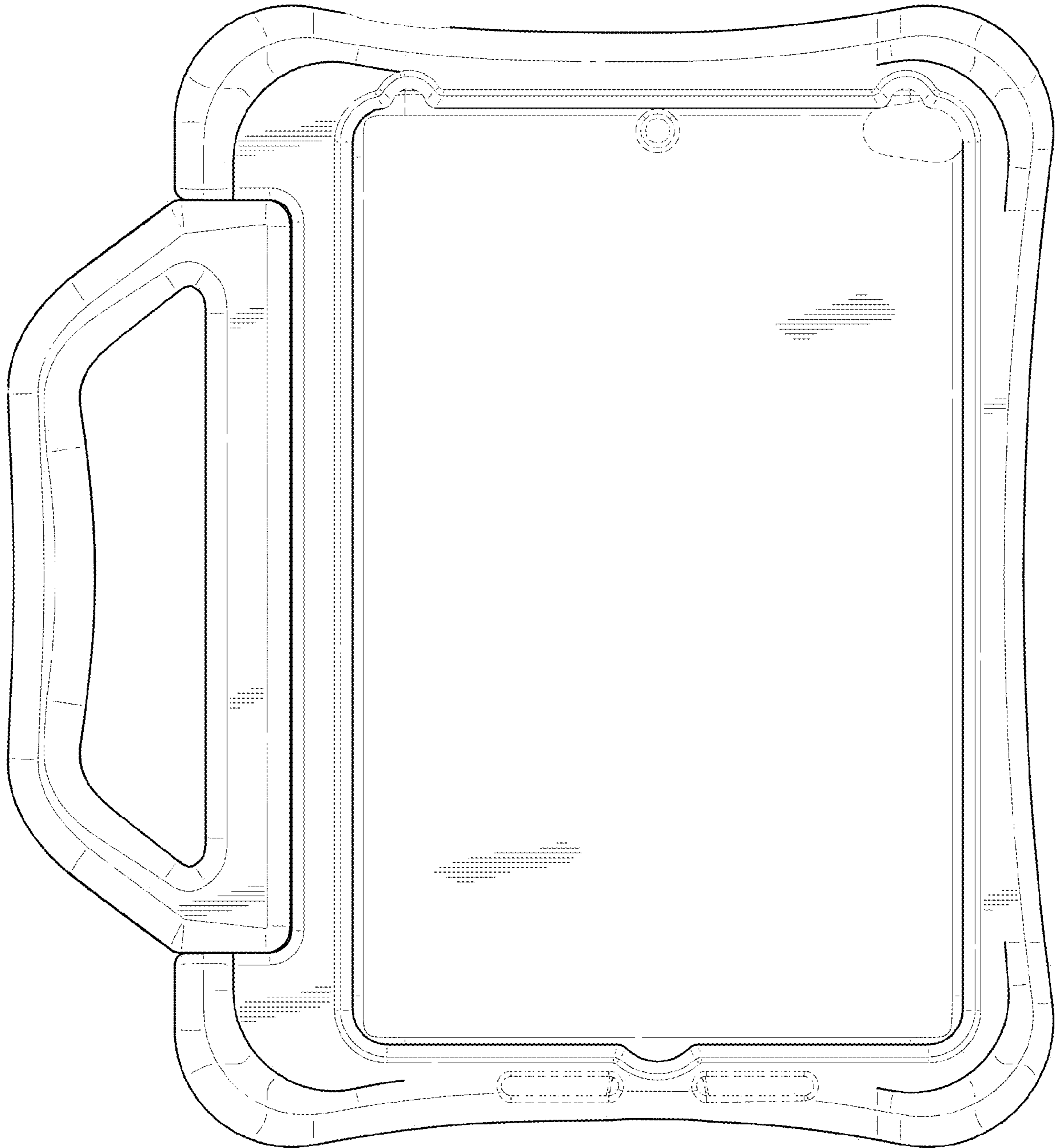


FIG. 7