



US00D965598S

(12) **United States Design Patent**  
**Treeratpijarn**

(10) **Patent No.:** **US D965,598 S**

(45) **Date of Patent:** **\*\* Oct. 4, 2022**

(54) **TABLET CASE**

FOREIGN PATENT DOCUMENTS

(71) Applicant: **Sheep Gadget Co., Ltd.**, Bangkok (TH)

FR 2985160 A3 \* 7/2013 ..... A45C 11/00  
KR 300635178.0000 \* 3/2012

(72) Inventor: **Apinan Treeratpijarn**, Bangkok (TH)

OTHER PUBLICATIONS

(\*\*) Term: **15 Years**

Best ipad cases 2022, Esquire article, date visited Aug. 12, 2022, <https://www.esquire.com/lifestyle/g39438513/best-ipad-cases/>.\*

(21) Appl. No.: **29/813,335**

*Primary Examiner* — John R Yeh

(22) Filed: **Oct. 28, 2021**

(51) **LOC (13) Cl.** ..... **14-02**

(57) **CLAIM**

(52) **U.S. Cl.**

The ornamental design for a tablet case, as shown and described.

USPC ..... **D14/440**

(58) **Field of Classification Search**

USPC ..... D14/440, 447; D3/276  
CPC . A45C 11/34; A45C 15/00; G06F 1/20; G06F 1/203

**DESCRIPTION**

See application file for complete search history.

FIG. 1 is a front and top perspective view of a tablet case, showing my new design;  
FIG. 2 is a rear and bottom perspective view thereof;  
FIG. 3 is a front elevation view thereof;  
FIG. 4 is a rear elevation view thereof;  
FIG. 5 is a left side elevation view thereof;  
FIG. 6 is a right side elevation view thereof;  
FIG. 7 is a top plan view thereof;  
FIG. 8 is a bottom plan view thereof;  
FIG. 9 is an enlarged view of a portion indicated with numeric 9 in FIG. 2;  
FIG. 10 is another perspective view of the tablet case in an alternative position around a tablet environment; and,  
FIG. 11 is an exploded view of the tablet case from FIG. 1.  
The broken lines in the figures illustrate portions of the tablet case that form no part of the claimed design. In FIG. 10, the broken lines also depict a tablet environment that form no part of the claimed design. The dash-dot-dash lines in FIGS. 2 and 9 are for the purpose of depicting boundary lines of the enlarged view and form no part of the claimed design.

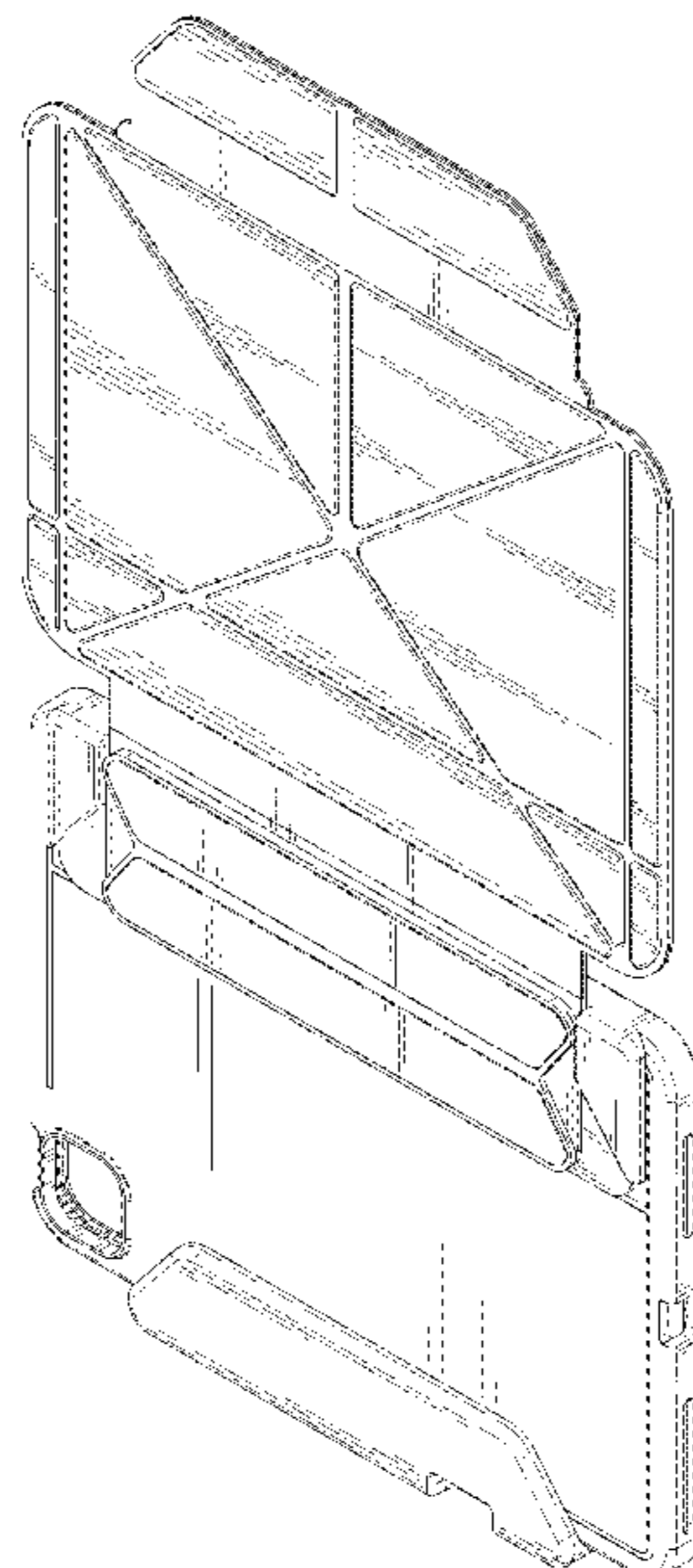
(56) **References Cited**

U.S. PATENT DOCUMENTS

- D658,187 S \* 4/2012 Diebel ..... G06F 1/1628 D14/440
- D663,304 S \* 7/2012 Akana ..... D14/440
- D665,168 S \* 8/2012 Dawson ..... D3/276
- D673,158 S \* 12/2012 Yang ..... D14/440
- D689,054 S \* 9/2013 Snyder ..... D14/440
- D693,823 S \* 11/2013 Chen ..... D14/440
- D696,669 S \* 12/2013 Akana ..... D14/440
- D700,186 S \* 2/2014 Feng ..... D14/447
- D707,683 S \* 6/2014 Nam-Su ..... D14/440
- D710,857 S \* 8/2014 Mecchella ..... D14/440
- D720,355 S \* 12/2014 Akana ..... D14/440
- D735,205 S \* 7/2015 Akana ..... D14/440
- D792,884 S \* 7/2017 Nyholm ..... D14/440
- D801,343 S \* 10/2017 Akana ..... D14/440
- D817,334 S \* 5/2018 Fenton ..... D14/440
- D823,854 S \* 7/2018 Enqvist ..... D14/440
- D832,856 S \* 11/2018 Jinkinson ..... D14/440
- D864,210 S \* 10/2019 Chan ..... D14/440

(Continued)

**1 Claim, 11 Drawing Sheets**



(56)

**References Cited**

U.S. PATENT DOCUMENTS

D889,474 S *	7/2020	Akana .....	D14/440
D897,349 S *	9/2020	Li .....	D14/440
D898,035 S *	10/2020	Xu .....	D14/440
10,892,625 B1 *	1/2021	Franklin .....	A45C 15/00
D910,640 S	2/2021	Li	
D923,629 S *	6/2021	Ma .....	D14/440
D942,459 S *	2/2022	Akana .....	D14/440

\* cited by examiner

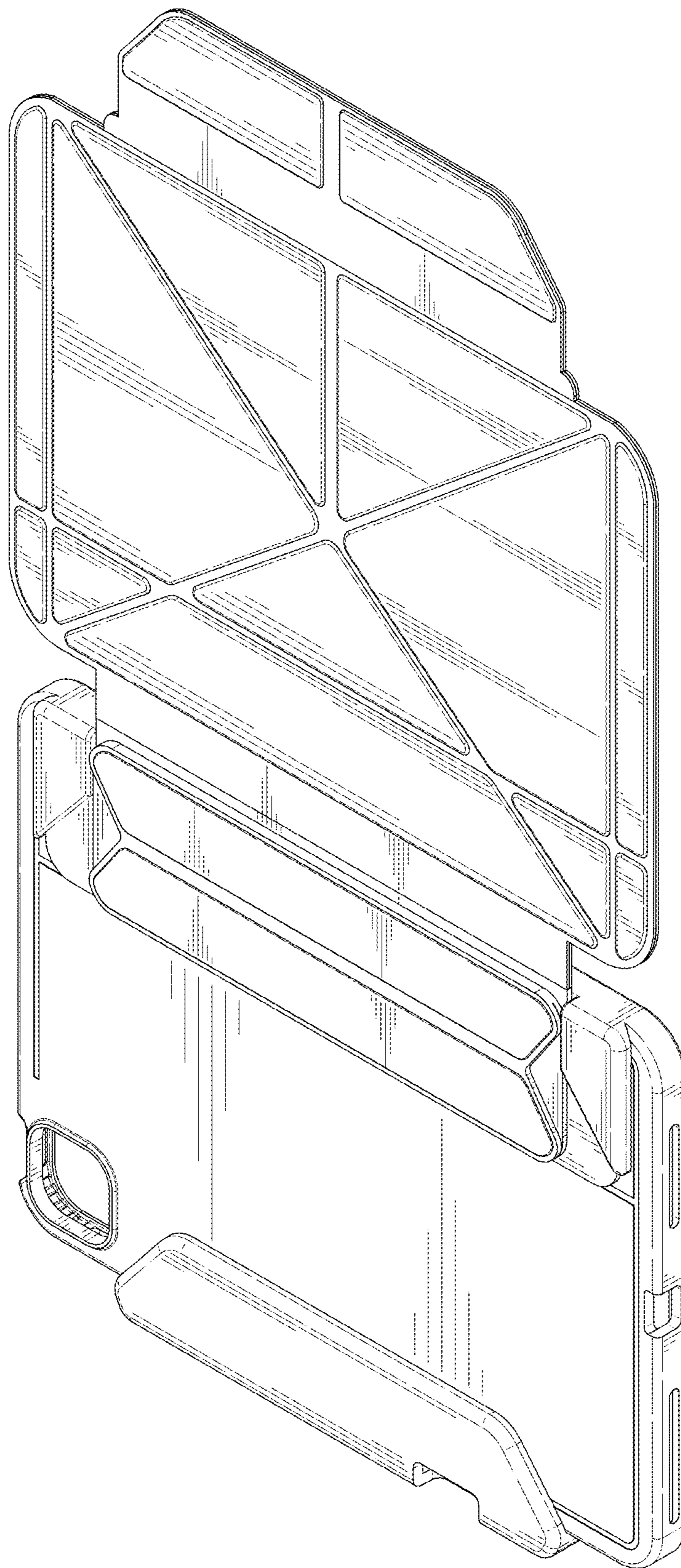


FIG. 1

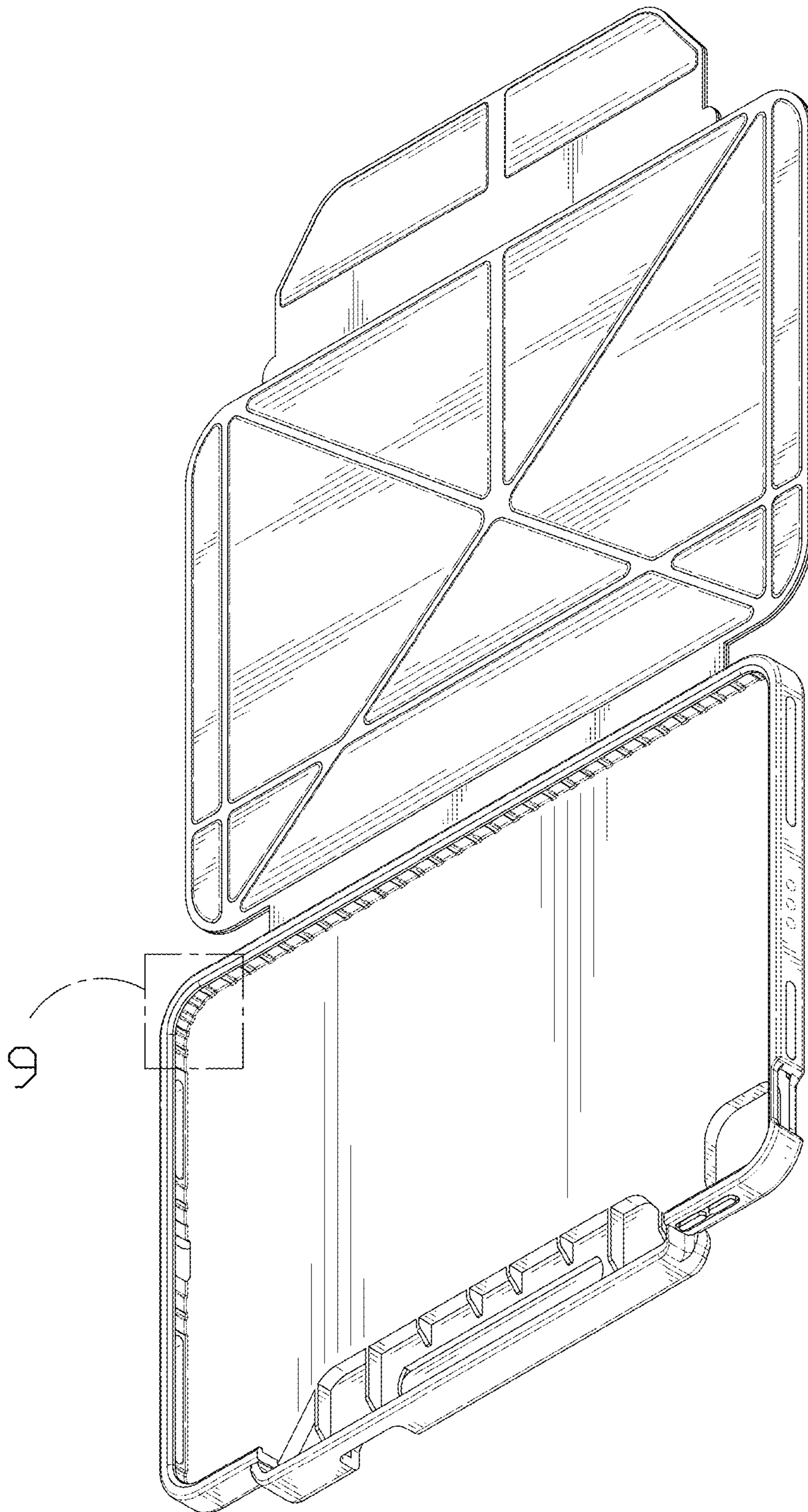


FIG. 2

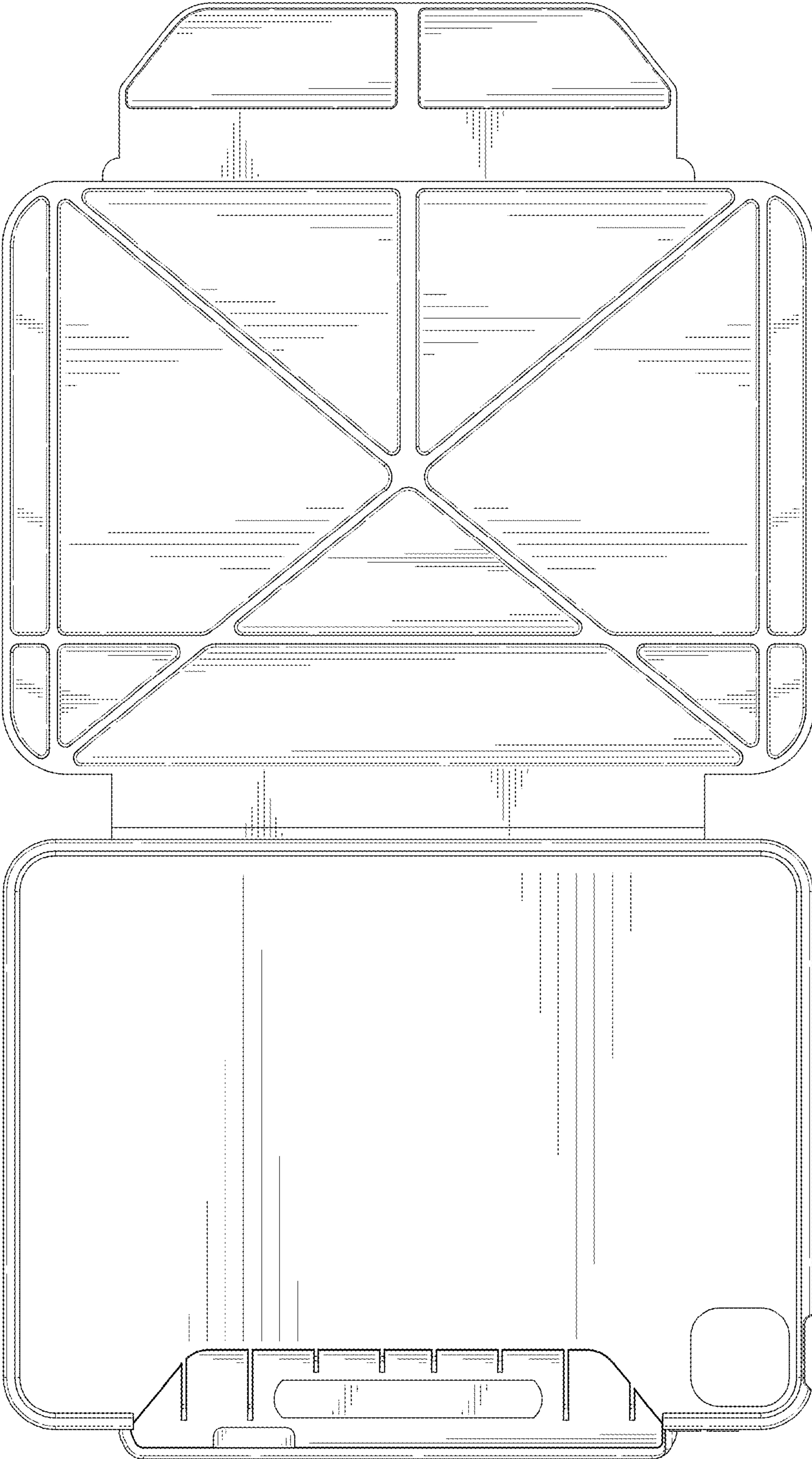


FIG. 3

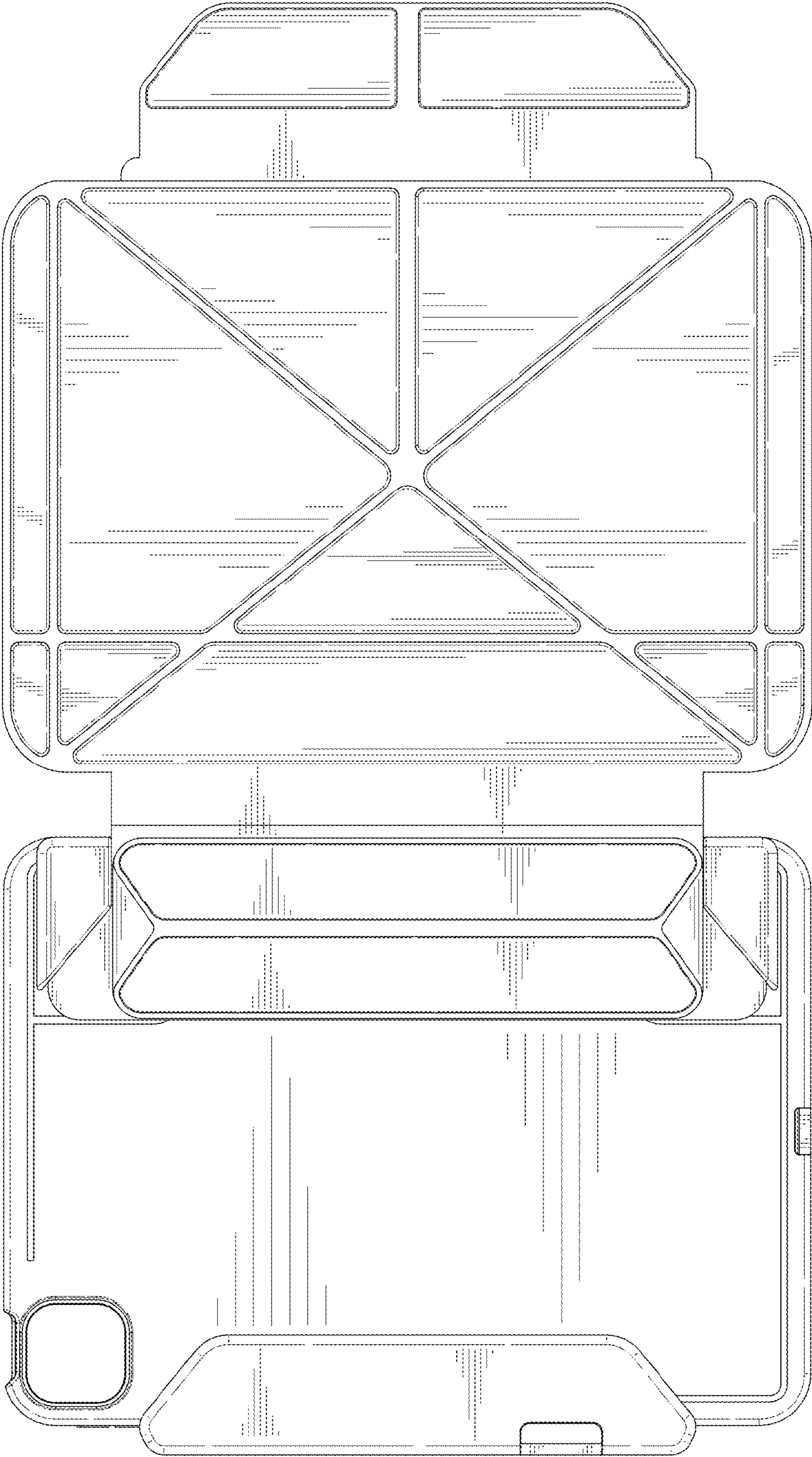


FIG. 4

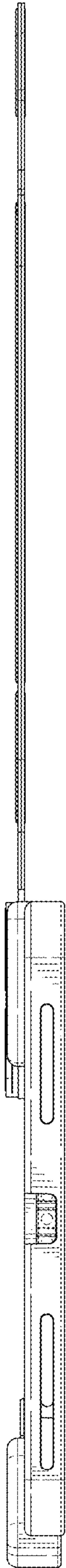


FIG. 5

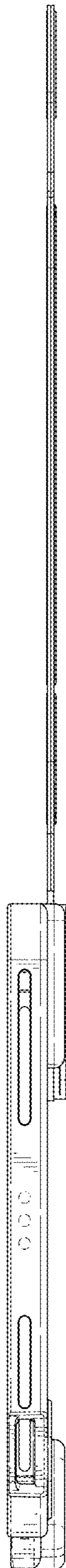


FIG. 6



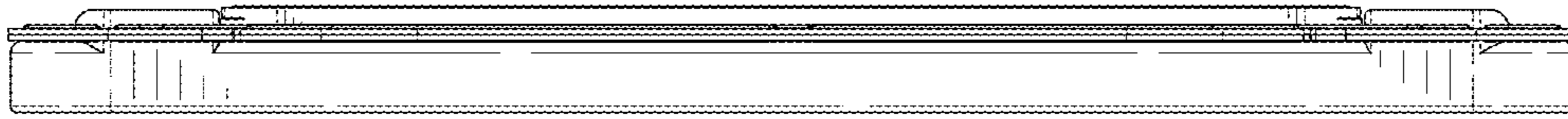


FIG. 7

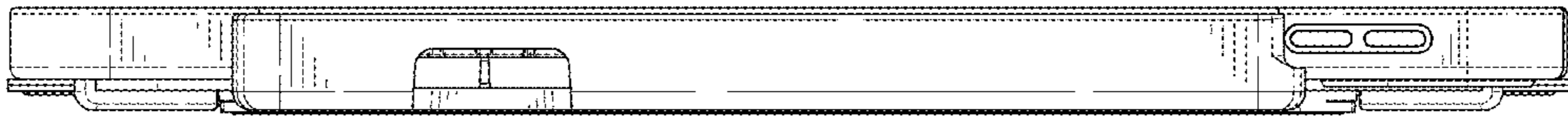


FIG. 8

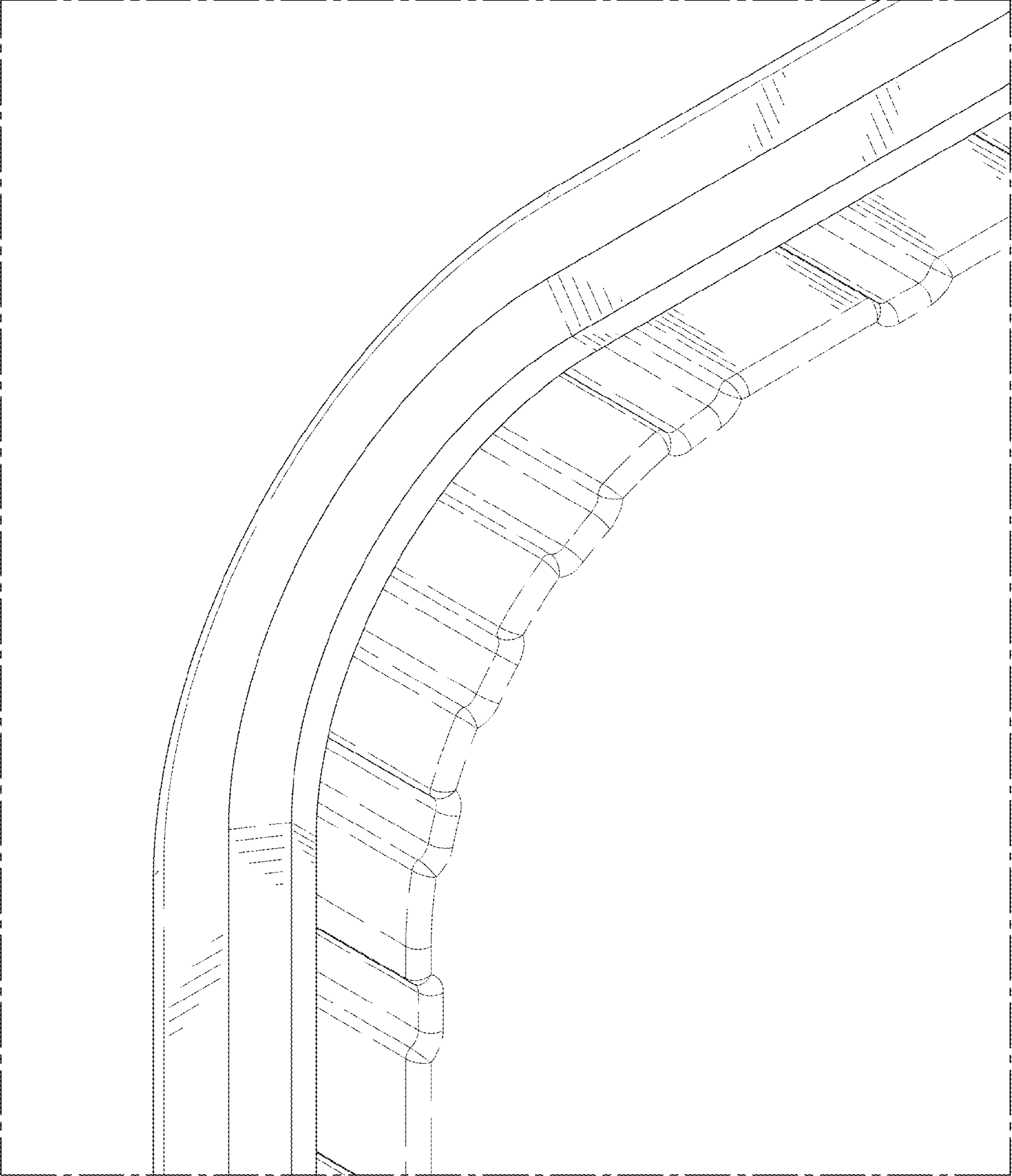


FIG. 9

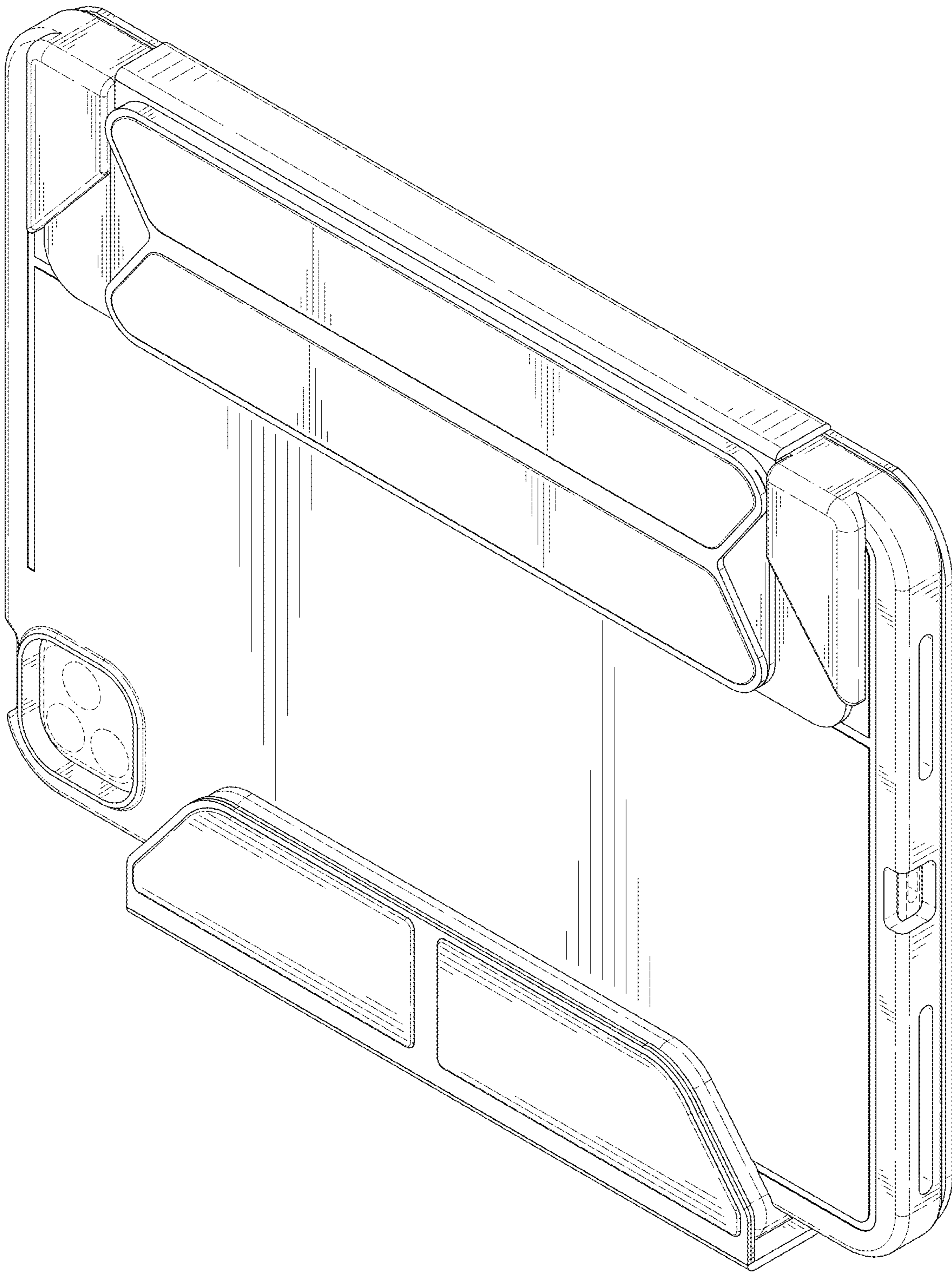


FIG. 10

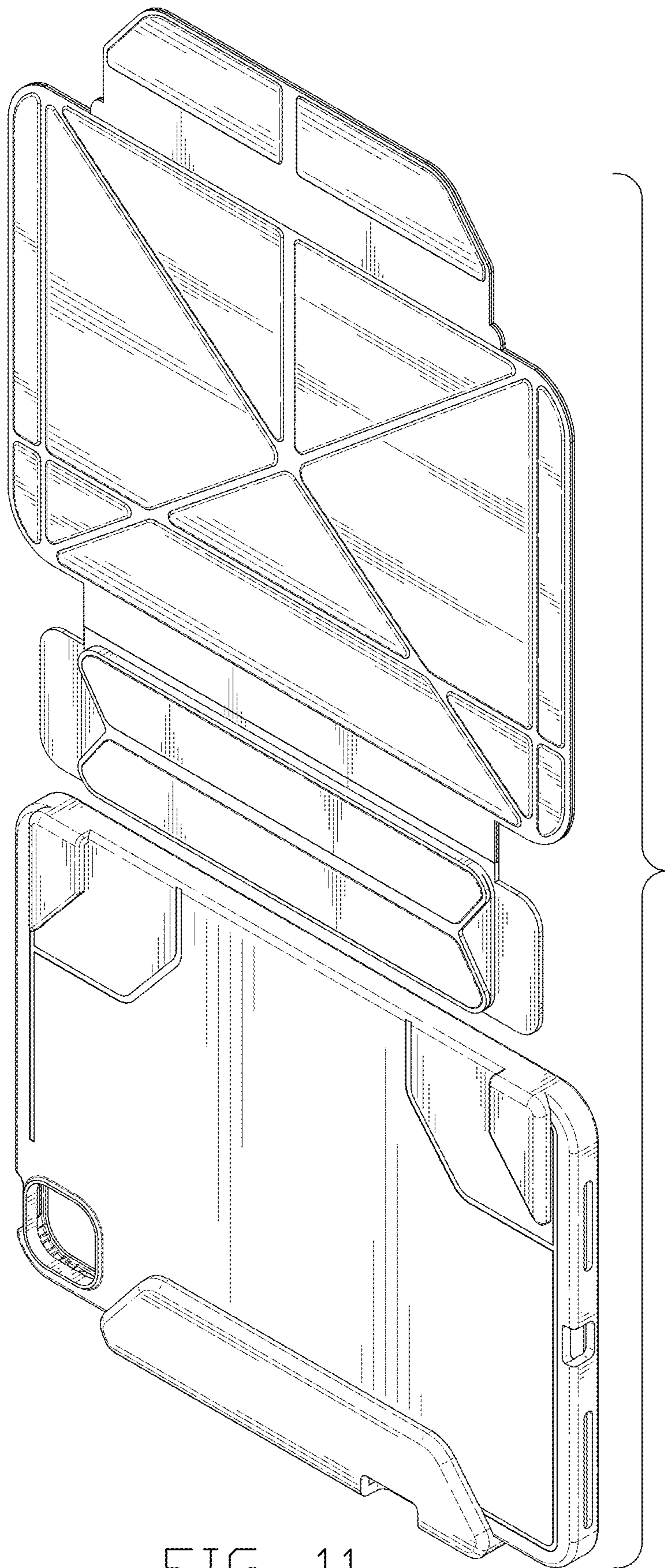


FIG. 11