



US00D965597S

(12) **United States Design Patent** (10) **Patent No.:** **US D965,597 S**
Keogh (45) **Date of Patent:** **** Oct. 4, 2022**

(54) **PROTECTIVE COVER**
(71) Applicant: **ZAGG Intellectual Property Holding Co., Inc.**, Midvale, UT (US)
(72) Inventor: **Dermot Keogh**, Sandy, UT (US)
(73) Assignee: **ZAGG Inc.**, Midvale, UT (US)
(**) Term: **15 Years**
(21) Appl. No.: **29/675,581**
(22) Filed: **Jan. 3, 2019**
(51) **LOC (13) Cl.** **14-02**
(52) **U.S. Cl.**
USPC **D14/432**
(58) **Field of Classification Search**
USPC D14/316-319, 432-439, 442, 451-454,
D14/496, 495, 391, 385, 367, 356;
D8/331, 330; D18/50, 4.6, 4.5; 439/630,
439/635, 639, 160; 360/2; 235/492, 486,
235/479, 380
CPC G06F 1/1643; G06F 1/169; H04B 1/3888
See application file for complete search history.

(56) **References Cited**
U.S. PATENT DOCUMENTS
D811,405 S * 2/2018 Wadsworth D14/432
D811,407 S * 2/2018 Wadsworth D14/432
D811,408 S * 2/2018 Wadsworth D14/432
D812,062 S * 3/2018 MacDonald D14/432

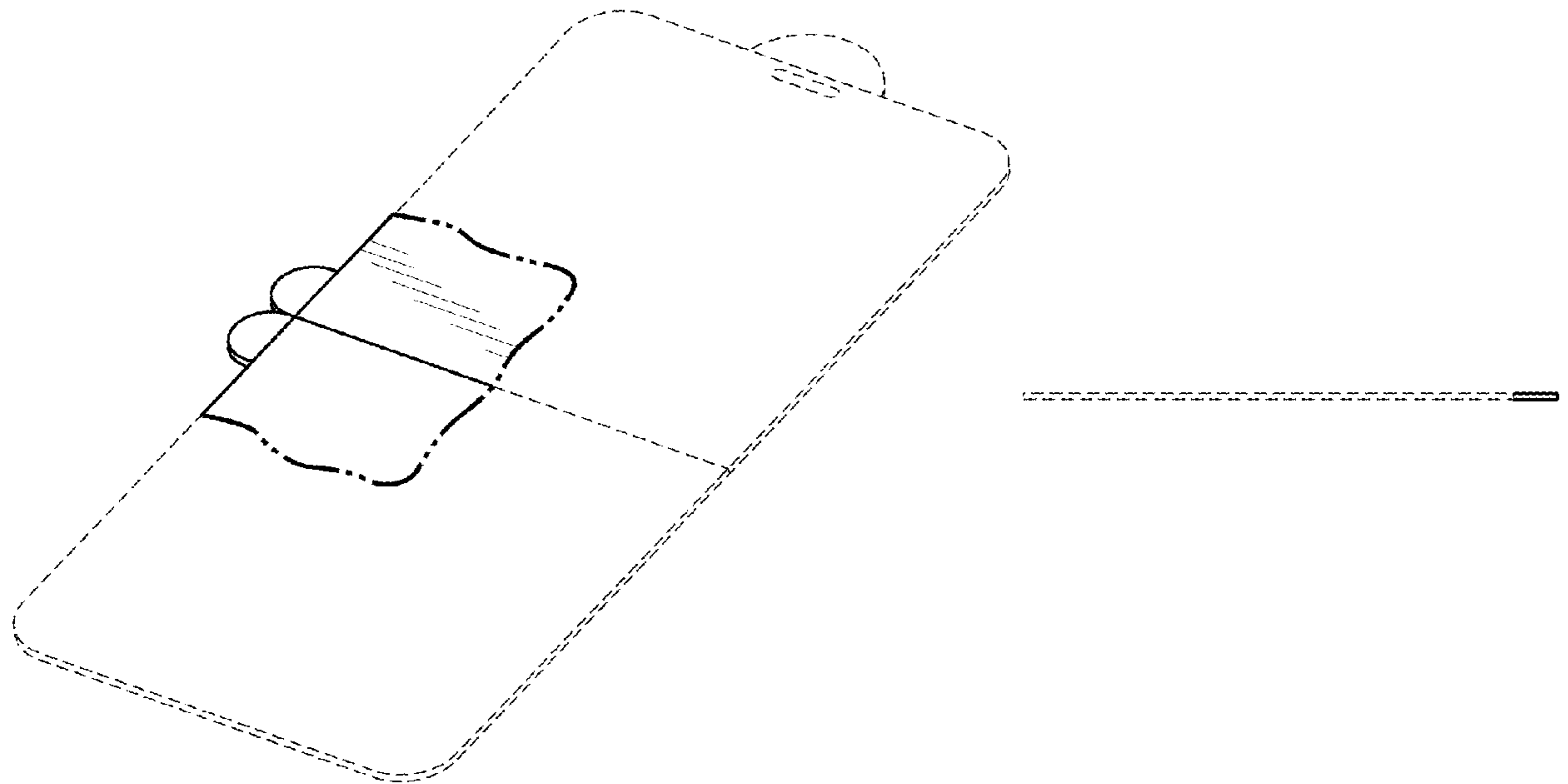
D812,063 S * 3/2018 Lane D14/432
D817,945 S * 5/2018 Wadsworth D14/250
D828,335 S * 9/2018 Lin D14/217
D833,439 S * 11/2018 MacDonald D14/432
D836,115 S * 12/2018 Beaupre D14/432
D844,011 S * 3/2019 Lin D14/440
D856,991 S * 8/2019 Wadsworth D14/432
2009/0314400 A1* 12/2009 Liu A45C 11/00
206/320
2017/0001364 A1* 1/2017 MacDonald B29C 65/7802
* cited by examiner

Primary Examiner — Austin Murphy
(74) *Attorney, Agent, or Firm* — Dentons Durham Jones Pinegar

(57) **CLAIM**
The ornamental design for a protective cover, as shown and described.

DESCRIPTION
FIG. 1 is a perspective view of a design for a protective cover for a portable electronic device;
FIG. 2 is a first end view thereof;
FIG. 3 is a front view thereof;
FIG. 4 is a first side view thereof;
FIG. 5 is a rear view thereof;
FIG. 6 is a second end view thereof; and,
FIG. 7 is a second side view thereof.
Broken lines are used in the drawings to illustrate features that form no part of the claimed design.

1 Claim, 1 Drawing Sheet



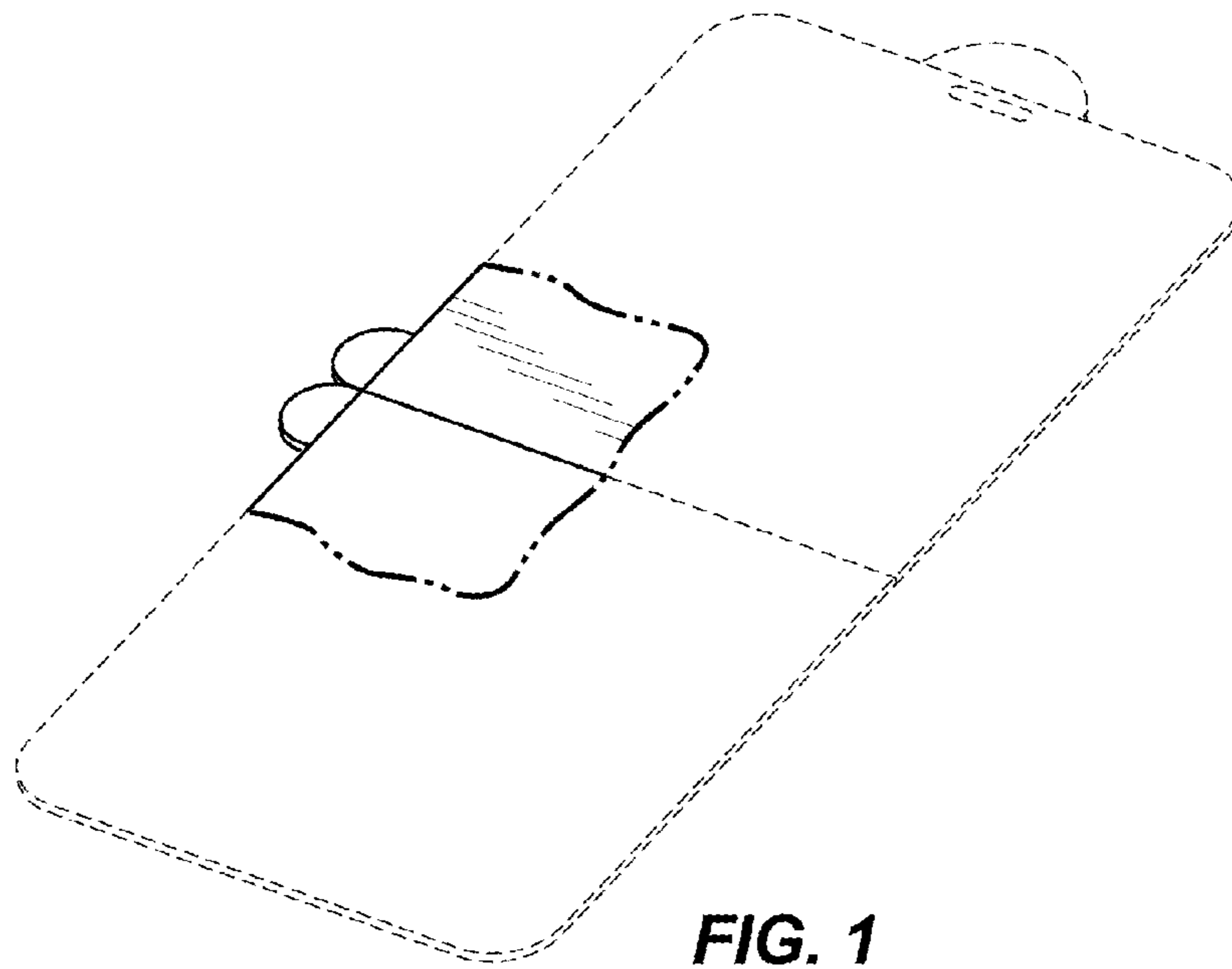


FIG. 1



FIG. 2

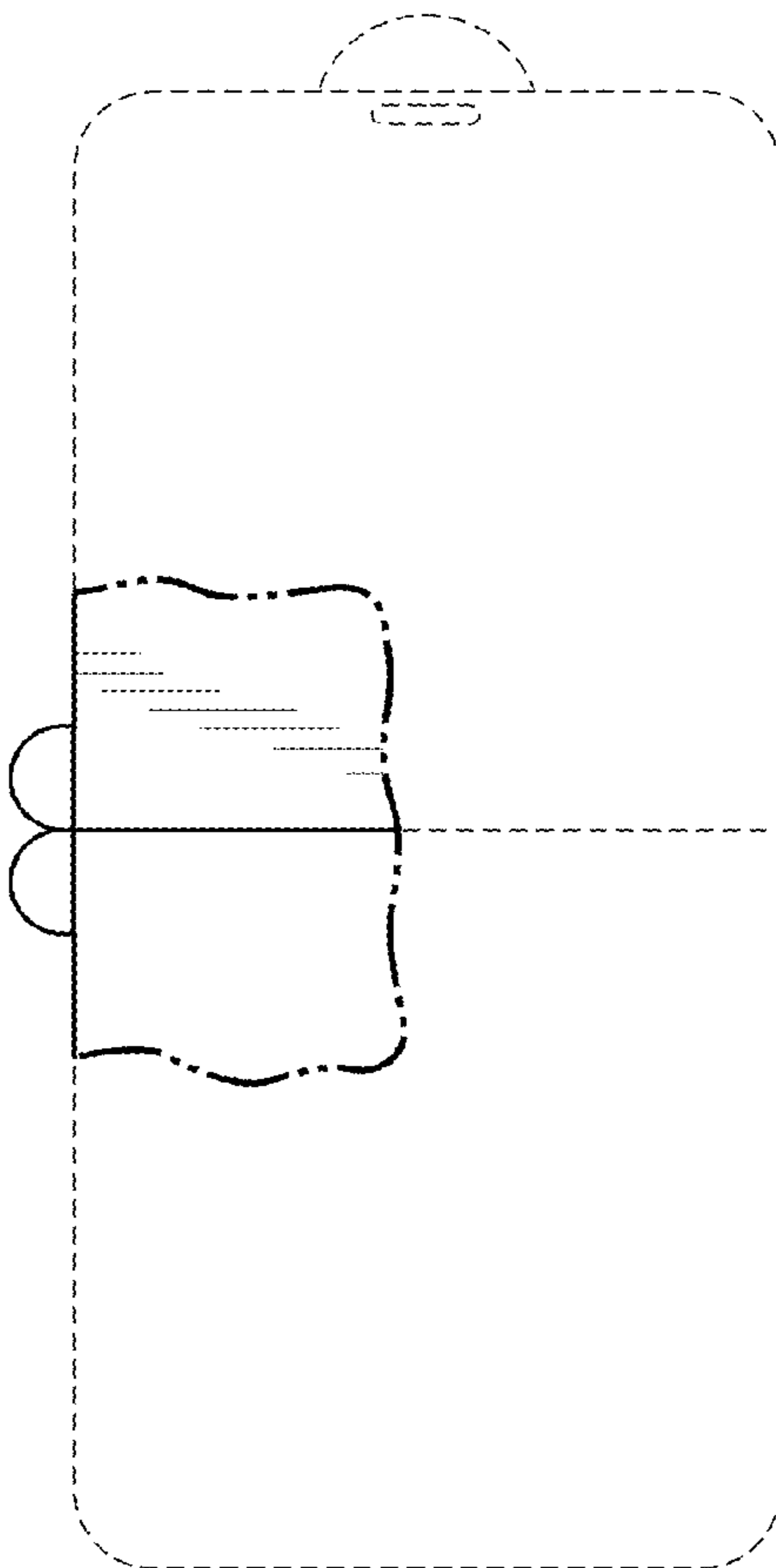


FIG. 3

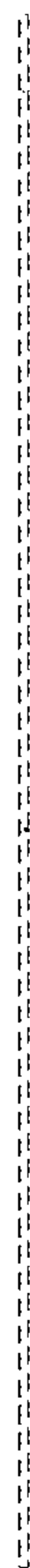


FIG. 4

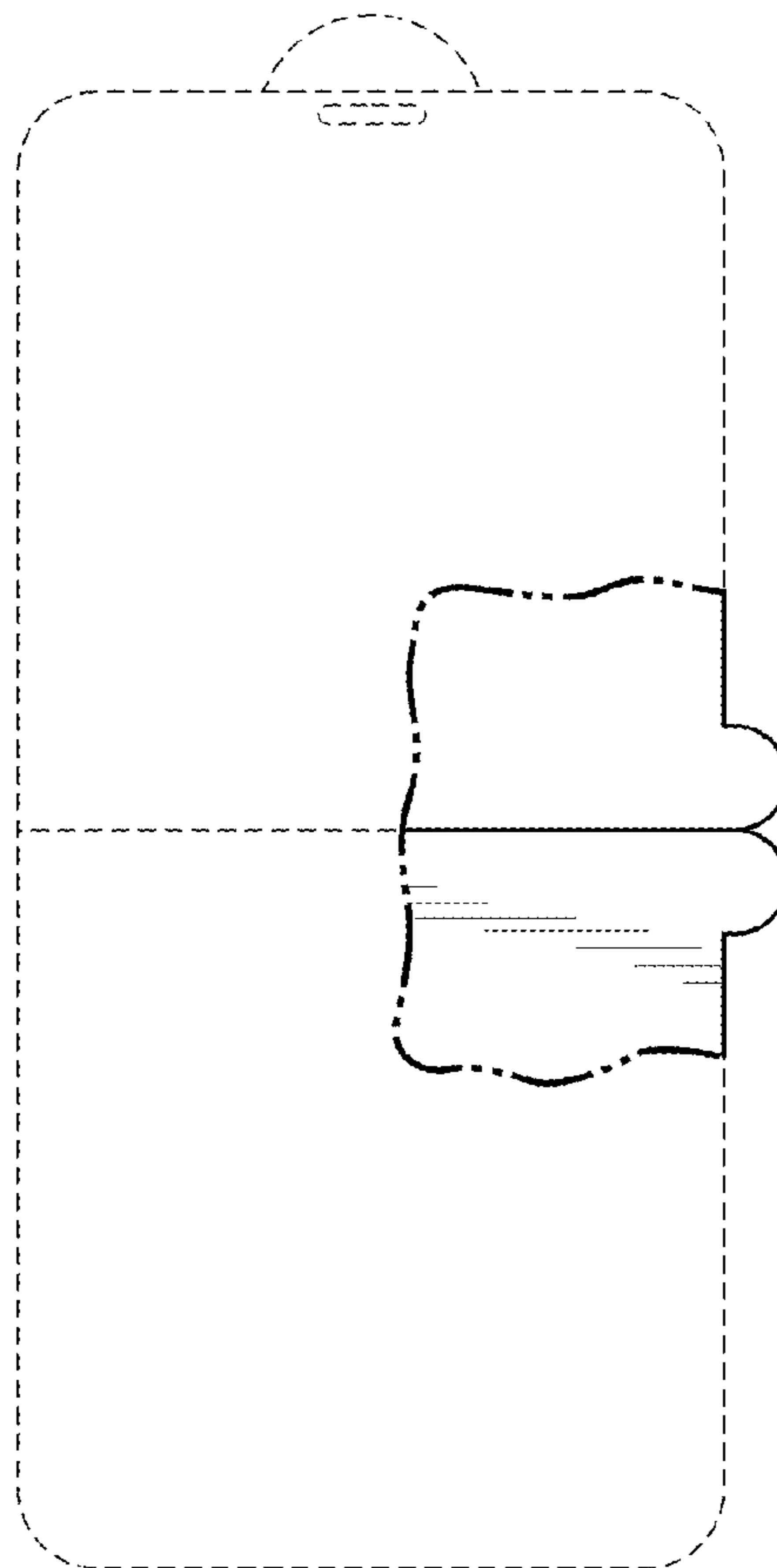


FIG. 5



FIG. 7

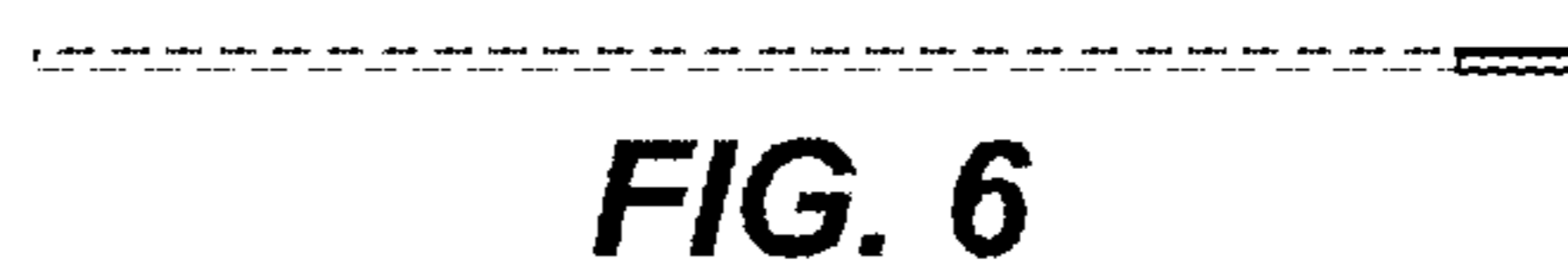


FIG. 6