

US00D965590S

(12) **United States Design Patent** (10) **Patent No.:** **US D965,590 S**  
**Cheng** (45) **Date of Patent:** **\*\* Oct. 4, 2022**

(54) **SMART WATCH**

(71) Applicant: **SHENZHEN BIGGERFIVE TECHNOLOGY CO., LIMITED**, Shenzhen (CN)

(72) Inventor: **Fangchao Cheng**, Shenzhen (CN)

(73) Assignee: **SHENZHEN BIGGERFIVE TECHNOLOGY CO., LIMITED**, Shenzhen (CN)

(\*\*) Term: **15 Years**

(21) Appl. No.: **29/809,823**

(22) Filed: **Sep. 30, 2021**

(30) **Foreign Application Priority Data**

May 25, 2021 (CN) ..... 202130316135.X

(51) **LOC (13) Cl.** ..... **10-02**

(52) **U.S. Cl.**  
USPC ..... **D14/344; D10/38**

(58) **Field of Classification Search**  
USPC ..... **D14/138 R, 344; D10/30-32, 38, 70; D11/3; D24/167**  
CPC ..... **G04G 17/00; G04G 17/045; G04G 17/08; G04G 17/083; G04G 21/00; G04G 21/02; G04G 21/025; G04G 21/06; G04G 21/08; G04G 99/006; G06F 1/163; A44C 5/0007; A44C 5/0015; A44C 5/0046; A44C 5/0053; A44C 5/2052; A44C 5/2071**

See application file for complete search history.

(56) **References Cited**

**U.S. PATENT DOCUMENTS**

D727,196 S \* 4/2015 Tanner ..... D11/3  
D730,347 S \* 5/2015 Jung ..... D14/344  
D731,898 S \* 6/2015 Squires ..... D14/344  
D733,604 S \* 7/2015 Tan ..... D11/3

D765,656 S \* 9/2016 Forakis ..... D10/70  
D779,994 S \* 2/2017 Roberts ..... D16/208  
D784,345 S \* 4/2017 Kwon  
D807,214 S \* 1/2018 Au Yeung ..... D10/70  
D824,899 S \* 8/2018 Yang ..... D14/344  
D860,818 S \* 9/2019 Viry ..... D10/32  
D866,367 S \* 11/2019 Yu ..... D10/70  
D884,695 S \* 5/2020 Jones ..... D14/344  
D887,287 S \* 6/2020 Kong ..... D14/344  
D901,493 S \* 11/2020 Gao  
D903,663 S \* 12/2020 Jones ..... D14/344  
D922,883 S \* 6/2021 Tabbah ..... D10/32  
D931,853 S \* 9/2021 Xu ..... D14/344

(Continued)

**OTHER PUBLICATIONS**

M3 Intelligence Bluetooth Health Wrist Smart Band Watch Monitor/Smart Bracelet, www.youtube.com, Jan. 5, 2019. <https://www.youtube.com/watch?v=FpvJVRAUmsl> (Year: 2019).\*

(Continued)

*Primary Examiner* — Llorelys Martinez  
*Assistant Examiner* — Kwabena A. Ankobiah

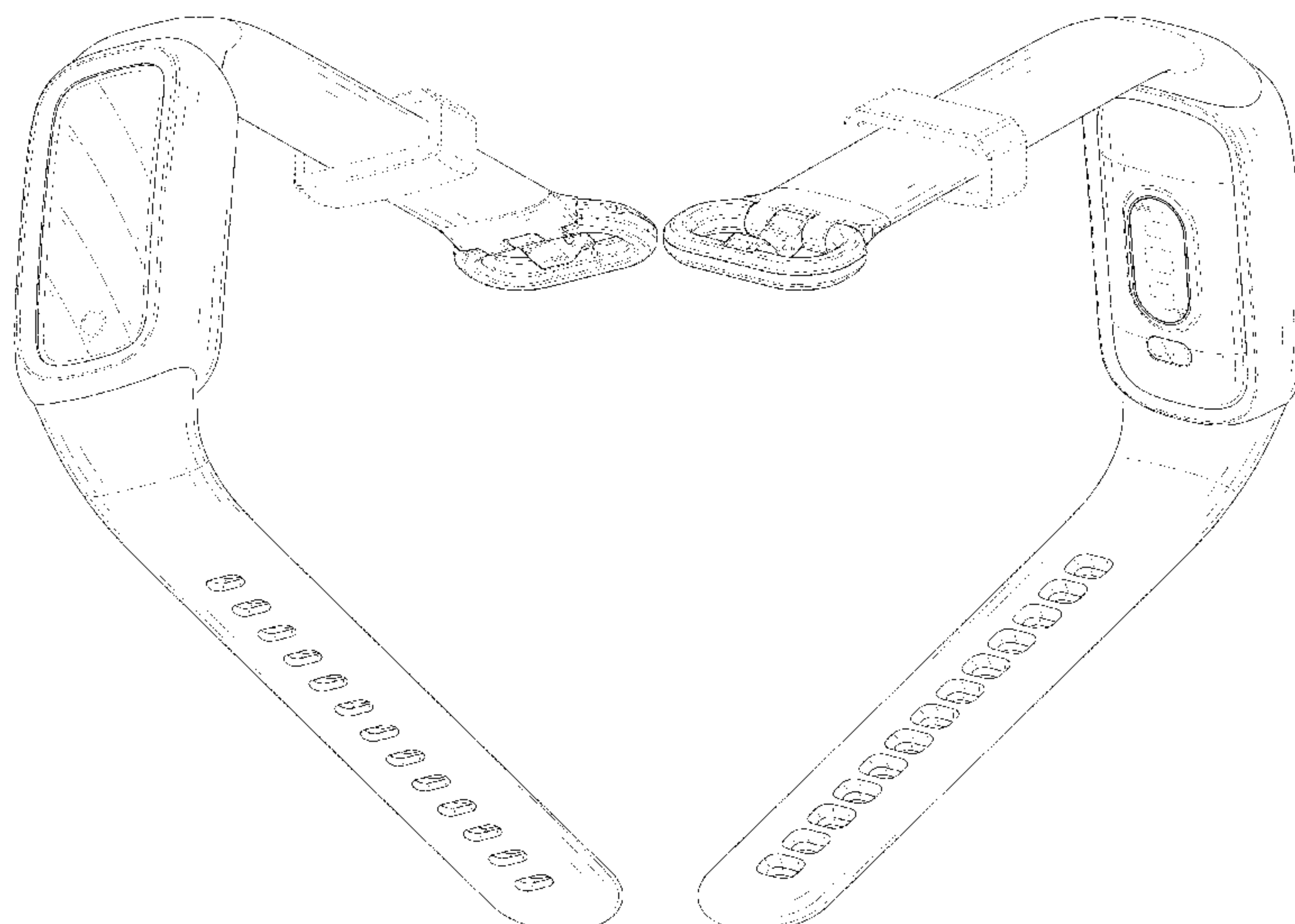
(57) **CLAIM**

The ornamental design for a smart watch, as shown and described.

**DESCRIPTION**

FIG. 1 is a perspective view of a smart watch showing my new design;  
FIG. 2 is another perspective view thereof;  
FIG. 3 is a front elevational view thereof;  
FIG. 4 is a rear elevational view thereof;  
FIG. 5 is a left side elevational view thereof;  
FIG. 6 is a right side elevational view thereof;  
FIG. 7 is a top plan view thereof; and,  
FIG. 8 is a bottom plan view thereof.  
The broken lines in the drawings depict portions of the smart watch that form no part of the claimed design.

**1 Claim, 8 Drawing Sheets**



(56)

**References Cited**

U.S. PATENT DOCUMENTS

D933,651 S \* 10/2021 Cheng ..... D14/344  
D937,418 S \* 11/2021 Byler ..... D24/167  
D958,139 S \* 7/2022 Cheng ..... G06F 1/1681  
D14/344  
2016/0062410 A1\* 3/2016 Ko ..... G06F 1/1681  
361/679.03

OTHER PUBLICATIONS

BIGGERFIVE Kids Fitness Tracker, [www.amazon.com](http://www.amazon.com), Jul. 14, 2020. <https://www.amazon.com/dp/B08CXVCZJZ> (Year: 2020).\*

BIGGERFIVE Kids Fitness Tracker Watch for Girls Boys Age 5-12, [www.amazon.com](http://www.amazon.com), Sep. 17, 2021. <https://www.amazon.com/dp/B09GK4WXJH> (Year: 2021).\*

Fitbit Ace 3 Activity Tracker for Kids 6+ One Size, [www.amazon.com](http://www.amazon.com), Mar. 9, 2021. <https://www.amazon.com/dp/B08VKX27ZV> (Year: 2021).\*

\* cited by examiner

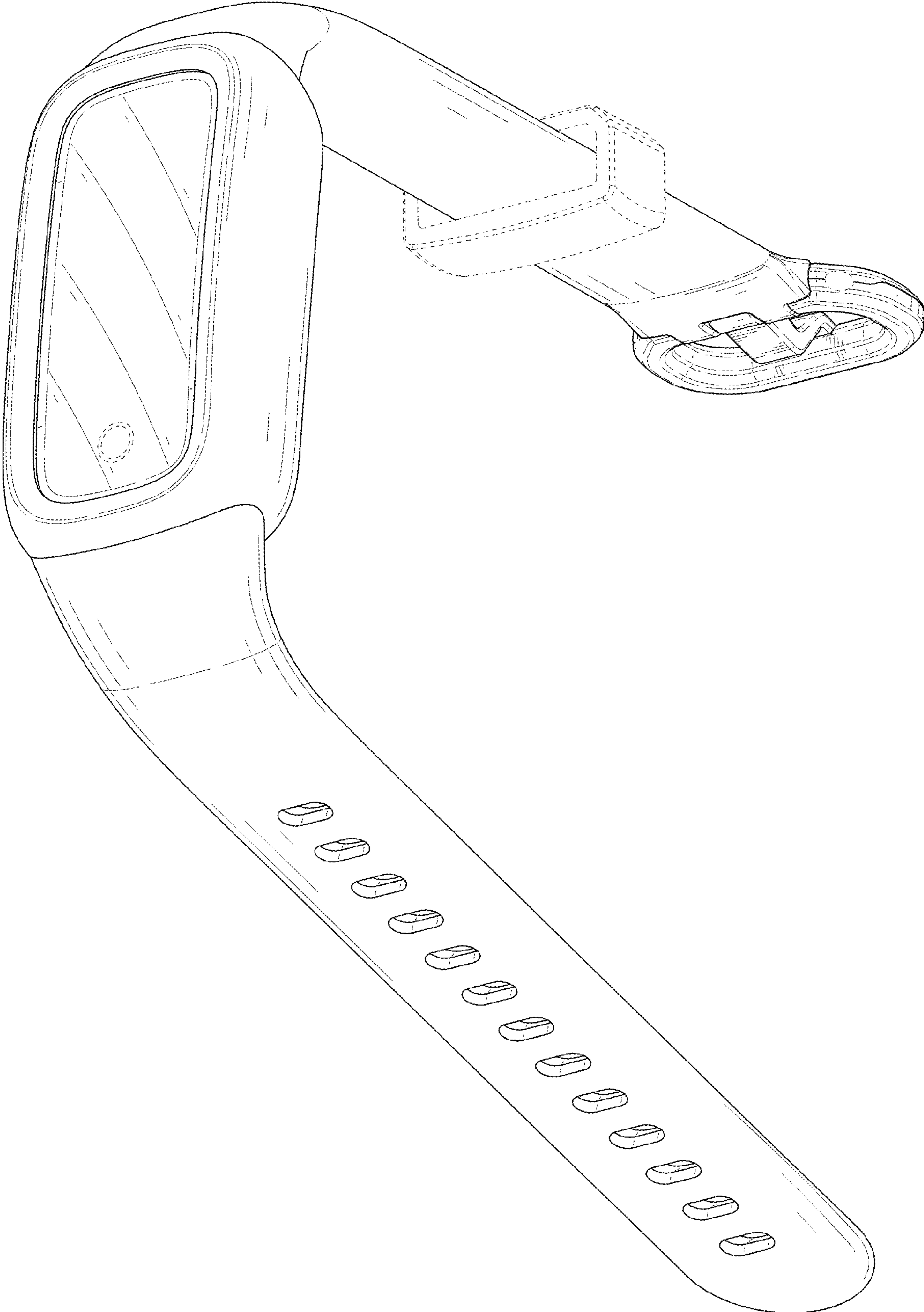


FIG. 1

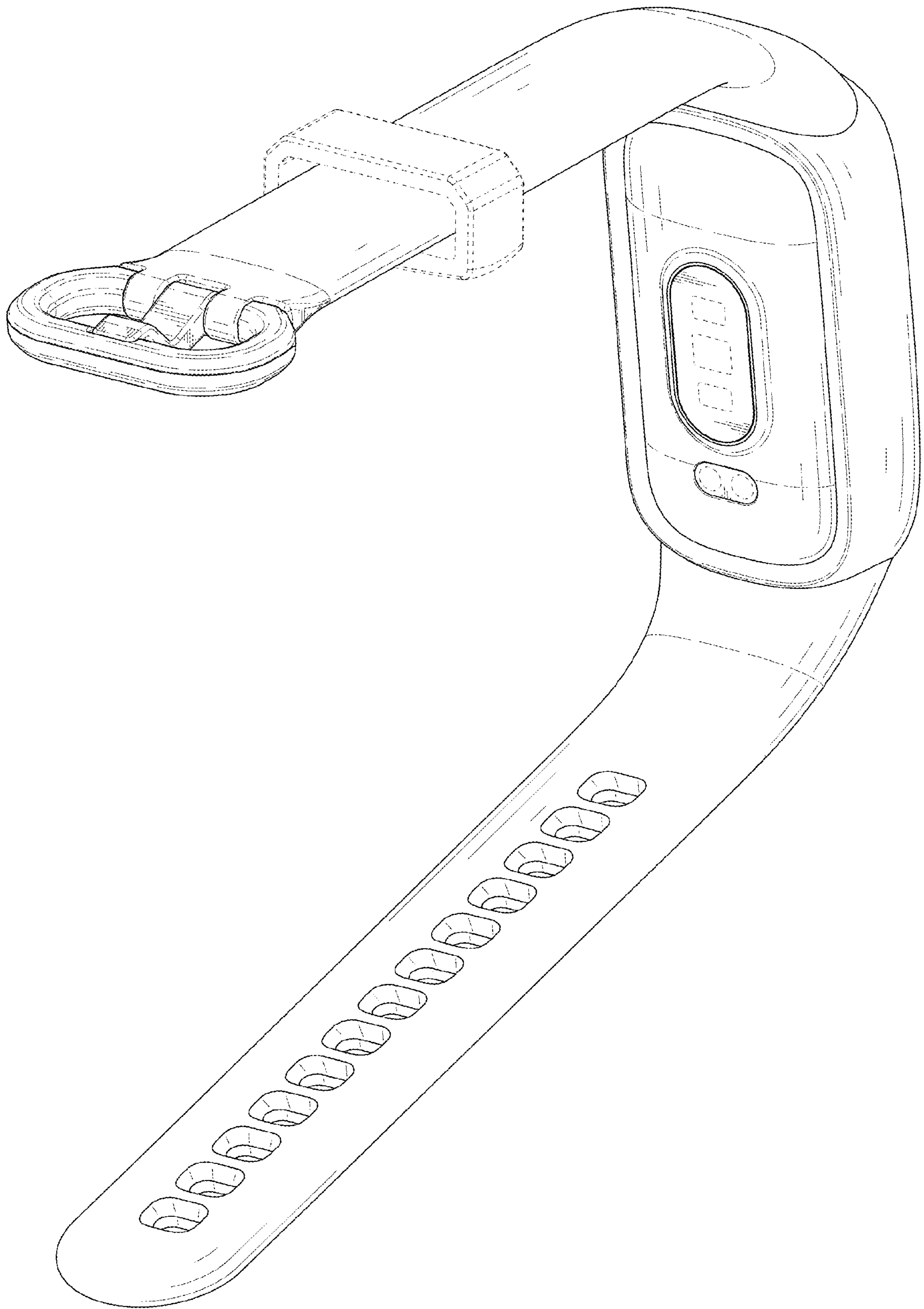


FIG. 2



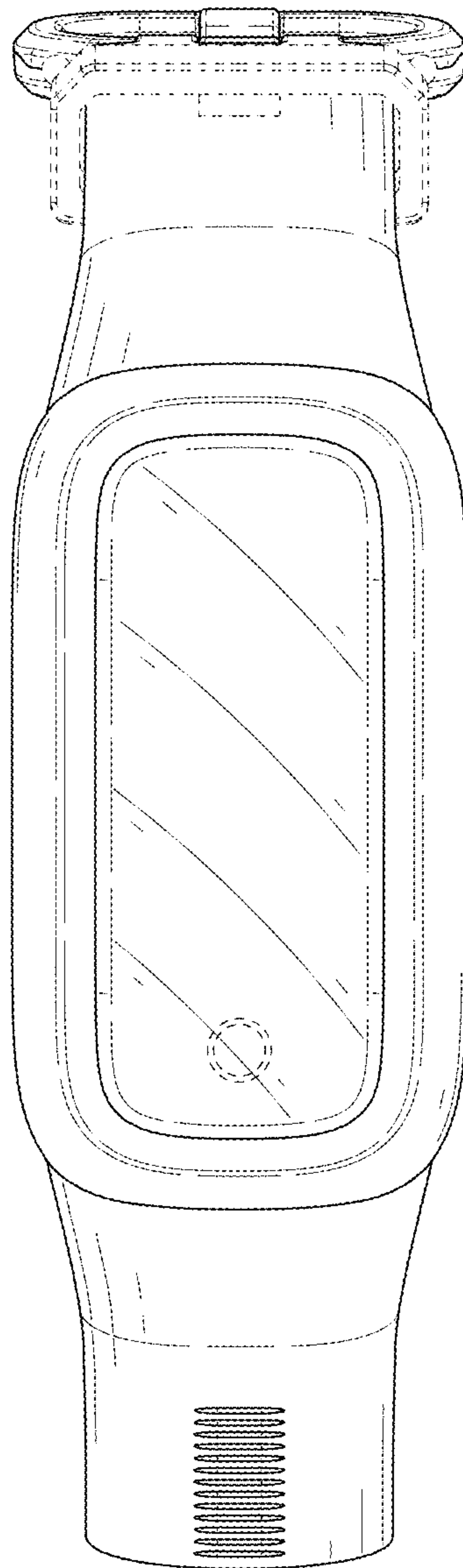


FIG. 3

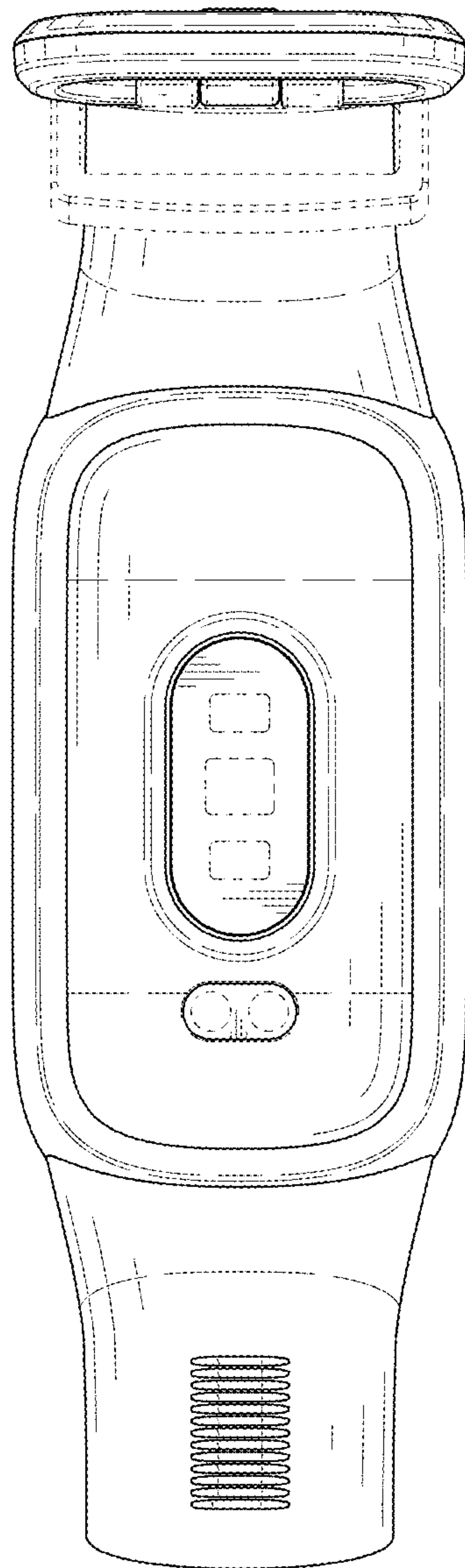


FIG. 4

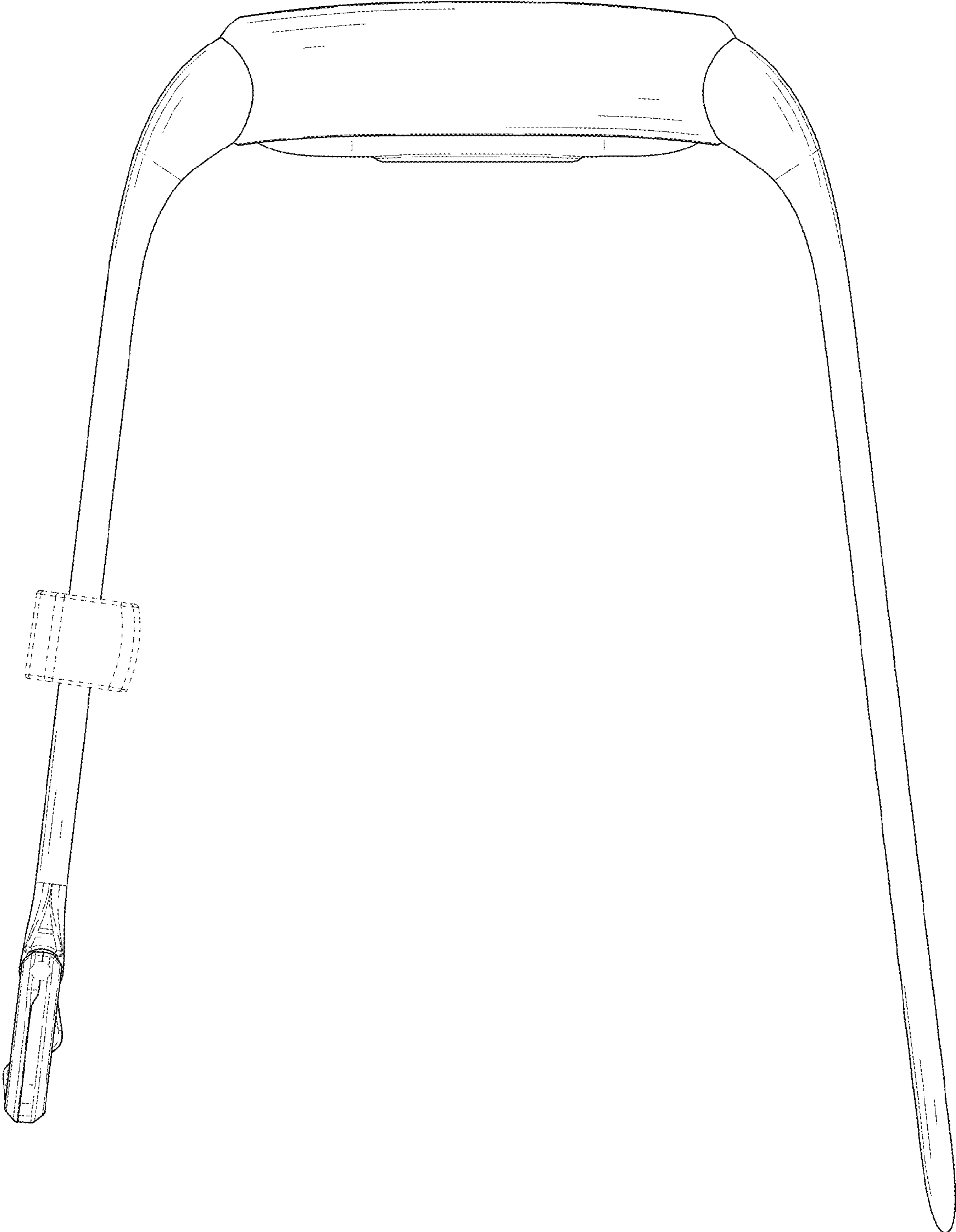


FIG. 5

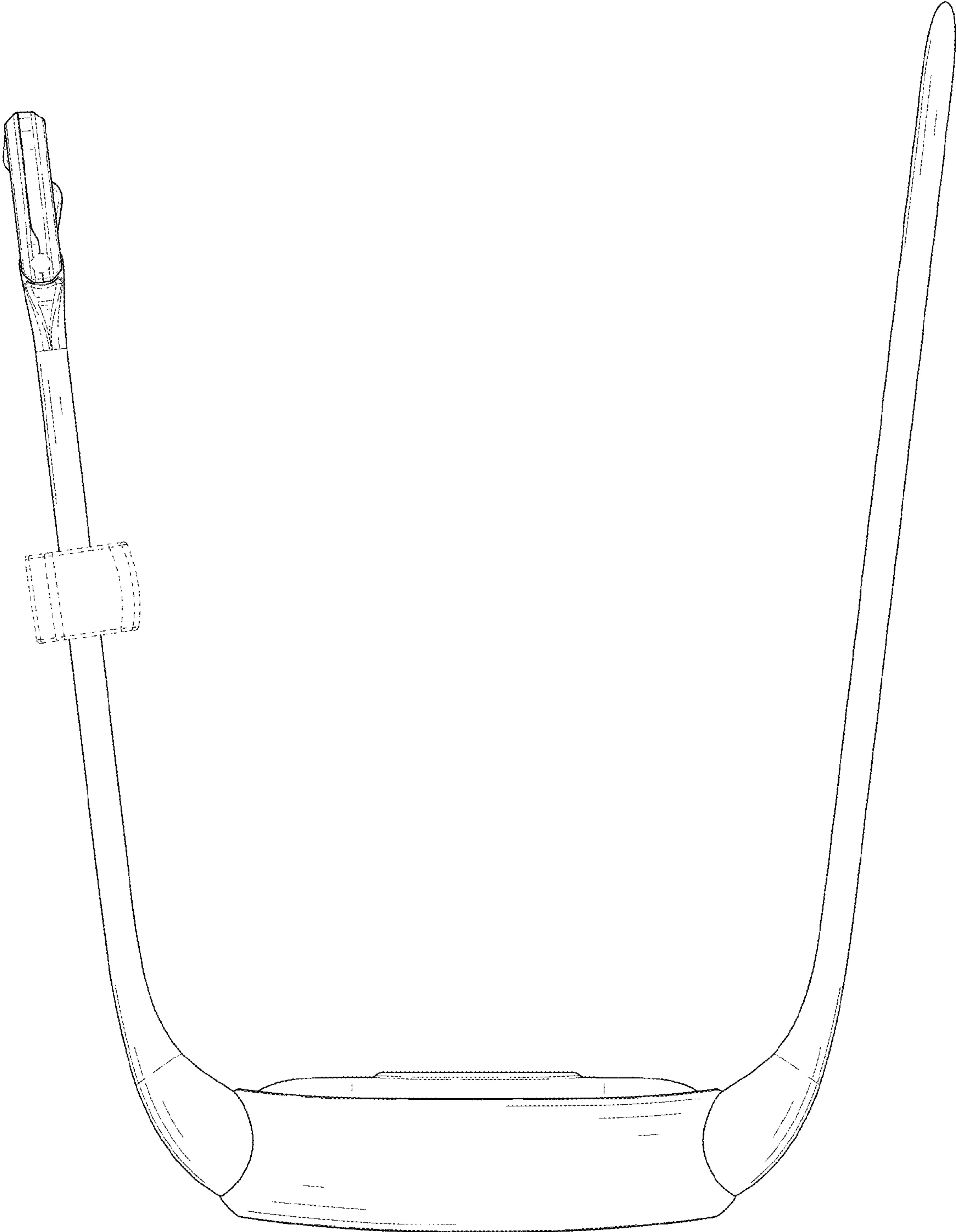


FIG. 6



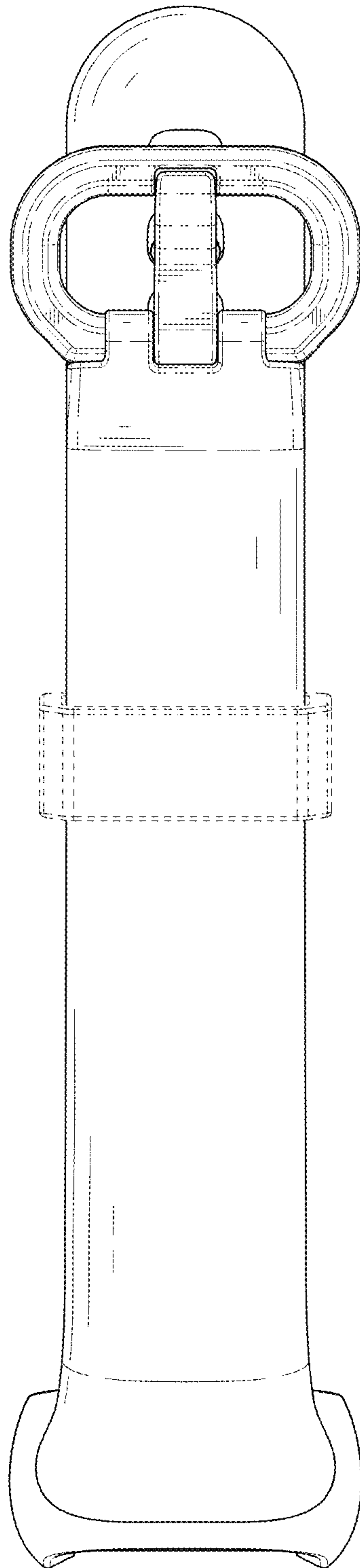


FIG. 7

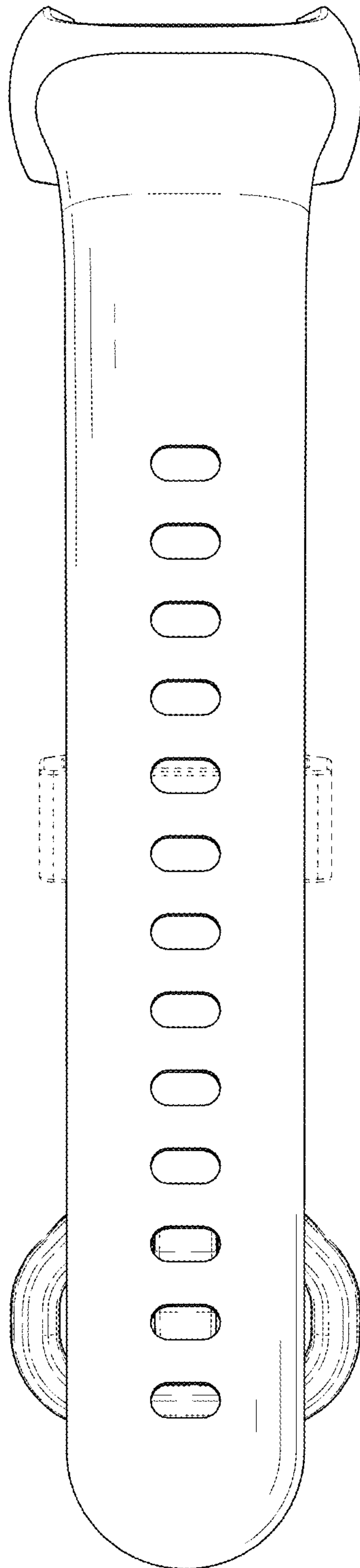


FIG. 8