



US00D965586S

(12) **United States Design Patent**
Liu et al.

(10) **Patent No.:** **US D965,586 S**
(45) **Date of Patent:** **** *Oct. 4, 2022**

(54) **NOTEBOOK COMPUTER WITH LIFTABLE DISPLAY**

(71) Applicant: **COMPAL ELECTRONICS, INC.**,
Taipei (TW)

(72) Inventors: **Han-Tsai Liu**, Taipei (TW);
Jyh-Chyang Tzou, Taipei (TW); **Hsin Yeh**,
Taipei (TW); **Yao-Hsien Yang**, Taipei (TW);
Cheng-Ya Chi, Taipei (TW)

(73) Assignee: **COMPAL ELECTRONICS, INC.**,
Taipei (TW)

(*) Notice: This patent is subject to a terminal disclaimer.

(**) Term: **15 Years**

(21) Appl. No.: **29/675,886**

(22) Filed: **Jan. 7, 2019**

(51) **LOC (13) Cl.** **14-02**

(52) **U.S. Cl.**
USPC **D14/315**

(58) **Field of Classification Search**
USPC D14/315, 325-326, 374, 434, 138 AB,
D14/203.4, 203.8, 345-346, 420,
(Continued)

(56) **References Cited**

U.S. PATENT DOCUMENTS

D206,853 S * 2/1967 Slaton D20/15
3,364,603 A * 1/1968 Tate, Jr. G09F 3/18
40/642.02

(Continued)

FOREIGN PATENT DOCUMENTS

CN 305092706 * 4/2019
CN 305446946 * 11/2019

OTHER PUBLICATIONS

Gemini Gaming Laptop, Compal, ifworlddesignguide.com, author unlisted, published on Apr. 8, 2020 per wayback machine © 2021 iF Design, online, site visited Jan. 25, 2021. Available at URL: <https://ifworlddesignguide.com/entry/271034-gemini> (Year: 2020).*

(Continued)

Primary Examiner — Sandra Snapp

Assistant Examiner — Altaira J Swangin

(74) *Attorney, Agent, or Firm* — JCIPRNET

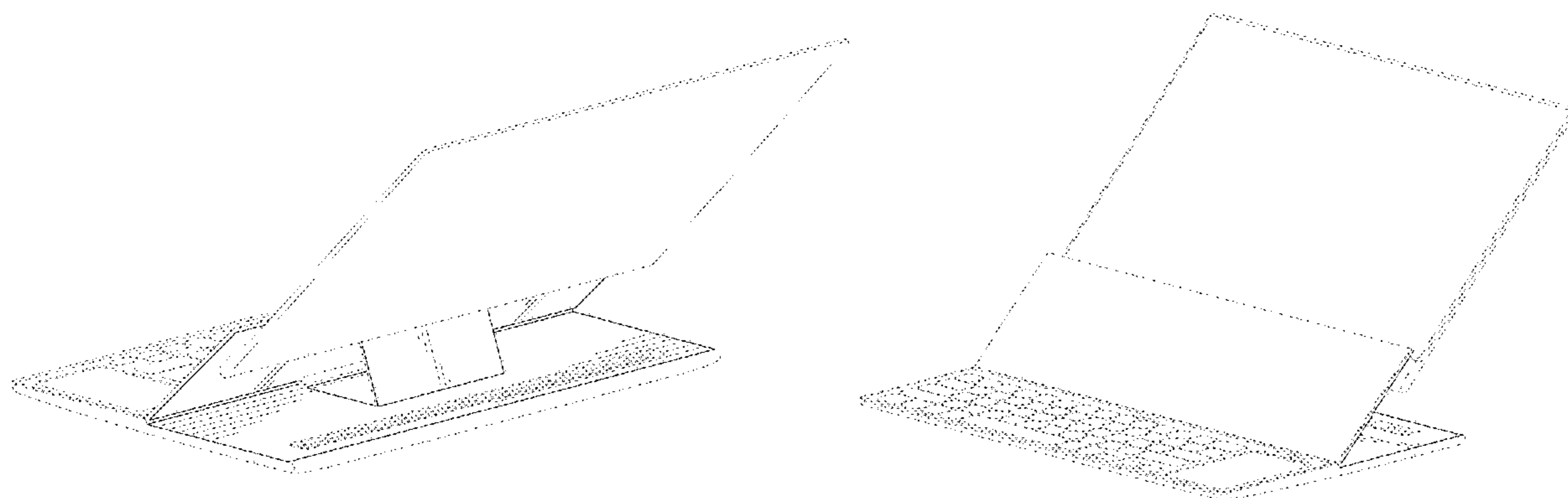
(57) **CLAIM**

The ornamental design for a notebook computer with lifttable display, as shown and described.

DESCRIPTION

FIG. 1 is a perspective view of a notebook computer with lifttable display showing our new design in a partially opened state of use;
FIG. 2 is another perspective view;
FIG. 3 is a front view thereof;
FIG. 4 is a rear view thereof;
FIG. 5 is a left side view thereof;
FIG. 6 is a right side view thereof;
FIG. 7 is a top view thereof;
FIG. 8 is a bottom view thereof;
FIG. 9 is a perspective view thereof in another partially opened state of use;
FIG. 10 is left side view thereof;
FIG. 11 is a perspective view thereof in another partially opened state of use;
FIG. 12 is another perspective view thereof; and,
FIG. 13 is a perspective view thereof in a closed state of use.
The dashed broken lines illustrate portions of the notebook computer with lifttable display and form no part of the claimed design.

1 Claim, 13 Drawing Sheets



(58) **Field of Classification Search**

USPC D14/424-425, 501; D12/192; D20/15,
D20/22, 27, 35, 40, 42
CPC .. G09G 3/2092; H04M 1/0216; H04M 1/022;
H04M 1/0268; G09F 9/301
See application file for complete search history.

(56) **References Cited**

U.S. PATENT DOCUMENTS

D292,710 S * 11/1987 Woods 283/58
5,092,775 A * 3/1992 Wolf G06F 3/0224
428/187
5,373,863 A * 12/1994 Prizio A01M 31/025
135/117
6,341,061 B1 * 1/2002 Eisbach G06F 1/166
345/905
D500,813 S * 1/2005 Alegre D20/42
7,948,744 B2 * 5/2011 Bishop H04N 5/64
361/679.27
D639,802 S * 6/2011 Brooks D14/315
D678,877 S * 3/2013 Groene D14/341
D703,200 S * 4/2014 Chan D14/315
D706,761 S * 6/2014 Lee D14/315
D707,222 S * 6/2014 Lee D14/315
D712,867 S * 9/2014 Vats D14/138 AB
D727,310 S * 4/2015 Senatori D14/315
D777,069 S * 1/2017 Ahn D12/192
D783,598 S * 4/2017 Bai D14/315
D783,599 S * 4/2017 Bai D14/315
D795,771 S * 8/2017 Bae D12/192
D795,772 S * 8/2017 Bae D12/192
D797,628 S * 9/2017 Lee D12/191
D820,801 S * 6/2018 Yeom D14/138 AB
D833,351 S * 11/2018 Kosinski, II D12/192
D834,009 S * 11/2018 Itou D14/248
D844,595 S * 4/2019 Kikuchi D14/248

D845,947 S * 4/2019 Raken D14/341
D855,056 S * 7/2019 Raken D14/439
D858,638 S * 9/2019 Kwon D20/10
D872,077 S * 1/2020 Raken D14/341
D888,709 S * 6/2020 Kang D14/327
D898,737 S * 10/2020 Chen D14/345
10,795,416 B2 * 10/2020 Schmelzle E05D 11/0054
D920,969 S * 6/2021 Tzou D14/315
D922,996 S * 6/2021 Chen D14/315
D923,011 S * 6/2021 Cheng D14/440
D923,617 S * 6/2021 Wu D14/315
D926,183 S * 7/2021 Lim D14/345
D934,854 S * 11/2021 Chu D14/315
D942,443 S * 2/2022 Liu D14/315
D947,173 S * 3/2022 Yang D14/374
2007/0097014 A1 * 5/2007 Solomon G06F 1/1662
345/1.1
2013/0031289 A1 * 1/2013 Yeh G06F 1/1632
710/303
2016/0134322 A1 * 5/2016 Lee H04B 1/3877
455/575.3
2017/0201607 A1 * 7/2017 Xu H04M 1/0216
2017/0287385 A1 * 10/2017 Lian H04M 1/0216
2019/0278322 A1 * 9/2019 Huang G06F 1/1616
2020/0081506 A1 * 3/2020 Morino G06F 1/1616
2020/0356259 A1 * 11/2020 Mori G09G 5/14
2020/0363839 A1 * 11/2020 Liu G06F 1/1654
2021/0173438 A1 * 6/2021 Lee G06F 3/1423
2021/0216106 A1 * 7/2021 Soh G06F 1/1652
2021/0297563 A1 * 9/2021 Manea H04N 5/2257

OTHER PUBLICATIONS

Honeycomb Glacier Dual Screen Laptop, Intel, thegadgetflow.com, author unlisted, published on May 31, 2019 © 2020 Gadget Flow, Inc., online, site visited Jan. 25, 2021. Available at URL: <https://thegadgetflow.com/portfolio/intel-honeycomb-glacier/> (Year: 2019).*

* cited by examiner

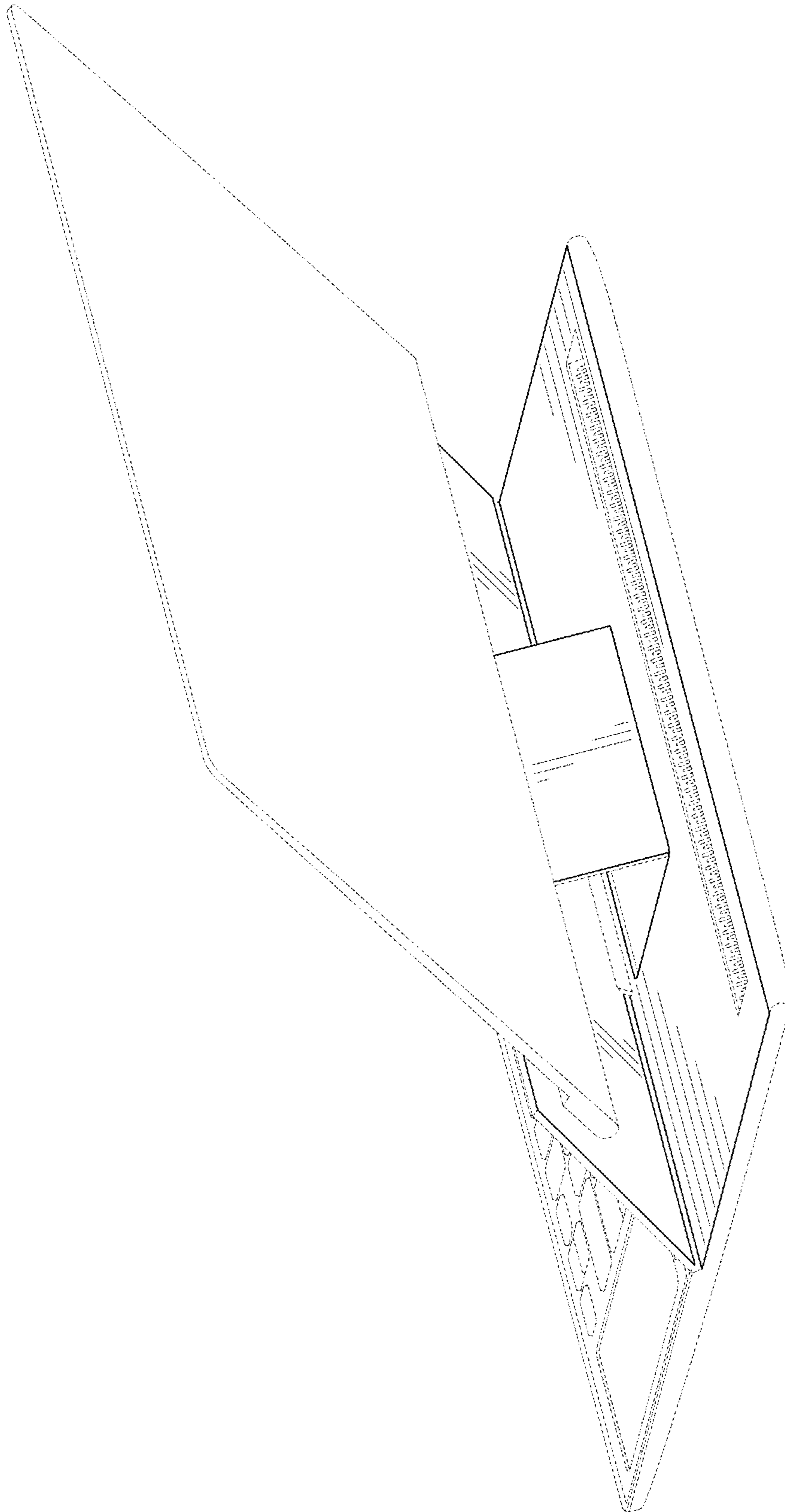


FIG. 1

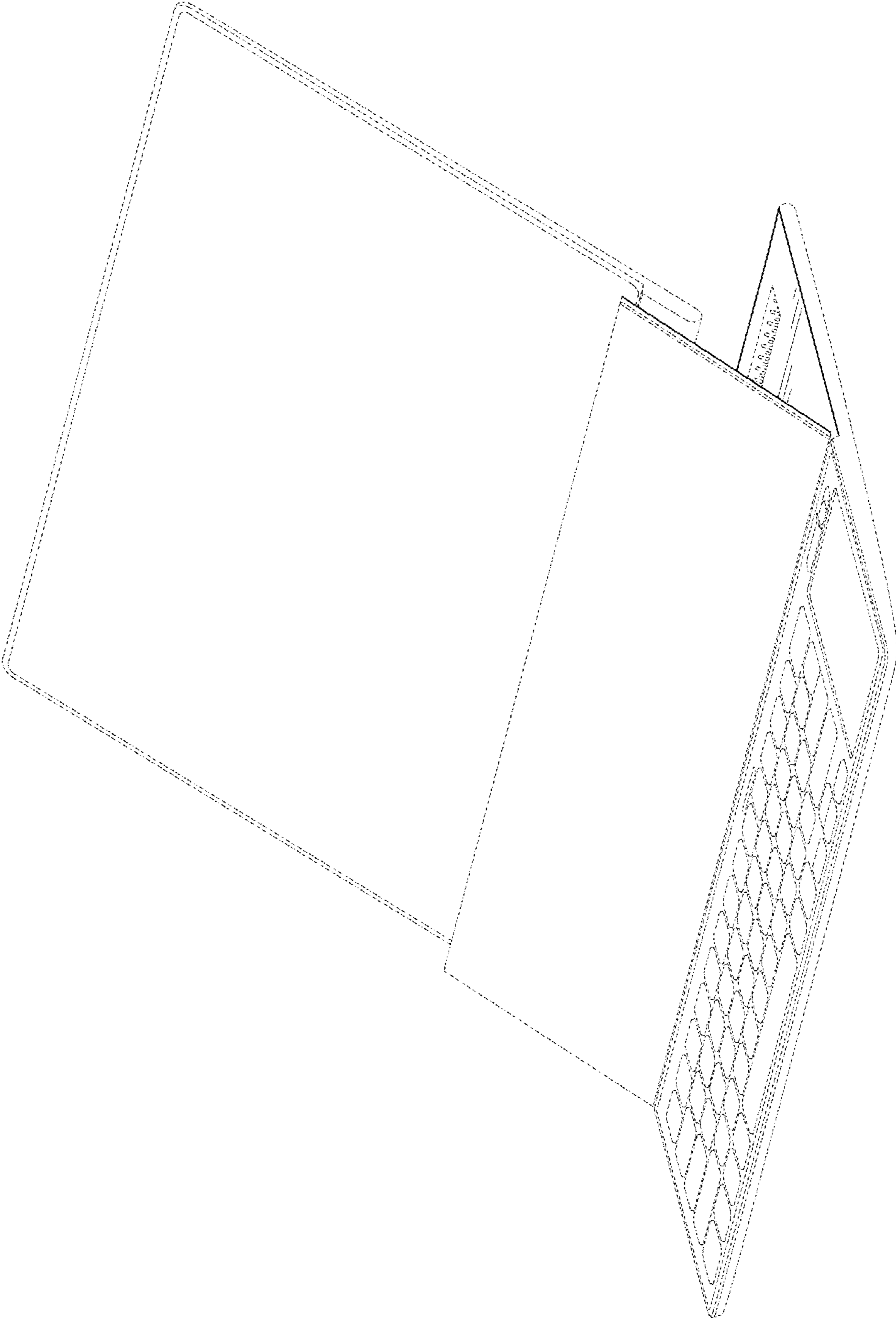


FIG. 2

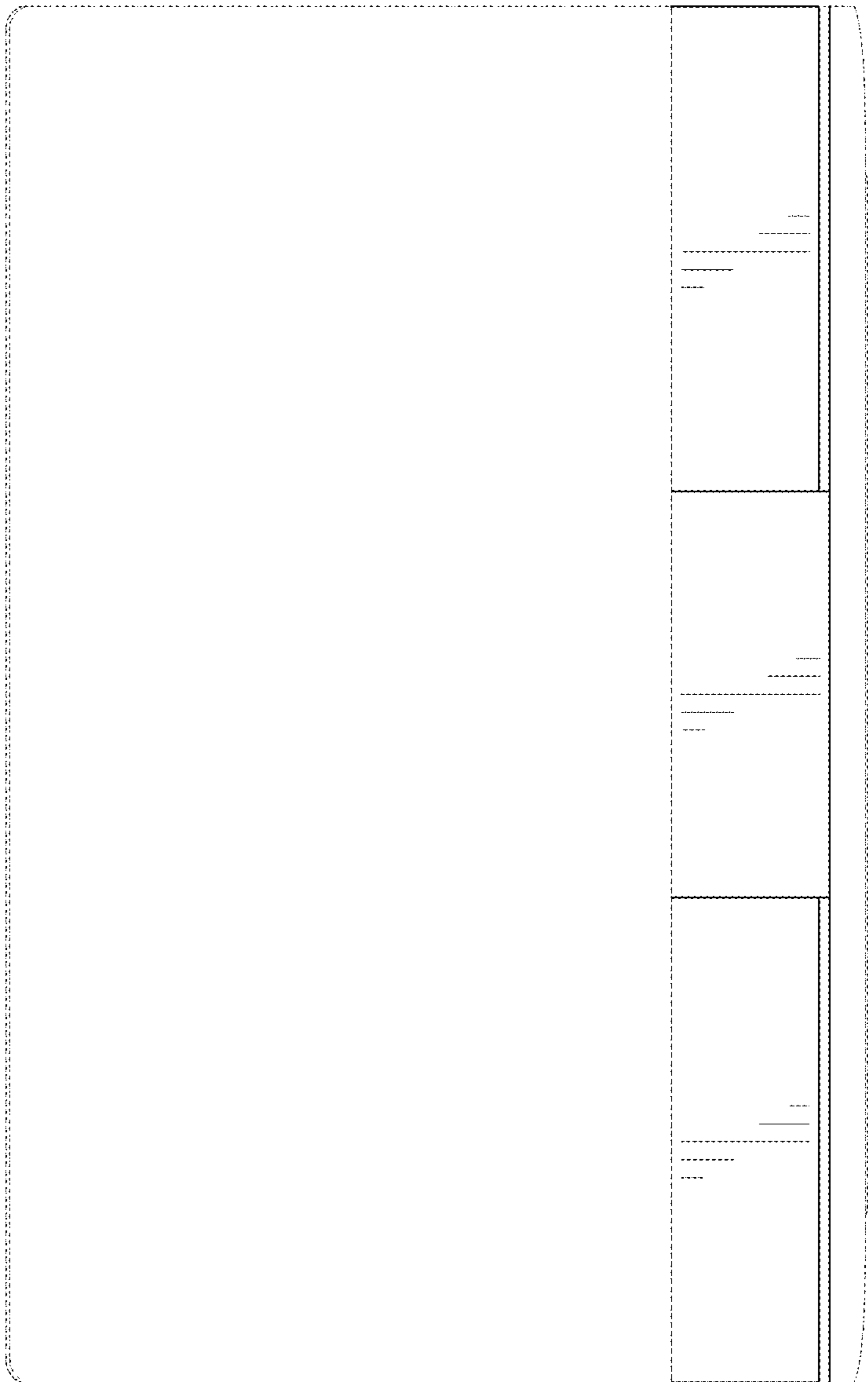


FIG. 3

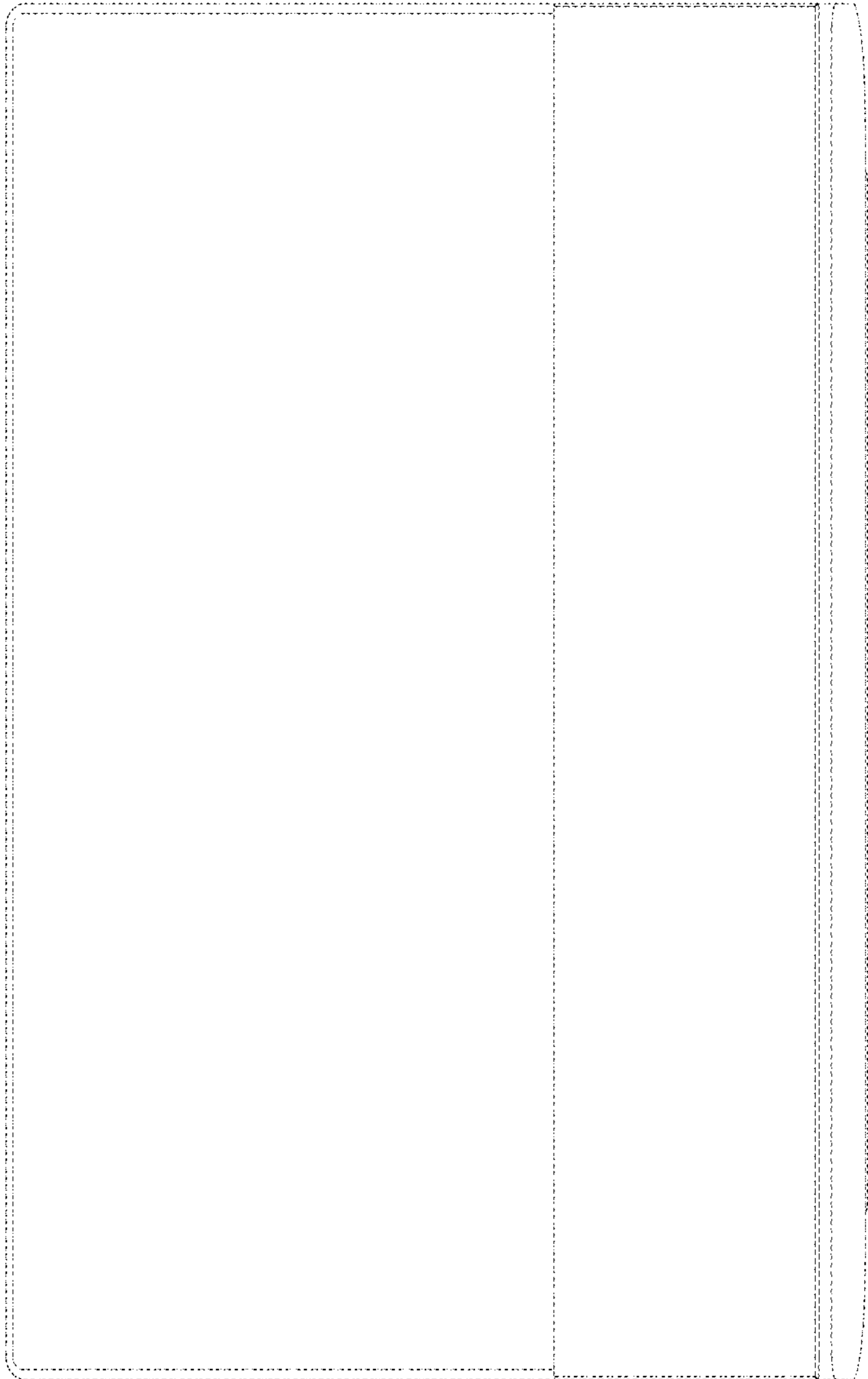


FIG. 4

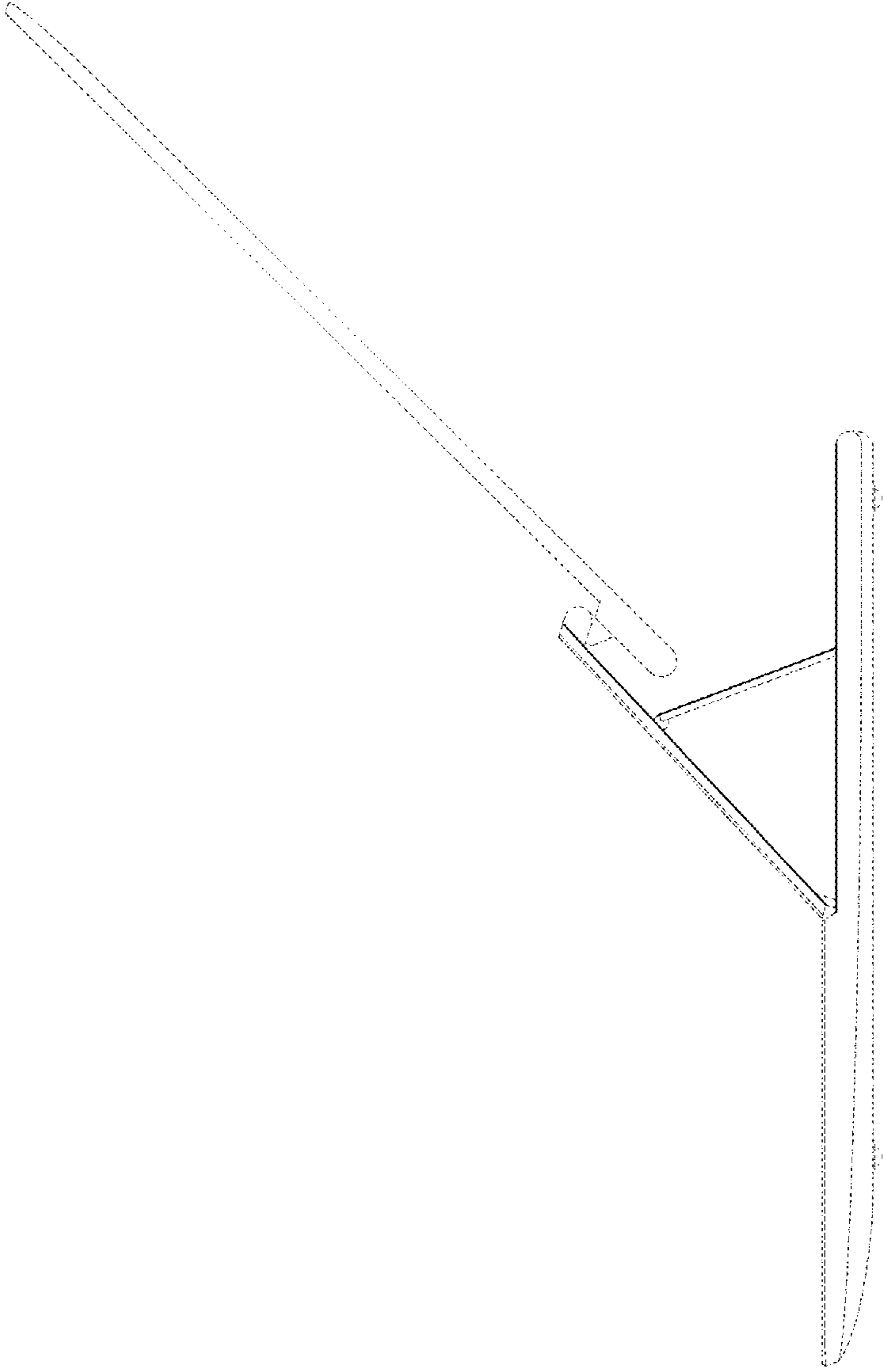


FIG. 5

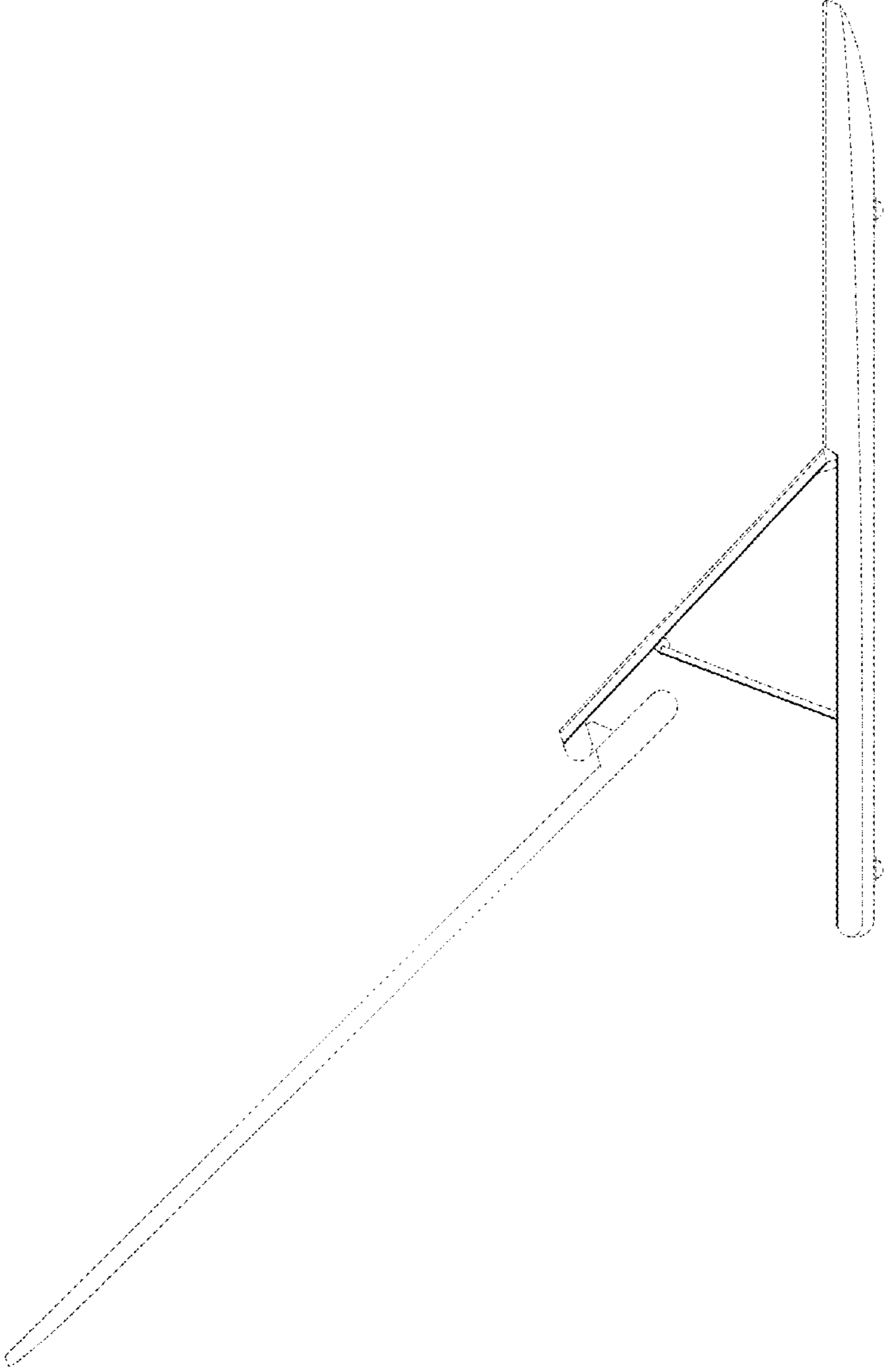


FIG. 6

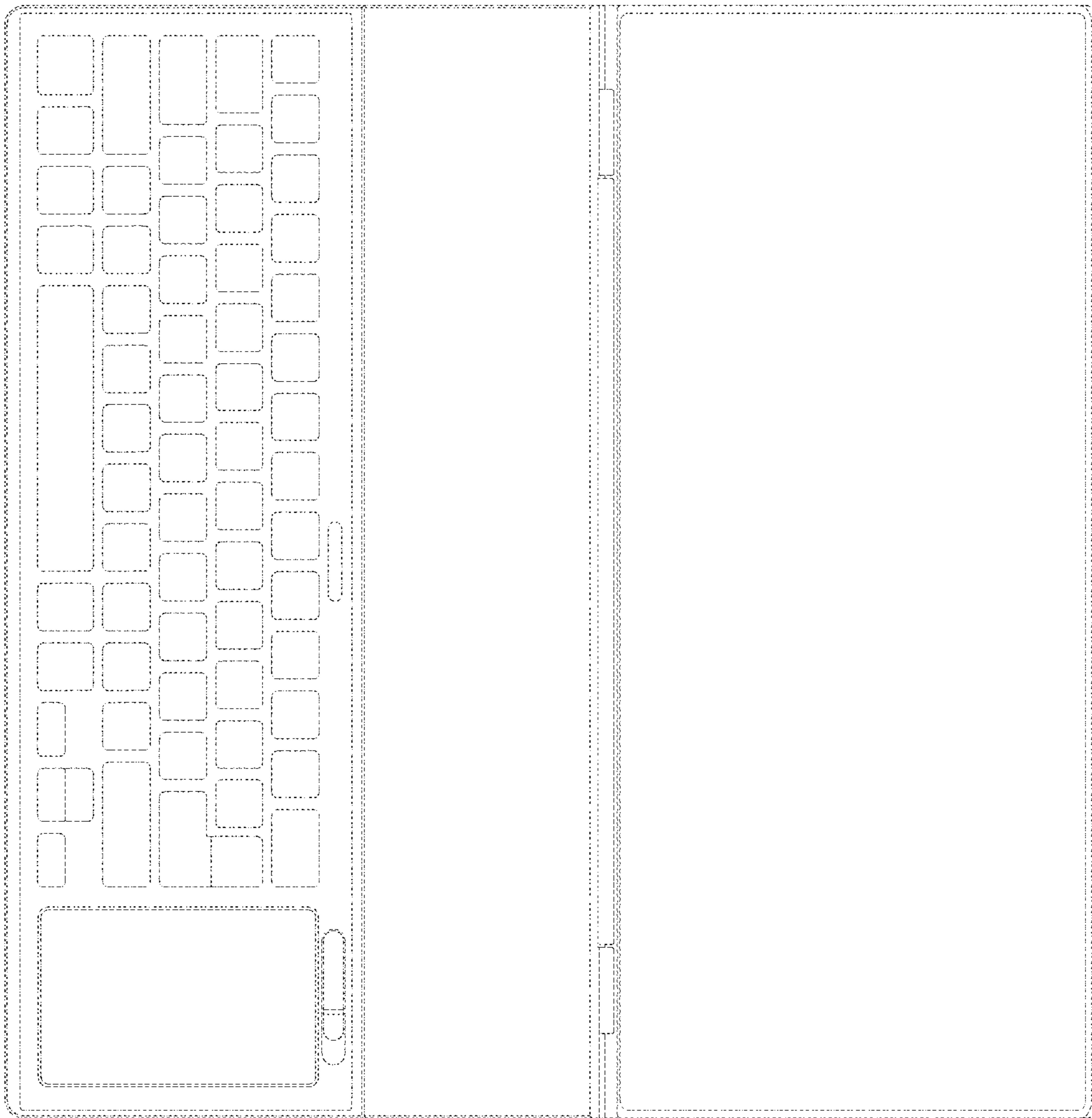


FIG. 7

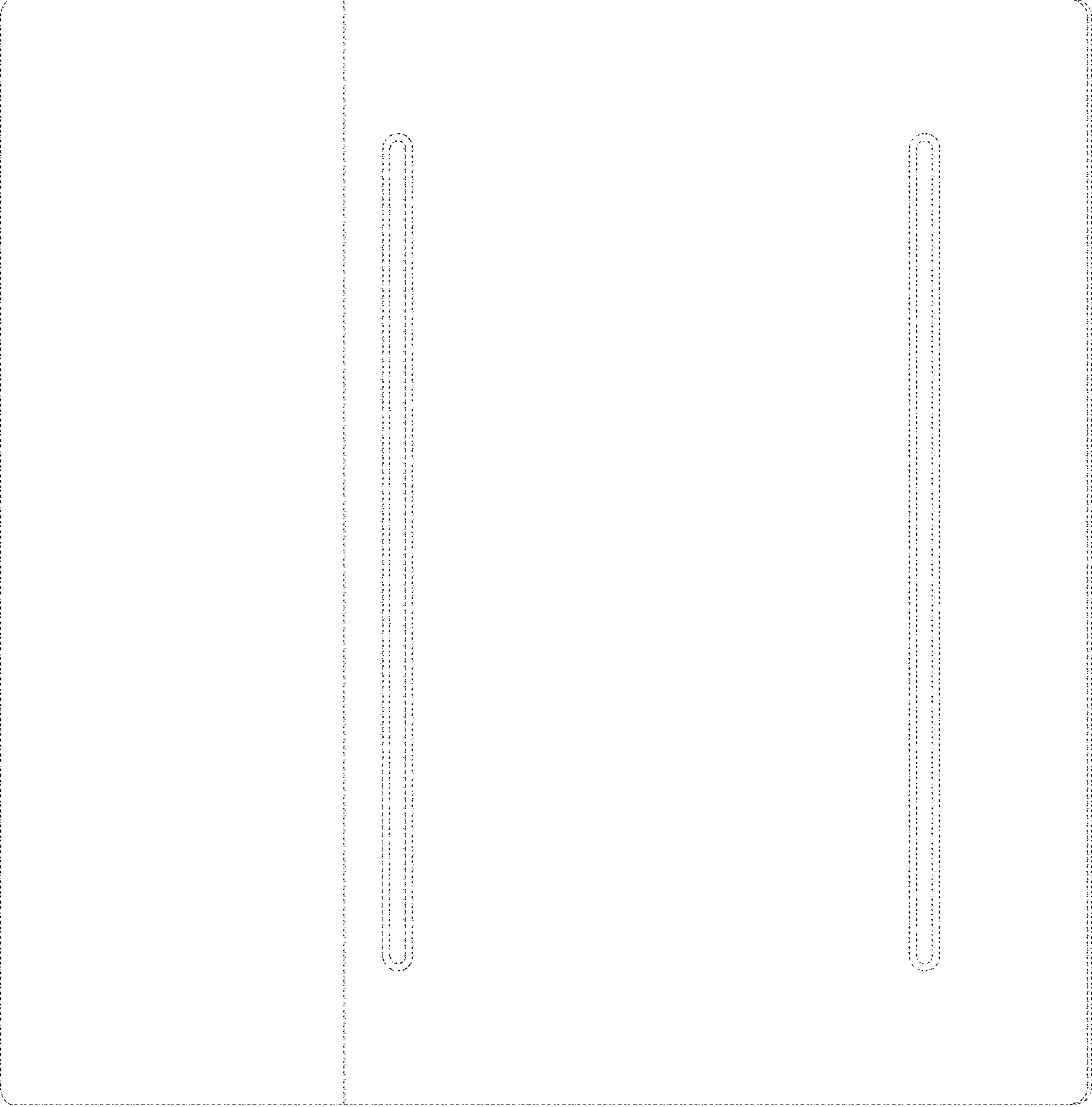


FIG. 8

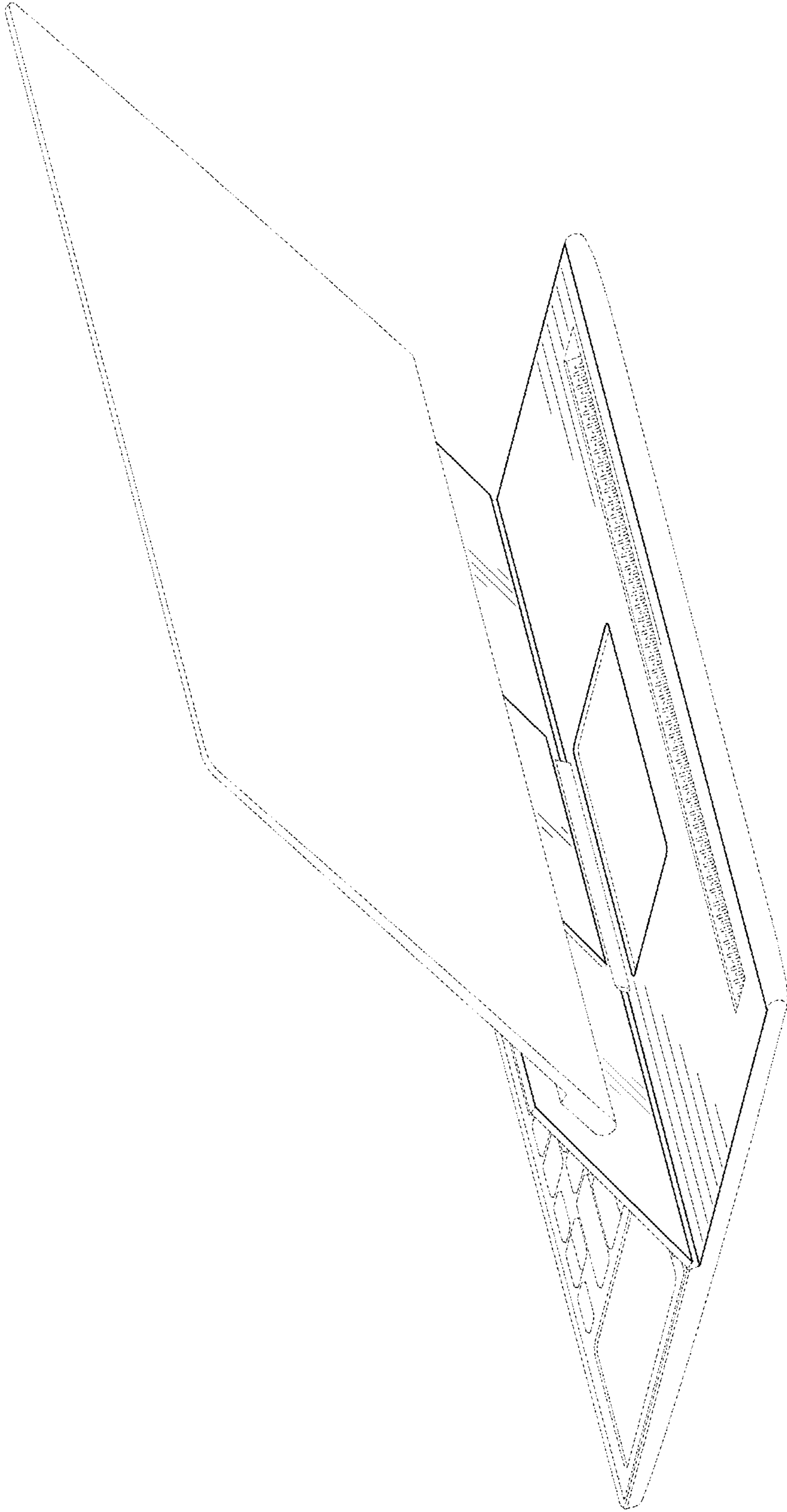


FIG. 9

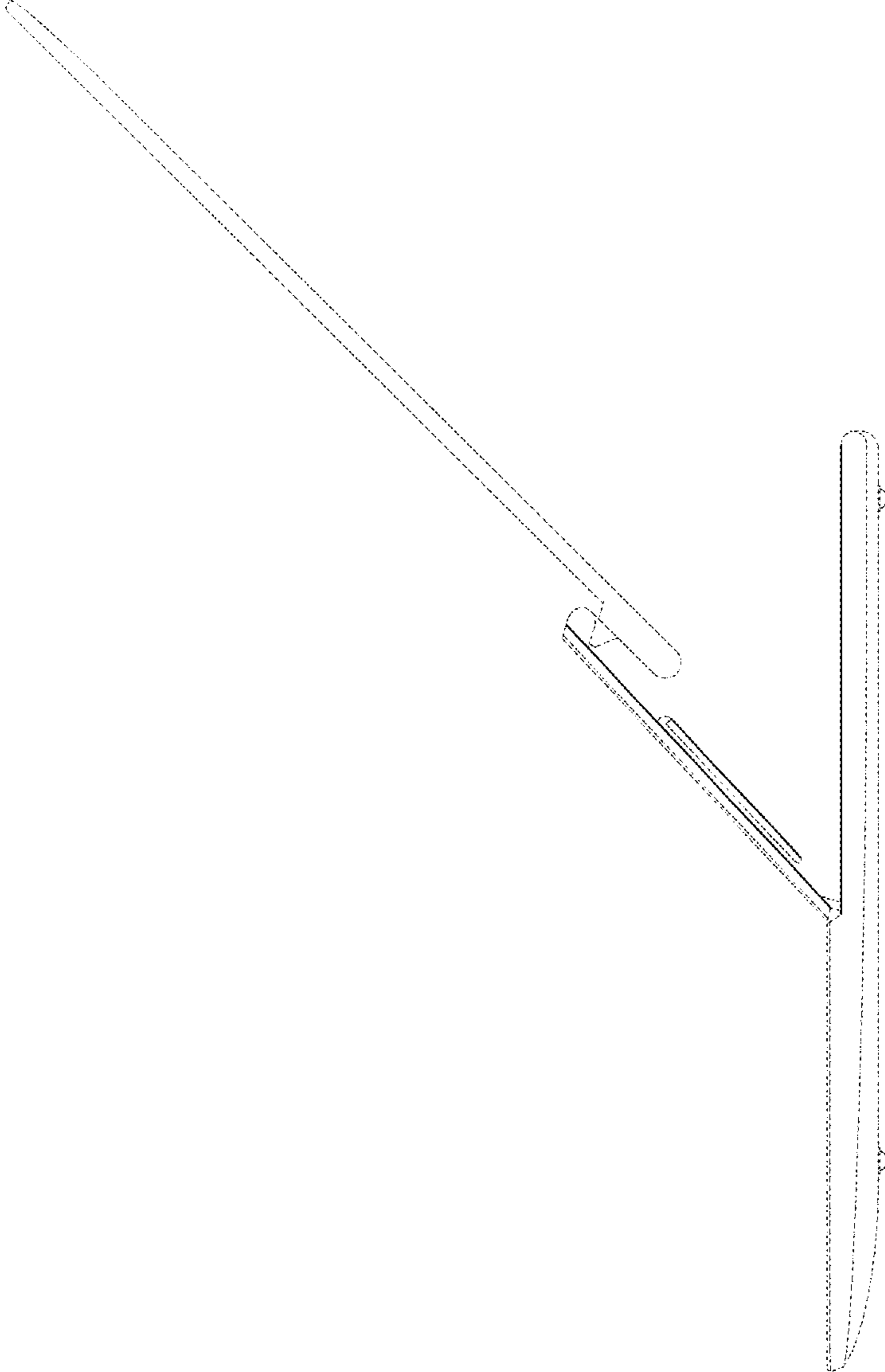


FIG. 10

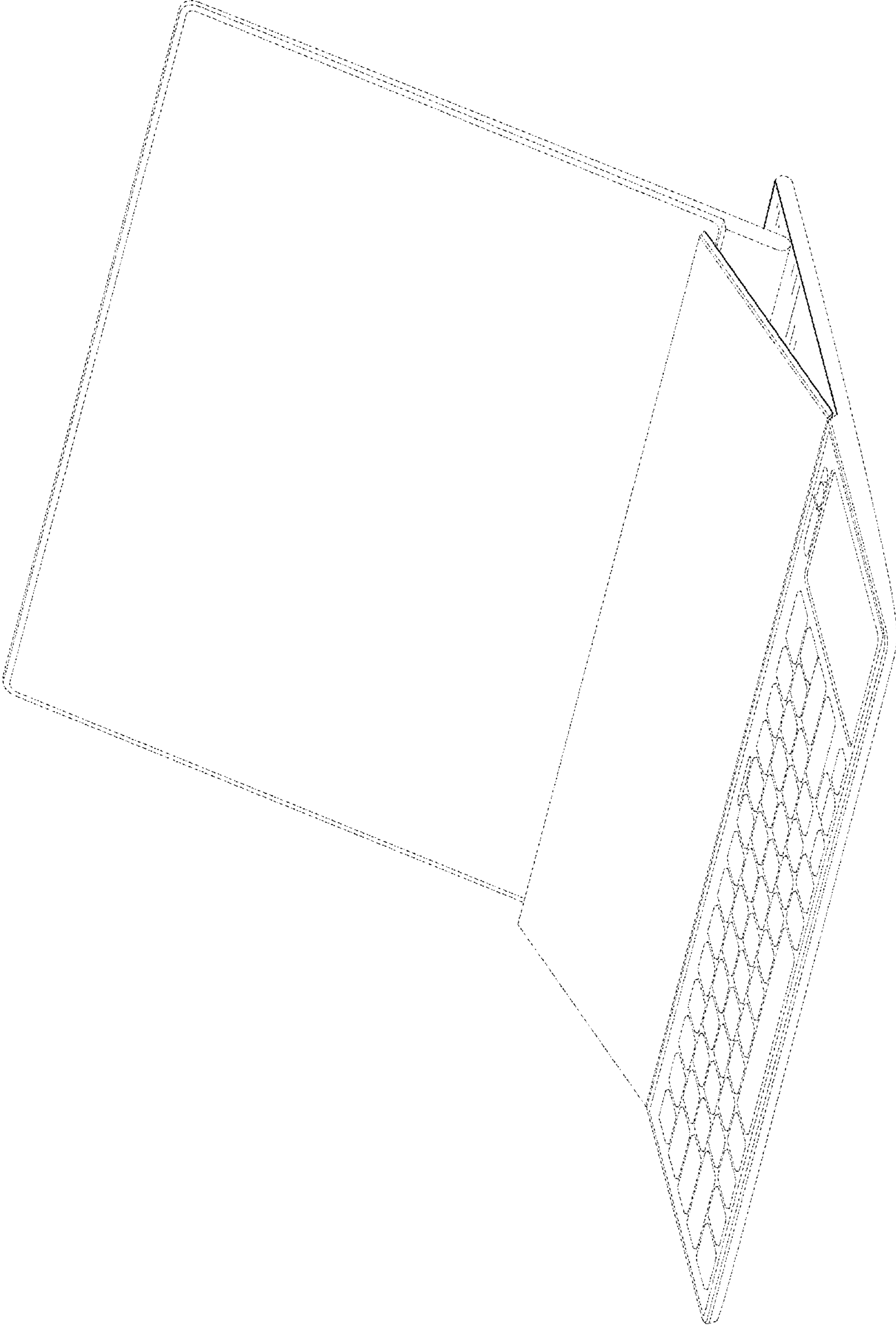


FIG. 11

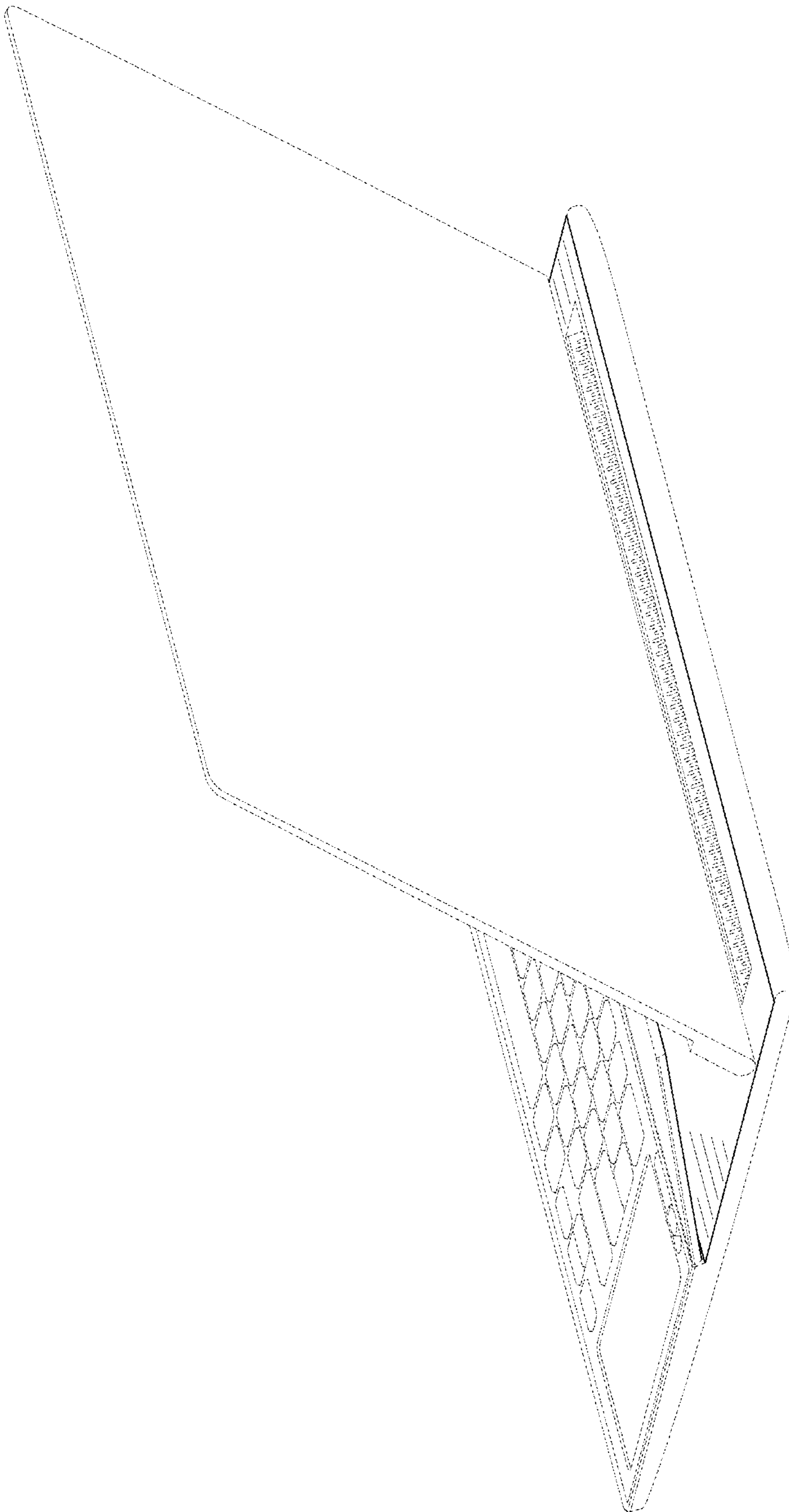


FIG. 12

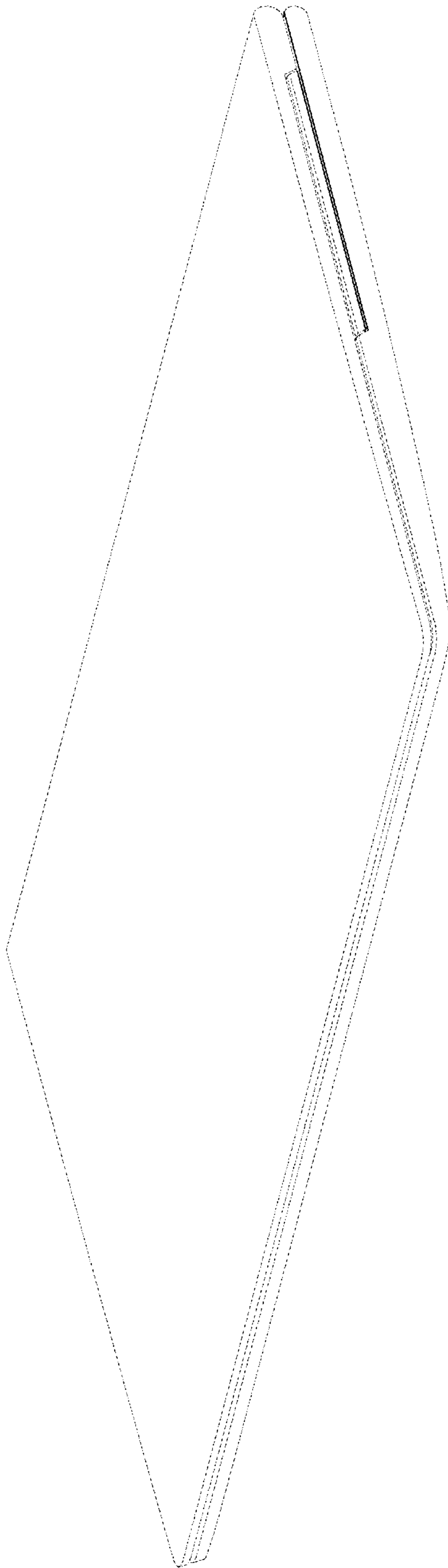


FIG. 13