



US00D965584S

(12) **United States Design Patent** (10) **Patent No.:** **US D965,584 S**  
**Inouye et al.** (45) **Date of Patent:** **\*\* Oct. 4, 2022**

(54) **MONITOR STAND WITH MONITOR**

CPC ..... G06Q 20/18; G06Q 20/10; G06Q 20/123;  
G06Q 20/20; G06Q 30/02; G06Q 30/06;  
A47F 9/047

(71) Applicant: **Apple Inc.**, Cupertino, CA (US)

See application file for complete search history.

(72) Inventors: **Allison Inouye**, San Francisco, CA (US); **Jean-Marc Gady**, Los Altos, CA (US); **Ismael Flores Trujano**, San Jose, CA (US); **Gregory Guillaume Lespinard**, San Jose, CA (US); **Mi Zou**, San Francisco, CA (US); **Po Huang**, San Jose, CA (US); **Wesley Bryan Hamm**, San Francisco, CA (US); **Russell John Kaaihue Heirakuji**, Cupertino, CA (US); **Joshua Robert Edwards**, Santa Cruz, CA (US); **Nicholas E. Corti**, San Francisco, CA (US)

(56) **References Cited**

U.S. PATENT DOCUMENTS

4,329,800 A	5/1982	Shuman	
D305,647 S	1/1990	Kato et al.	
D434,738 S	12/2000	Takemasa	
D455,131 S	4/2002	Reynaga et al.	
D479,209 S *	9/2003	Teng	D14/126
D483,726 S *	12/2003	Teng	D14/129
6,837,469 B2	1/2005	Wu et al.	
7,280,665 B2	10/2007	Tamura et al.	
D599,755 S	9/2009	Jin et al.	
D644,223 S	8/2011	Maupin	
D704,709 S	5/2014	Bussoli	
D722,313 S *	2/2015	Birgeoglu	D14/307

(Continued)

*Primary Examiner* — Austin Murphy

(74) *Attorney, Agent, or Firm* — Sterne, Kessler, Goldstein & Fox P.L.L.C.

(73) Assignee: **Apple Inc.**, Cupertino, CA (US)

(\*\*) Term: **15 Years**

(21) Appl. No.: **29/830,099**

(22) Filed: **Mar. 10, 2022**

(57) **CLAIM**

The ornamental design for a monitor stand with monitor, as shown and described.

**Related U.S. Application Data**

(63) Continuation of application No. 29/776,223, filed on Mar. 29, 2021, now Pat. No. Des. 948,499, which is a continuation of application No. 29/713,512, filed on Nov. 15, 2019, now Pat. No. Des. 914,666.

(51) **LOC (13) Cl.** ..... **14-02**

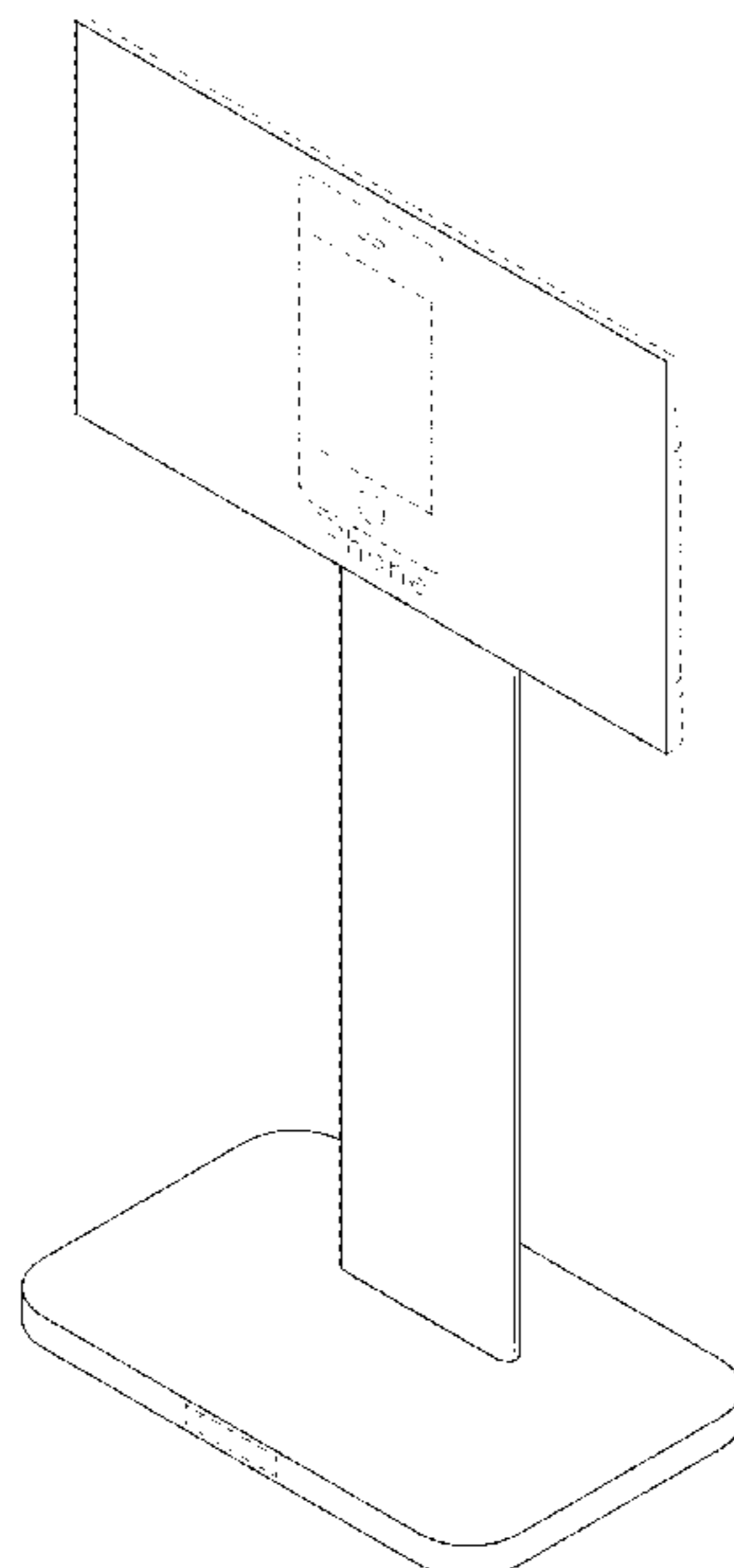
(52) **U.S. Cl.**  
USPC ..... **D14/307**

(58) **Field of Classification Search**  
USPC ..... D14/302-307, 900-902; D13/163;  
D20/10; D21/332, 325, 369, 370;  
D99/28; D6/397, 466; 194/206;  
361/679.01, 679.02, 679.04, 679.21,  
361/679.57, 725

**DESCRIPTION**

FIG. 1 is a top front perspective view of a monitor stand with monitor showing the claimed design; FIG. 2 is a front view thereof; FIG. 3 is a rear view thereof; FIG. 4 is a left side view thereof; FIG. 5 is a right side view thereof; FIG. 6 is a top view thereof; and, FIG. 7 is a bottom view thereof. The broken lines in the figures show portions of the monitor stand with monitor that form no part of the claimed design.

**1 Claim, 5 Drawing Sheets**



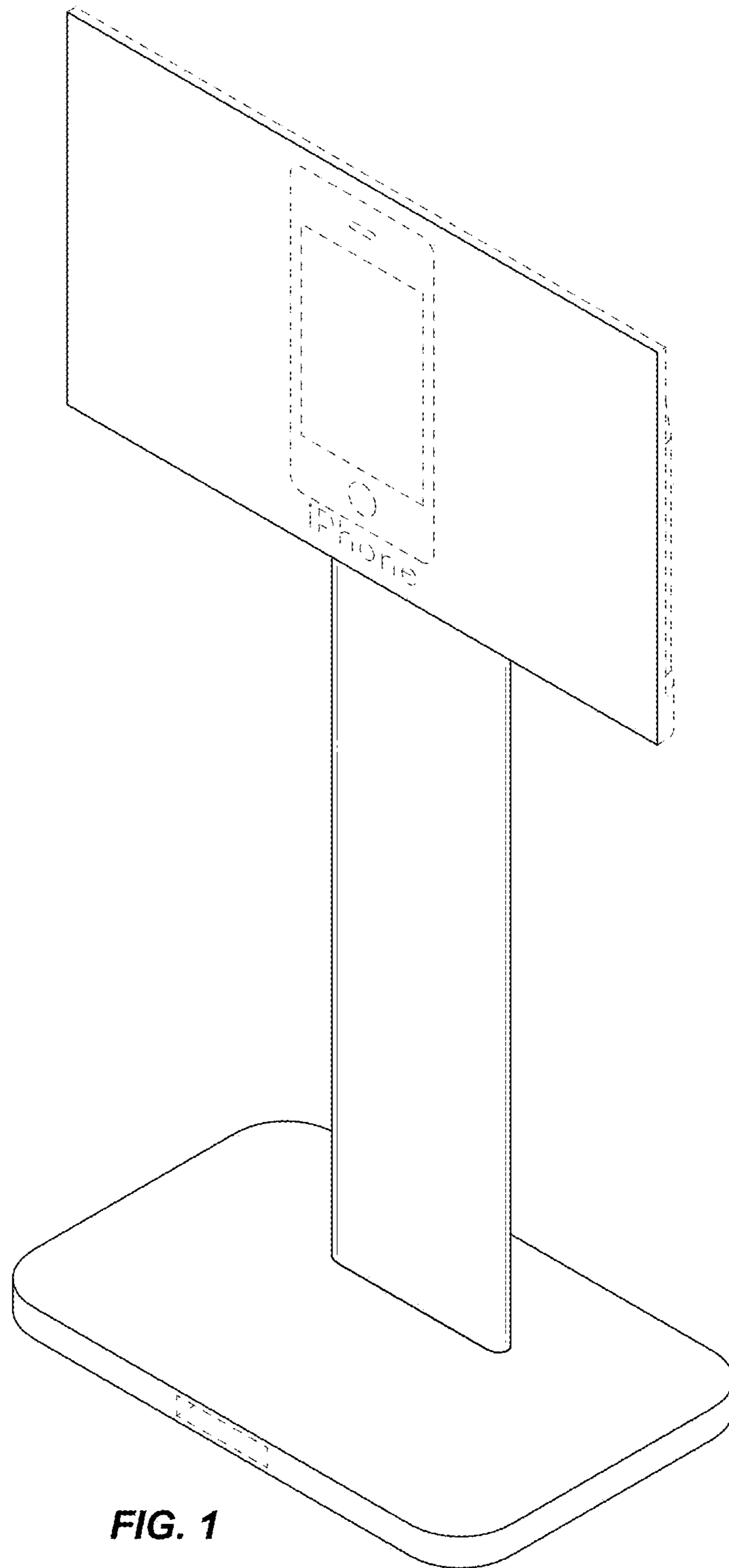
(56)

**References Cited**

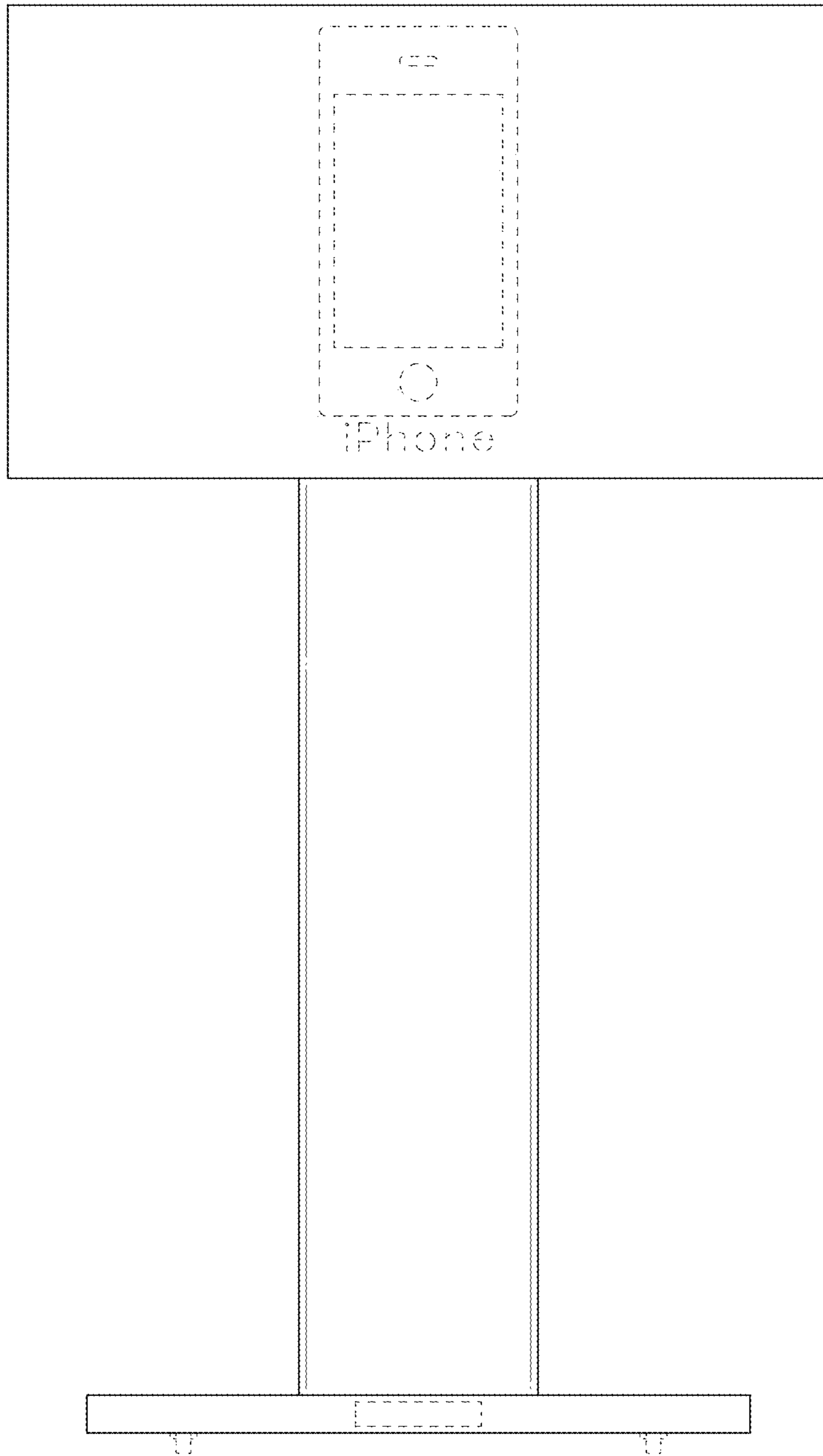
U.S. PATENT DOCUMENTS

D726,717 S	4/2015	Lee et al.	
D734,280 S	7/2015	Choi	
D763,259 S	8/2016	Lee et al.	
D776,651 S *	1/2017	Yates .....	D14/307
D808,965 S	1/2018	Bergeron-Mirsky	
D892,110 S *	8/2020	Birgeoglu .....	D14/307
D894,894 S *	9/2020	Corre .....	D14/307
D896,806 S *	9/2020	Zheng .....	D14/307
D902,919 S *	11/2020	Carmona .....	D14/307
D914,666 S *	3/2021	Inouye .....	D14/307
D920,323 S *	5/2021	Lee .....	D14/307
D948,499 S *	4/2022	Inouye .....	D14/307
2003/0058372 A1	3/2003	Williams et al.	

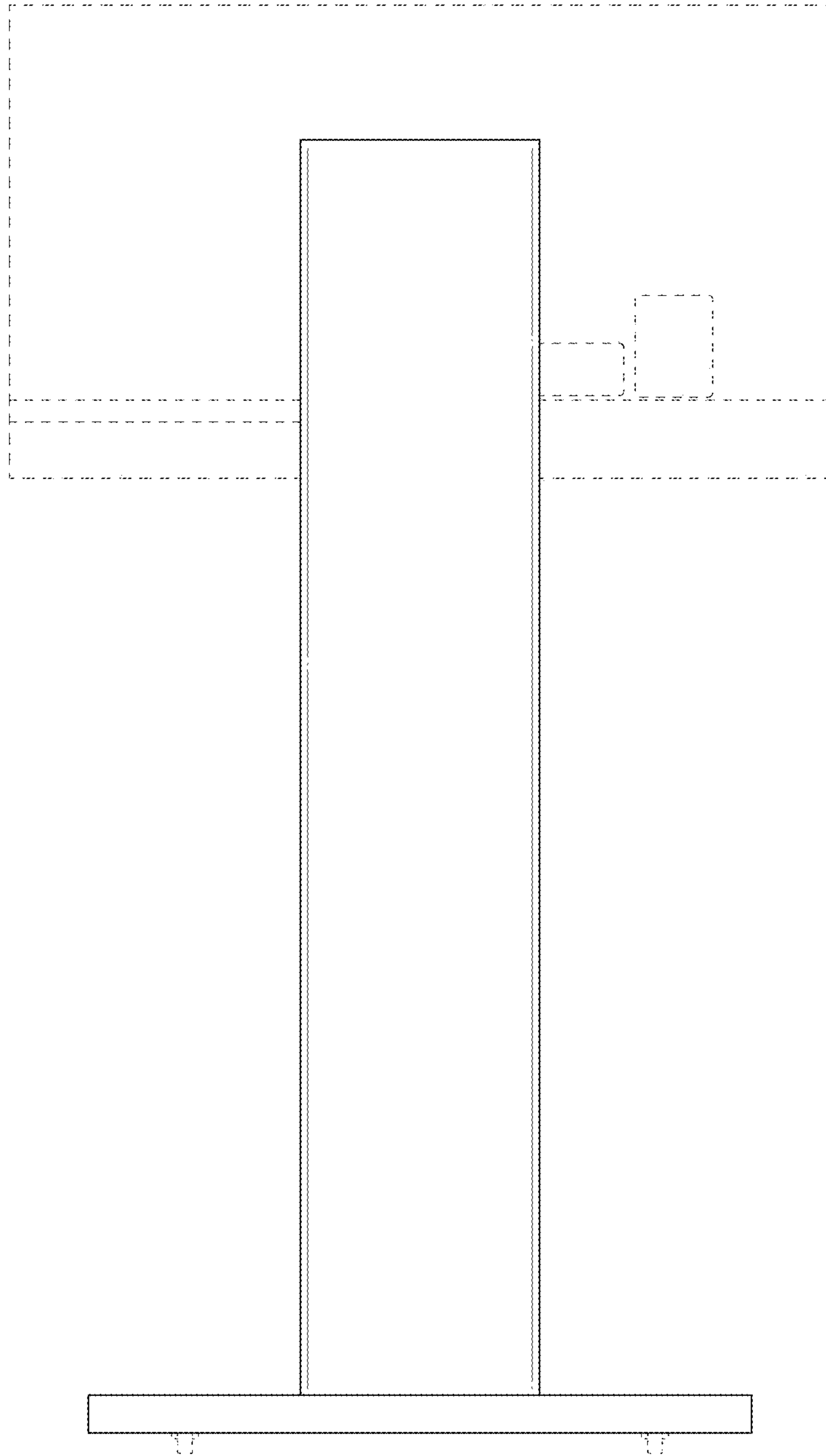
\* cited by examiner



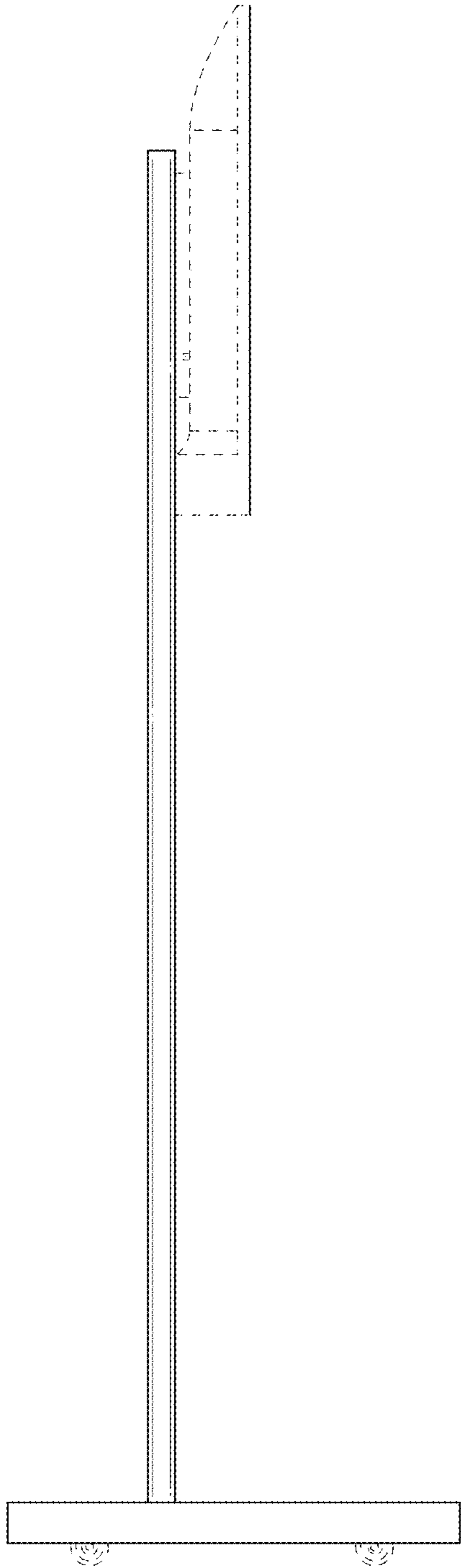
**FIG. 1**



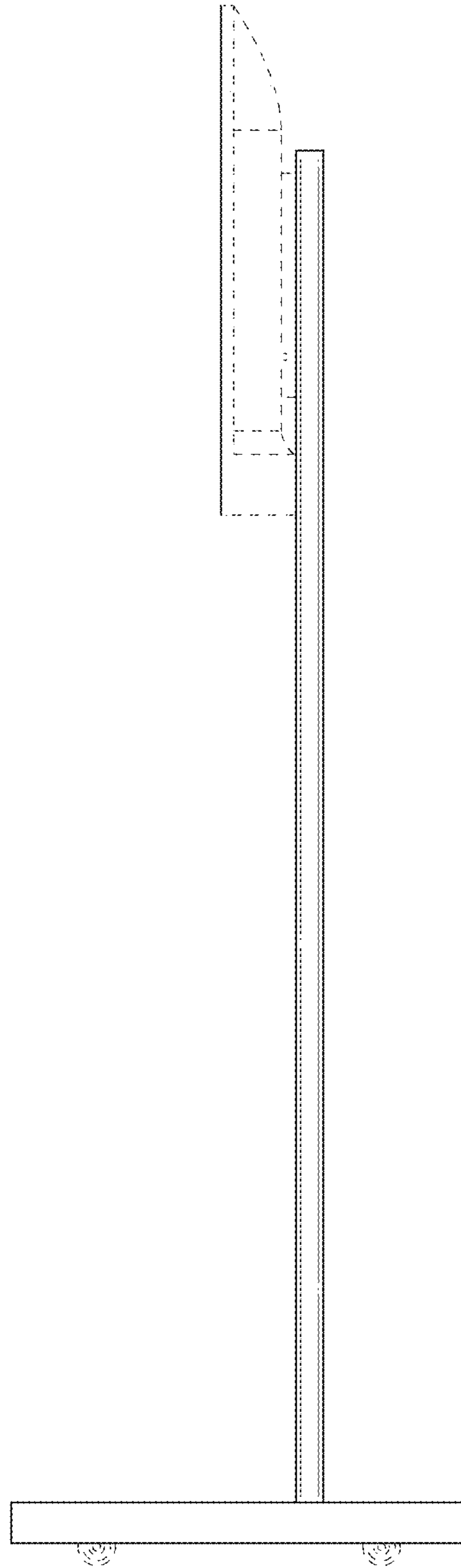
**FIG. 2**



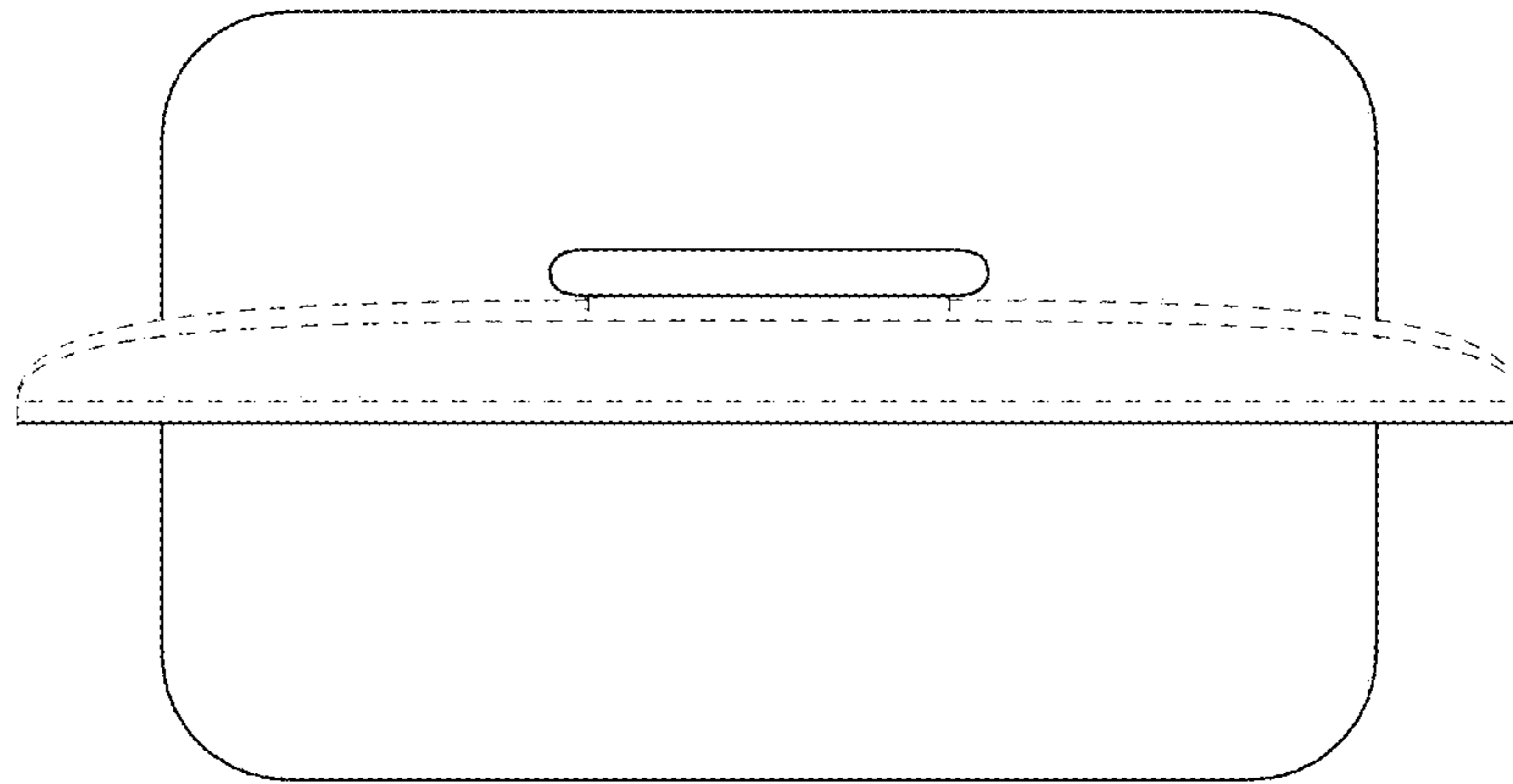
**FIG. 3**



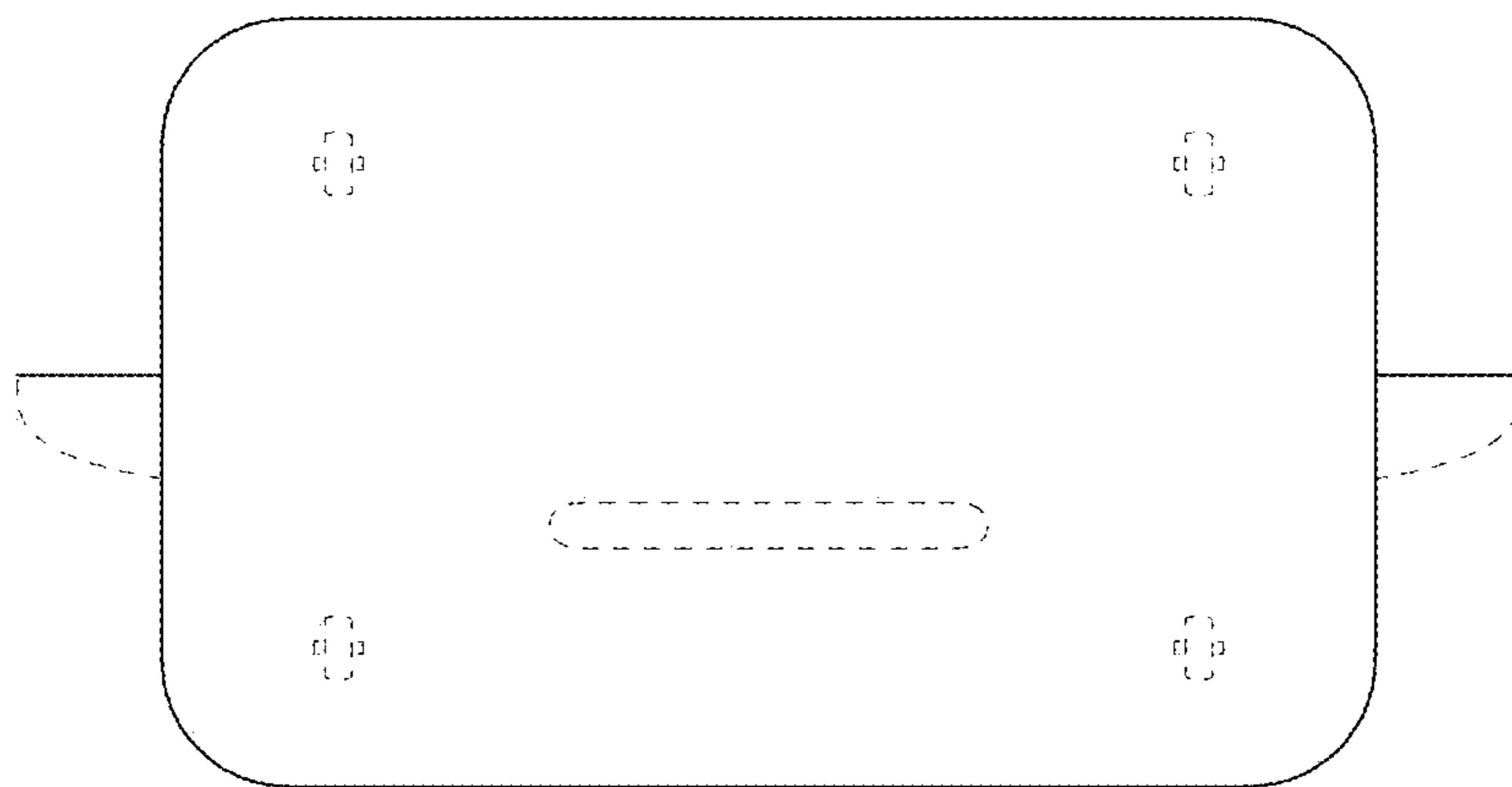
**FIG. 4**



**FIG. 5**



**FIG. 6**



**FIG. 7**