



US00D965582S

(12) **United States Design Patent** (10) **Patent No.:** **US D965,582 S**
Ma (45) **Date of Patent:** **** Oct. 4, 2022**

(54) **MOBILE PHONE RING HOLDER**
(71) Applicant: **Chaoqun Ma**, Anhui Province (CN)
(72) Inventor: **Chaoqun Ma**, Anhui Province (CN)
(**) Term: **15 Years**

(21) Appl. No.: **29/846,068**

(22) Filed: **Jul. 13, 2022**

(51) **LOC (13) Cl.** **14-03**

(52) **U.S. Cl.**
USPC **D14/253**; D3/218

(58) **Field of Classification Search**
USPC D14/251–253, 447, 217, 250; D3/218;
D12/415; D13/108
CPC A45C 2011/002; A45F 2200/0516; H04B
2001/3861; H04M 1/04
See application file for complete search history.

(56) **References Cited**

U.S. PATENT DOCUMENTS

8,950,715	B2 *	2/2015	Chiu	F16M 13/022 248/205.8
D768,635	S *	10/2016	Due	D14/432
D850,455	S *	6/2019	Cheng	D14/440
D855,048	S *	7/2019	Kim	D14/253
D855,049	S *	7/2019	Kim	D14/253
D866,546	S *	11/2019	Stillwell	D14/251
10,581,480	B1 *	3/2020	Kim	A45F 5/00
D885,376	S *	5/2020	He	D3/218
D888,066	S *	6/2020	Wang	D14/451
D902,194	S *	11/2020	Gluck	D3/249
D904,386	S *	12/2020	Luo	D3/218
D906,328	S *	12/2020	Kim	D14/253
D931,847	S *	9/2021	Min	D14/253
D933,057	S *	10/2021	Kim	D14/251
D944,787	S *	3/2022	Zheng	D14/253
11,265,035	B1 *	3/2022	Zhang	F16B 1/00

D954,039	S *	6/2022	Liu	D14/253
2009/0090750	A1 *	4/2009	Alcenat	A45F 5/00 224/101
2016/0353867	A1 *	12/2016	Due	A45F 5/10
2017/0055660	A1 *	3/2017	Tien	A45C 11/00
2018/0220782	A1 *	8/2018	Mody	A45F 5/00
2019/0208046	A1 *	7/2019	Gluck	F16M 11/041
2019/0230205	A1 *	7/2019	Lee	H04B 1/3888
2022/0117384	A1 *	4/2022	Whitten	F16M 13/005

OTHER PUBLICATIONS

Anker Magnetic Phone Grip, Amazon.com, Jul. 23, 2021. <<https://a.co/d/gKaKDom>> (Year: 2021).*

* cited by examiner

Primary Examiner — Janice Hallmark

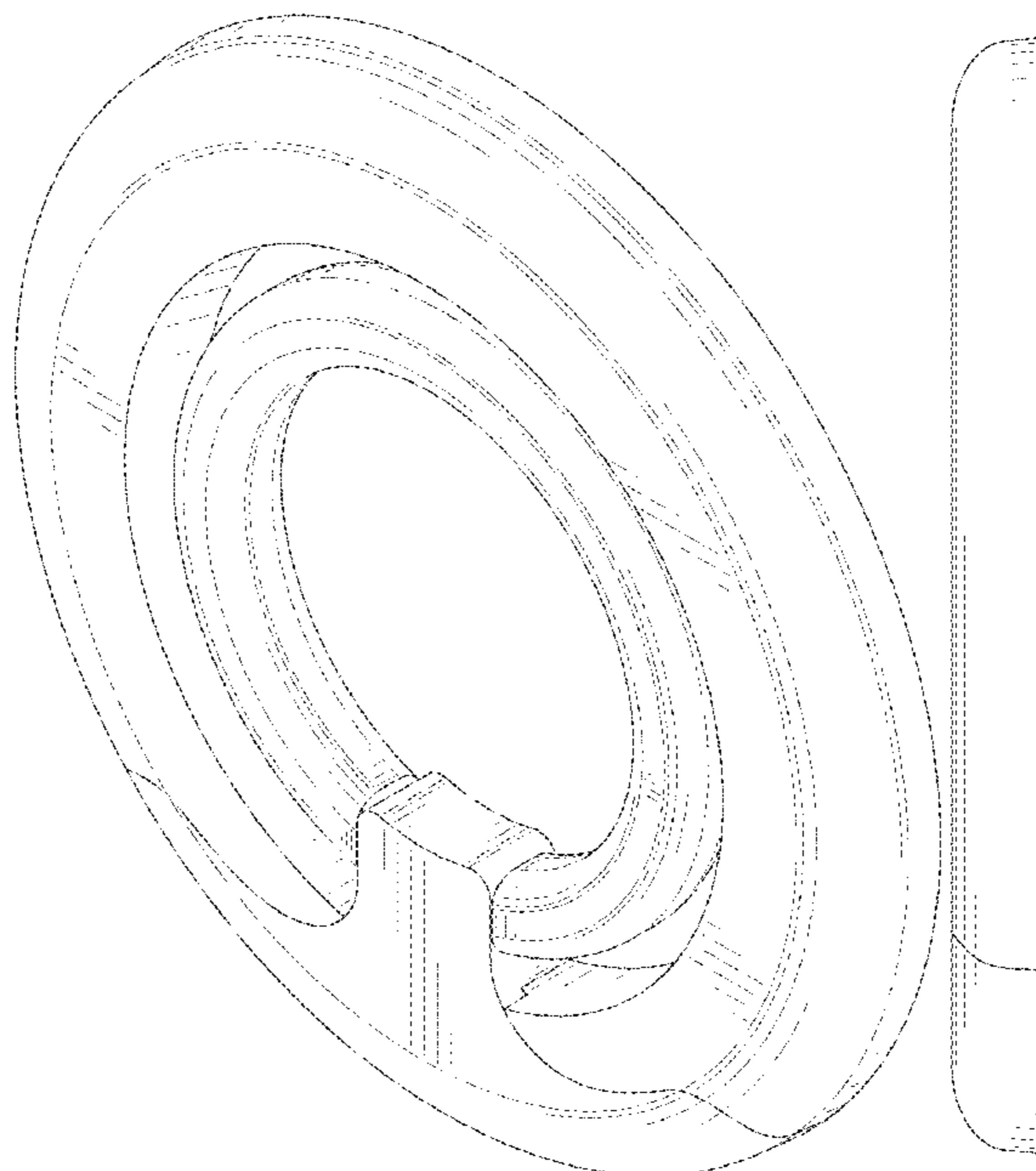
(57) **CLAIM**

The ornamental design for a mobile phone ring holder, as shown and described.

DESCRIPTION

FIG. 1 is a front and top perspective view of a mobile phone ring holder, showing, my new design;
FIG. 2 is a rear and bottom perspective view thereof;
FIG. 3 is a front elevation view thereof;
FIG. 4 is a rear elevation view thereof;
FIG. 5 is a left side elevation view thereof;
FIG. 6 is a right side elevation view thereof;
FIG. 7 is a top plan view thereof;
FIG. 8 is a bottom plan view thereof; and,
FIG. 9 is another perspective view thereof, shown in an alternative position.
The broken lines in the figures illustrate portions of the mobile phone ring holder that form no part of the claimed design.

1 Claim, 9 Drawing Sheets



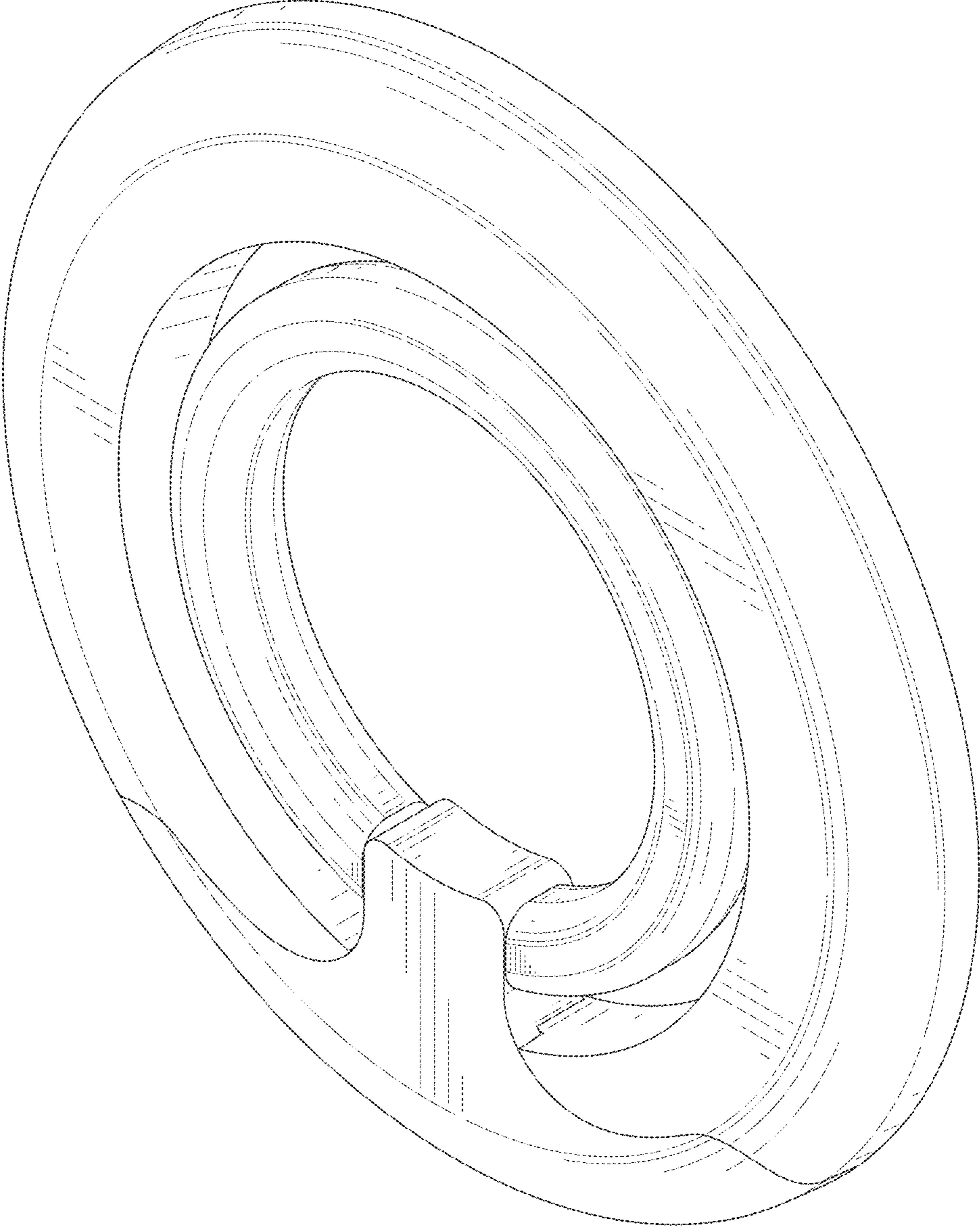


FIG. 1

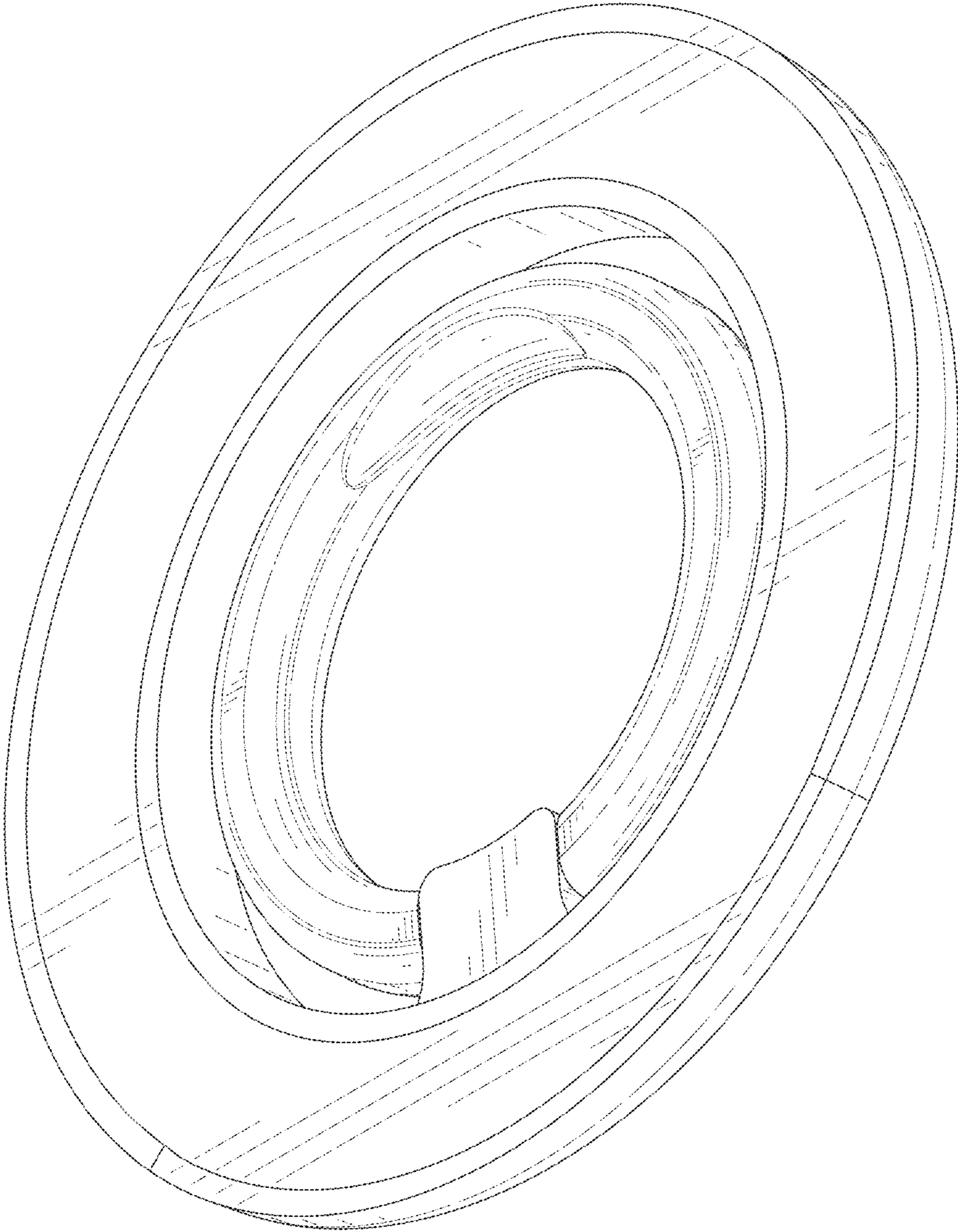


FIG. 2

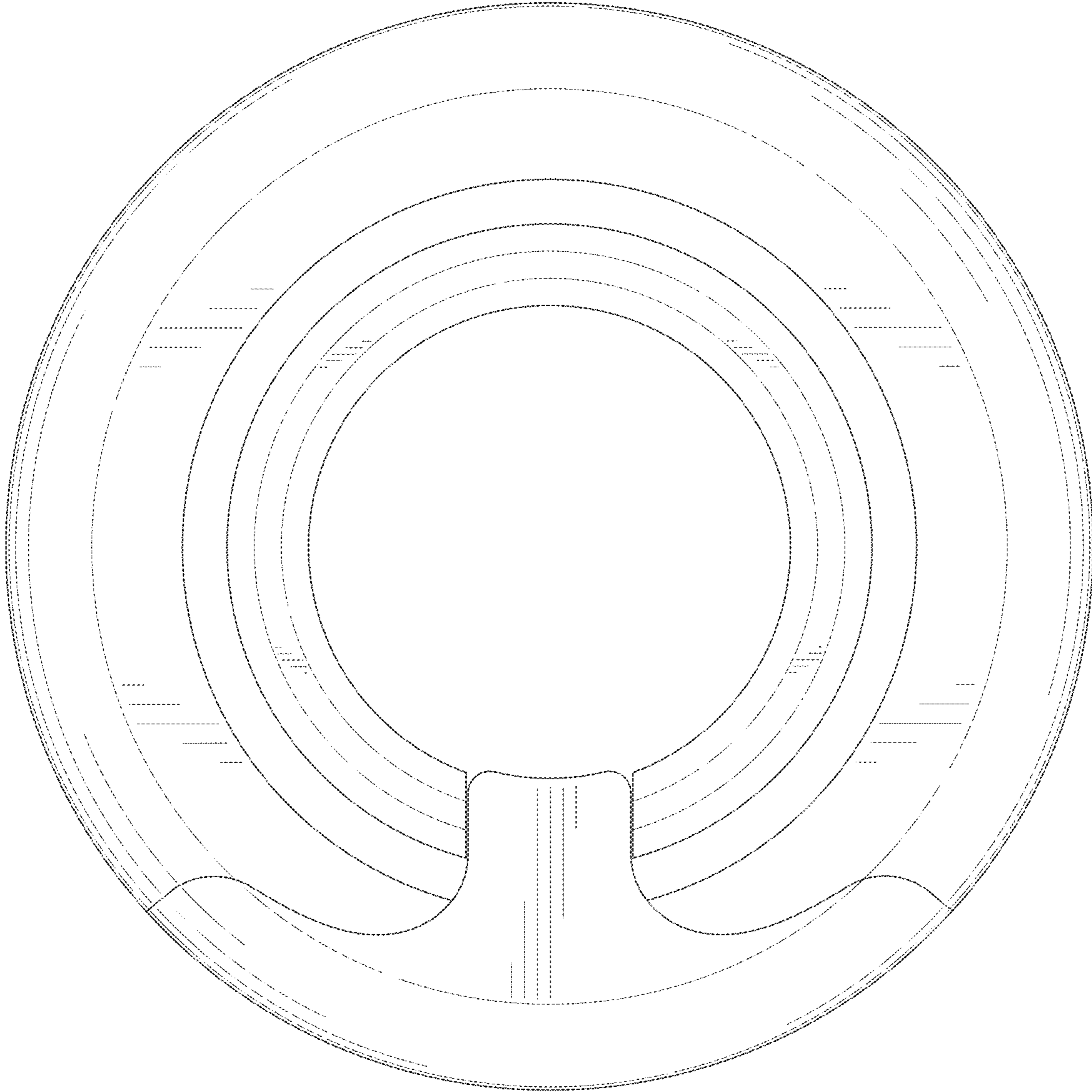


FIG. 3

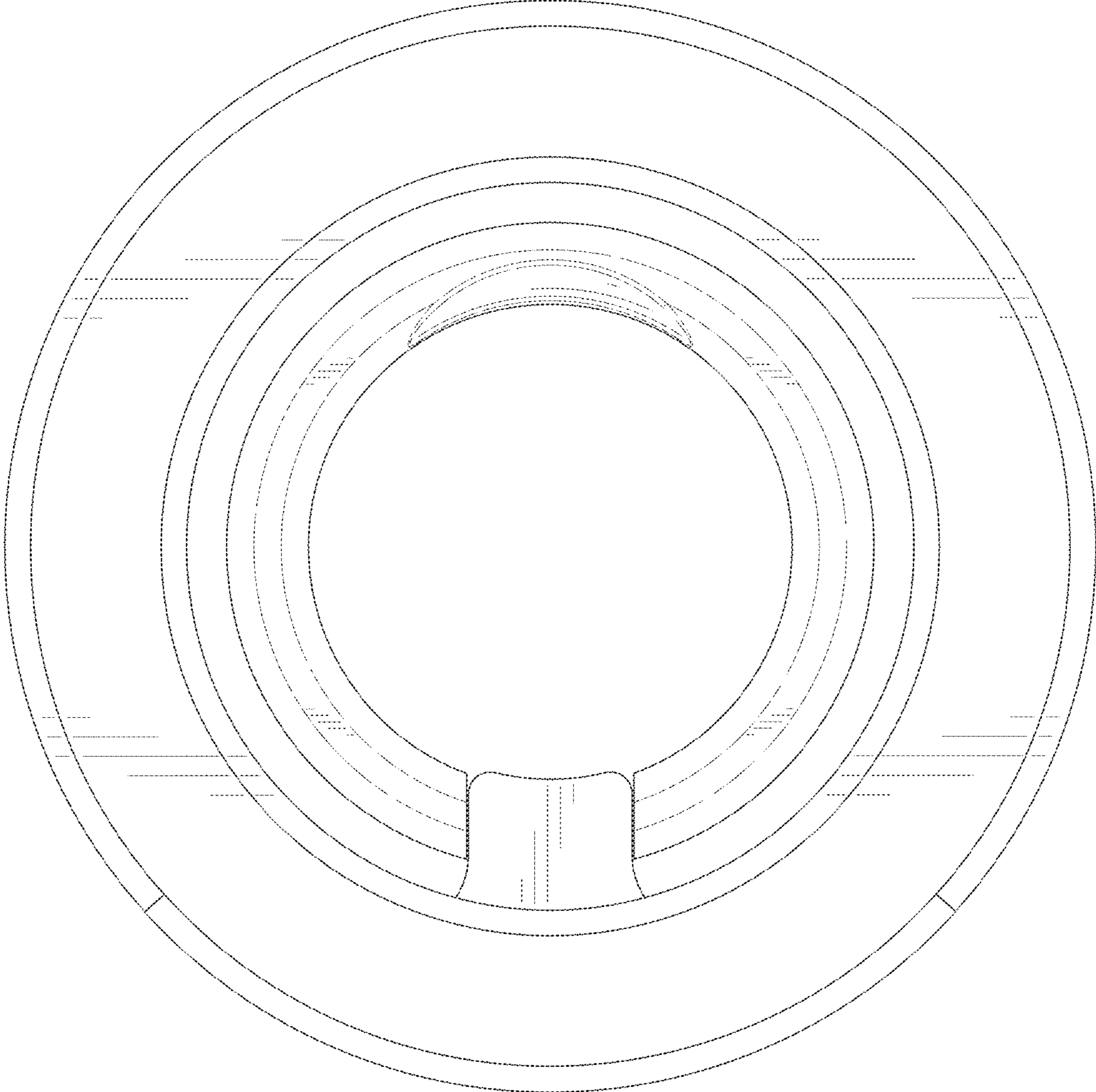


FIG. 4

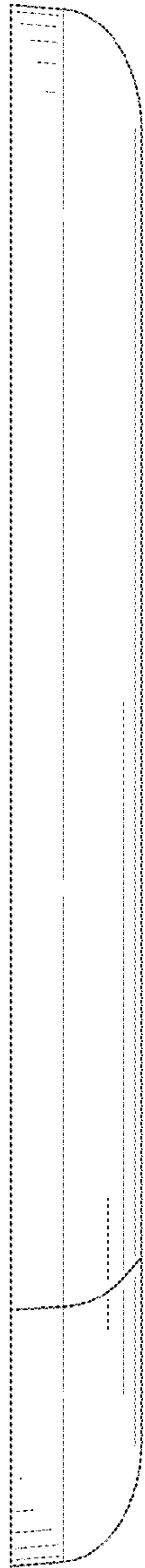


FIG. 5

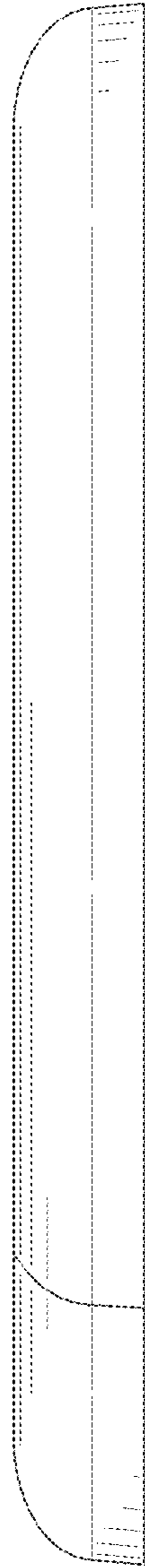


FIG. 6

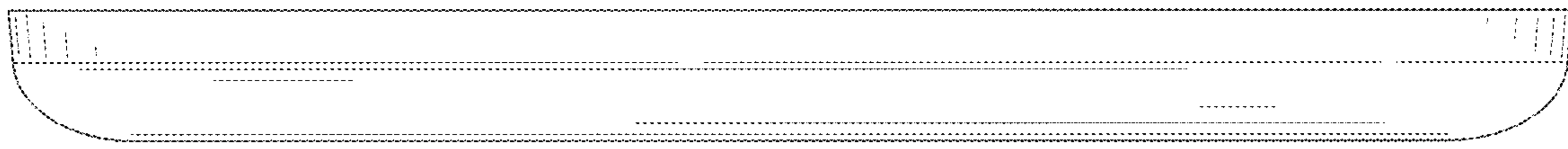


FIG. 7

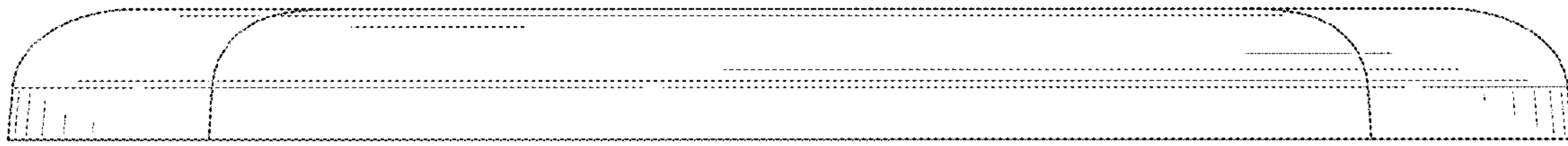


FIG. 8

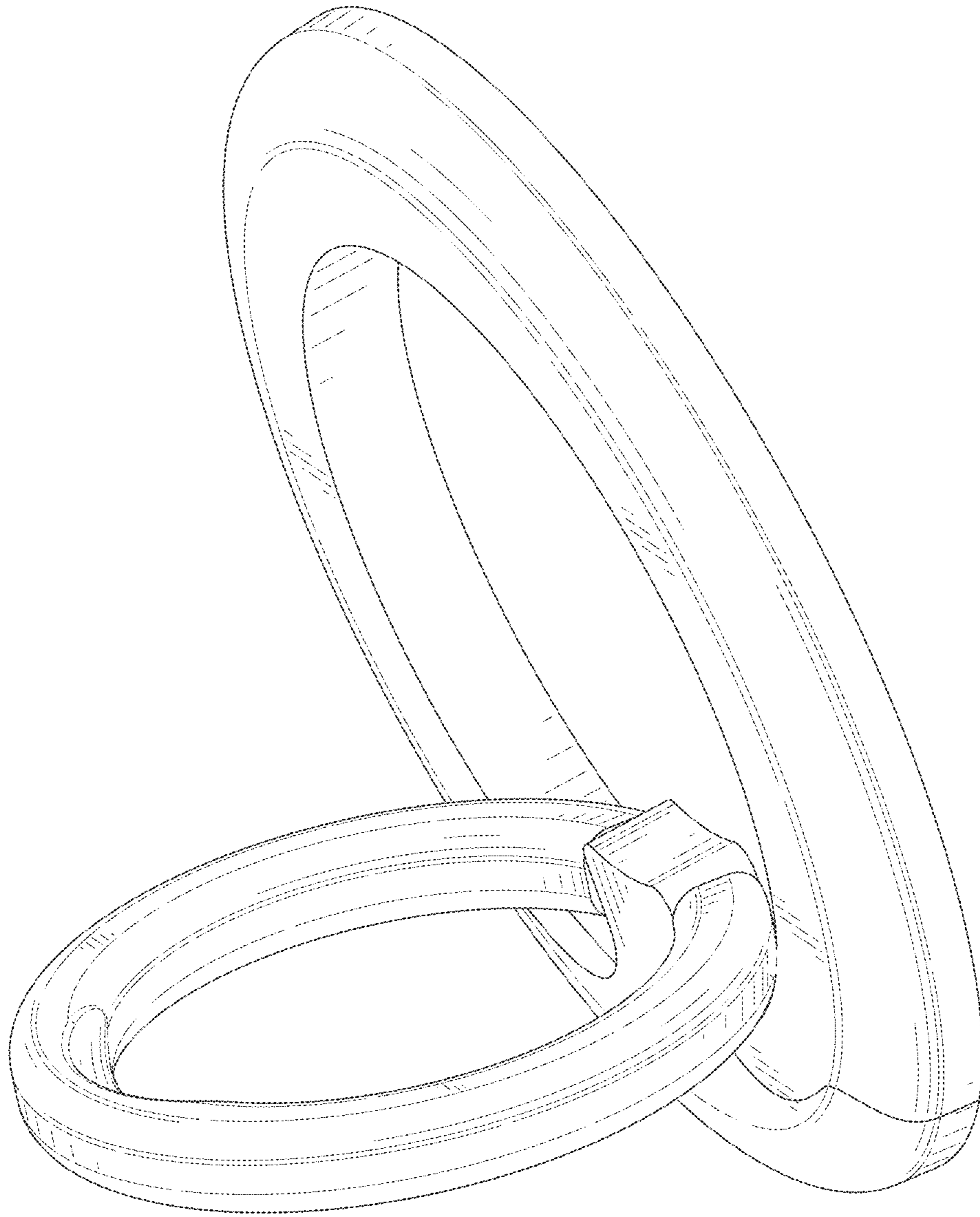


FIG. 9