



US00D965580S

(12) **United States Design Patent** (10) **Patent No.:** **US D965,580 S**
Ma (45) **Date of Patent:** **** Oct. 4, 2022**

(54) **MOBILE PHONE RING HOLDER**
(71) Applicant: **Chaoqun Ma**, Anhui Province (CN)
(72) Inventor: **Chaoqun Ma**, Anhui Province (CN)
(**) Term: **15 Years**
(21) Appl. No.: **29/846,062**

(22) Filed: **Jul. 13, 2022**
(51) **LOC (13) Cl.** **14-03**
(52) **U.S. Cl.**
USPC **D14/253; D3/218**
(58) **Field of Classification Search**
USPC D14/251–253, 447, 217, 250; D3/218;
D12/415; D13/108
CPC A45C 2011/002; A45F 2200/0516; H04B
2001/3861; H04M 1/04
See application file for complete search history.

(56) **References Cited**

U.S. PATENT DOCUMENTS

8,950,715 B2 * 2/2015 Chiu F16M 13/022
248/205.8
D768,635 S * 10/2016 Due D14/432
D850,455 S * 6/2019 Cheng D14/440
D855,048 S * 7/2019 Kim D14/253
D855,049 S * 7/2019 Kim D14/253
D866,546 S * 11/2019 Stillwell D14/251
10,581,480 B1 * 3/2020 Kim A45F 5/00
D885,376 S * 5/2020 He D3/218
D888,066 S * 6/2020 Wang D14/451
D902,194 S * 11/2020 Gluck D3/249
D904,386 S * 12/2020 Luo D3/218
D906,328 S * 12/2020 Kim D14/253
D931,847 S * 9/2021 Min D14/253
D933,057 S * 10/2021 Kim D14/251
D944,787 S * 3/2022 Zheng D14/253
11,265,035 B1 * 3/2022 Zhang F16B 1/00

D954,039 S * 6/2022 Liu D14/253
2009/0090750 A1 * 4/2009 Alcenat A45F 5/00
224/101
2016/0353867 A1 * 12/2016 Due A45F 5/10
2017/0055660 A1 * 3/2017 Tien A45C 11/00
2018/0220782 A1 * 8/2018 Mody A45F 5/00
2019/0208046 A1 * 7/2019 Gluck F16M 11/041
2019/0230205 A1 * 7/2019 Lee H04B 1/3888
2022/0117384 A1 * 4/2022 Whitten F16M 13/005

OTHER PUBLICATIONS

Anker Magnetic Phone Grip, Amazon.com, Jul. 23, 2021. <<https://a.co/d/gKaKDom>> (Year: 2021).*

* cited by examiner

Primary Examiner — Janice Hallmark

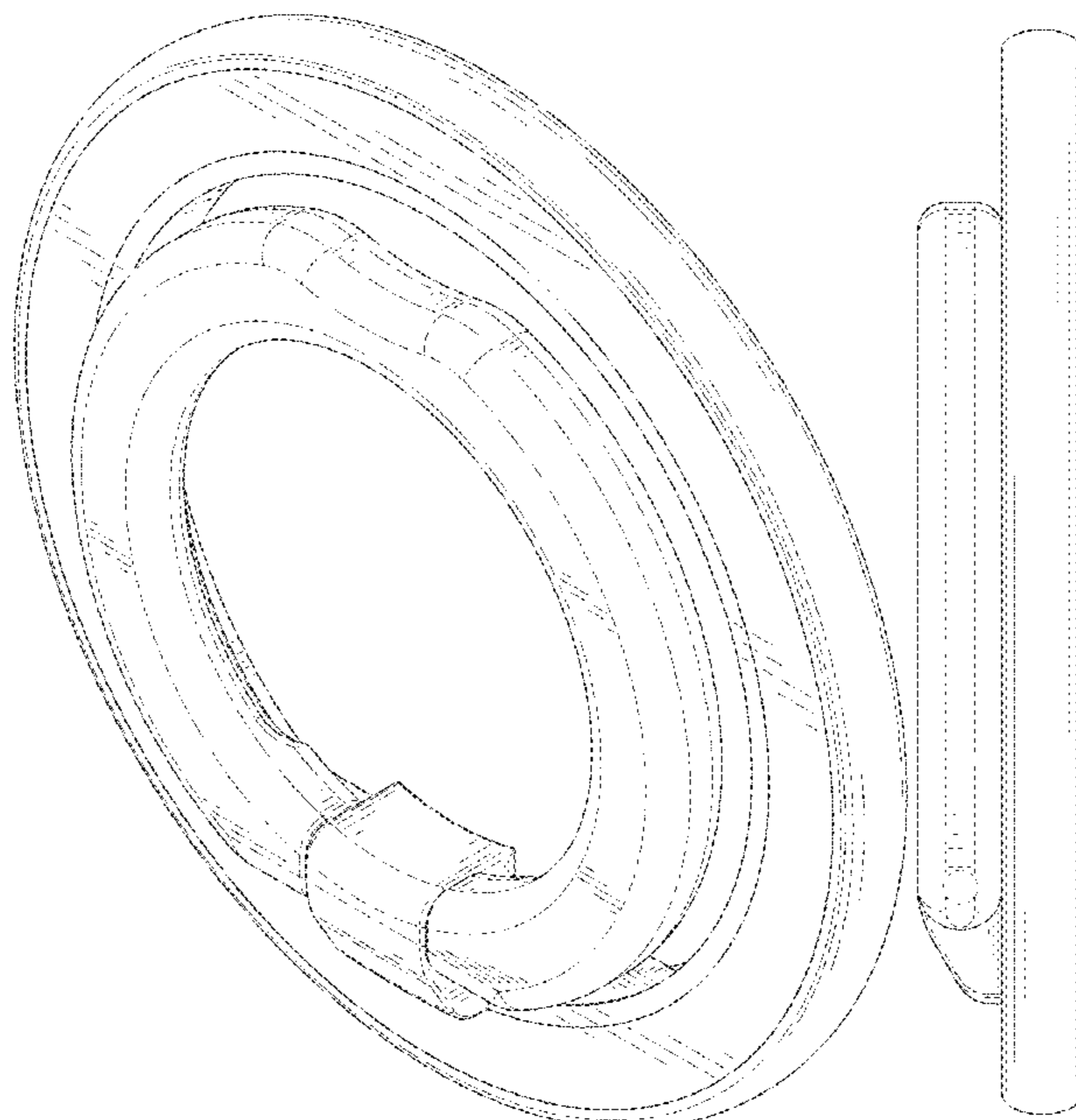
(57) **CLAIM**

The ornamental design for a mobile phone ring holder, as shown and described.

DESCRIPTION

FIG. 1 is a front and top perspective view of a mobile phone ring holder, showing my new design;
FIG. 2 is a rear and bottom perspective view thereof;
FIG. 3 is a front elevation view thereof;
FIG. 4 is a rear elevation view thereof;
FIG. 5 is a left side elevation view thereof;
FIG. 6 is a right side elevation view thereof;
FIG. 7 is a top plan view thereof;
FIG. 8 is a bottom plan view thereof; and,
FIG. 9 is another perspective view thereof, shown in an alternative position.
The broken lines in the figures illustrate portions of the mobile phone ring holder that form no part of the claimed design.

1 Claim, 9 Drawing Sheets



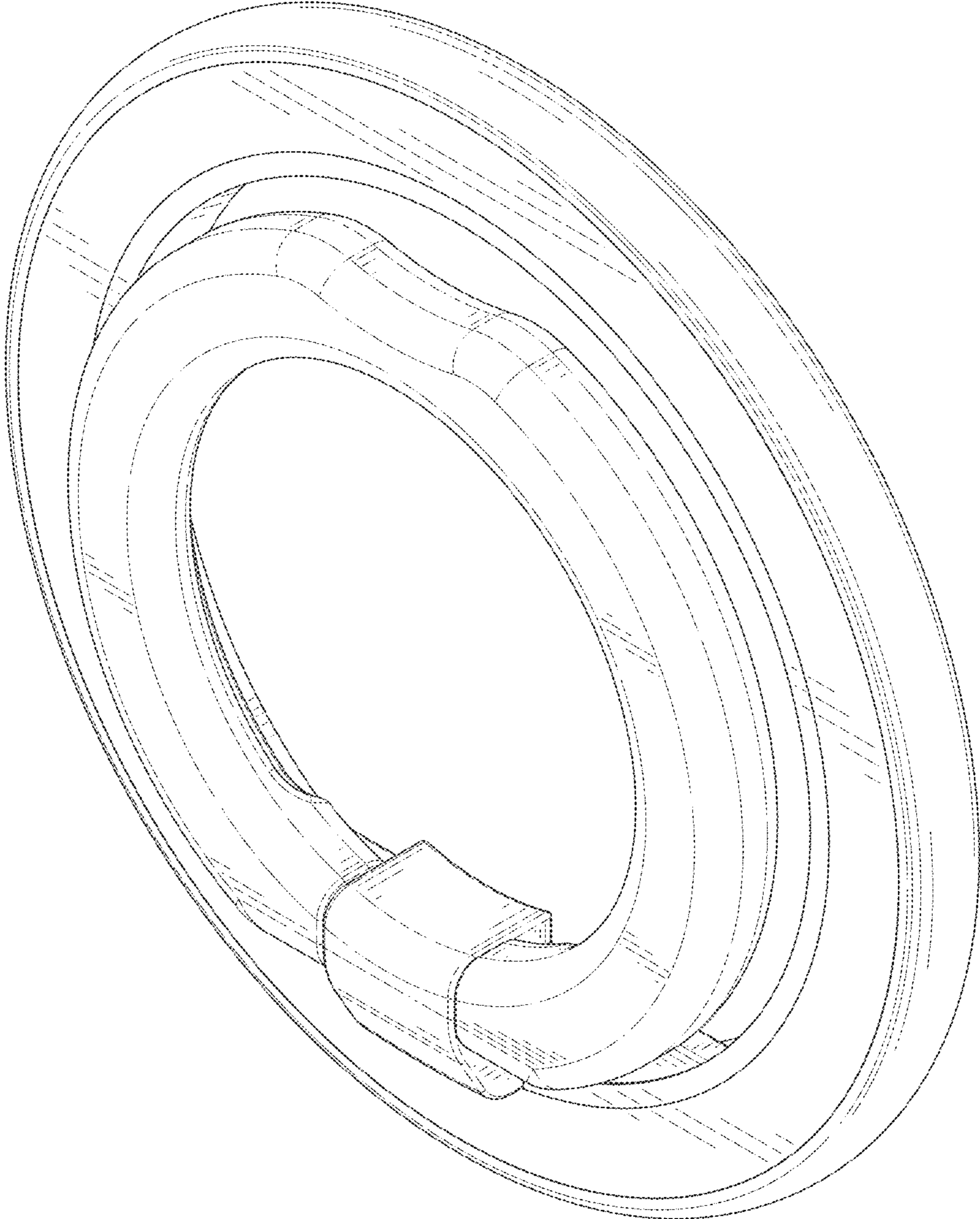


FIG. 1

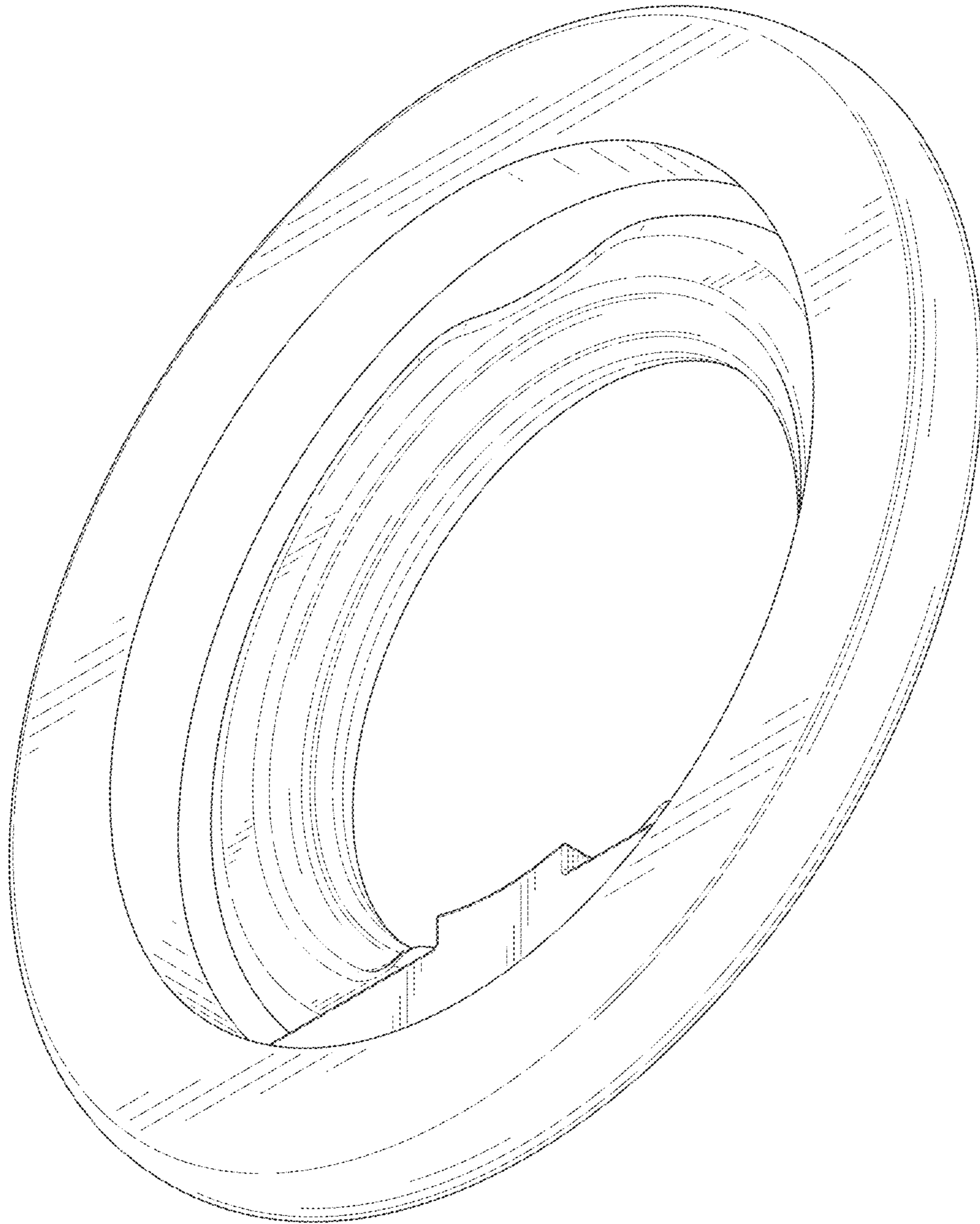


FIG. 2

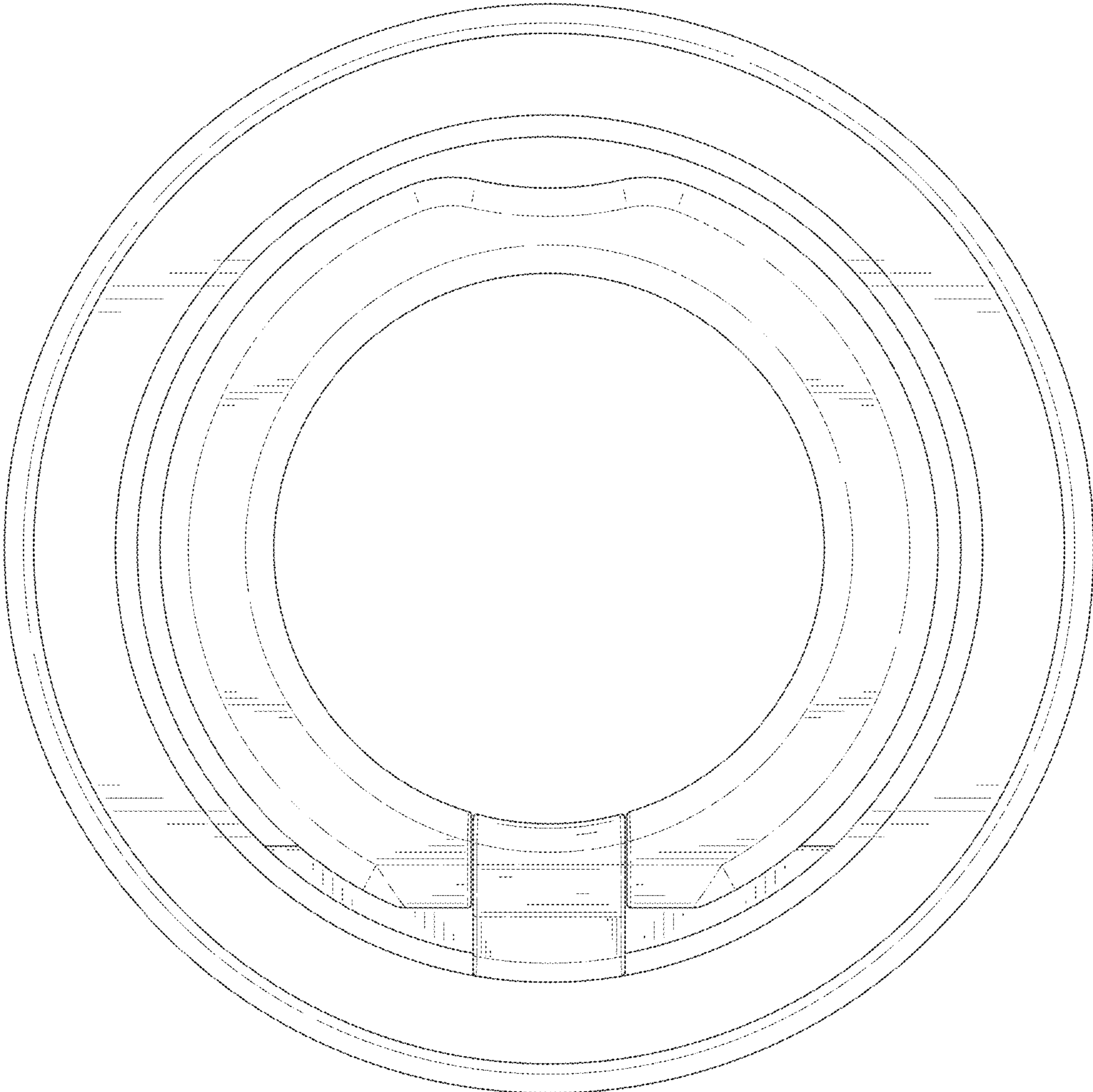


FIG. 3

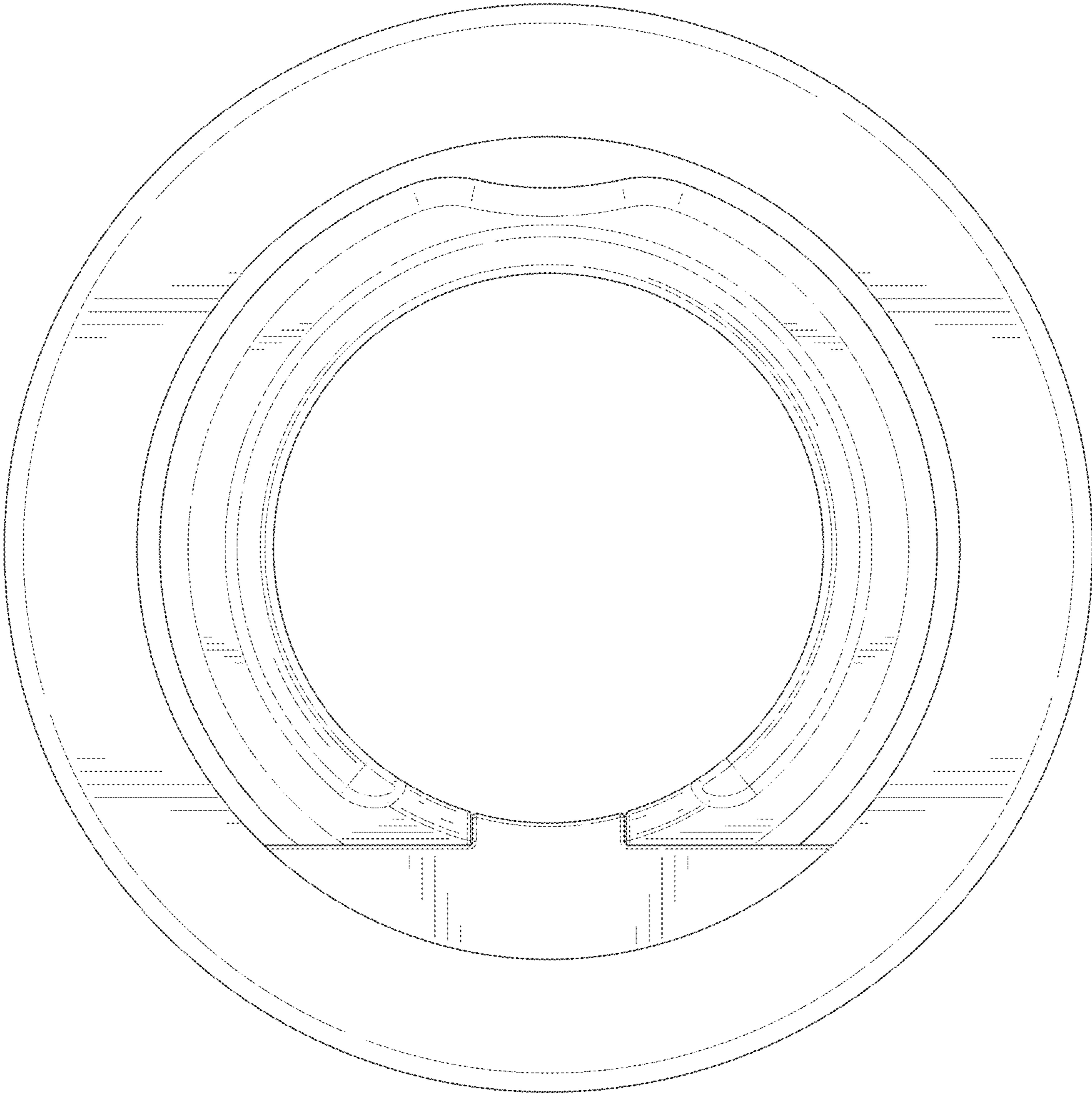


FIG. 4

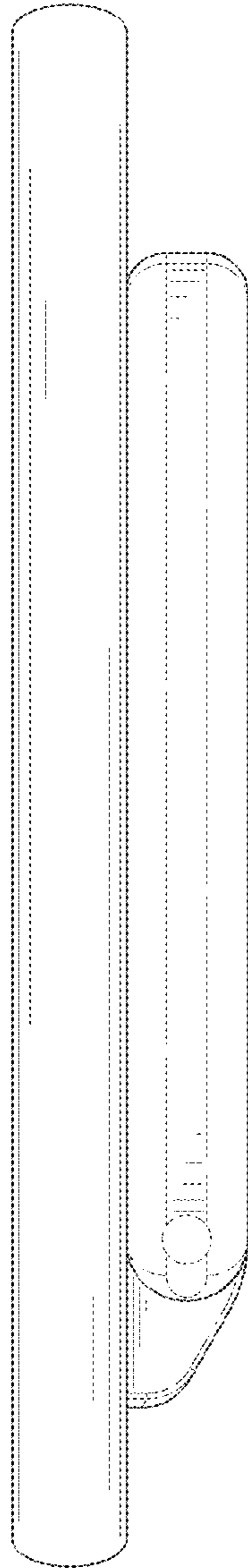


FIG. 5

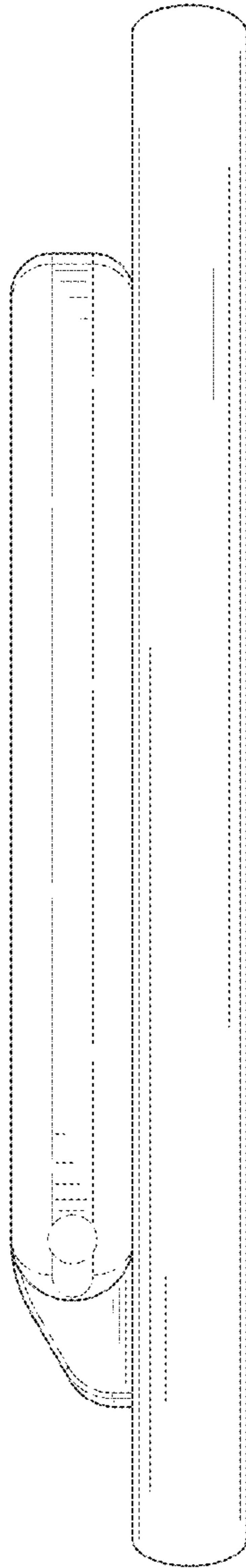


FIG. 6

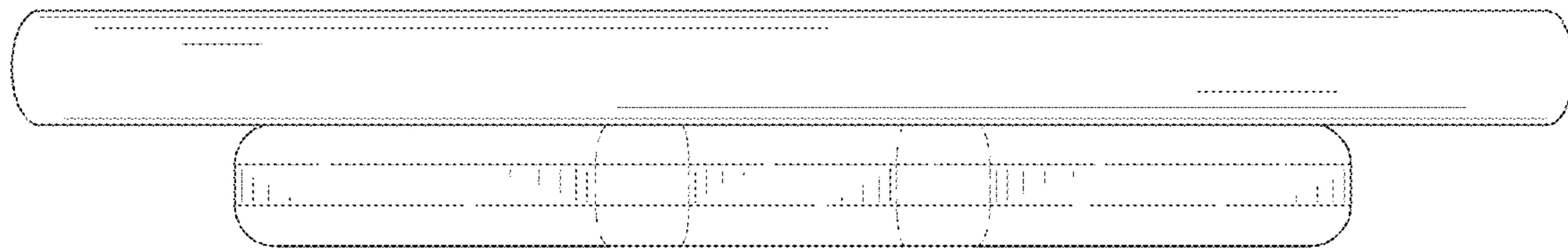


FIG. 7

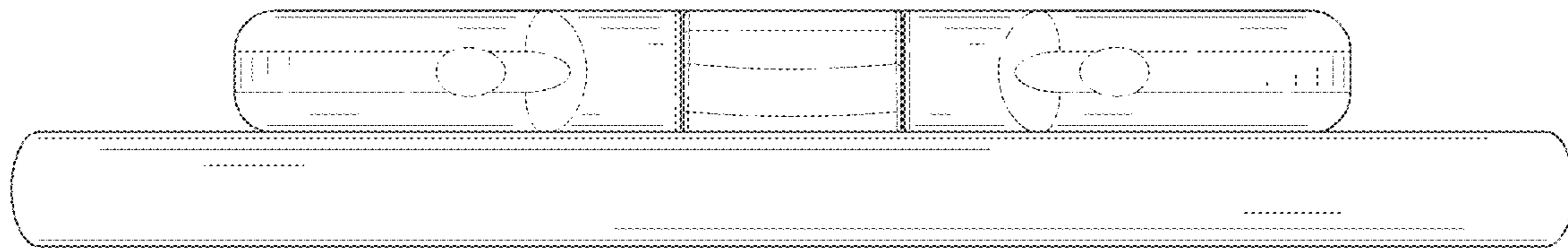


FIG. 8

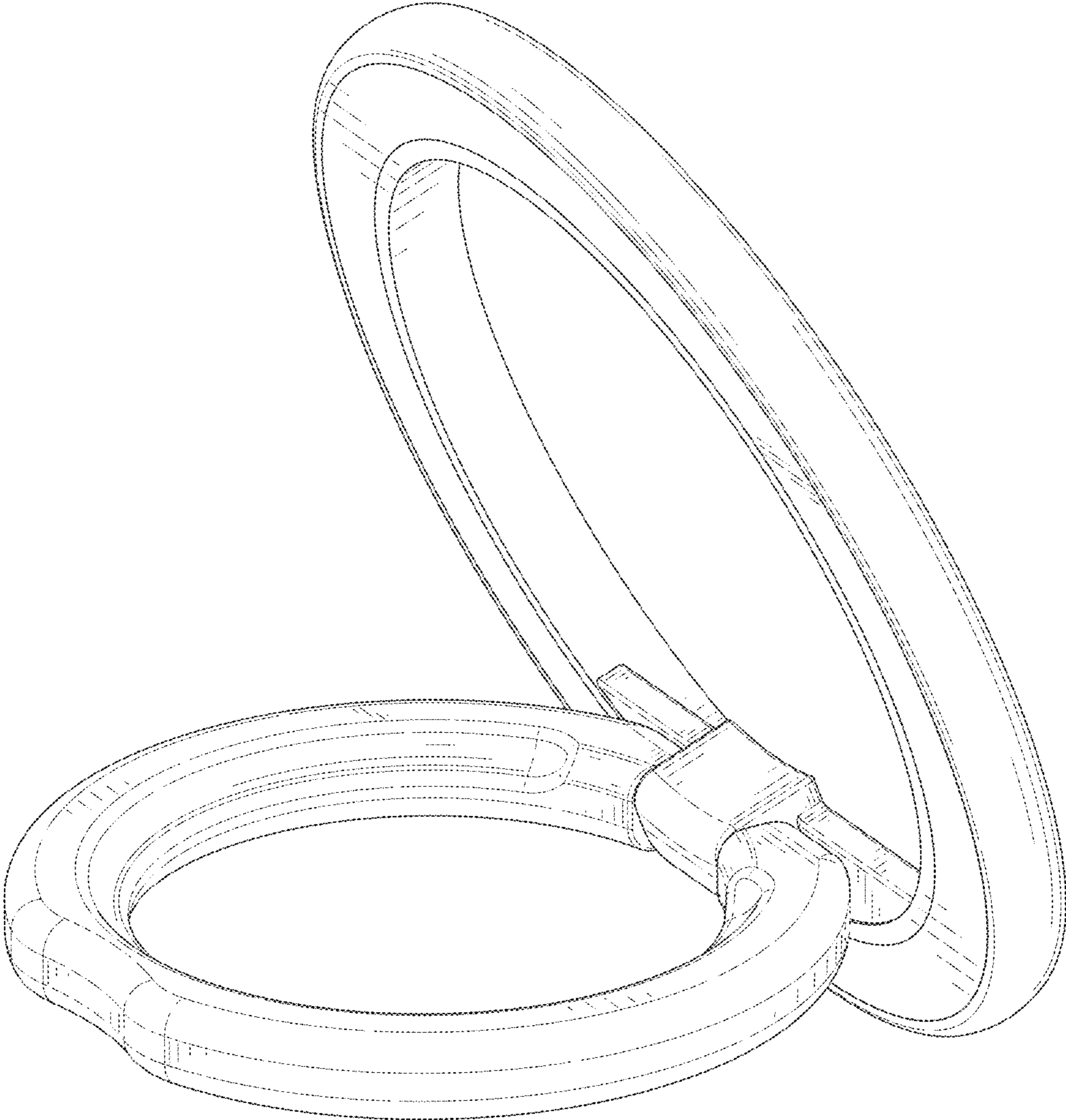


FIG. 9