



US00D965579S

(12) **United States Design Patent**
Hong

(10) **Patent No.:** **US D965,579 S**

(45) **Date of Patent:** **** Oct. 4, 2022**

(54) **COMBINED PHONE STAND AND SPEAKER**

(71) Applicant: **SHENZHEN JUSHI TECHNOLOGY CO., LTD.**, Shenzhen (CN)

(72) Inventor: **Yiyi Hong**, Quanzhou (CN)

(73) Assignee: **SHENZHEN JUSHI TECHNOLOGY CO., LTD.**, Shenzhen (CN)

(**) Term: **15 Years**

(21) Appl. No.: **29/777,696**

(22) Filed: **Apr. 8, 2021**

(51) **LOC (13) Cl.** **14-03**

(52) **U.S. Cl.**
USPC **D14/252**

(58) **Field of Classification Search**

USPC D16/130–136, 237, 239, 241, 242, 250,
D16/221, 222, 225, 229, 235, 236, 200,
D16/203, 204, 208, 214, 218, 219, 220;
D22/108, 109; D12/415; D3/218;
D14/140, 140.8, 142, 168, 204, 251–256,
D14/447, 440

CPC H04M 1/04; H04M 1/06; H04M 1/11;
H04M 1/12; H04M 1/13; G02B 23/16;
G02B 7/02; G02B 7/021; G02B 7/04;
G02B 7/14; G02B 7/003; C03B 2215/46;
H04R 2205/021

See application file for complete search history.

(56) **References Cited**

U.S. PATENT DOCUMENTS

6,637,139 B1 * 10/2003 Chan A45D 42/18
40/733
D488,493 S * 4/2004 Stachowski D16/135
D611,451 S * 3/2010 Wang D14/209.1
7,828,260 B2 * 11/2010 Hauser A47B 23/043
248/920
D689,476 S 9/2013 Alexander
8,567,740 B2 * 10/2013 Tarnutzer B42D 9/00
361/679.55

(Continued)

OTHER PUBLICATIONS

Werfami Phone Screen Magnifier with Bluetooth Speaker, <https://www.amazon.com/Magnifier-Bluetooth-Foldable-Compatible-Smartphones/dp/B09J7M8KX5/>, Oct. 12, 2021 (Year: 2021).*

Primary Examiner — Richard Kearney

Assistant Examiner — Benjamin M Weeks

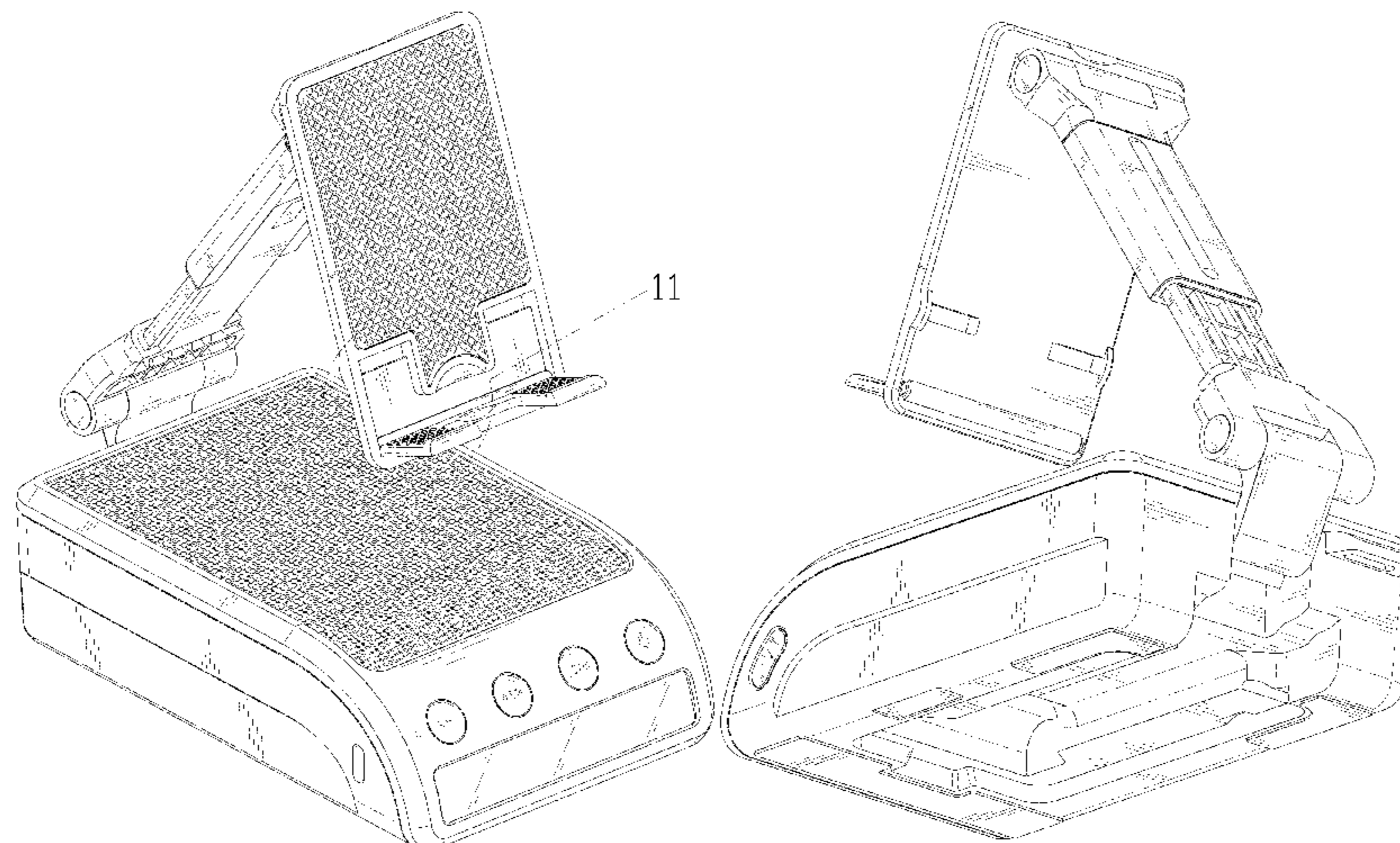
(57) **CLAIM**

The ornamental design for a combined phone stand and speaker, as shown and described.

DESCRIPTION

FIG. 1 is a perspective view of a combined phone stand and speaker showing my new design;
FIG. 2 is another perspective view thereof;
FIG. 3 is a front elevational view thereof;
FIG. 4 is a rear elevational view thereof;
FIG. 5 is a left side elevational view thereof;
FIG. 6 is a right side elevational view thereof;
FIG. 7 is a top plan view thereof;
FIG. 8 is a bottom plan view thereof;
FIG. 9 is a perspective view of the combined phone stand and speaker where the combined phone stand and speaker is in a first configuration of use;
FIG. 10 is a perspective view of the combined phone stand and speaker where the combined phone stand and speaker is in a second configuration of use;
FIG. 11 is an enlarged view of portion 11 shown in FIG. 1; and,
FIG. 12 is an enlarged view of portion 12 shown in FIG. 3.
The broken lines in the drawings depict portions of the combined phone stand and speaker that form no part of the claimed design. The broken lines showing a mobile phone in FIG. 10 are for the purpose of illustrating environment and form no part of the claimed design.

1 Claim, 12 Drawing Sheets



(56)

References Cited

U.S. PATENT DOCUMENTS

9,420,362 B1 * 8/2016 Daley H04R 1/02
9,628,913 B2 4/2017 Miller et al.
9,813,533 B1 * 11/2017 Ye H04M 1/11
D839,869 S * 2/2019 Wang D14/447
D874,452 S * 2/2020 Chen D14/252
D884,045 S * 5/2020 Lin D16/135
D910,103 S * 2/2021 Park D16/135
D929,986 S * 9/2021 Chen D14/253
D944,306 S * 2/2022 Wang D16/135
D945,510 S * 3/2022 Lin D16/135
D946,640 S * 3/2022 Lin D16/135
D947,269 S * 3/2022 Lin D16/135
D952,725 S * 5/2022 Wang D16/135
2007/0236868 A1 * 10/2007 Hsieh H04R 5/02
361/600
2010/0158303 A1 * 6/2010 Tse H04R 5/02
381/386
2017/0223862 A1 * 8/2017 Justiss F16M 13/022

* cited by examiner

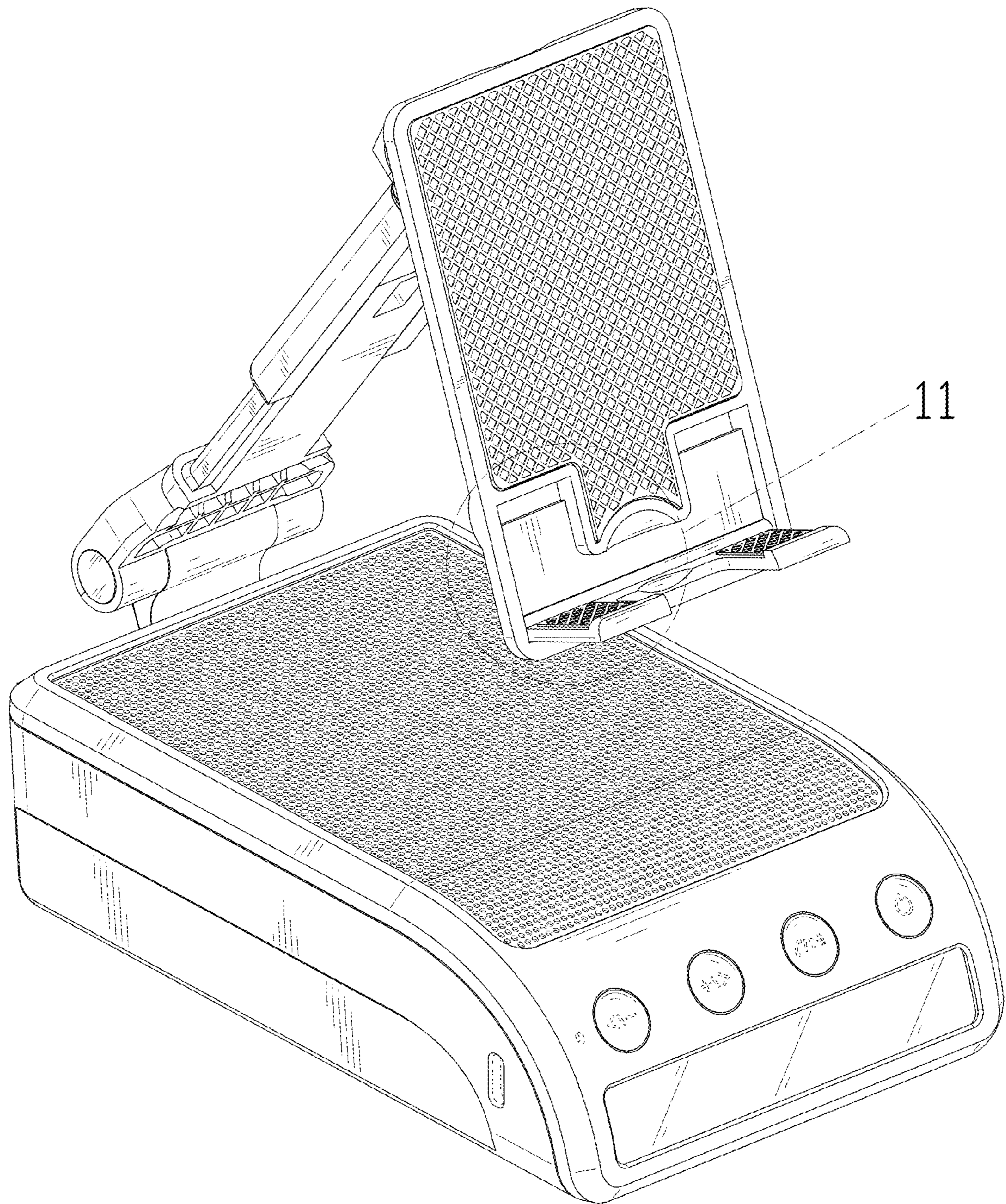


FIG. 1

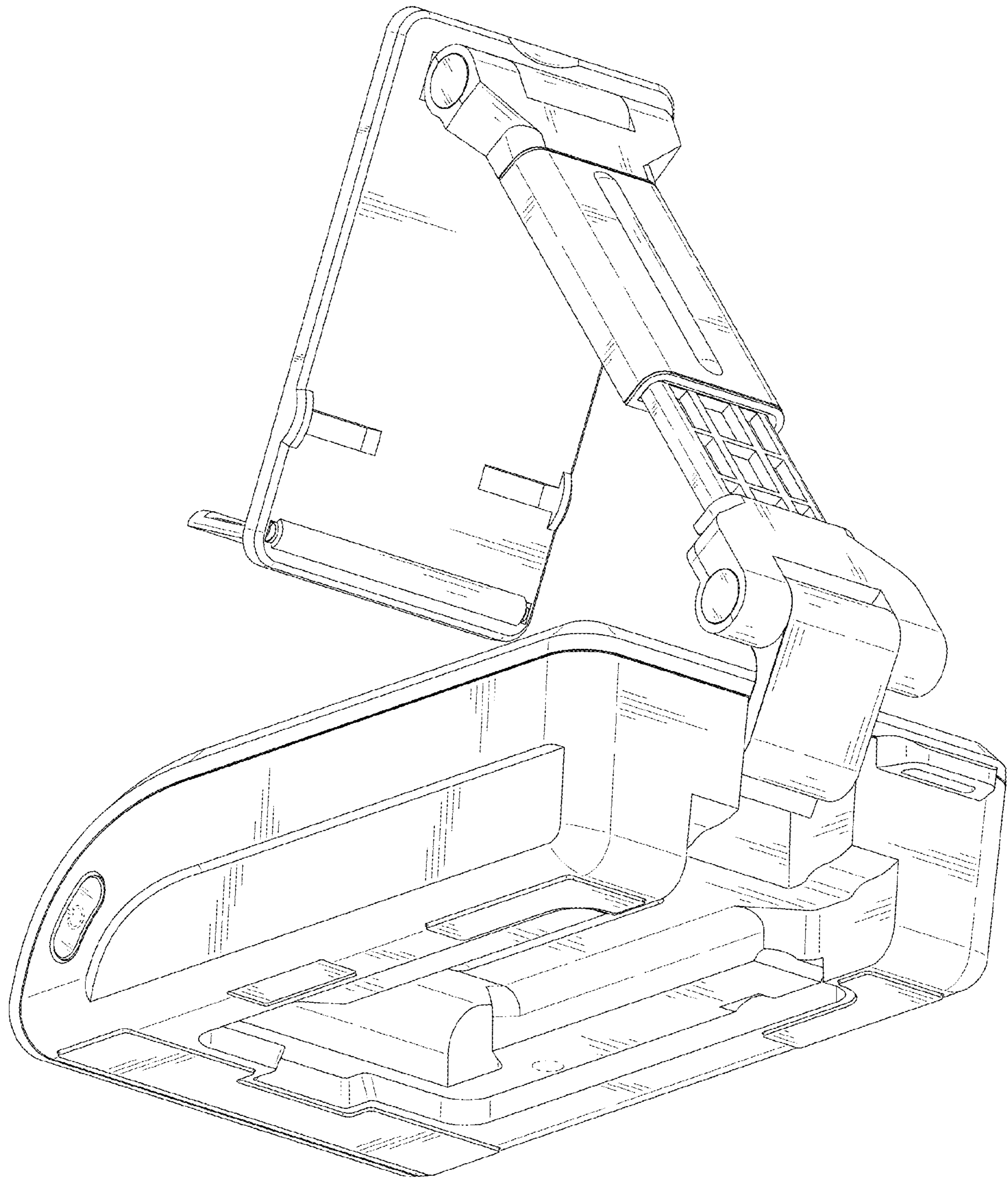


FIG. 2

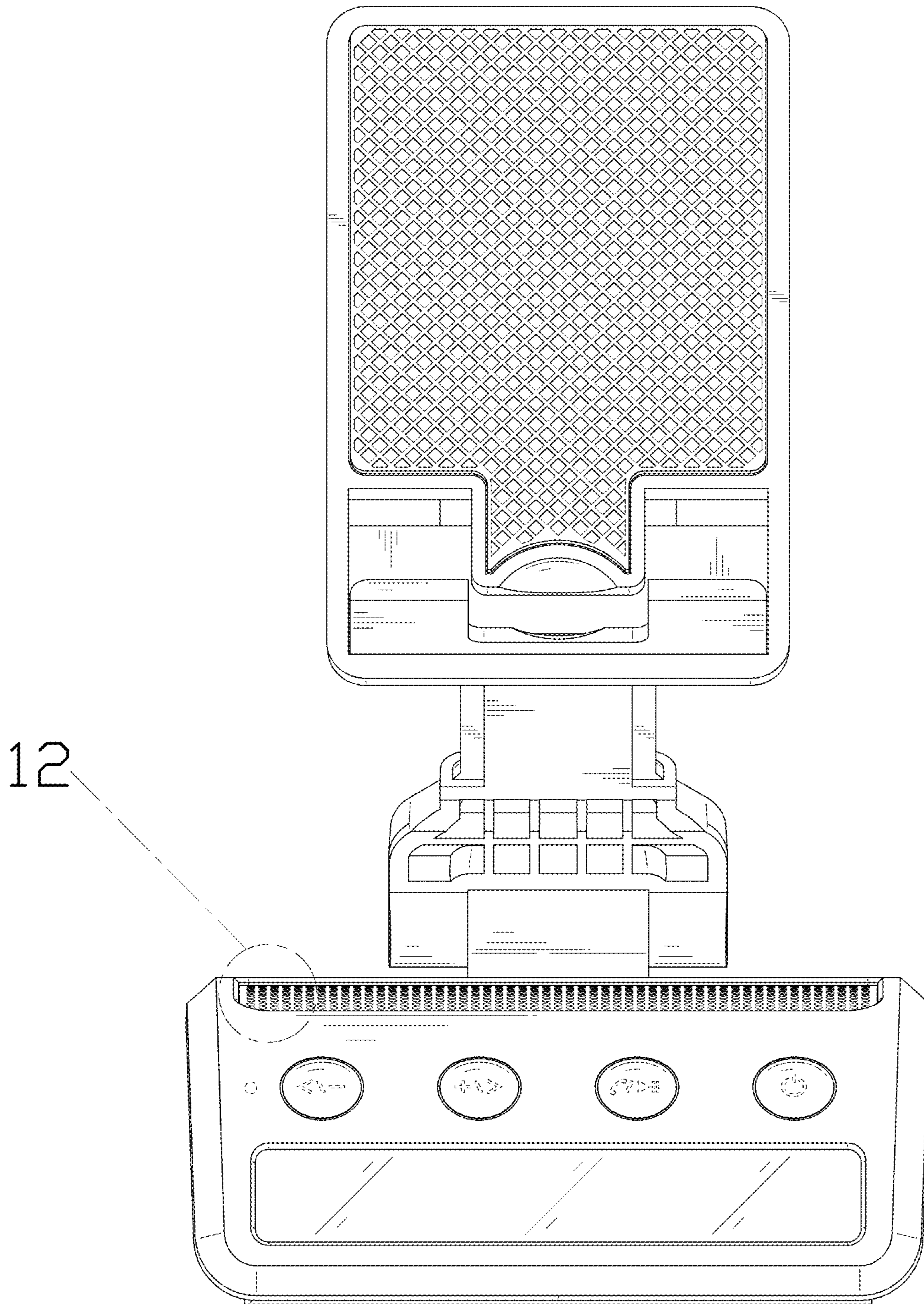


FIG. 3

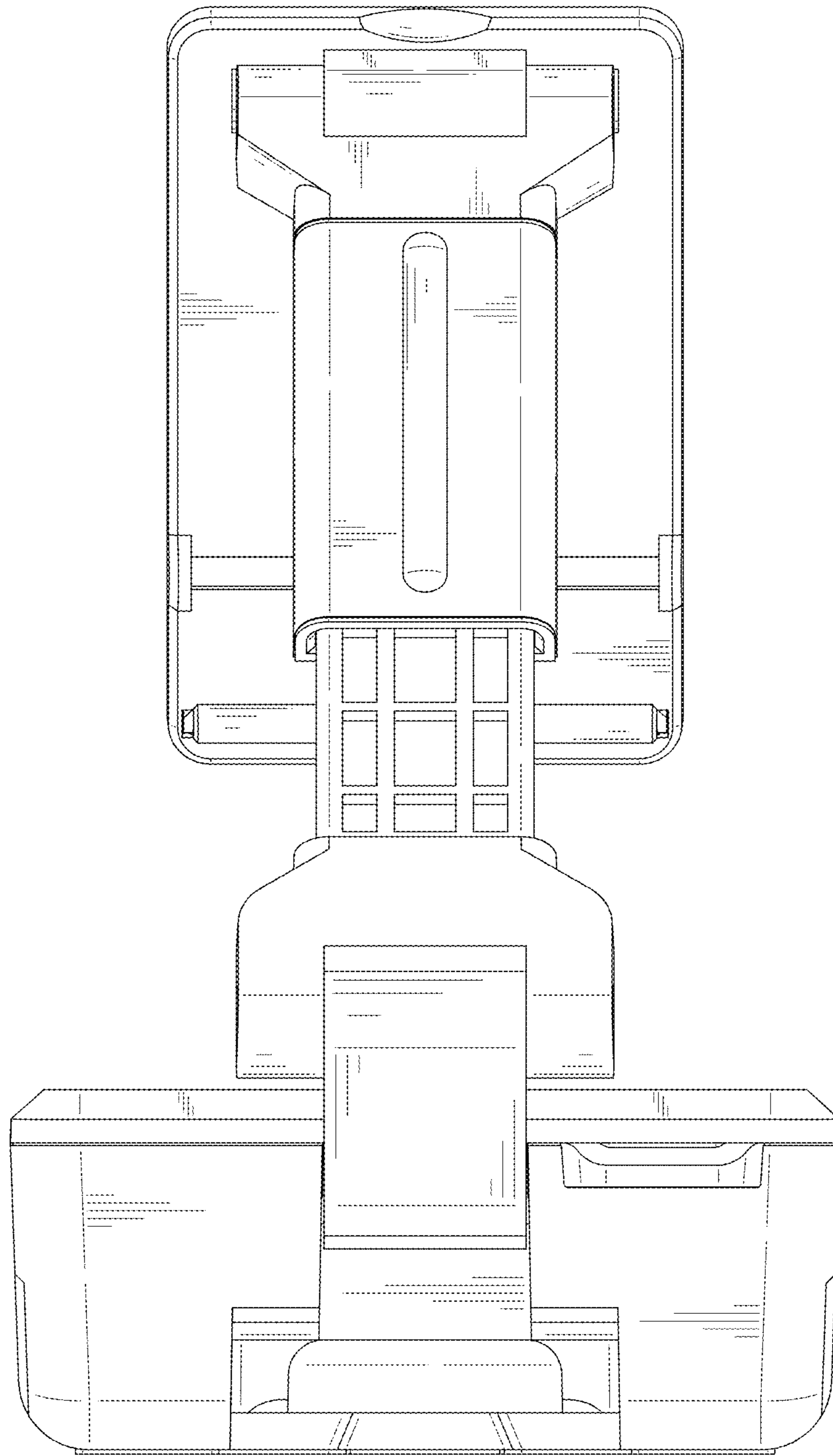


FIG. 4

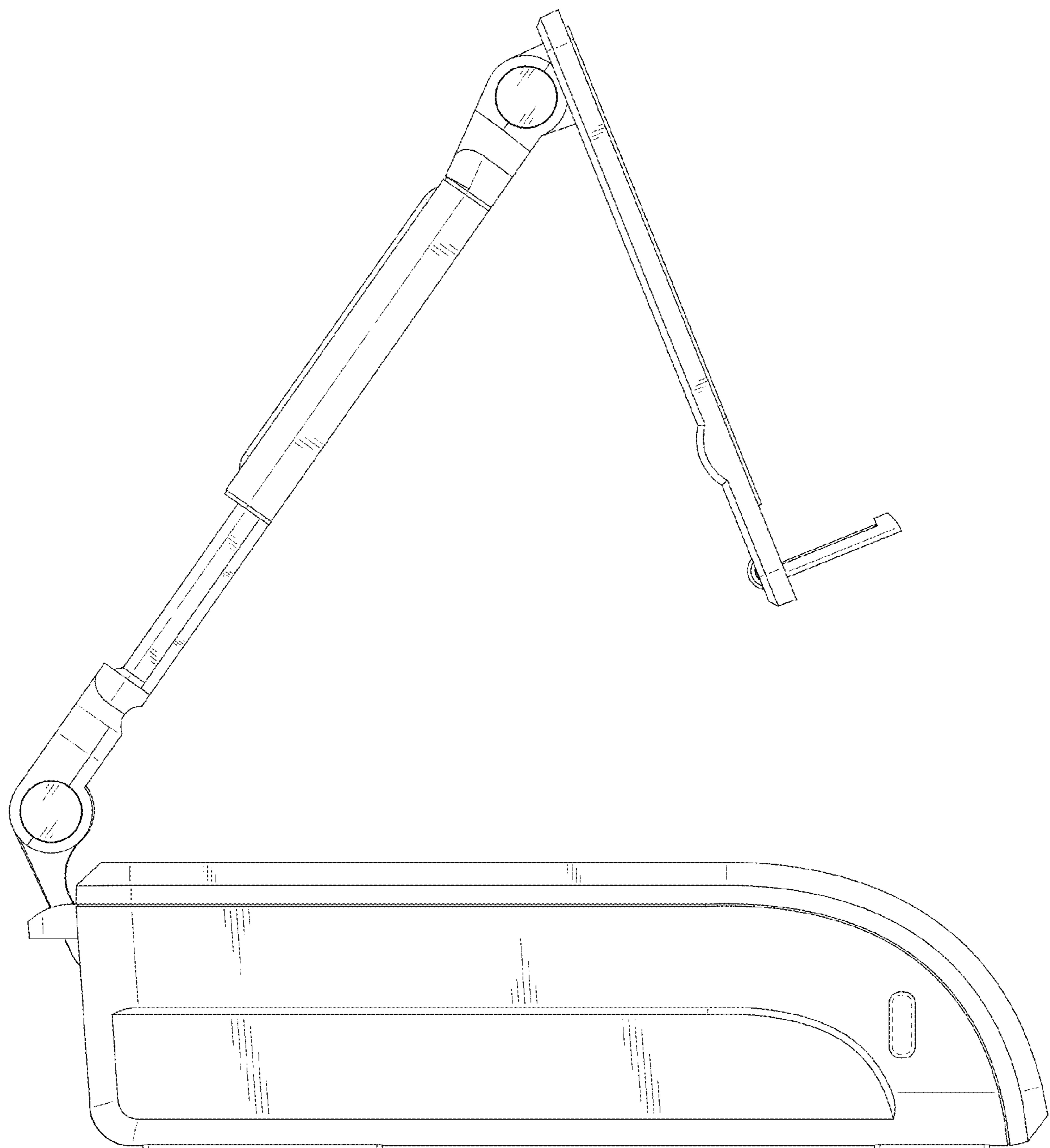


FIG. 5

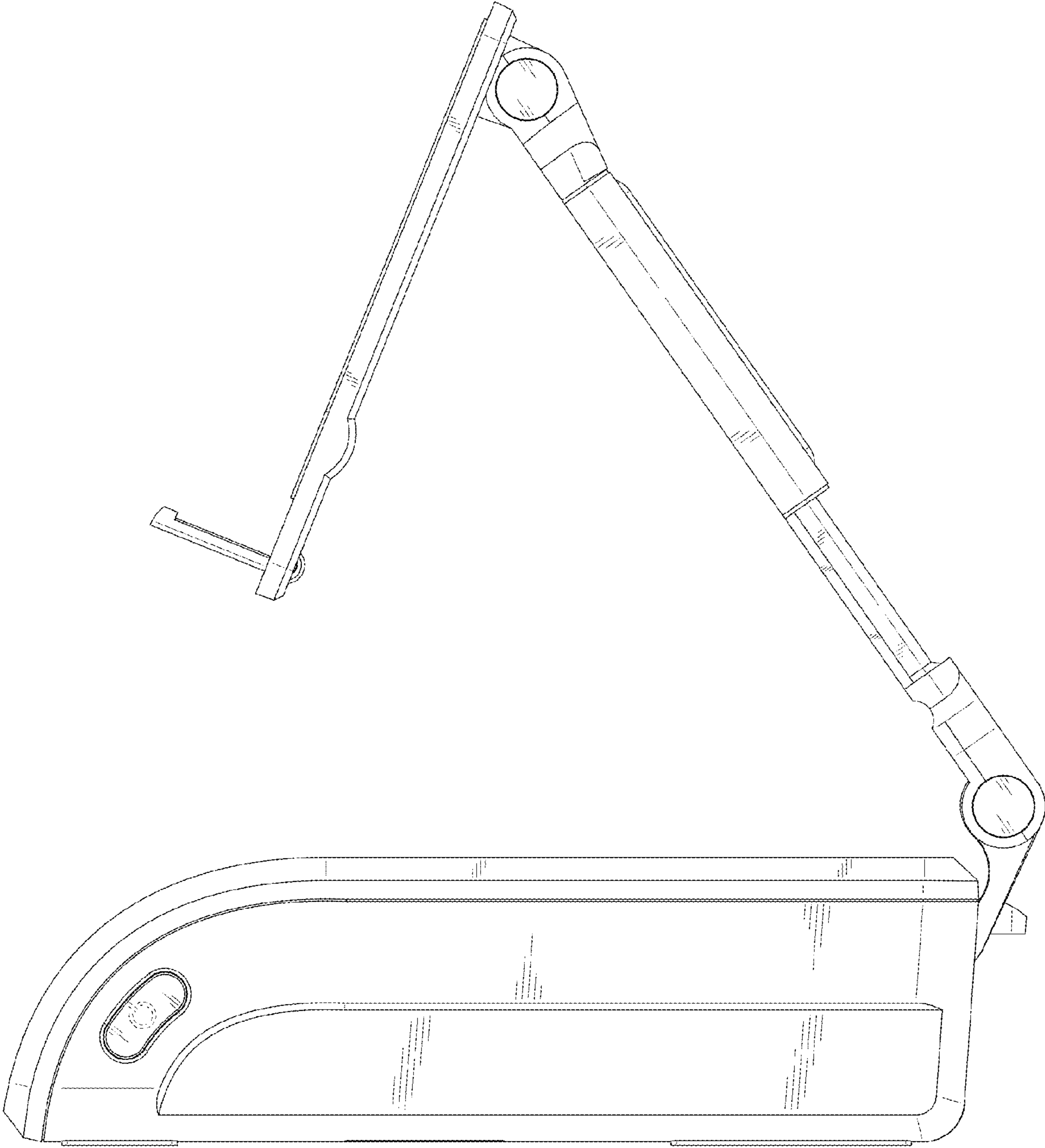


FIG. 6

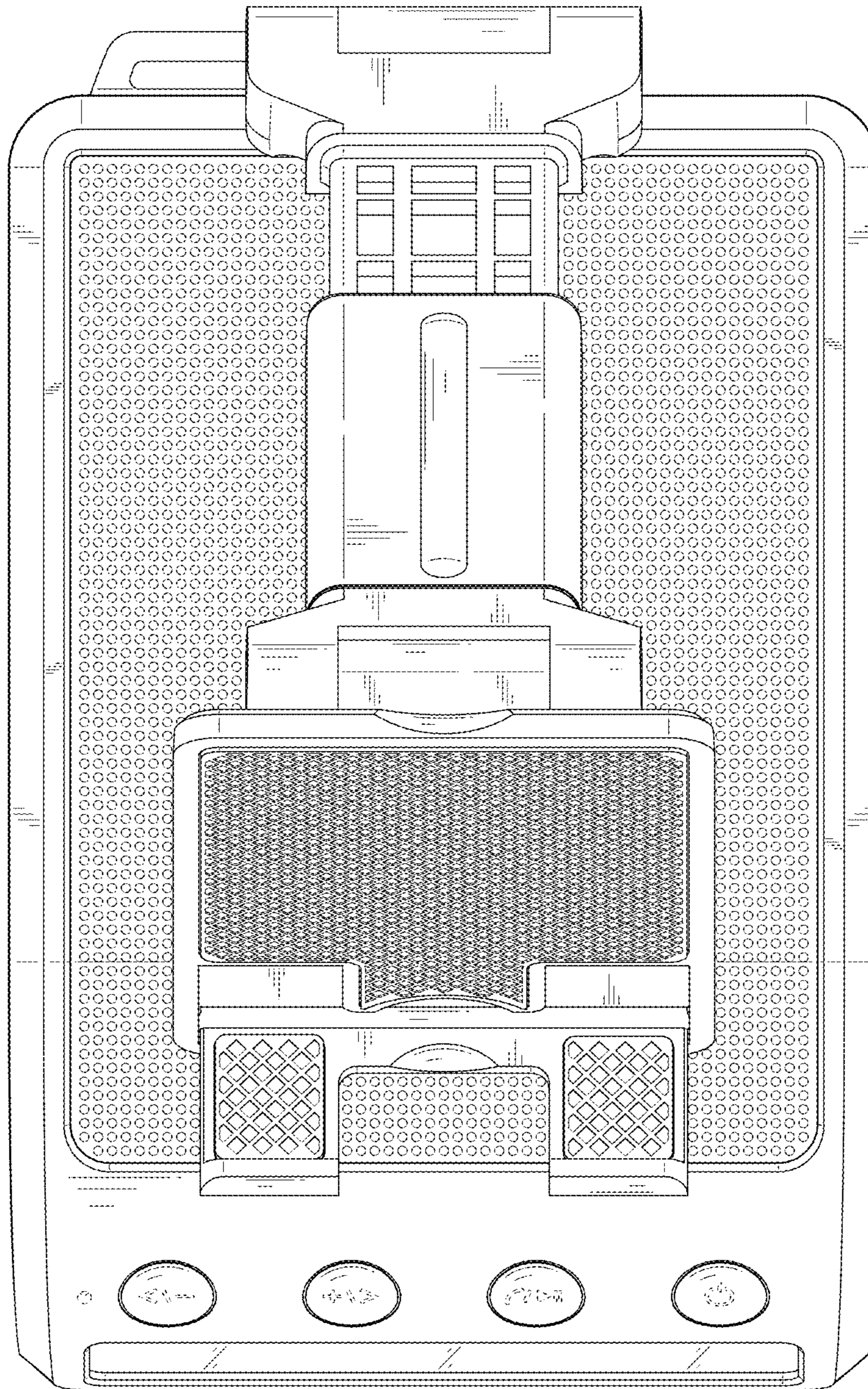


FIG. 7

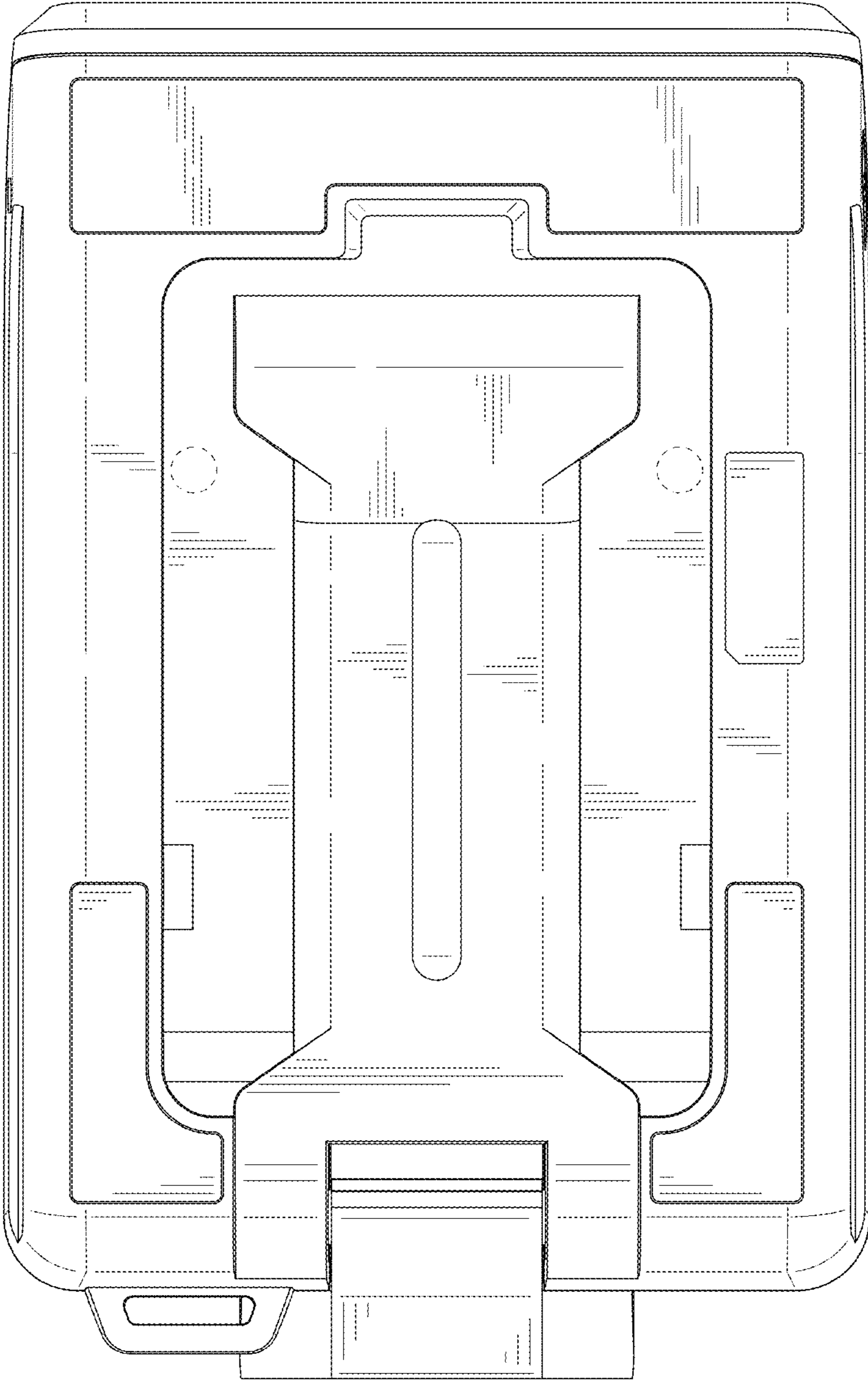


FIG. 8

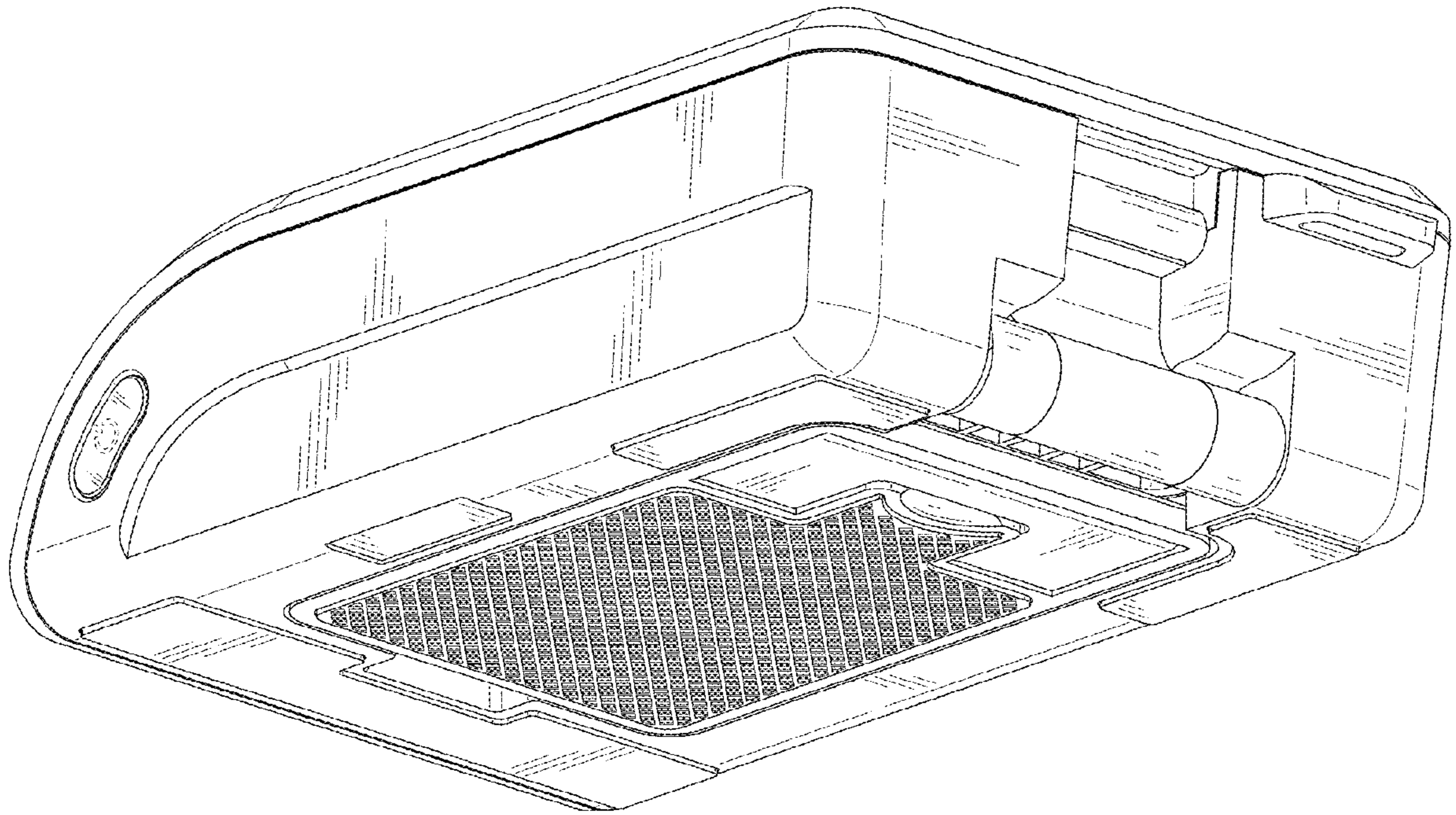


FIG. 9

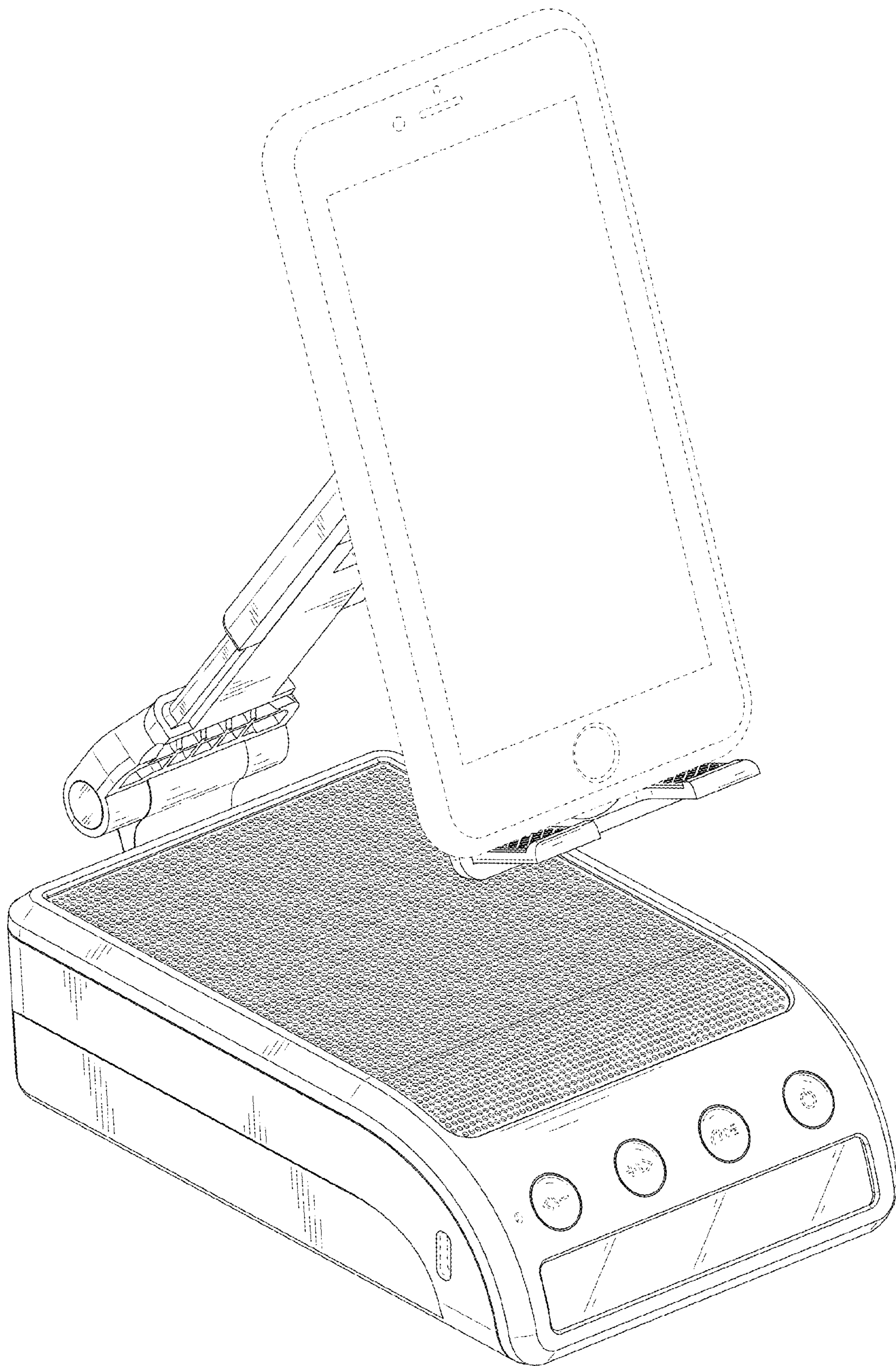


FIG. 10

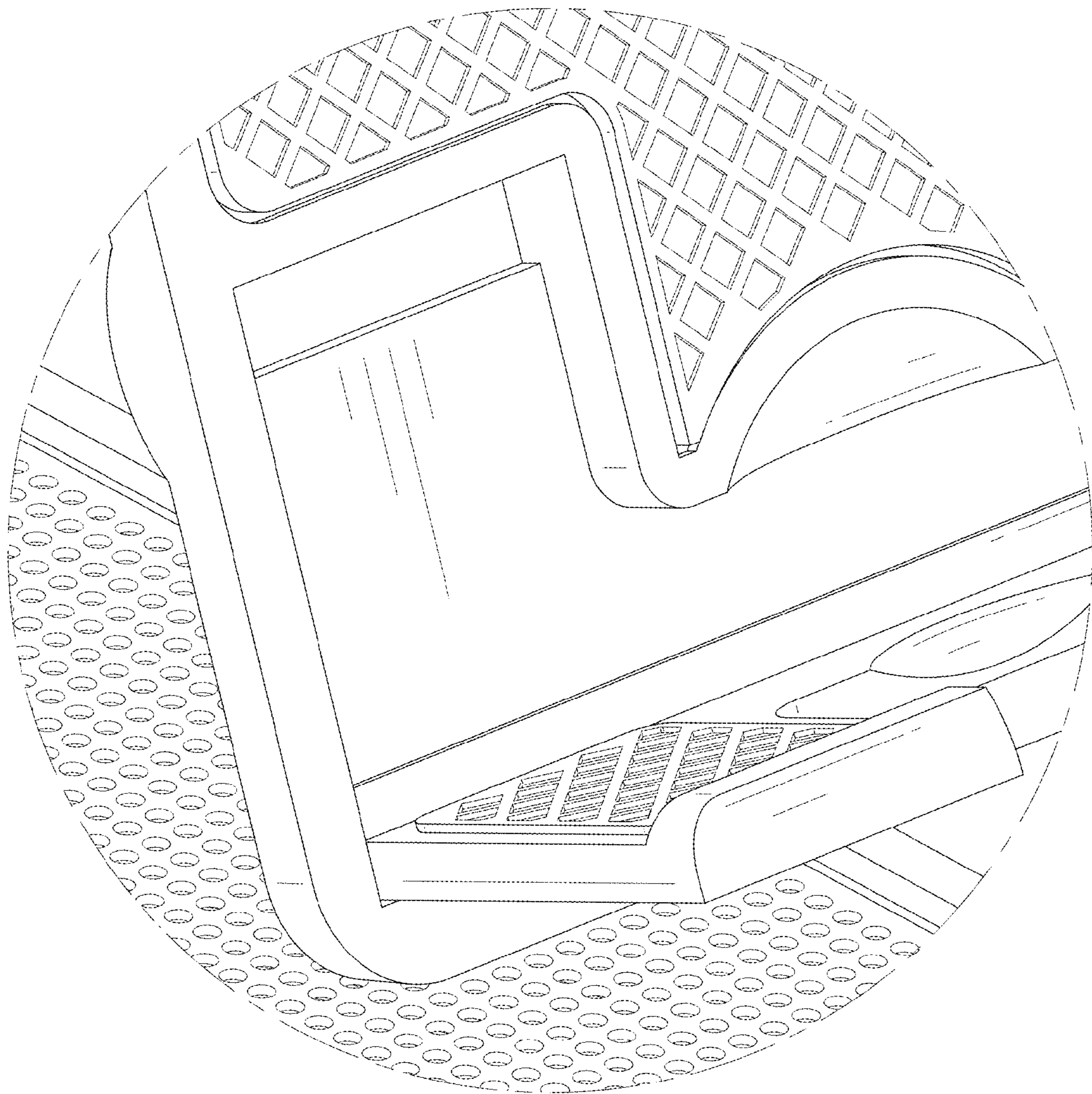


FIG. 11

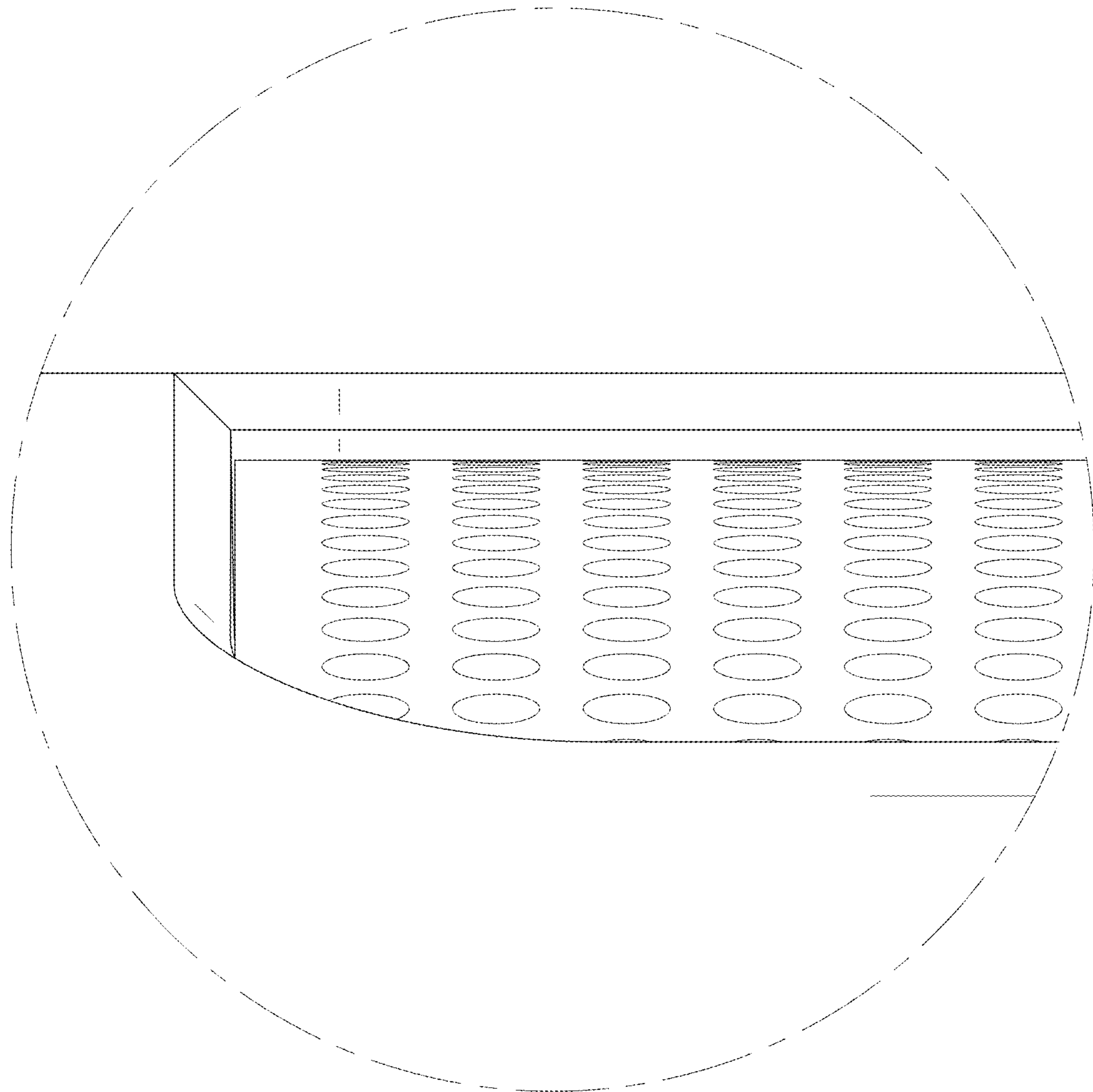


FIG. 12