



US00D965578S

(12) **United States Design Patent** (10) **Patent No.:** **US D965,578 S**
Liu (45) **Date of Patent:** **** Oct. 4, 2022**

(54) **PHONE CASE**

(71) Applicant: **Ying Liu**, Shenzhen (CN)

(72) Inventor: **Ying Liu**, Shenzhen (CN)

(**) Term: **15 Years**

(21) Appl. No.: **29/831,424**

(22) Filed: **Mar. 21, 2022**

(51) **LOC (13) Cl.** **14-03**

(52) **U.S. Cl.**
USPC **D14/250**; D14/249

(58) **Field of Classification Search**

USPC D14/203.3–203.7, 439, 447, 251–253,
D14/217, 240, 238.1, 440, 248, 250;
D13/103, 107–108, 119; D3/201, 218,
D3/247, 249, 269, 273, 301, 303
CPC H04B 1/3888; A45C 13/02; A45C 11/00;
A45C 2011/002; A45C 1/06; A45F
2200/0525; A45F 2005/026; A45F
2200/0516; H04M 1/0283; H04M 1/0202
See application file for complete search history.

(56) **References Cited**

U.S. PATENT DOCUMENTS

D700,599 S * 3/2014 Kim D14/250
D714,054 S * 9/2014 Kershenstein D3/269
D733,694 S * 7/2015 Kim D14/250
9,118,390 B2 * 8/2015 Lin H04B 1/3888

(Continued)

Primary Examiner — Carla J Wright

(74) *Attorney, Agent, or Firm* — Zhihua Han

(57) **CLAIM**

The ornamental design for a phone case, as shown and described.

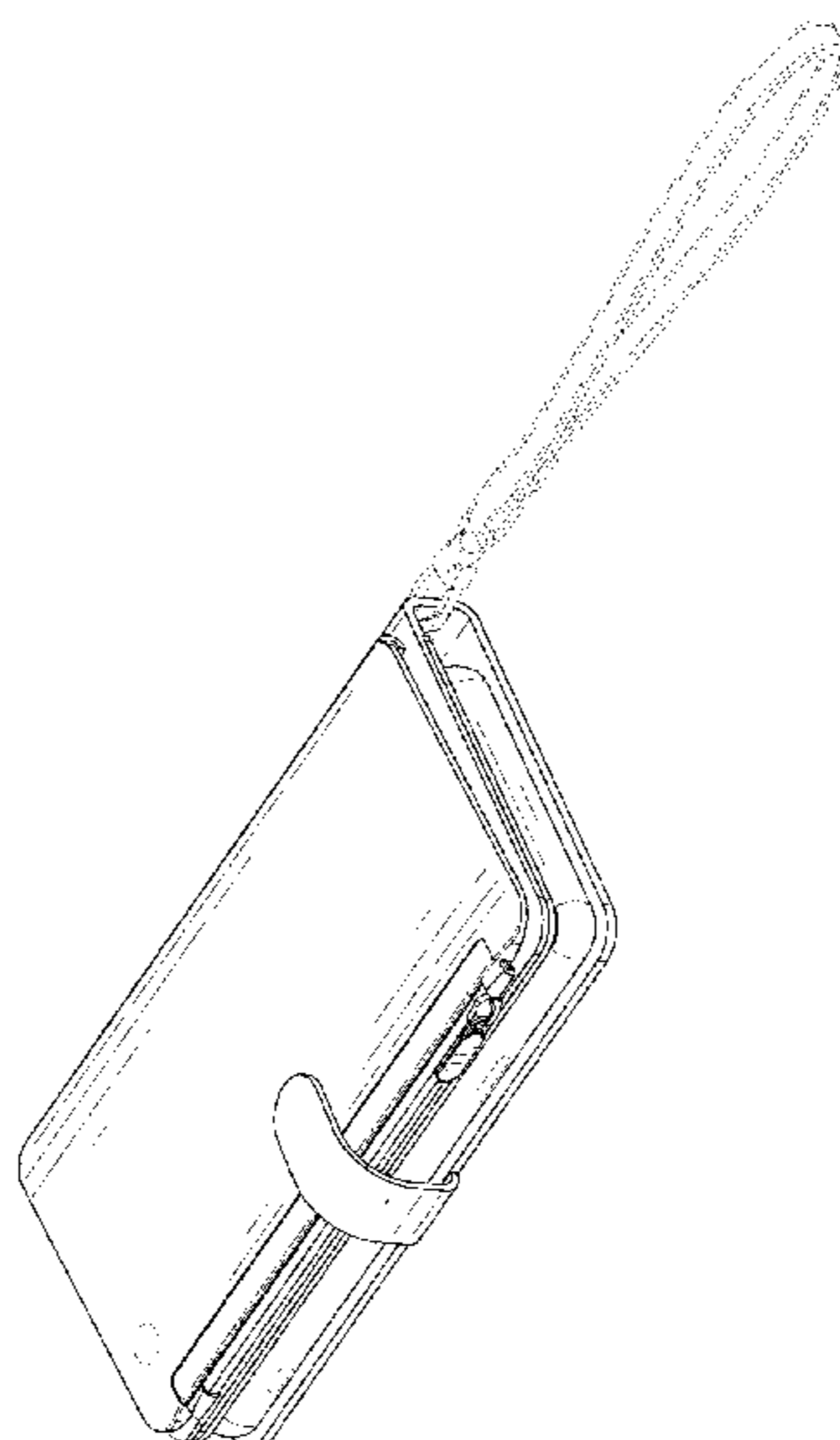
DESCRIPTION

FIG. 1 is a first perspective view of a first embodiment of a phone case showing my new design with the phone case in an open configuration;

FIG. 2 is a second perspective view thereof;
FIG. 3 is a front view thereof;
FIG. 4 is a back view thereof;
FIG. 5 is a left-side view thereof;
FIG. 6 is a right-side view thereof;
FIG. 7 is a top view thereof;
FIG. 8 is a bottom view thereof;
FIG. 9 is third perspective view thereof showing the rear portion of the phone case in a closed configuration and the front flap of the phone case in an open configuration;
FIG. 10 is a fourth perspective view thereof showing the phone case in a closed configuration;
FIG. 11 is a fifth perspective view thereof;
FIG. 12 is a first perspective view of a second embodiment of a phone case showing my new design with the phone case in an open configuration;
FIG. 13 is a second perspective view thereof;
FIG. 14 is a front view thereof;
FIG. 15 is a back view thereof;
FIG. 16 is a left-side view thereof;
FIG. 17 is a right-side view thereof;
FIG. 18 is a top view thereof;
FIG. 19 is a bottom view thereof;
FIG. 20 is third perspective view thereof showing the rear portion of the phone case in a closed configuration and the front flap of the phone case in an open configuration;
FIG. 21 is a fourth perspective view thereof showing the phone case in a closed configuration;
FIG. 22 is a fifth perspective view thereof; and,
FIG. 23 is an enlarged view of the selected portion 23 in FIG. 2.

The dot-dash broken lines in FIGS. 2 and 23 form no part of the claimed design and delineate a portion of the phone case, including claimed subject matter, that is shown on an enlarged scale in FIG. 23. The dashed broken lines throughout the drawing figures form no part of the claimed design and depict portions of the phone case that form no part of the claimed design.

1 Claim, 23 Drawing Sheets



(56)

References Cited

U.S. PATENT DOCUMENTS

9,127,898	B2 *	9/2015	Wong	G06F 1/20
D793,082	S *	8/2017	Zhang	D3/249
D793,725	S *	8/2017	Zhang	D3/249
D793,726	S *	8/2017	Zhang	D3/249
D803,558	S *	11/2017	Liu	D3/247
D814,185	S *	4/2018	Liu	D3/249
D844,596	S *	4/2019	Liu	D14/250
D856,671	S *	8/2019	Li	D3/249
D866,179	S *	11/2019	Zhao	D3/249
D869,843	S *	12/2019	Zhou	D3/249
D872,722	S *	1/2020	Zhou	D14/250
D880,855	S *	4/2020	Lu	D3/249
D884,341	S *	5/2020	Zhou	D3/249
D892,107	S *	8/2020	Zhao	D14/250
D895,599	S *	9/2020	Zhao	D14/250
D903,314	S *	12/2020	Liu	D3/249
D903,315	S *	12/2020	Liu	D3/249
11,075,662	B2 *	7/2021	Ha	H01Q 1/526
D933,645	S	10/2021	Tsang		
D938,406	S	12/2021	Li		
D938,407	S	12/2021	Ukachukwu		
D956,033	S *	6/2022	Hu	D14/250

* cited by examiner

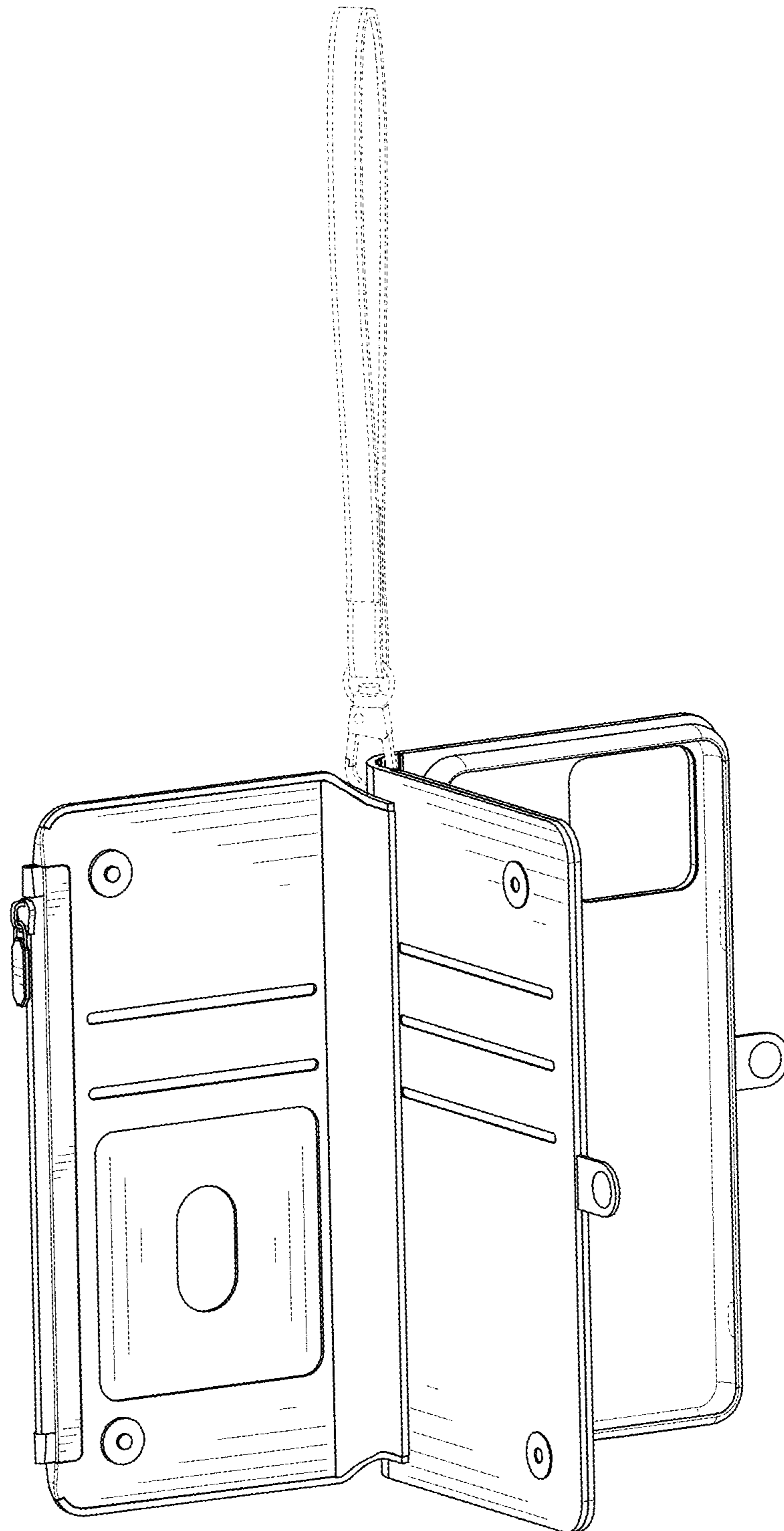


FIG. 1

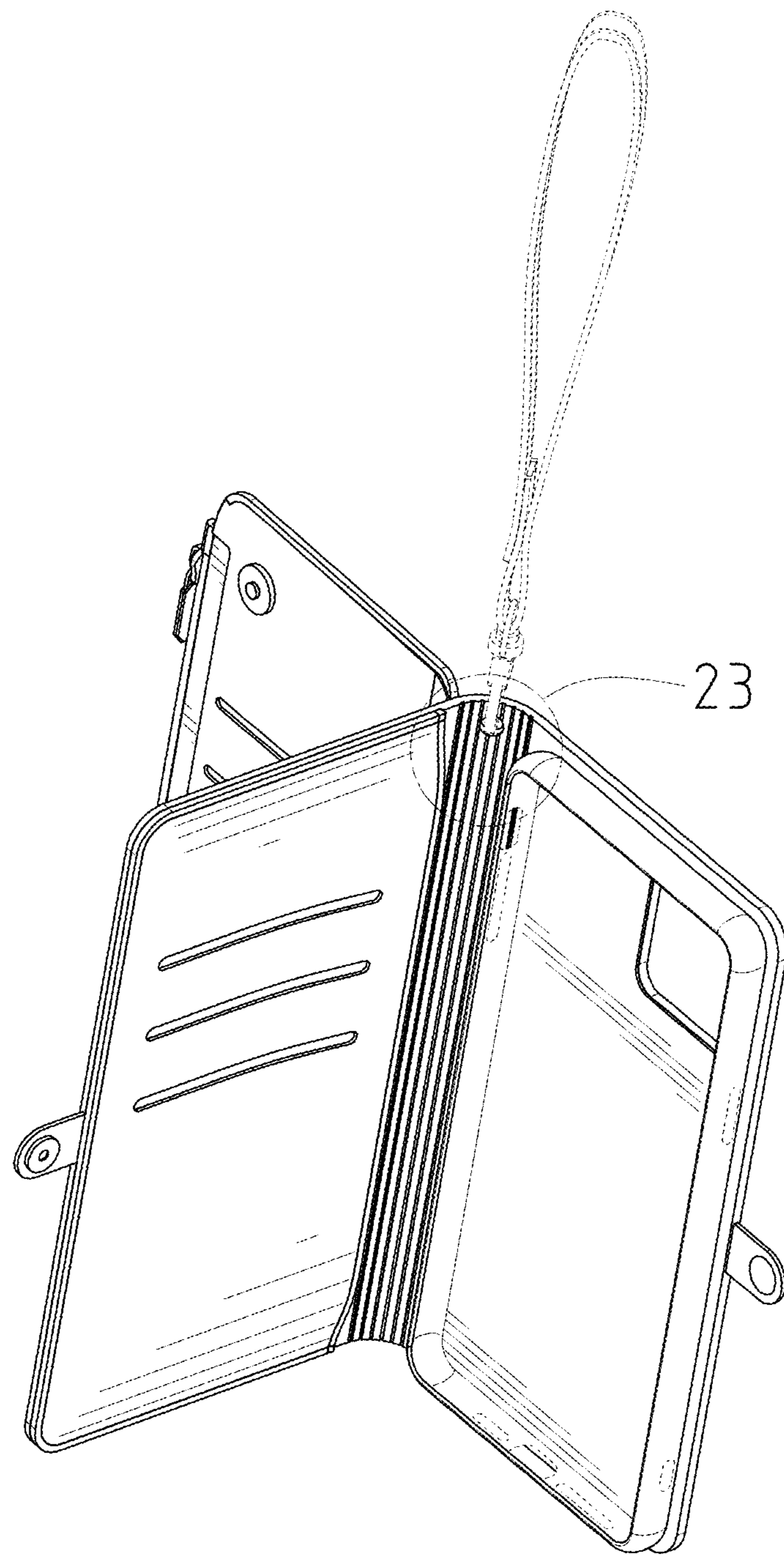


FIG. 2

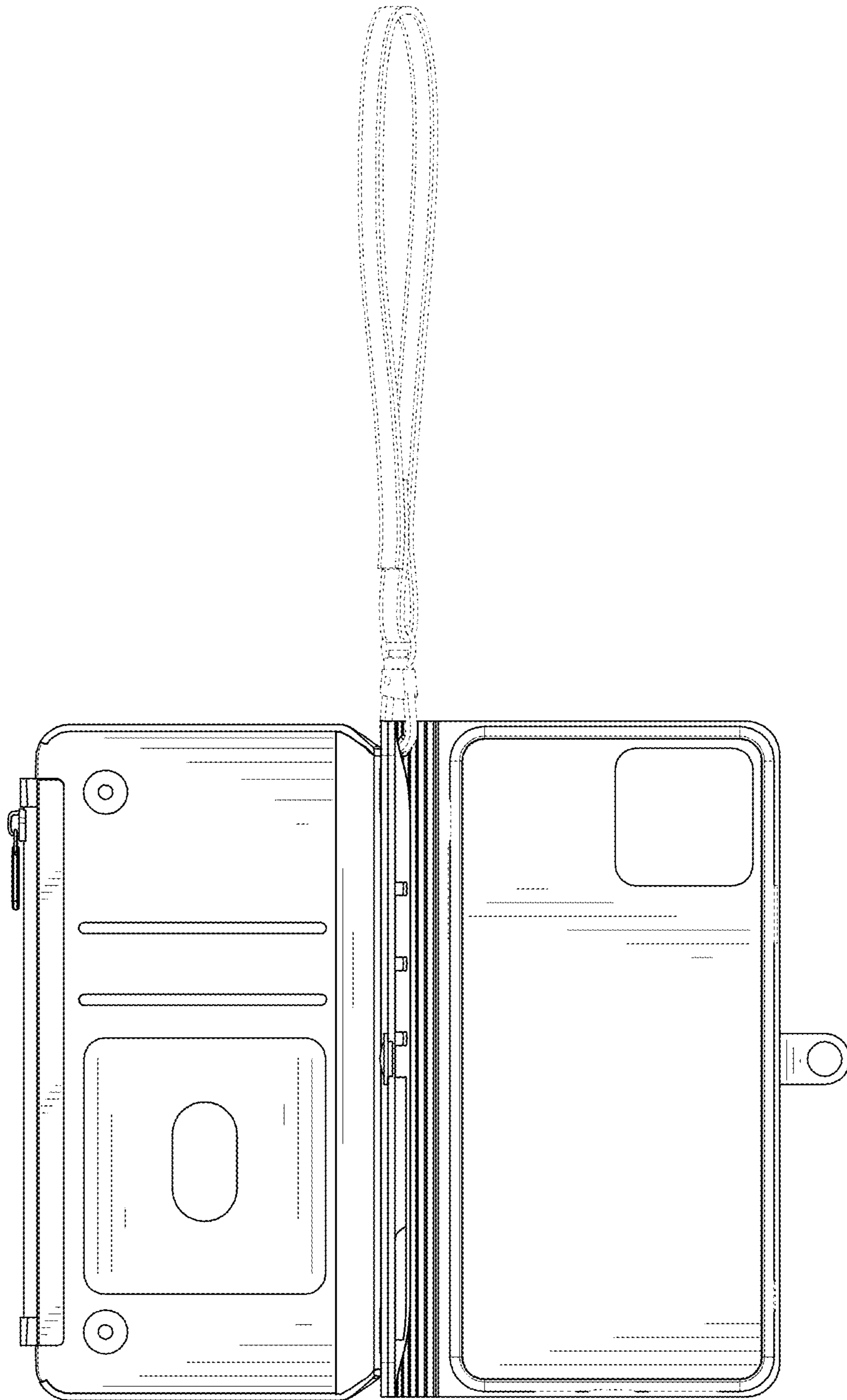


FIG. 3

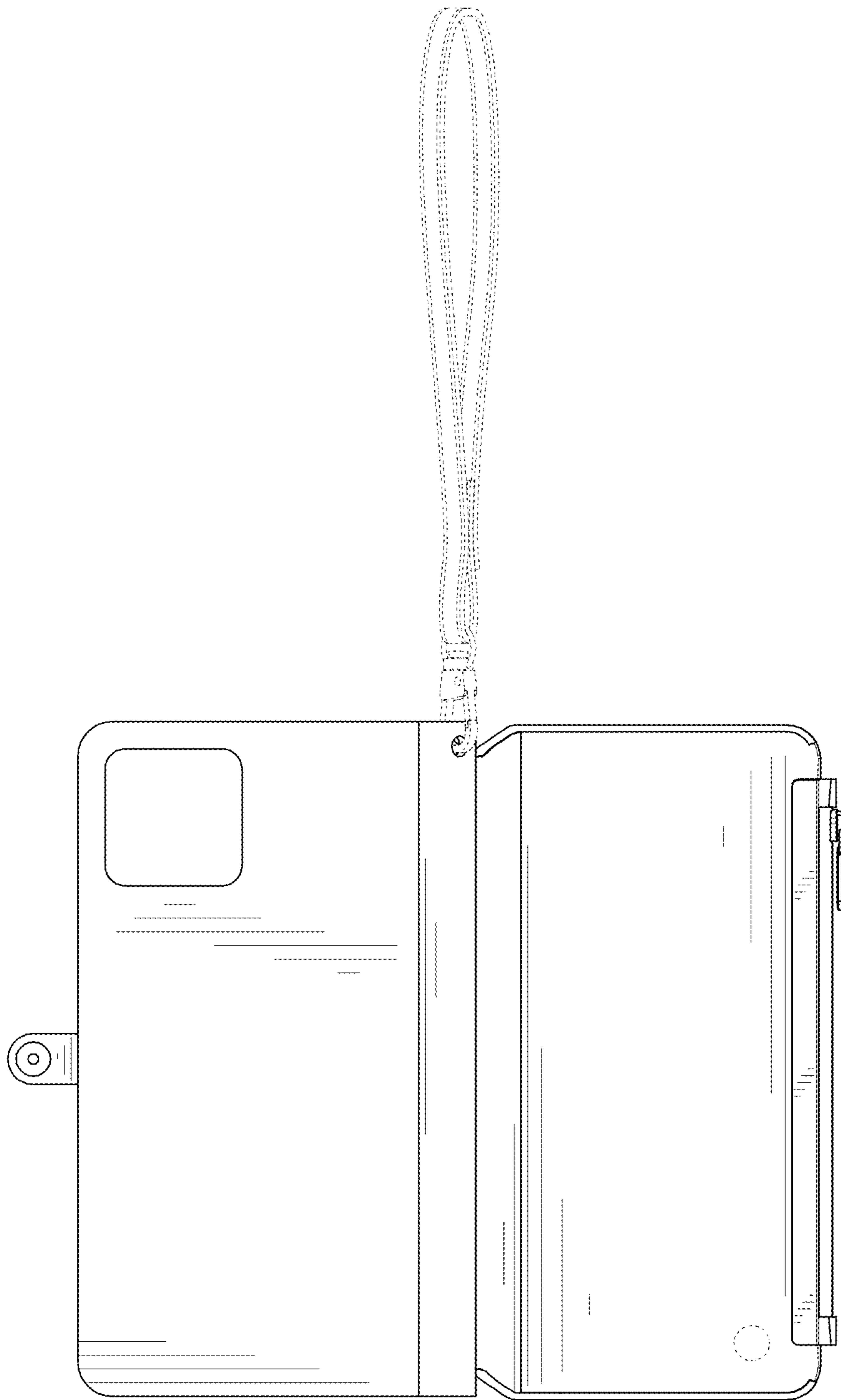


FIG. 4

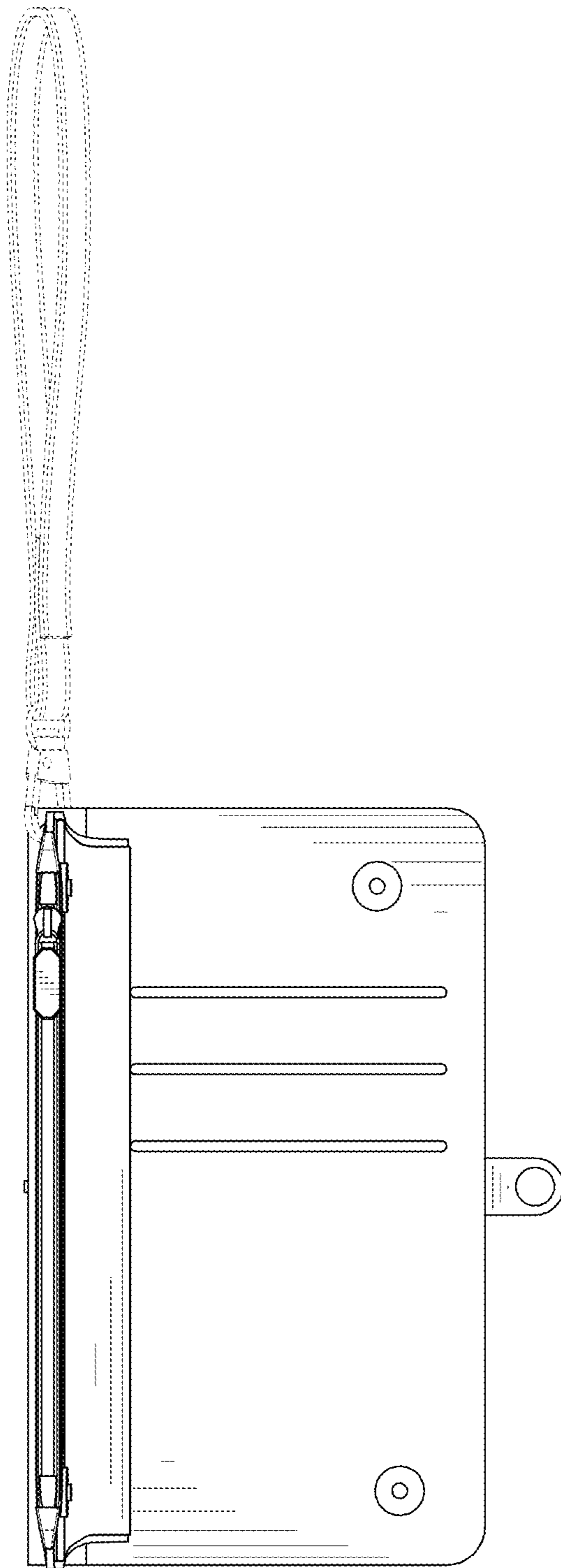


FIG. 5

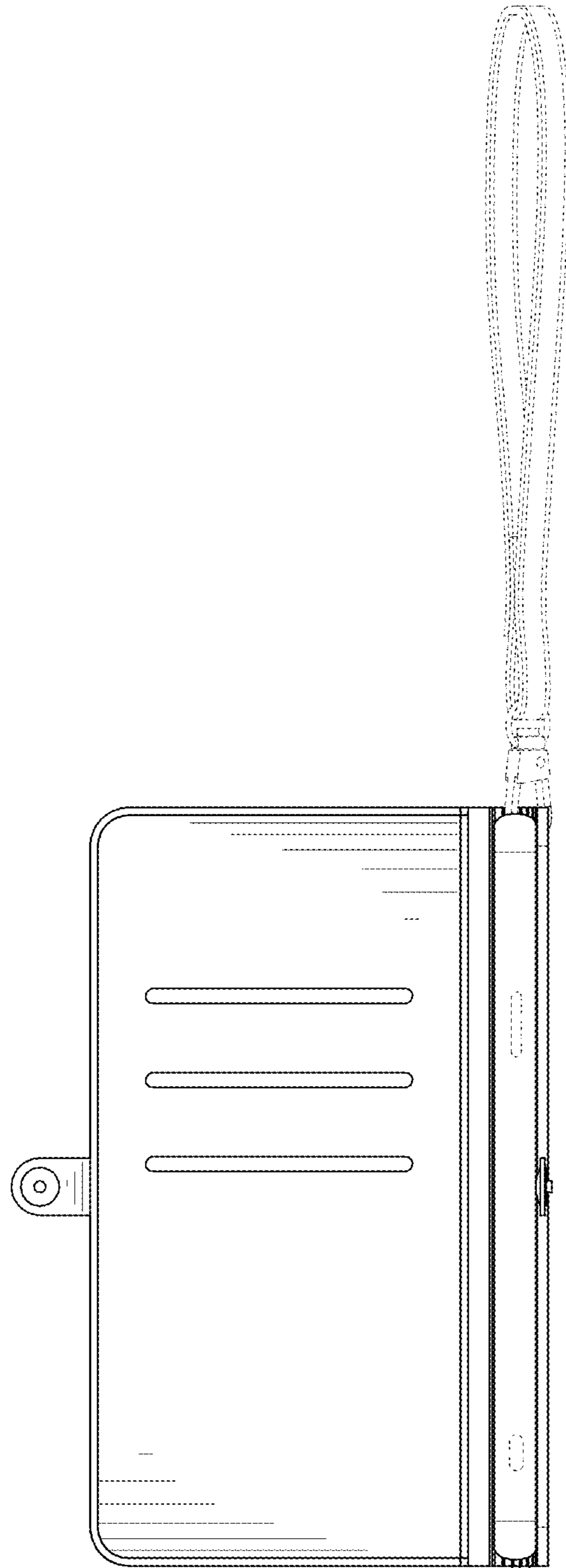


FIG. 6

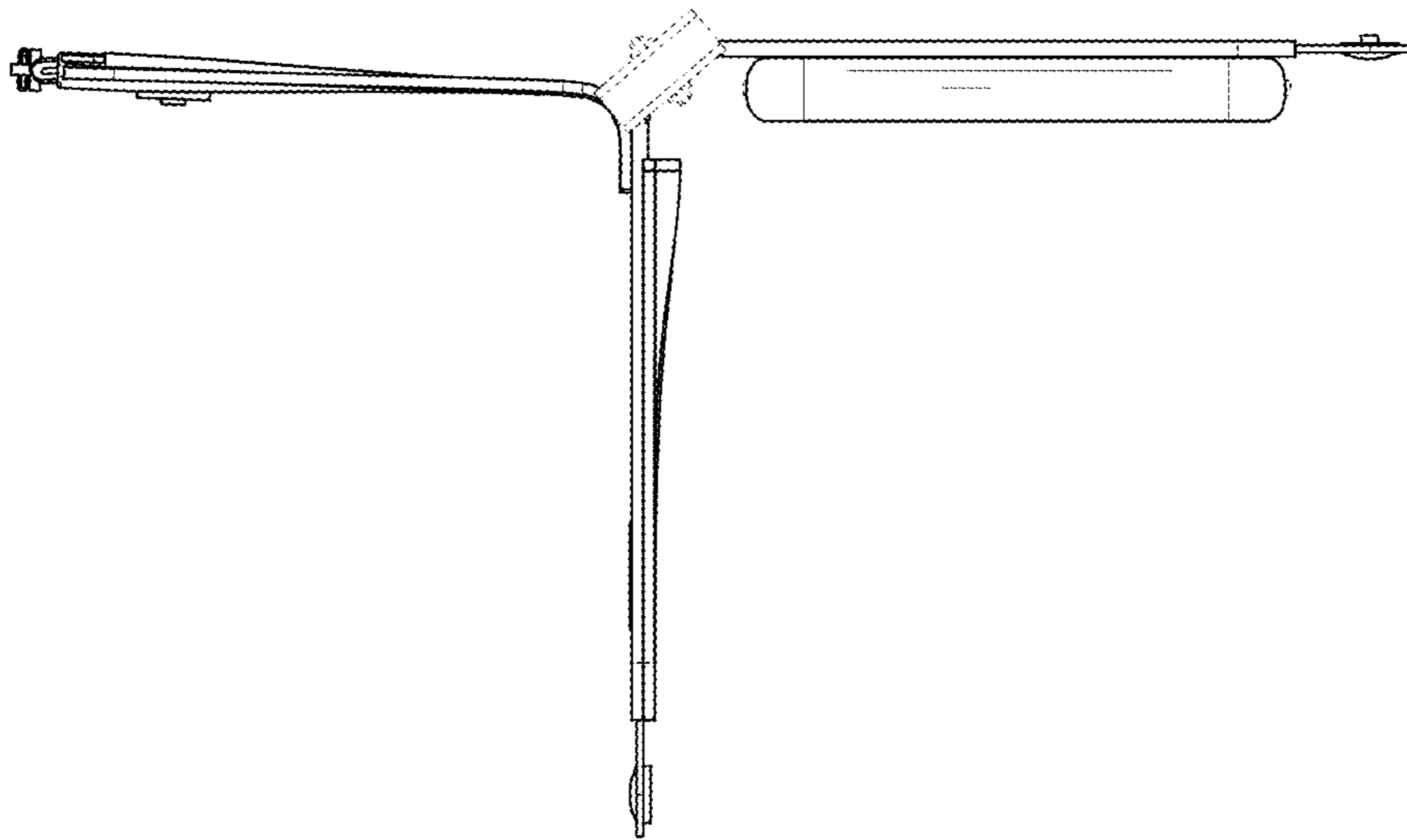


FIG. 7

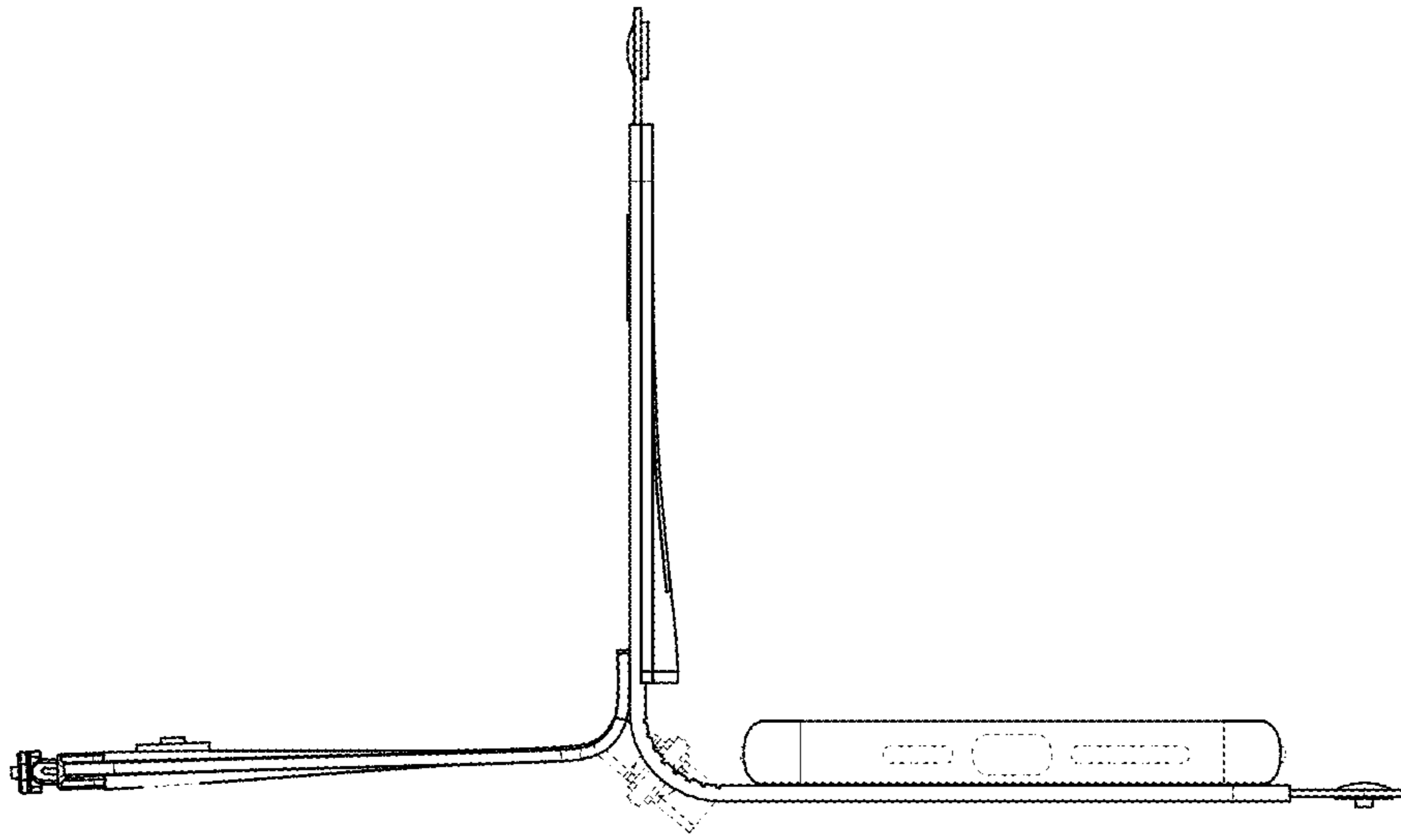


FIG. 8

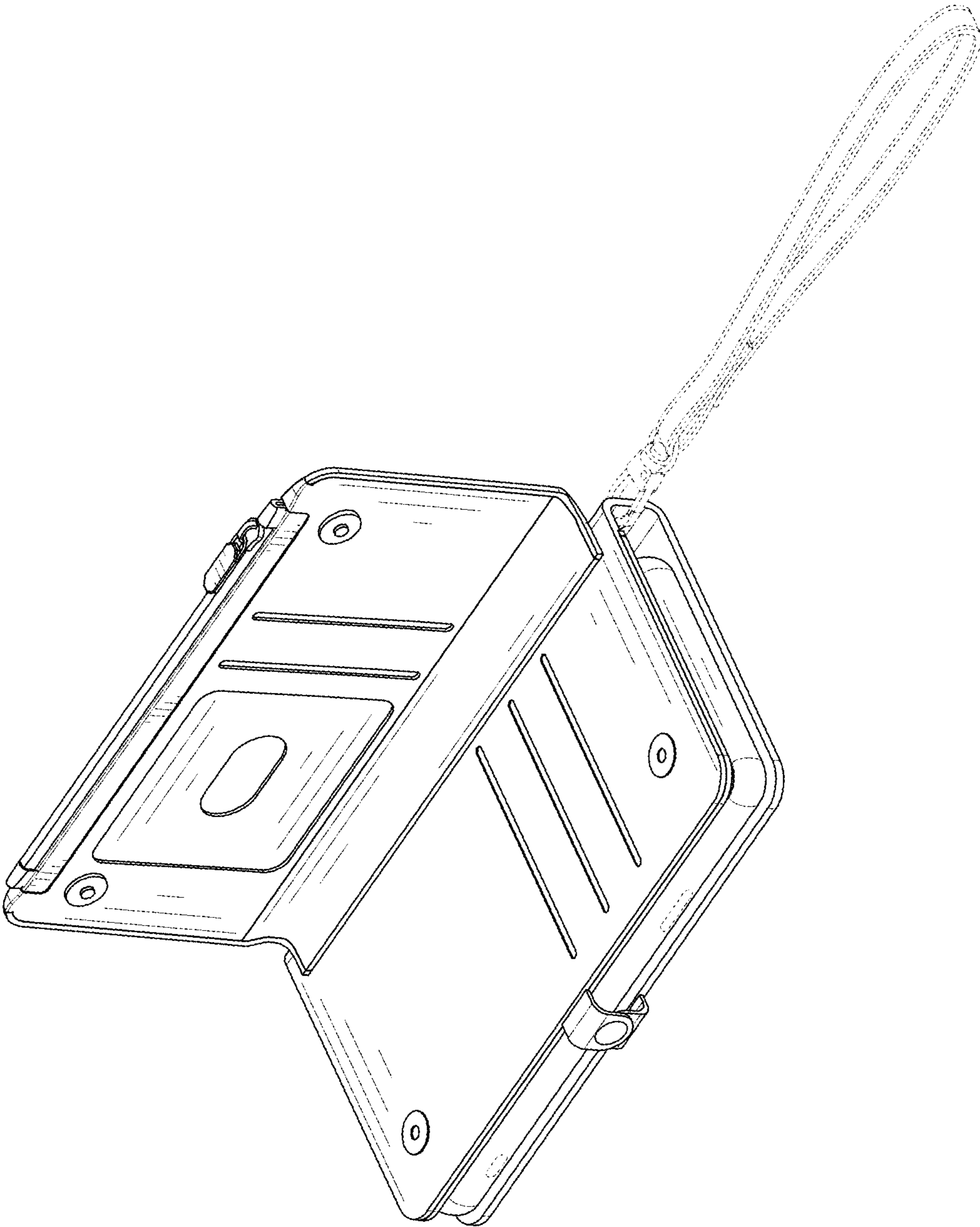


FIG. 9



FIG. 10

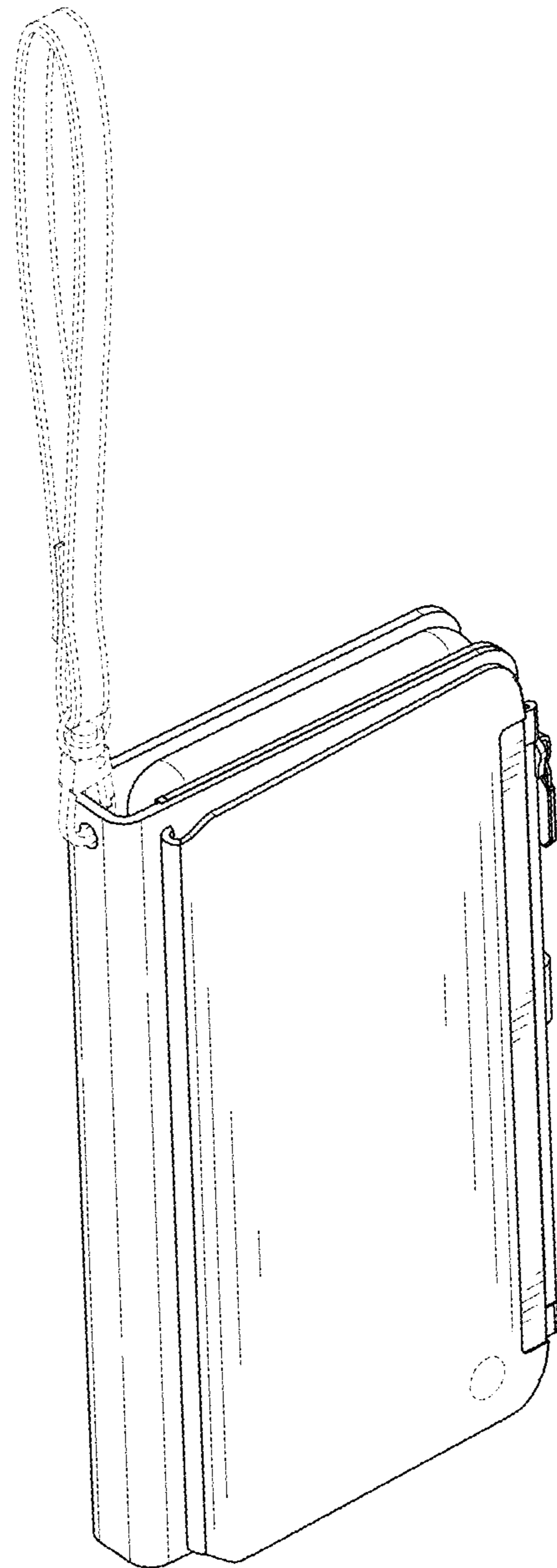


FIG. 11

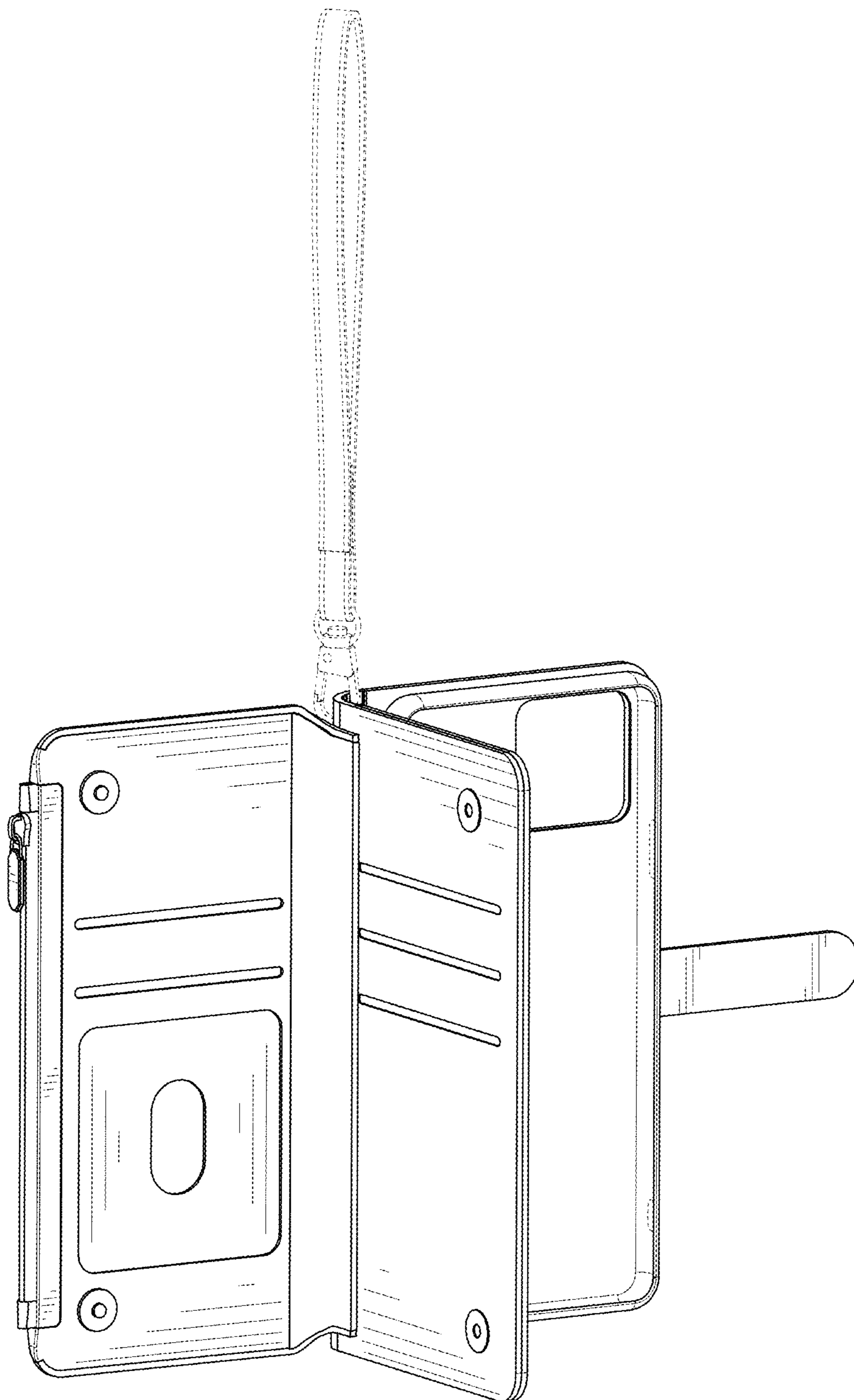


FIG. 12

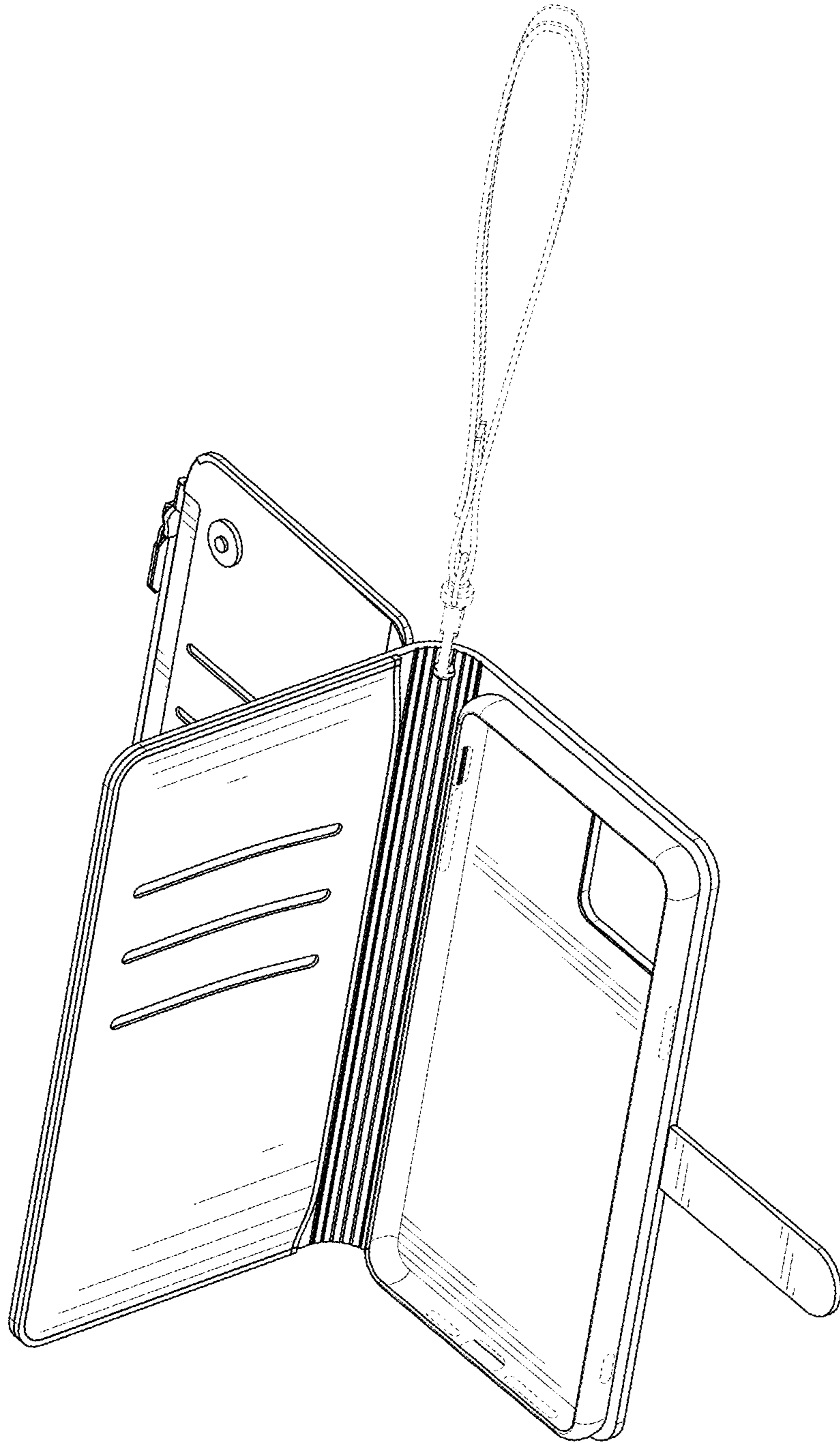


FIG. 13

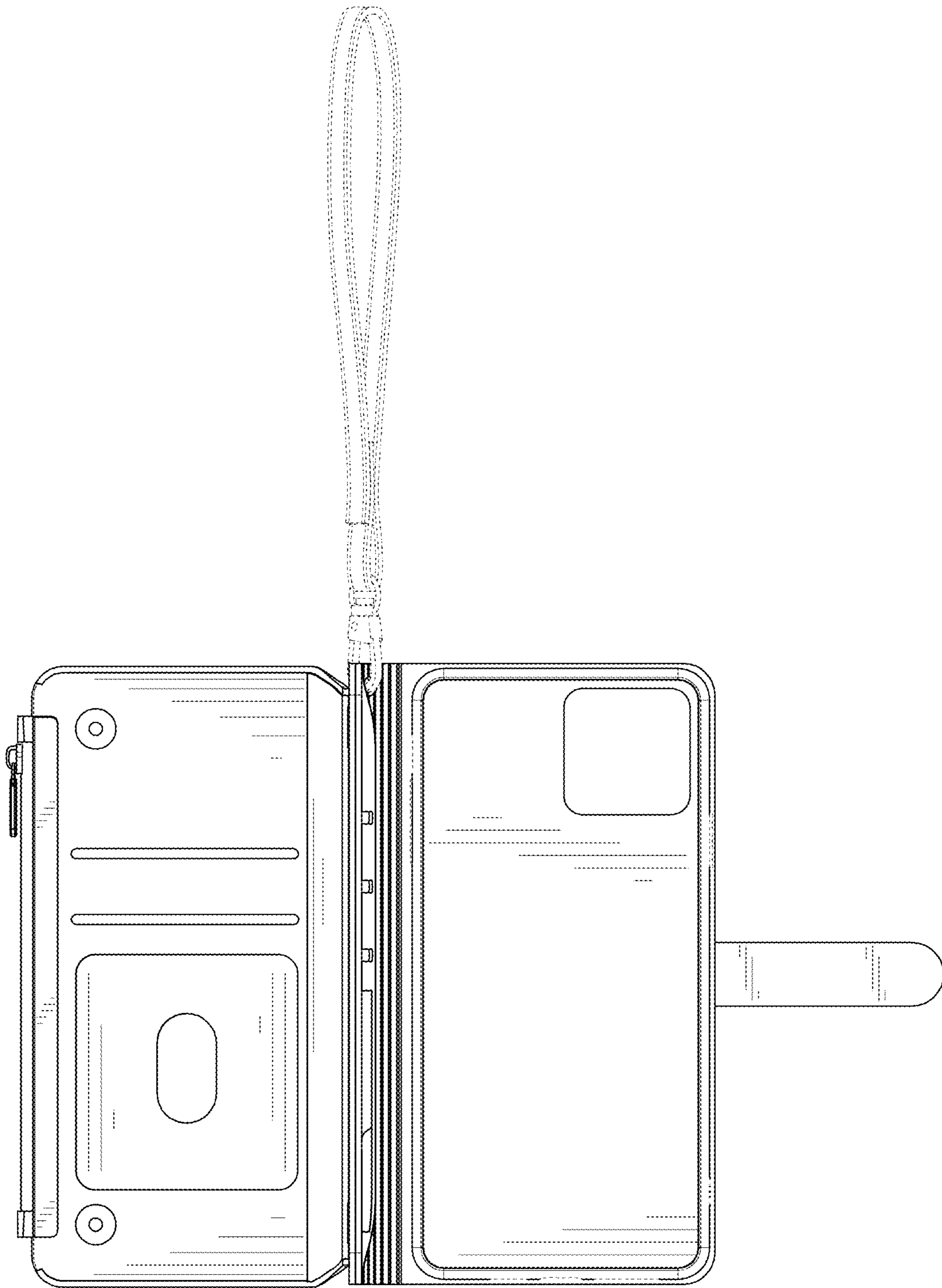


FIG. 14

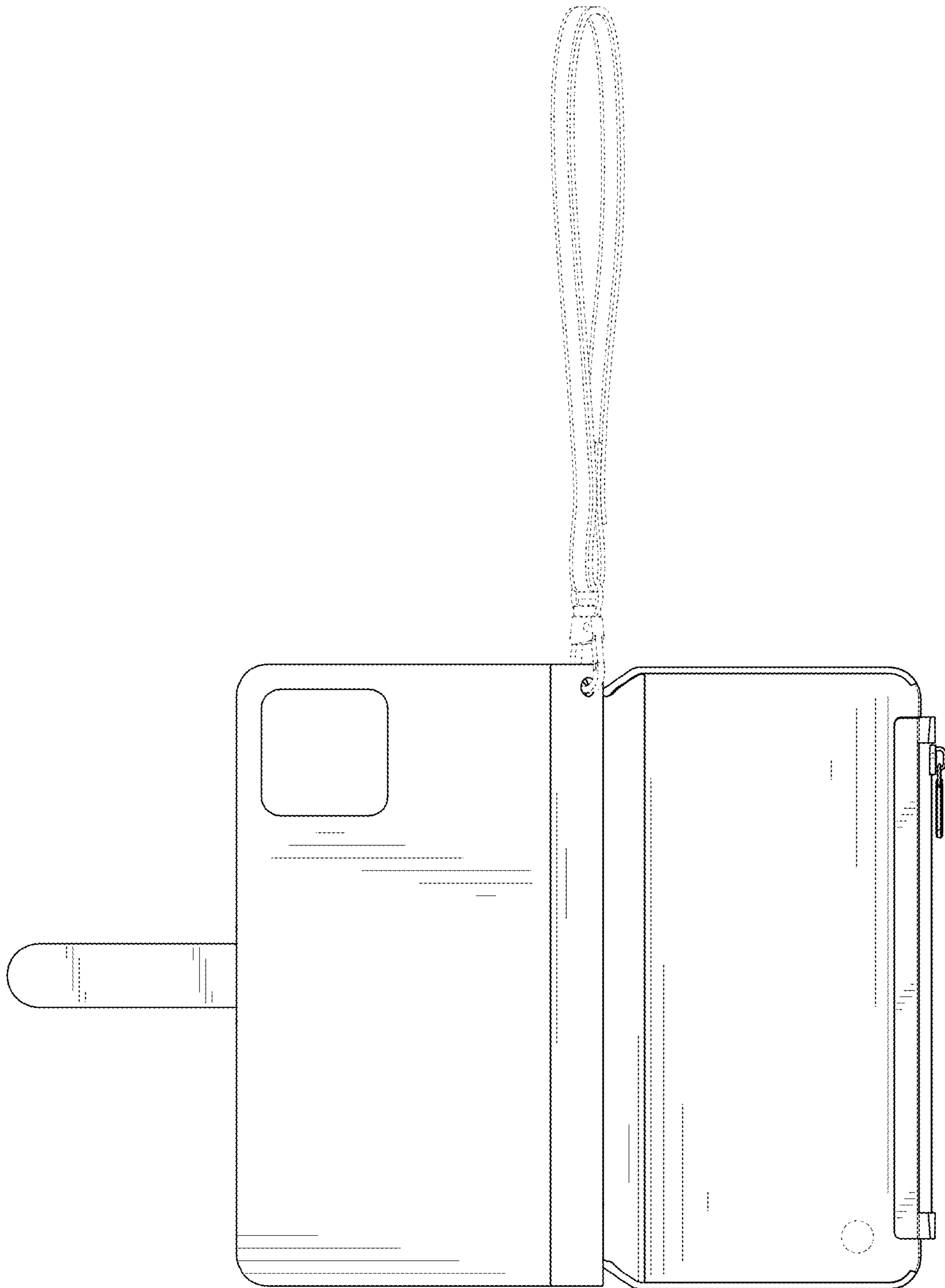


FIG. 15

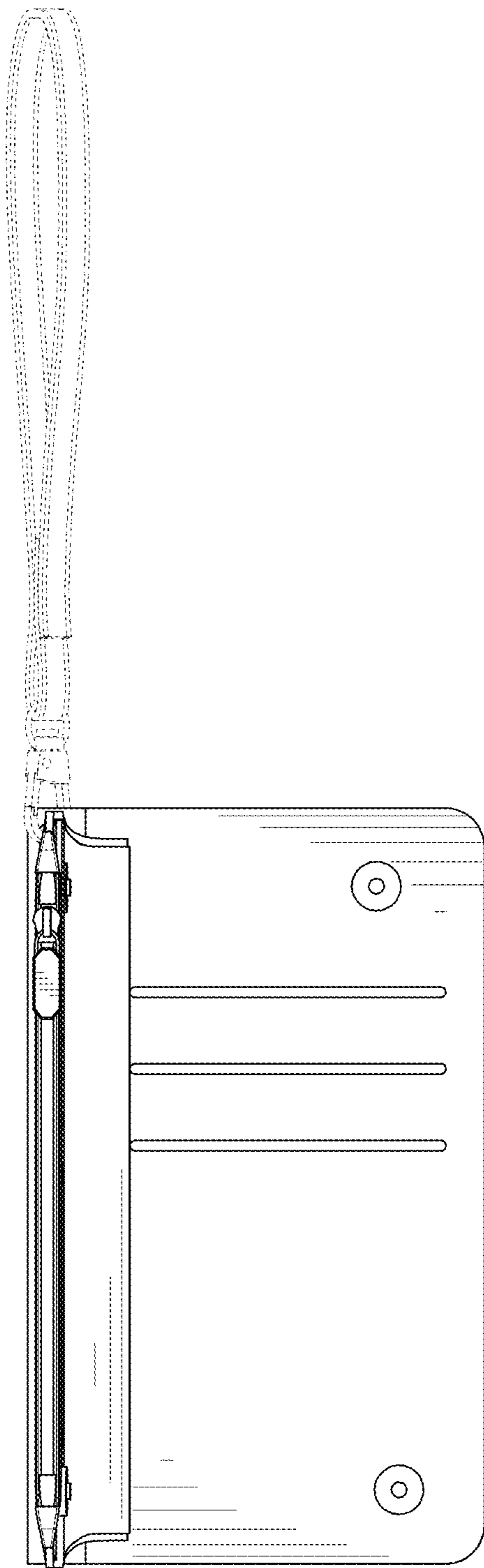


FIG. 16

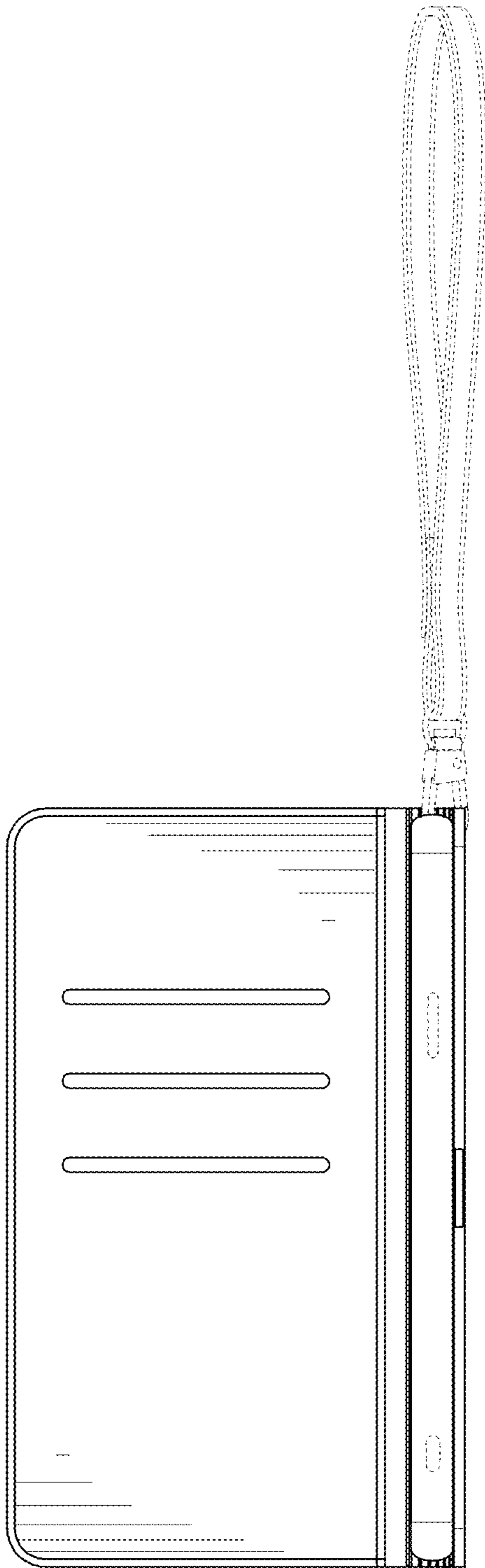


FIG. 17

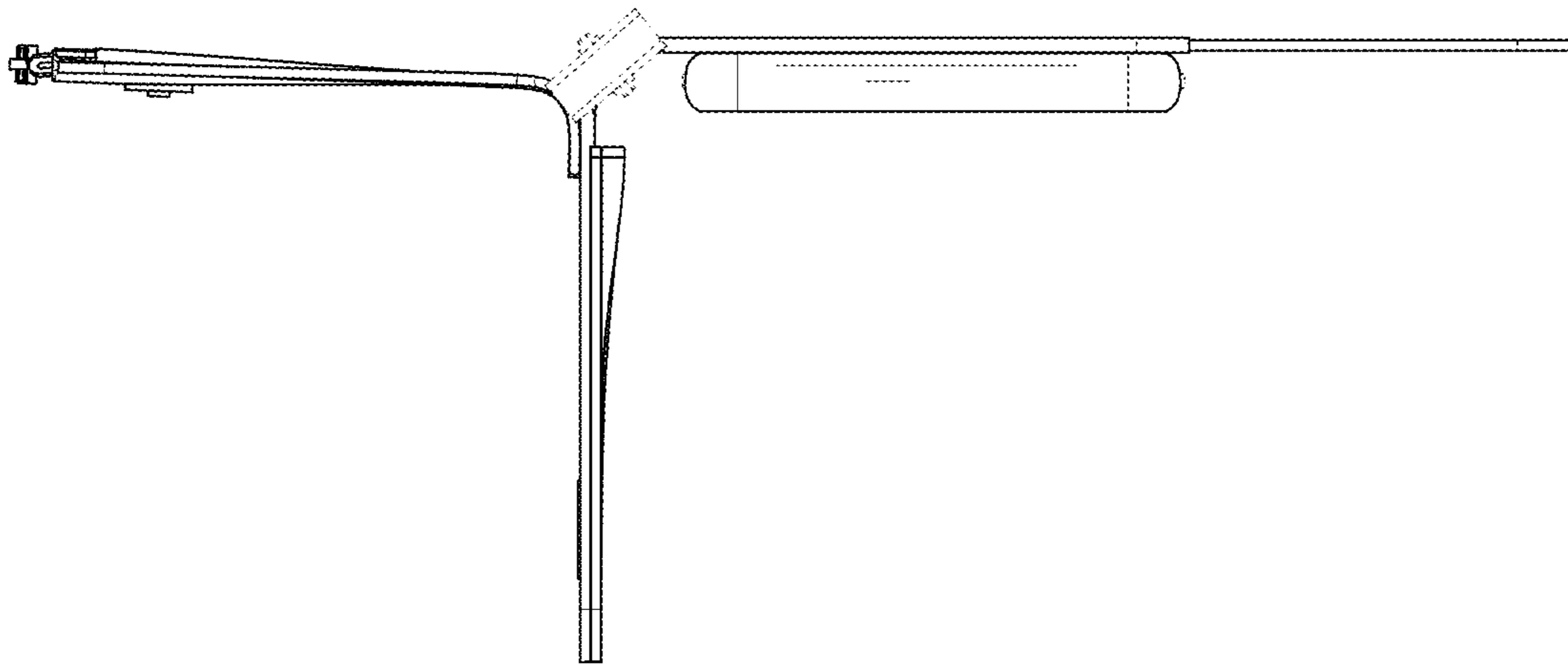


FIG. 18

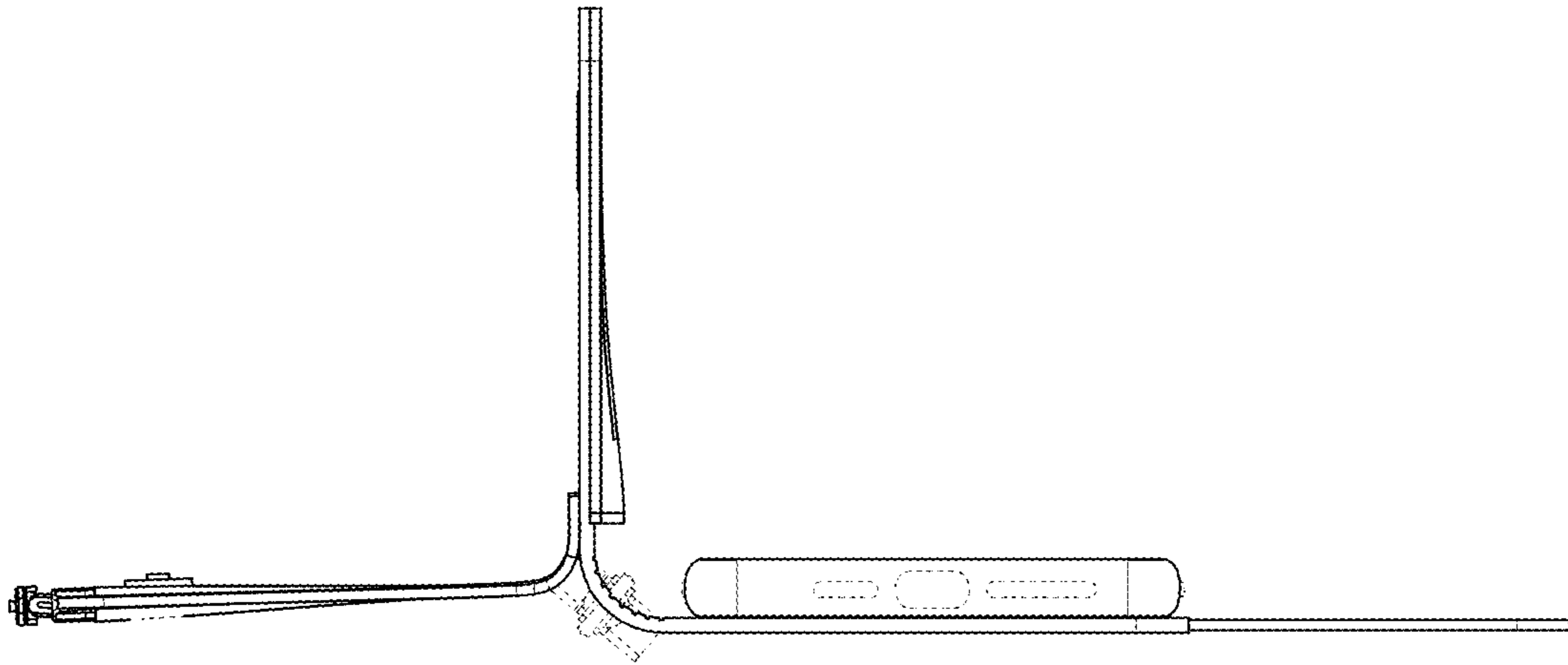


FIG. 19

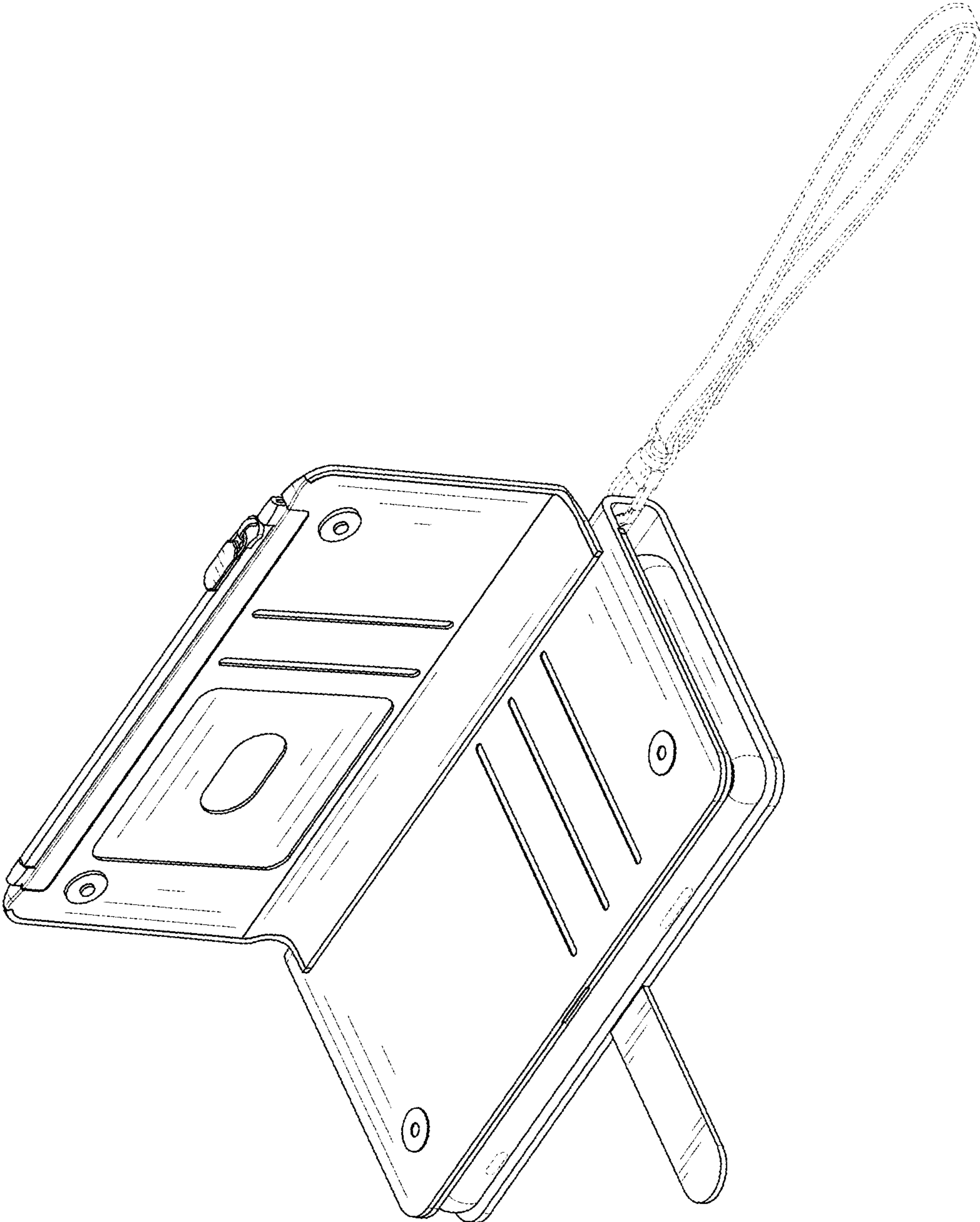


FIG. 20

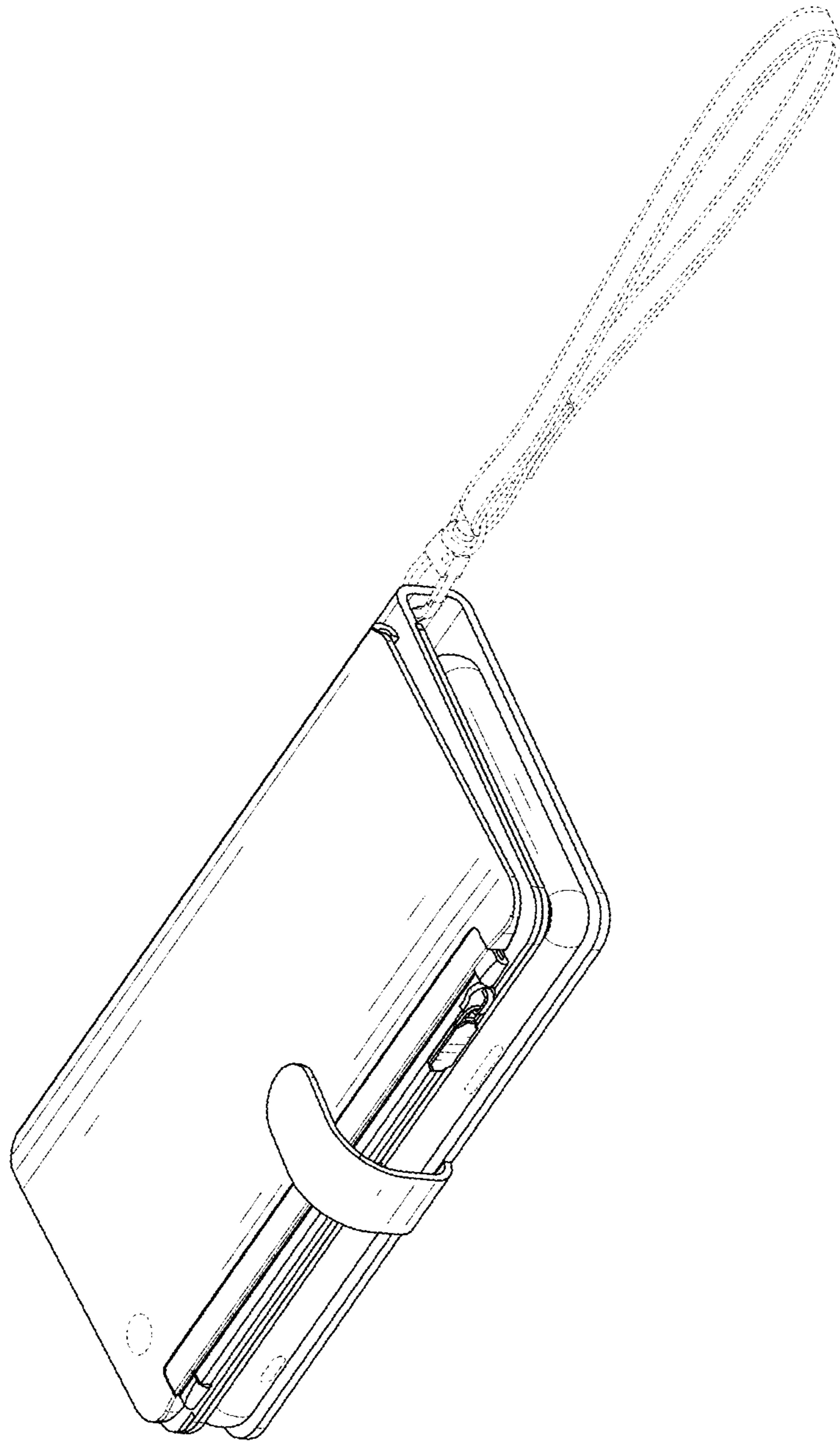


FIG. 21

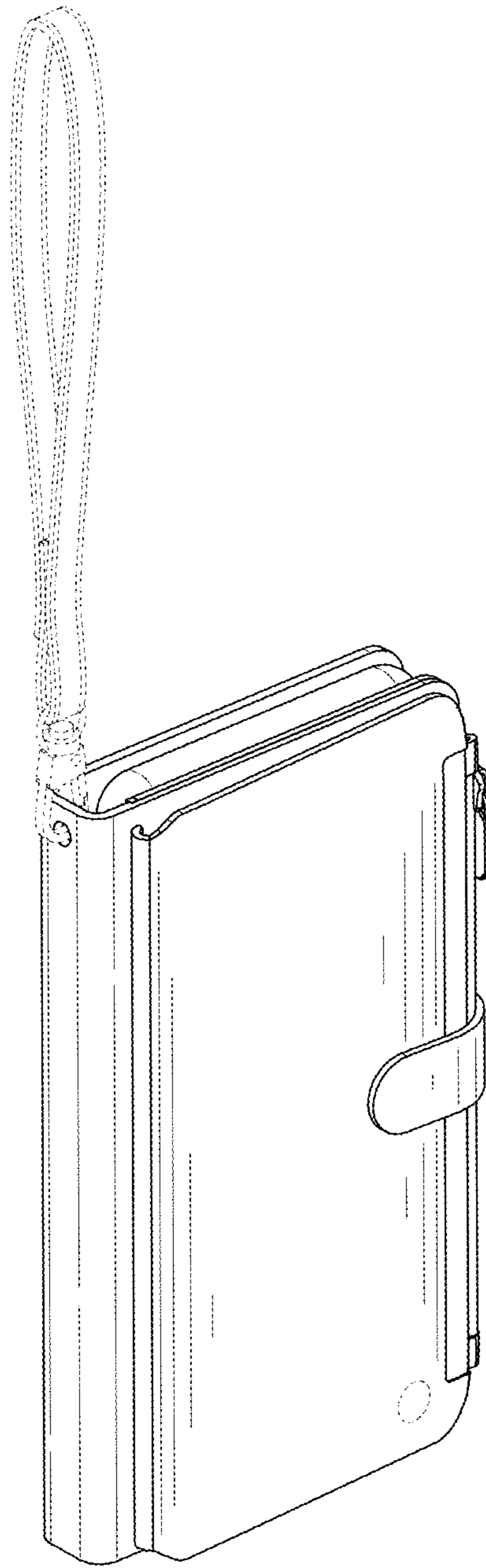


FIG. 22

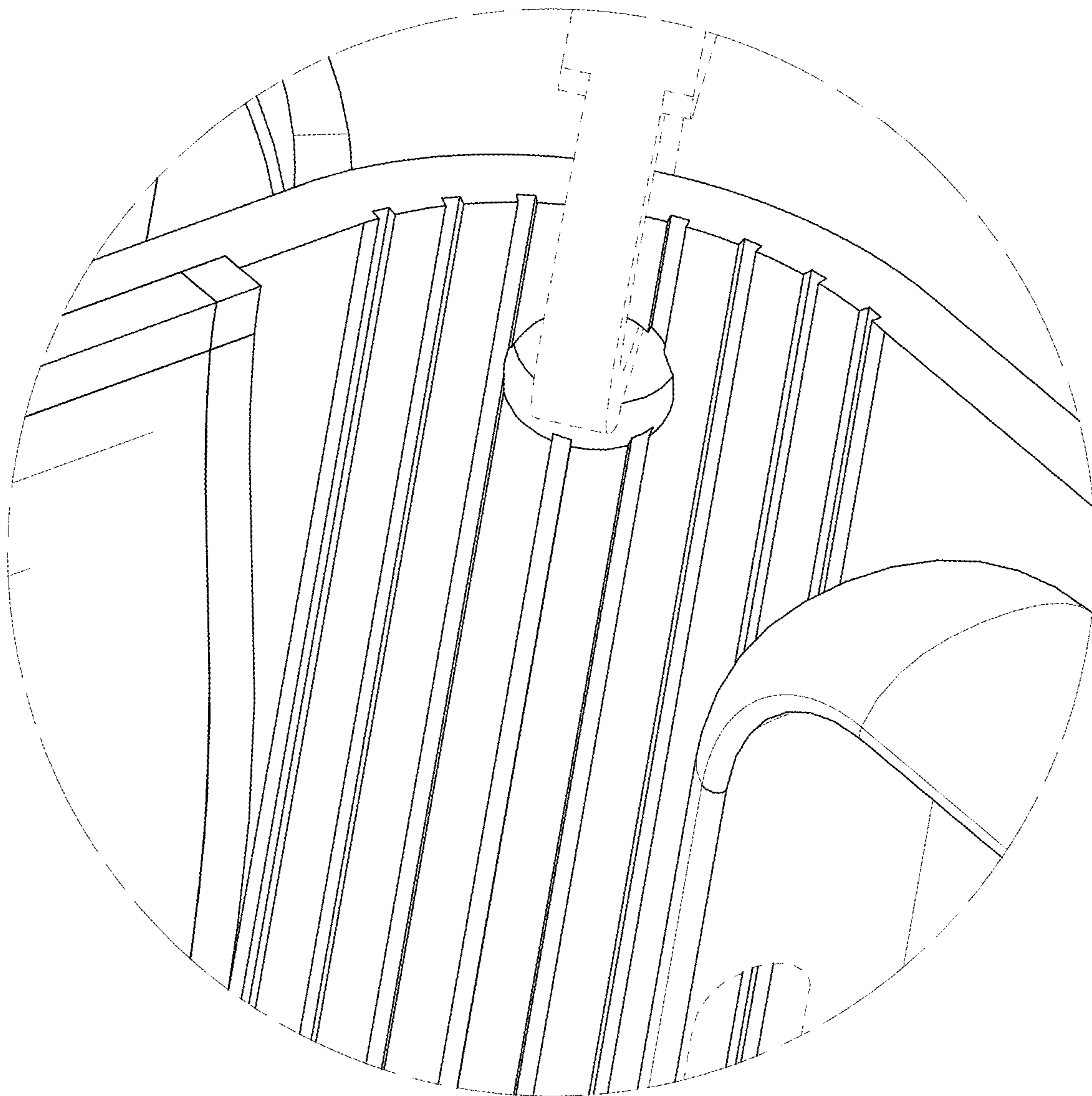


FIG. 23