



US00D965573S

(12) **United States Design Patent**
Wang

(10) **Patent No.:** **US D965,573 S**

(45) **Date of Patent:** **** Oct. 4, 2022**

(54) **WIRELESS ROUTER**

(71) Applicant: **Jaton Technology Limited**, Shenzhen (CN)

(72) Inventor: **Xi Wang**, Shenzhen (CN)

(**) Term: **15 Years**

(21) Appl. No.: **29/763,008**

(22) Filed: **Dec. 21, 2020**

(51) **LOC (13) Cl.** **14-03**

(52) **U.S. Cl.**
USPC **D14/240**

(58) **Field of Classification Search**
USPC D14/240, 242, 357, 358, 140-140.9, 155,
D14/125, 137, 139, 243, 348, 349, 351,
D14/354, 355
CPC H04L 12/00; H03K 17/00; H04W 88/00;
H04W 88/005; H04W 88/02; H04W
88/08; H04W 88/085; H04W 88/10;
H04W 88/12; H04W 88/14; H04B 1/38
See application file for complete search history.

(56) **References Cited**

U.S. PATENT DOCUMENTS

D324,514 S * 3/1992 Ishida D14/358
D620,485 S * 7/2010 Corrigan D14/240

D800,081 S * 10/2017 Koo D14/125
D808,938 S * 1/2018 Gomez D14/230
D831,597 S * 10/2018 Lee D14/125
D846,537 S * 4/2019 Wild D14/240
D877,126 S * 3/2020 DeCastro D14/230
D908,656 S * 1/2021 Zimmerman, III D14/140.6

* cited by examiner

Primary Examiner — Bridget L Eland

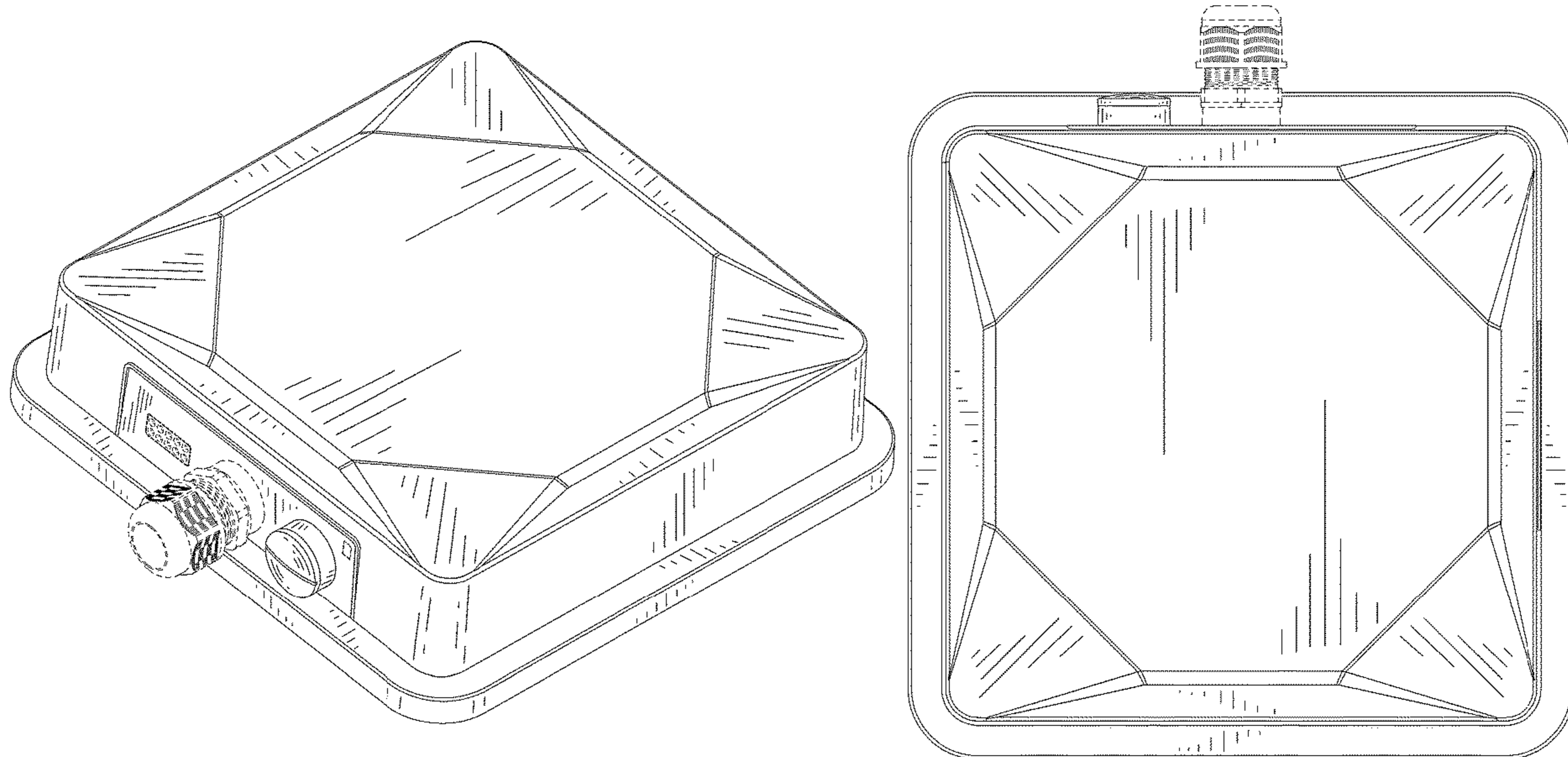
(57) **CLAIM**

The ornamental design for a wireless router, as shown and described.

DESCRIPTION

FIG. 1 is a top front perspective view of a wireless router showing the claimed design;
FIG. 2 is a front elevational view thereof;
FIG. 3 is a rear elevational view thereof;
FIG. 4 is a left side elevational view thereof;
FIG. 5 is a right side elevational view thereof;
FIG. 6 is a top plan view thereof; and,
FIG. 7 is a bottom plan view thereof.
The broken lines in the drawings show portions of the wireless router that form no part of the claimed design.

1 Claim, 7 Drawing Sheets



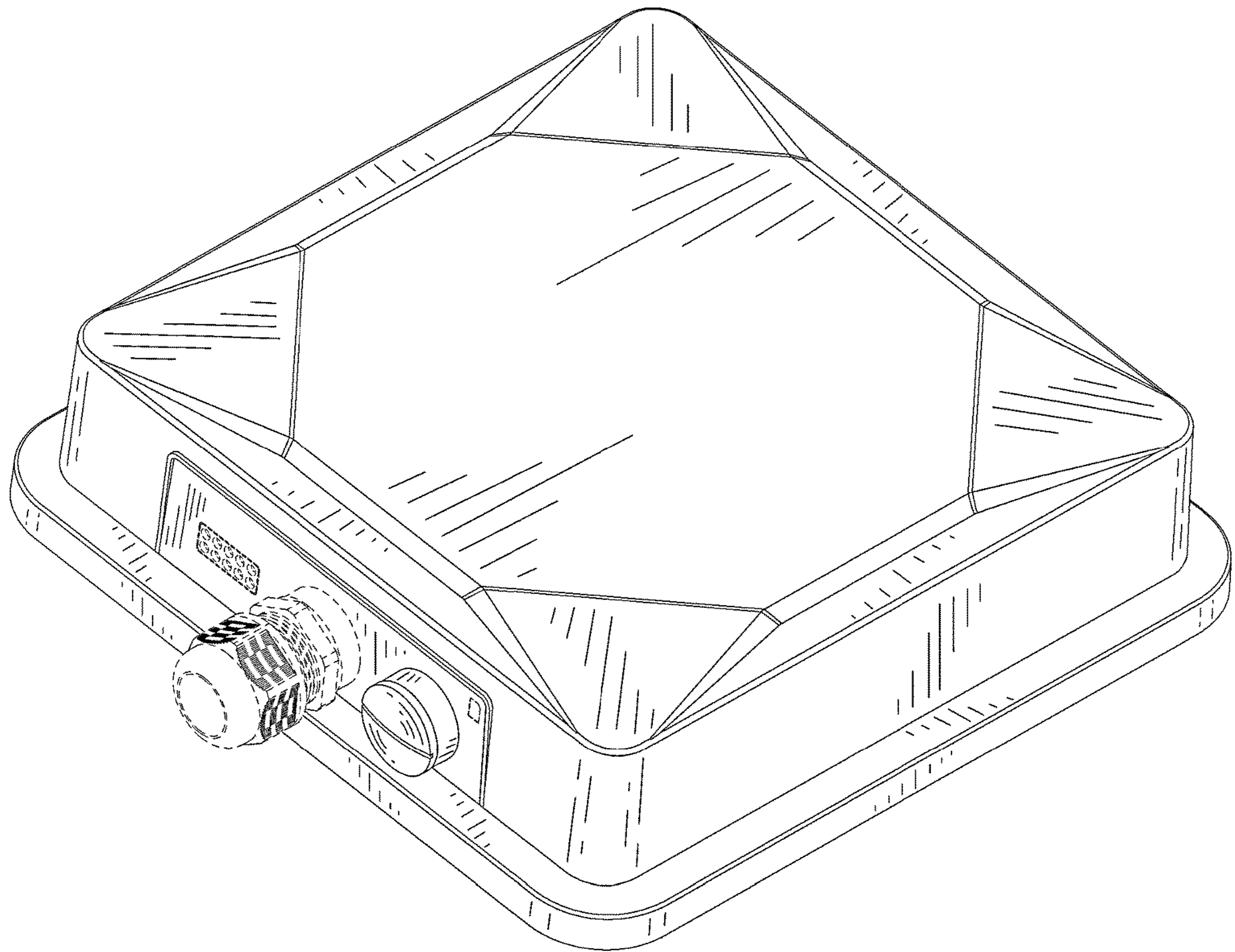


Fig. 1

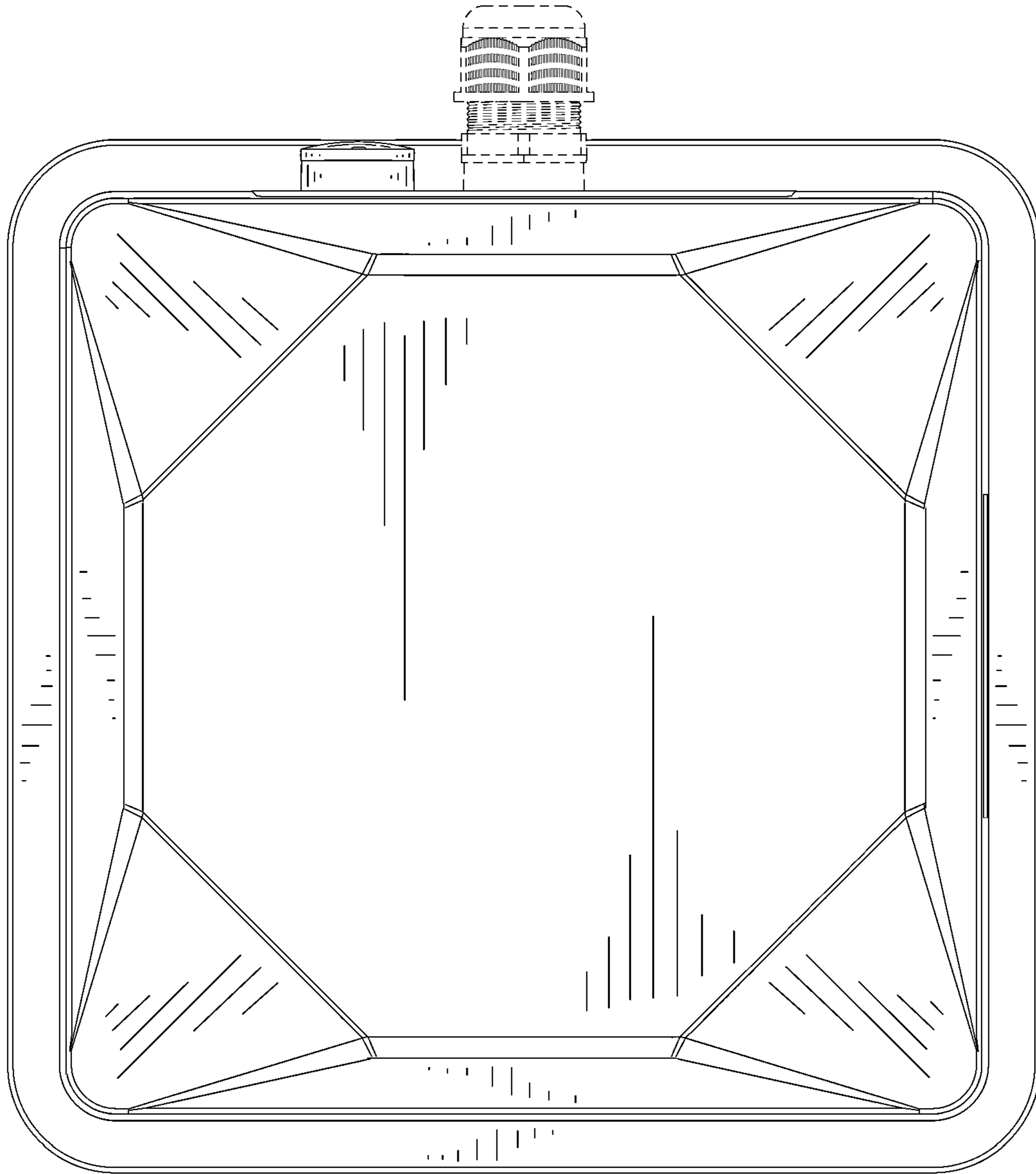


Fig. 2

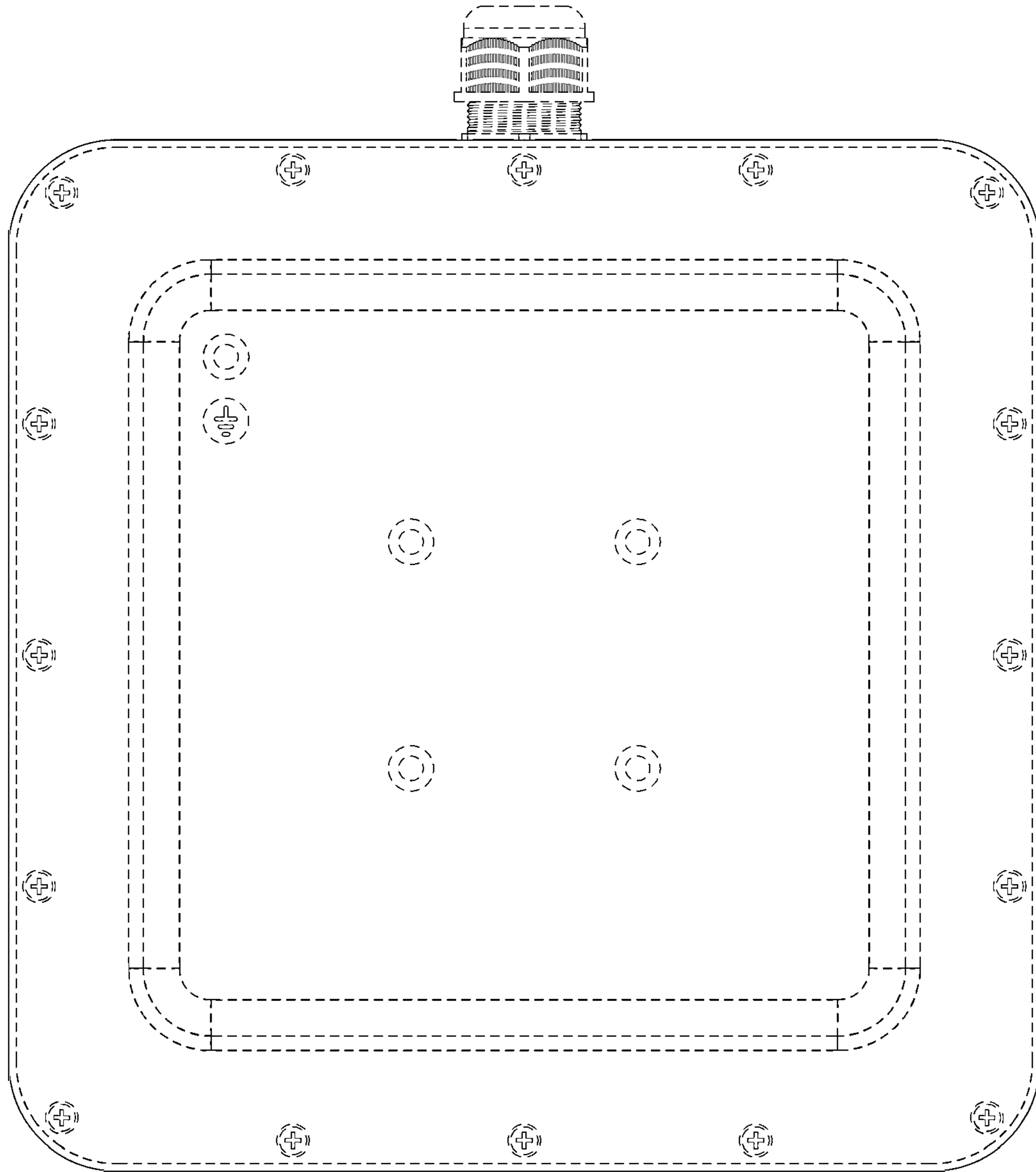


Fig. 3

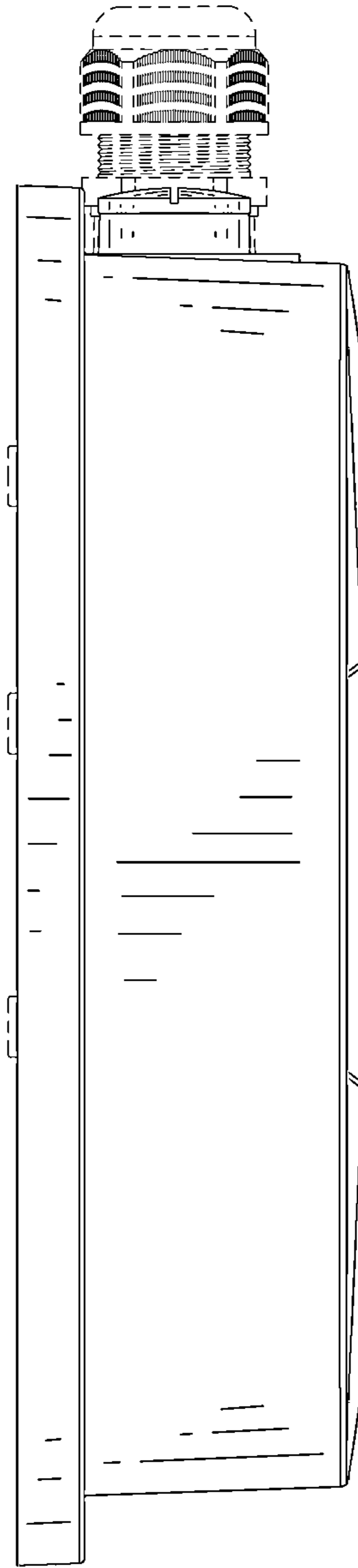


Fig. 4

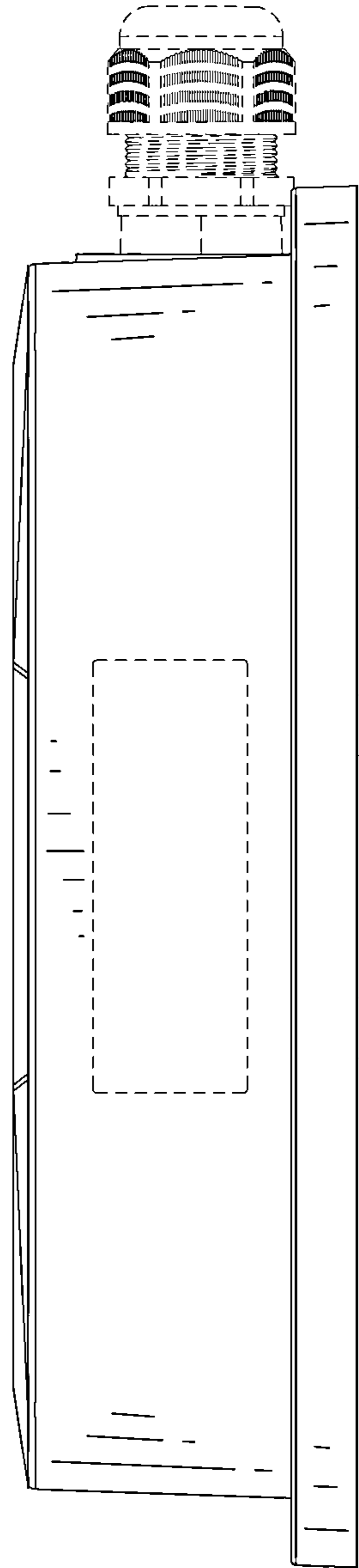


Fig. 5

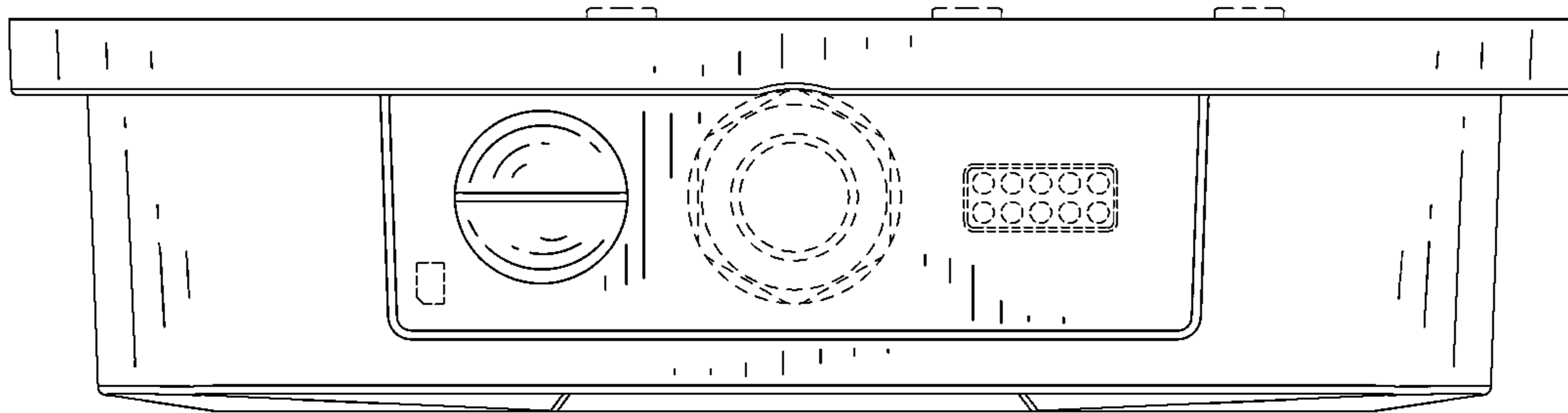


Fig. 6

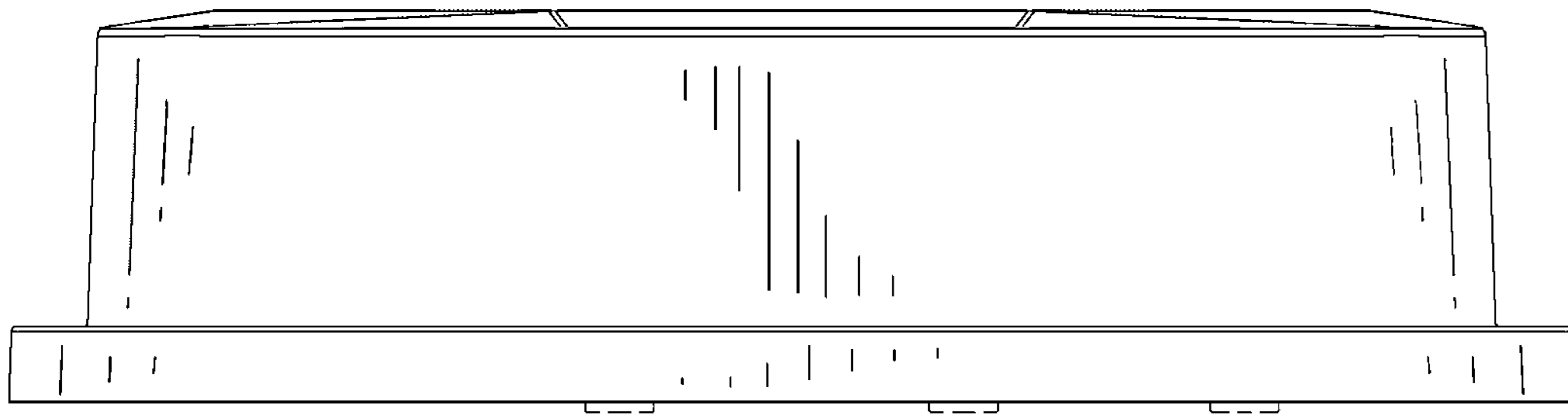


Fig. 7