



US00D965570S

(12) **United States Design Patent**
Tengstrom

(10) **Patent No.:** **US D965,570 S**

(45) **Date of Patent:** **** Oct. 4, 2022**

(54) **RFID/NFC TAG MOUNT**

(71) Applicant: **John Paavo Tengstrom**, Hopewell Junction, NY (US)

(72) Inventor: **John Paavo Tengstrom**, Hopewell Junction, NY (US)

(**) Term: **15 Years**

(21) Appl. No.: **29/706,562**

(22) Filed: **Sep. 20, 2019**

(51) **LOC (13) Cl.** **14-03**

(52) **U.S. Cl.**
USPC **D14/230**; D10/106.7; D11/95

(58) **Field of Classification Search**
USPC D14/218, 230, 213; D10/70, 107.1,
D10/106.9; D20/22; D12/317
(Continued)

(56) **References Cited**

U.S. PATENT DOCUMENTS

1,586,433 A * 5/1926 Wittstein G09F 3/02
428/536
1,749,399 A * 3/1930 Thayer G09F 3/00
40/634

(Continued)

FOREIGN PATENT DOCUMENTS

CN 302898053 * 8/2014
CN 306503216 * 4/2021

(Continued)

OTHER PUBLICATIONS

Red Dingo, "Circle Stainless Steel . . . Tag", available at chewy.com, oldest review date Mar. 5, 2021, site visited Jun. 17, 2022, available at URL: <https://bit.ly/3OclM0q> (Year: 2021).*

(Continued)

Primary Examiner — Daniel J Domino

Assistant Examiner — Samina Vieth

(57) **CLAIM**

I claim the ornamental design for an RFID/NFC tag mount, as shown and described.

DESCRIPTION

FIG. 1 is a perspective view of an RFID/NFC tag mount of the design;

FIG. 2 is a left side view thereof;

FIG. 3 is a front view thereof;

FIG. 4 is a right side view thereof;

FIG. 5 is a bottom view thereof;

FIG. 6 is a top view thereof;

FIG. 7 is a rear view thereof;

FIG. 8 is a perspective view of an RFID/NFC tag mount according to a second embodiment of the design;

FIG. 9 is a left side view according to a second embodiment thereof;

FIG. 10 is a front view according to a second embodiment thereof;

FIG. 11 is a right side view according to a second embodiment thereof;

FIG. 12 is a bottom view according to a second embodiment thereof;

FIG. 13 is a top view according to a second embodiment thereof;

FIG. 14 is a rear view according to a second embodiment thereof;

FIG. 15 is a perspective view of an RFID/NFC tag mount according to a third embodiment of the design;

FIG. 16 is a left side view according to a third embodiment thereof;

FIG. 17 is a front view according to a third embodiment thereof;

FIG. 18 is a right side view according to a third embodiment thereof;

FIG. 19 is a bottom view according to a third embodiment thereof;

FIG. 20 is a top view according to a third embodiment thereof;

FIG. 21 is a rear view according to a third embodiment thereof;

(Continued)

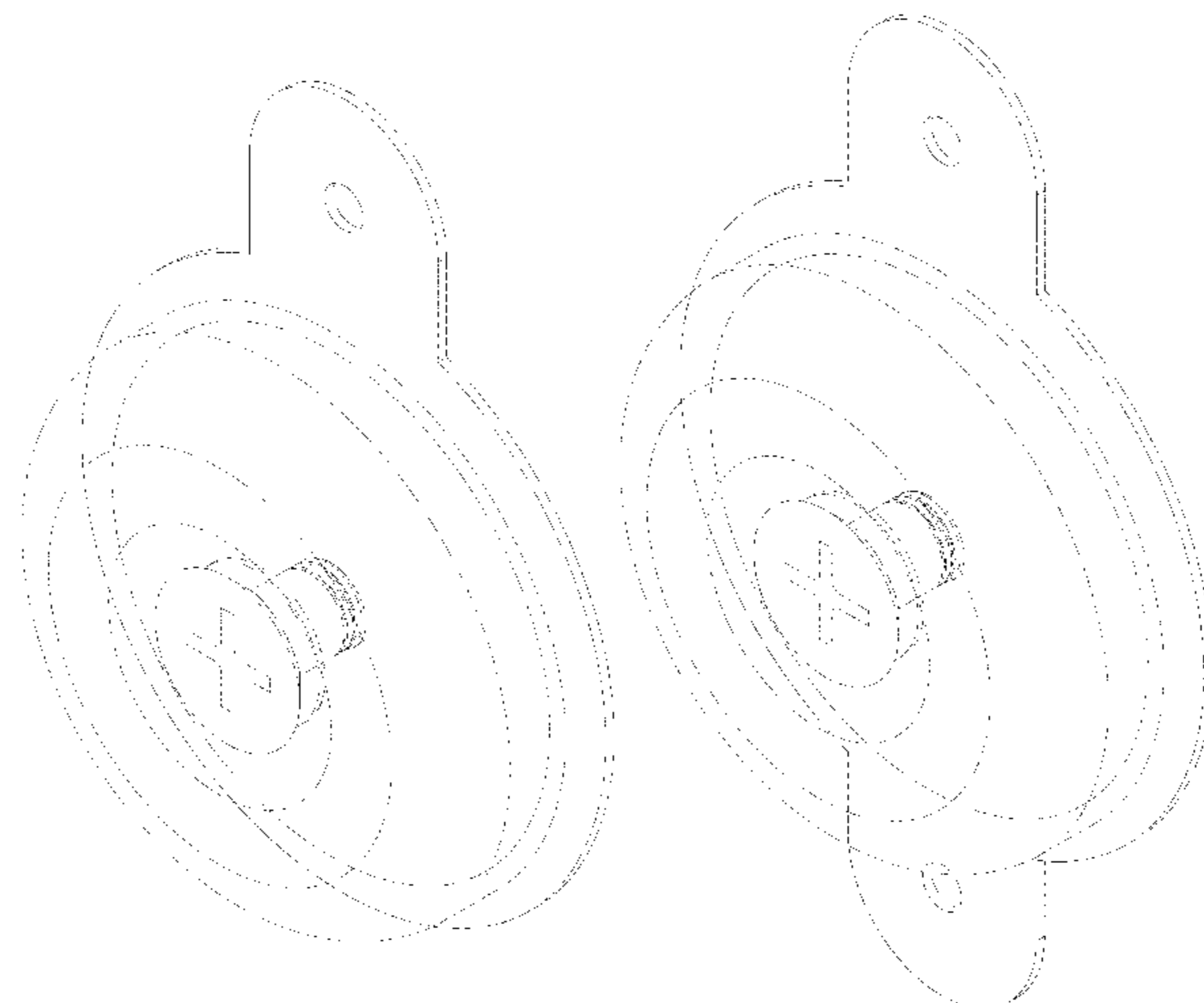


FIG. 22 is a perspective view of an RFID/NFC tag mount according to a fourth embodiment of the design;
 FIG. 23 is a left side view according to a fourth embodiment thereof;
 FIG. 24 is a front view according to a fourth embodiment thereof;
 FIG. 25 is a right side view according to a fourth embodiment thereof;
 FIG. 26 is a bottom view according to a fourth embodiment thereof;
 FIG. 27 is a top view according to a fourth embodiment thereof; and,
 FIG. 28 is a rear view according to a fourth embodiment thereof.

1 Claim, 28 Drawing Sheets

(58) **Field of Classification Search**

CPC H01Q 7/10; H01Q 12/10; H01Q 9/285;
 H01Q 19/30; H01Q 19/12; H01Q 1/38;
 H01Q 1/12; H01Q 1/22; H01Q 7/00
 See application file for complete search history.

(56) **References Cited**

U.S. PATENT DOCUMENTS

1,758,599	A *	5/1930	Garvey	G09F 3/12 40/662
D147,482	S *	9/1947	Winterfeld	D6/668.1
2,586,978	A *	2/1952	Murray	B29C 70/70 63/26
D272,371	S *	1/1984	Fontaine	D20/28
D299,038	S *	12/1988	van Amelsfort	D20/27
D358,251	S *	5/1995	Bettis	D3/208
D374,015	S *	9/1996	Wainer	D15/5
D390,584	S *	2/1998	Layton	D16/130
D512,744	S *	12/2005	Koroluk	D20/28
D575,187	S *	8/2008	Mitchell	D11/95
D585,497	S *	1/2009	Williams, Jr.	D20/22
D603,456	S *	11/2009	Brodsky	D20/28
D608,833	S *	1/2010	Brodsky	D20/28
D615,401	S *	5/2010	Ouimette	D9/415
D640,538	S *	6/2011	Van Solkema	D8/400
D675,949	S *	2/2013	Chang	D10/106.9
D685,891	S *	7/2013	Williams	D23/269
D709,397	S *	7/2014	Ennabli	D10/106.9
D731,356	S *	6/2015	Luke	D11/207
D780,436	S *	3/2017	Fraser	D3/207
D825,374	S *	8/2018	Alaniz	D11/95
D867,909	S *	11/2019	Kachar	D10/70
D938,838	S *	12/2021	Dick	D10/70
D945,999	S *	3/2022	Wallace	D14/432

2005/0036232	A1 *	2/2005	Macpherson	G11B 33/146 360/97.18
2007/0224386	A1 *	9/2007	Fuller	A01K 11/00 428/99
2009/0104862	A1 *	4/2009	MacKay	B24D 5/16 451/548
2020/0042854	A1 *	2/2020	Salinas	G06K 19/07758

FOREIGN PATENT DOCUMENTS

CN	306561684	*	5/2021
GB	6054887	*	8/2019
KR	301042093.0000	*	1/2020

OTHER PUBLICATIONS

Petco, "Quick-Tag Chrome Circle . . . ID Tag . . ." available at petco.com, oldest review date 2018, site visited Jun. 17, 2022, available at URL: <https://bit.ly/3HKd0UM> (Year: 2018).*

DogIDs, "Round Dog ID Tags" available at dogids.com, oldest review date Apr. 2015, site visited Jun. 17, 2022, available at URL: <https://www.dogids.com/round-dog-id-tags/> (Year: 2015).*

Gorjo Designs, "Simple Black Minimalist Custom Name Dog Pet ID Tag" available at zazzle.com, oldest saved date Dec. 4, 2020, site visited Jun. 17, 2022, available at URL: https://www.zazzle.com/simple_black_minimalist_custom_name_dog_pet_id_tag-256172220284871119 (Year: 2020).*

Typecase Store, "Airtag Dog Collar Holder . . .", available at amazon.com, date first available Jun. 23, 2021, site visited Jun. 17, 2022, Available at URL: https://www.amazon.com/dp/B097RCBQ41/ref=cm_sw_em_r_mt_dp_6FFJ8XTKZTRC7CXDBHBY (Year: 2021).*

Defender Security, "S 4793 Privacy Cover . . ." available at amazon.com, date first available Sep. 18, 2019, site visited Jun. 17, 2022, Available at URL: https://www.amazon.com/dp/B07Y1V3Q96/ref=cm_sw_em_r_mt_dp_5Z0AJPXFS60S4QQSW0Z3 (Year: 2019).*

SecureAview, "Premium All Metal Door Viewer Cover", available at amazon.com, date first available Oct. 8, 2013, site visited Jun. 17, 2022, Available at URL: https://www.amazon.com/dp/B00FR898CQ/ref=cm_sw_em_r_mt_dp_2EKBPX74NC3T3B99JWW6 (Year: 2013).*

Worldwise, "Paswscout The Smarter PetTag from Worldwise" published on youtube.com, date published Feb. 10, 2018, site visited Jun. 17, 2022, Available at URL: <https://www.youtube.com/watch?v=lgshJjbWls> (Year: 2018).*

Gao RFID, "Gaotek RFID 125 KHZ Low Frequency . . . RFID Tag . . ." available at amazon.com, date first available Mar. 5, 2020, site visited Jun. 17, 2022, available at URL: <https://www.amazon.com/Gaotek-RFID-Frequency-Encapsulated-111003-BULK/dp/B07N1BX3G9> (Year: 2020).*

3M, "Mechanical Mount HF RFID Tag . . ." available at multimedia.3m.com, date published 2017, site visited Jun. 17, 2022, available at URL: <chrome-extension://efaidnbmnnnibpcajpcglclefindmkaj/https://multimedia.3m.com/mws/media/1447515O/ifu-5908267-mech-mount-hf-rfid-tag.pdf> (Year: 2017).*

* cited by examiner

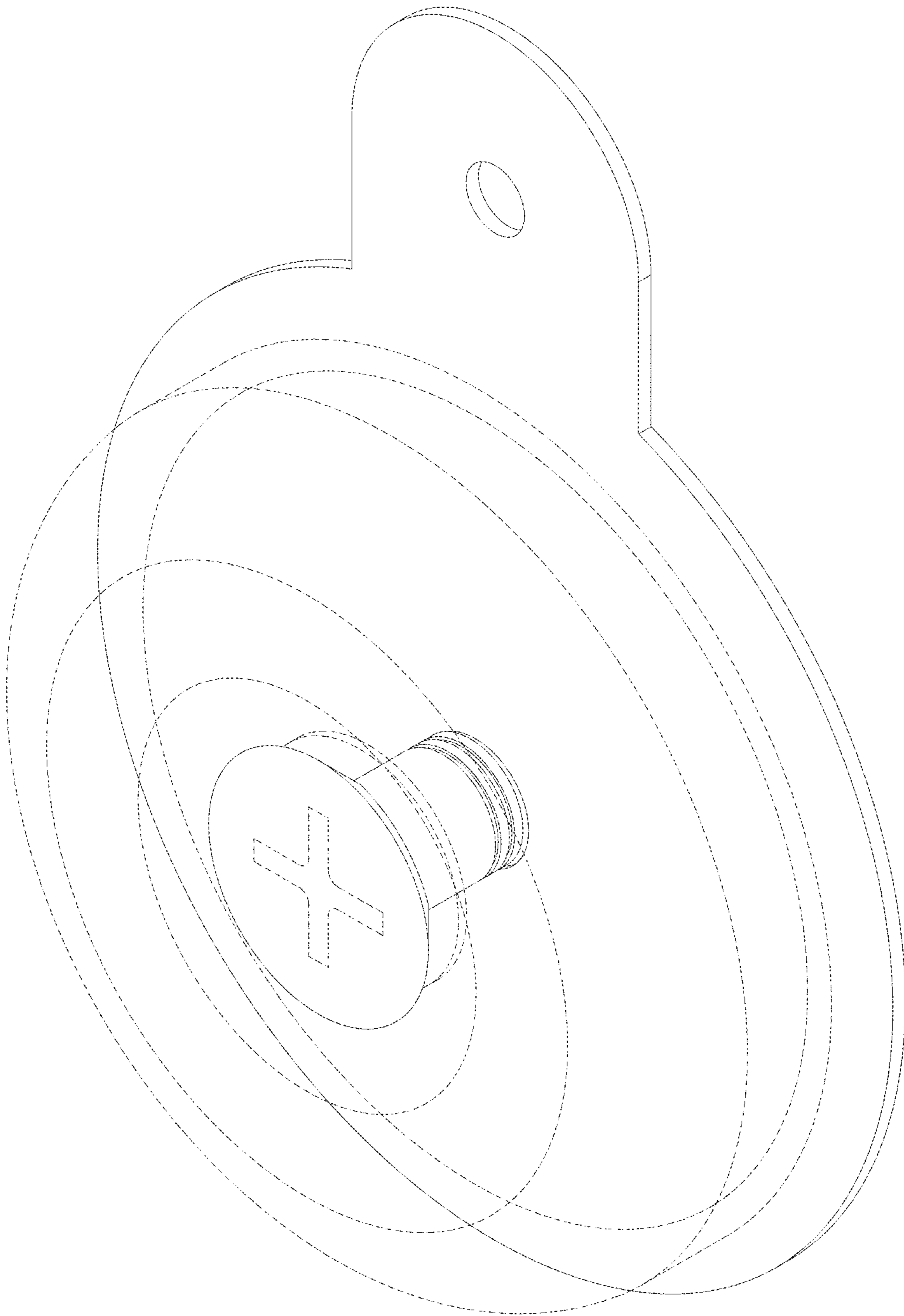


FIG. 1

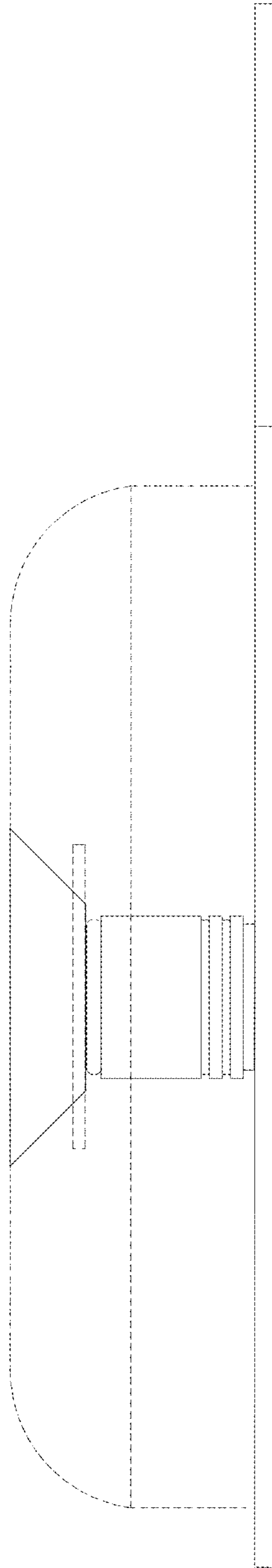


FIG. 2

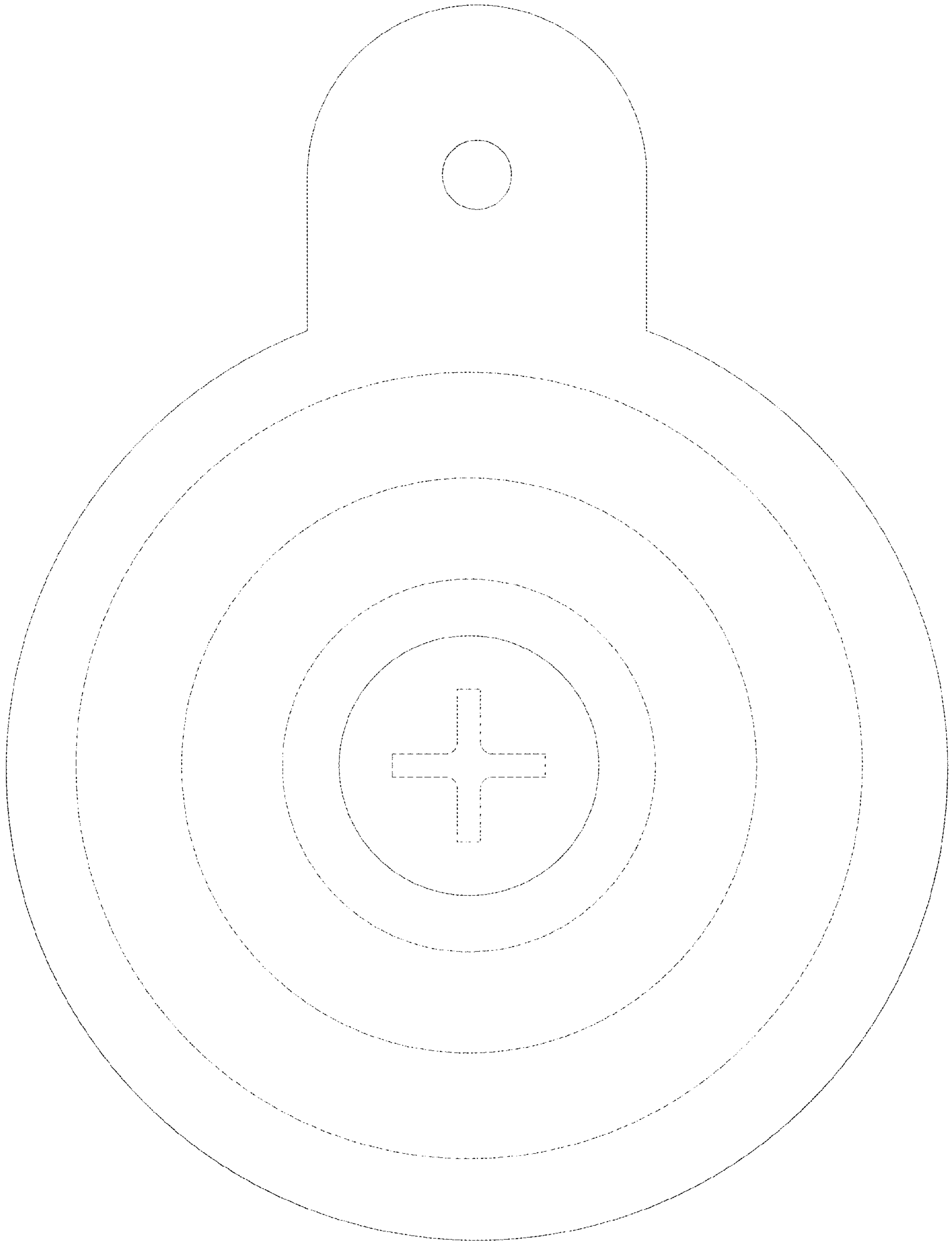


FIG. 3

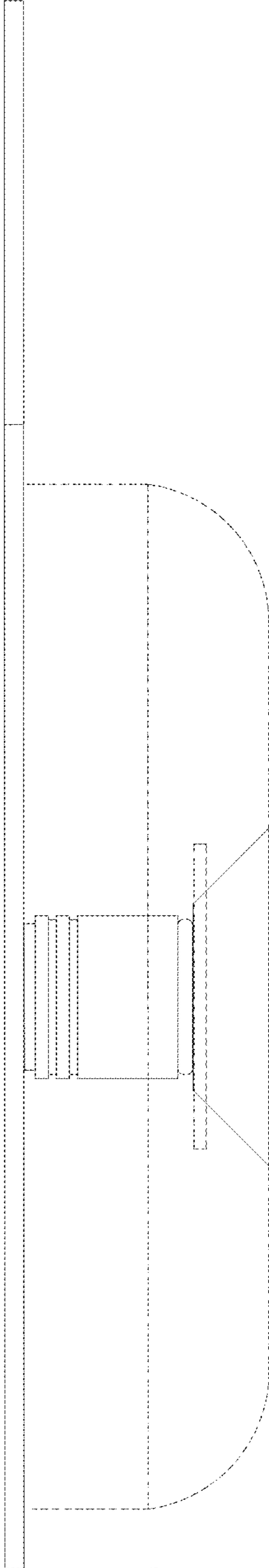


FIG. 4

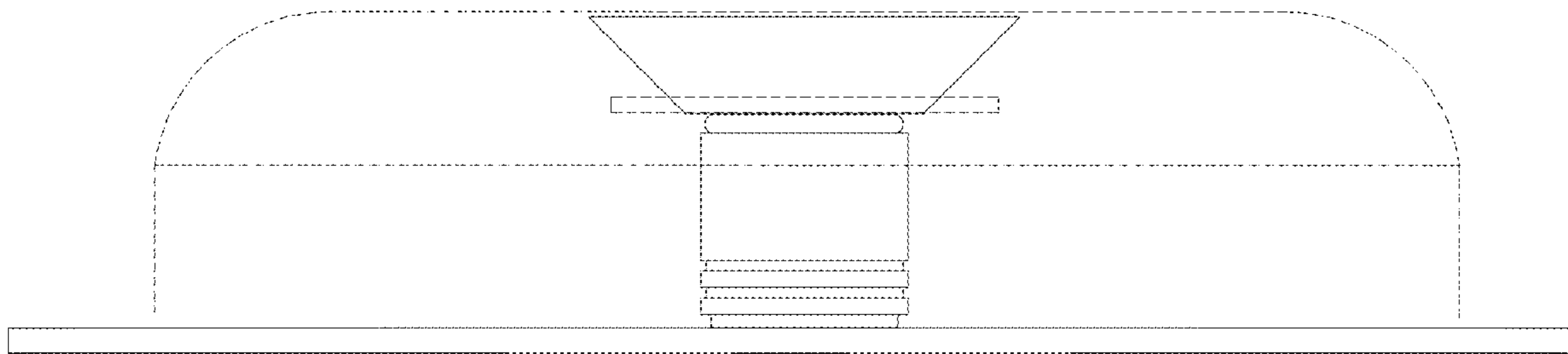


FIG. 5

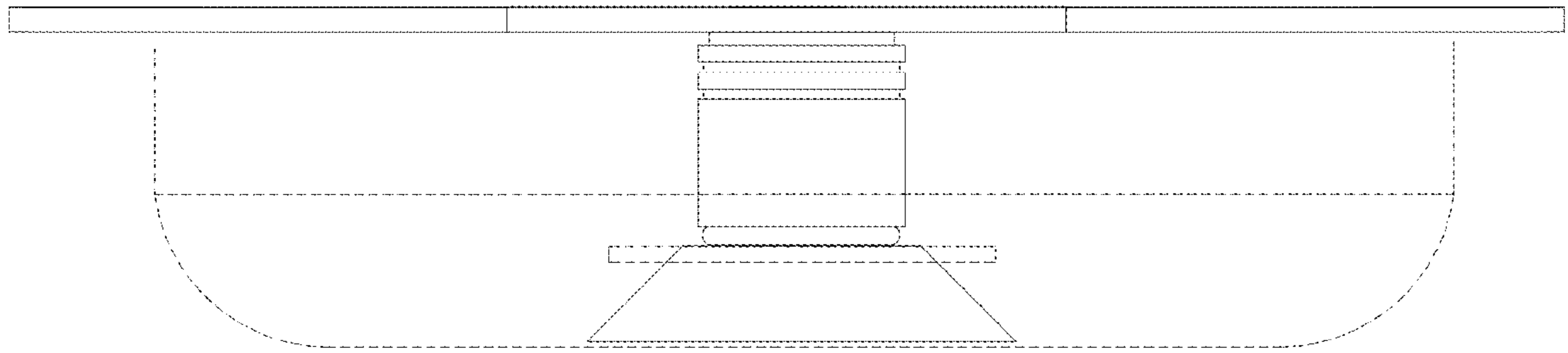


FIG. 6

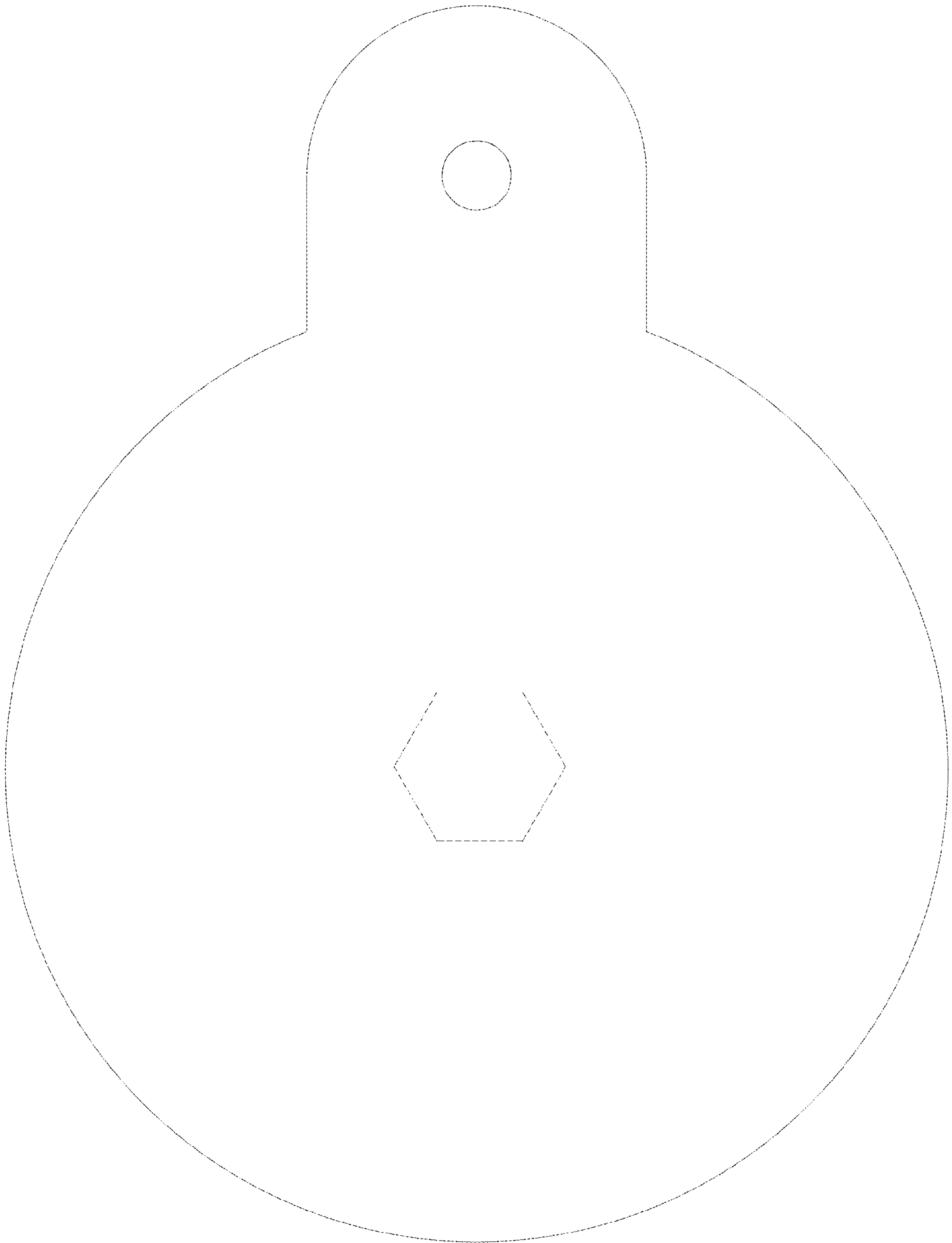


FIG. 7

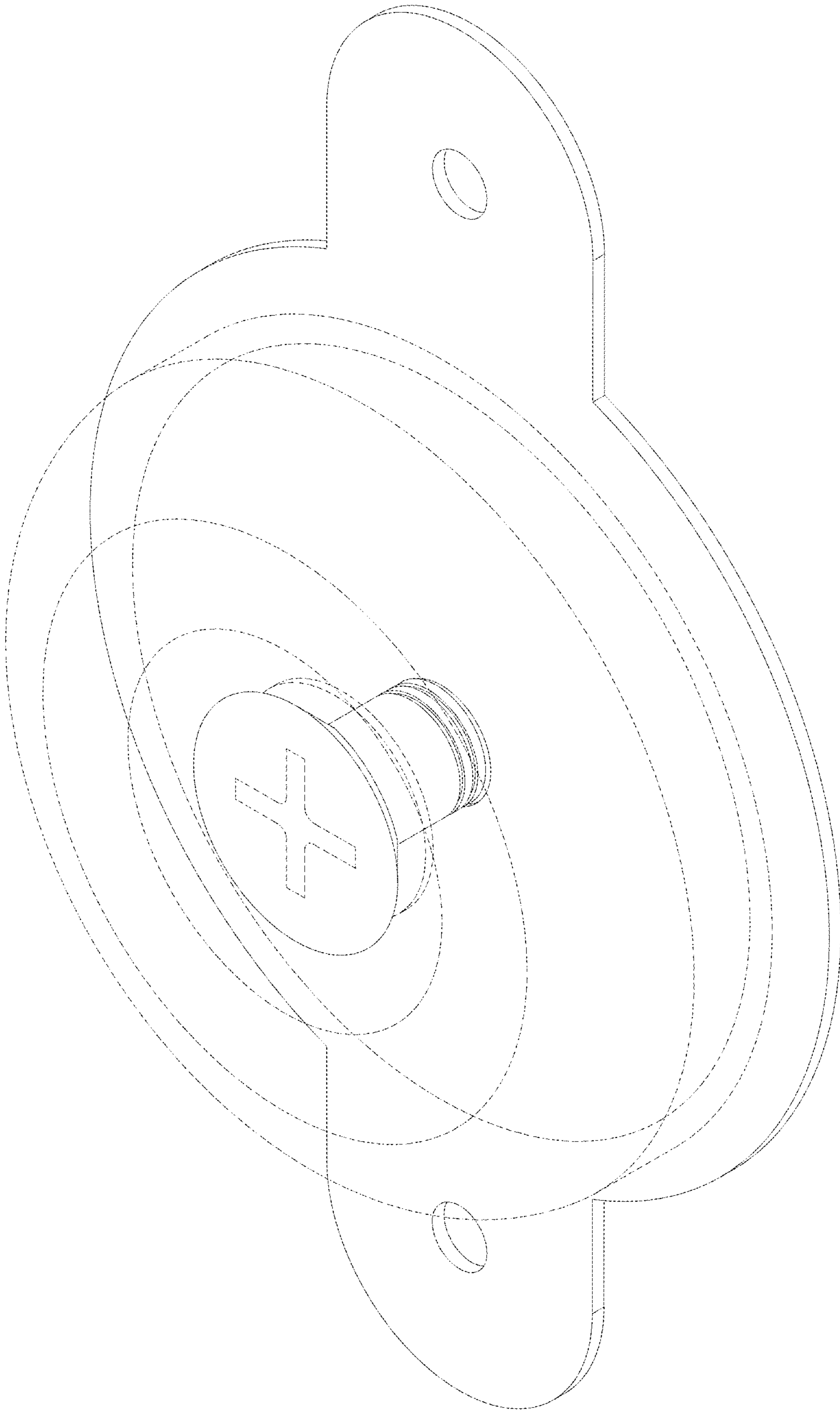


FIG. 8

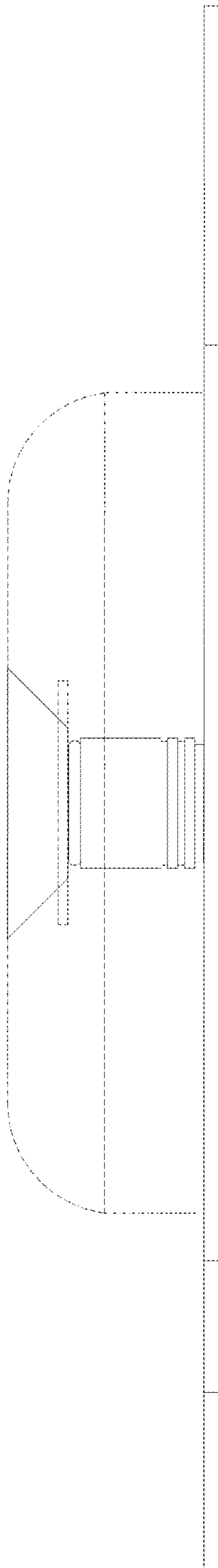


FIG. 9

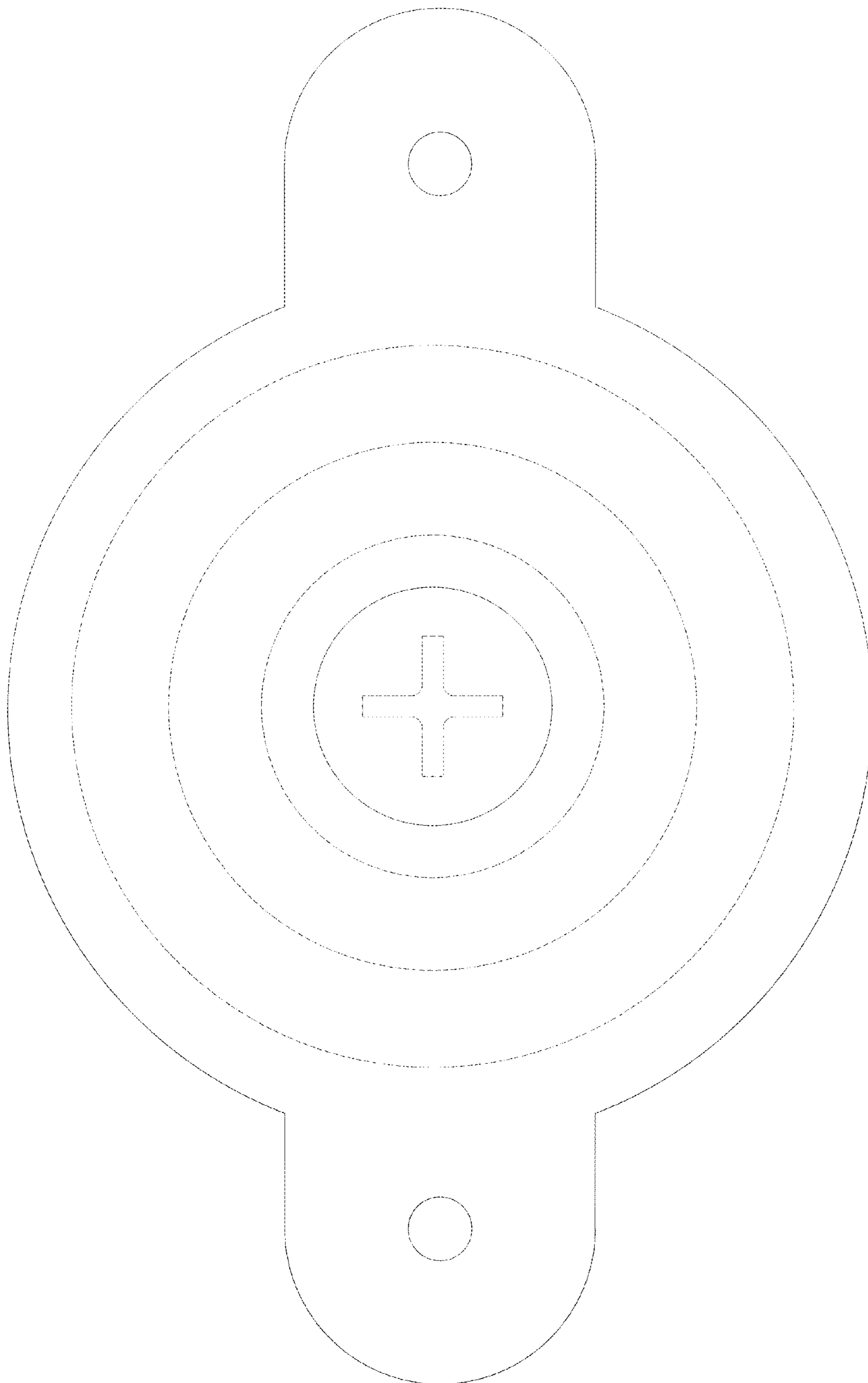


FIG. 10

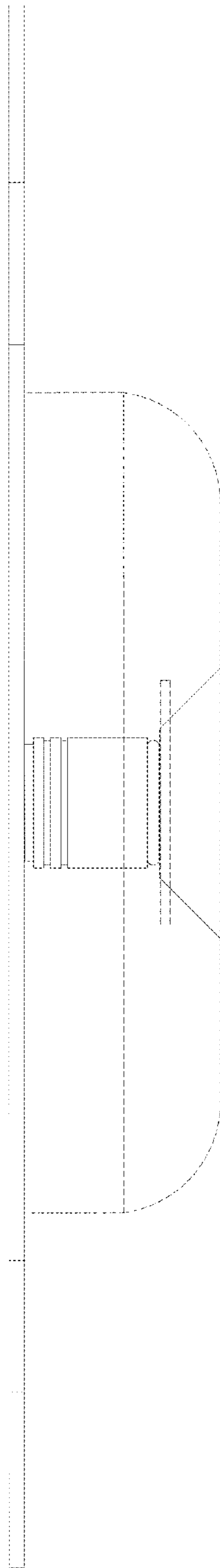


FIG. 11

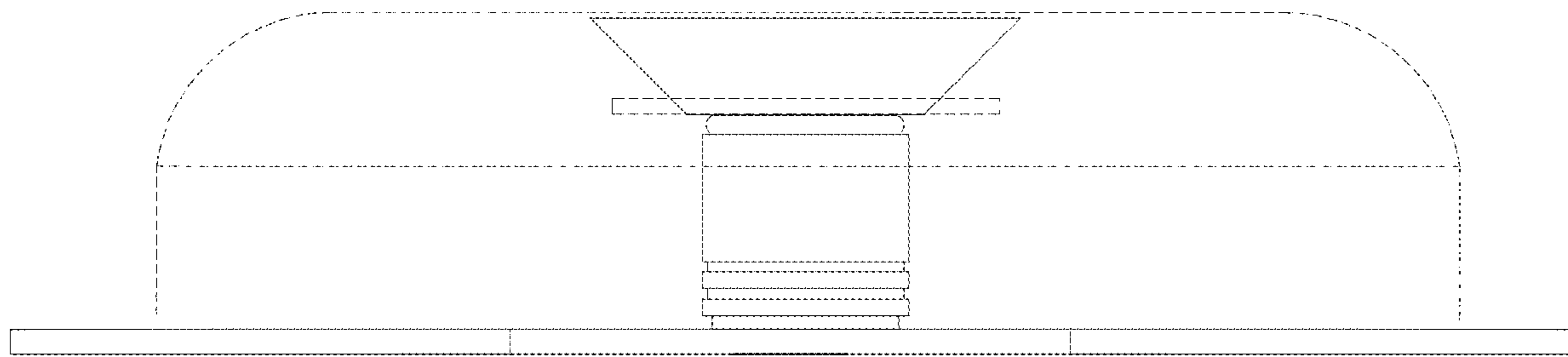


FIG. 12

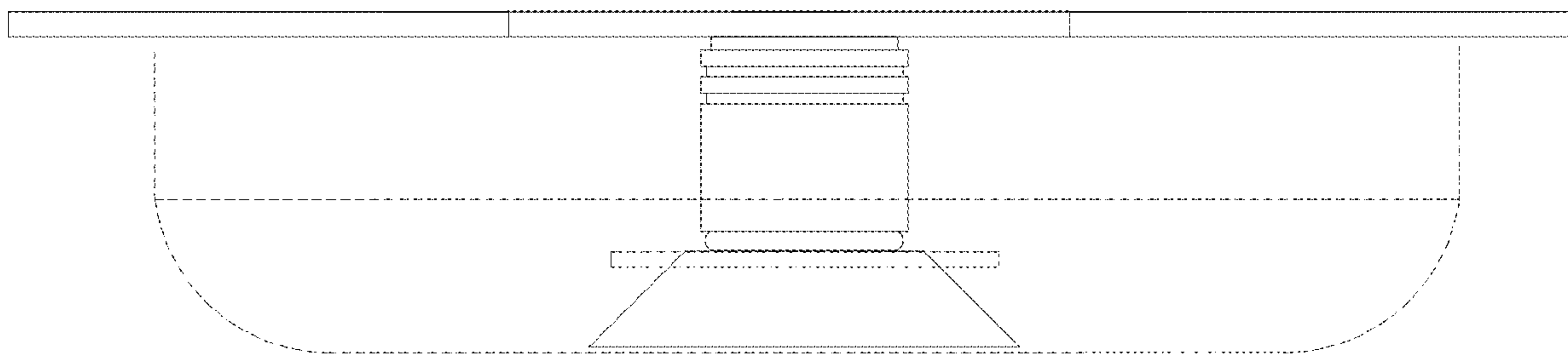


FIG. 13

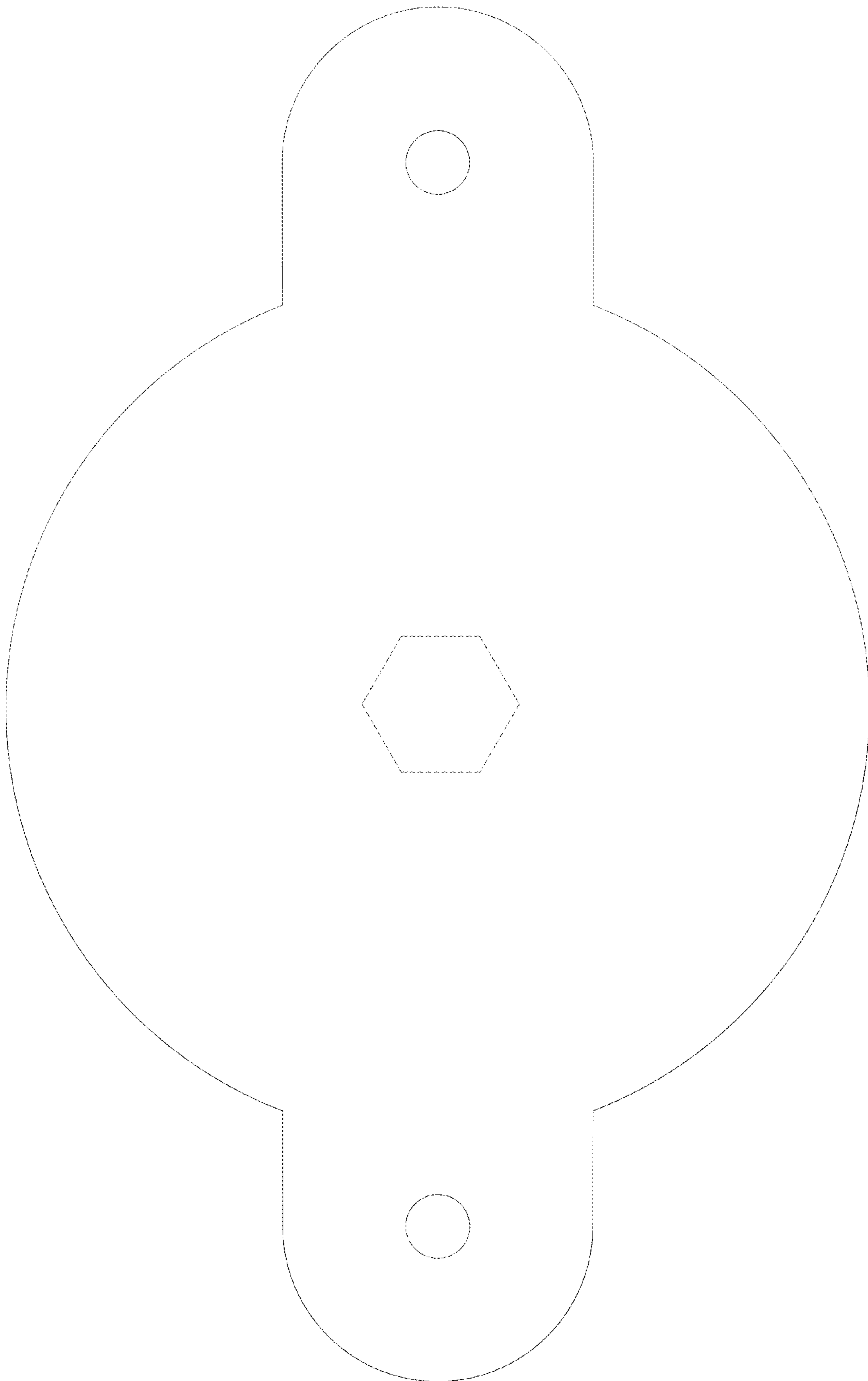


FIG. 14

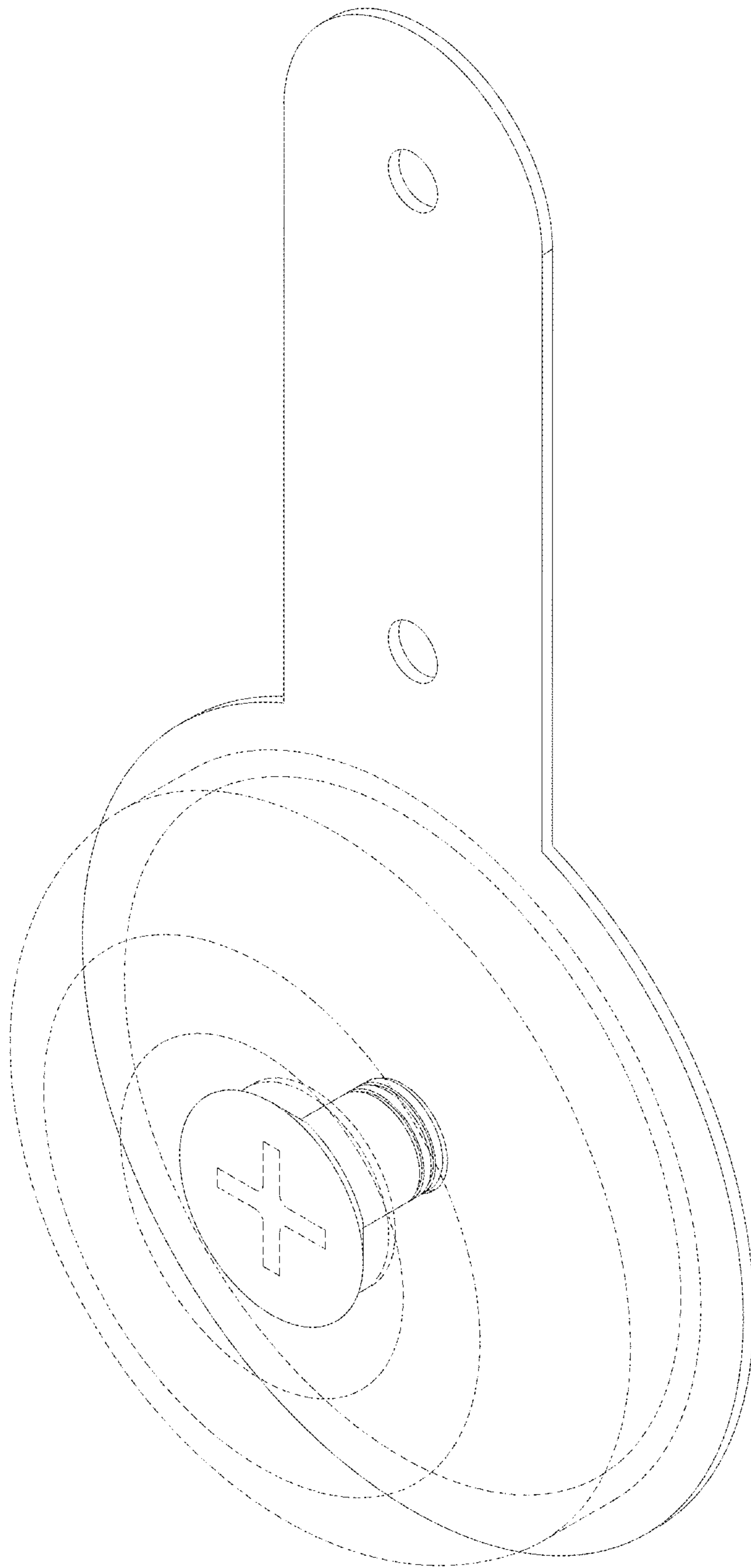


FIG. 15

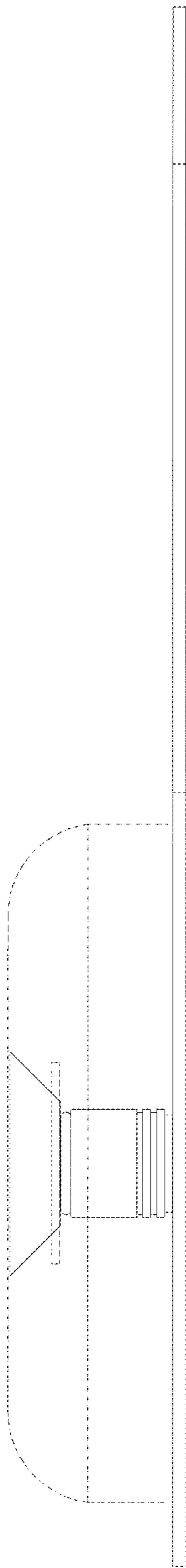


FIG. 16

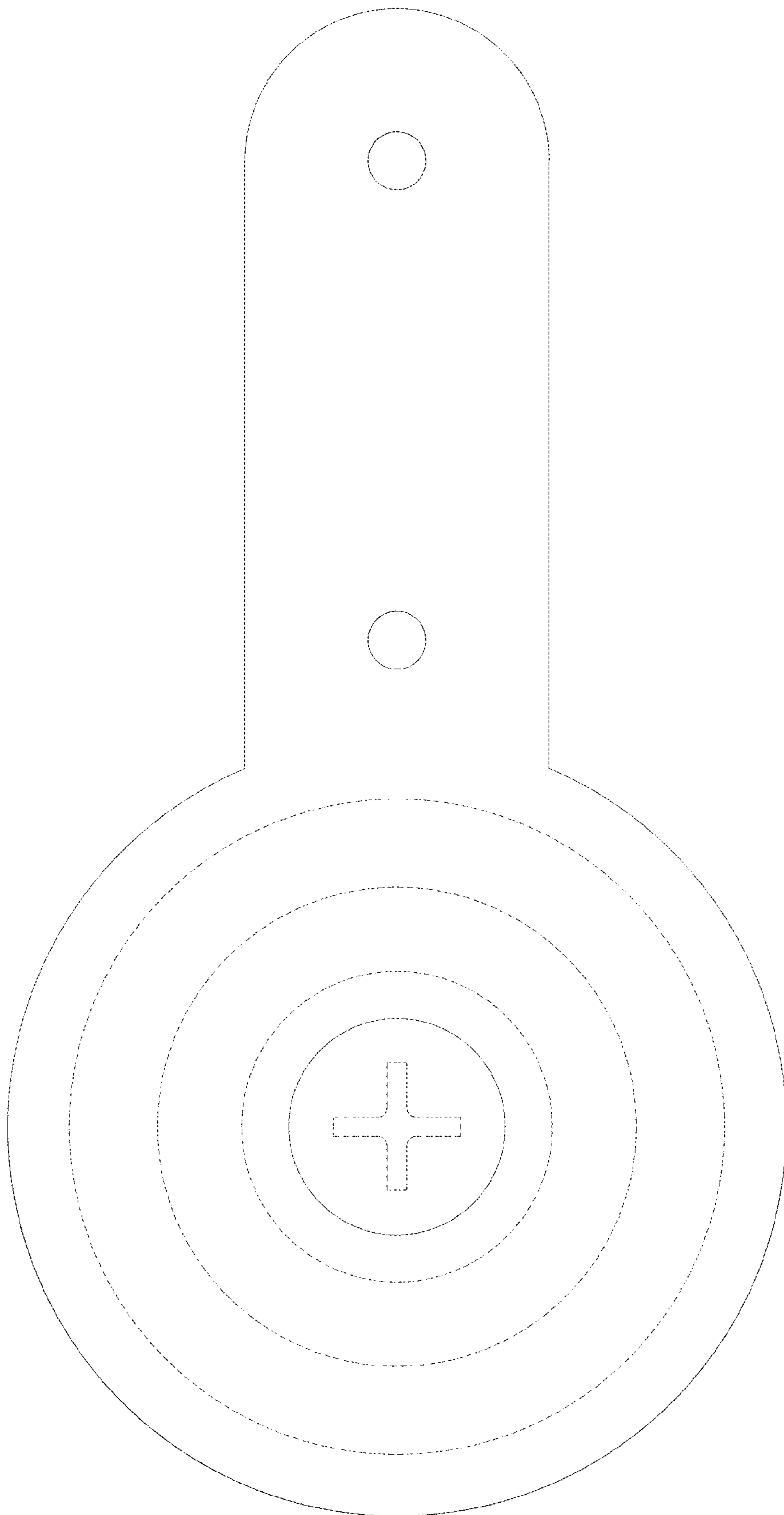


FIG. 17

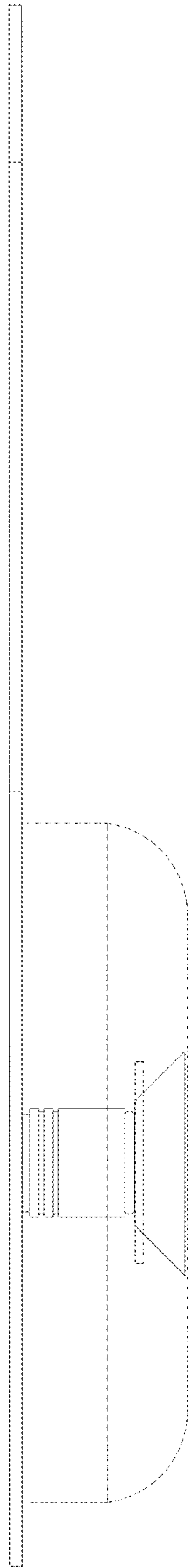


FIG. 18

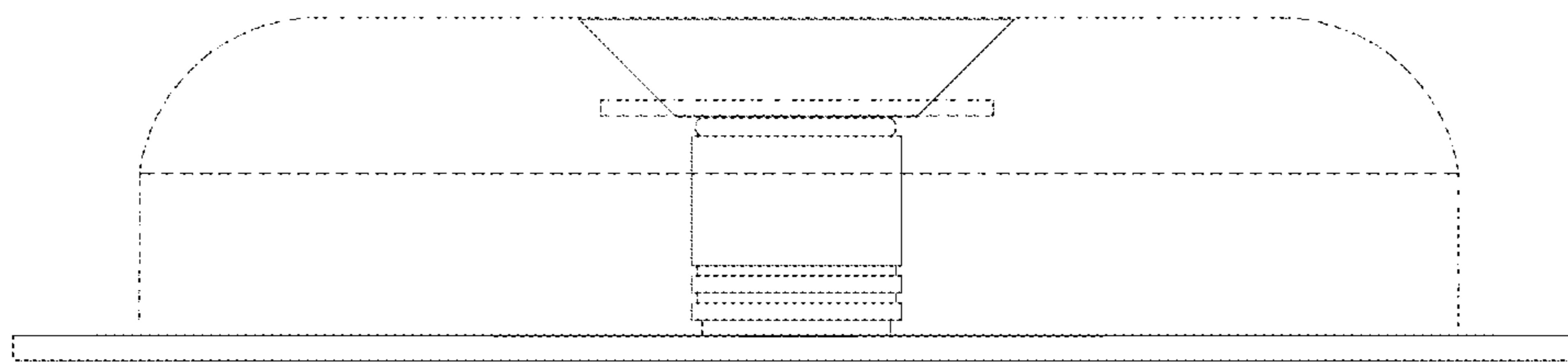


FIG. 19

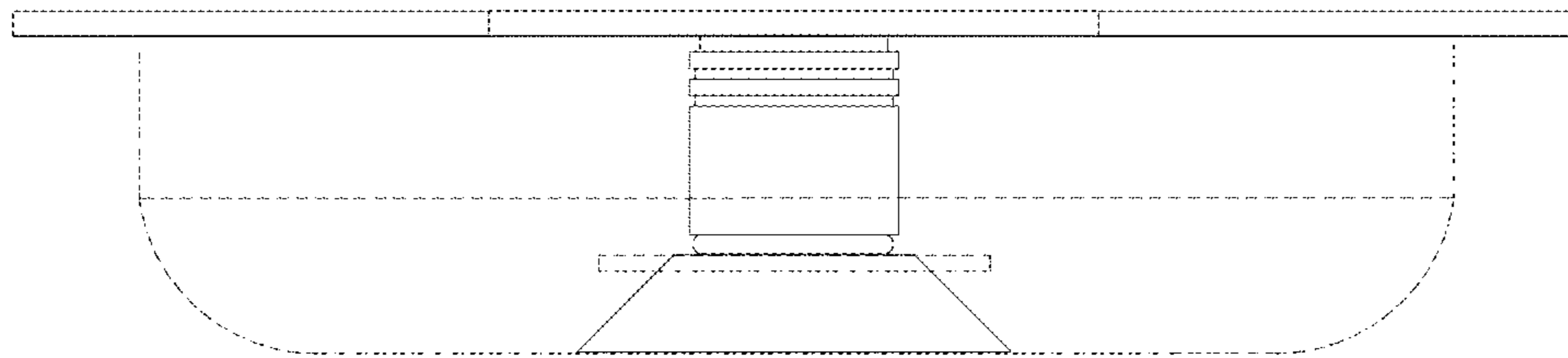


FIG. 20

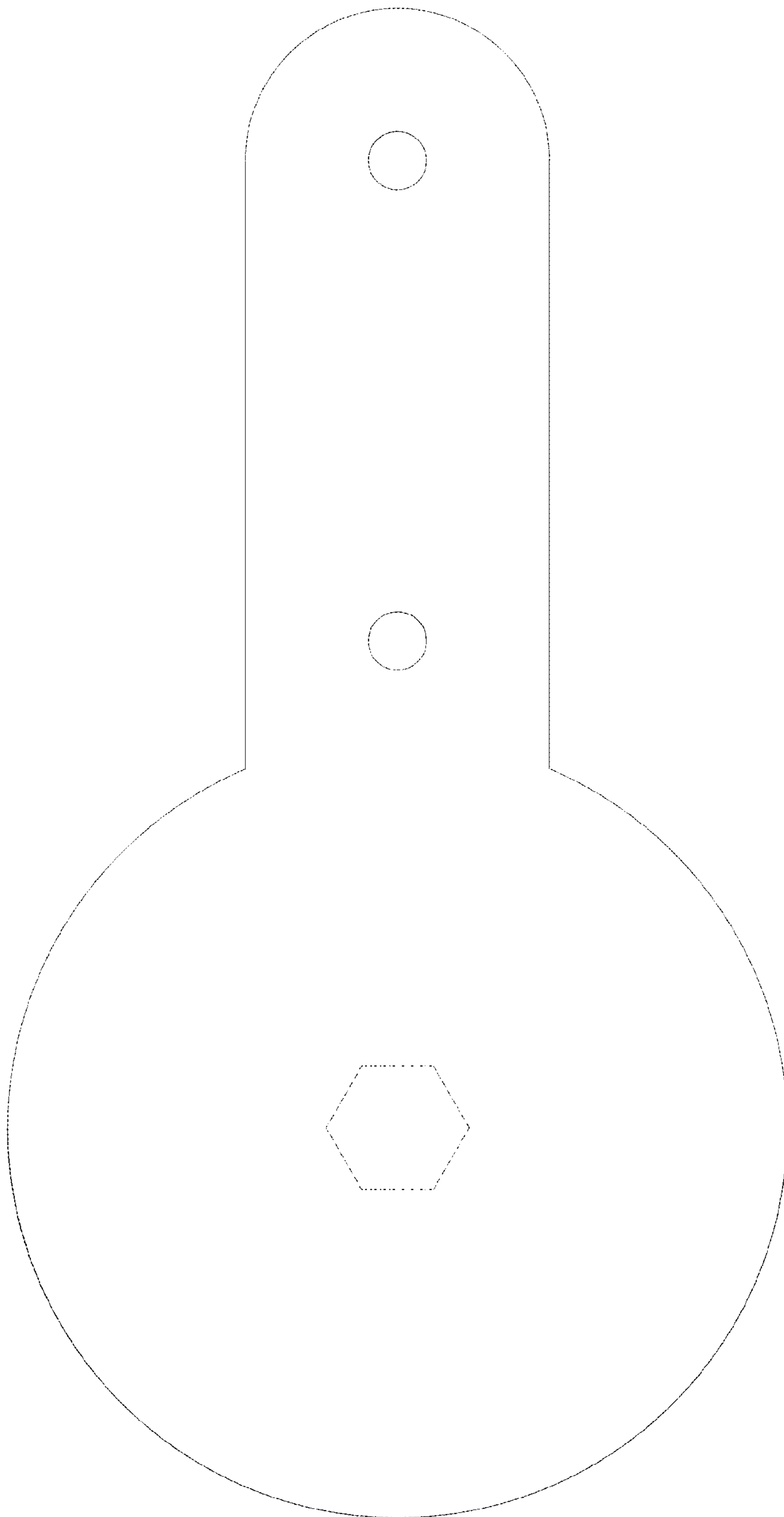


FIG. 21

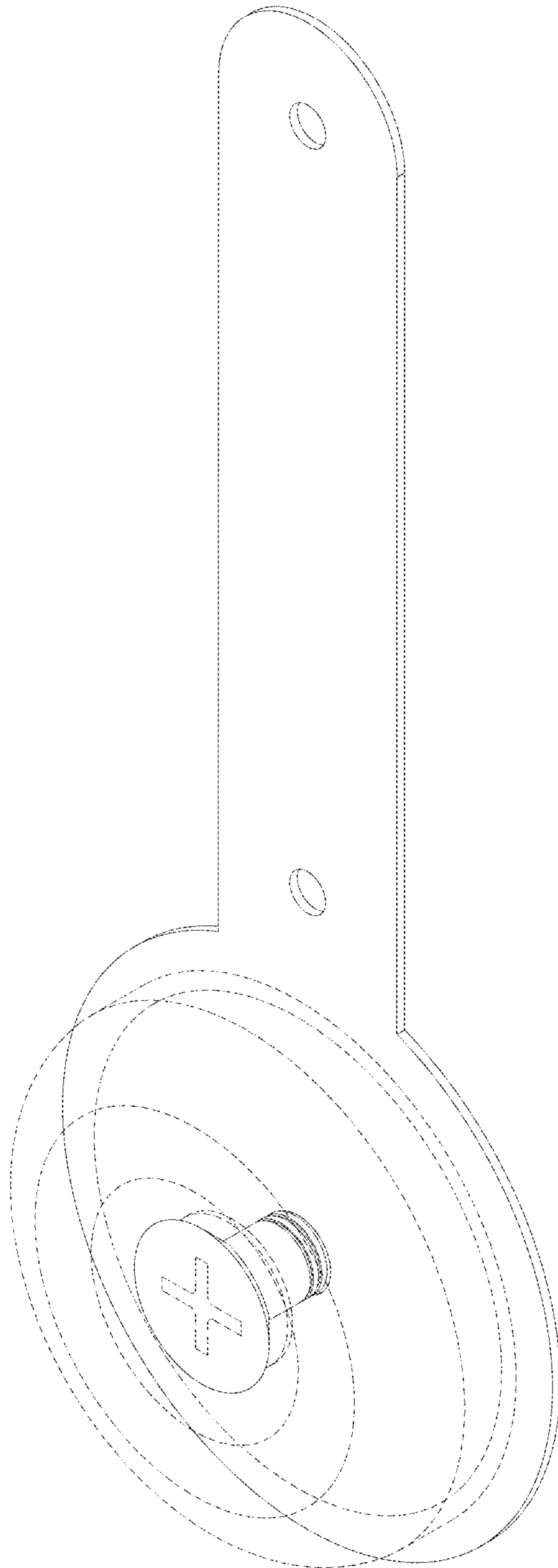


FIG. 22

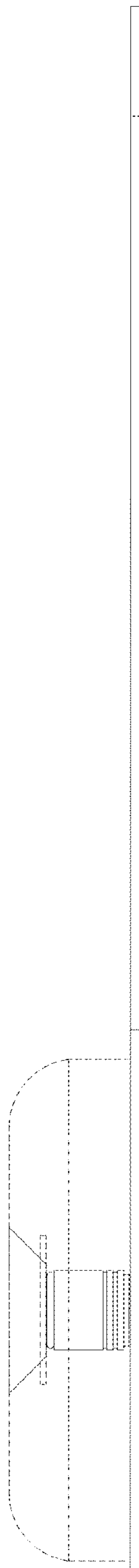


FIG. 23

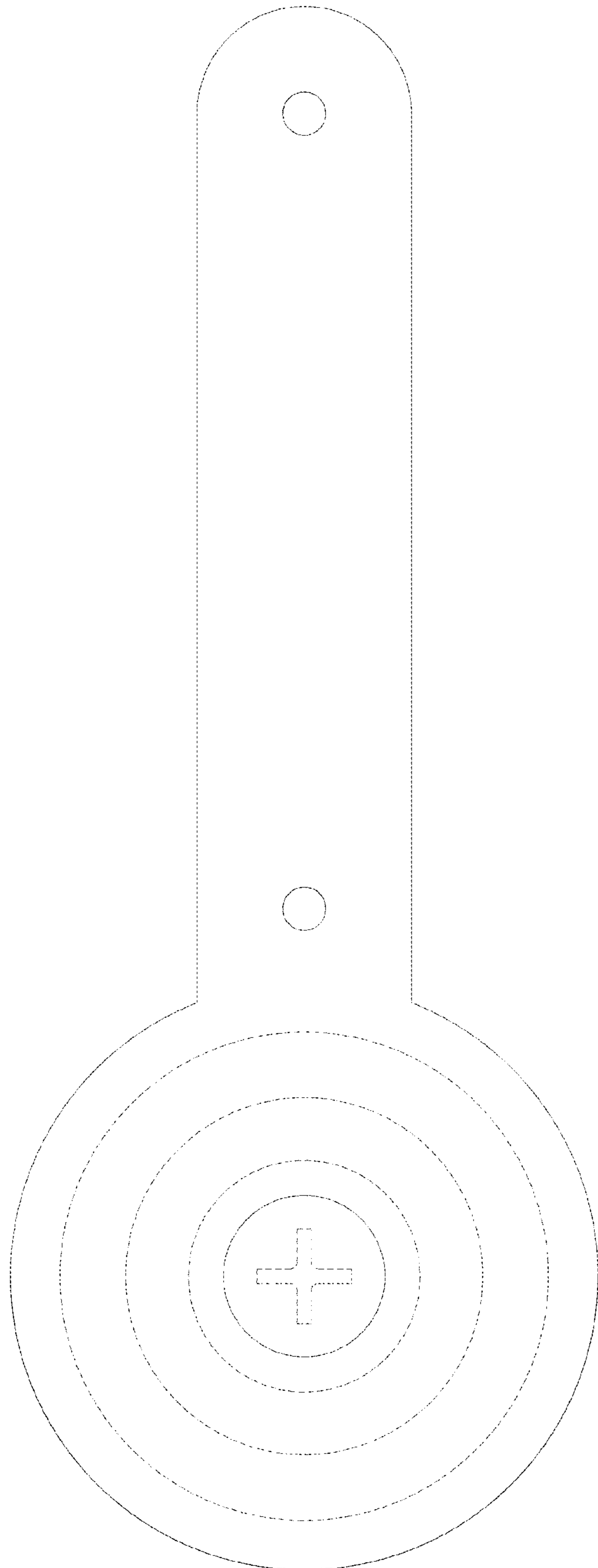


FIG. 24

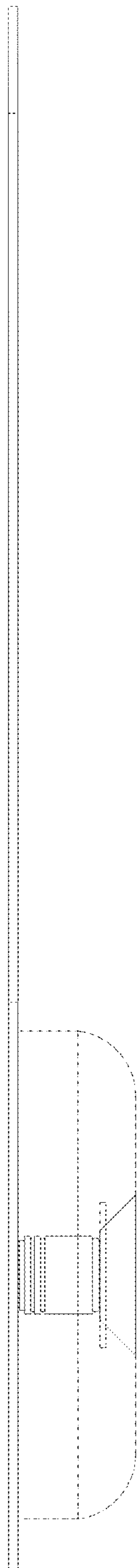


FIG. 25

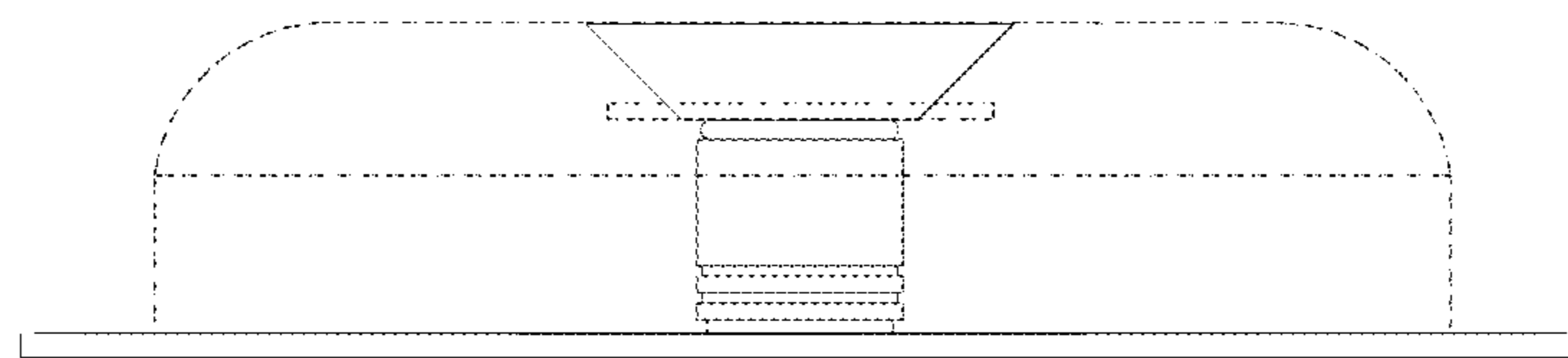


FIG. 26

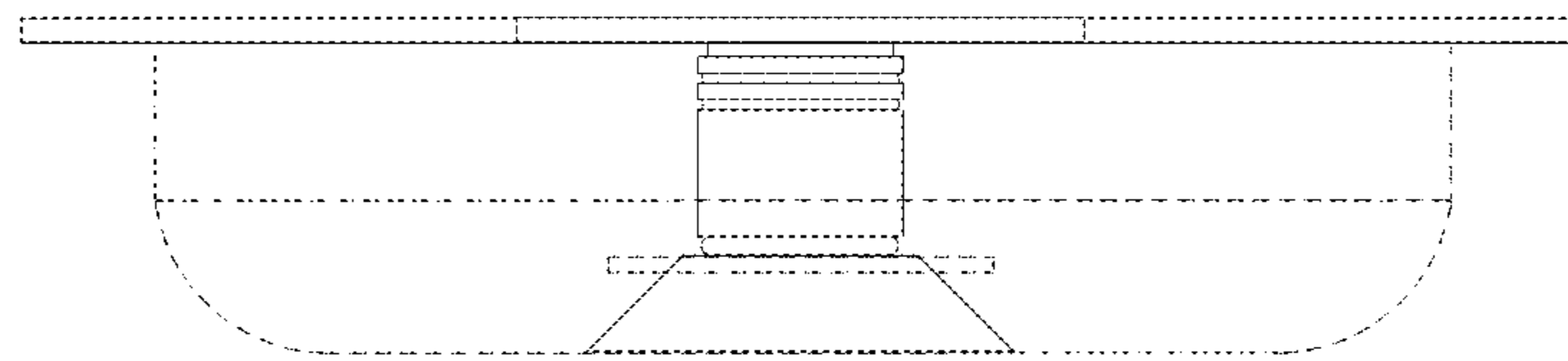


FIG. 27

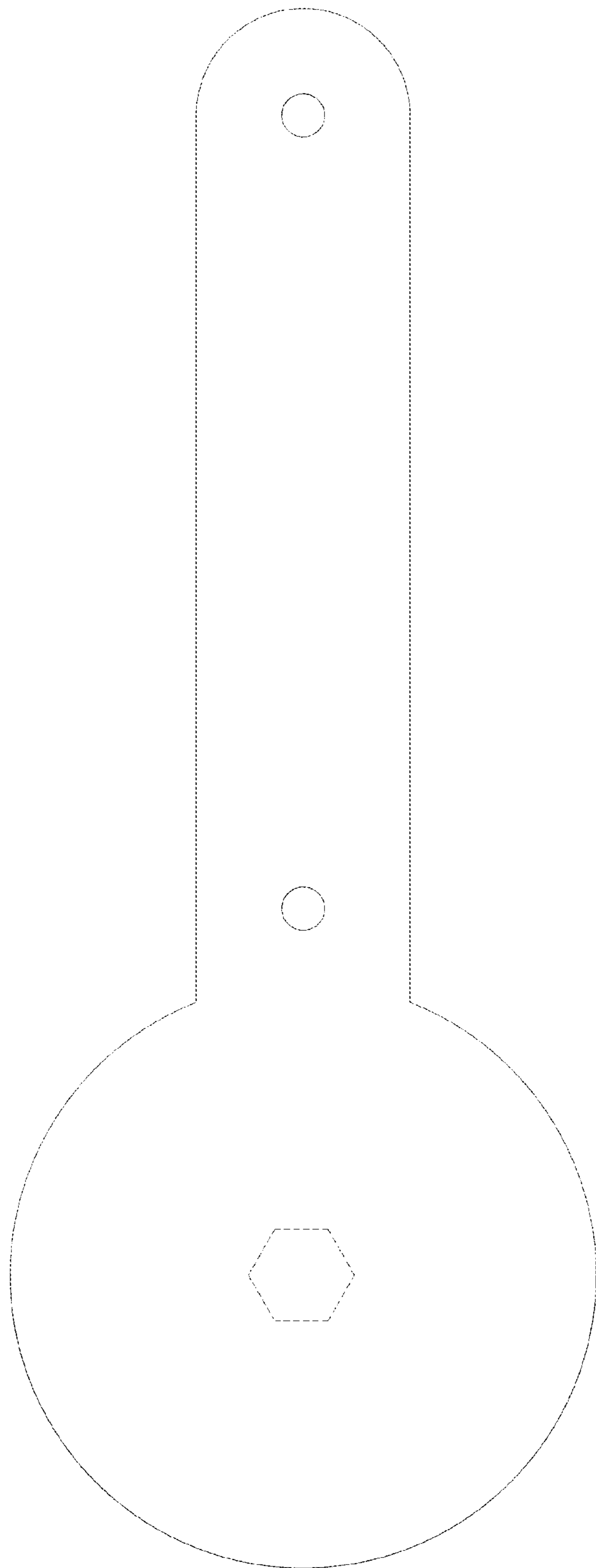


FIG. 28