



US00D965569S

(12) **United States Design Patent**
Breines

(10) **Patent No.:** **US D965,569 S**
(45) **Date of Patent:** **** Oct. 4, 2022**

(54) **DUAL HEADPHONE HOLDER**

(71) Applicant: **Robert Breines**, Westlake Village, CA (US)

(72) Inventor: **Robert Breines**, Westlake Village, CA (US)

(**) Term: **15 Years**

(21) Appl. No.: **29/803,657**

(22) Filed: **Aug. 13, 2021**

Related U.S. Application Data

(63) Continuation-in-part of application No. 29/665,887, filed on Oct. 8, 2018.

(51) **LOC (13) Cl.** **14-01**

(52) **U.S. Cl.**
USPC **D14/224**

(58) **Field of Classification Search**
USPC ... D14/209, 209.1, 210, 211, 217, 221, 224, D14/224.1, 229, 168, 149, 466, 447, 251, D14/252, 253, 254; D6/682, 675.1, 672, D6/673, 406.3, 407; D8/373, 380, 352, D8/353, 354, 349

CPC H04R 1/1033; H04R 1/1091; H04R 1/02; H04R 2201/10; H04M 1/6058; H04M 1/6041; A45F 2200/0508

See application file for complete search history.

(56) **References Cited**

U.S. PATENT DOCUMENTS

D671,110 S	*	11/2012	Choi	D14/253
D689,427 S	*	9/2013	Frey	D12/415
D714,775 S	*	10/2014	Yoo	D14/447
D723,011 S	*	2/2015	Symons	D14/224
D747,177 S	*	1/2016	McGinty	D8/380
D788,080 S	*	5/2017	Turksu	D14/224
D799,464 S	*	10/2017	Zaihui	D14/252
D802,401 S	*	11/2017	Harris	D8/367
D827,617 S	*	9/2018	Dillon	D14/224
D829,703 S	*	10/2018	Balmer	D14/251
D855,038 S	*	7/2019	Hu	D14/224

D870,093 S	*	12/2019	McSweyn	D14/253
D900,122 S	*	10/2020	Siminoff	D14/451
D902,217 S	*	11/2020	Zhang	D14/447
D907,013 S	*	1/2021	Lu	D14/224
D911,151 S	*	2/2021	Smith	D8/354
D915,359 S	*	4/2021	Zhang	D14/224
D928,127 S	*	8/2021	Brogan	D14/224
D928,701 S	*	8/2021	Liao	D13/108
D928,703 S	*	8/2021	Liao	D13/108
D934,851 S	*	11/2021	Kaiser	D16/242
D937,251 S	*	11/2021	Peng	D16/237
D938,803 S	*	12/2021	Gualtieri	D8/349
D938,943 S	*	12/2021	Amiya	D14/224
D939,480 S	*	12/2021	van Til	D14/224
D940,124 S	*	1/2022	Bae	D14/253
D940,700 S	*	1/2022	Yongren	D14/447
D941,758 S	*	1/2022	Abe	D13/108
2005/0103957 A1	*	5/2005	Chang	F16M 11/22 248/311.2
2017/0251293 A1	*	8/2017	Green	H02J 7/00

FOREIGN PATENT DOCUMENTS

GB	6157066	*	8/2021
JP	D1570442	*	1/2017
JP	D1673279	*	11/2020
KR	300980457.0000	*	11/2018

OTHER PUBLICATIONS

Enhance PC Gaming Dual Headphone Holder, announced Jan. 19, 2021 [online], retrieved Feb. 10, 2022, retrieved from internet, <https://www.amazon.com/ENHANCE-Gaming-Headphone-Holder-Clip/dp/B08TGMQ779>.*

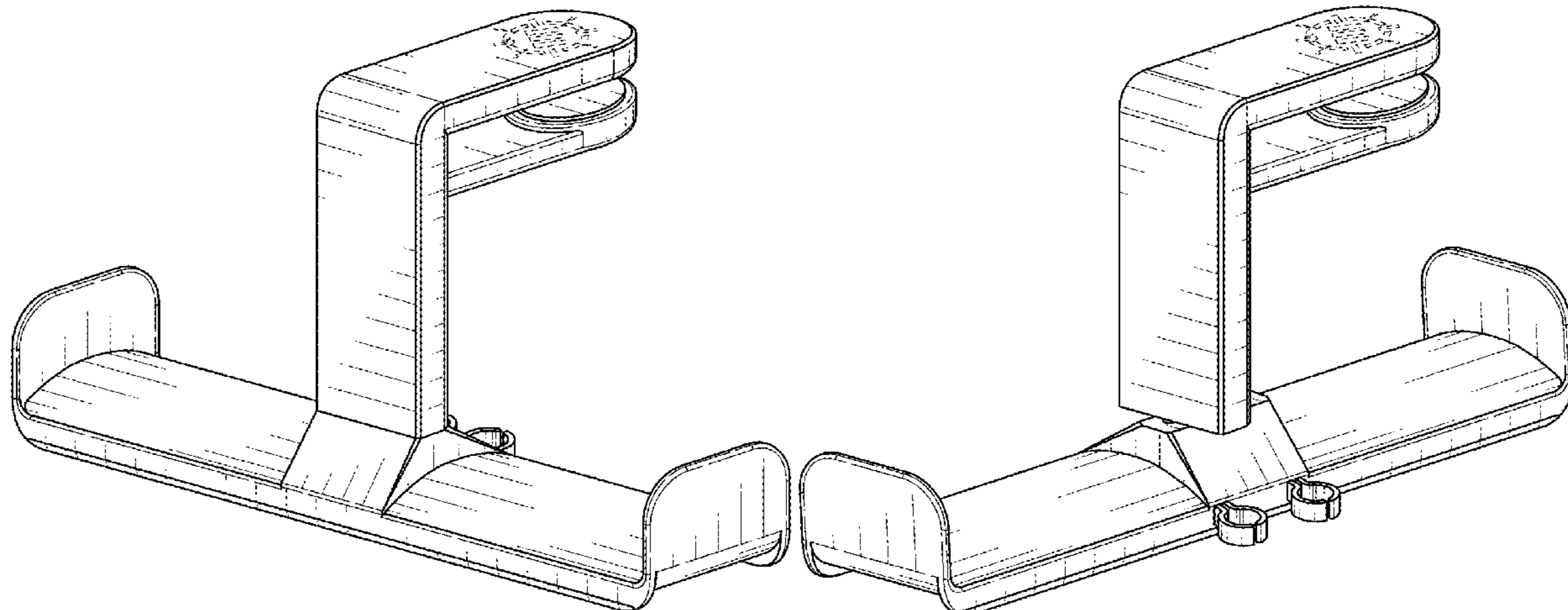
Controller Holder Pink, Headphone Stand, announced Aug. 17, 2021 [online], retrieved Feb. 10, 2022, retrieved from internet, <https://www.amazon.com/Controller-Headphone-KELJUN-Adjustable-Accessories/dp/B09CTQTR5J>.*

PC Gaming Headset Headphone Hook Holder Hanger Mount, announced Mar. 31, 2018 [online], retrieved Feb. 10, 2022, retrieved from internet, <https://www.amazon.com/Headphone-Headphones-Adjustable-Universal-EURPMASK/dp/B07BVK2FQW>.*

Dual Headphone Stand Hanger Under Desk, announced Nov. 2, 2019 [online], retrieved Feb. 10, 2022, retrieved from internet, <https://www.amazon.com/dp/B07ZWTNTFV>.*

7 Best Headphone Stand Options in 2022, announced Jan. 6, 2022 [online], retrieved Feb. 10, 2022, retrieved from internet, <https://headphonesproreview.com/best-headphone-stand/>.*

The Anchor—The Original Under-Desk Headphone Stand Mount, announced Oct. 31, 2014 [online], retrieved Feb. 10, 2022, retrieved



from internet, <https://www.amazon.com/Anchor-ORIGINAL-Under-Desk-Headphone-Stand/dp/B00P31BMHG>.^{*}
Headset Hanger, announced ©2022 [online], retrieved Feb. 10, 2022, retrieved from internet, <https://www.walmart.com/ip/Headset-Hanger-Earphone-Headphone-Stand-Earphone-Metal-Hook-Holder-Table-Clamp-Desk-Clip-PU-Leather-Pad/931257667>.^{*}

^{*} cited by examiner

Primary Examiner — Messina L Smith
(74) *Attorney, Agent, or Firm* — QuickPatents, LLC;
Kevin Prince

(57) **CLAIM**

The ornamental design for a dual headphone holder, as shown and described.

DESCRIPTION

FIG. 1 is a top perspective view of a dual headphone holder showing my new design in a first position with the clamp in an engaged position;

FIG. 2 is a top perspective view of the dual headphone holder shown in a second position with the clamp in an engaged position;

FIG. 3 is an enlarged top perspective view of the dual headphone holder shown in the first position;

FIG. 4 is an enlarged top perspective view of the dual headphone holder shown in the second position;

FIG. 5 is a bottom perspective view of the dual headphone holder shown in a third position;

FIG. 6 is a rear perspective view thereof;

FIG. 7 is a rear elevational view of the dual headphone holder shown in the first position with the clamp in a disengaged position;

FIG. 8 is a front elevational view thereof;

FIG. 9 is a rear elevational view of the dual headphone holder shown in the first position with the clamp in an engaged position;

FIG. 10 is a right side elevation view thereof, the left side view being a mirror image thereof;

FIG. 11 is a top plan view thereof;

FIG. 12 is a bottom plan view thereof;

FIG. 13 is a rear perspective view of the dual headphone holder shown in a fourth position with the clamp in an engaged position; and,

FIG. 14 is a right side elevational view thereof.

The broken lines showing a table and headphones in FIGS. 1 and 2 depict environmental matter and form no part of the claimed design. The table is shown with symbolic cuts in the length and width. The appearance of any portion of the table beyond the cut lines forms no part of the claimed design. All other broken lines depict portions of the headphone holder that form no part of the claimed design.

1 Claim, 12 Drawing Sheets

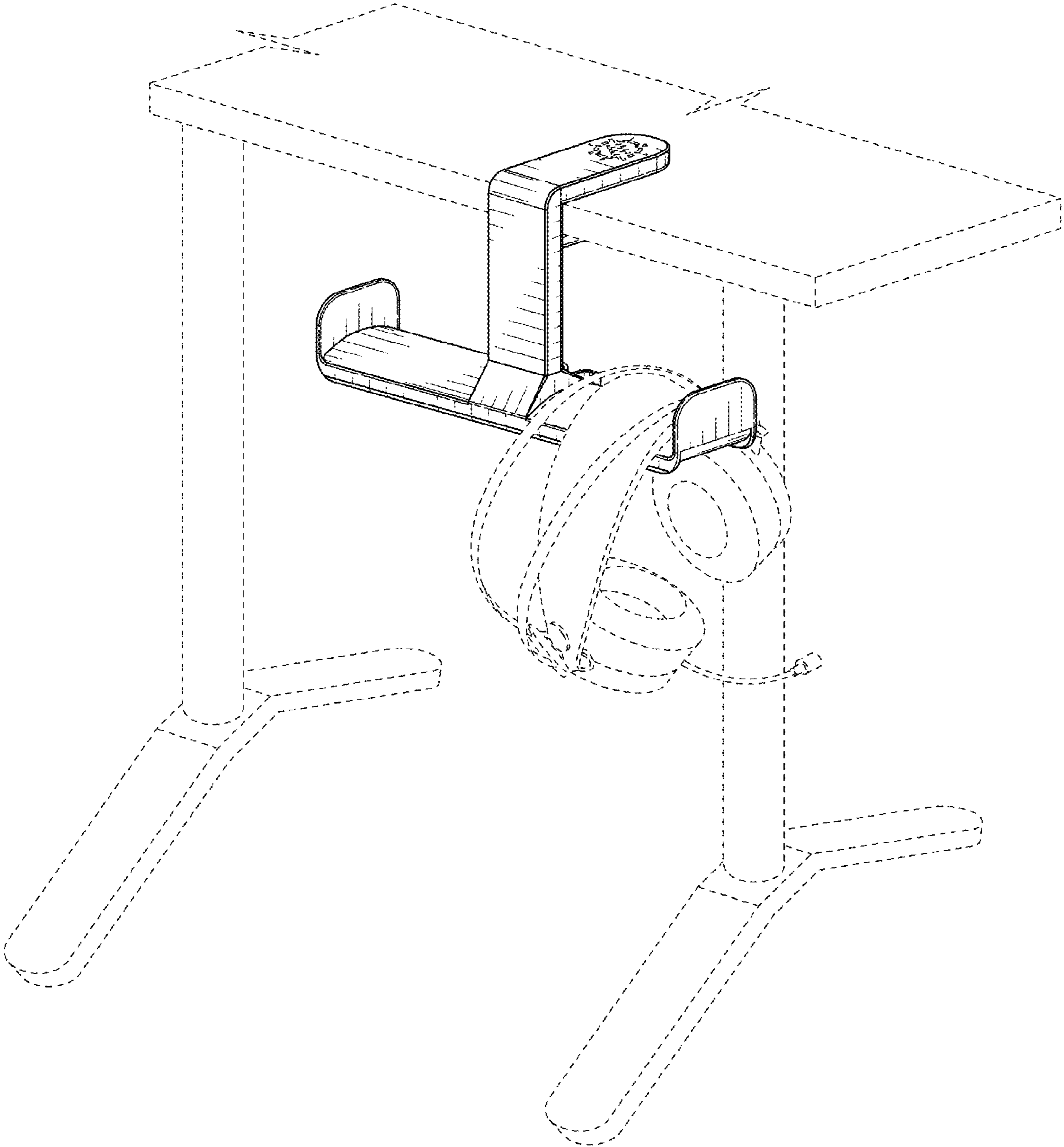


FIG. 1

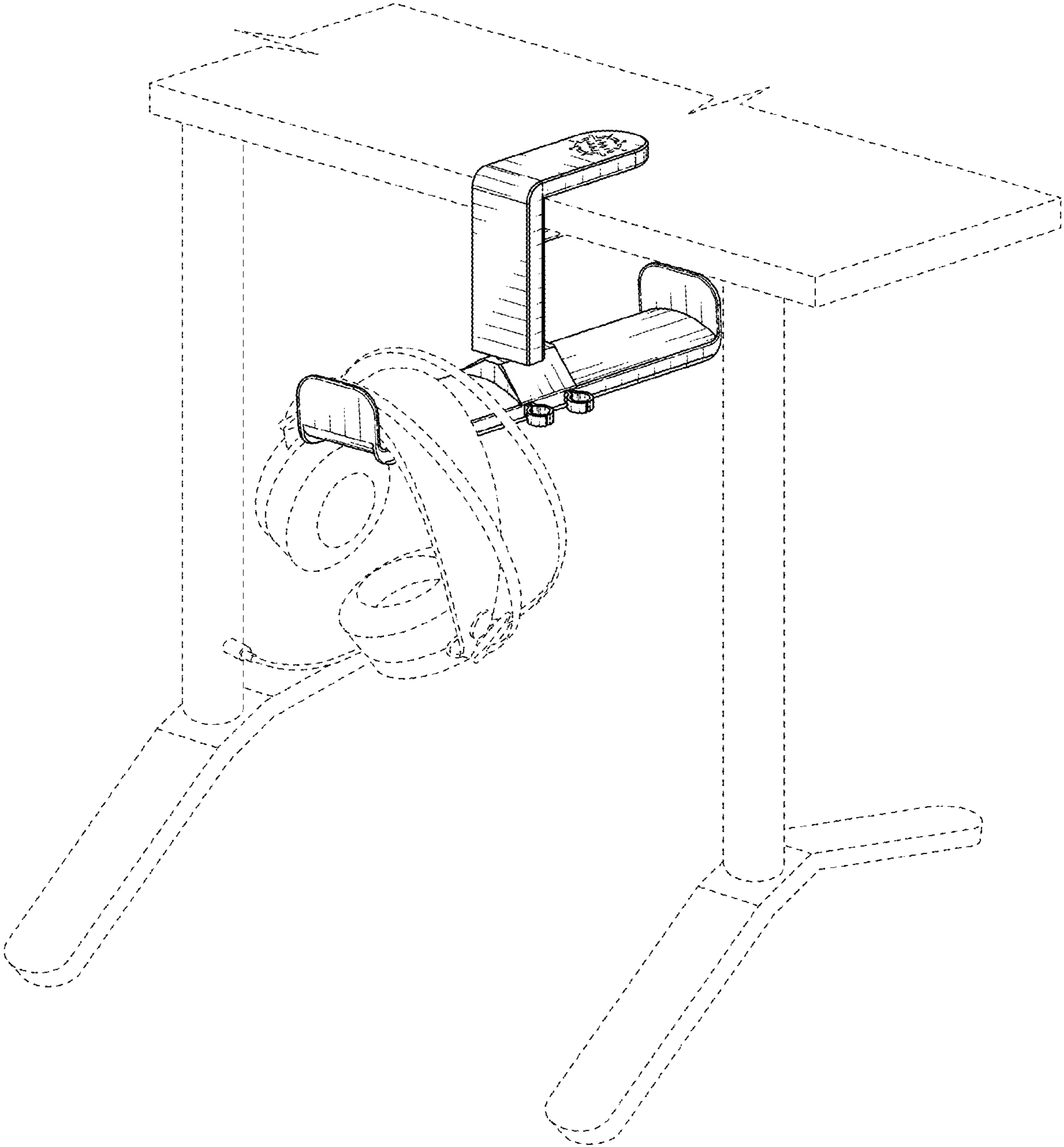


FIG. 2

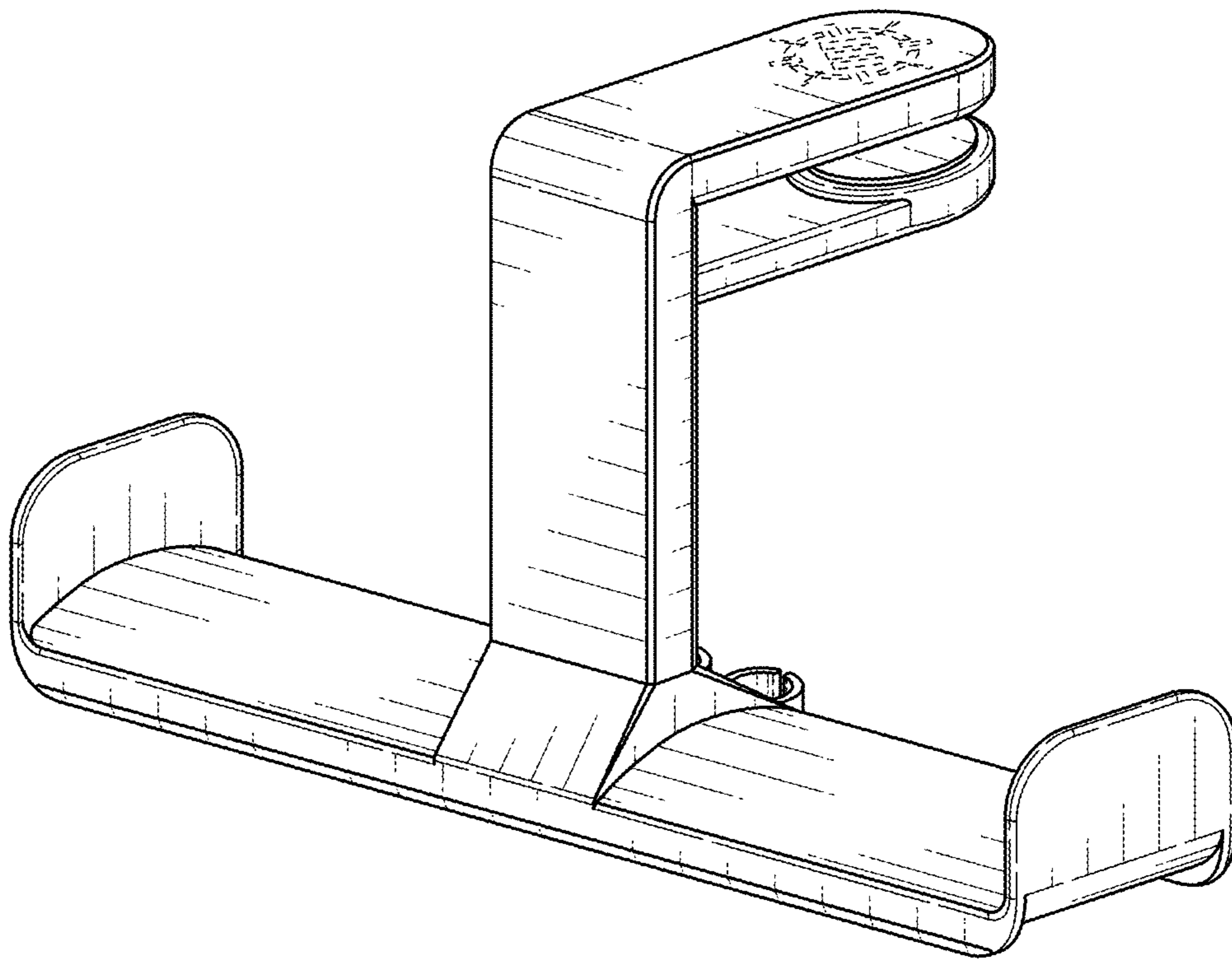


FIG. 3

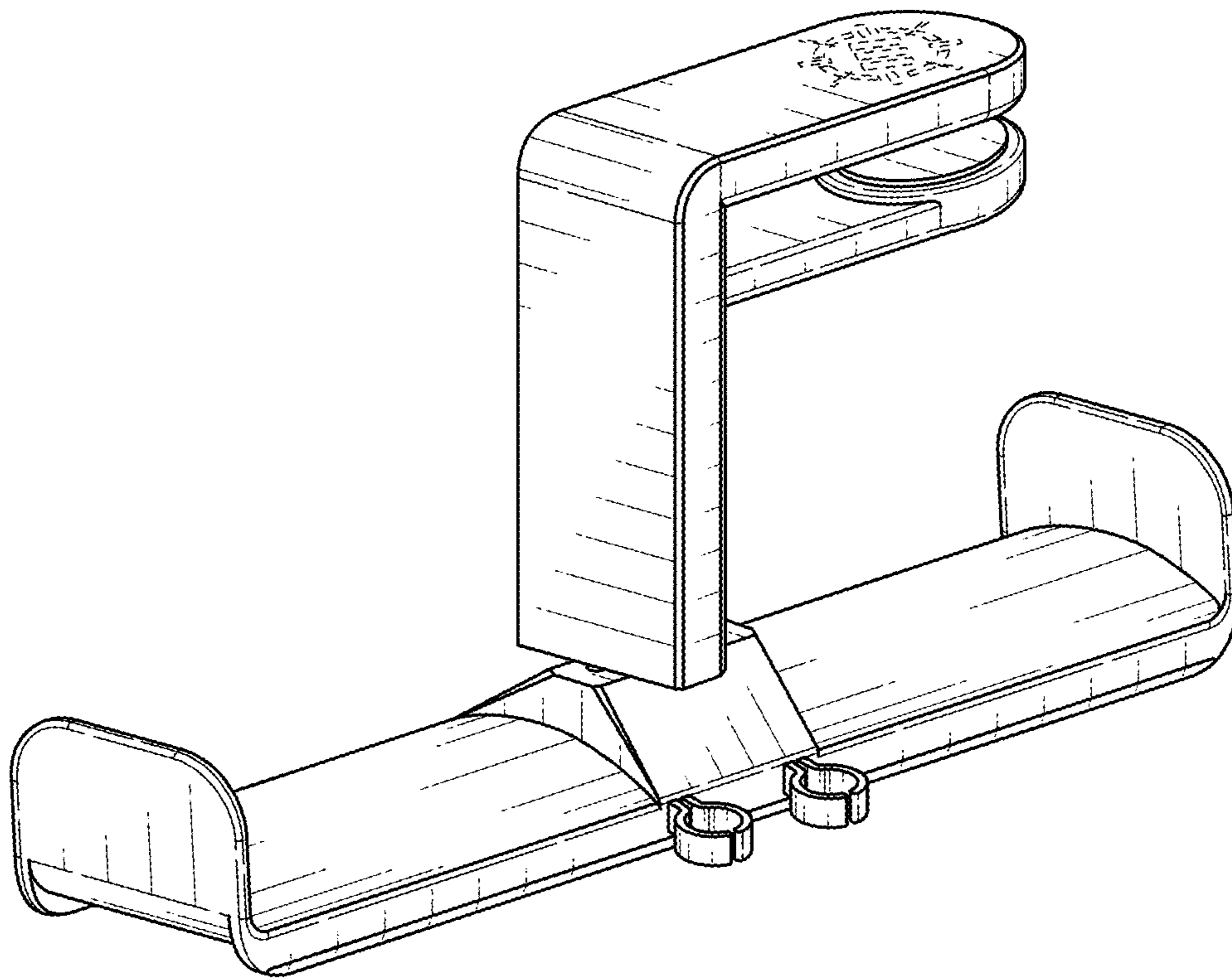


FIG. 4

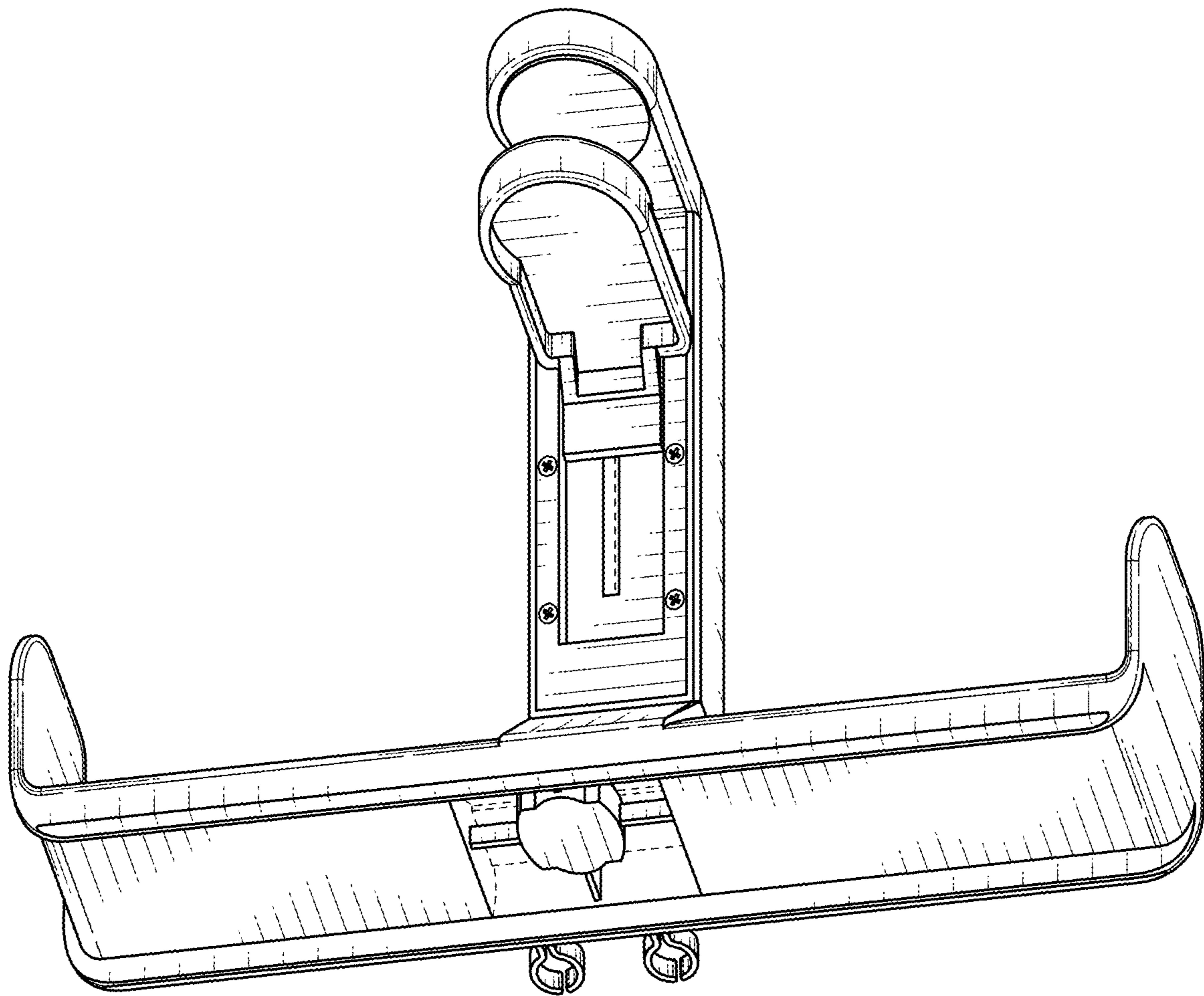


FIG. 5

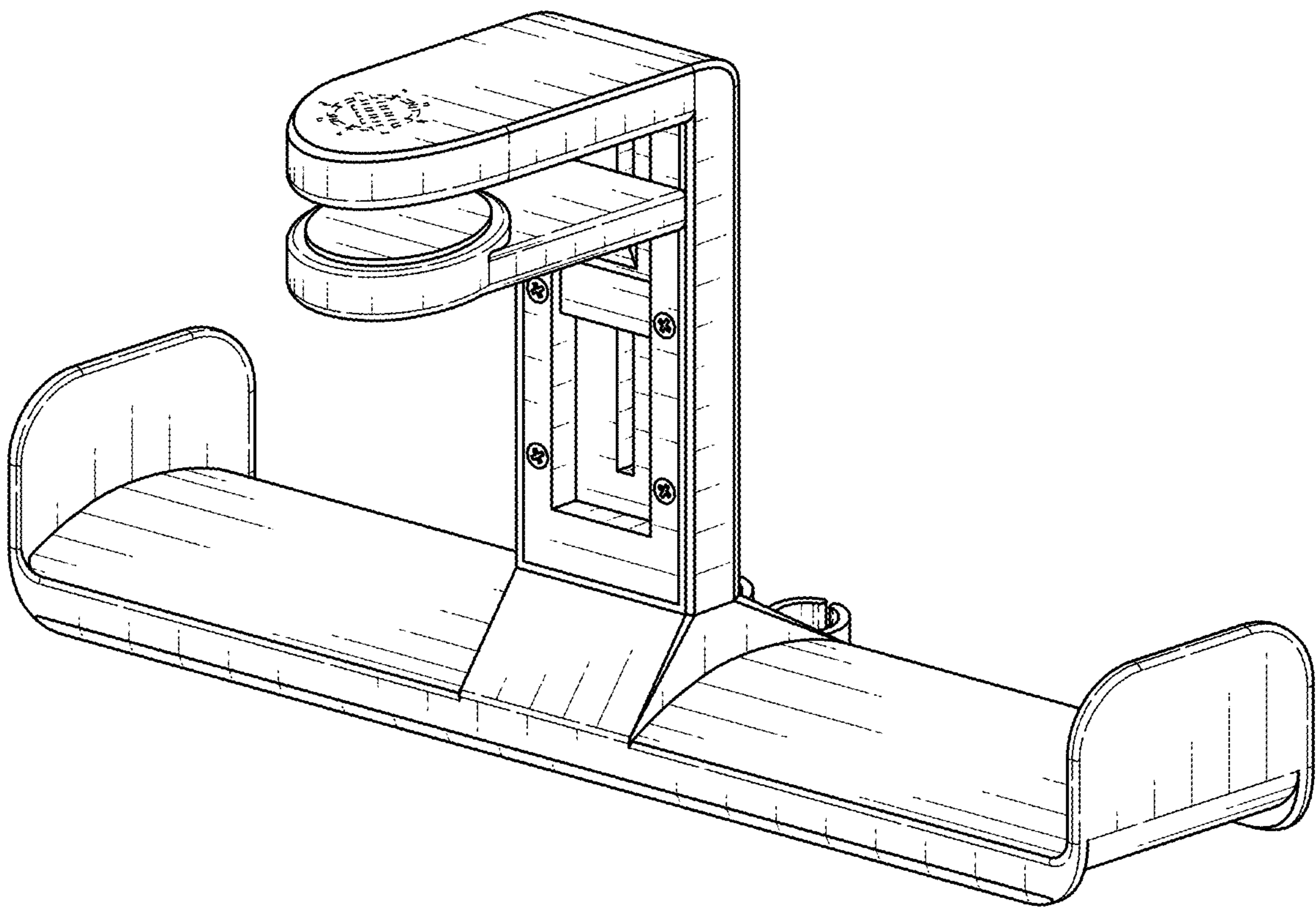


FIG. 6

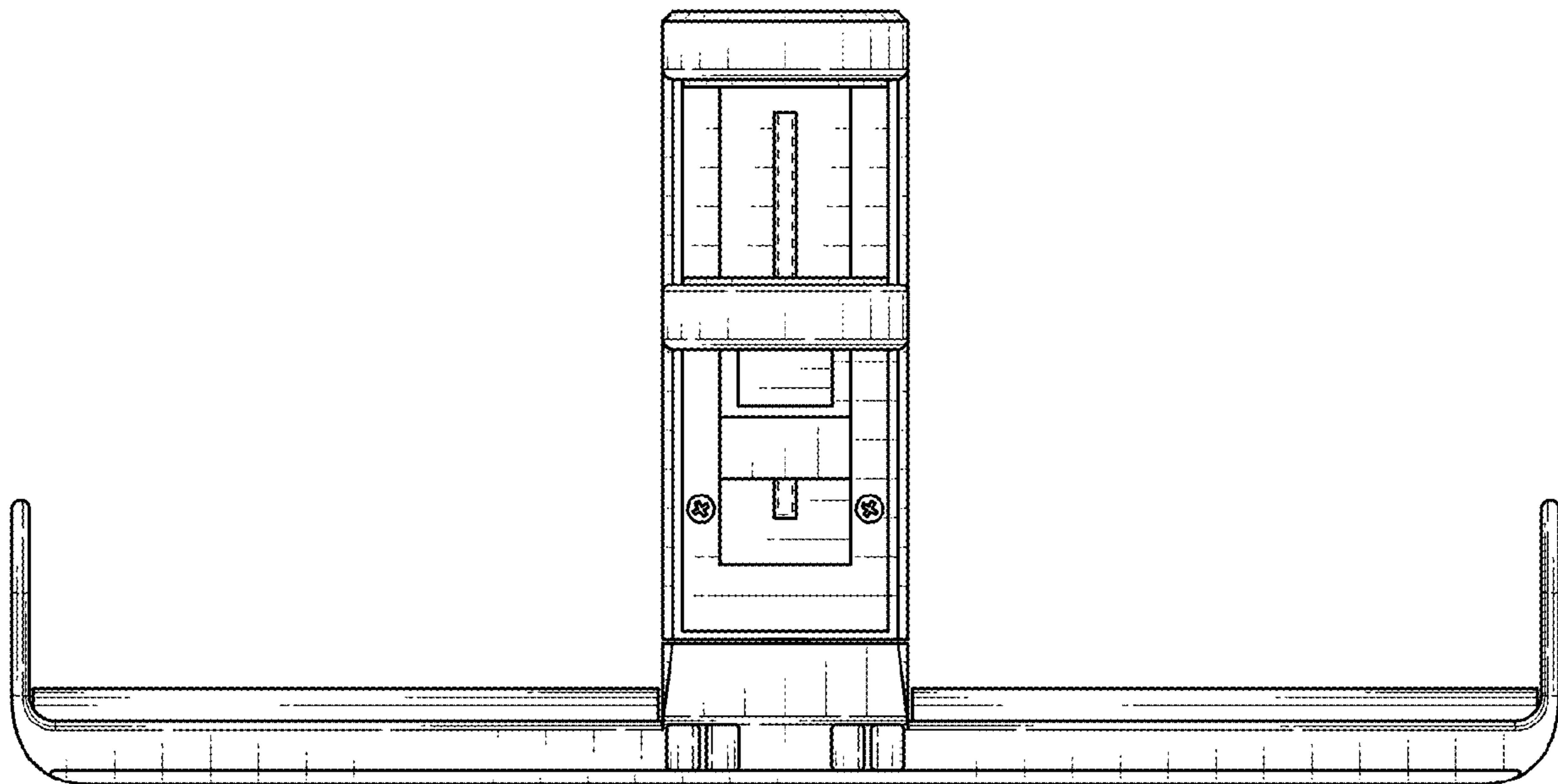


FIG. 7

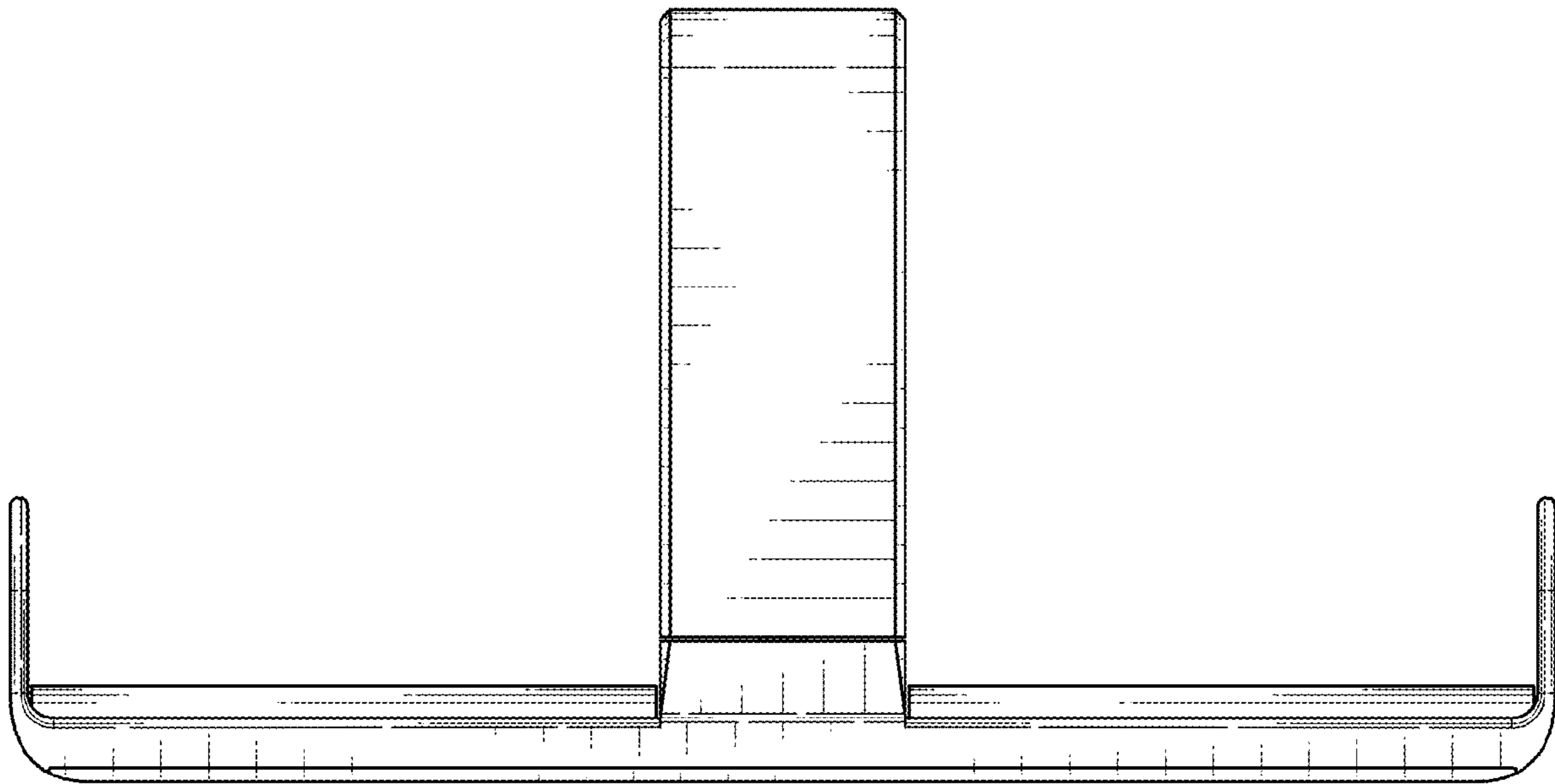


FIG. 8

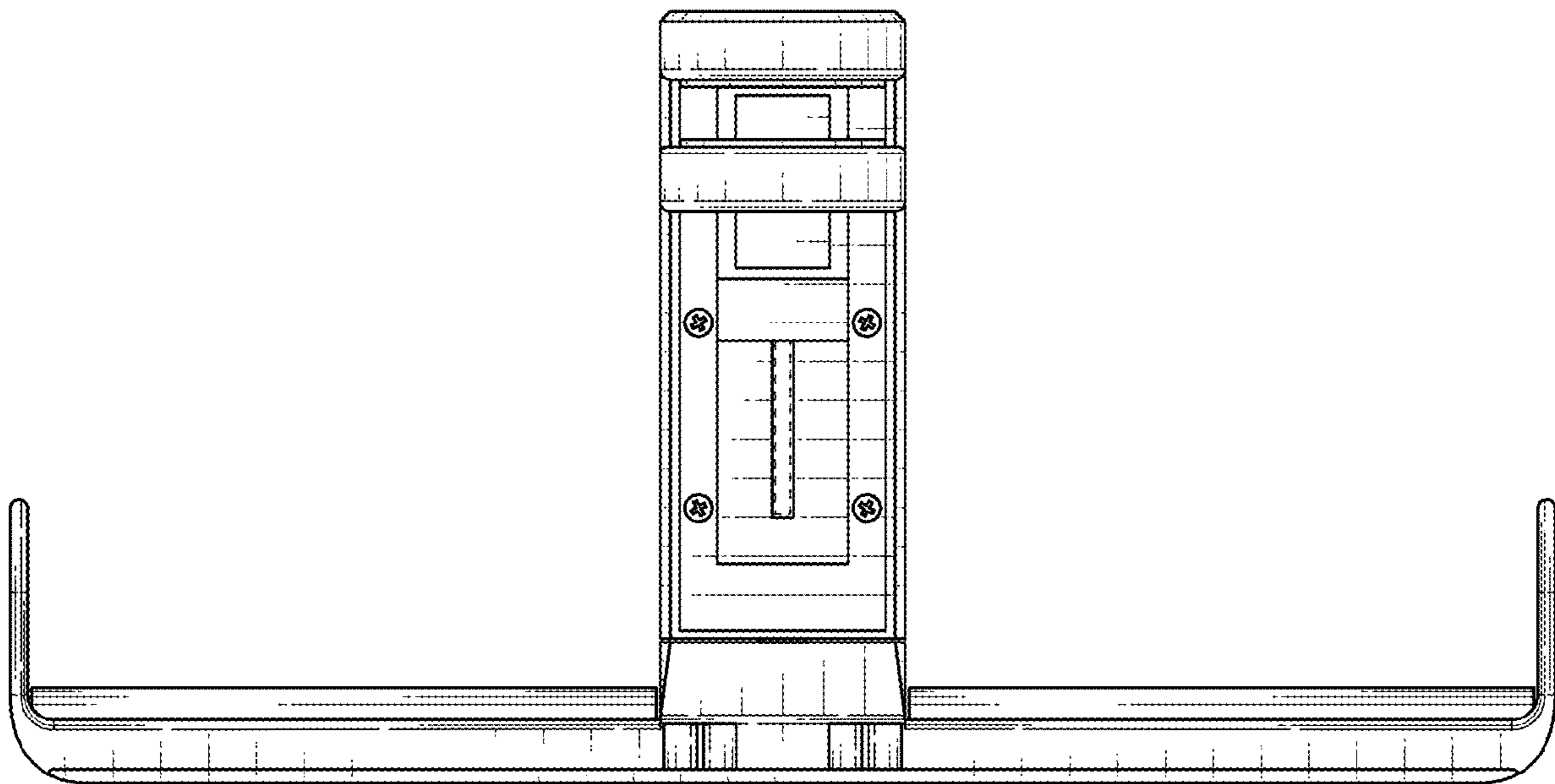


FIG. 9

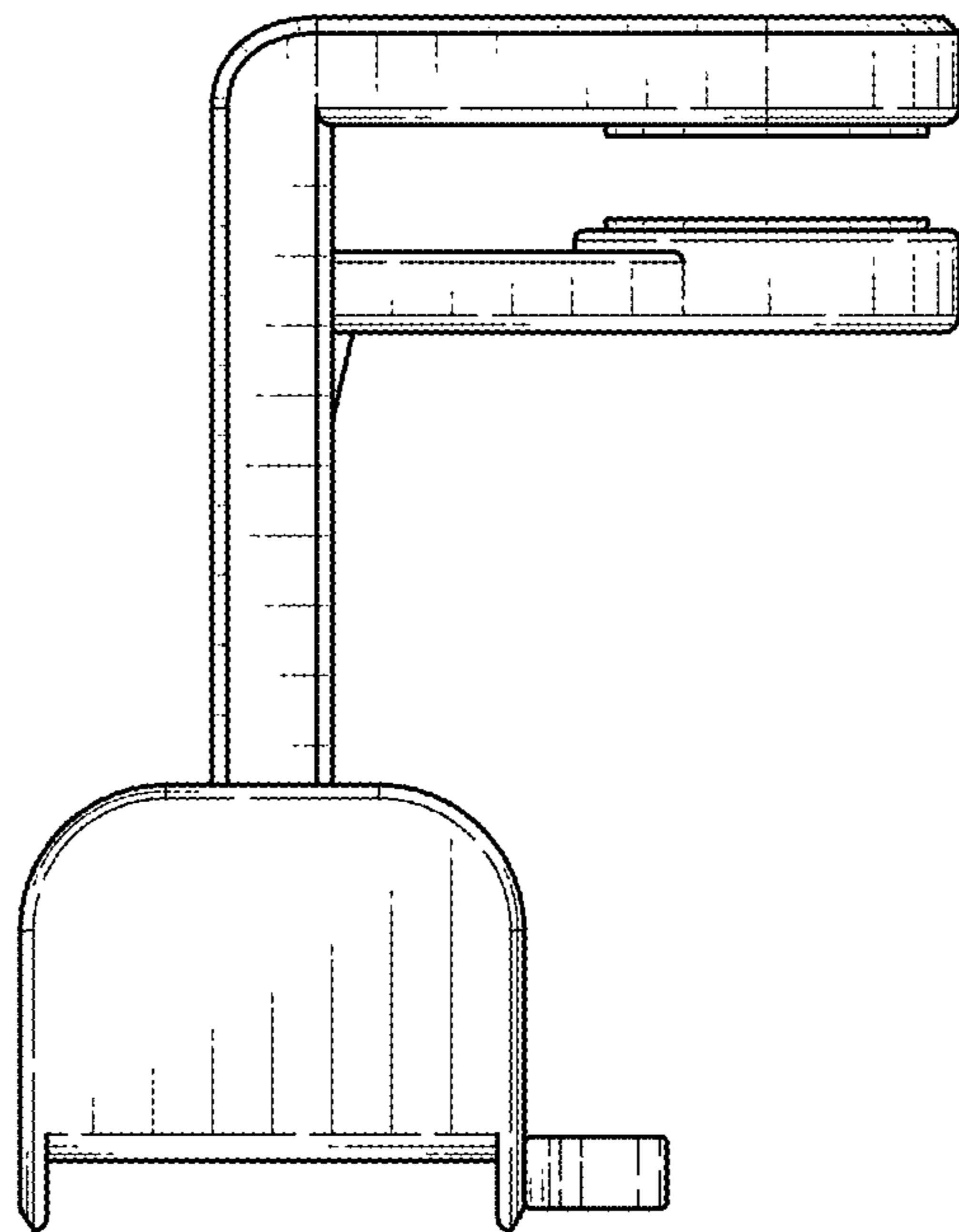


FIG. 10

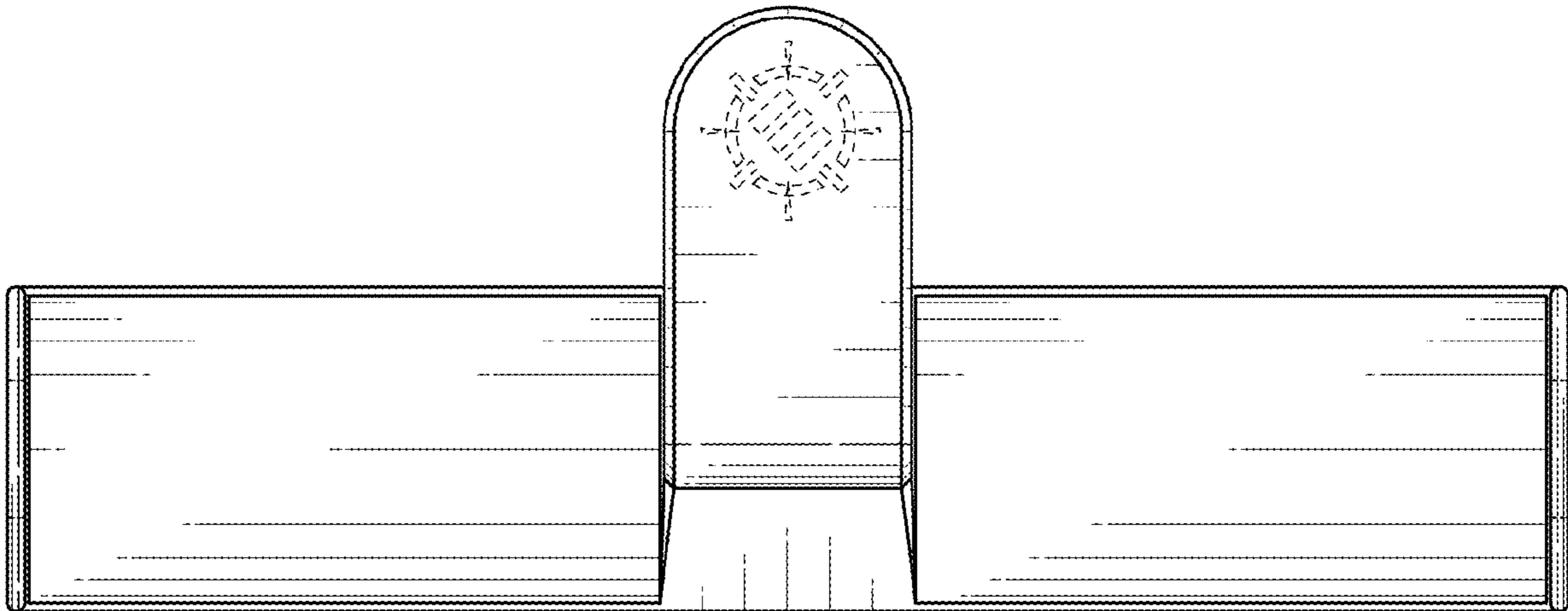


FIG. 11

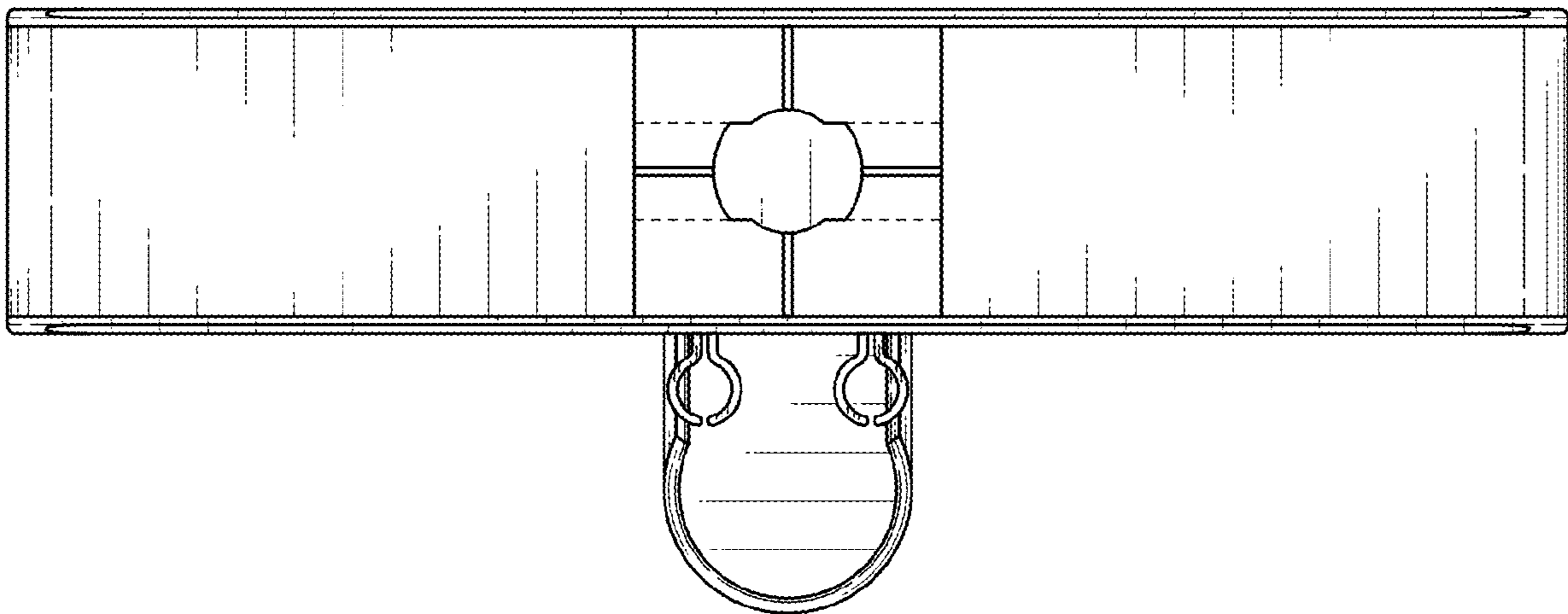


FIG. 12

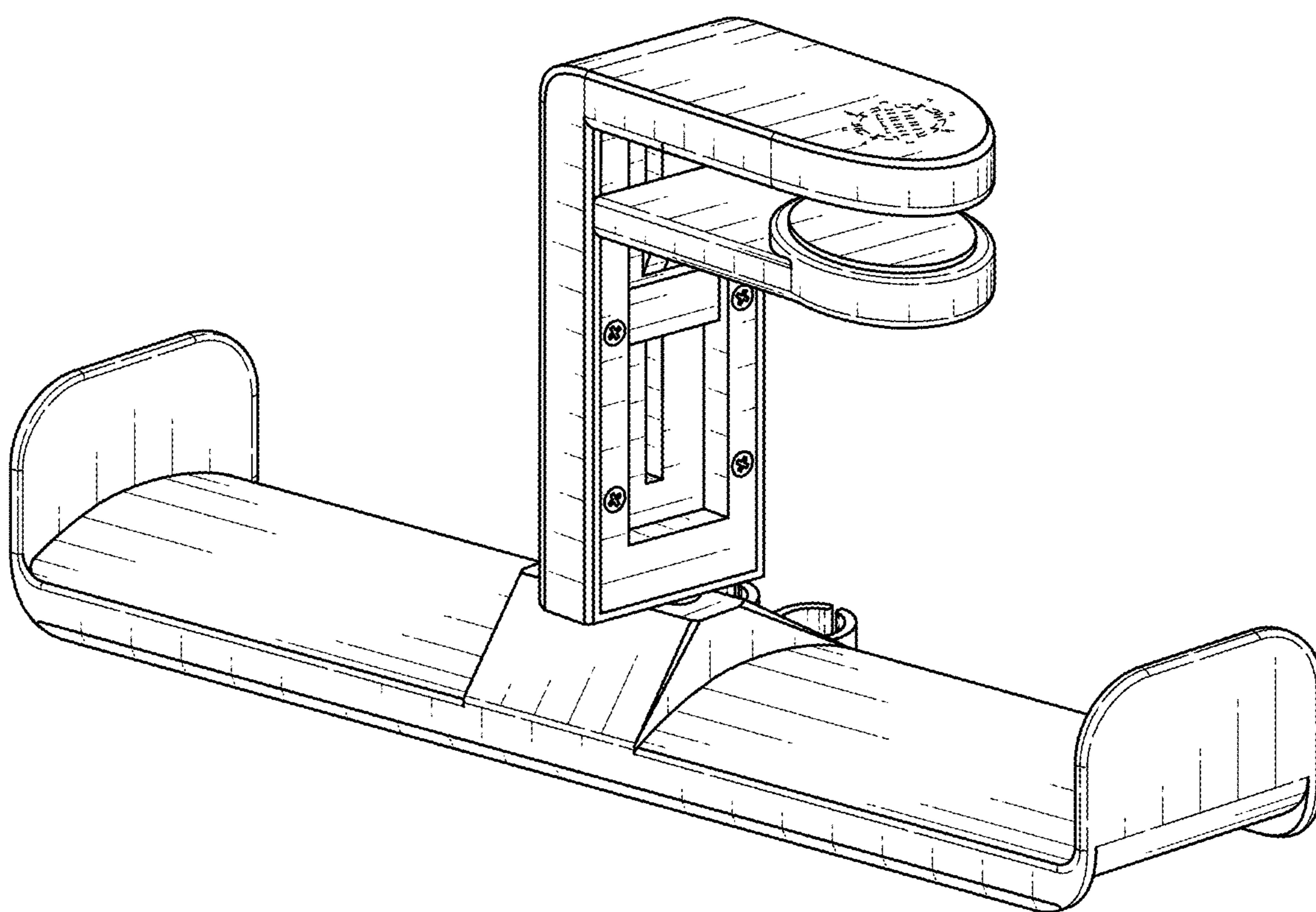


FIG. 13

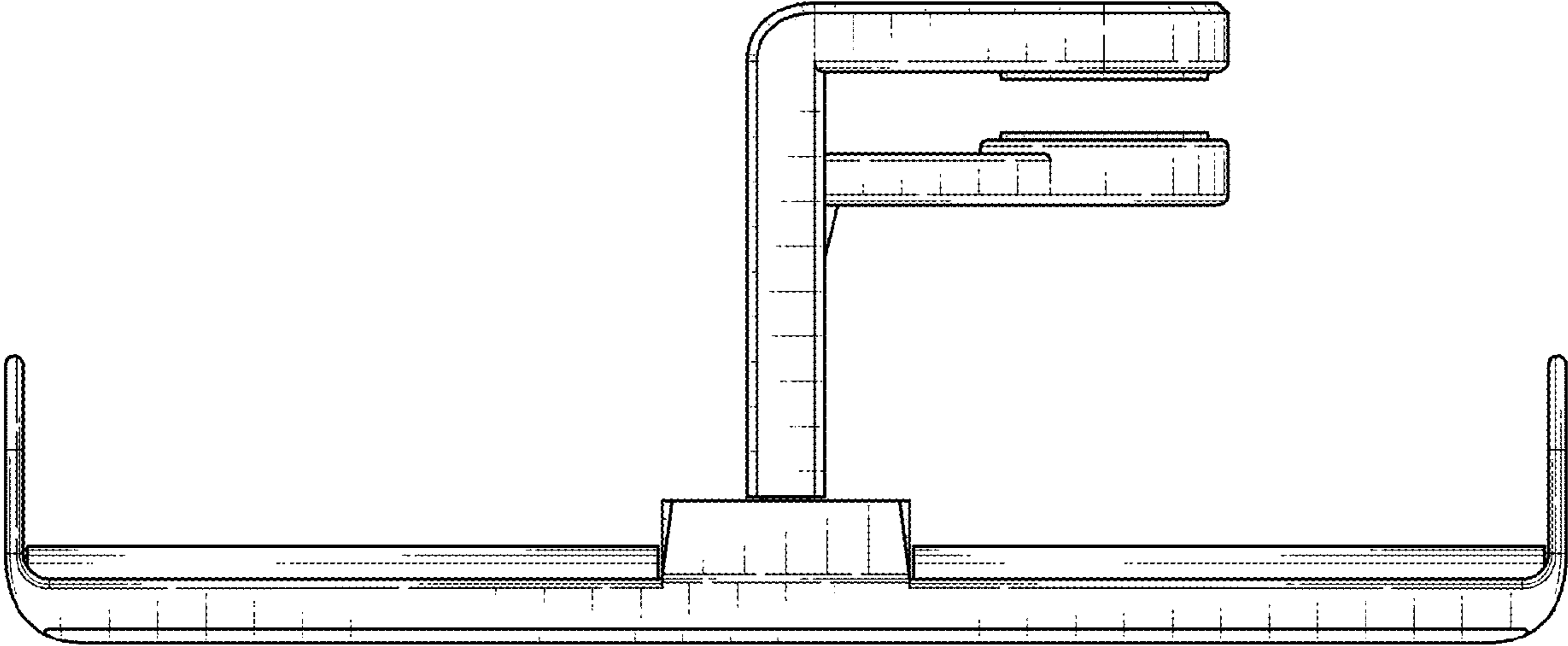


FIG. 14