



US00D965568S

(12) **United States Design Patent**
Hong

(10) **Patent No.:** **US D965,568 S**

(45) **Date of Patent:** **** Oct. 4, 2022**

(54) **BLUETOOTH EARPHONE**

(71) Applicant: **Shenzhen Beitime Technology Co., Ltd, Shenzhen (CN)**

(72) Inventor: **Shuxian Hong, Shantou (CN)**

(73) Assignee: **Shenzhen Beitime Technology Co., Ltd, Shenzhen (CN)**

(**) Term: **15 Years**

(21) Appl. No.: **29/835,640**

(22) Filed: **Apr. 20, 2022**

(51) **LOC (13) Cl.** **14-01**

(52) **U.S. Cl.**
USPC **D14/223**

(58) **Field of Classification Search**
USPC D14/204-206, 223; D13/108
CPC .. H04R 1/1083; H04R 1/1041; H04R 1/1016;
H04R 5/0335; H02J 7/0044
See application file for complete search history.

(56) **References Cited**

U.S. PATENT DOCUMENTS

D542,267 S	*	5/2007	Cha	D14/206
D574,367 S	*	8/2008	Jaakkola	D14/223
D625,297 S	*	10/2010	Tseng	D14/223
D647,513 S	*	10/2011	Ha	D14/223
D650,369 S	*	12/2011	Park	D14/223
D761,770 S	*	7/2016	Kanou	D14/206
D821,364 S	*	6/2018	Brunner	D14/223
D834,003 S		11/2018	Maeda		
D853,360 S		7/2019	Kawabata		
D883,259 S	*	5/2020	Ma	D14/206
D885,370 S	*	5/2020	Hu	D14/223
D886,804 S	*	6/2020	Cho	D14/206
D888,022 S	*	6/2020	McCune	D14/223
D890,137 S	*	7/2020	Ma	D14/223
D897,320 S	*	9/2020	Boyd	D14/223
D907,608 S	*	1/2021	Xie	D14/223
D915,356 S	*	4/2021	Gao	D14/223

D915,357 S	*	4/2021	Gao	D14/223
D916,055 S	*	4/2021	Xiao	D14/223
D916,056 S	*	4/2021	Boyd	D14/223
D918,180 S	*	5/2021	Bailey	D14/223
D919,595 S	*	5/2021	Ott	D14/223
D926,152 S	*	7/2021	Yan	D14/206

(Continued)

FOREIGN PATENT DOCUMENTS

EM 008862395-0001 * 2/2022

OTHER PUBLICATIONS

AVAZI Bluetooth headphones, cusomter reviews 2019, site visited Jul. 11, 2022, https://www.amazon.com/AVAZI-Headphones-Waterproof-HD-Sweatproof/dp/B07JFPX1GJ/ref=sr_1_240...*

Primary Examiner — John R Yeh

(74) *Attorney, Agent, or Firm* — Jeenam Park

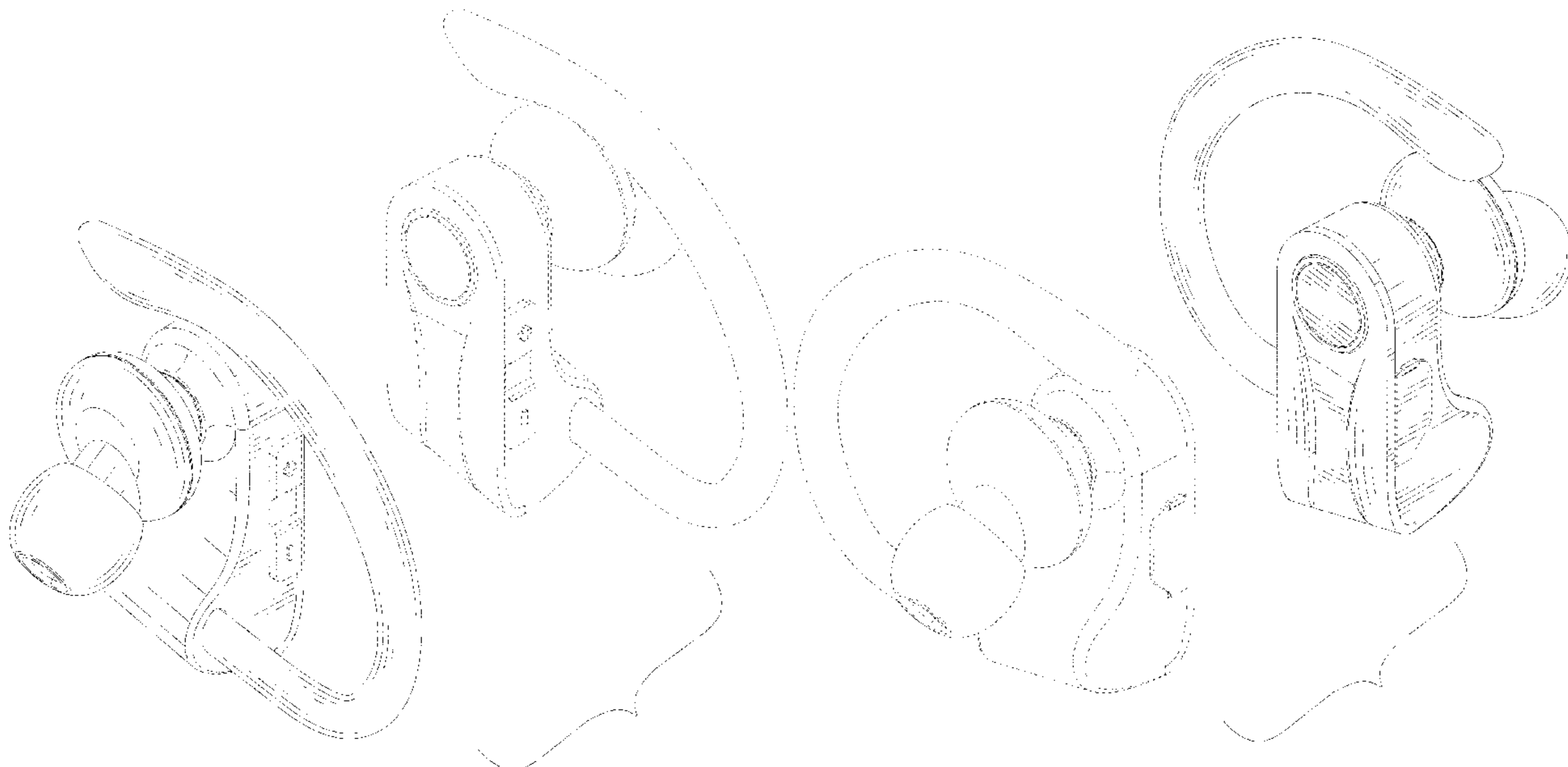
(57) **CLAIM**

The ornamental design for a Bluetooth earphone, as shown and described.

DESCRIPTION

FIG. 1 is a top, front, left side perspective view of a Bluetooth earphone showing my new design in an environment of use;
FIG. 2 is a top, rear, right side perspective view thereof;
FIG. 3 is a rear view of the Bluetooth earphone without environment;
FIG. 4 is a front view thereof;
FIG. 5 is a right side view thereof;
FIG. 6 is a left side view thereof;
FIG. 7 is a top view thereof; and,
FIG. 8 is a bottom view thereof.
The broken lines in the figures illustrate environment and portions of the Bluetooth earphone that form no part of the claimed design.

1 Claim, 8 Drawing Sheets



(56)

References Cited

U.S. PATENT DOCUMENTS

D941,806 S * 1/2022 Liu D14/223
2016/0100237 A1* 4/2016 Blouse H04R 1/105
381/378

* cited by examiner

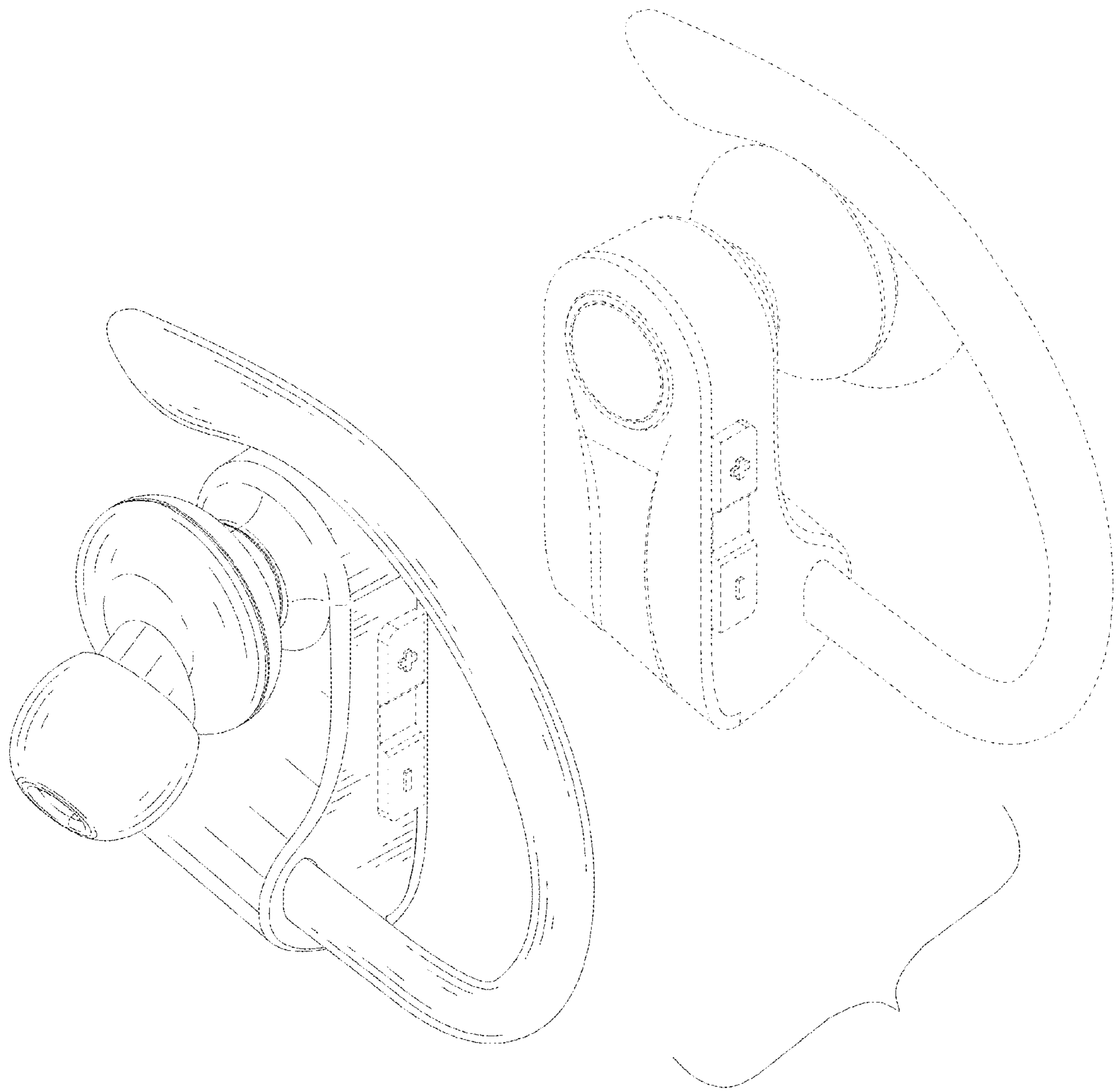


FIG. 1



FIG. 2

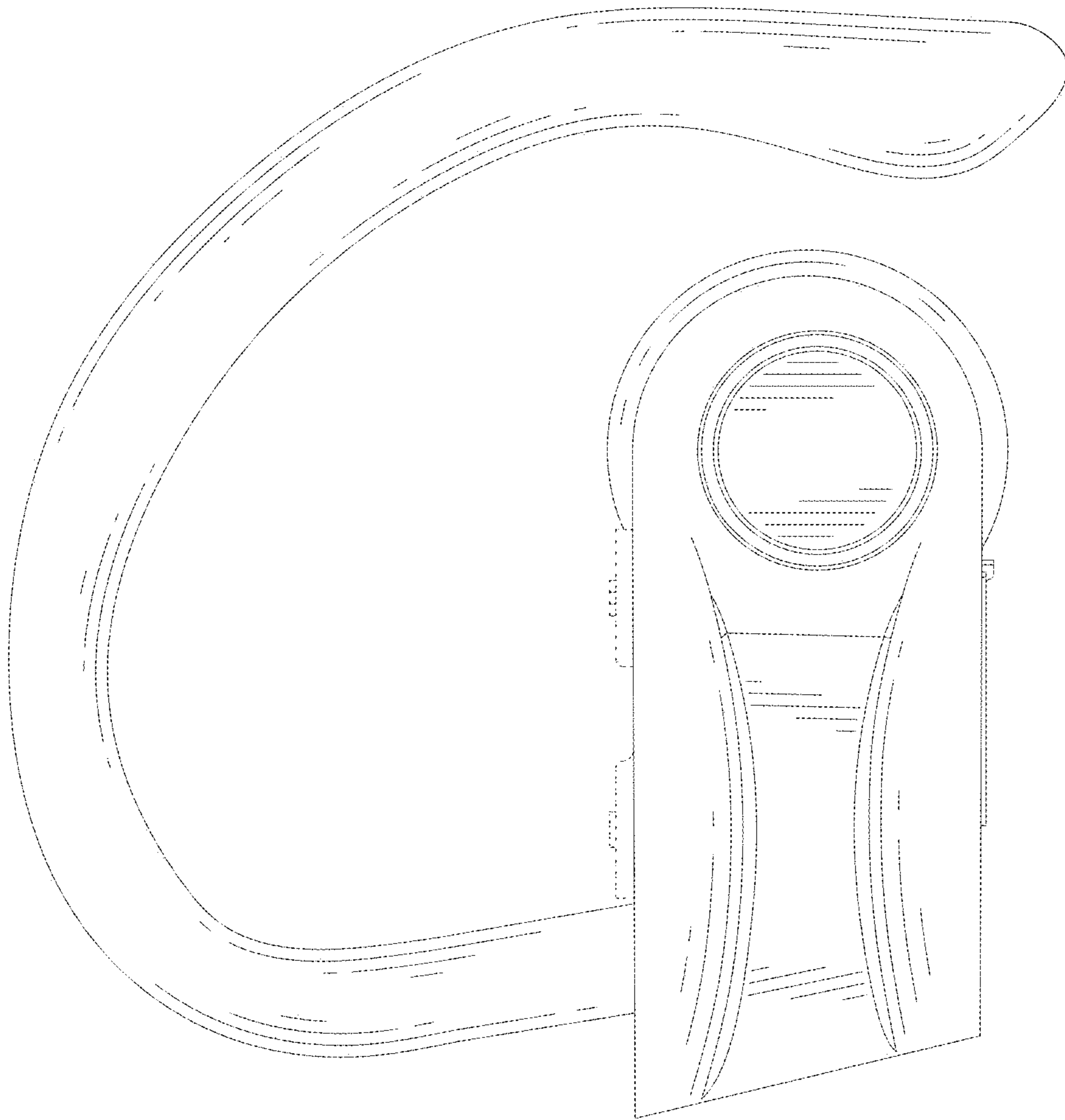


FIG. 3

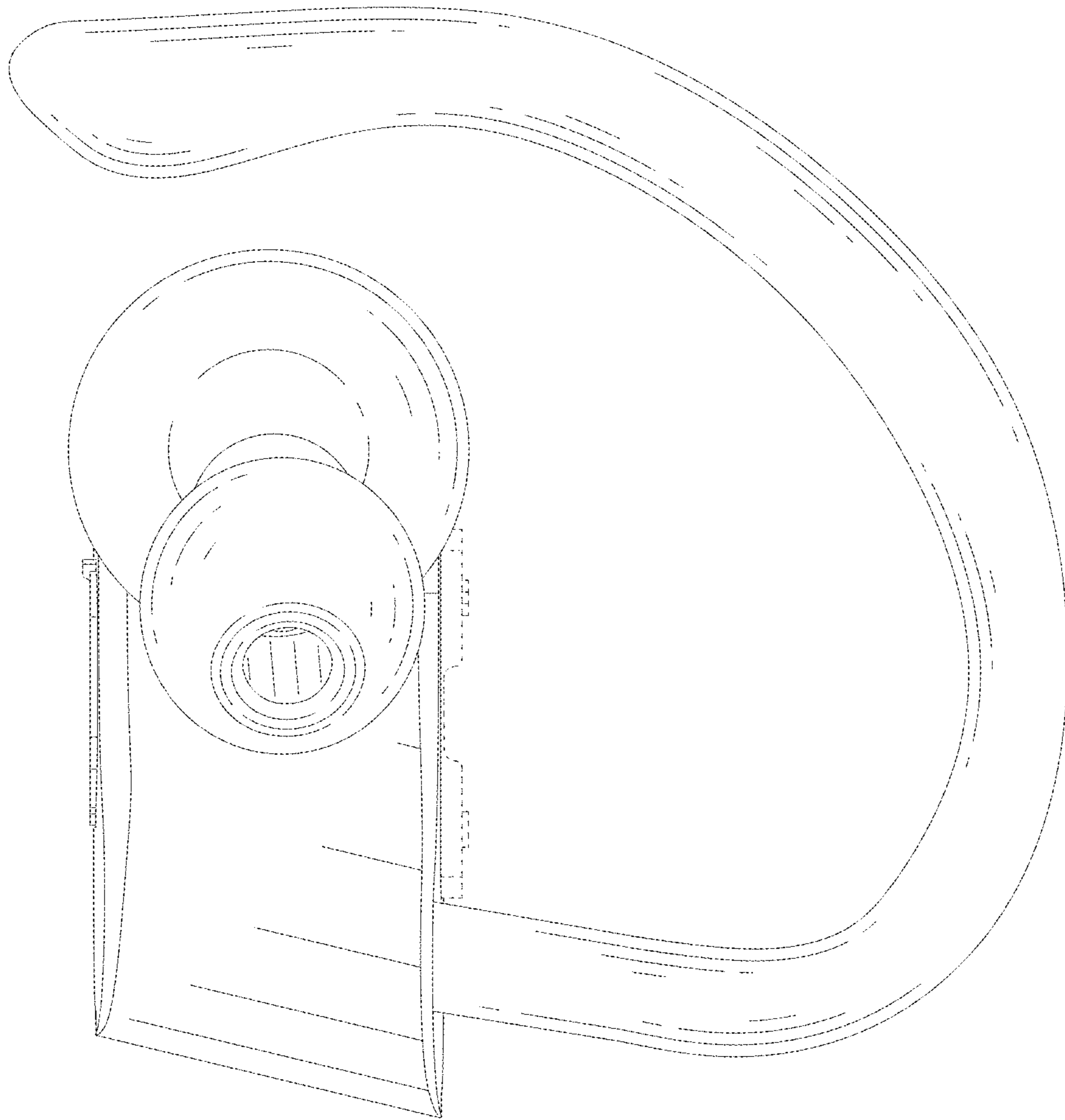


FIG. 4

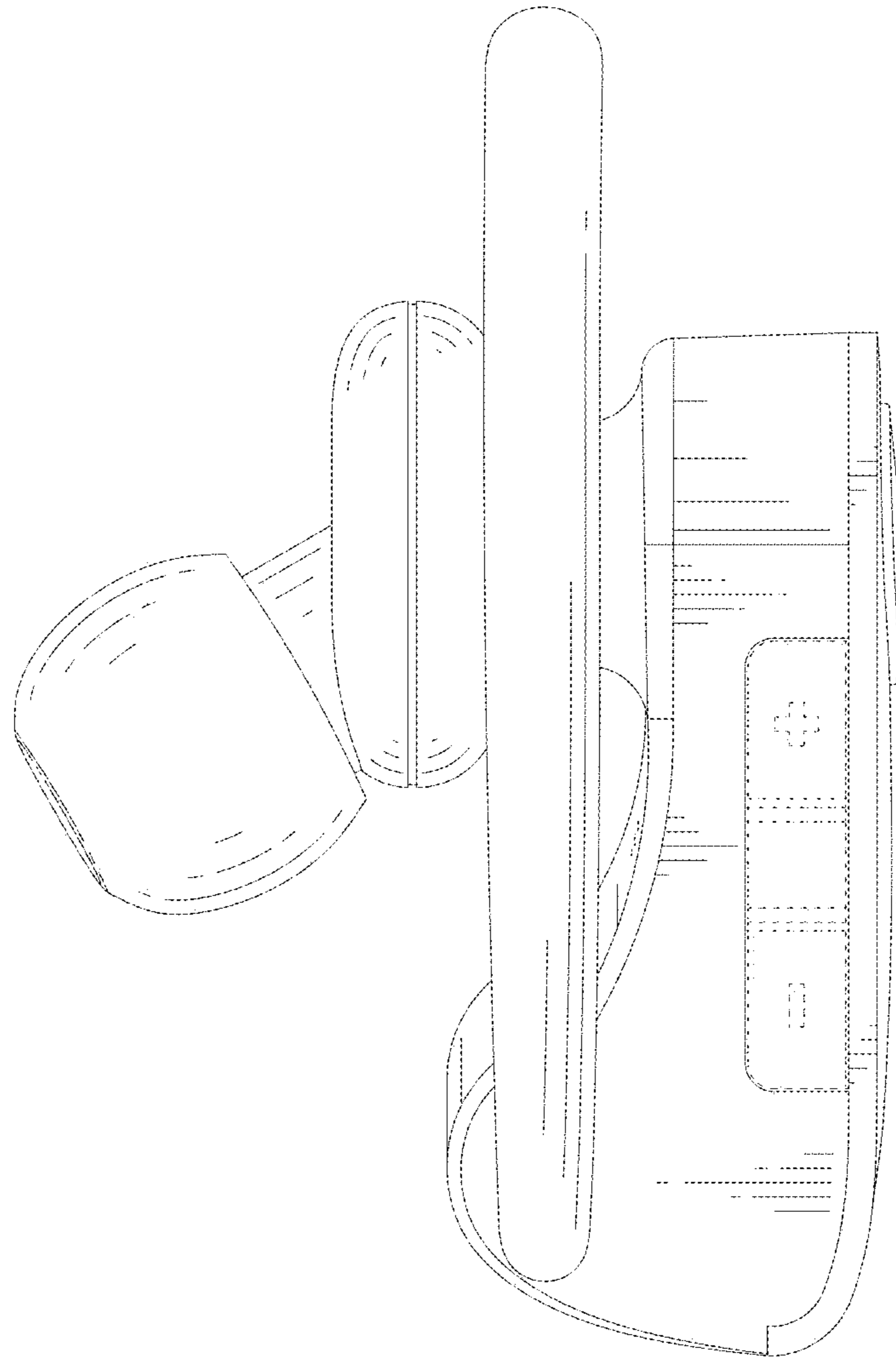


FIG. 5

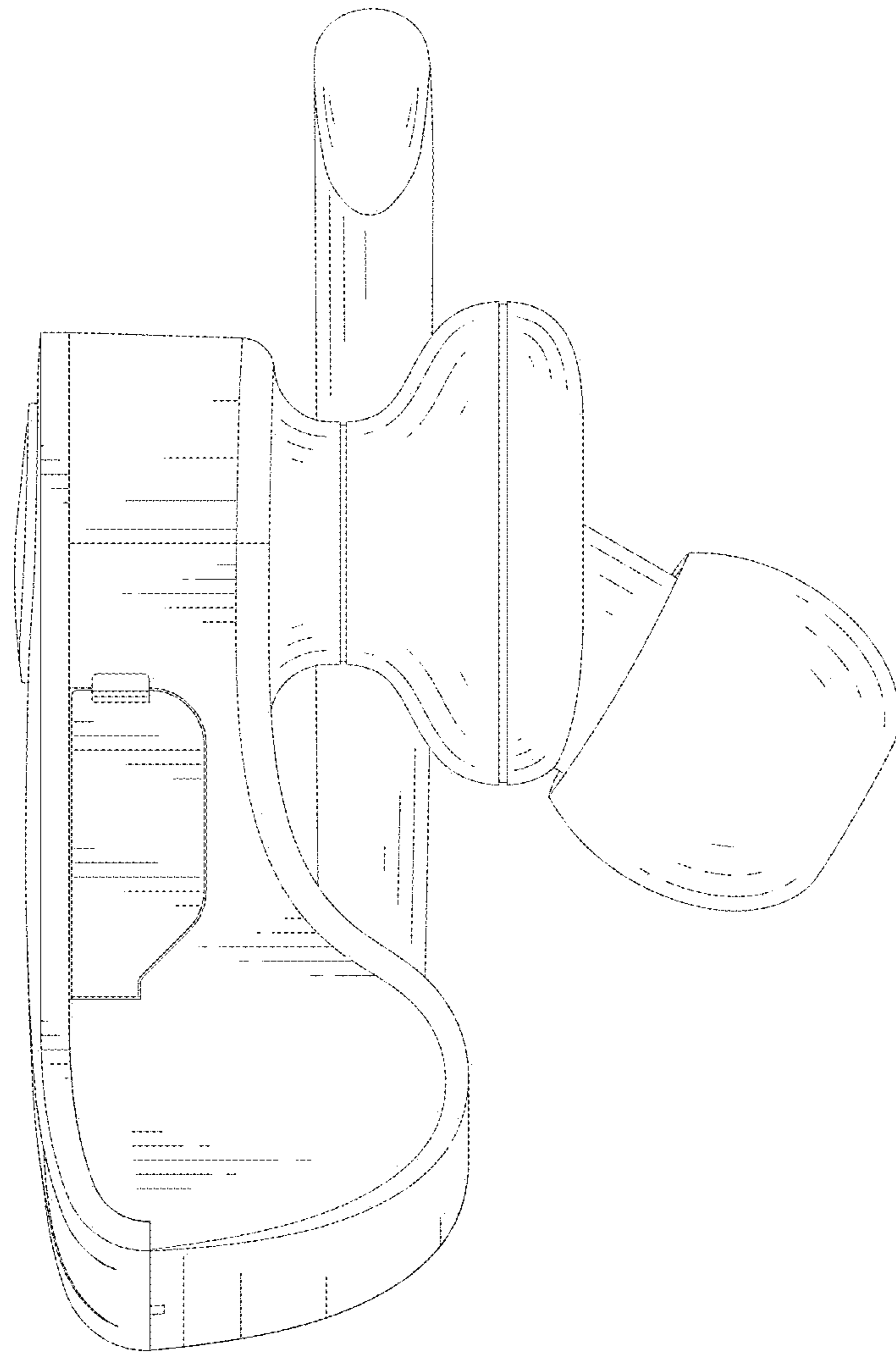


FIG. 6

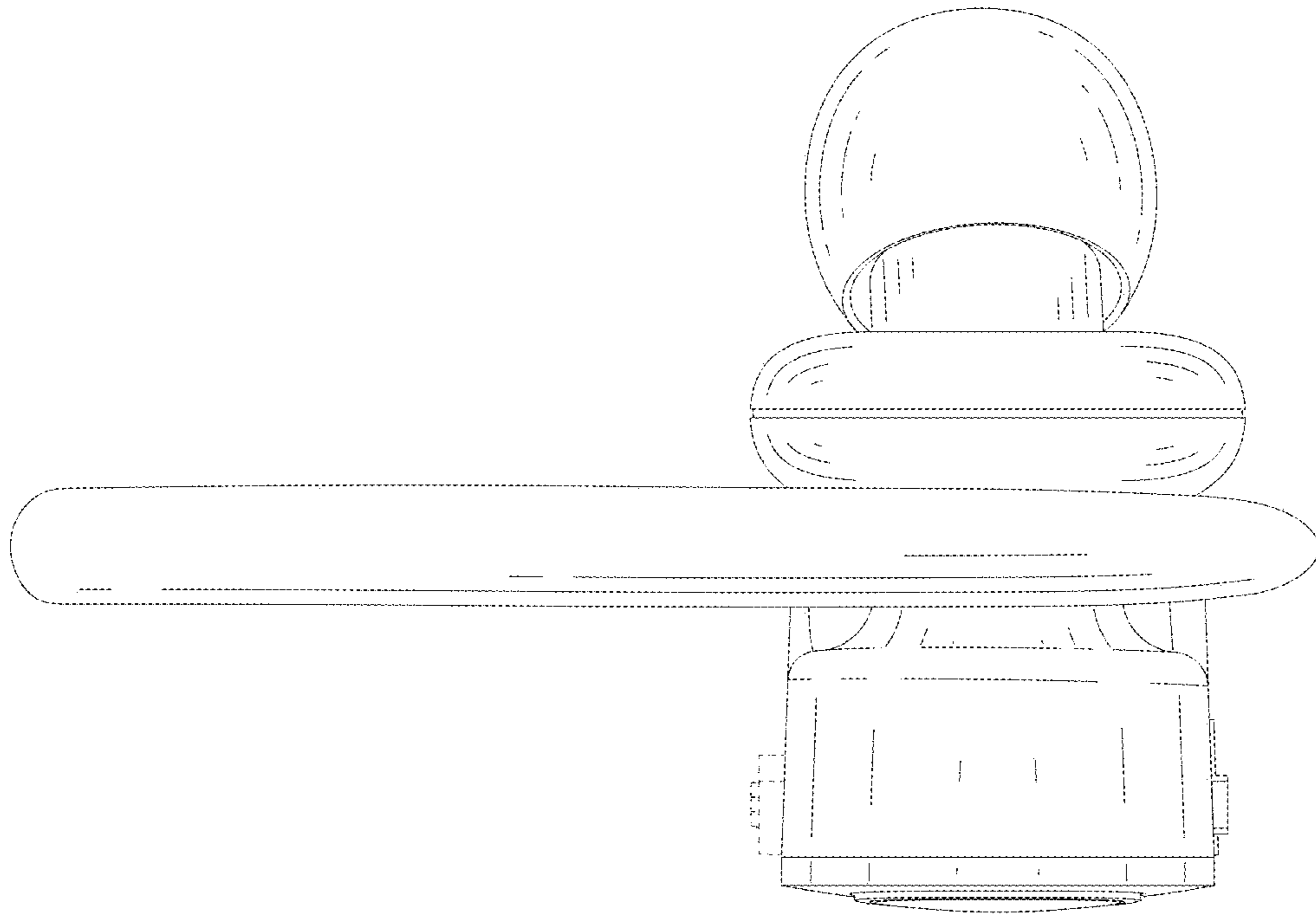


FIG. 7

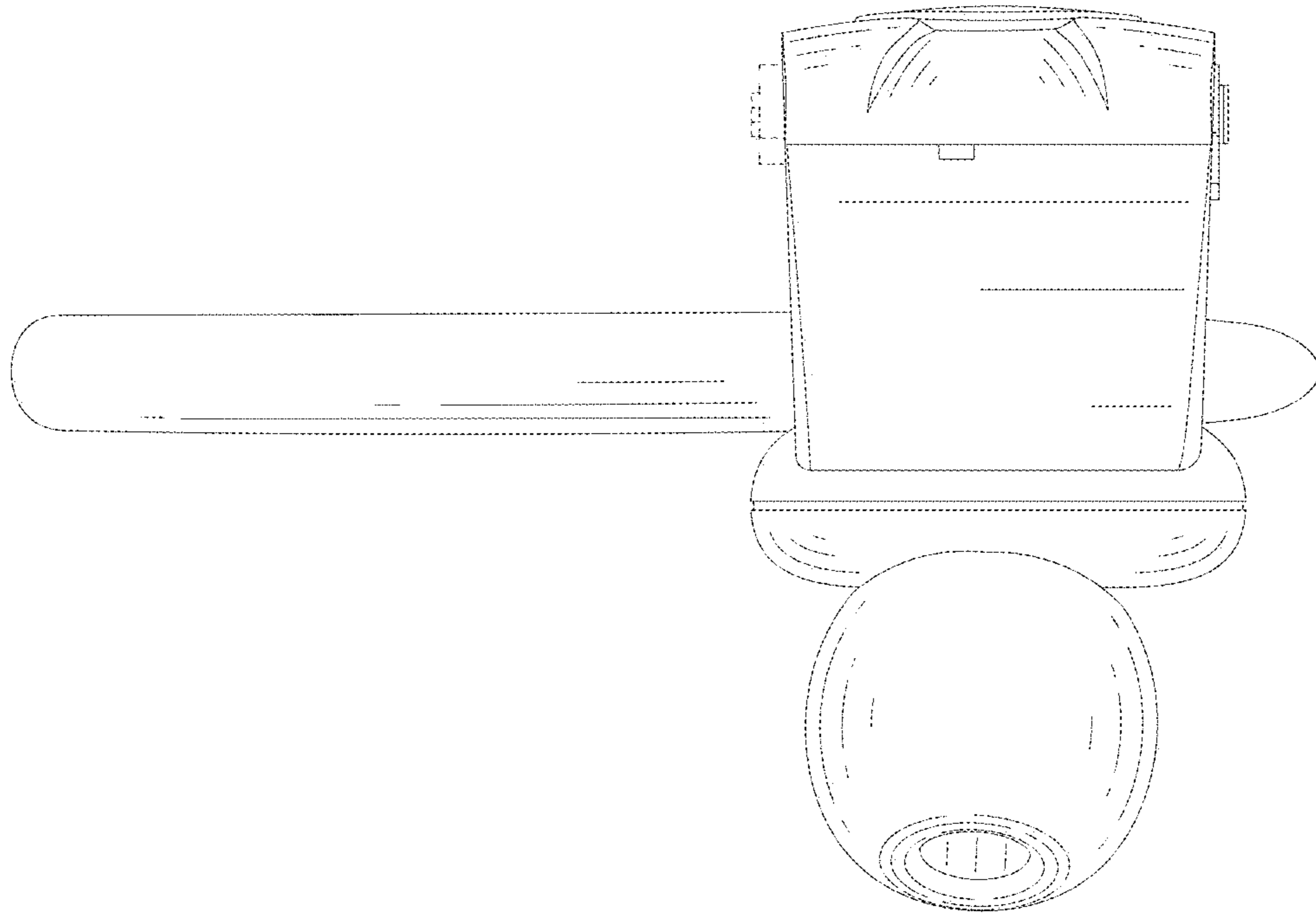


FIG. 8