



US00D965564S

(12) **United States Design Patent**
Vaerum et al.

(10) **Patent No.:** **US D965,564 S**
(45) **Date of Patent:** **** Oct. 4, 2022**

(54) **HEADSET**
(71) Applicant: **EPOS Group A/S**, Ballerup (DK)
(72) Inventors: **Peter Vestergaard Vaerum**, Ballerup (DK); **Giovanni Ferranti**, Ballerup (DK); **Kristian Laegdsgaard**, Ballerup (DK)
(73) Assignee: **EPOS GROUP A/S**, Ballerup (DK)

6,493,453 B1 * 12/2002 Glendon H04R 23/008
381/328
7,010,137 B1 * 3/2006 Leedom H04R 25/456
381/328
7,092,543 B1 * 8/2006 Mahoney H04R 25/65
381/328
7,113,611 B2 * 9/2006 Leedom H04R 25/652
381/328
8,406,448 B2 * 3/2013 Lin H04R 1/1091
381/370
8,776,801 B2 * 7/2014 McIntosh H04R 1/1083
181/135

(**) Term: **15 Years**

(Continued)

(21) Appl. No.: **29/764,692**

FOREIGN PATENT DOCUMENTS

(22) Filed: **Dec. 31, 2020**

EM 007735212-0001 * 3/2020
EM 007956149-0002 * 5/2020

(30) **Foreign Application Priority Data**

(Continued)

Jul. 3, 2020 (EM) 008029565-0001
Jul. 3, 2020 (EM) 008029565-0002

Primary Examiner — Paula Allen Greene
(74) *Attorney, Agent, or Firm* — Birch, Stewart, Kolasch & Birch, LLP

(51) **LOC (13) Cl.** **14-01**

(52) **U.S. Cl.**
USPC **D14/223**

(57) **CLAIM**

(58) **Field of Classification Search**
USPC D14/223, 205; D24/174; 128/864–866;
381/380, 381, 322, 328; 455/90.3, 575.1,
455/569.1
CPC H04R 1/10; H04R 25/00; H04R 25/02;
H04R 1/1066; H04R 1/1016; H04R
5/033; H04R 5/0335; H04R 1/1091
See application file for complete search history.

The ornamental design for a headset, as shown and described.

DESCRIPTION

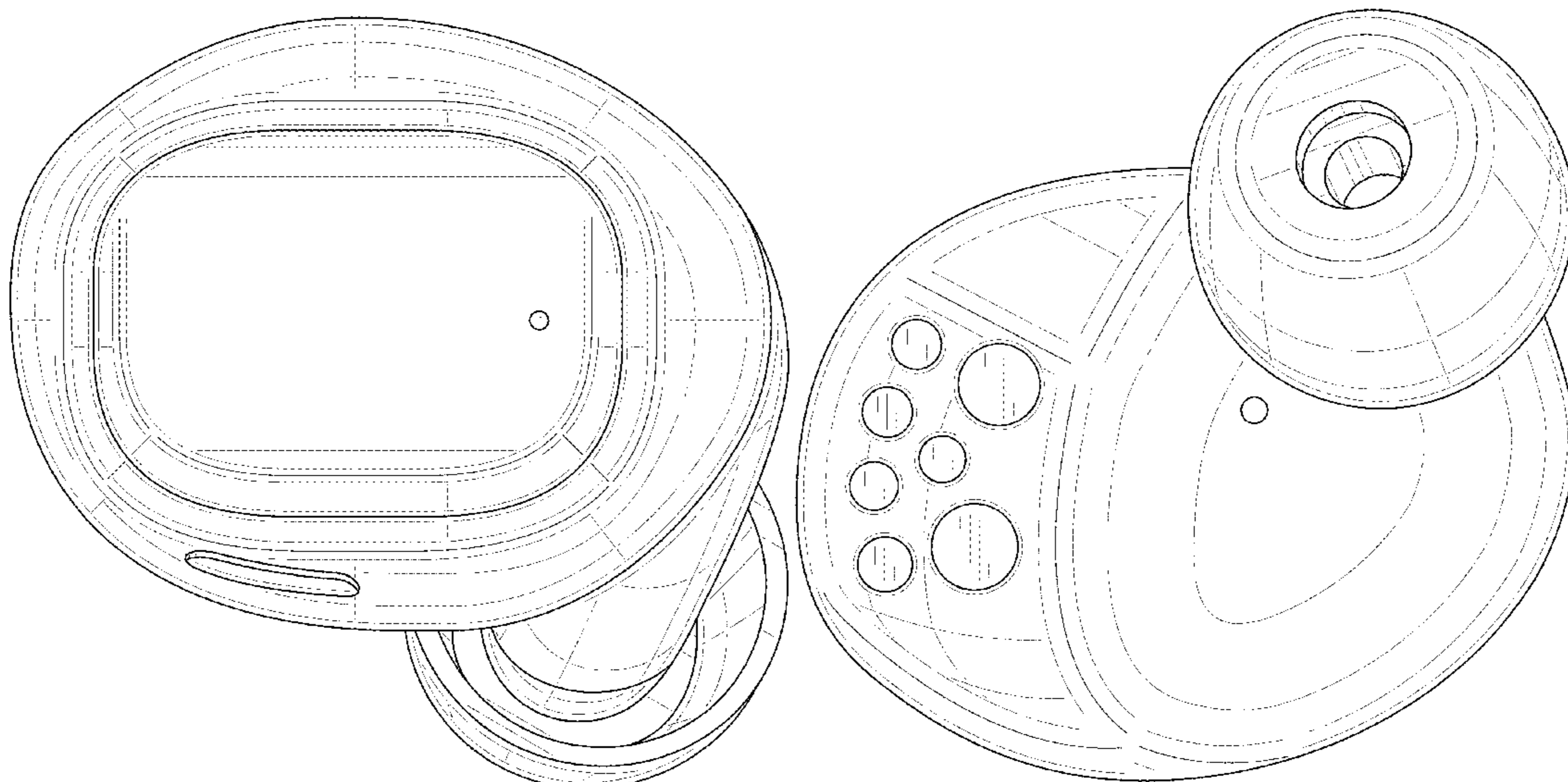
(56) **References Cited**

U.S. PATENT DOCUMENTS

5,654,530 A * 8/1997 Sauer H04R 25/652
181/135
5,812,680 A * 9/1998 Glendon H04R 25/65
381/328
5,828,757 A * 10/1998 Michalsen H04R 25/502
381/328

FIG. 1 is a front view of the headset;
FIG. 2 is a rear view thereof;
FIG. 3 is a top view thereof;
FIG. 4 is a bottom view thereof;
FIG. 5 is a left side view thereof;
FIG. 6 is a right side view thereof;
FIG. 7 is a front view thereof;
FIG. 8 is a rear view thereof;
FIG. 9 is a top view thereof;
FIG. 10 is a bottom view thereof;
FIG. 11 is a left side view thereof; and,
FIG. 12 is a right side view thereof.

1 Claim, 12 Drawing Sheets



(56)

References Cited

U.S. PATENT DOCUMENTS

D729,775 S * 5/2015 Seo D14/223
 D737,251 S * 8/2015 Thompson D14/223
 D740,786 S * 10/2015 Huang D14/205
 D746,445 S * 12/2015 Lazarus D24/127
 D746,792 S * 1/2016 Kim D14/223
 D764,445 S * 8/2016 Czaniecki D14/223
 D767,532 S * 9/2016 Jen D14/205
 D773,439 S * 12/2016 Walker D14/223
 D777,710 S * 1/2017 Palmborg D14/223
 D781,269 S * 3/2017 Choe D14/223
 D782,442 S * 3/2017 Chen D14/205
 D782,998 S * 4/2017 Shin D14/205
 D788,079 S * 5/2017 Son D14/223
 D789,909 S * 6/2017 Hung D14/223
 D794,614 S * 8/2017 Xu D14/223
 D795,224 S * 8/2017 Valenzuela D14/223
 D795,225 S * 8/2017 Sumii D14/223
 D806,879 S * 1/2018 Horbinski D24/174
 D810,054 S * 2/2018 Yuan D14/223
 D812,042 S * 3/2018 Xiao D14/223
 D826,211 S * 8/2018 Kim D14/206
 D842,844 S * 3/2019 Li D14/223
 D848,979 S * 5/2019 Kim D14/223
 D851,072 S * 6/2019 McNamara D14/223
 D852,171 S * 6/2019 Cai D14/223

D852,782 S * 7/2019 Bergman D14/223
 D855,589 S * 8/2019 Madsen D14/223
 D889,405 S * 7/2020 McCool D13/110
 D889,441 S * 7/2020 Lin D14/223
 10,827,249 B1 * 11/2020 Pine H04R 1/1041
 D915,358 S * 4/2021 Ma D14/223
 D917,428 S * 4/2021 Khoi D14/223
 D924,849 S * 7/2021 Yang D14/223
 D928,742 S * 8/2021 Liu D14/223
 D929,970 S * 9/2021 Lin D14/223
 D936,638 S * 11/2021 Lefebure D14/223
 D938,941 S * 12/2021 Iwahori D14/223
 D939,478 S * 12/2021 Wu D14/223
 D939,479 S * 12/2021 Wang D14/223
 D945,405 S * 3/2022 Rose D14/223
 2013/0259286 A1 * 10/2013 Chung H04R 1/1016
 381/380
 2020/0374632 A1 * 11/2020 Wang H04M 1/6066
 2021/0298657 A1 * 9/2021 Won A61B 5/6815

FOREIGN PATENT DOCUMENTS

EM 008129456-0001 * 8/2020
 EM 008277826-0001 * 11/2020
 EM 008324495-0001 * 12/2020
 EM 008662530-0002 * 8/2021
 EM 008750756-0001 * 11/2021

* cited by examiner

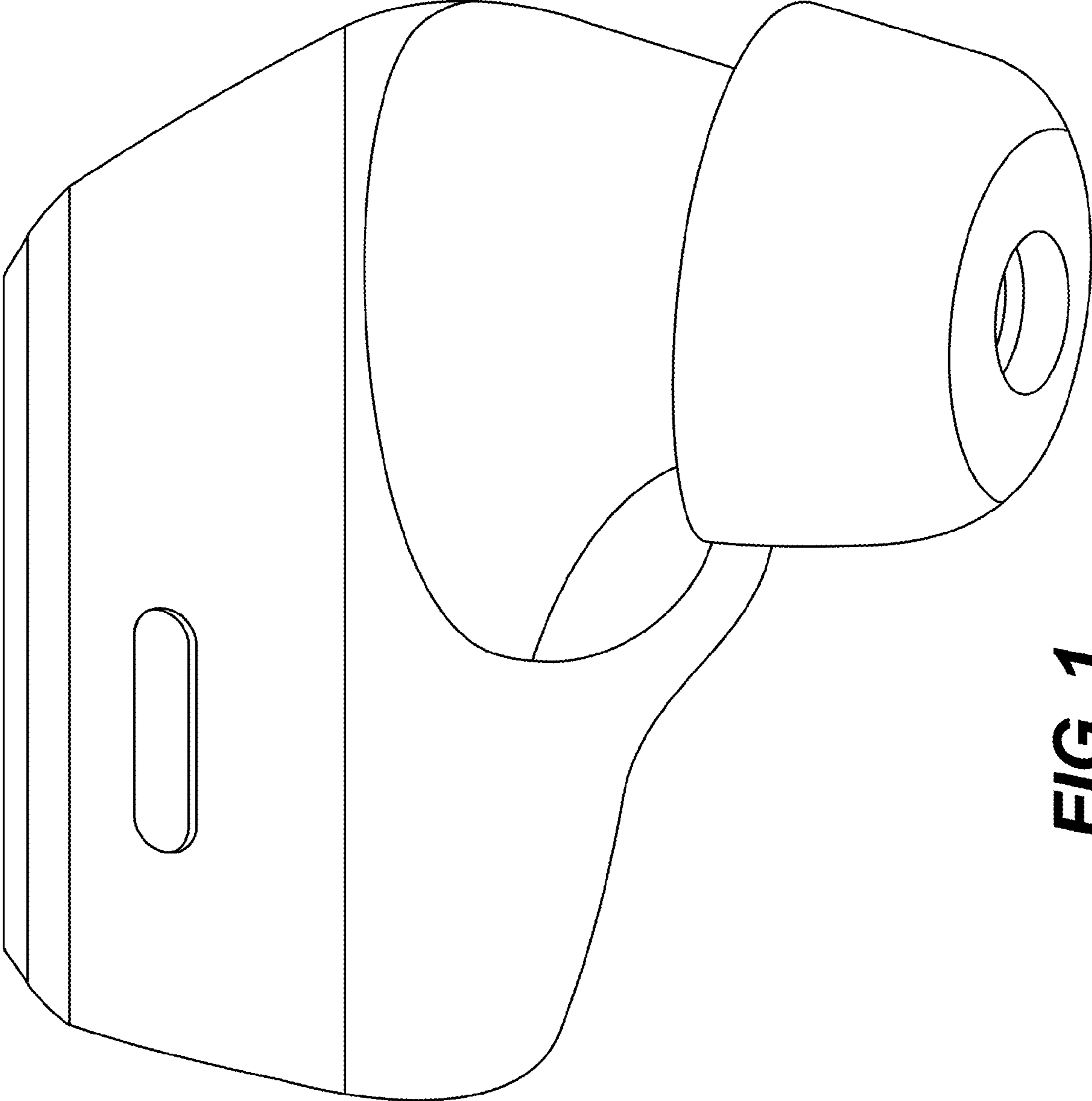


FIG. 1

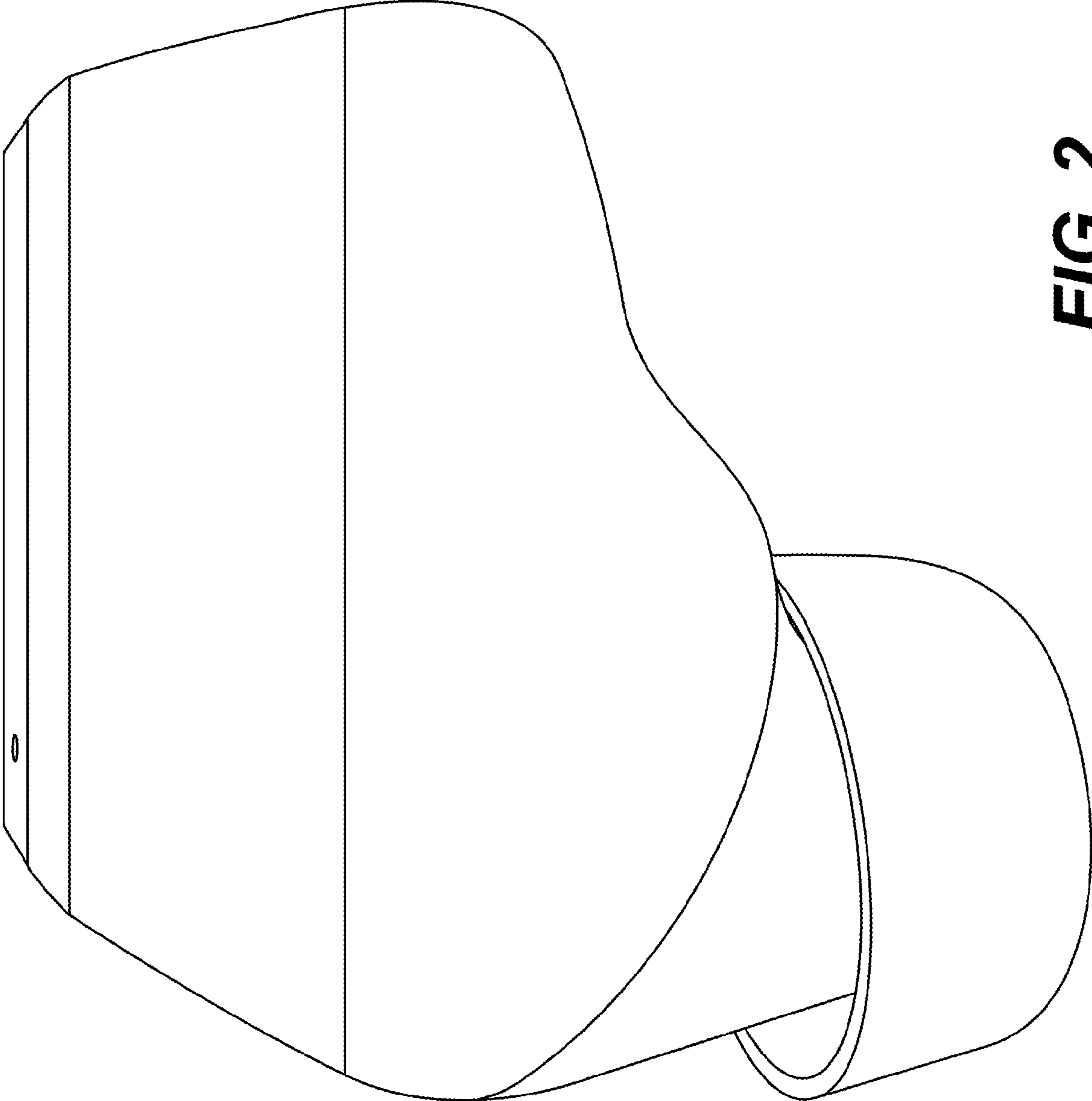


FIG. 2

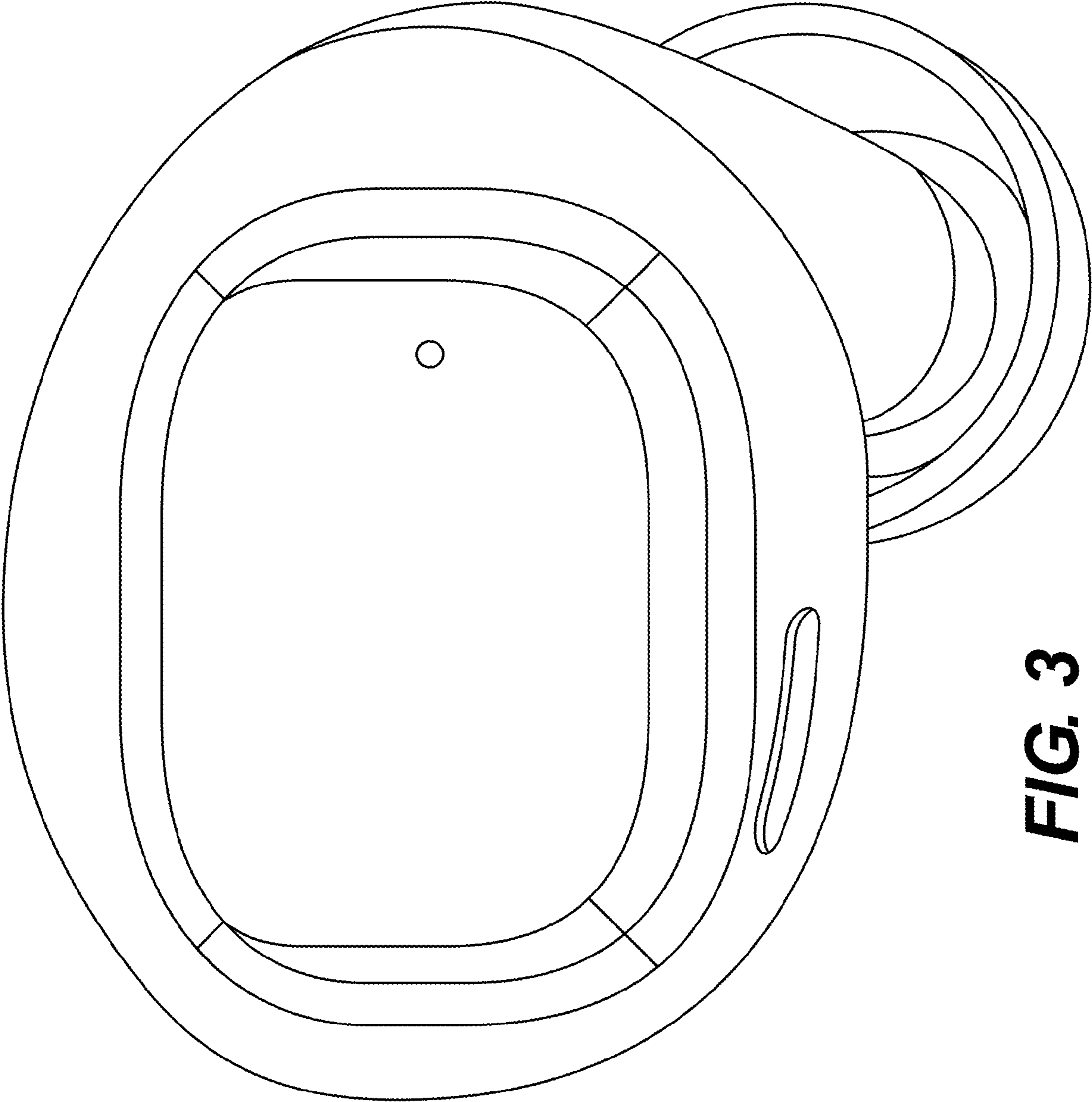


FIG. 3

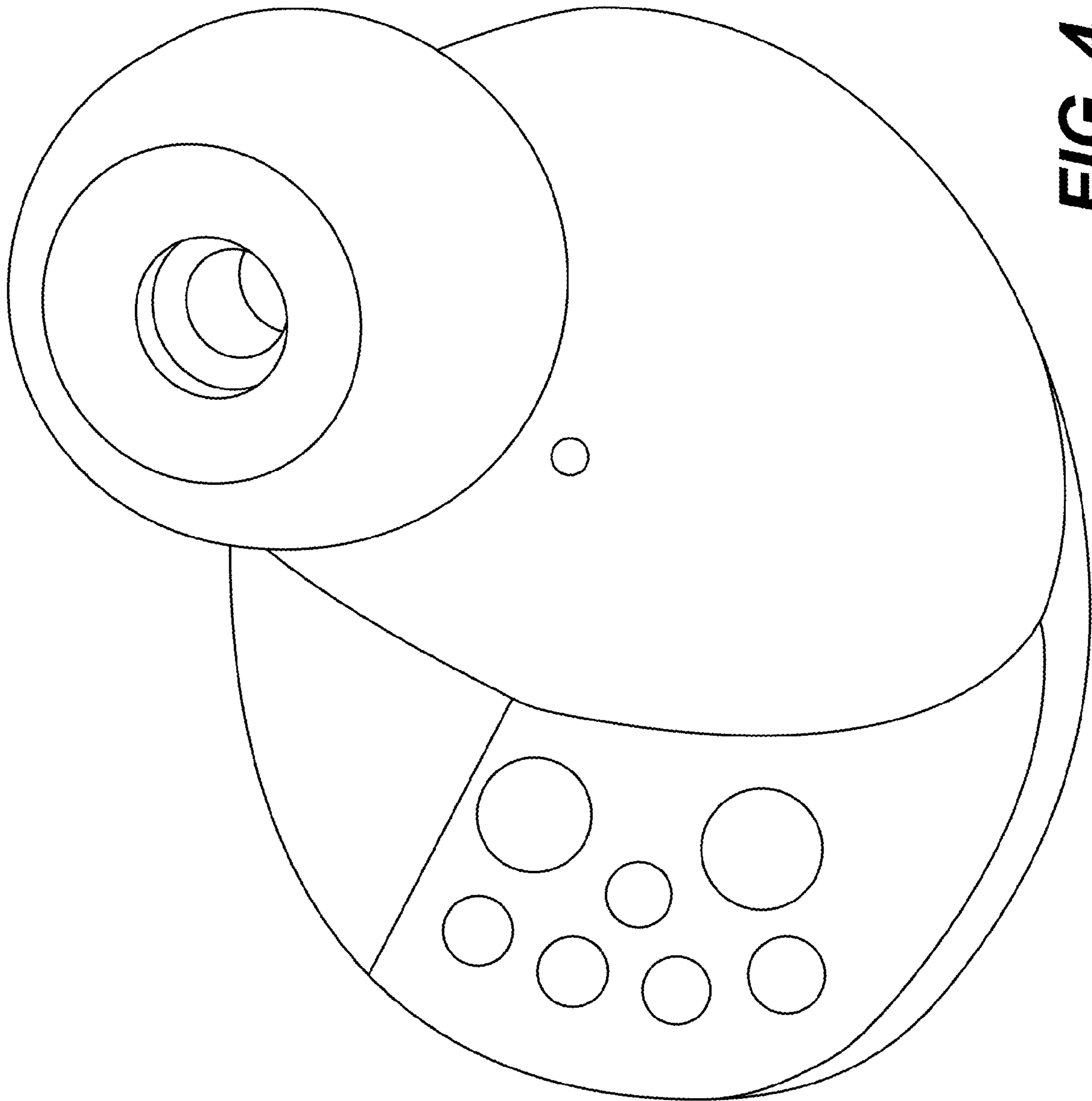


FIG. 4

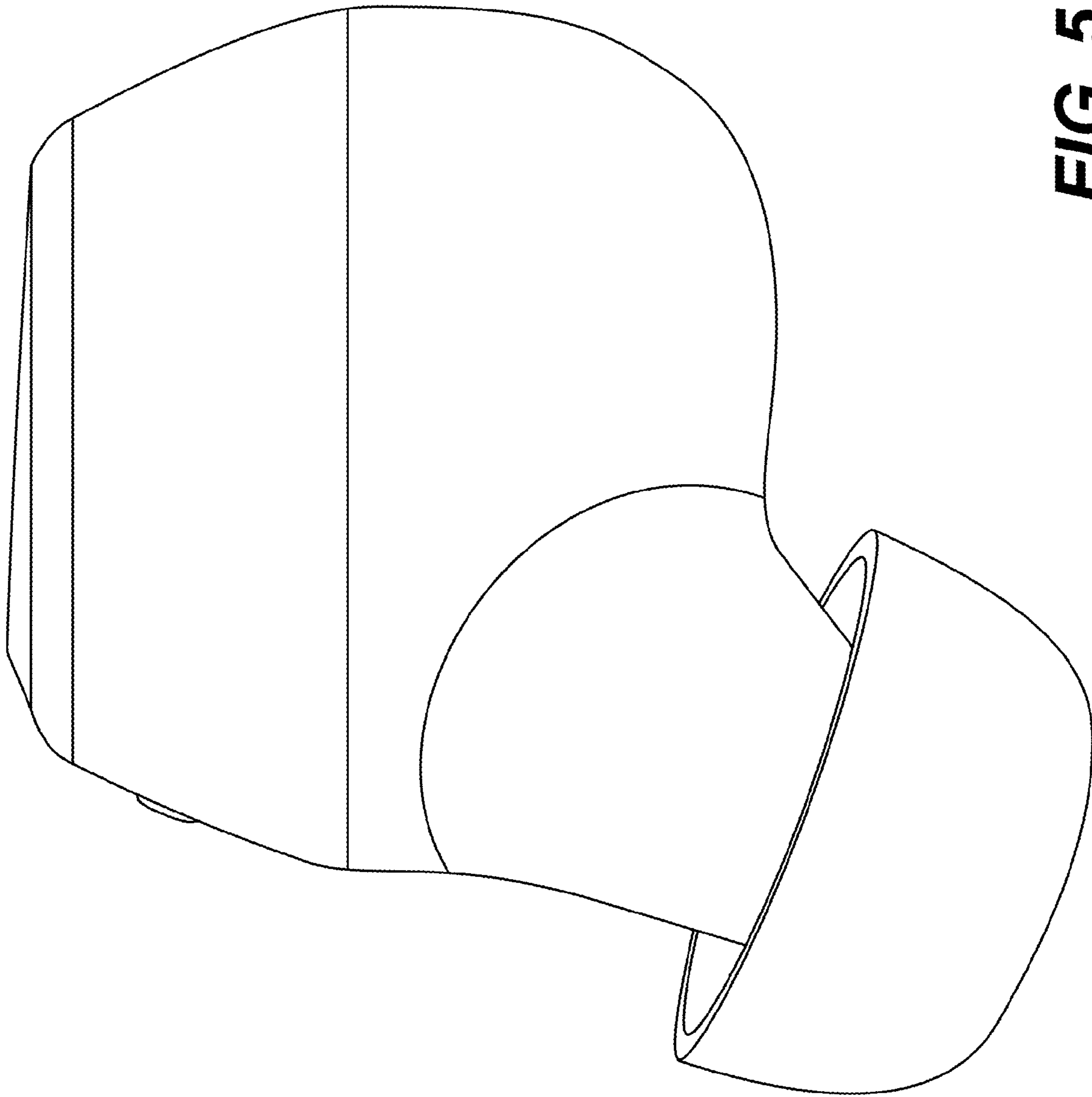


FIG. 5

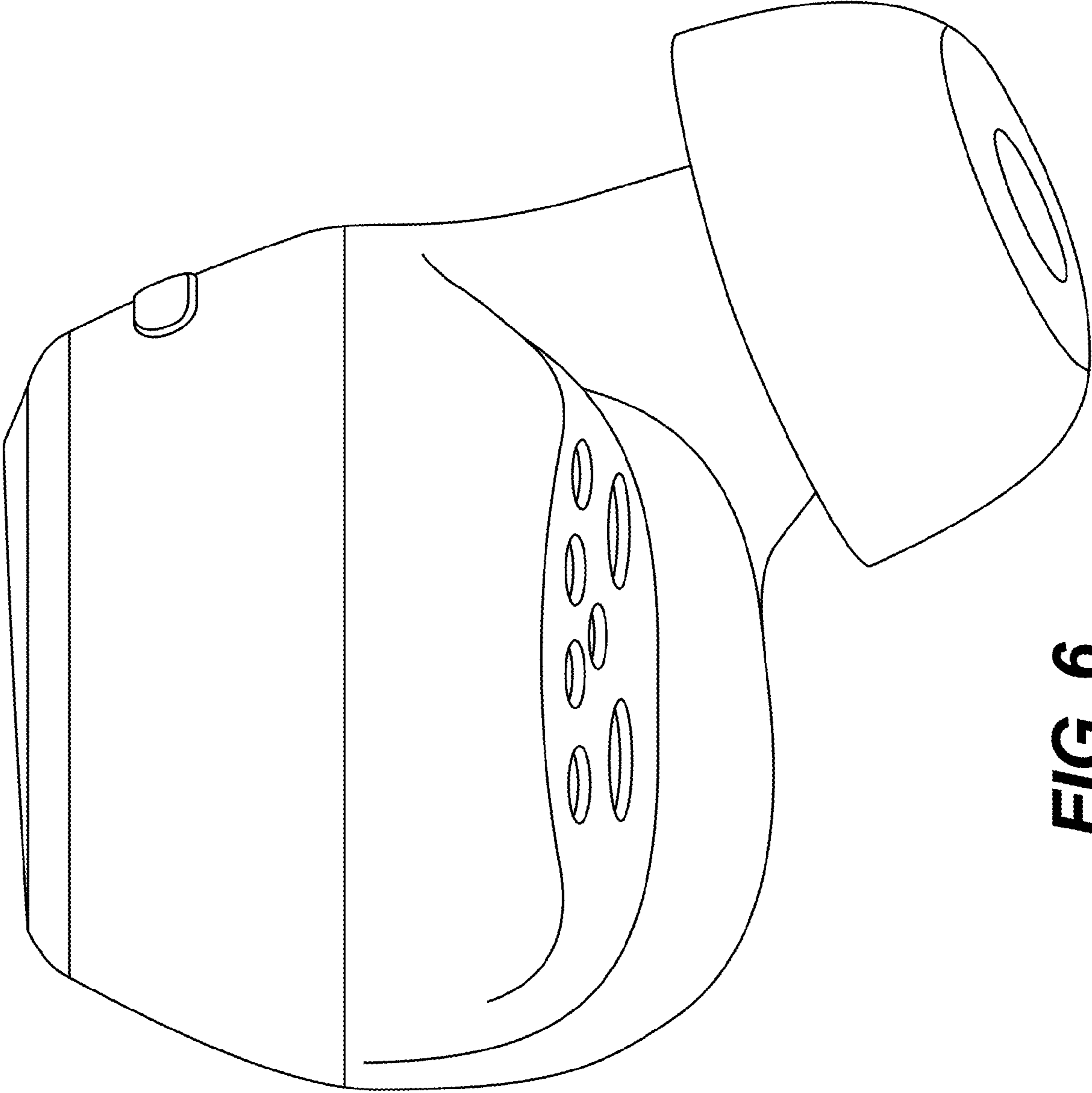


FIG. 6

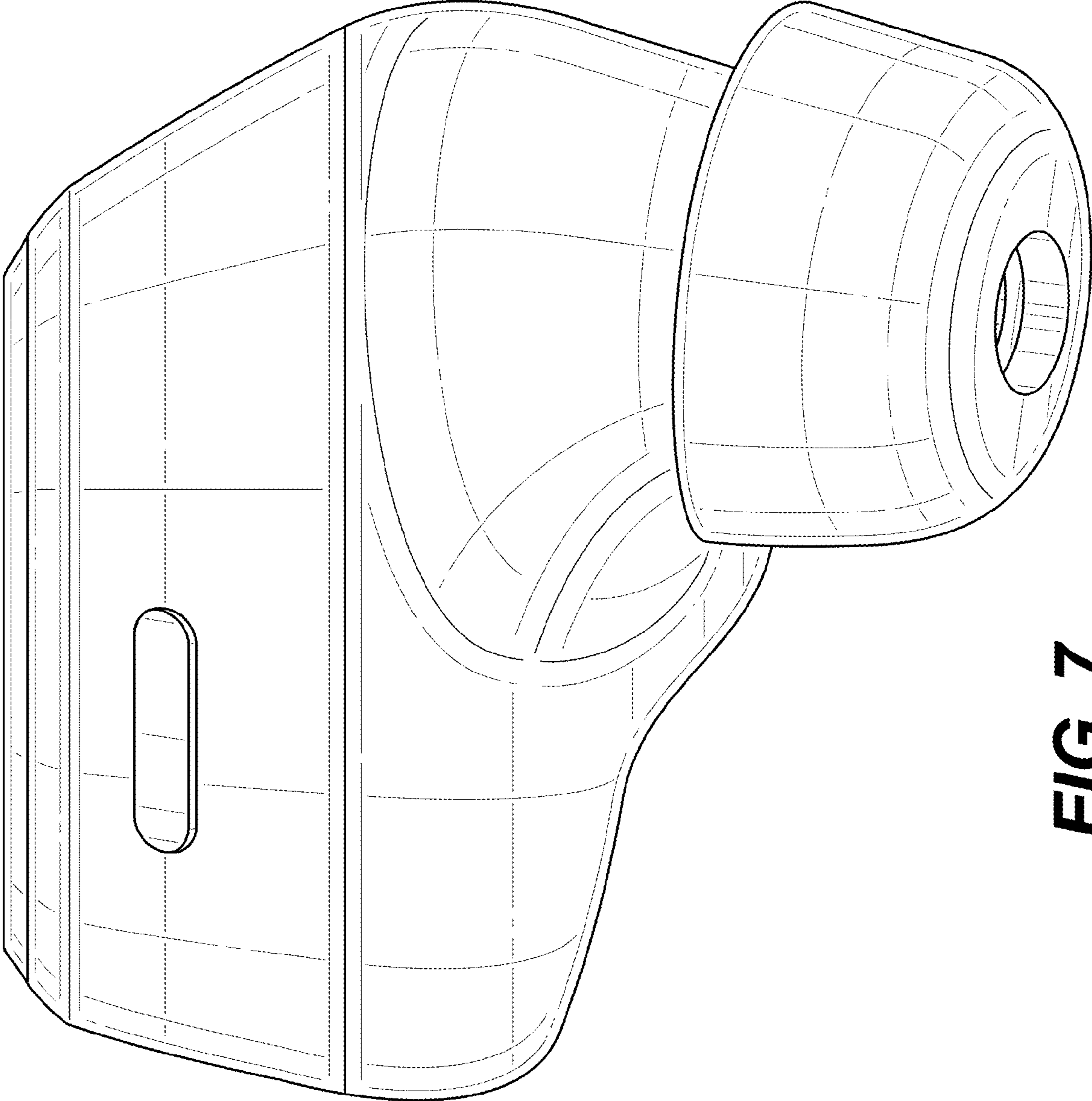


FIG. 7

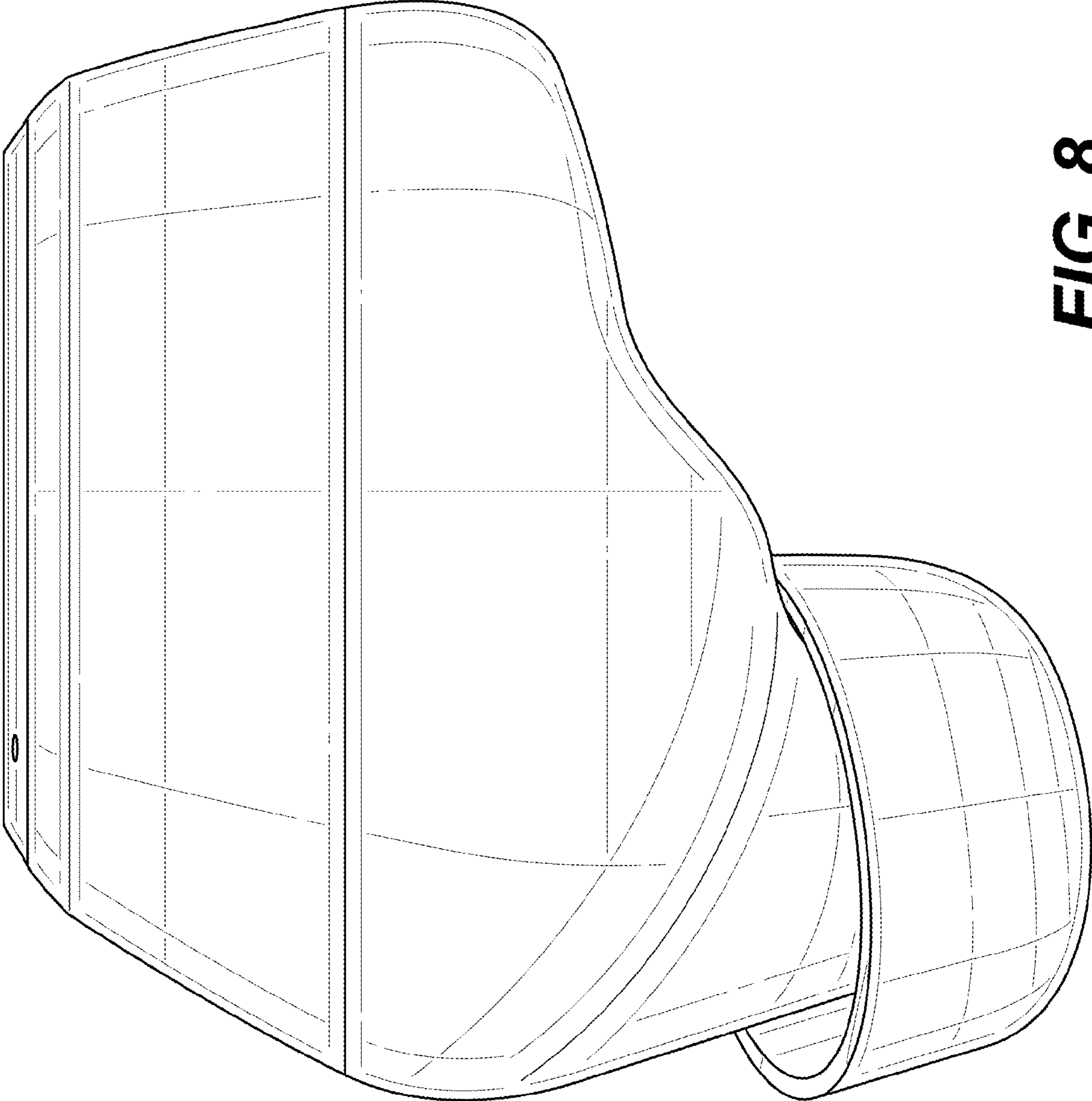


FIG. 8

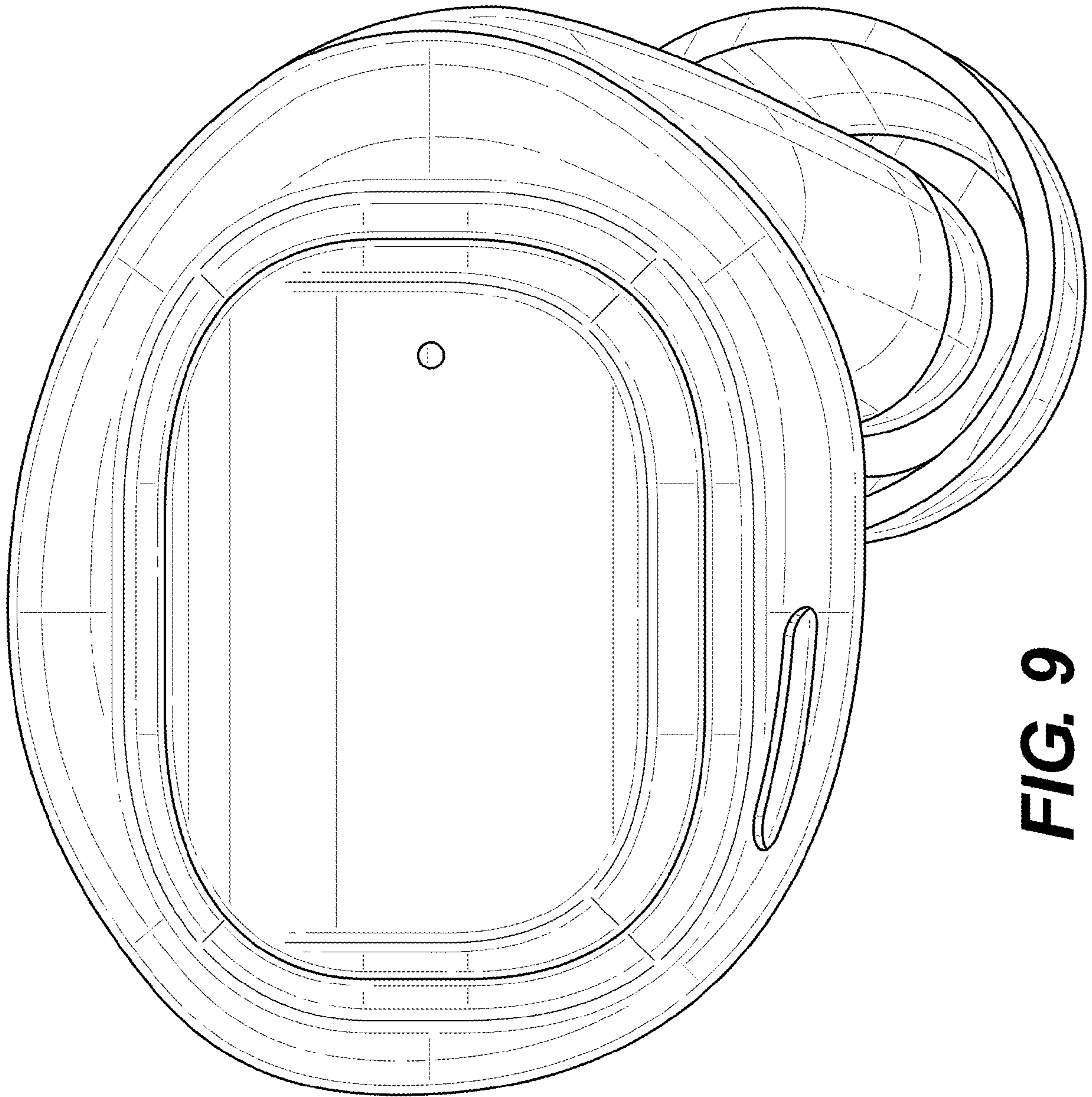


FIG. 9

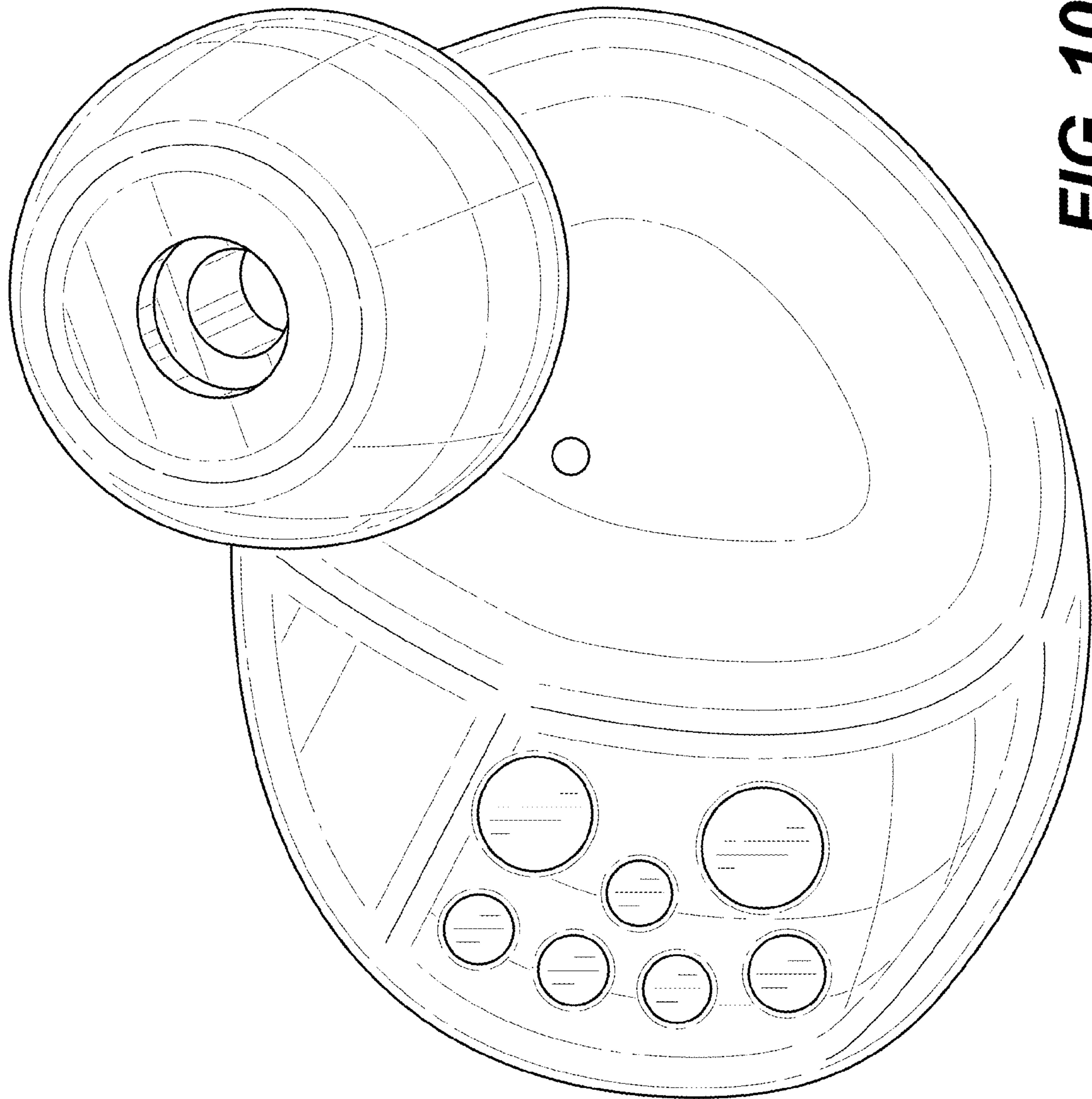


FIG. 10

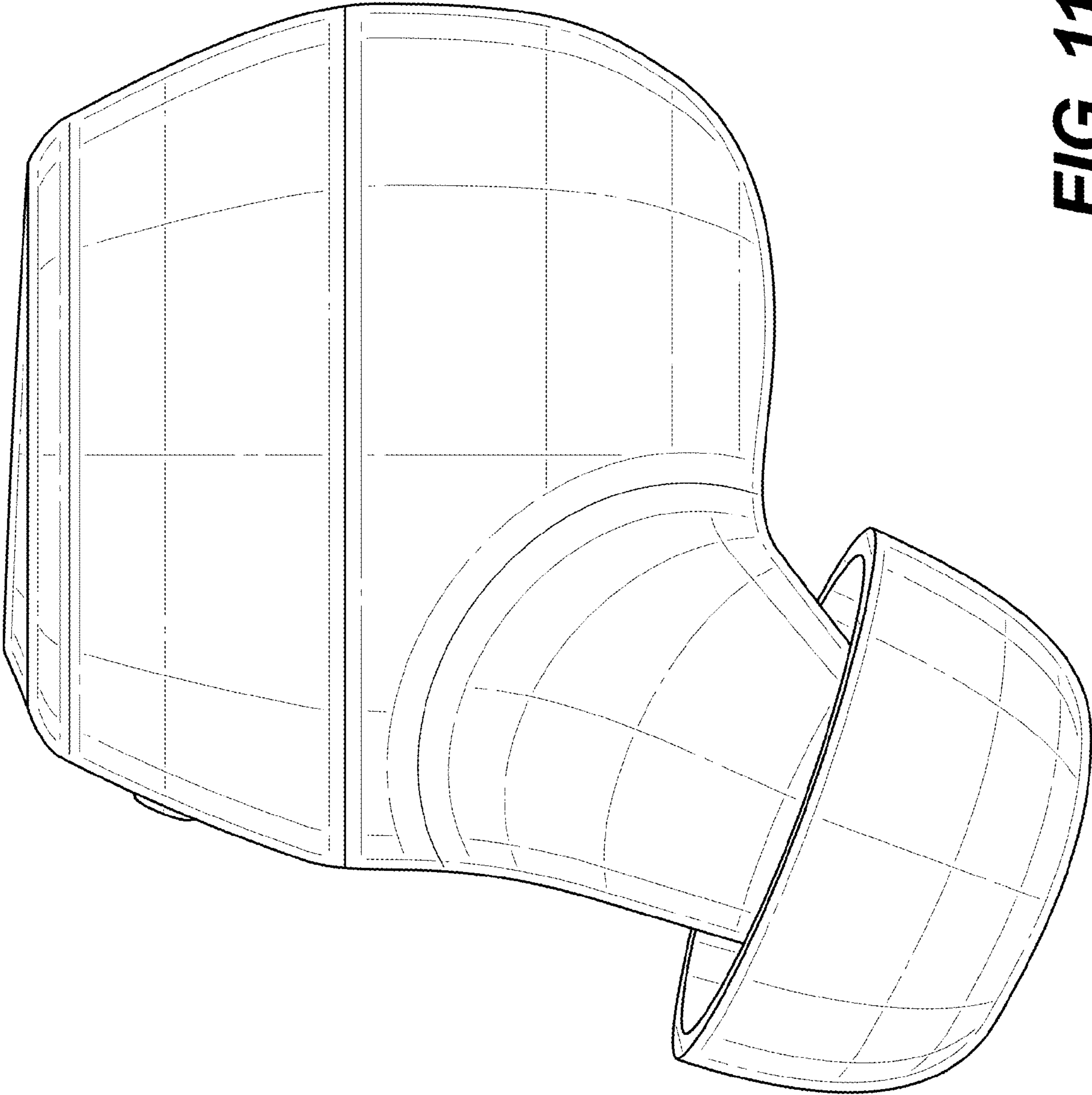


FIG. 11

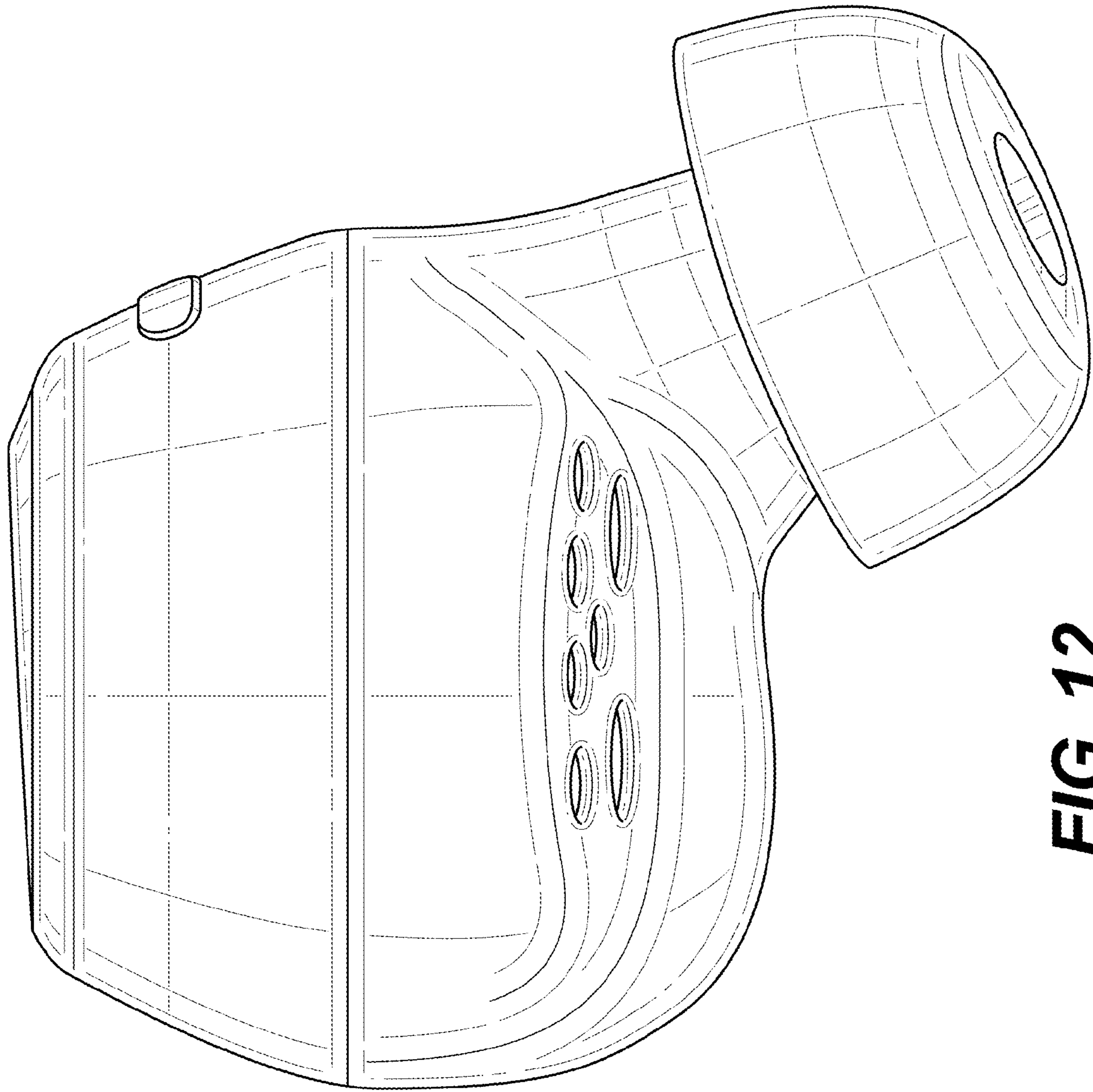


FIG. 12