



US00D96555S

(12) **United States Design Patent**
Chen et al.

(10) **Patent No.:** **US D965,555 S**

(45) **Date of Patent:** **** Oct. 4, 2022**

(54) **HEAD-MOUNTED GAMING HEADSET**

(71) Applicant: **Shenzhen wei bo technology co., LTD,**
Shenzhen (CN)

(72) Inventors: **Wei Chen,** Shenzhen (CN); **Jianghua**
Chen, Shenzhen (CN)

(**) Term: **15 Years**

(21) Appl. No.: **29/770,001**

(22) Filed: **Feb. 9, 2021**

(51) **LOC (13) Cl.** **14-01**

(52) **U.S. Cl.**

USPC **D14/206;** D14/226

(58) **Field of Classification Search**

USPC D14/206, 26, 205, 372; D29/112; 2/209;
381/380–381, 370, 374, 379, 362;
362/105

CPC F21V 33/0056; F21V 33/00; H04R 25/00;
H04R 25/02; H04R 1/1016; H04R
1/1066; H04R 5/033; H04R 5/0335;
H04R 11/04; H04R 19/01; H04R 1/1091

See application file for complete search history.

(56) **References Cited**

U.S. PATENT DOCUMENTS

3,661,225	A *	5/1972	Anderson	A61F 11/14
					181/129
5,210,792	A *	5/1993	Kajihara	H04M 1/05
					381/381
D409,614	S *	5/1999	Carlton	D14/205
5,960,094	A *	9/1999	Jensen	H04R 1/1066
					381/381
6,101,260	A *	8/2000	Jensen	H04R 1/1066
					381/381
D447,472	S *	9/2001	McGugan	D14/225
D505,413	S *	5/2005	Skulley	D14/223
D517,528	S *	3/2006	Skulley	D14/206
D602,001	S *	10/2009	Bentley	D14/206

D602,908	S *	10/2009	Ham	D14/206
D603,372	S *	11/2009	Bentley	D14/206
D607,427	S *	1/2010	Ho	D14/138 AD
D630,179	S *	1/2011	Park	D14/138 AA
D641,725	S *	7/2011	Chong	D14/205
D648,318	S *	11/2011	Huang	D14/206
D651,197	S *	12/2011	Birger	D14/223
8,139,807	B2 *	3/2012	Reiss	H04R 1/1058
					381/375
D666,168	S *	8/2012	Rath	D14/206
D691,111	S *	10/2013	Lee	D14/206
8,774,420	B2 *	7/2014	Belafonte	H04R 1/2811
					381/74

(Continued)

FOREIGN PATENT DOCUMENTS

CN	306203573	*	12/2020
CN	306278857	*	1/2021

(Continued)

Primary Examiner — Paula Allen Greene

(57) **CLAIM**

The ornamental design for a head-mounted gaming headset, as shown and described.

DESCRIPTION

FIG. 1 is a first perspective view of a head-mounted gaming headset showing my new design;
FIG. 2 is a second perspective view thereof;
FIG. 3 is a front view thereof;
FIG. 4 is a back view thereof;
FIG. 5 is a left side view thereof;
FIG. 6 is a right side view thereof;
FIG. 7 is a top view thereof; and,
FIG. 8 is a bottom view thereof.

The broken lines shown in the drawings depict portions of the head-mounted gaming headset in which the design is embodied that form no part of the claimed design.

1 Claim, 8 Drawing Sheets



(56)

References Cited

U.S. PATENT DOCUMENTS

8,861,767 B2 * 10/2014 Lee H04R 5/0335
 381/370
 9,036,849 B2 * 5/2015 Thompson H04R 1/083
 381/370
 D791,734 S * 7/2017 Ou D14/206
 D820,813 S * 6/2018 Sharp D14/206
 D824,362 S * 7/2018 Probst D14/206
 D853,988 S * 7/2019 Wang D14/206
 D856,968 S * 8/2019 Tang D14/206
 D856,971 S * 8/2019 Tang D14/206
 D877,116 S * 3/2020 Liu D14/206
 D890,129 S * 7/2020 Liu D14/206
 D909,337 S * 2/2021 Liu D14/206
 D931,831 S * 9/2021 Liu D14/206
 D935,441 S * 11/2021 Liu D14/206
 D935,442 S * 11/2021 Liu D14/206
 D947,811 S * 4/2022 Chen D14/206
 D948,474 S * 4/2022 Zhou D14/206
 D948,475 S * 4/2022 Zhou D14/206

D948,476 S * 4/2022 Zhou D14/206
 2004/0252487 A1 * 12/2004 McCullough F21V 33/0056
 362/86
 2005/0226452 A1 * 10/2005 Amae H04R 1/1066
 381/381
 2010/0040252 A1 * 2/2010 Thompson H04R 1/083
 381/375
 2011/0194721 A1 * 8/2011 Schmidt H04M 1/05
 381/370
 2013/0083955 A1 * 4/2013 Miyazawa H04R 1/1066
 381/378
 2016/0029137 A1 * 1/2016 Price H04R 1/2823
 29/594
 2017/0245043 A1 * 8/2017 Abbott H04R 1/1008

FOREIGN PATENT DOCUMENTS

CN 306297352 * 1/2021
 CN 306587458 * 6/2021
 CN 306670722 * 7/2021
 CN 307141859 * 3/2022

* cited by examiner

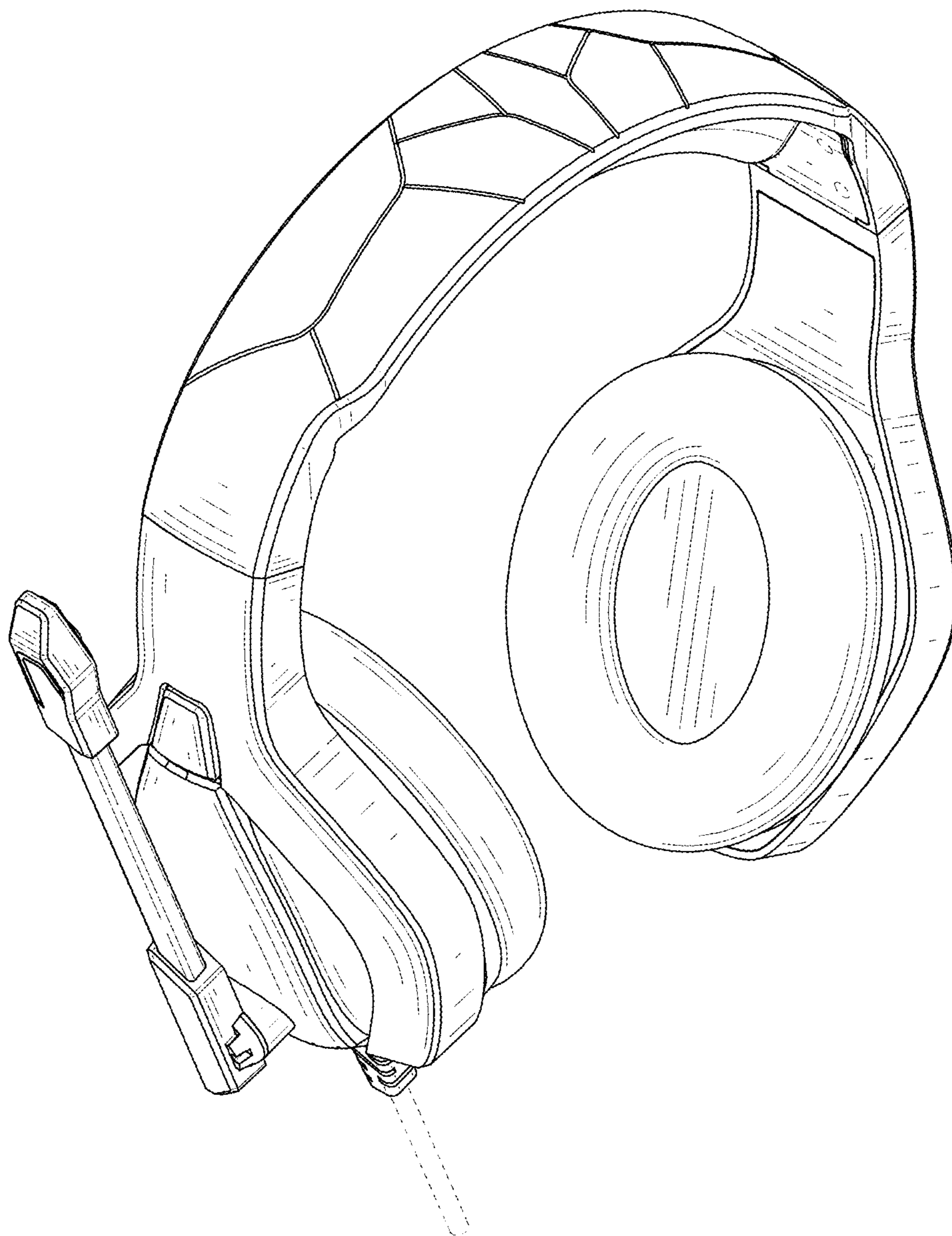


FIG. 1

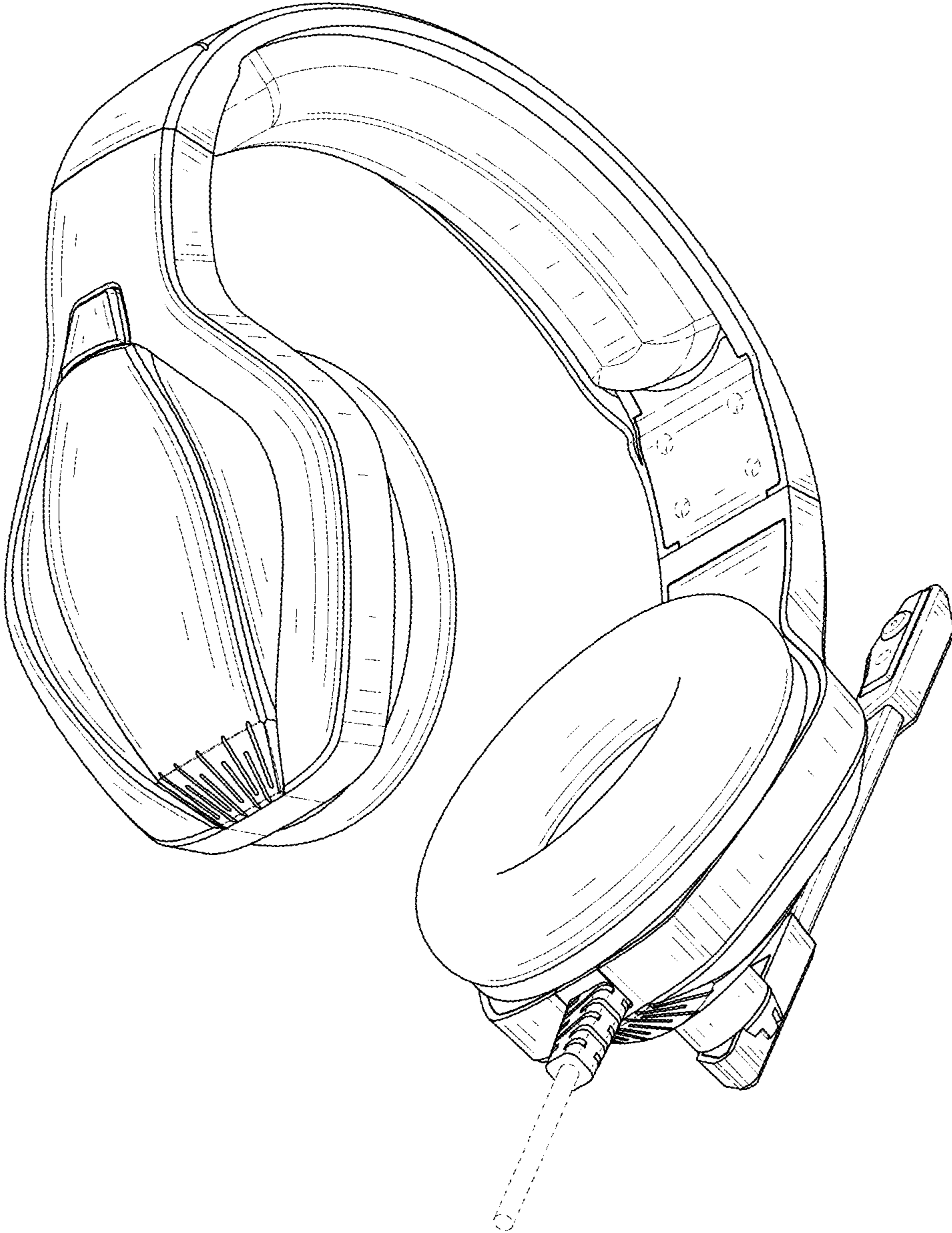


FIG. 2



FIG. 3



FIG. 4

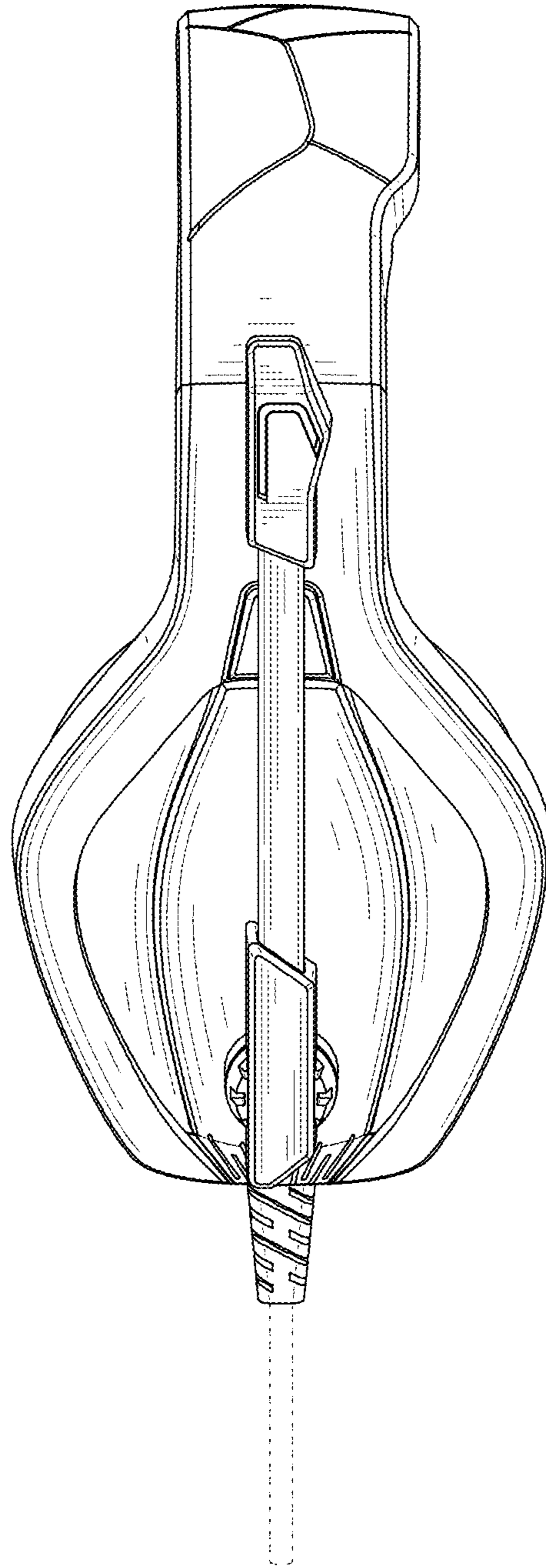


FIG. 5

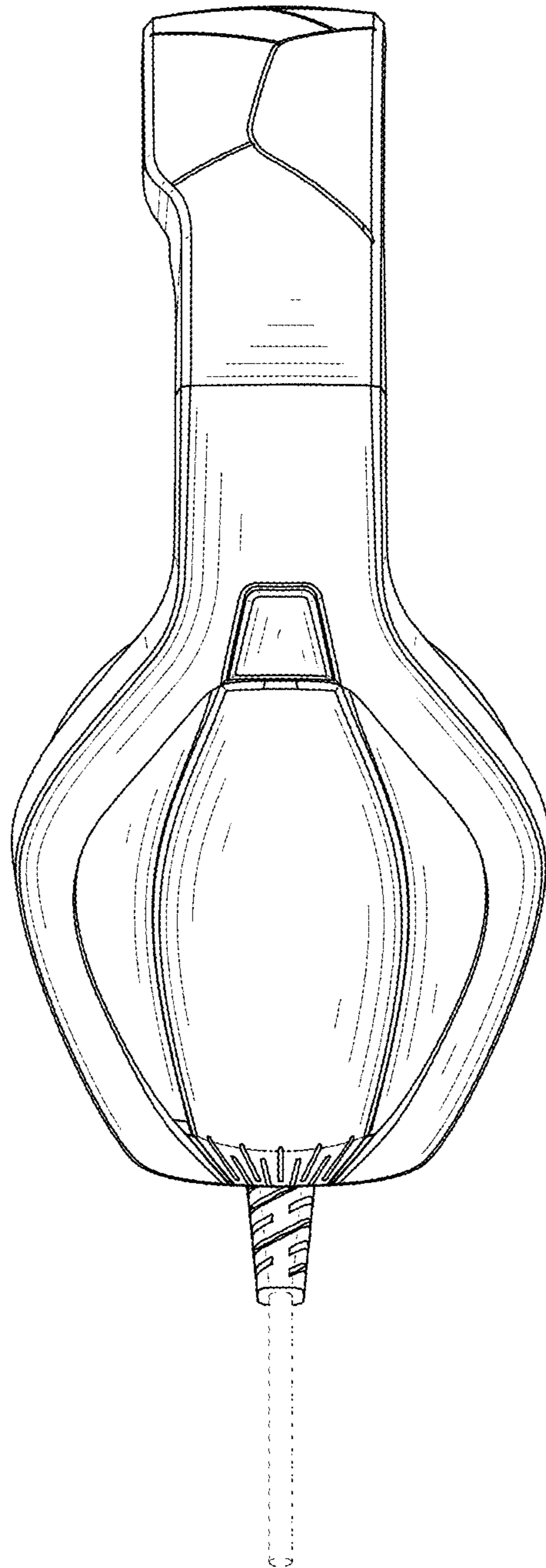


FIG. 6

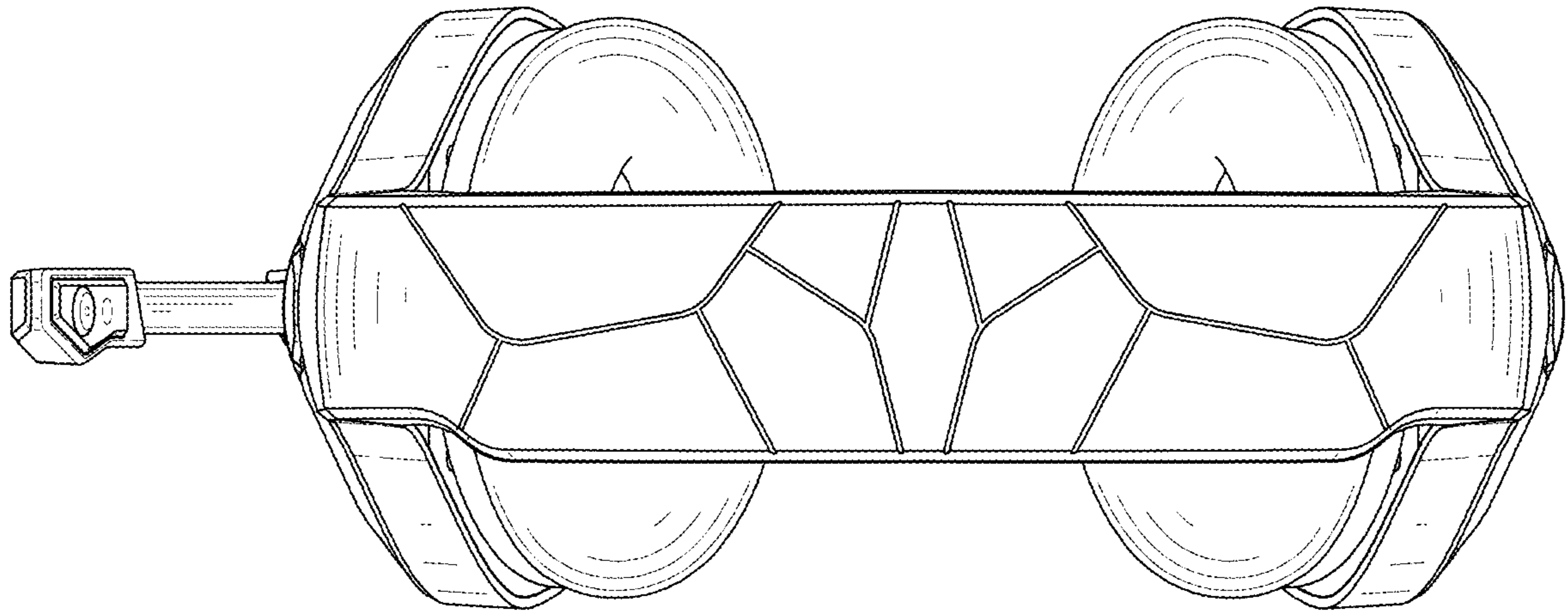


FIG. 7

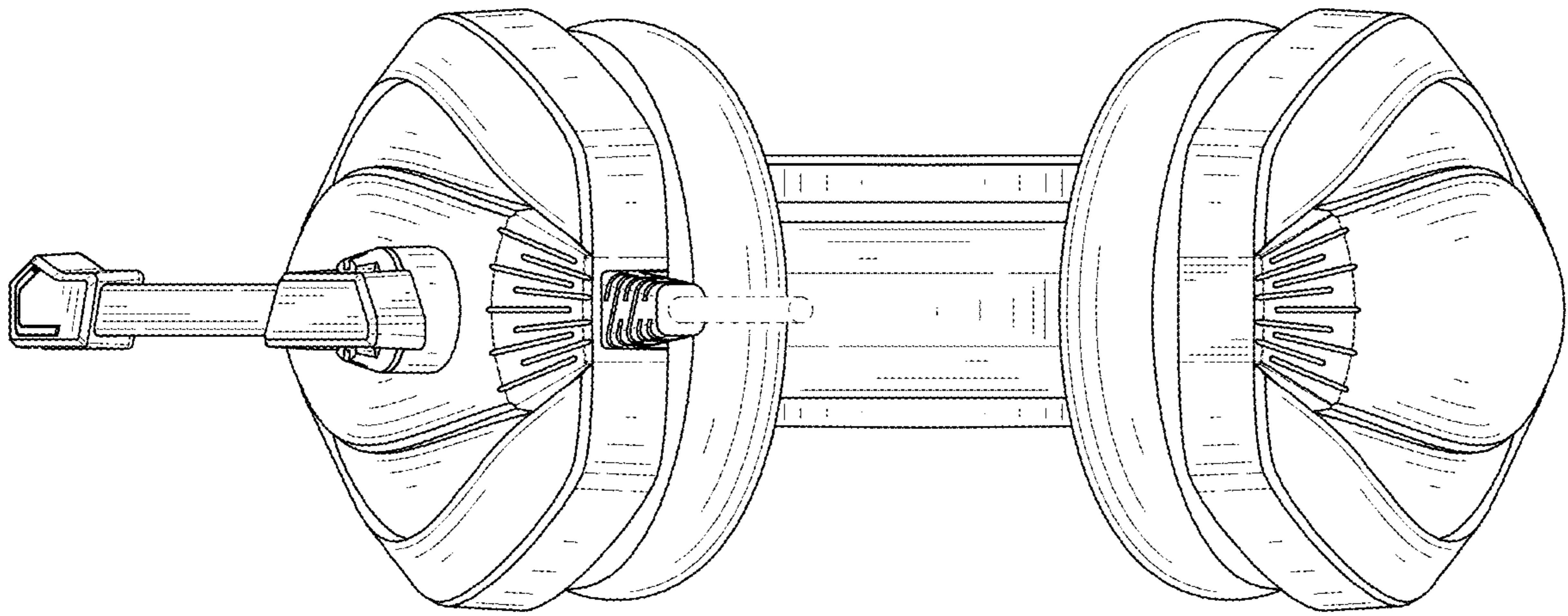


FIG. 8