



US00D96553S

(12) **United States Design Patent** (10) **Patent No.:** **US D965,553 S**  
**Takano** (45) **Date of Patent:** **\*\* Oct. 4, 2022**

(54) **SPEAKER**

FOREIGN PATENT DOCUMENTS

(71) Applicant: **Balmuda Inc.**, Tokyo (JP)

JP 202011494 \* 12/2020  
KR 30202000020380 \* 4/2021

(72) Inventor: **Jun Takano**, Tokyo (JP)

(73) Assignee: **Balmuda Inc.**, Tokyo (JP)

(\*\*) Term: **15 Years**

(21) Appl. No.: **29/743,950**

(22) Filed: **Jul. 24, 2020**

(30) **Foreign Application Priority Data**

Feb. 6, 2020 (JP) ..... 2020-002214

(51) **LOC (13) Cl.** ..... **14-01**

(52) **U.S. Cl.**  
USPC ..... **D14/204**

(58) **Field of Classification Search**  
USPC ..... D14/172, 204, 216, 242; D26/37, 40, 41  
CPC ..... F21L 19/00; F21V 35/00  
See application file for complete search history.

(56) **References Cited**

U.S. PATENT DOCUMENTS

- 4,054,791 A \* 10/1977 Du Shane ..... F21L 2/00  
362/35
- 4,520,431 A \* 5/1985 Fanelli ..... F21L 19/00  
362/162
- 6,030,093 A \* 2/2000 Draper ..... F21L 19/00  
362/161
- D711,352 S \* 8/2014 Szymanski ..... D14/216
- D747,022 S \* 1/2016 Leung ..... D26/40
- D817,922 S \* 5/2018 Hong ..... D14/210
- D844,875 S \* 4/2019 Jeon ..... D26/51
- D870,701 S \* 12/2019 Lee ..... D14/211
- D905,012 S \* 12/2020 Lee ..... D14/216
- D909,645 S \* 2/2021 Tong ..... D26/51
- 2009/0135611 A1 \* 5/2009 Lin ..... F21L 4/04  
362/372
- 2011/0182061 A1 \* 7/2011 Loi ..... F21L 4/00  
362/186

(Continued)

OTHER PUBLICATIONS

[I tried using 'Balmuda The Speaker'], available in gigazine.net, announced 2020 [online], [site visited Dec. 16, 2021], Internet URL: [https://gigazine.net/gsc\\_news/en/20200711-balmuda-the-speaker/](https://gigazine.net/gsc_news/en/20200711-balmuda-the-speaker/) (Year: 2020).\*

*Primary Examiner* — Khawaja Anwar

*Assistant Examiner* — Megan Tiana Rakos

(74) *Attorney, Agent, or Firm* — Fitch, Even, Tabin & Flannery LLP

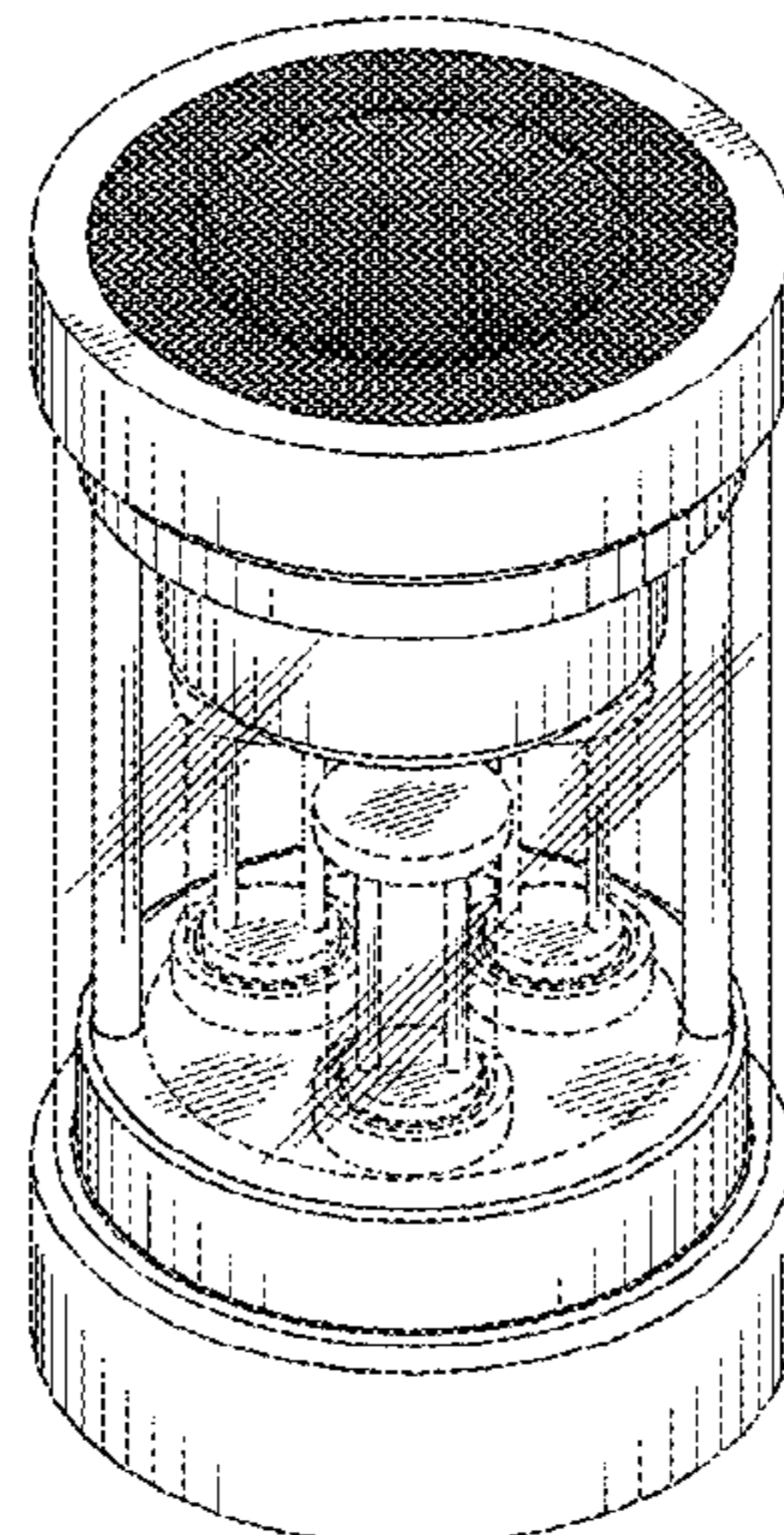
(57) **CLAIM**

I claim the ornamental design for a speaker, as shown and described.

**DESCRIPTION**

FIG. 1 is a perspective view of a speaker, showing my new design;  
FIG. 2 is a front elevational view thereof;  
FIG. 3 is a rear elevational view thereof;  
FIG. 4 is a top plan view thereof;  
FIG. 5 is a bottom plan view thereof;  
FIG. 6 is a right side elevational view thereof;  
FIG. 7 is a left side elevational view thereof;  
FIG. 8 is a cross-sectional view thereof taken along line 8-8 of FIG. 2; and,  
FIG. 9 is a cross-sectional view thereof taken along line 9-9 of FIG. 2.  
The dashed broken lines show portions of the speaker that form no part of the claimed design.

**1 Claim, 9 Drawing Sheets**



(56)

**References Cited**

U.S. PATENT DOCUMENTS

2015/0292731 A1\* 10/2015 Rutger ..... F21V 21/22  
362/86  
2016/0122098 A1\* 5/2016 Acevedo Madrid .....  
B65D 41/0442  
215/366  
2016/0245529 A1\* 8/2016 McClean ..... F21L 26/00

\* cited by examiner



FIG. 1

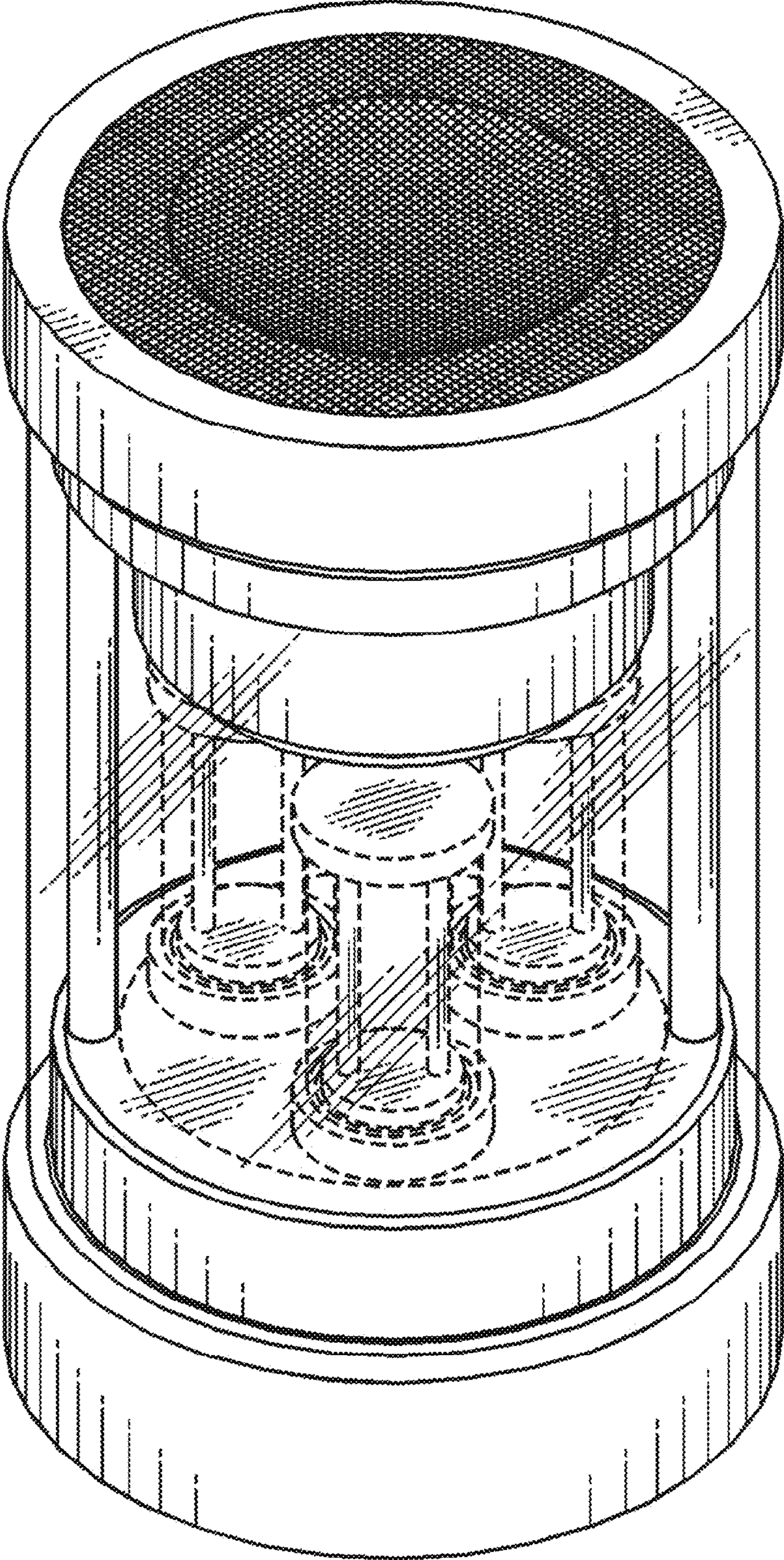




FIG. 2

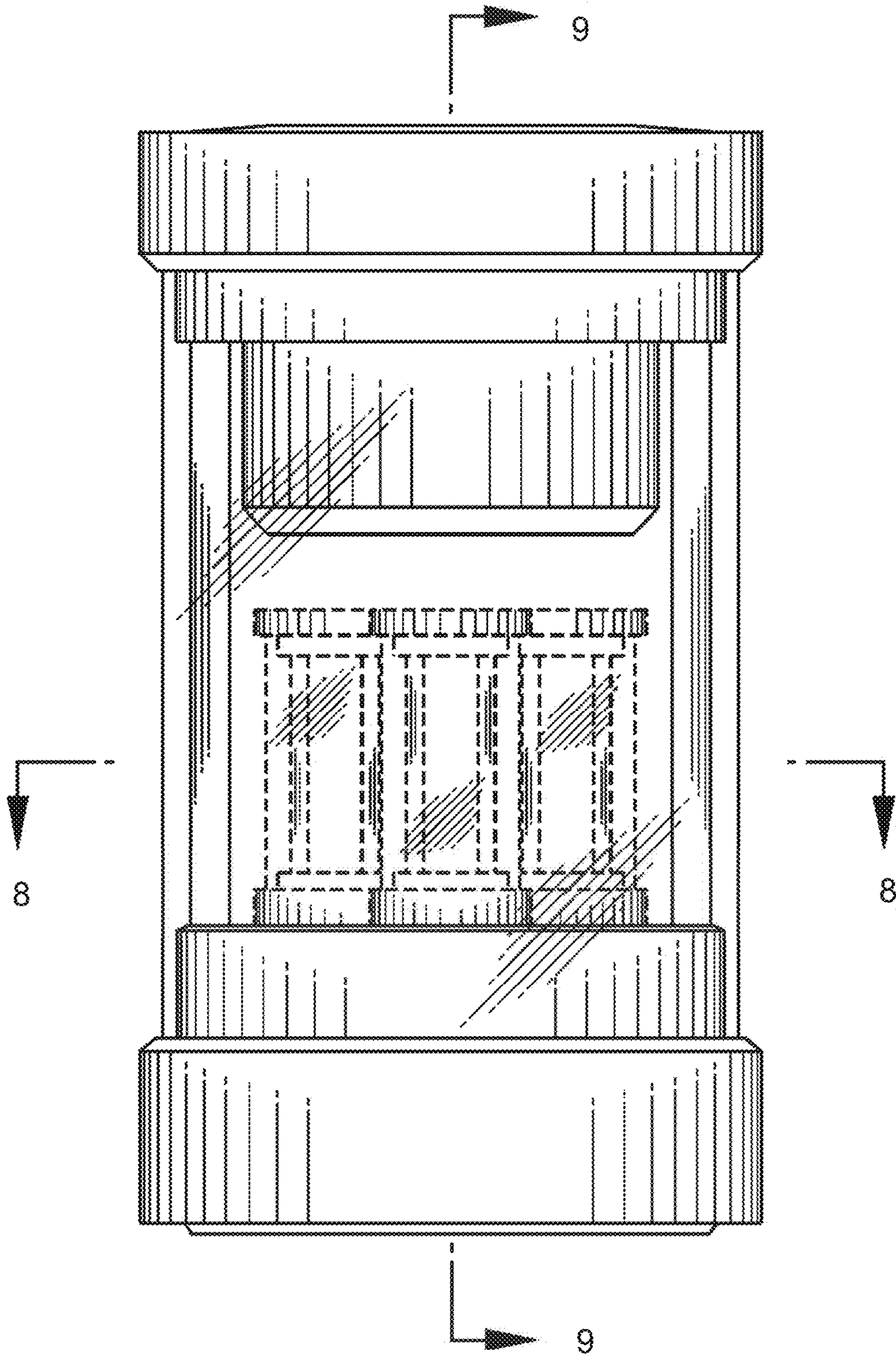


FIG. 3

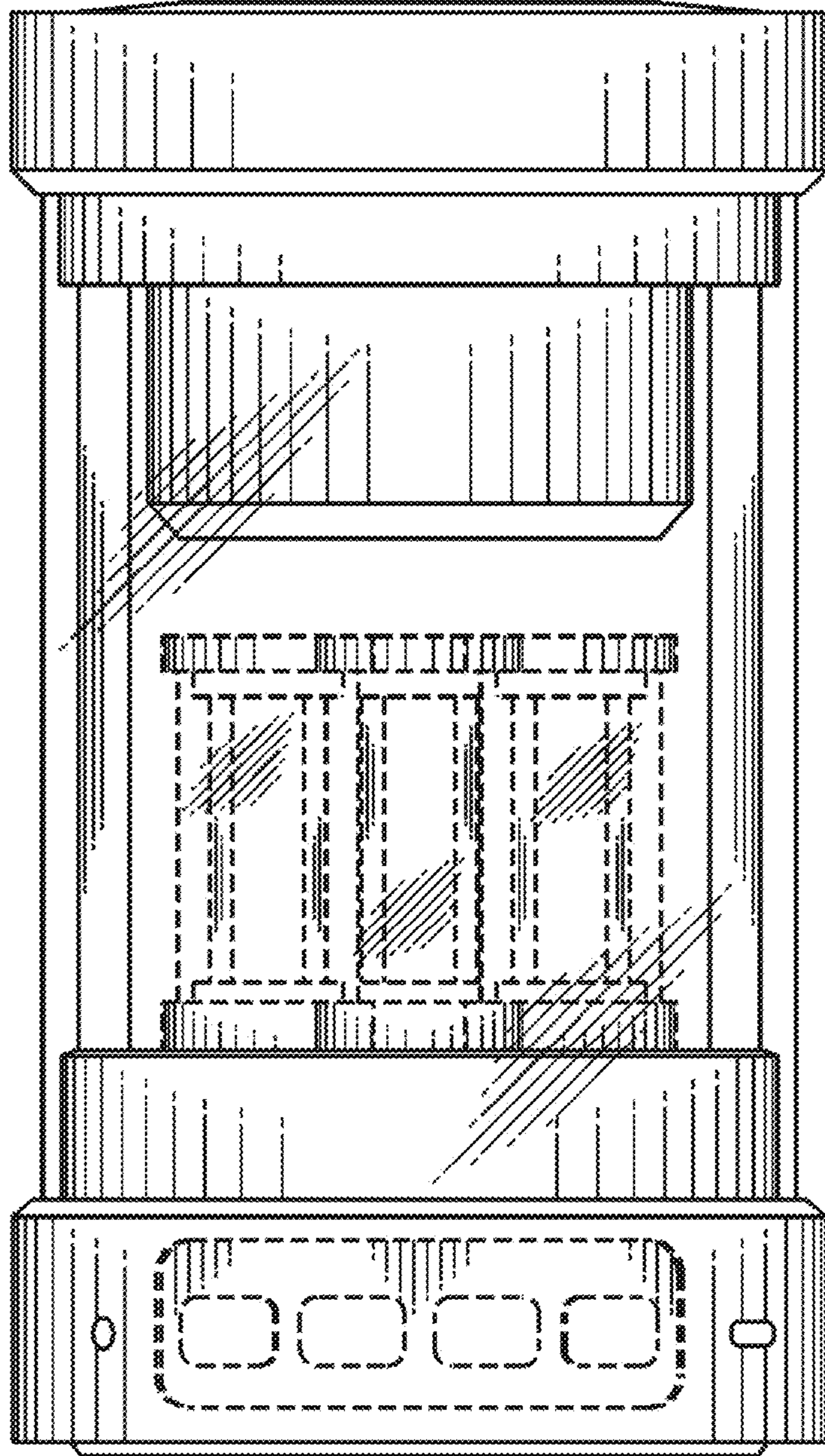




FIG. 4

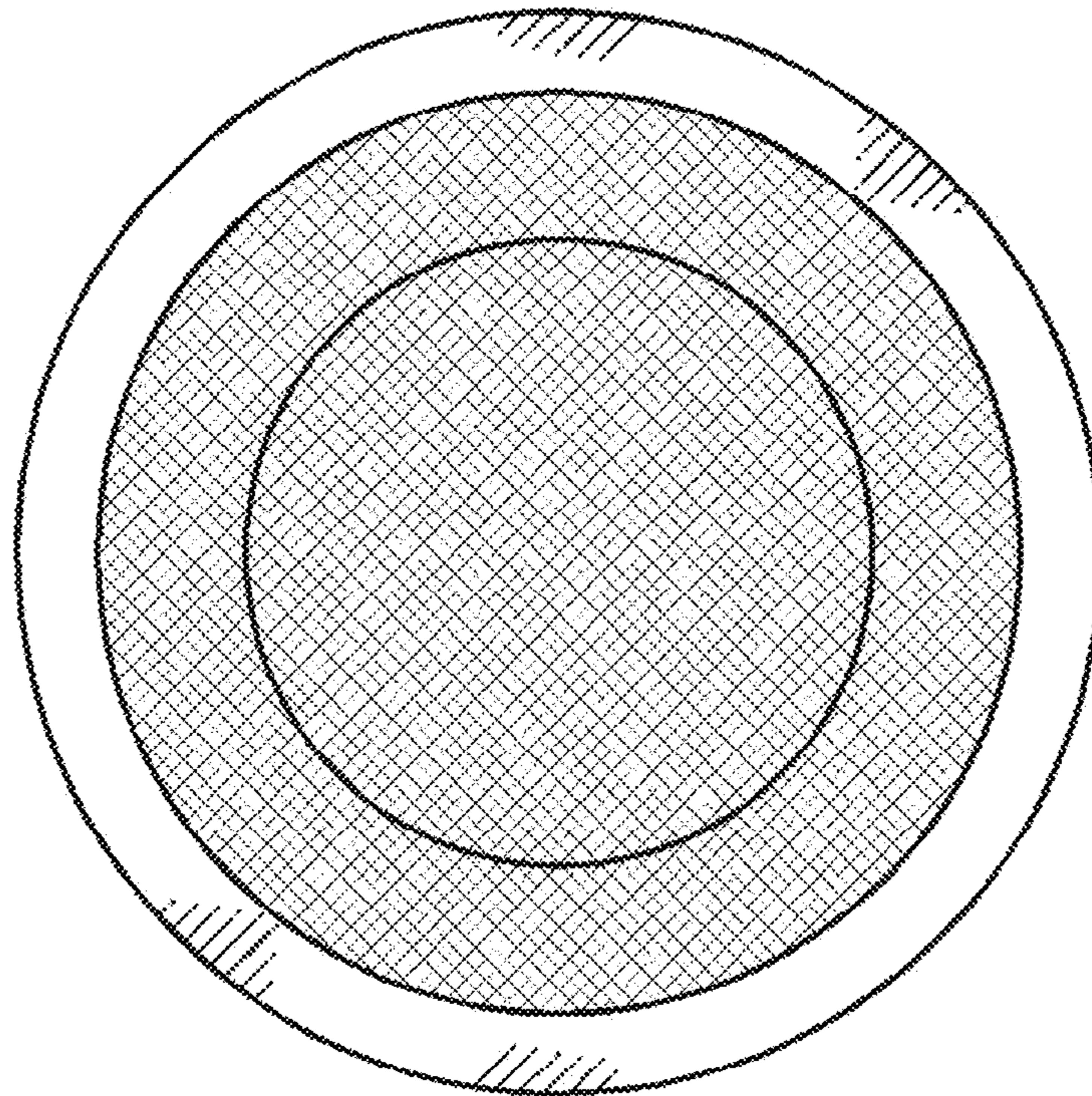


FIG. 5

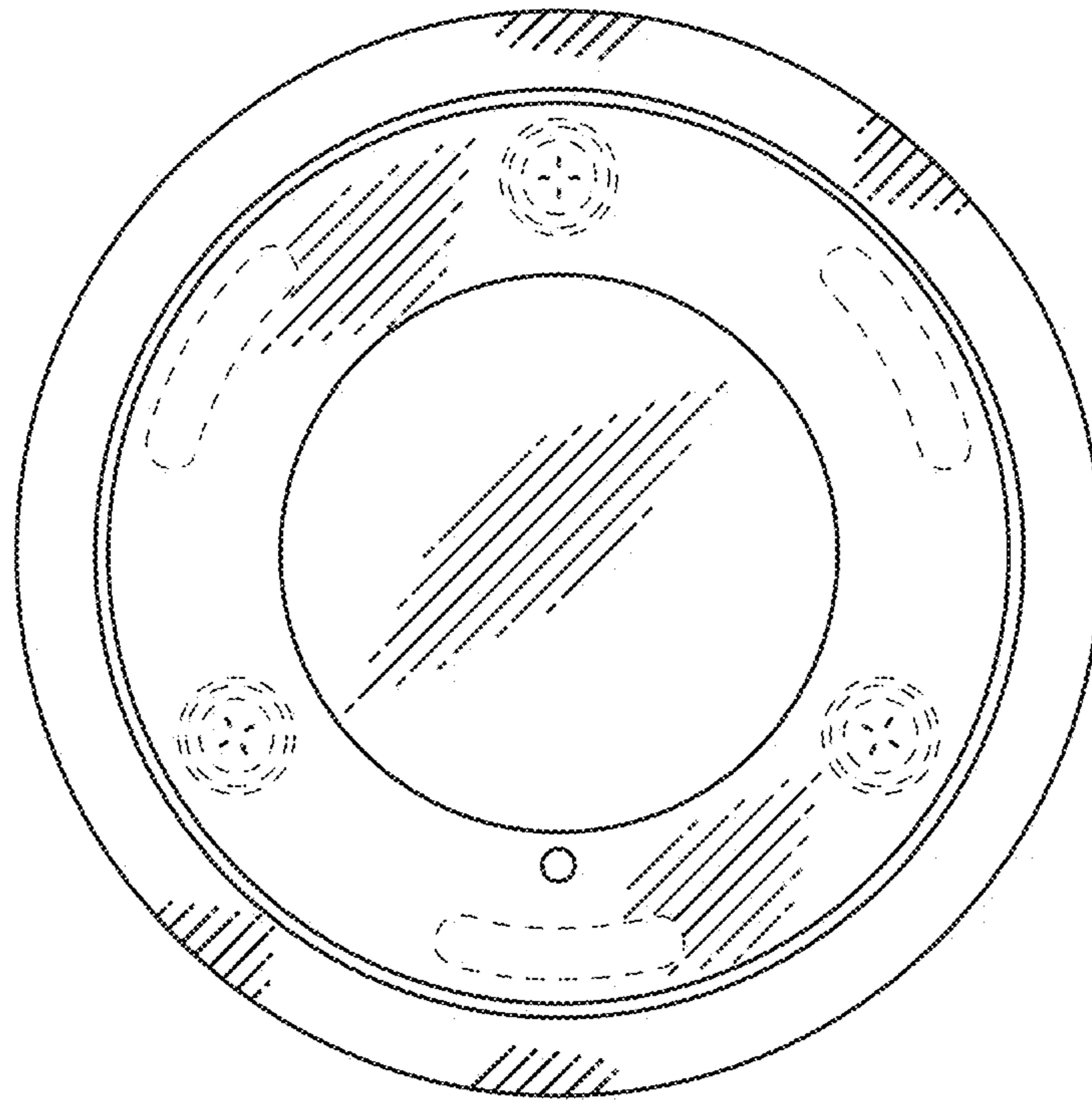


FIG. 6

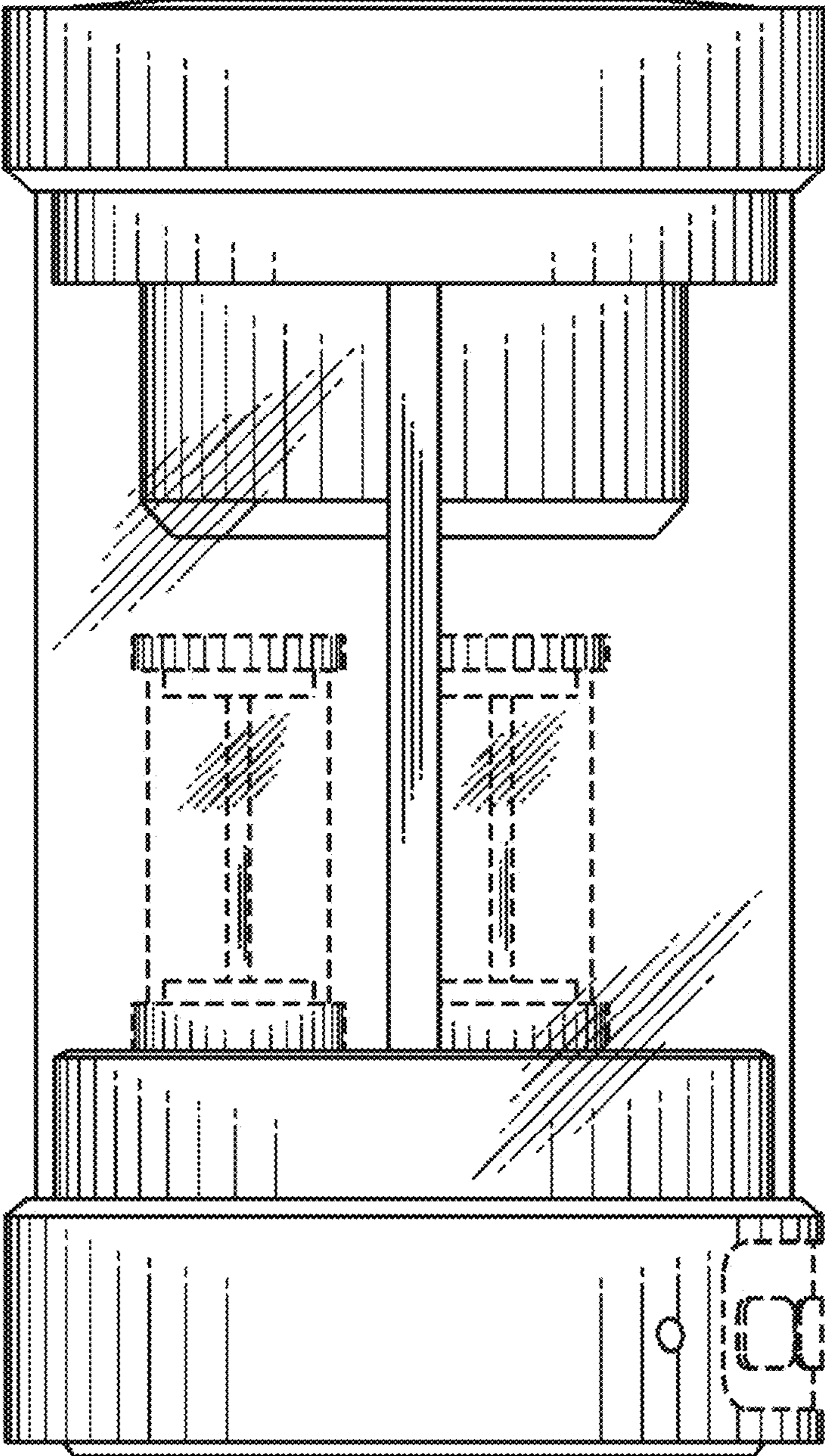




FIG. 7

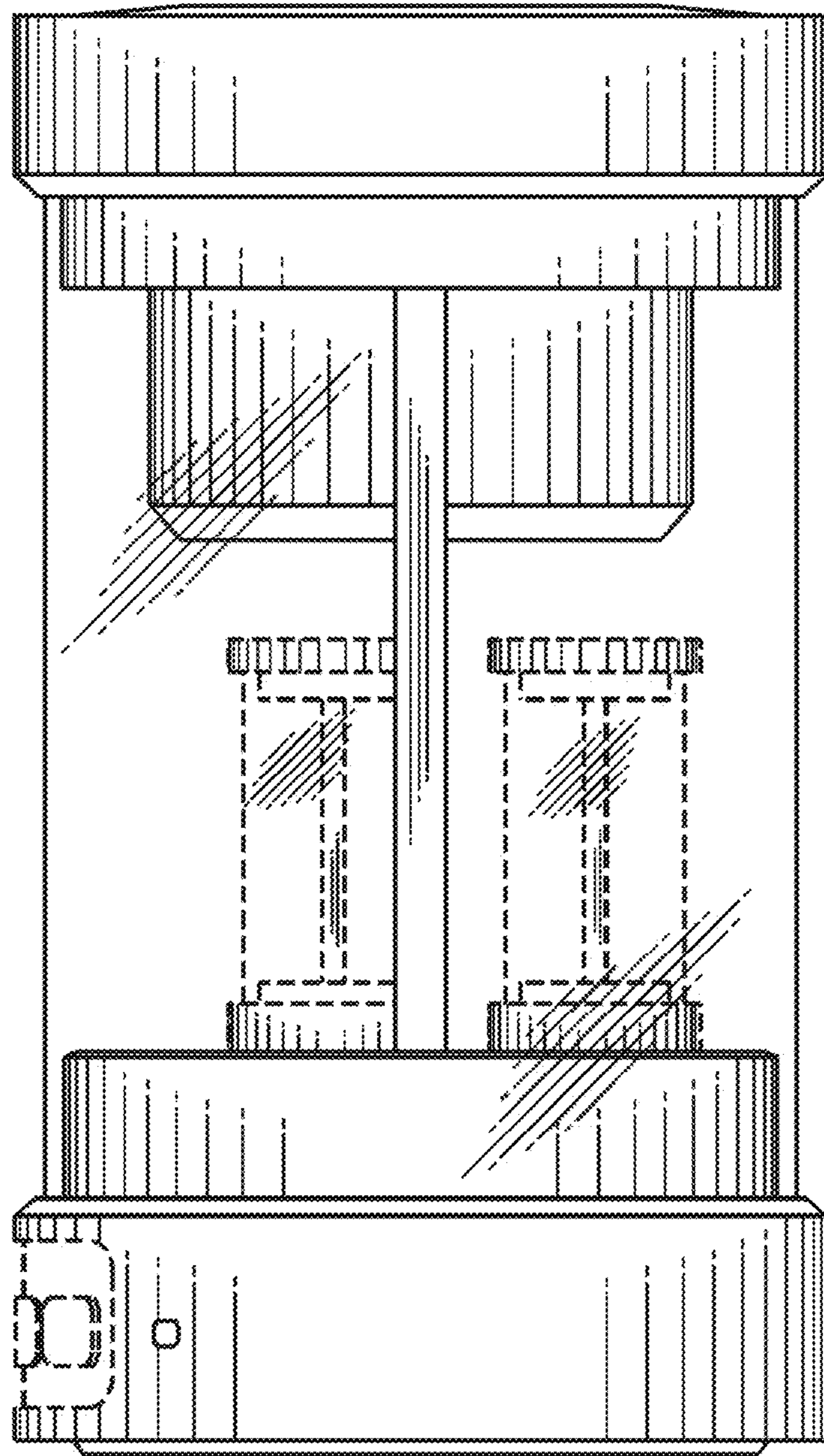


FIG. 8

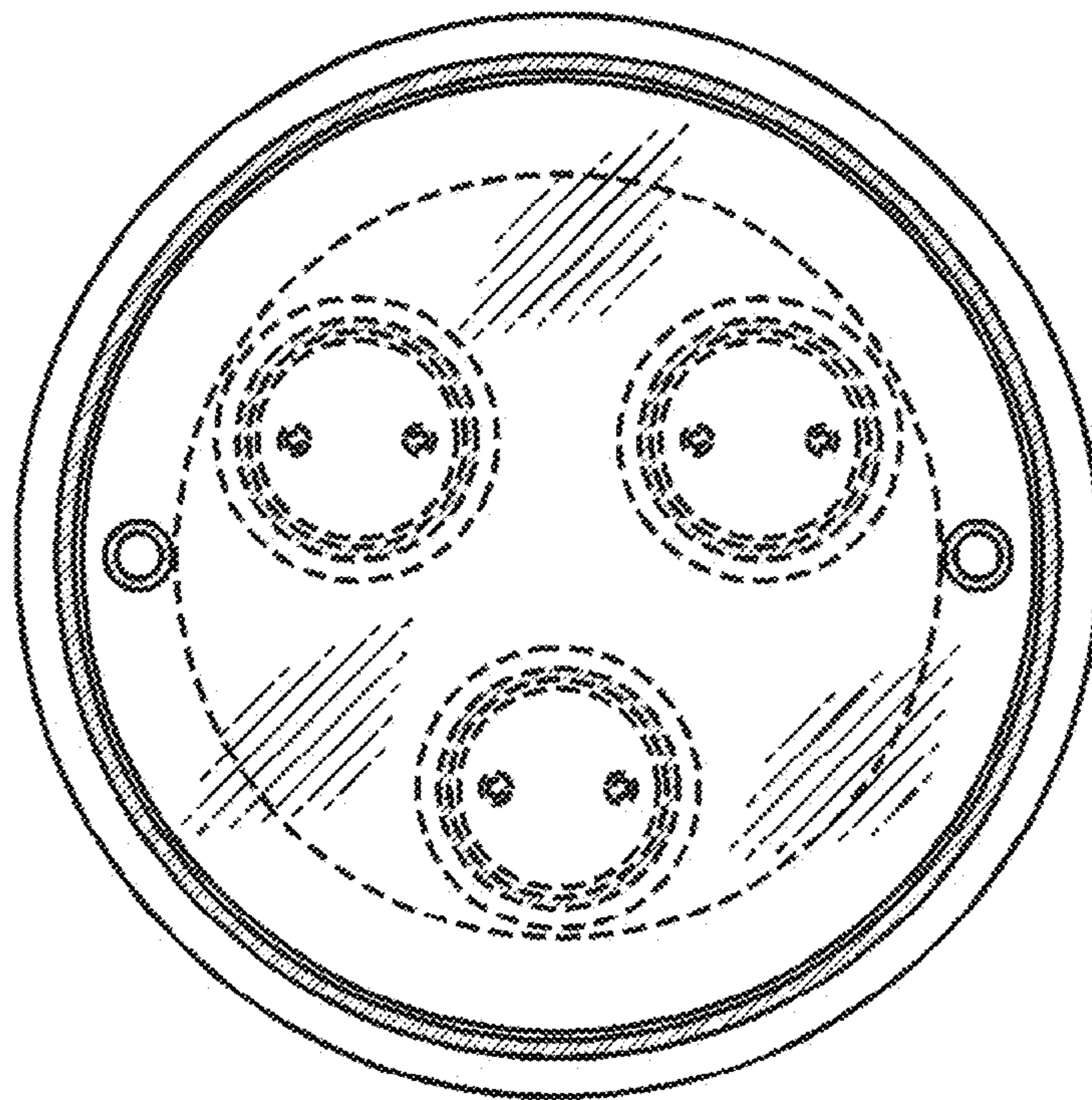




FIG. 9

