

US00D965549S

(12) **United States Design Patent** (10) **Patent No.:** **US D965,549 S**
Spieß et al. (45) **Date of Patent:** **** Oct. 4, 2022**

(54) **INTERCOM BELTPACK**

(71) Applicant: **Robert Bosch GmbH**, Stuttgart (DE)

(72) Inventors: **Aleksandra Spiess**, Rosemount, MN (US); **Sean McKinnon**, Newmarket (CA)

(73) Assignee: **Robert Bosch GMBH**, Stuttgart (DE)

(**) Term: **15 Years**

(21) Appl. No.: **29/757,876**

(22) Filed: **Nov. 10, 2020**

(51) **LOC (13) Cl.** **14-03**

(52) **U.S. Cl.**
USPC **D14/155**

(58) **Field of Classification Search**
USPC D14/167, 154, 168, 188, 496, 156, 160, D14/161, 162, 163, 164, 165, 158, 341, D14/346, 342, 345, 137, 155, 218, 225; D16/208; D26/38; 455/351, 350; D10/104.1, 106, 65
CPC H04B 1/385; H04M 1/6091; H04M 1/6066
See application file for complete search history.

(56) **References Cited**

U.S. PATENT DOCUMENTS

D579,913 S	*	11/2008	Lamason	D14/159
D665,767 S	*	8/2012	Hancock	D14/159
D685,756 S	*	7/2013	Liu	D14/155
D685,757 S	*	7/2013	Liu	D14/155
D727,277 S	*	4/2015	Fujioka	D14/159
D795,833 S	*	8/2017	Zhou	D14/159
D889,426 S	*	7/2020	Fu	D14/159
D890,715 S	*	7/2020	Li	D14/155
D947,150 S	*	3/2022	Zhang	D14/155

FOREIGN PATENT DOCUMENTS

WO 2017157905 A1 9/2017

OTHER PUBLICATIONS

Telex, "Sound Mate Personal Listening Systems", Informational Brochure, Jun. 2004, 2 pgs.
RTS Intercom Systems, Product Catalog, 2019, pp. 32-54.
Green-Go GGO WBPX Dect Wireless Beltpack 4-Channel with PSU, <https://www.canford.co.uk/Products/26-776_GREEN-GO-GGO-WBPX-DECT-WIRELESS-BELTPACK-4-channel-with-PSU-black#image-1https://www.canford.co.uk/Products/26-776_GREEN-GO-GGO-WBPX-DECT-WIRELESS-BELTPACK-4-channel-with-PSU-black#image-1>, webpage publicly available at least as early as Oct. 9, 2020, 5 pages.

* cited by examiner

Primary Examiner — Austin Murphy

(74) *Attorney, Agent, or Firm* — Michael Best & Friedrich LLP

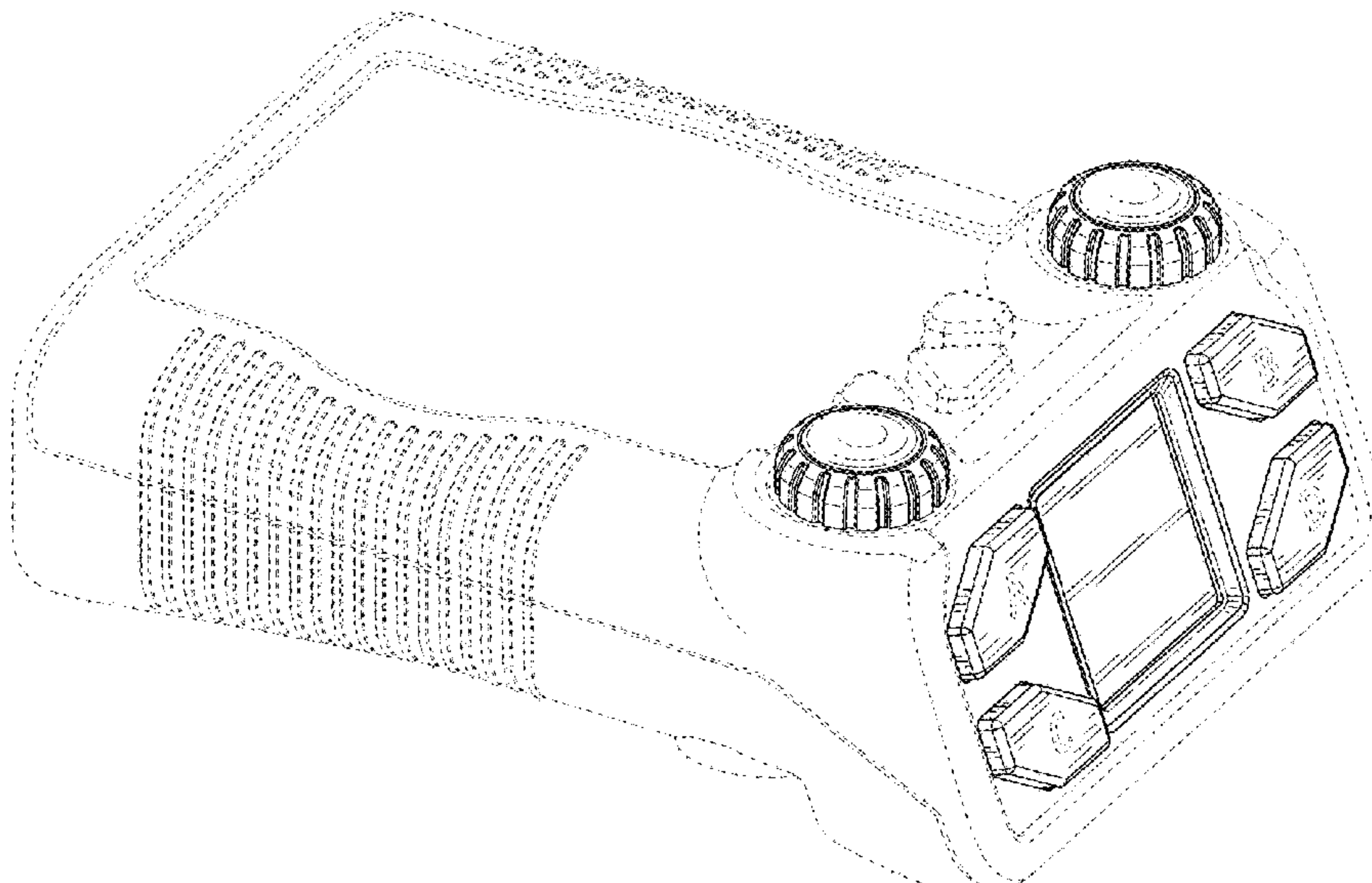
(57) **CLAIM**

We claim the ornamental design for an intercom beltpack, as shown and described.

DESCRIPTION

FIG. 1 is a first perspective view of an intercom beltpack showing our new design;
FIG. 2 is a second perspective view thereof;
FIG. 3 is a right side elevation view thereof;
FIG. 4 is a left side elevation view thereof;
FIG. 5 is a front elevation view thereof;
FIG. 6 is a rear elevation view thereof;
FIG. 7 is a top plan view thereof; and,
FIG. 8 is a bottom plan view thereof.
The broken lines are for the purpose of illustrating portions of the intercom beltpack that form no part of the claimed design.

1 Claim, 7 Drawing Sheets



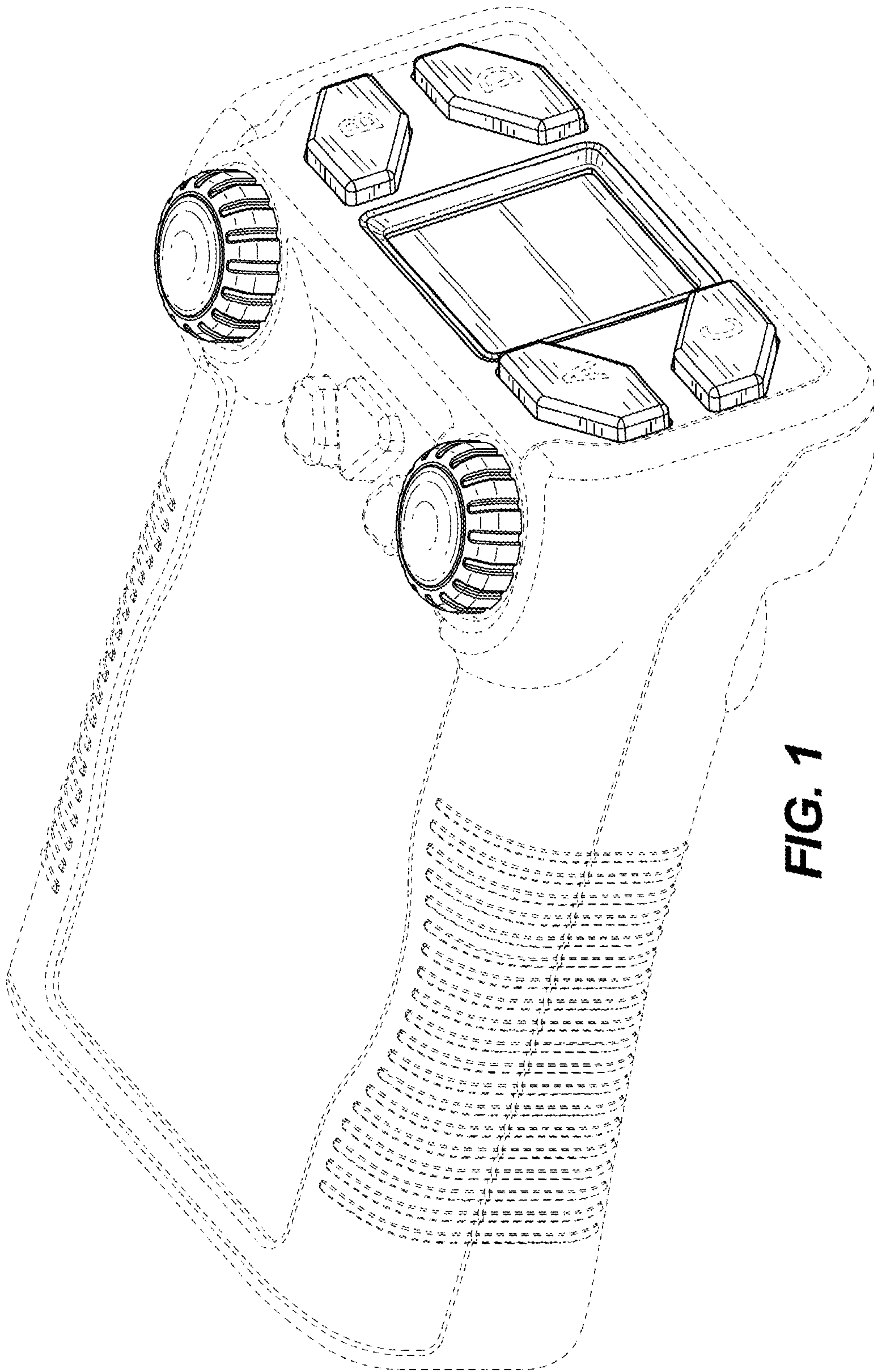


FIG. 1

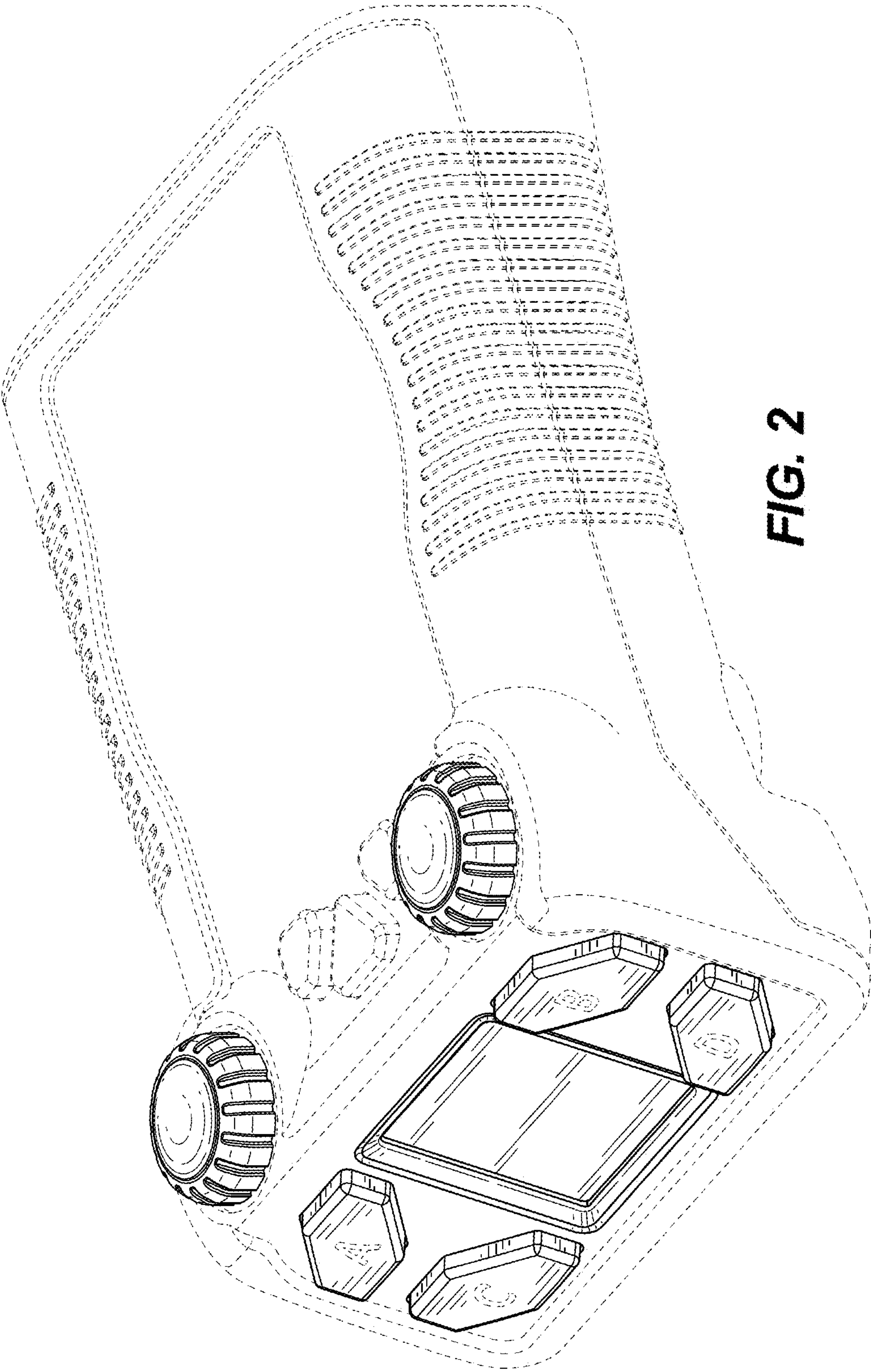


FIG. 2

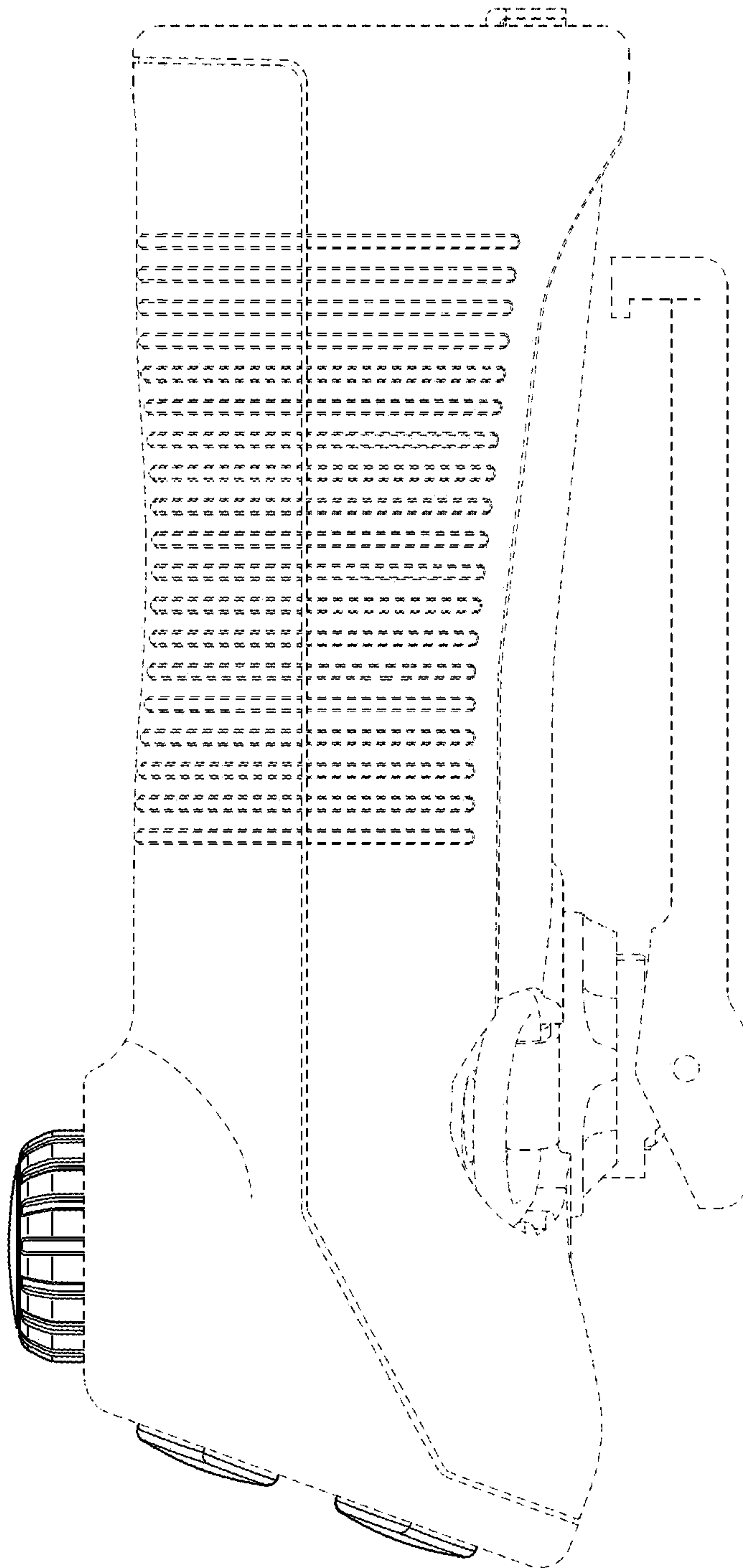


FIG. 3

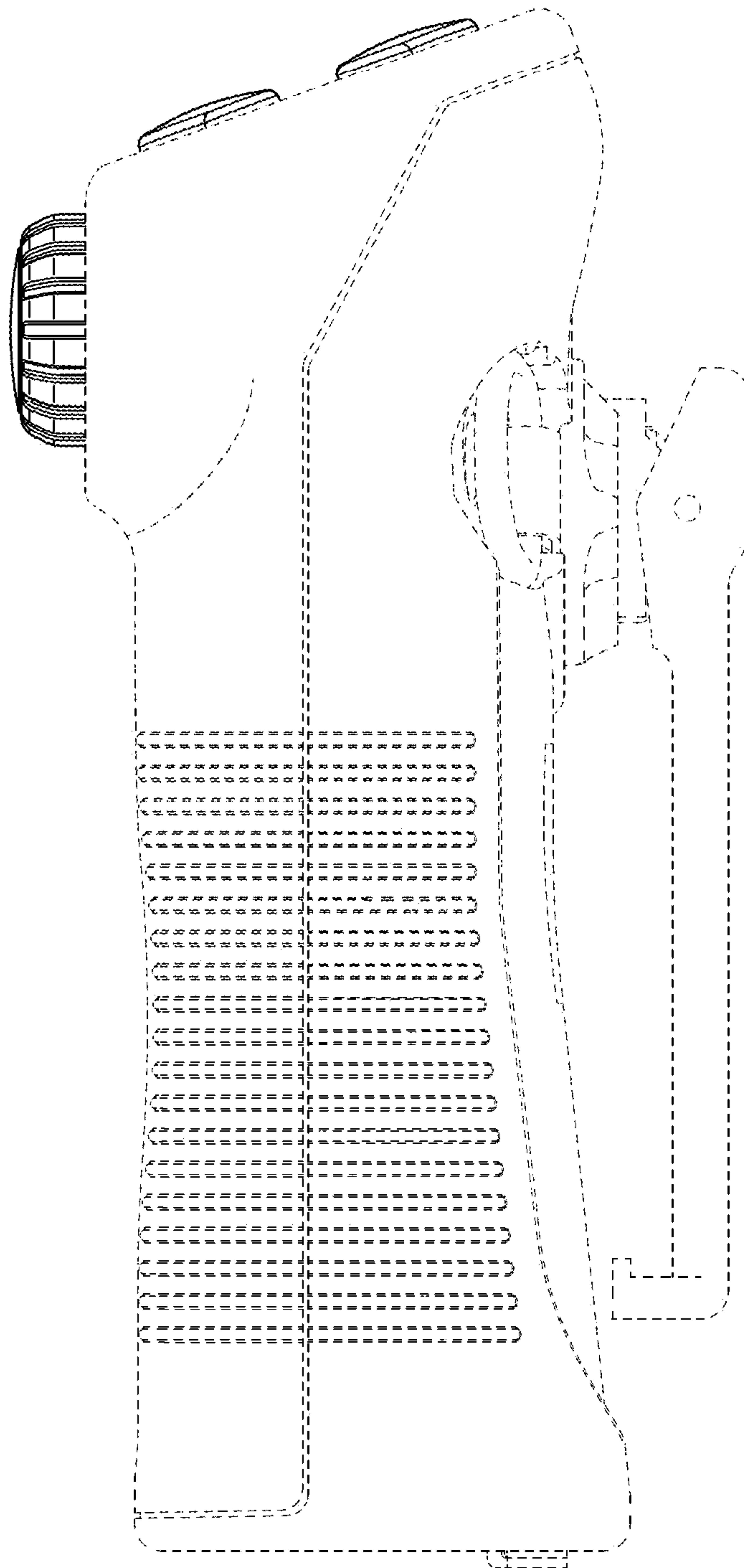


FIG. 4

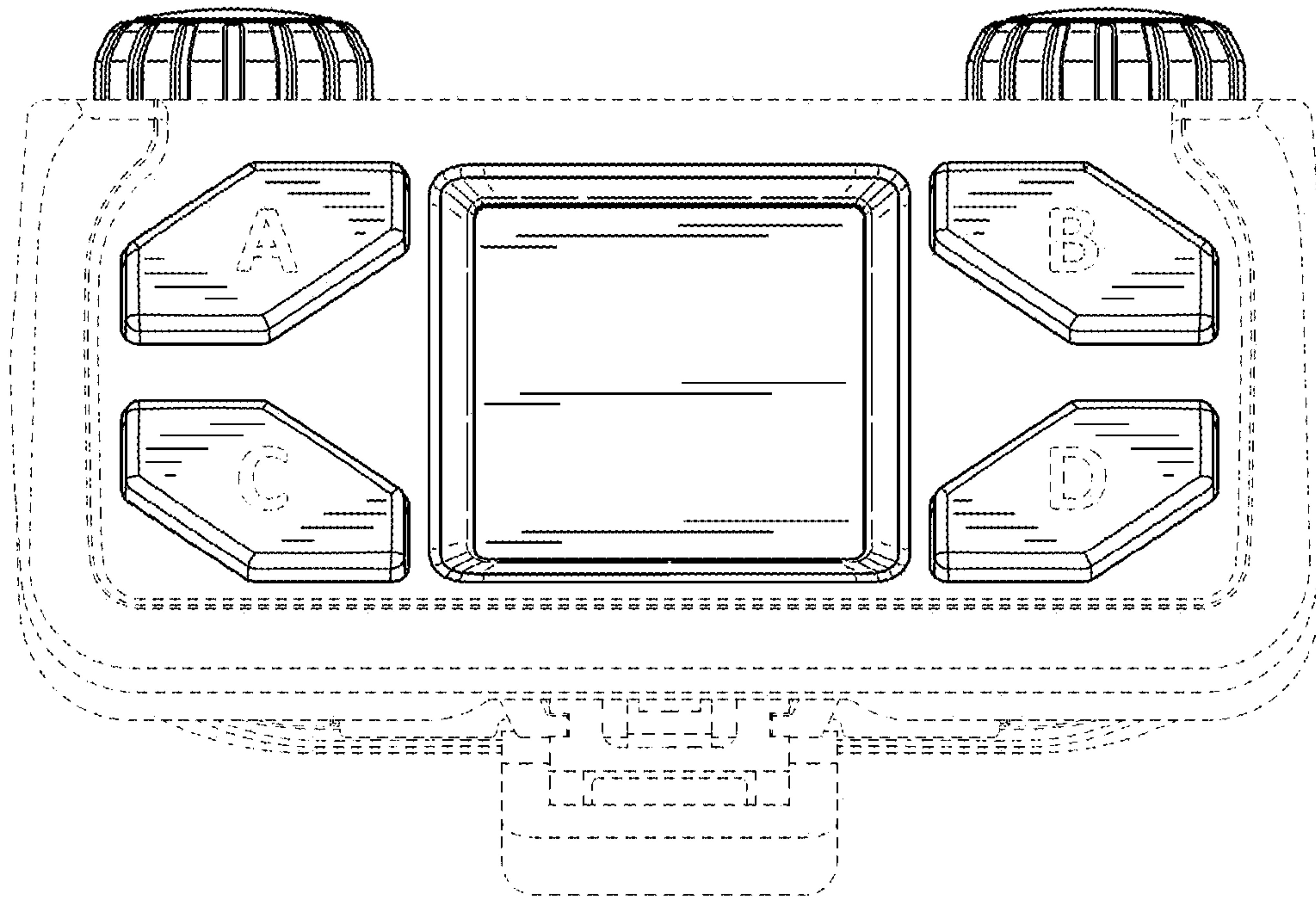


FIG. 5

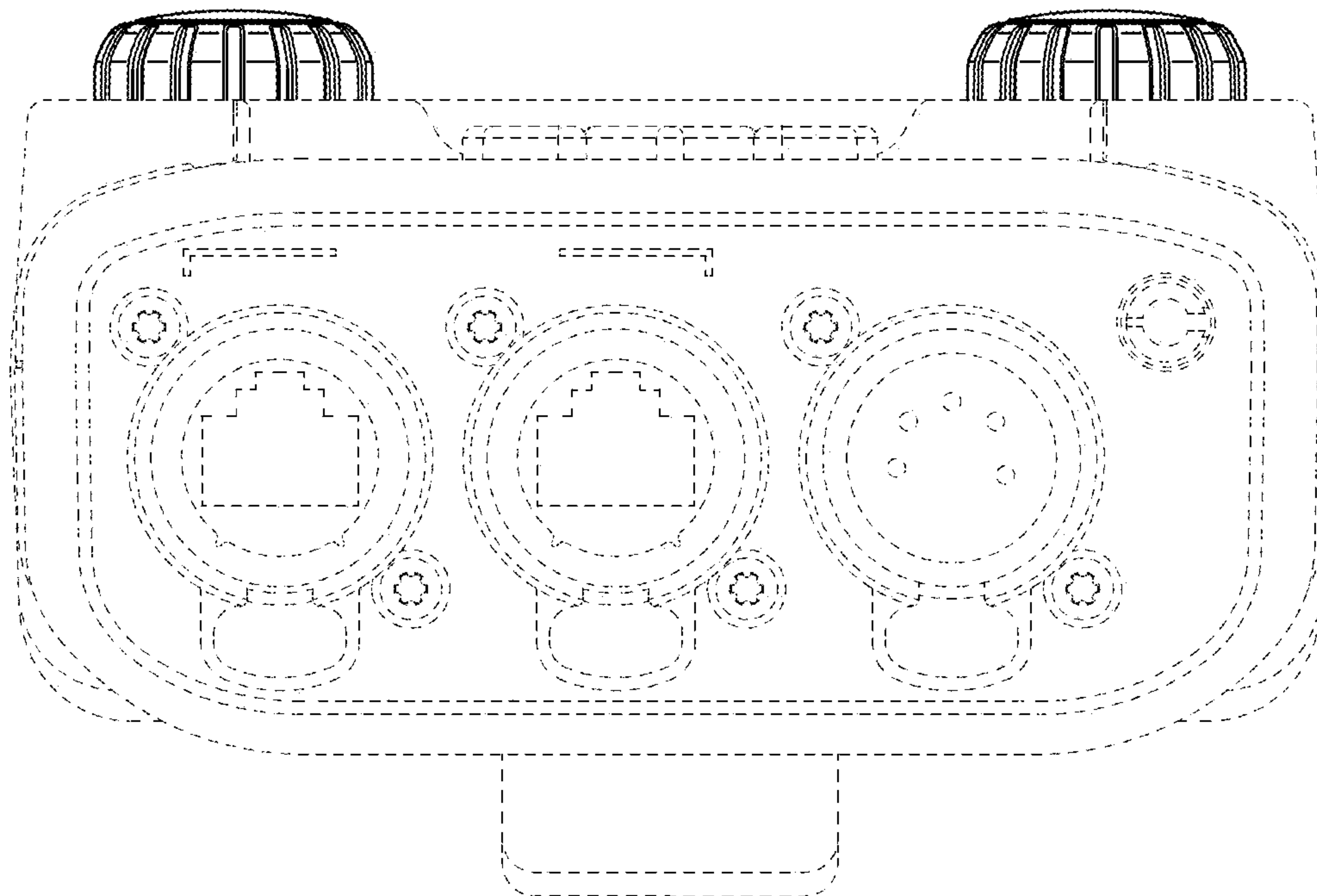


FIG. 6

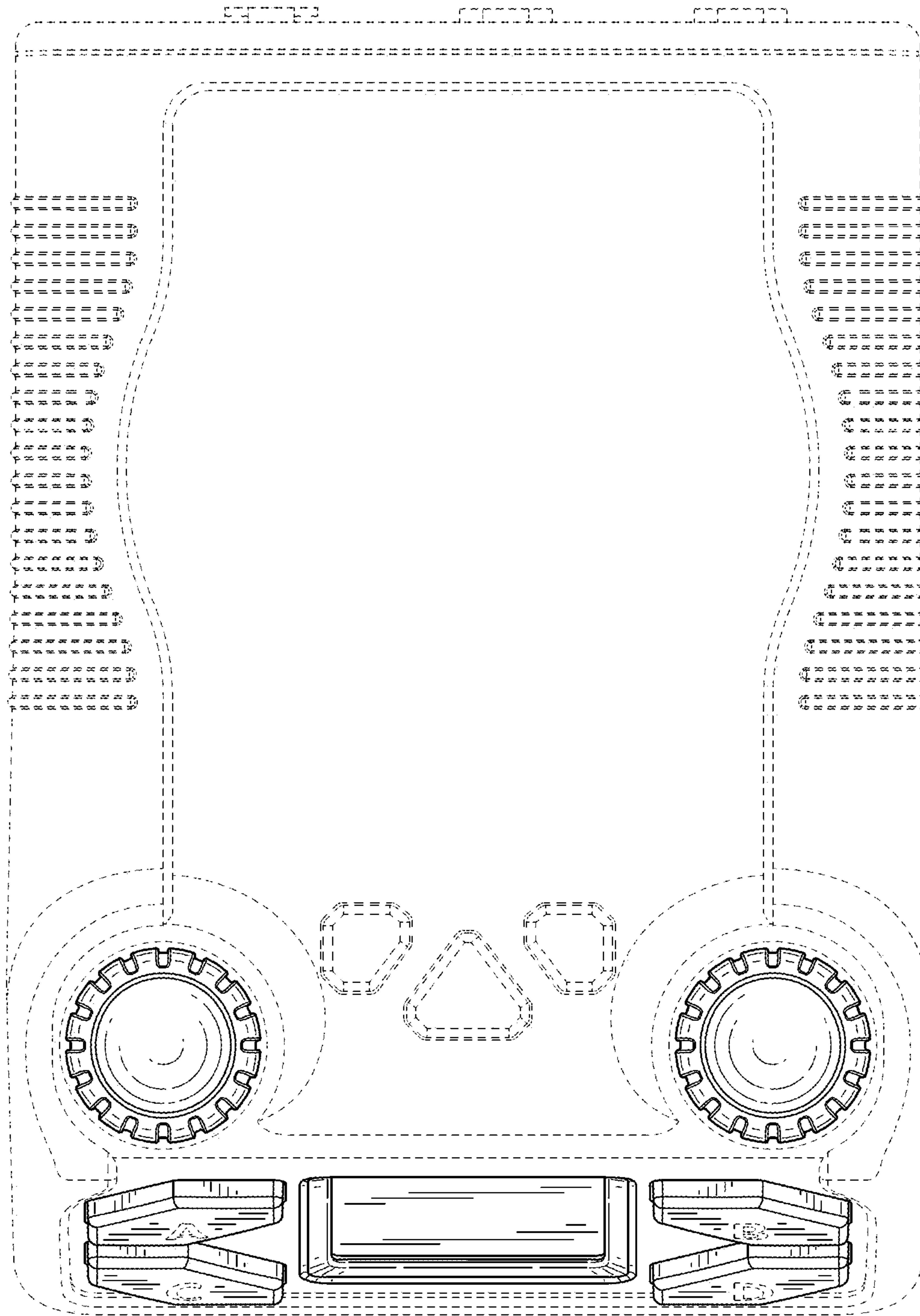


FIG. 7

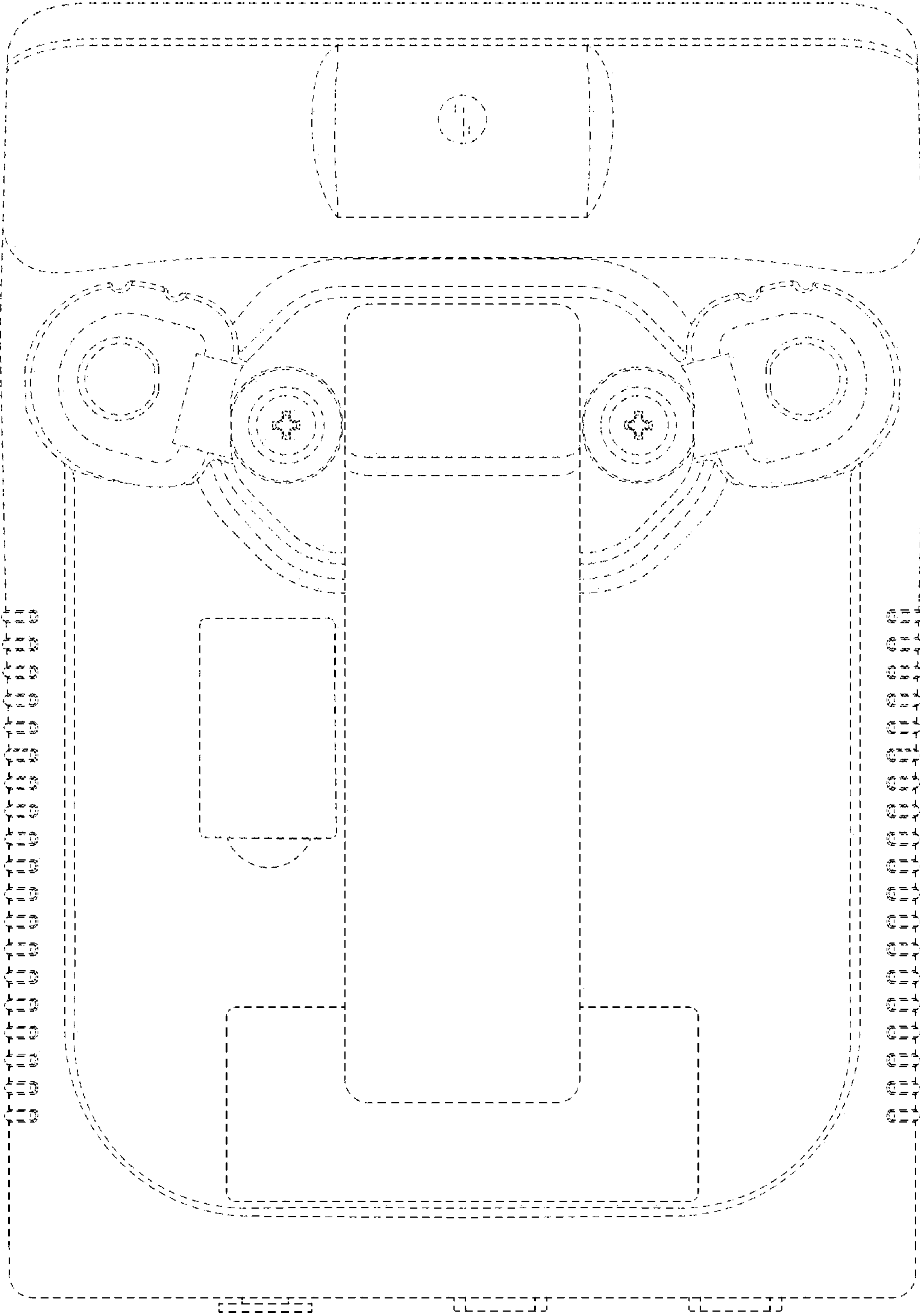


FIG. 8