



US00D965548S

(12) **United States Design Patent** (10) **Patent No.:** **US D965,548 S**  
**Ma et al.** (45) **Date of Patent:** **\*\* Oct. 4, 2022**

(54) **MOBILE PHONE**  
(71) Applicant: **BEIJING XIAOMI MOBILE SOFTWARE CO., LTD.**, Beijing (CN)  
(72) Inventors: **Shuai Ma**, Beijing (CN); **Shengyu Gong**, Beijing (CN)  
(73) Assignee: **BEIJING XIAOMI MOBILE SOFTWARE CO., LTD.**, Beijing (CN)  
(\*\*) Term: **15 Years**

D723,496 S \* 3/2015 Ryu ..... D14/138 G  
D725,090 S \* 3/2015 Bae ..... D14/248  
D729,217 S \* 5/2015 Bae ..... D14/248  
D729,783 S \* 5/2015 Ryu ..... D14/248  
D732,516 S \* 6/2015 Bae ..... D14/248  
D740,265 S \* 10/2015 Joung ..... D14/248  
D761,773 S \* 7/2016 Choi ..... D14/248  
D765,624 S \* 9/2016 Kim ..... D14/248  
D768,634 S \* 10/2016 Akana ..... D14/432  
D782,451 S \* 3/2017 Rouger ..... D14/248  
D782,537 S \* 3/2017 Akana ..... D14/511  
D783,564 S \* 4/2017 Park ..... D14/138 G  
D831,015 S \* 10/2018 Choe ..... D14/248

(Continued)

(21) Appl. No.: **35/510,884**  
(22) Filed: **Nov. 5, 2020**

(80) **Hague Agreement Data**  
Int. Filing Date: **Nov. 5, 2020**  
Int. Reg. No.: **DM/211452**  
Int. Reg. Date: **Nov. 5, 2020**  
Int. Reg. Pub. Date: **Dec. 4, 2020**

(30) **Foreign Application Priority Data**

May 7, 2020 (CN) ..... 202030199318.3  
Jul. 14, 2020 (CN) ..... 202030380898.6

(51) **LOC (13) Cl.** ..... **14-03**  
(52) **U.S. Cl.**  
USPC ..... **D14/138 C**

(58) **Field of Classification Search**  
USPC ..... D14/138 R, 138 AA, 138 AB, 138 AC,  
D14/138 AD, 138 C, 138 G, 203.1, 203.3,  
D14/203.4, 203.7, 248, 341, 345;  
D21/330, 339  
CPC ..... G06F 1/1616; G06F 1/1637; G06F 1/203;  
G06F 1/1681  
See application file for complete search history.

(56) **References Cited**  
U.S. PATENT DOCUMENTS

D646,248 S \* 10/2011 Lee ..... D14/138 G  
D656,118 S \* 3/2012 Kim ..... D14/138 G

**OTHER PUBLICATIONS**

Xiaomi Poco Phone F2 Gets Corvette Vibes in This Design, publication date Dec. 8, 2018, [online] URL: <https://www.concept-phones.com/xiaomi/xiaomi-pocophone-f2-gets-corvette-vibes-in-this-design-video/> (Year: 2018).\*

(Continued)

*Primary Examiner* — L. A. Grabenstetter  
(74) *Attorney, Agent, or Firm* — Amster, Rothstein & Ebenstein LLP

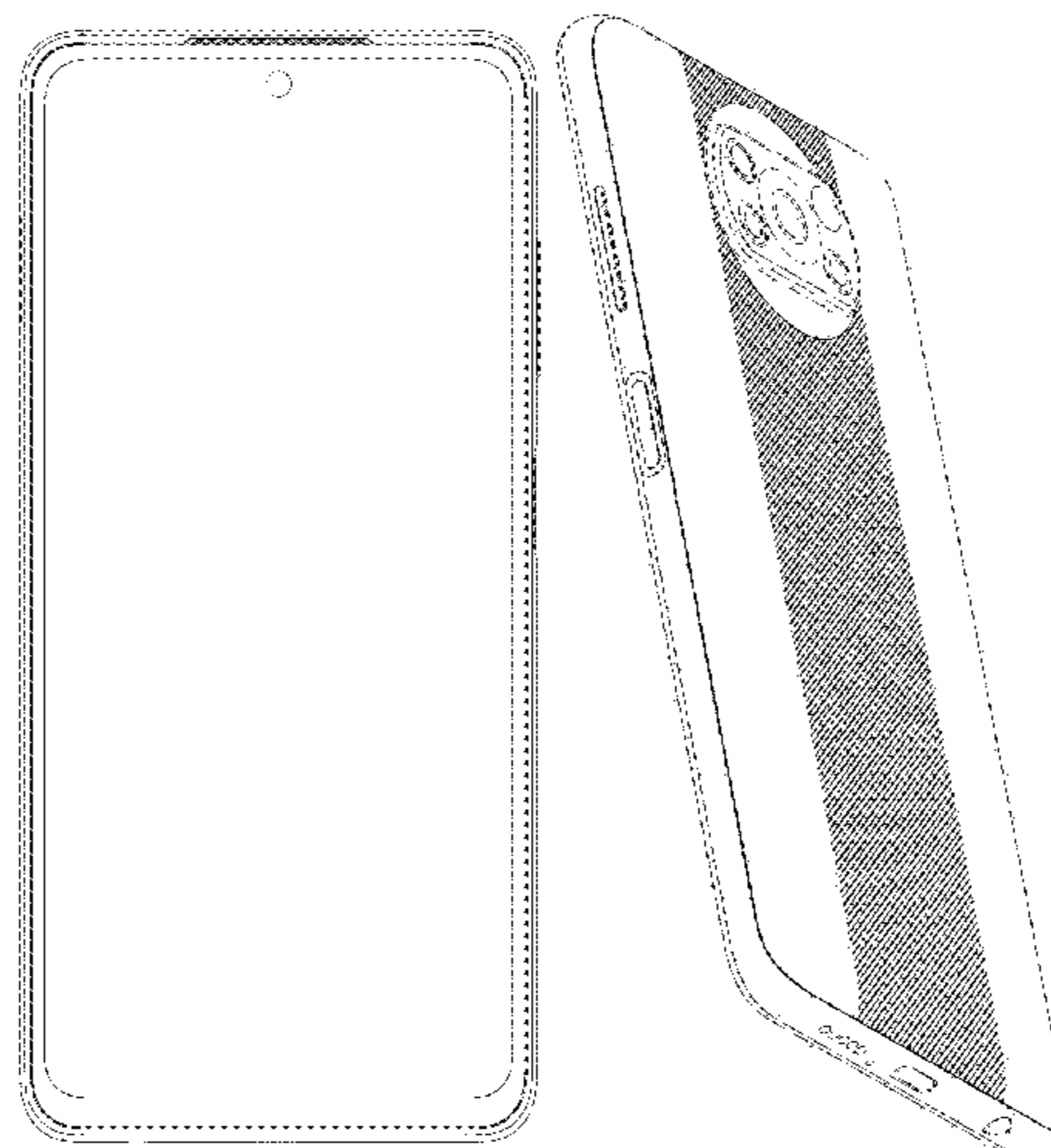
(57) **CLAIM**

The ornamental design for a mobile phone, as shown and described.

**DESCRIPTION**

**4.1** is a front view of a mobile phone, showing our new design;  
**4.2** is a back view of the mobile phone;  
**4.3** is a left view of the mobile phone;  
**4.4** is a right view of the mobile phone;  
**4.5** is a top view of the mobile phone;  
**4.6** is a bottom view of the mobile phone;  
**4.7** is a front perspective view of the mobile phone; and  
**4.8** is a back perspective view of the mobile phone.

**1 Claim, 6 Drawing Sheets**



(56)

**References Cited**

## U.S. PATENT DOCUMENTS

D834,552 S \* 11/2018 Ryu ..... D14/138 G  
D878,344 S \* 3/2020 Wu ..... D14/248  
D886,756 S \* 6/2020 Li ..... D14/138 G  
D892,072 S \* 8/2020 Boucquey ..... D14/138 G  
D896,770 S \* 9/2020 Ma ..... D14/138 G  
D899,410 S \* 10/2020 Xu ..... D14/248  
D900,050 S \* 10/2020 Kim ..... D14/248  
D902,166 S \* 11/2020 Hung ..... D14/138 G  
D909,356 S \* 2/2021 Wang ..... D14/248  
D919,589 S \* 5/2021 Ji ..... D14/138 G  
D924,828 S \* 7/2021 Oh ..... D14/138 G  
D929,357 S \* 8/2021 Guo ..... D14/138 G  
D930,607 S \* 9/2021 Li ..... D14/138 C  
2020/0028951 A1 \* 1/2020 Hummel ..... H04M 1/04

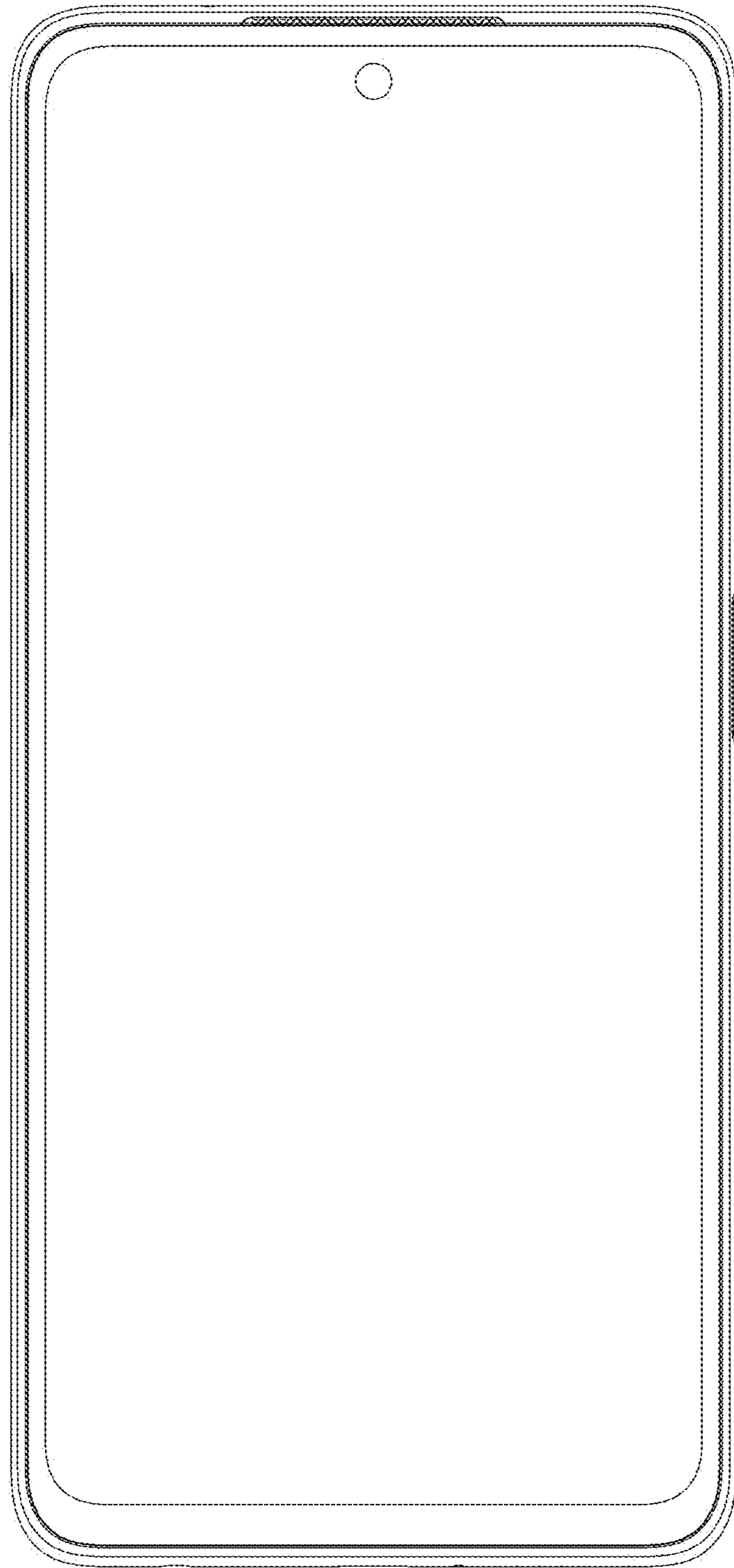
## OTHER PUBLICATIONS

Poco X3 NFC review, publication date Sep. 15, 2020, [online] URL: [https://www.gsmarena.com/poco\\_x3\\_nfc-review-2166p5.php](https://www.gsmarena.com/poco_x3_nfc-review-2166p5.php) (Year: 2020).\*

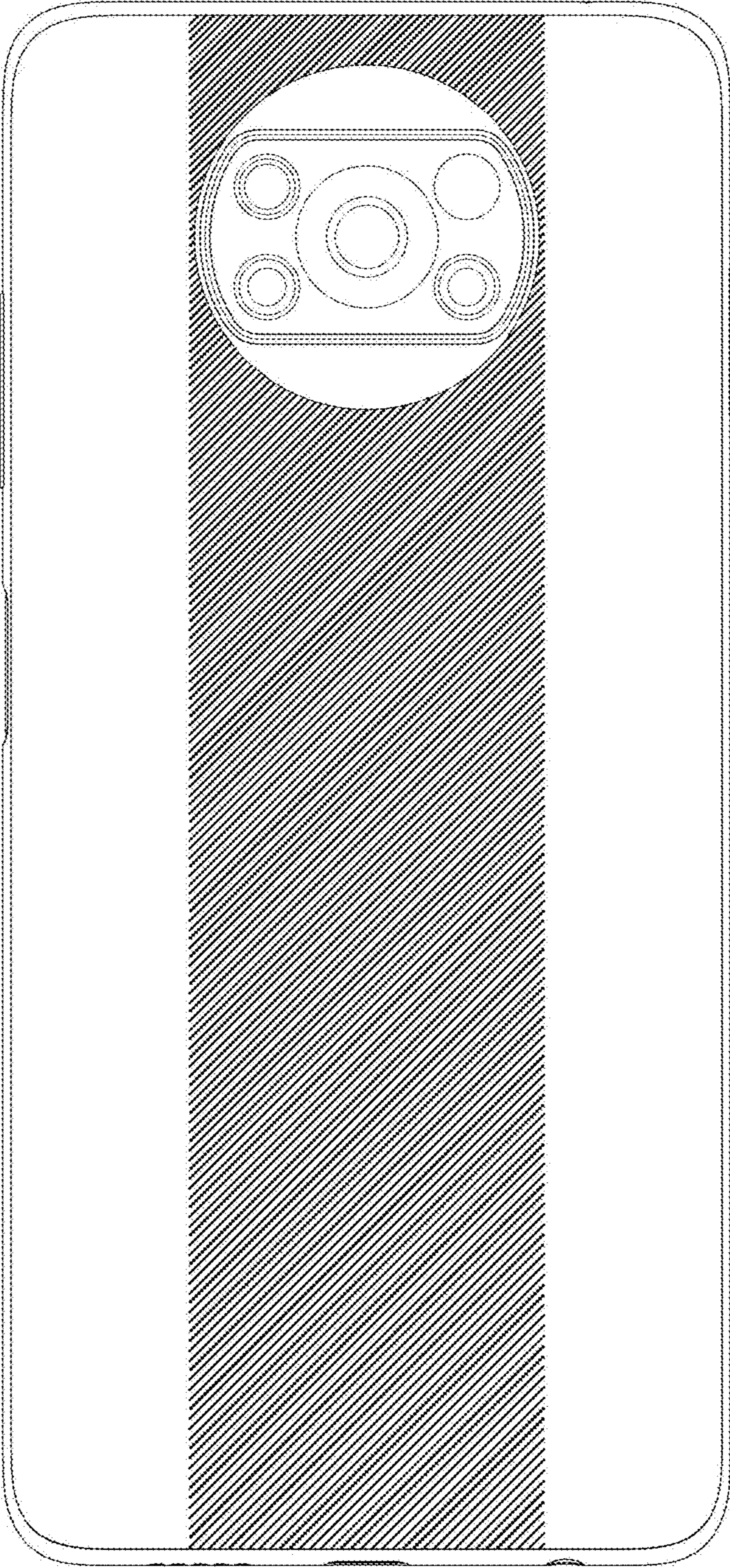
Redmi's Note 9 Pro, publication date Nov. 27, 2020, [online] URL: <https://in.mashable.com/tech/18555/redmi-note-9-pro-has-a-108mp-camera-120hz-display-5g-support> (Year: 2020).\*

Philippe Starck designs smartphone with edge-to-edge screen, publication date Oct. 27, 2016, [online] URL: <https://www.dezeen.com/2016/10/27/philippe-starck-xiaomi-mi-mix-smartphone-edgeless-screen-design-technology-news/> (Year: 2016).\*

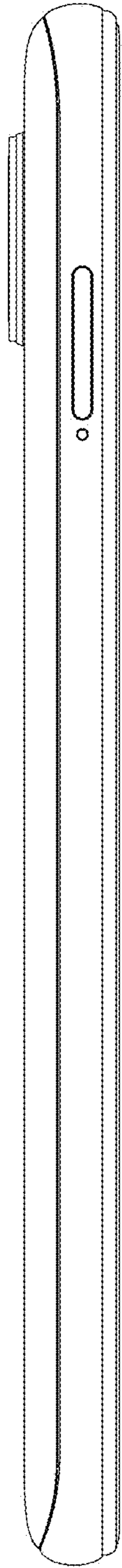
\* cited by examiner



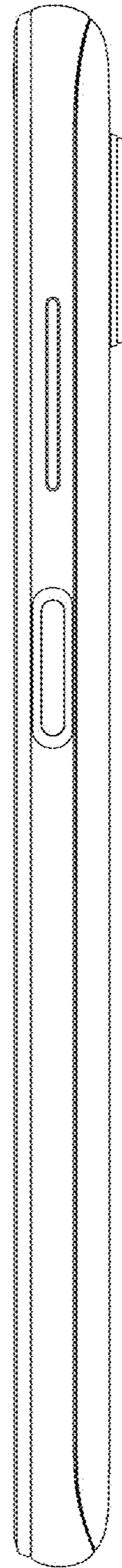
4.1



4.2



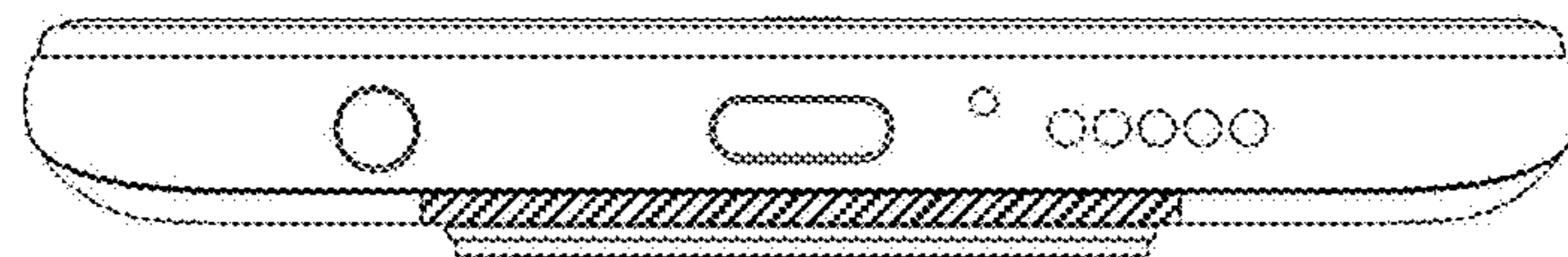
4.3



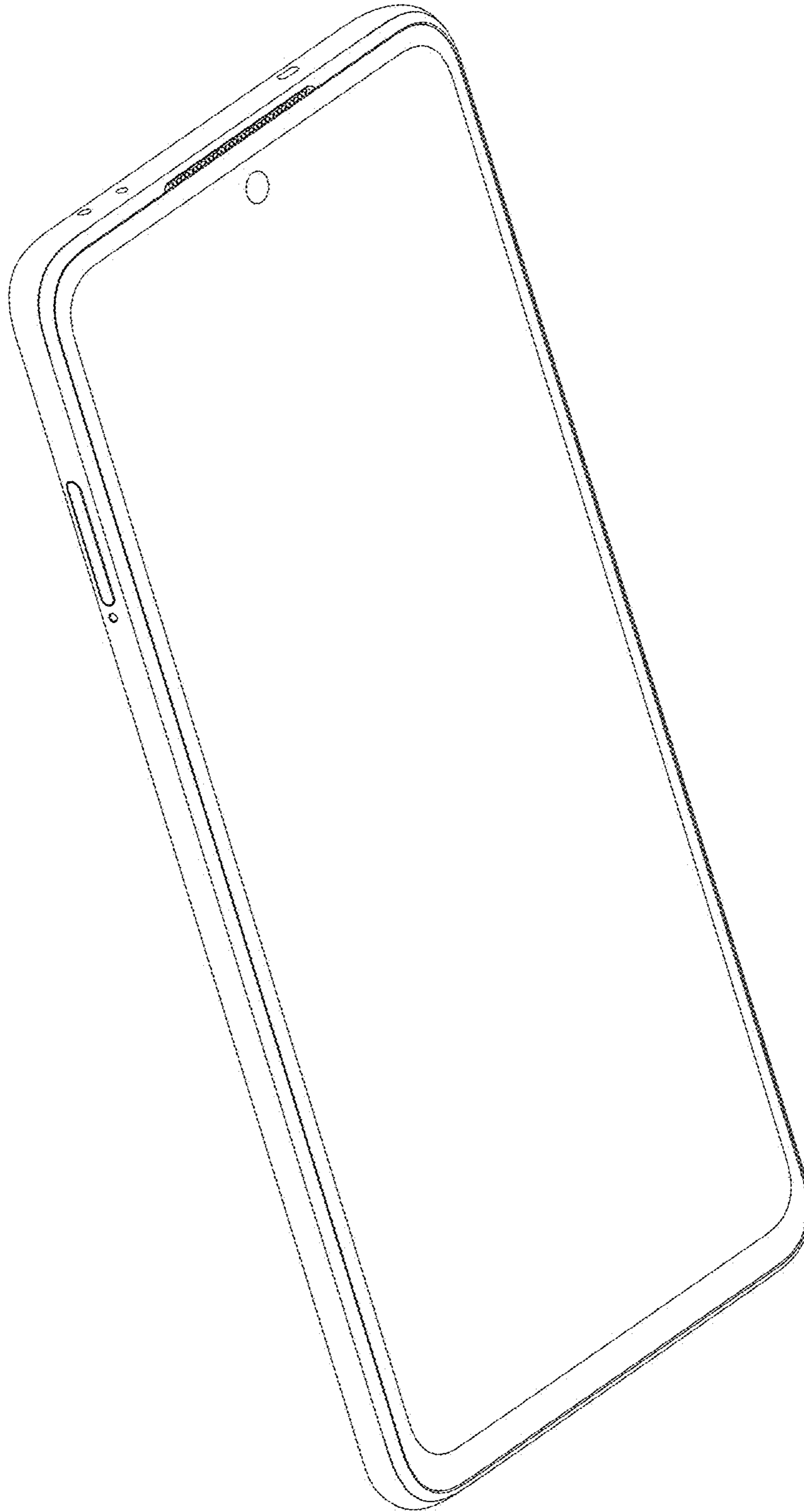
4.4



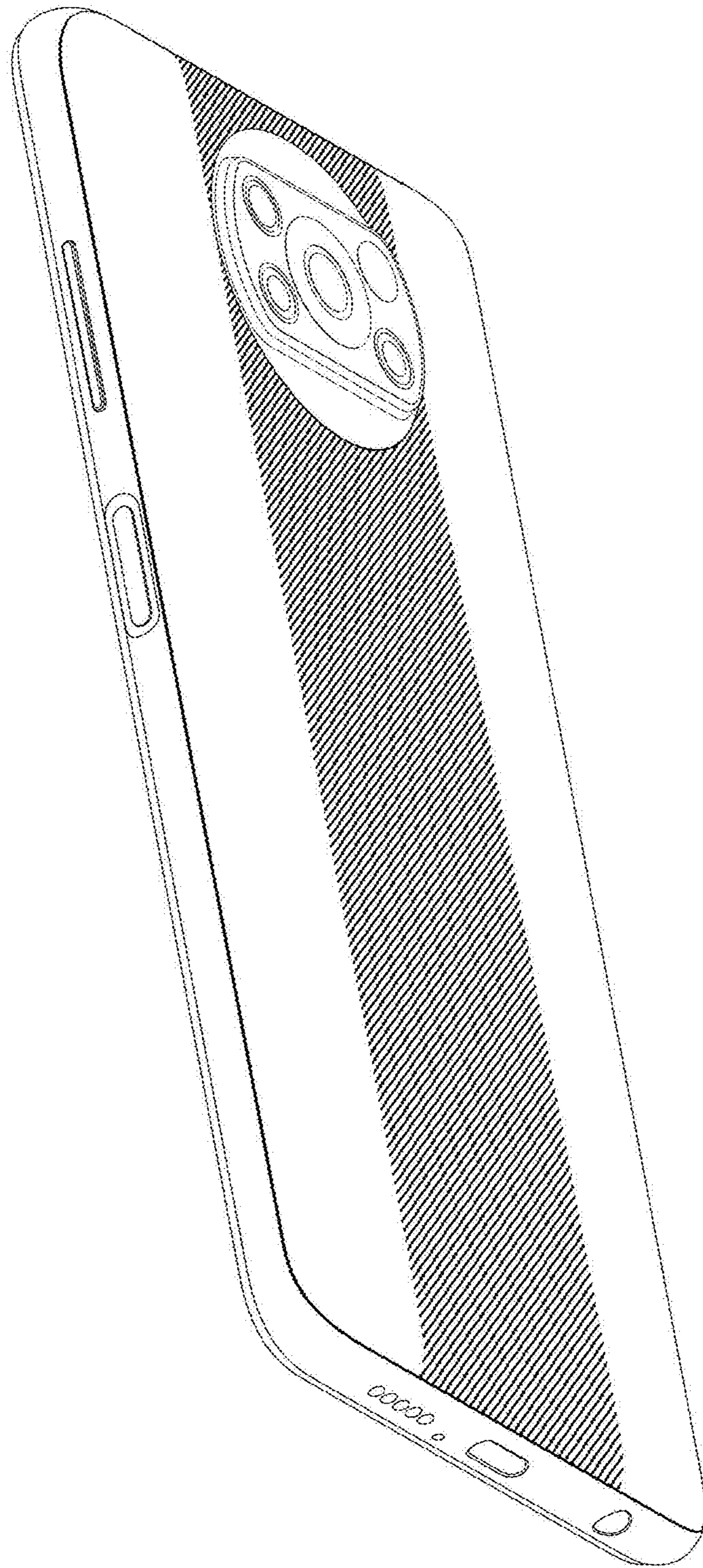
4.5



4.6



4.7



4.8