



US00D965547S

(12) **United States Design Patent** (10) **Patent No.:** **US D965,547 S**
Song et al. (45) **Date of Patent:** **** Oct. 4, 2022**

(54) **ELECTRONIC DEVICE**

(71) Applicant: **Samsung Electronics Co., Ltd.**,
Suwon-si (KR)

(72) Inventors: **Jun-Yong Song**, Suwon-si (KR);
Byoung-Jin Kim, Suwon-si (KR);
Jung-Hyun Choi, Suwon-si (KR);
Woo-Hyeok Jeong, Suwon-si (KR);
Eun-Soo Kim, Suwon-si (KR)

(73) Assignee: **SAMSUNG ELECTRONICS CO., LTD.**,
Suwon-si (KR)

(**) Term: **15 Years**

(21) Appl. No.: **29/803,391**

(22) Filed: **Aug. 12, 2021**

Related U.S. Application Data

(63) Continuation of application No. 29/730,434, filed on
Apr. 3, 2020.

(30) **Foreign Application Priority Data**

Nov. 20, 2019 (KR) 30-2019-0055424

(51) **LOC (13) Cl.** **14-03**

(52) **U.S. Cl.**
USPC **D14/138 AB**

(58) **Field of Classification Search**

USPC D14/341, 342, 345, 348, 426, 138 R,
D14/138 AA, 138 AB, 138 AC, 138 AD,
D14/138 C, 203.3, 203.4, 203.7, 247, 248,
D14/496; D10/50; D21/330; D8/323,
D8/325; D25/199
CPC G06F 3/041; G06F 3/0412; G06F 3/0488;
G06F 3/04883; G06F 1/1613; G06F
1/1686; G06F 1/1626; G06F 1/1692;
G06F 2200/1633; H04M 1/0283; H04M
1/0279;

(Continued)

(56) **References Cited**

U.S. PATENT DOCUMENTS

D622,241 S * 8/2010 Kim D14/138 AB
D767,526 S * 9/2016 Lee D14/138 AB

(Continued)

FOREIGN PATENT DOCUMENTS

CN 306189880 * 11/2020
IN 351727-001-0001 * 12/2021

OTHER PUBLICATIONS

Samsung Galaxy Z Flip, www.gsmarena.com, Feb. 14, 2020. https://www.gsmarena.com/samsung_galaxy_z_flip-10054.php (Year: 2020).*

(Continued)

Primary Examiner — Llorellys Martinez

Assistant Examiner — Kwabena A. Ankobiah

(74) *Attorney, Agent, or Firm* — McAndrews Held &
Malloy, Ltd.

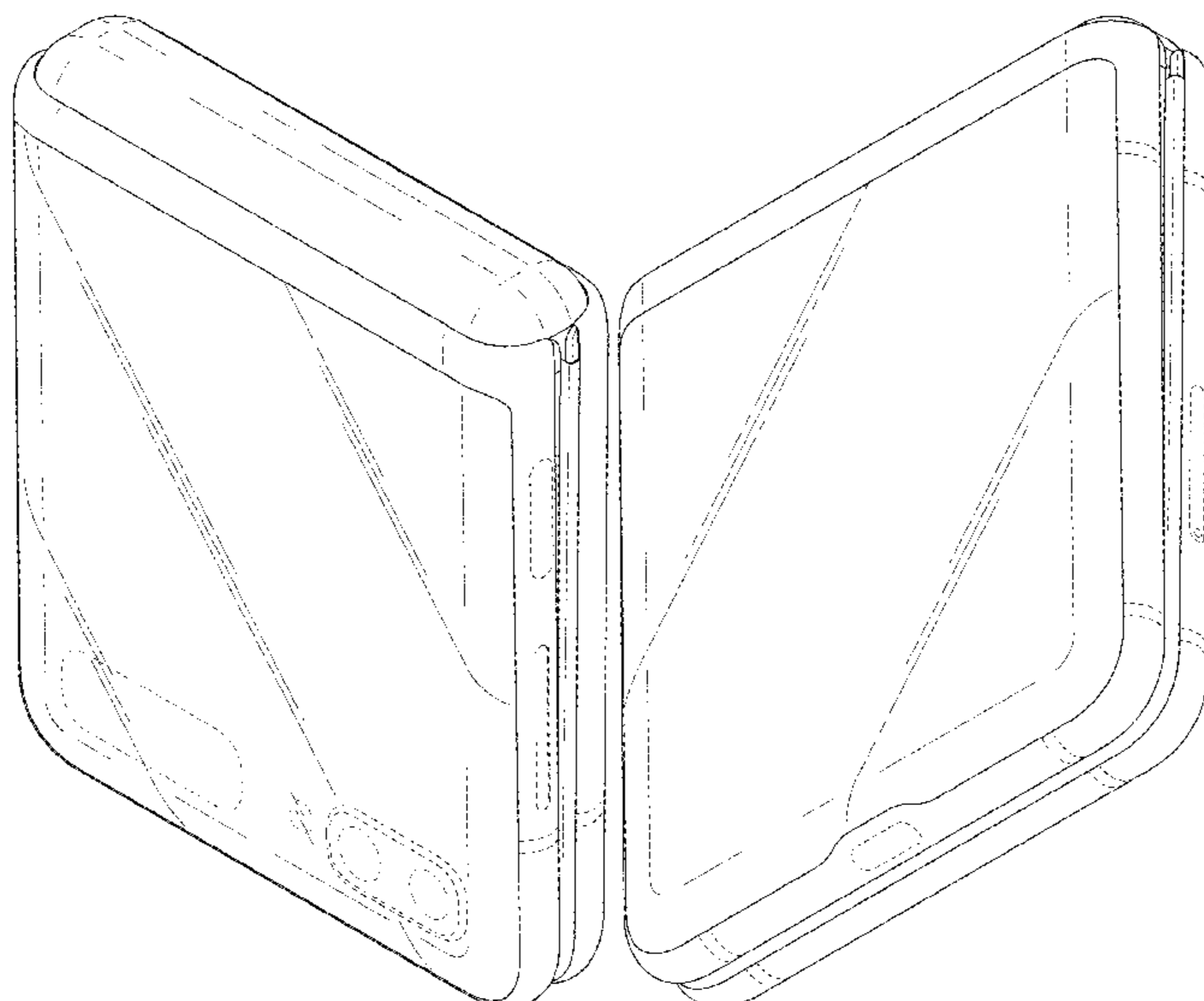
(57) **CLAIM**

The ornamental design for an electronic device, as shown
and described.

DESCRIPTION

FIG. 1 is a front perspective view of an electronic device
showing our new design;
FIG. 2 is a front elevation view thereof;
FIG. 3 is a rear elevation view thereof;
FIG. 4 is a left side elevation view thereof;
FIG. 5 is a right side elevation view thereof;
FIG. 6 is a top plan view thereof;
FIG. 7 is a bottom plan view thereof; and,
FIG. 8 is a rear perspective view thereof.
The dashed broken lines in the figures illustrate portions of
the electronic device that form no part of the claimed design.

1 Claim, 8 Drawing Sheets



(58) **Field of Classification Search**

CPC ... H04M 1/0202; H04M 1/0266; H04M 1/027
See application file for complete search history.

(56) **References Cited**

U.S. PATENT DOCUMENTS

D782,436 S * 3/2017 Kwak D14/345
D788,726 S * 6/2017 Lee D14/138 AB
D825,518 S * 8/2018 Kikuchi D14/345
D827,604 S * 9/2018 Seo D14/138 AD
D828,318 S * 9/2018 Seo D14/138 AD
D828,319 S * 9/2018 Seo D14/138 AD
D828,343 S * 9/2018 Seo D14/248
D903,621 S * 12/2020 Kim D14/138 AB
D904,380 S * 12/2020 Seo D14/248
D920,314 S * 5/2021 Seo D14/248
D926,150 S * 7/2021 Xie D14/138 AB
D926,183 S * 7/2021 Lim D14/341
D926,738 S * 8/2021 Seo D14/248
D934,213 S * 10/2021 Seo D14/248
D938,929 S * 12/2021 Pereira D14/138 AB
D953,282 S * 5/2022 Song D14/138 AB
D957,377 S * 7/2022 Seo D14/248
D957,378 S * 7/2022 Seo D14/248
D957,382 S * 7/2022 Song D14/248

OTHER PUBLICATIONS

Samsung Galaxy Z Flip Review, www.theverge.com, Feb. 21, 2020.
<https://www.theverge.com/2020/2/21/21146465/samsung-galaxy-z-flip-review-folding-glass-flip-phone-screen-camera-price> (Year: 2020).*
Galaxy Z Flip Design & Specs Rumors, www.samma3a.com, Feb. 9, 2020. <https://www.samma3a.com/tech/en/galaxy-z-flip-rumors/> (Year: 2020).*

* cited by examiner

FIG. 1

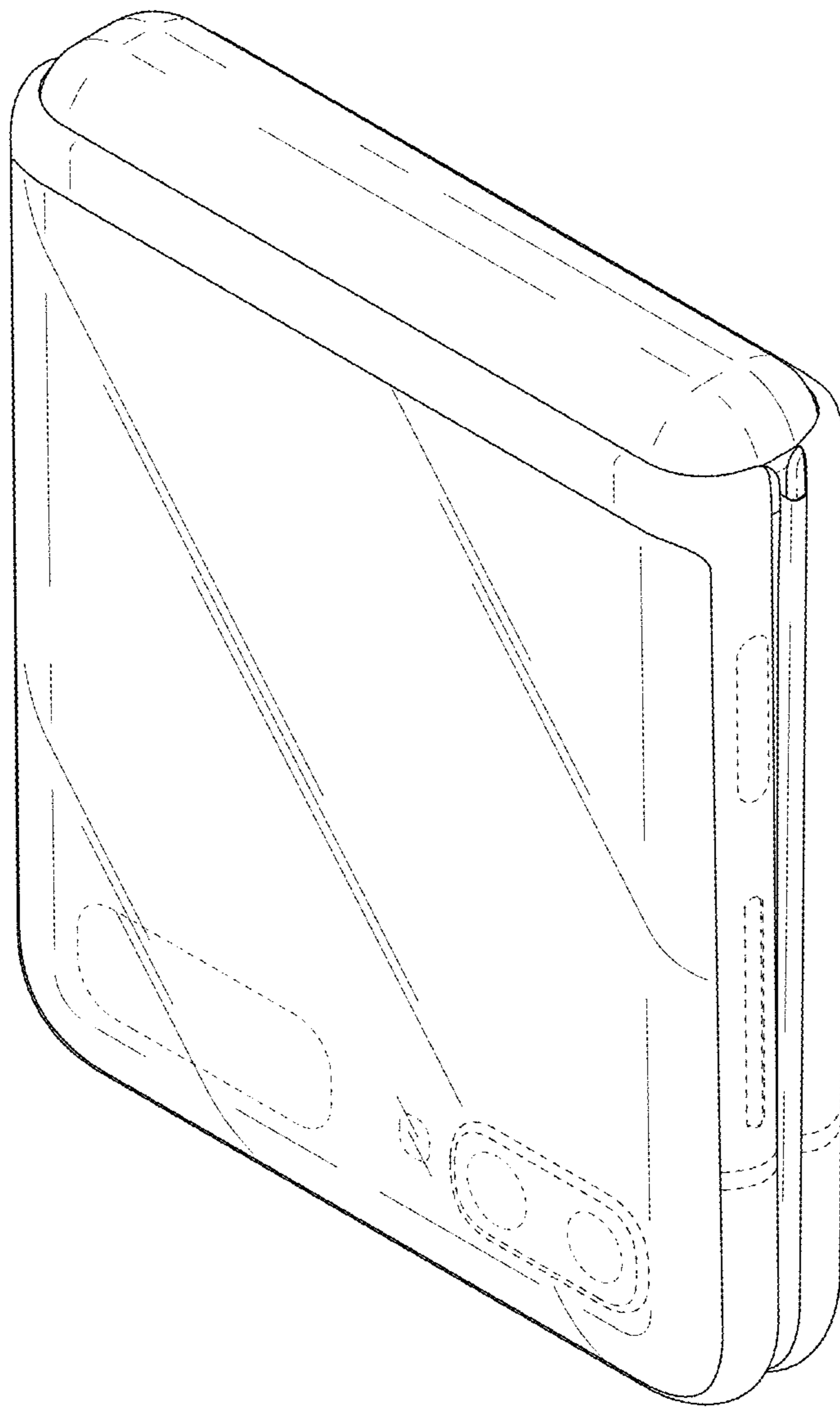


FIG. 2

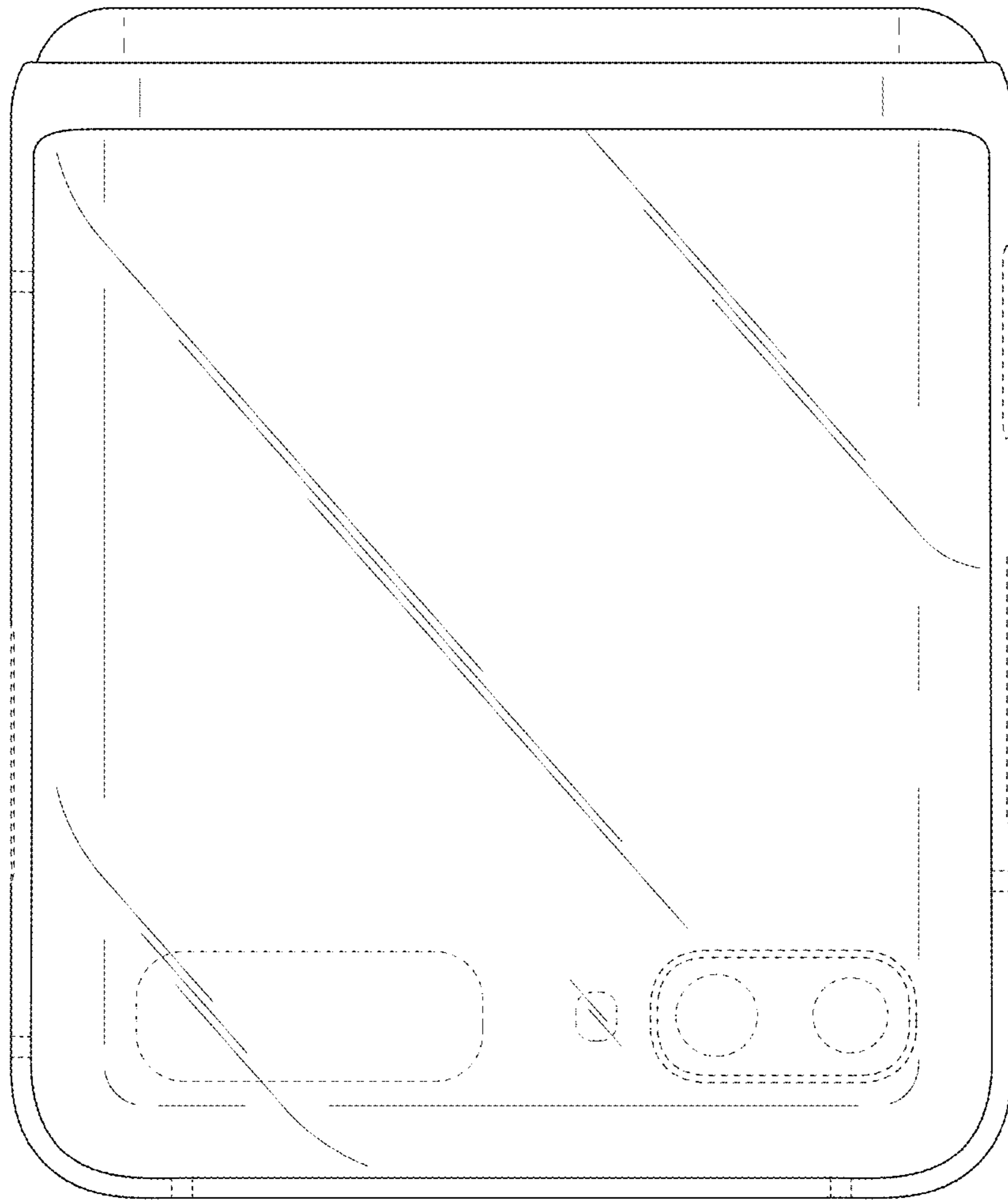


FIG. 3

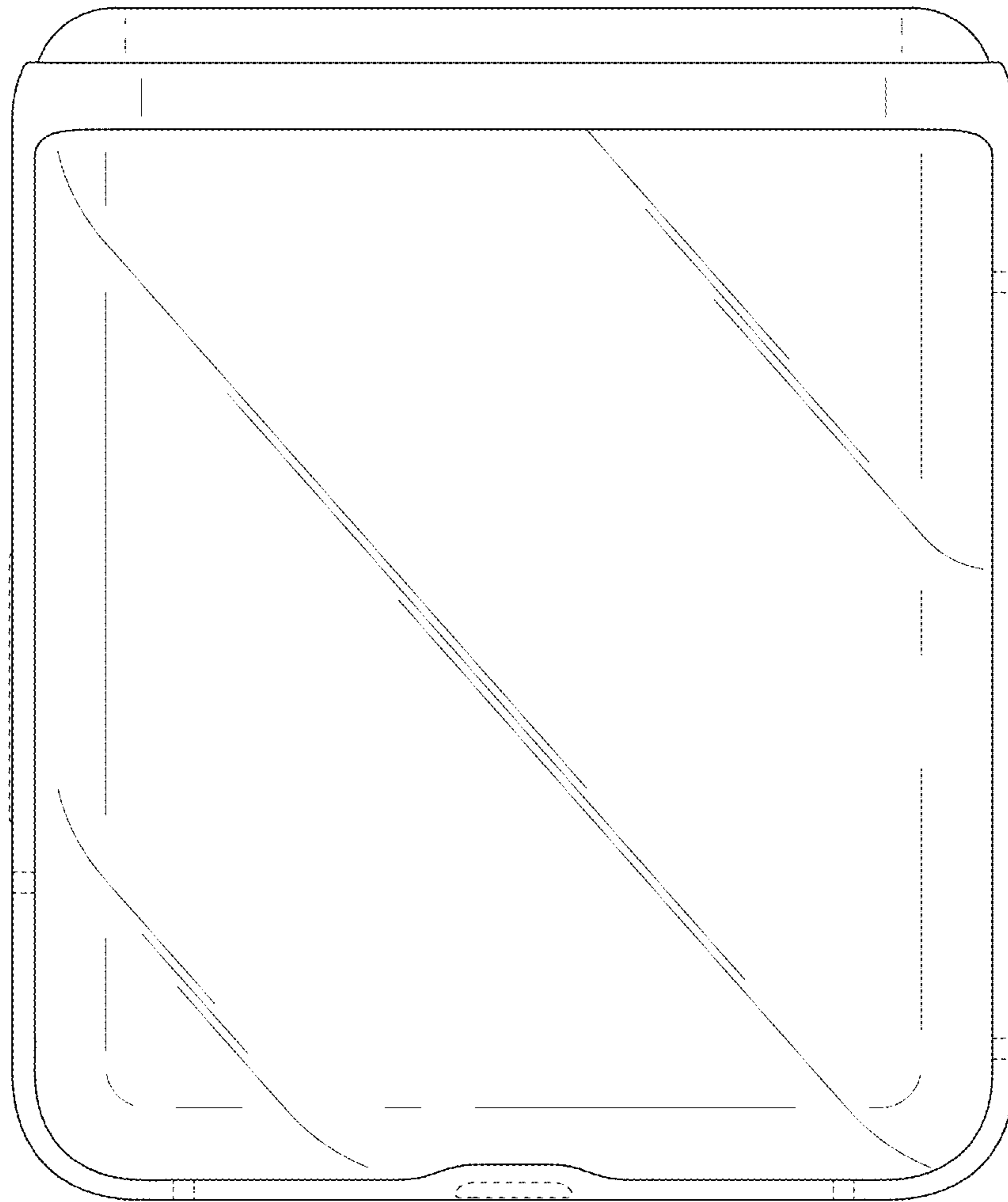


FIG. 4

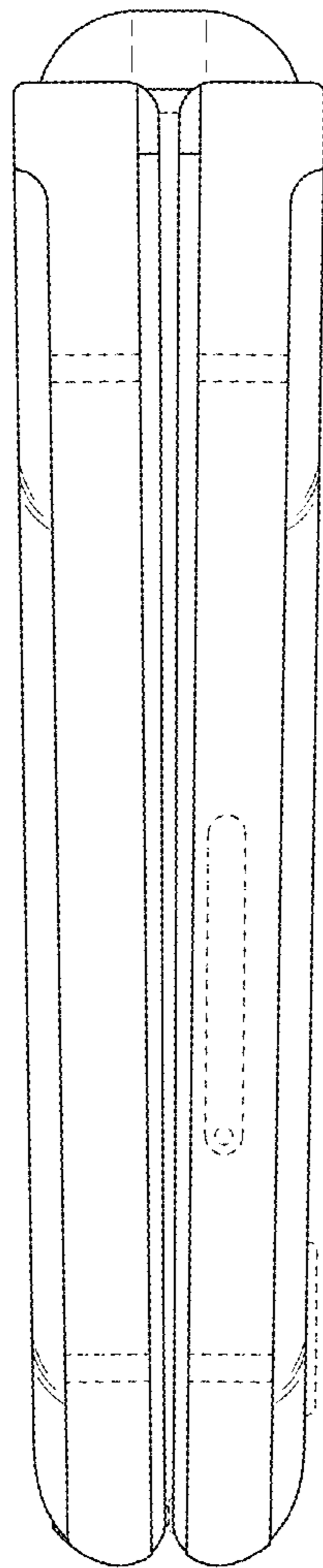


FIG. 5

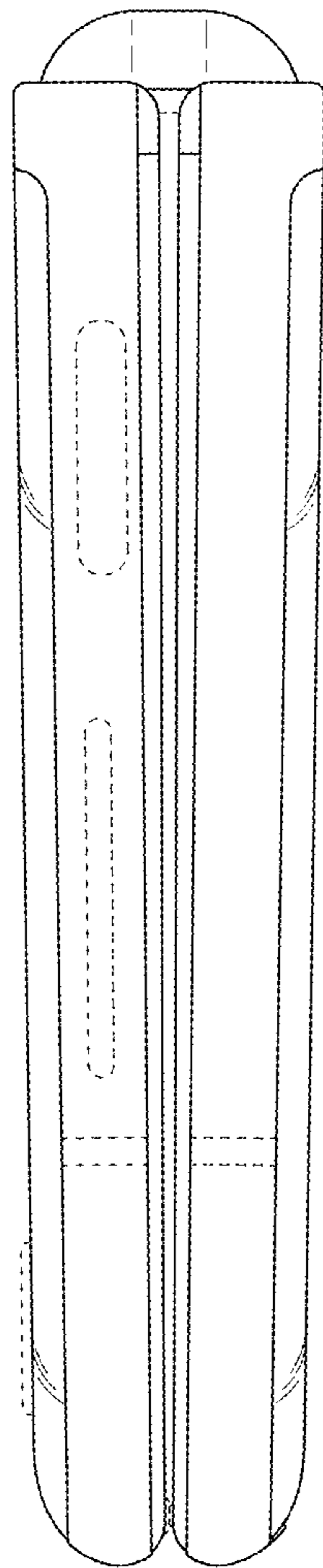


FIG. 6

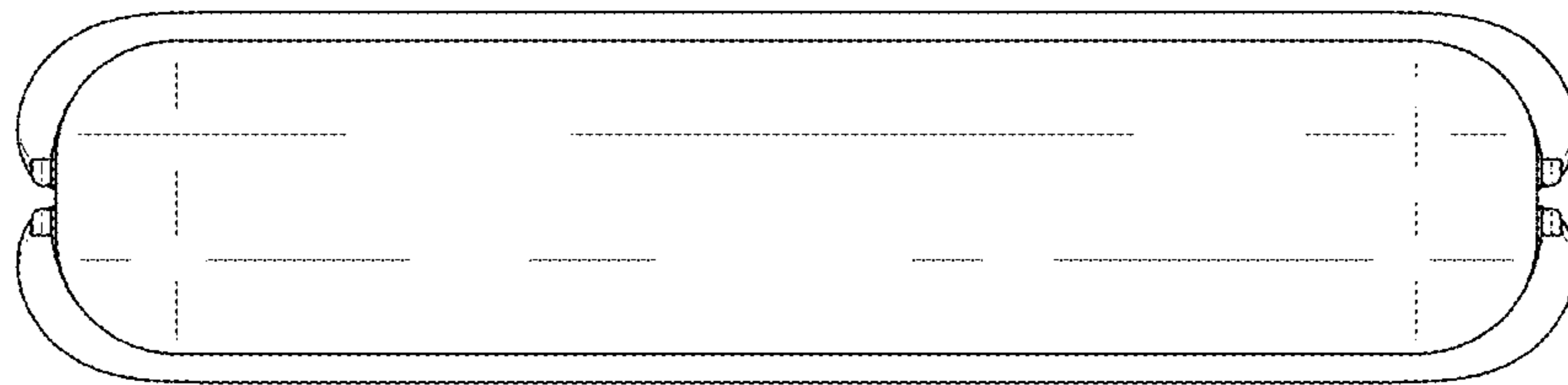


FIG. 7

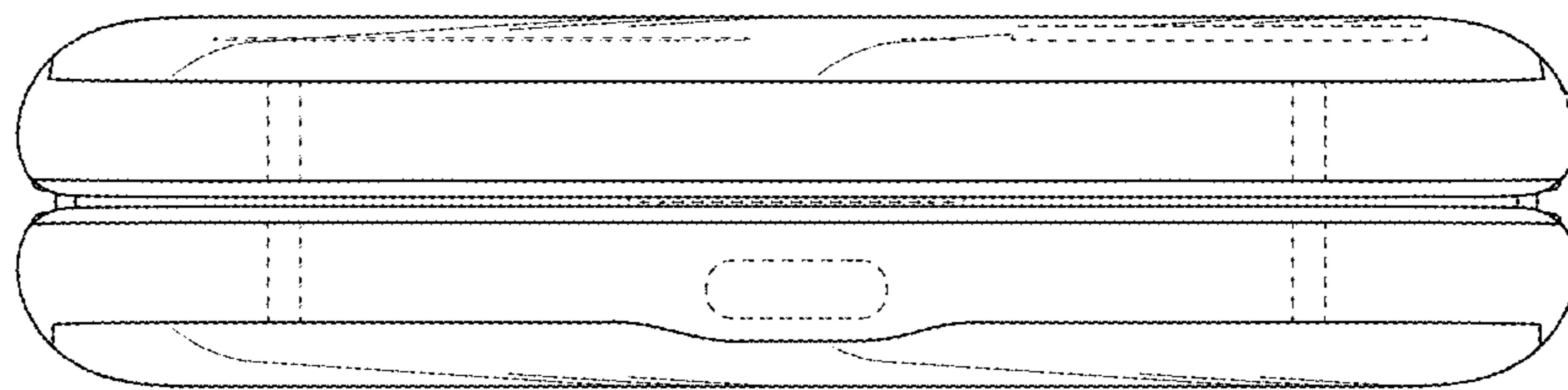


FIG. 8

