



US00D965541S

(12) **United States Design Patent**  
**Wang**

(10) **Patent No.:** **US D965,541 S**

(45) **Date of Patent:** **\*\* Oct. 4, 2022**

(54) **HEAT SINK**

(71) Applicant: **Yizhou Wang, Yuyao (CN)**

(72) Inventor: **Yizhou Wang, Yuyao (CN)**

(\*\*) Term: **15 Years**

(21) Appl. No.: **29/823,766**

(22) Filed: **Jan. 19, 2022**

(51) **LOC (13) Cl.** ..... **13-03**

(52) **U.S. Cl.**

USPC ..... **D13/179**

(58) **Field of Classification Search**

USPC ..... D13/179

CPC ... F28F 2215/00; F28F 2215/08; H01L 23/40;

H01L 23/367

See application file for complete search history.

(56) **References Cited**

**U.S. PATENT DOCUMENTS**

D281,969 S *	12/1985	Moeller	.....	D13/184
D464,939 S	10/2002	Chuang et al.		
D613,258 S *	4/2010	Walker	.....	D13/179
D638,376 S *	5/2011	Herrmann	.....	D13/179
D722,575 S *	2/2015	Zimmer	.....	D13/179
D892,753 S	8/2020	Hu et al.		
D904,323 S *	12/2020	Van Gaal	.....	D13/179
D924,186 S *	7/2021	Feng	.....	D13/179

2018/0173281 A1 *	6/2018	Lin	.....	H01L 23/4006
2019/0109069 A1 *	4/2019	Yamada	.....	H01L 23/3677
2019/0383566 A1 *	12/2019	Lu	.....	F28F 13/06

**OTHER PUBLICATIONS**

Amazon, "Graugear PS5 M.2 NVMe SSD Heatsink . . .", First on sale May 30, 2022. (<https://www.amazon.com/dp/B0B2PQKB1X/>) (Year: 2022).\*

Amazon, "ElecGear PS5 NVMe SSD Heatsink . . .", First on sale Jun. 1, 2021. (<https://www.amazon.com/ElecGear-Heatsink-EL-P5C-Playstation-Re-Designed/dp/B096K4WKV9>) (Year: 2021).\*

\* cited by examiner

*Primary Examiner* — April Rivas

(57) **CLAIM**

The ornamental design for a heat sink, as shown and described.

**DESCRIPTION**

FIG. 1 is a perspective view of a heat sink showing my new design;

FIG. 2 is another perspective view thereof;

FIG. 3 is a front elevational view thereof;

FIG. 4 is a rear elevational view thereof;

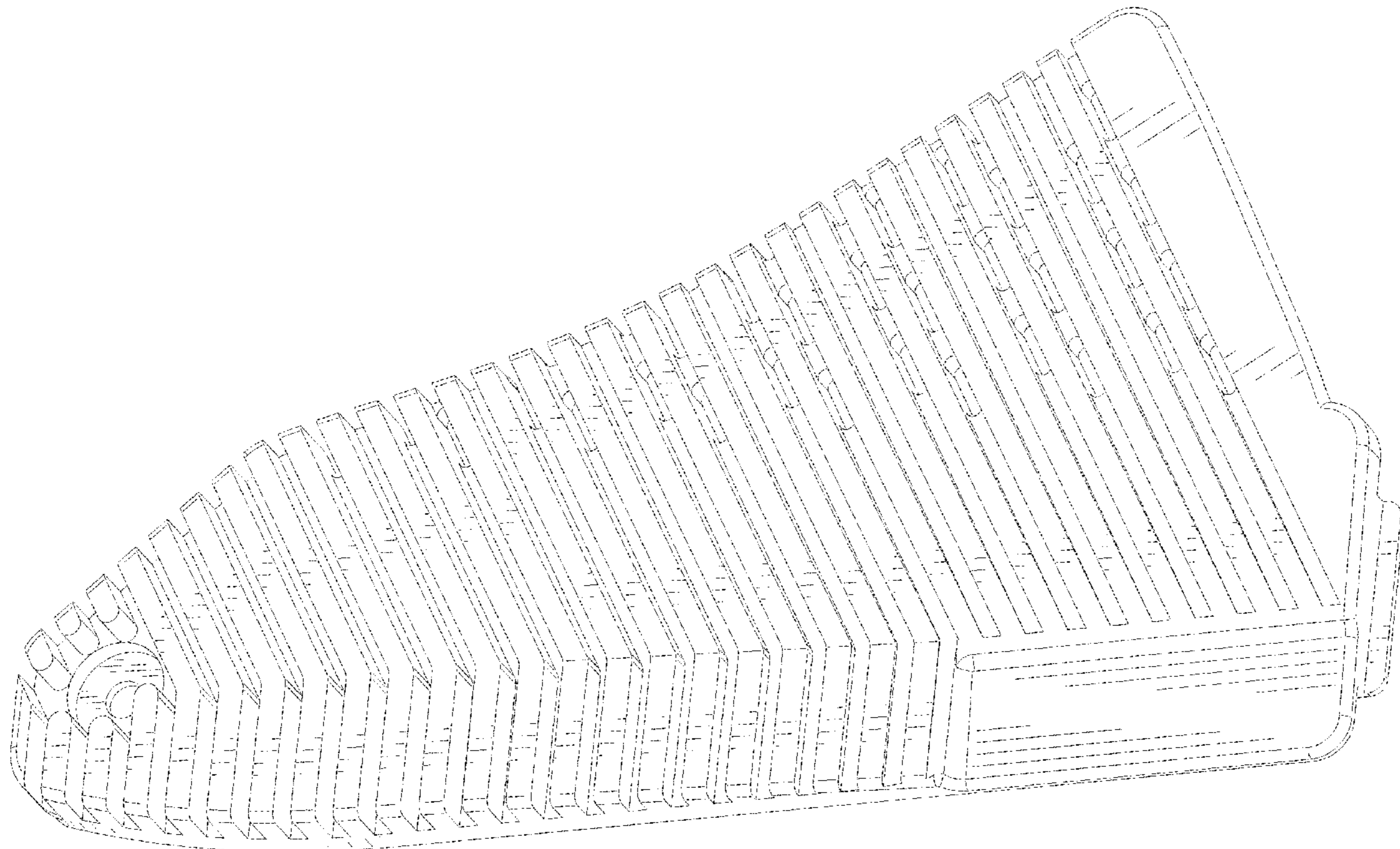
FIG. 5 is a left side elevational view thereof;

FIG. 6 is a right side elevational view thereof;

FIG. 7 is a top plan view thereof; and,

FIG. 8 is a bottom plan view thereof.

**1 Claim, 8 Drawing Sheets**



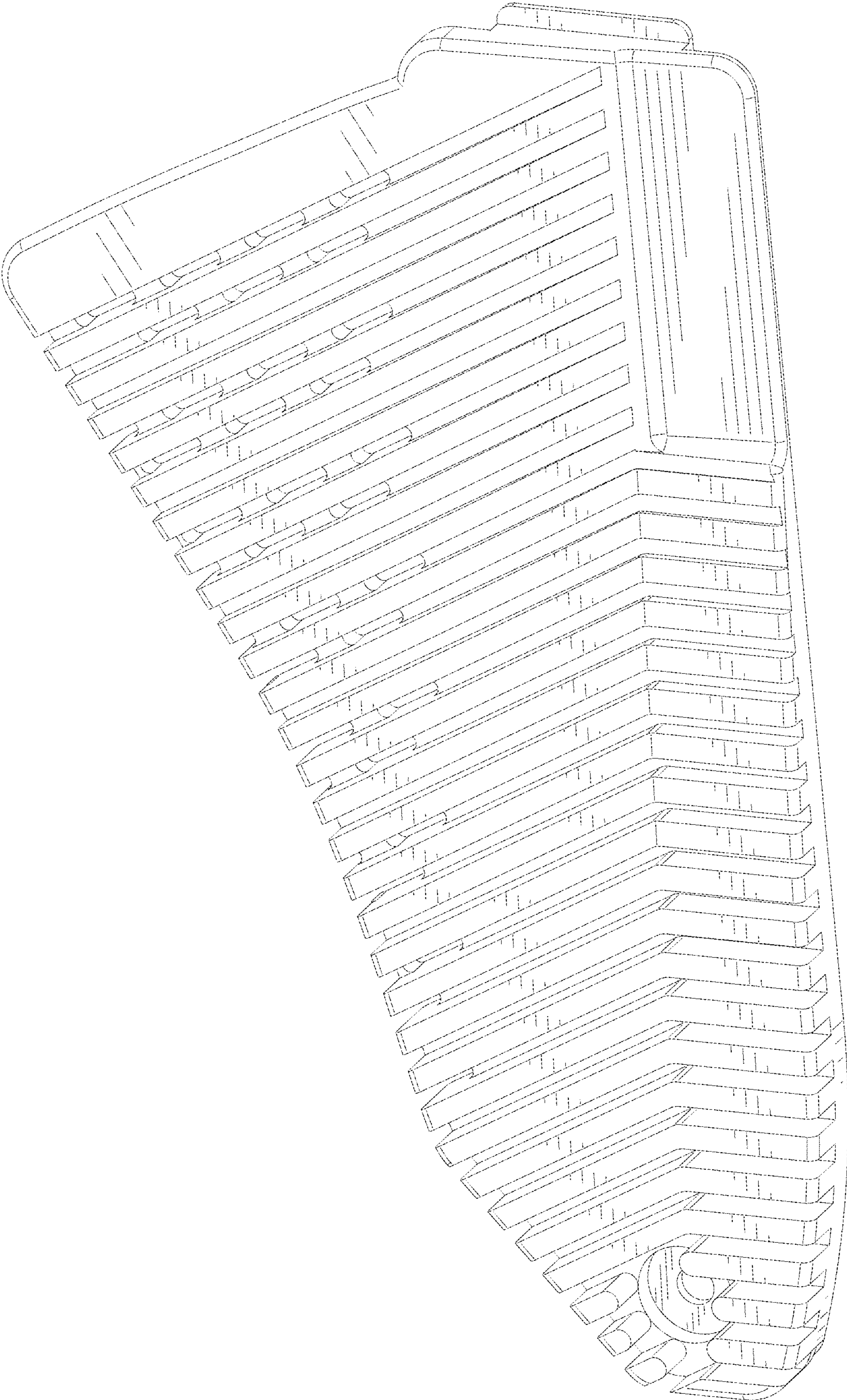


FIG. 1

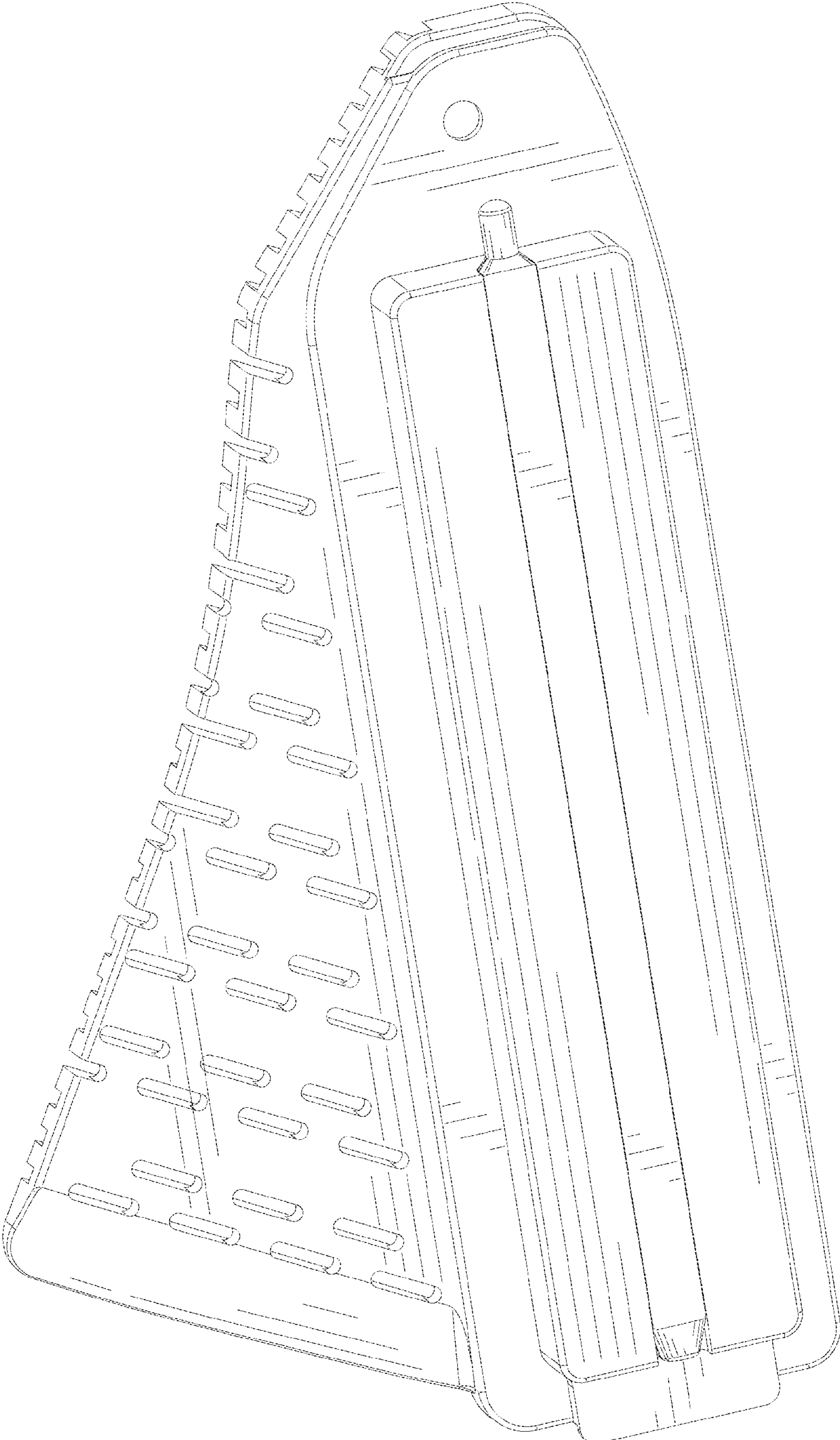


FIG. 2



FIG. 3

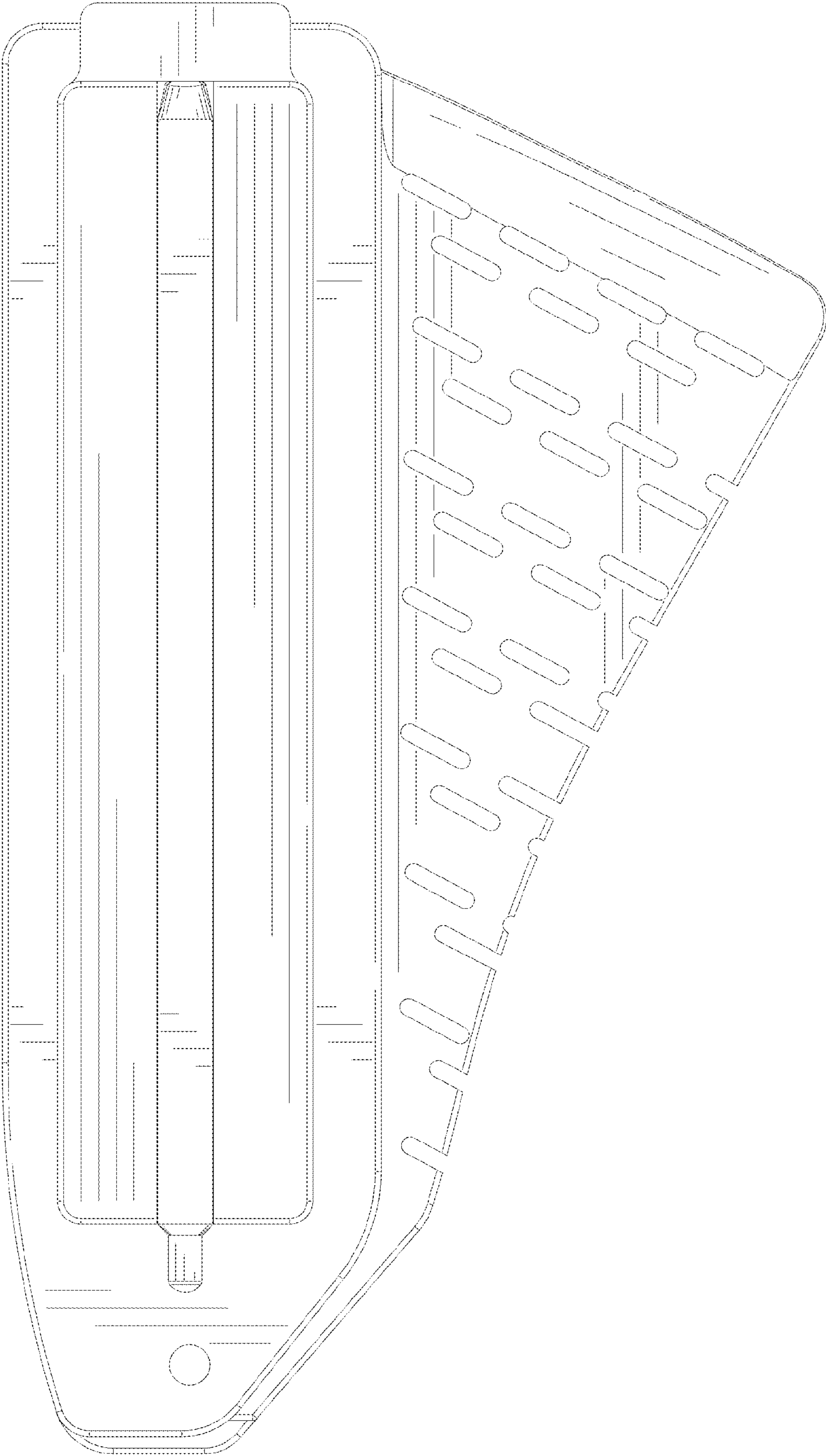


FIG. 4

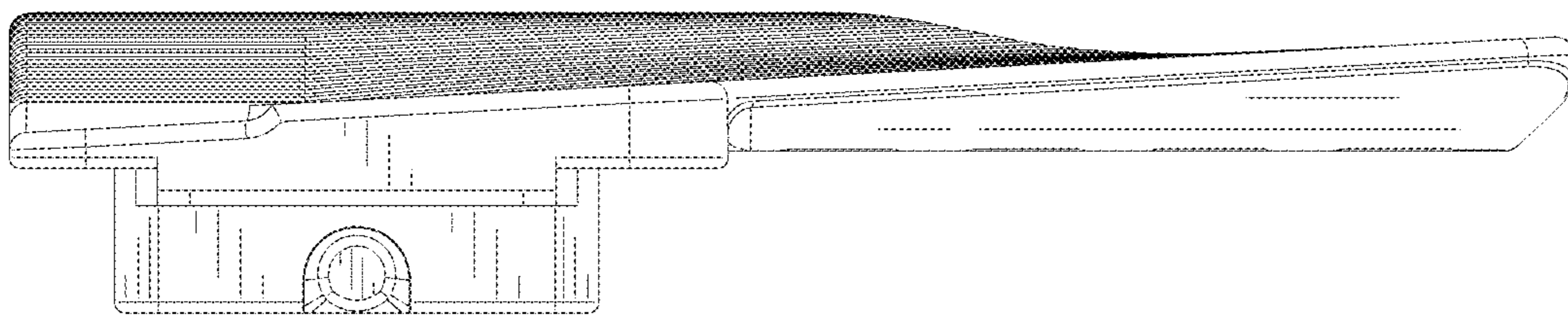


FIG. 5

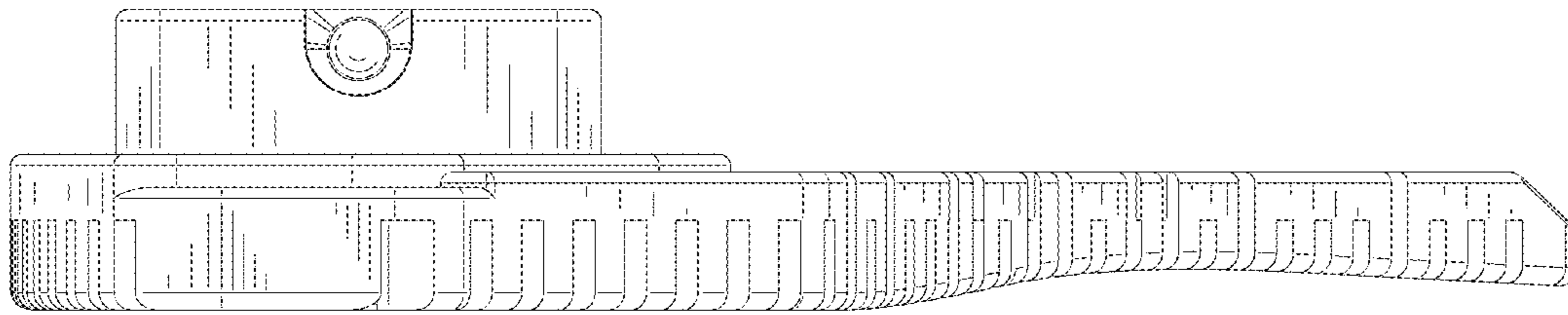


FIG. 6

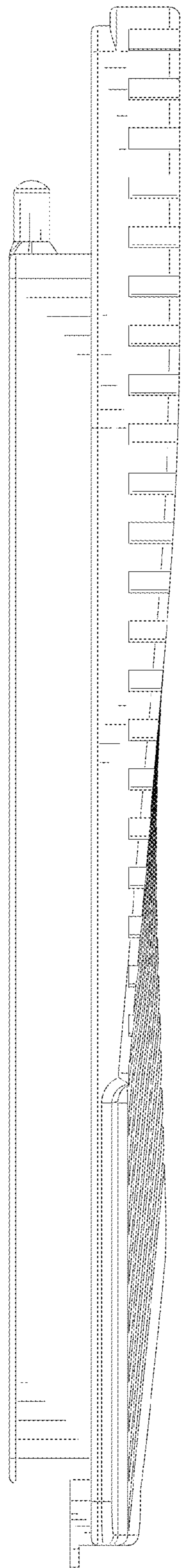


FIG. 7



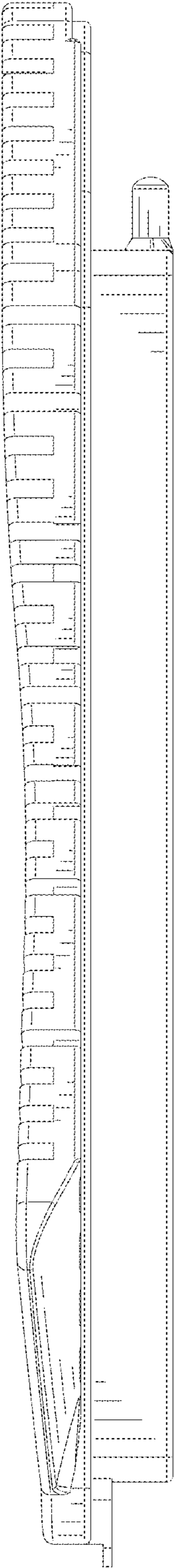


FIG. 8