

US00D965540S

(12) **United States Design Patent** (10) **Patent No.:** **US D965,540 S**
Altonen et al. (45) **Date of Patent:** **** *Oct. 4, 2022**

(54) **CONTROL DEVICE**

(56) **References Cited**

(71) Applicant: **Lutron Technology Company LLC**,
Coopersburg, PA (US)

U.S. PATENT DOCUMENTS

(72) Inventors: **Gregory Altonen**, Easton, PA (US);
Chris Dimberg, Easton, PA (US);
Jason C. Killo, Emmaus, PA (US);
Matthew Philip McDonald,
Phoenixville, PA (US); **Daniel L.**
Twaddell, Allentown, PA (US)

D169,574 S 5/1953 Bordner
D208,025 S 7/1967 Weitzman
D282,462 S 2/1986 Hart
(Continued)

FOREIGN PATENT DOCUMENTS

(73) Assignee: **Lutron Technology Company LLC**,
Coopersburg, PA (US)

EM 002144899-0001 2/2013
EM 002144899-0002 2/2013
(Continued)

OTHER PUBLICATIONS

(*) Notice: This patent is subject to a terminal disclaimer.

iDevices LLC, The iDevices Advantage, specification sheet, available at least as early as 2017 (21 pages).
(Continued)

(**) Term: **15 Years**

(21) Appl. No.: **29/809,419**

Primary Examiner — Selina Sikder
(74) *Attorney, Agent, or Firm* — Saidman DesignLaw Group, LLC

(21) Appl. No.:

(22) Filed: **Sep. 28, 2021**

(57) **CLAIM**

The ornamental design for a control device, as shown and described.

Related U.S. Application Data

(63) Continuation of application No. 29/685,060, filed on Mar. 26, 2019, now Pat. No. Des. 933,027.

DESCRIPTION

(51) **LOC (13) Cl.** **13-03**

(52) **U.S. Cl.**
USPC **D13/169**

(58) **Field of Classification Search**
USPC D13/162, 168, 169, 173, 174
CPC H01H 9/02; H01H 9/0271; H01H 9/16;
H01H 9/18; H01H 9/161; H01H 9/181;
H01H 9/182; H01H 13/04; H01H 13/14;
H01H 13/20; H01H 13/30; H01H 19/635;
H01H 83/02; H01H 83/04; H01H 83/144;
H01H 23/00; H01H 23/02; H01H 23/025;

FIG. 1 is a front perspective view of a control device showing our new design;
FIG. 2 is a front view thereof;
FIG. 3 is a left side view thereof;
FIG. 4 is a right side view thereof;
FIG. 5 is a top view thereof;
FIG. 6 is a bottom view thereof;
FIG. 7 is a front perspective view of a second embodiment thereof;
FIG. 8 is a front view thereof;
FIG. 9 is a left side view thereof;

(Continued)

(Continued)

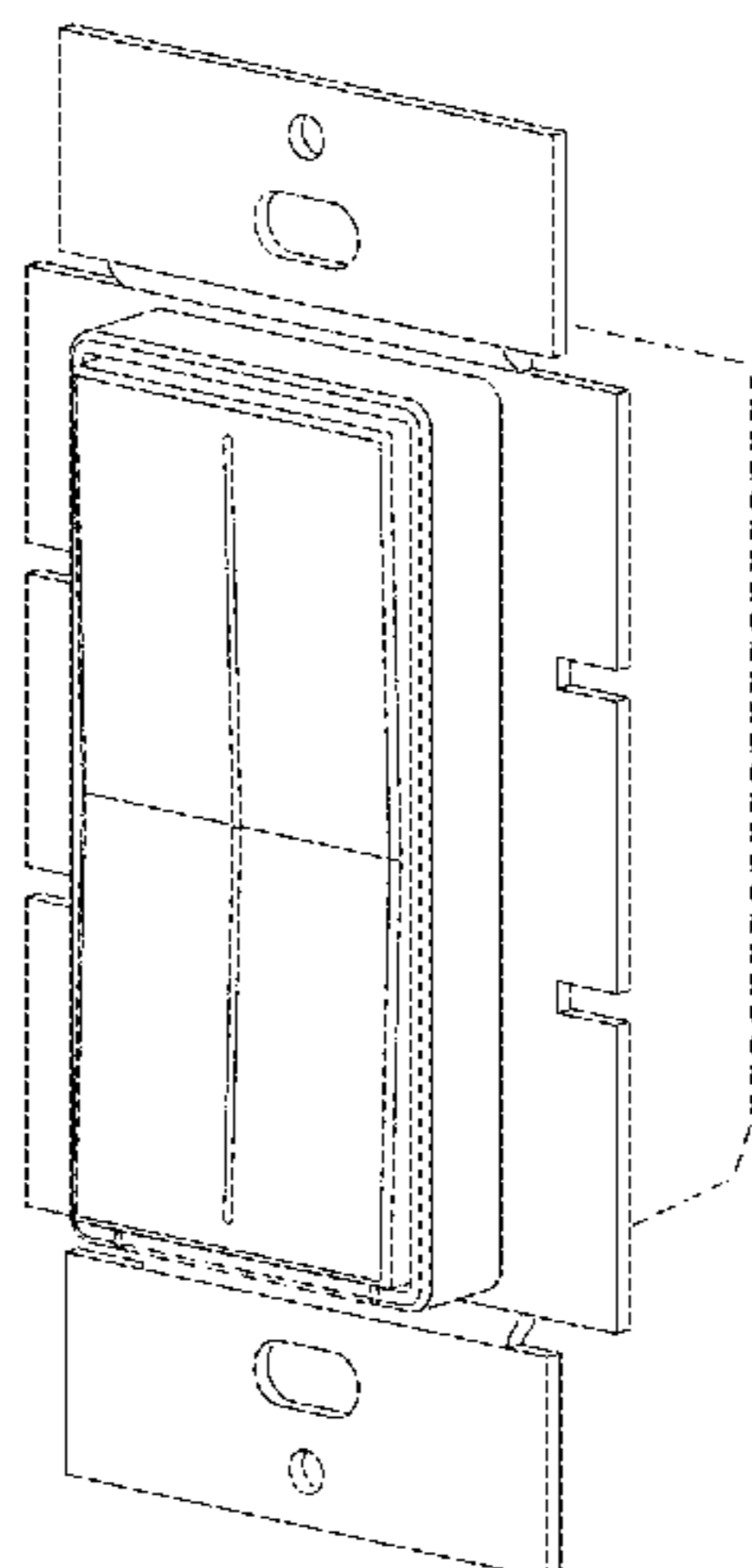


FIG. 10 is a right side view thereof;
 FIG. 11 is a top view thereof; and,
 FIG. 12 is a bottom view thereof.
 The dashed broken lines illustrate structure or features
 which form no part of the claimed design.

1 Claim, 8 Drawing Sheets

(58) **Field of Classification Search**

CPC H01H 23/04; H01H 23/145; H01H 23/148;
 H01H 23/205; H01H 23/30

See application file for complete search history.

(56) **References Cited**

U.S. PATENT DOCUMENTS

D307,578 S	5/1990	Carson et al.
D315,145 S	3/1991	Pearlman et al.
5,696,350 A	12/1997	Anker
5,895,888 A	4/1999	Arenas et al.
D415,472 S	10/1999	Kelso et al.
6,005,308 A	12/1999	Bryde et al.
D436,934 S	1/2001	Hayduke et al.
D518,794 S	4/2006	Hedderich et al.
7,049,537 B1	5/2006	Shotey et al.
7,190,125 B2	3/2007	McDonough et al.
7,365,282 B2	4/2008	Altonen et al.
D572,202 S	7/2008	Jacoby et al.
D583,335 S	12/2008	Ni
D607,849 S	1/2010	Samuels et al.
7,667,155 B1	2/2010	Ni et al.
7,714,790 B1	5/2010	Feldstein et al.
7,777,145 B2	8/2010	Burrell et al.
D649,122 S	11/2011	Jacoby et al.
D692,398 S	10/2013	Felegy, Jr. et al.
D694,197 S	11/2013	Felegy, Jr. et al.
D694,716 S	12/2013	Felegy, Jr. et al.
8,710,763 B2	4/2014	Hakkarainen et al.
D733,075 S	6/2015	Junko et al.
D740,766 S	10/2015	Falkenberg et al.
D777,685 S	1/2017	Tannous et al.
D787,451 S	5/2017	Tress et al.
D797,061 S	9/2017	Lacey
9,818,559 B2	11/2017	Tress et al.
9,838,008 B2	12/2017	Lark, Jr. et al.
D821,985 S	7/2018	Zheng
D830,977 S	10/2018	Liao et al.

10,109,181 B2	10/2018	Dimberg et al.
10,141,144 B2	11/2018	Zhuang et al.
D865,682 S	11/2019	Dimberg et al.
D892,065 S	8/2020	Dimberg et al.
D913,254 S	3/2021	Altonen et al.
2010/0214756 A1	8/2010	Feldstein
2012/0292174 A1	11/2012	Mah et al.
2017/0278383 A1	9/2017	Dimberg et al.
2017/0278647 A1	9/2017	Dimberg et al.
2017/0278652 A1	9/2017	Dimberg et al.
2017/0280533 A1	9/2017	Dimberg et al.
2017/0280534 A1	9/2017	Dimberg et al.
2017/0352506 A1	12/2017	Dimberg
2019/0005809 A1	1/2019	Dimberg
2019/0006129 A1	1/2019	Dimberg et al.
2019/0019403 A1	1/2019	Dimberg et al.
2019/0073898 A1	3/2019	Dimberg et al.
2020/0020490 A1	1/2020	Dimberg et al.
2020/0037422 A1	1/2020	Shivell
2020/0144007 A1	5/2020	Shivell
2021/0013706 A1	1/2021	Richter et al.
2021/0022231 A1	1/2021	Shivell

FOREIGN PATENT DOCUMENTS

EM	002144899-0003	2/2013
EM	002144899-0004	2/2013
EM	002144899-0005	2/2013
EM	002144899-0006	2/2013
EM	002144899-0007	2/2013
EM	002144899-0008	2/2013
EM	002144899-0009	2/2013
EM	002144899-0010	2/2013
EM	002144899-0011	2/2013
EM	002144899-0012	2/2013
EM	002144899-0013	2/2013
EM	002144899-0014	2/2013

OTHER PUBLICATIONS

Leviton Manufacturing Co., Inc., Catalog, Vizia RF+, available at least as early 2009 (6 pages).
 Smart-Bus 3 Button Switch Wall Panel—SB-3BS-EU, <http://www.smarthomebus.com/Smart-Bus-3-Button-Switch-Wall-Panel-SB-3ES-EU-GTIN-UPC-F.AN-0610696254283.html>.
 Eco4life Smart Wi-Fi Wireless Wall Light Switch; advertised on Amazon, date first available May 21, 2018 (2 pages); https://www.amazon.com/Wireless-Switch-control-Required-Control/dp/B07D6WKQJV/ref=sr_1_5?dchild=1&keywords=eco4life+by+Sonicgrace+WiFi+Smart+Wall+Switch.&qid=1614207527&sr=8-5.

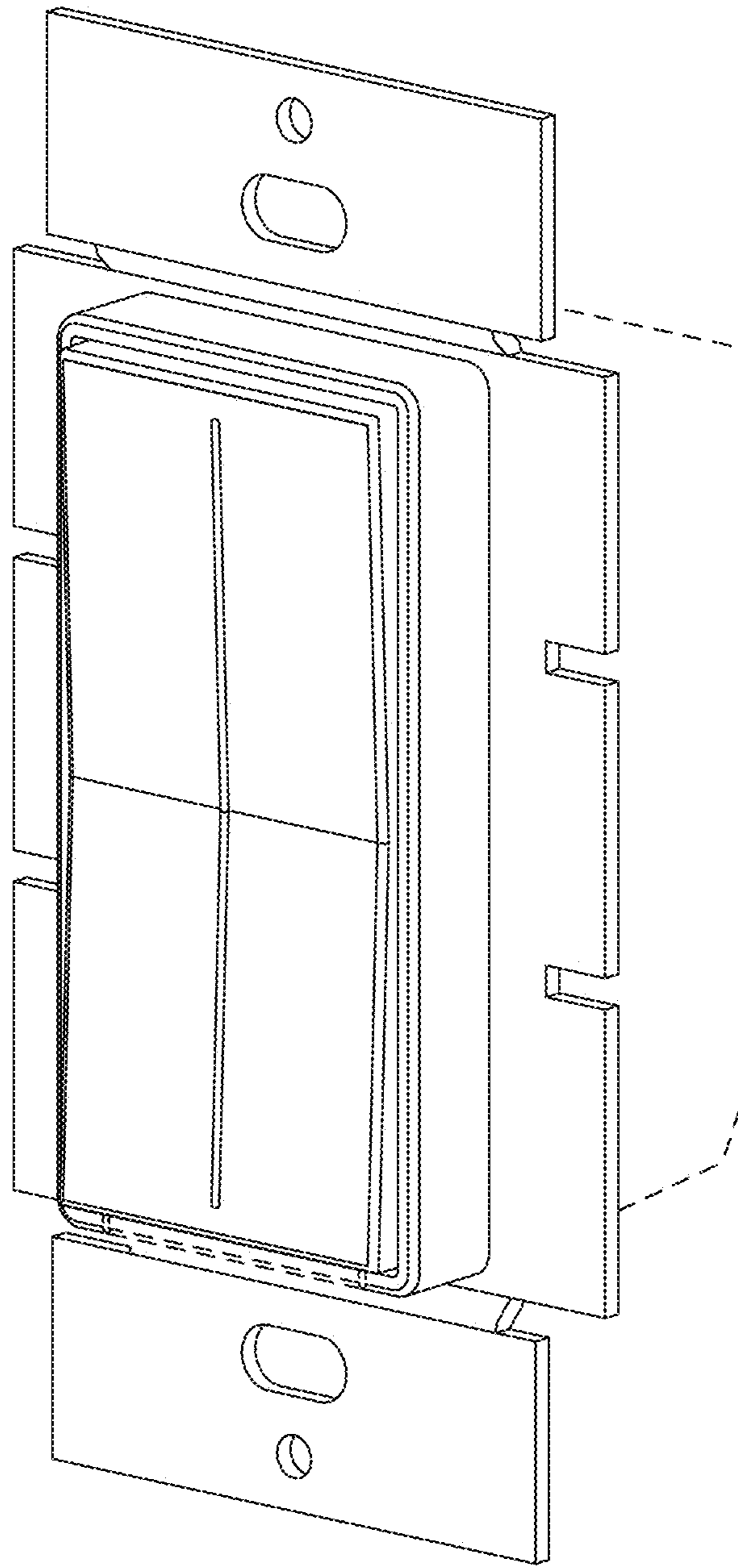


FIG. 1

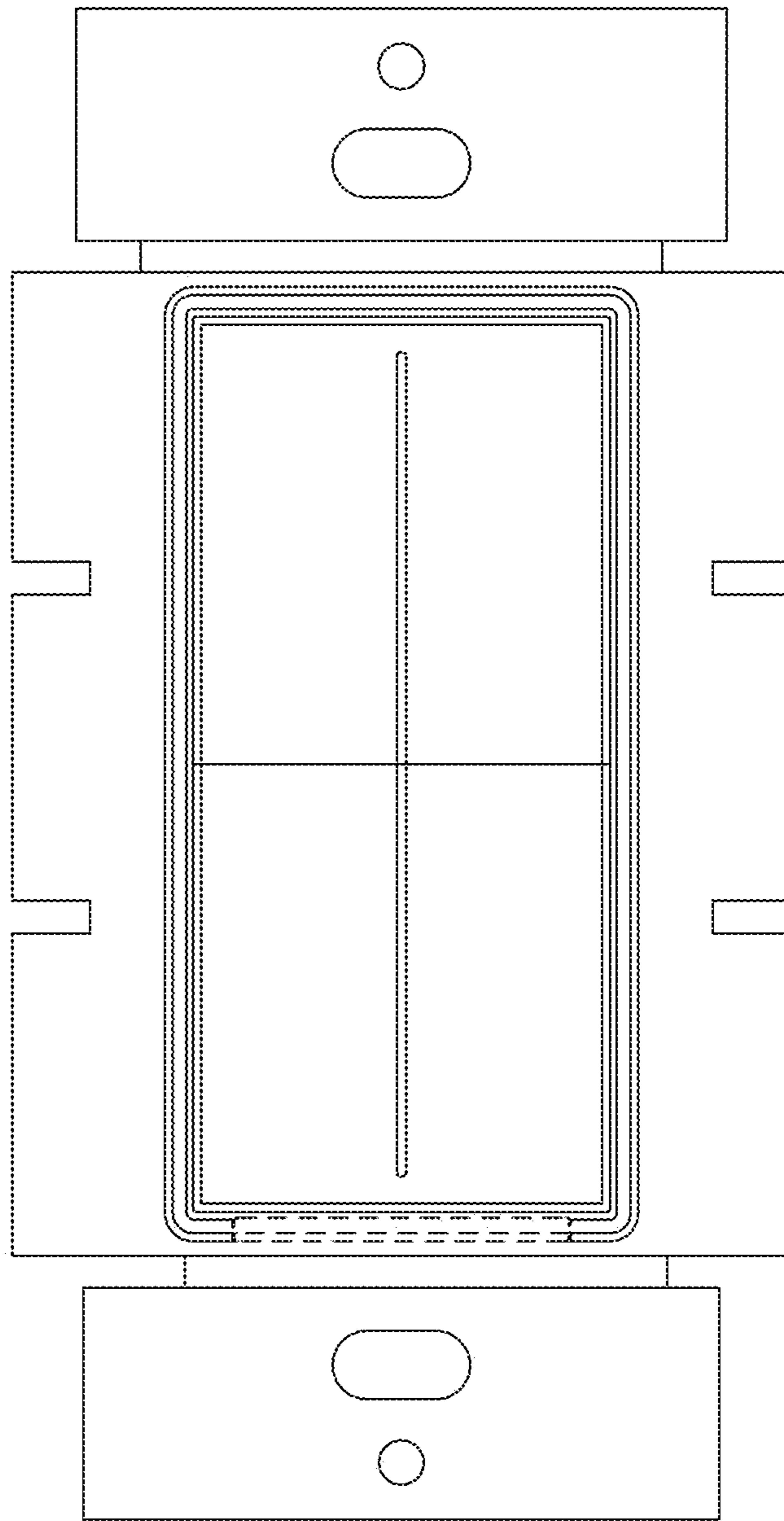


FIG. 2

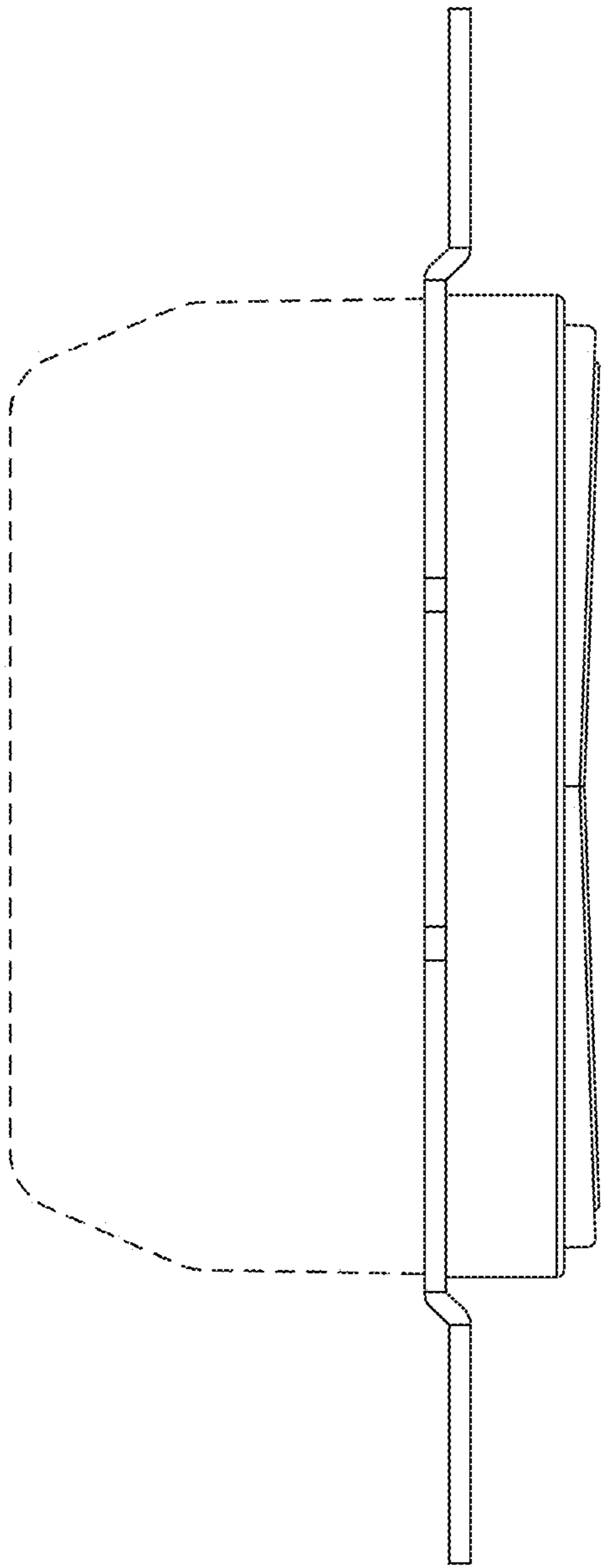


FIG. 3

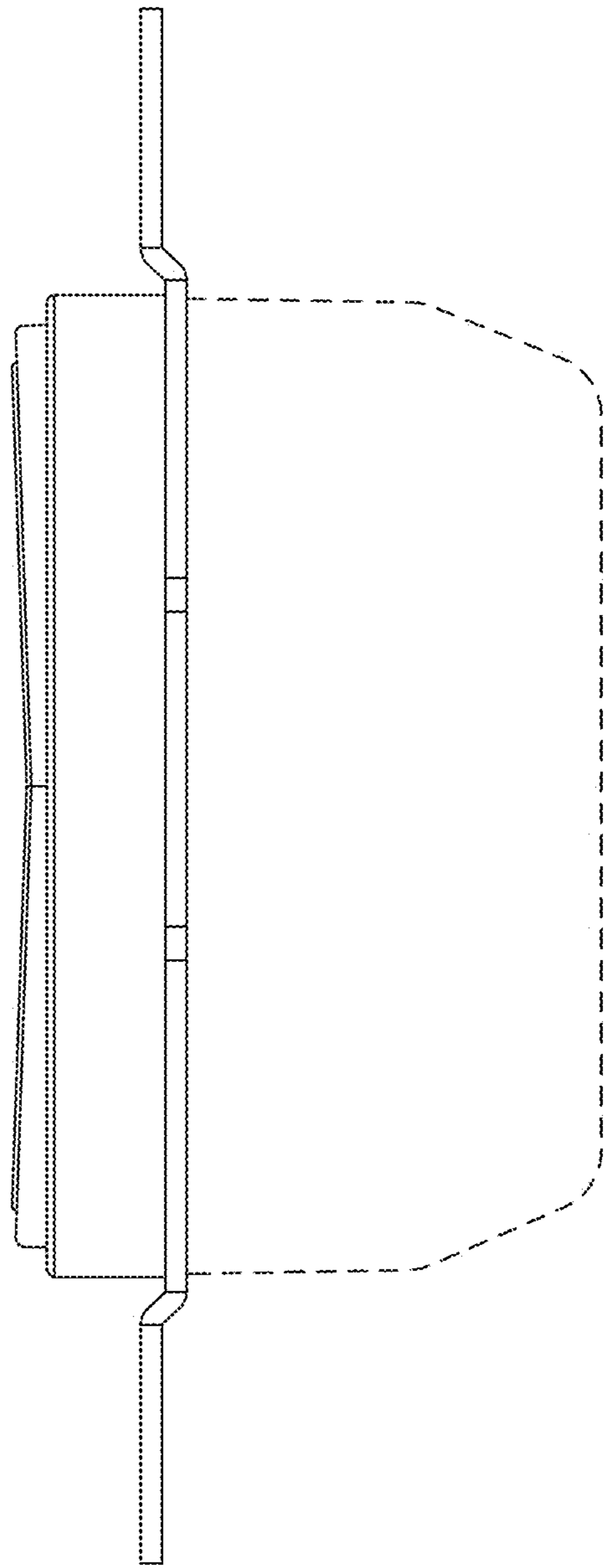


FIG. 4

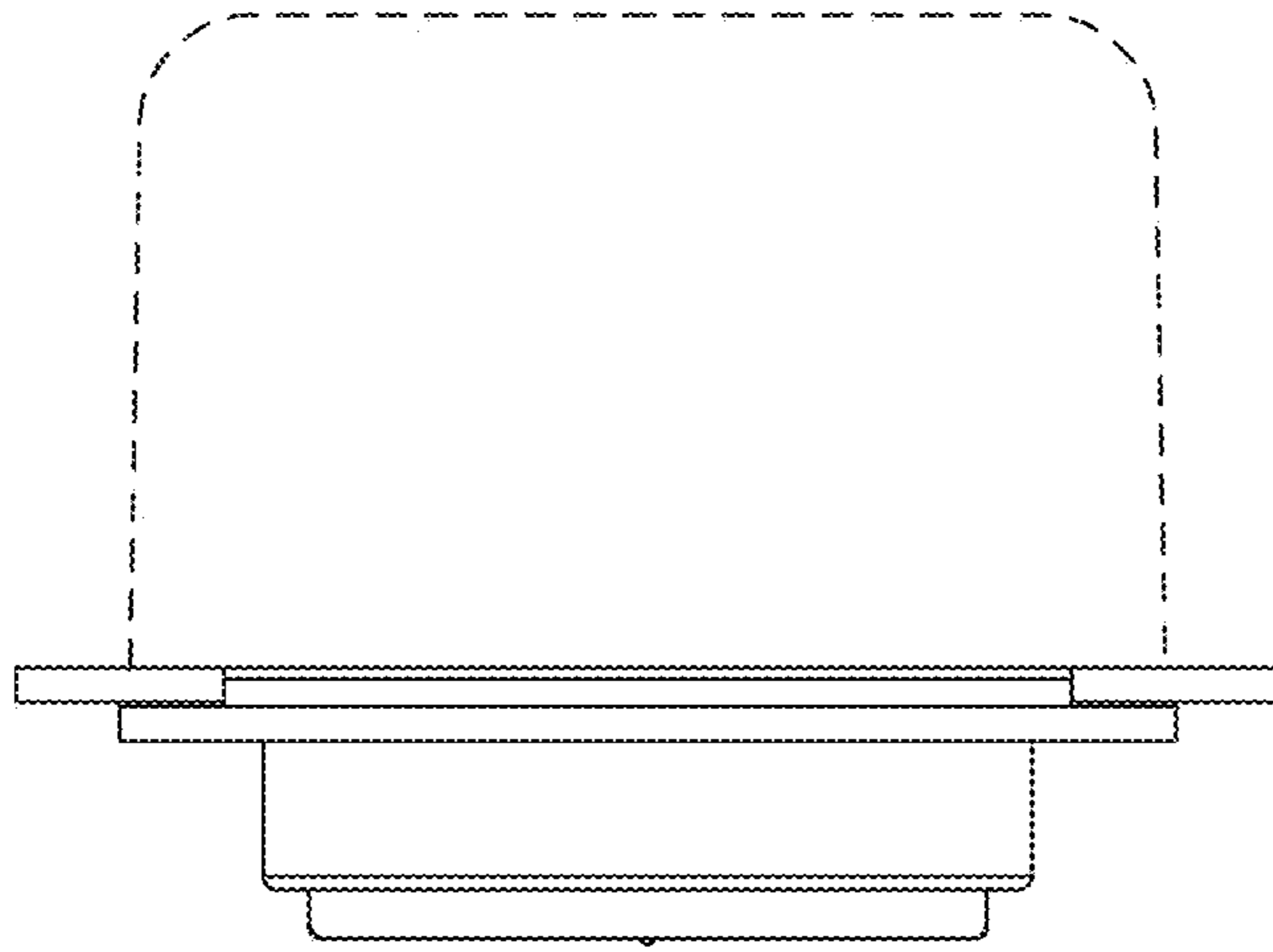


FIG. 5

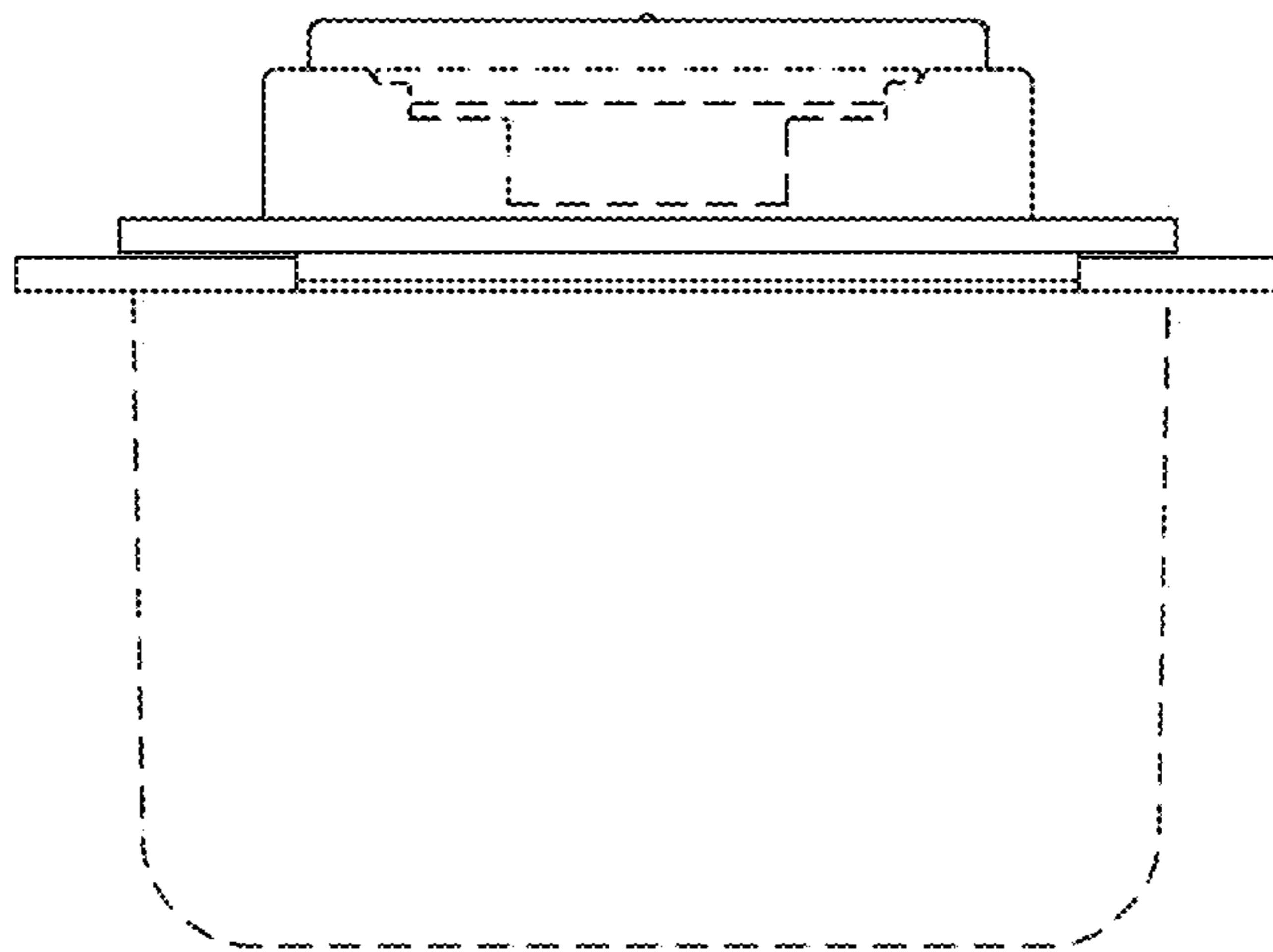


FIG. 6

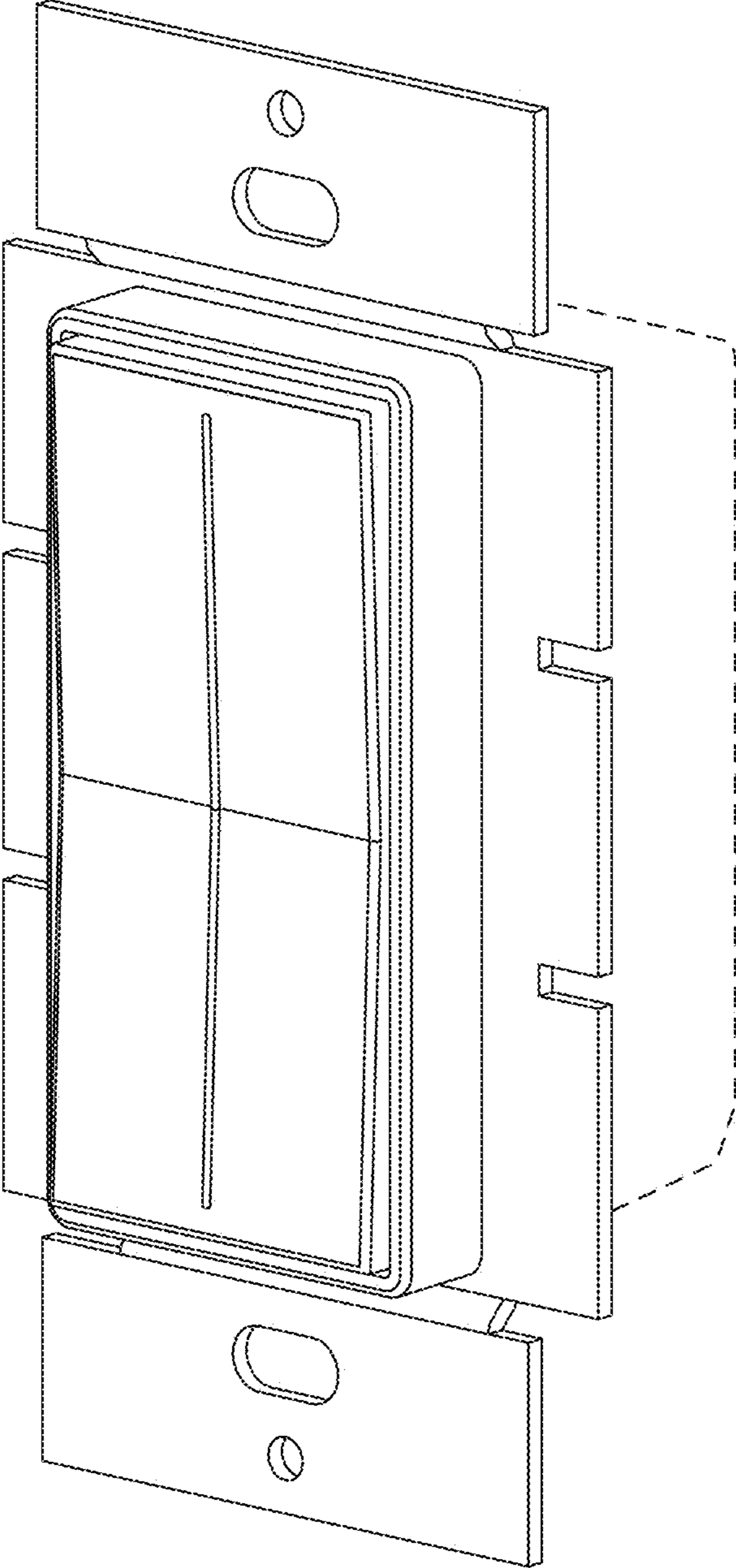


FIG. 7

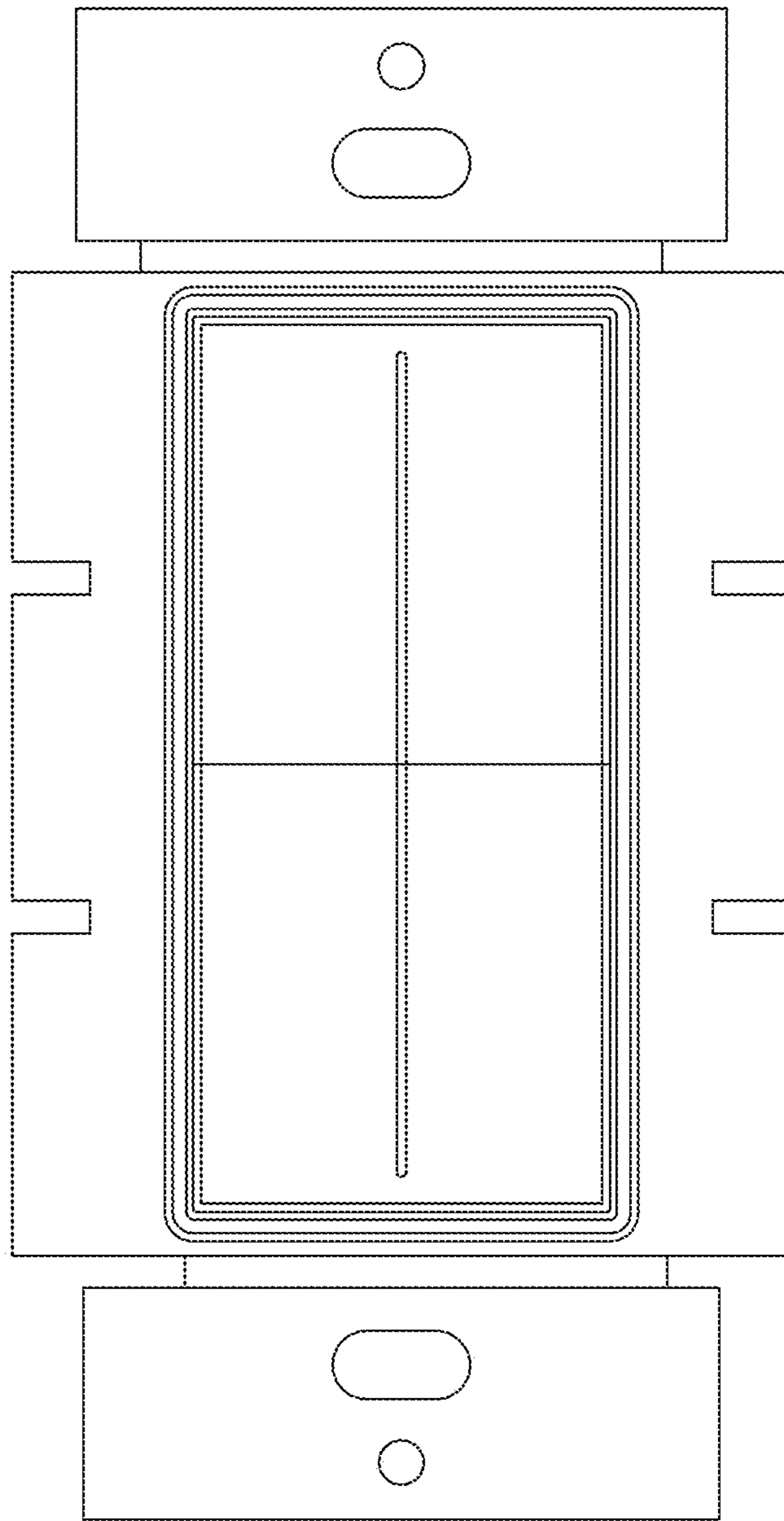


FIG. 8

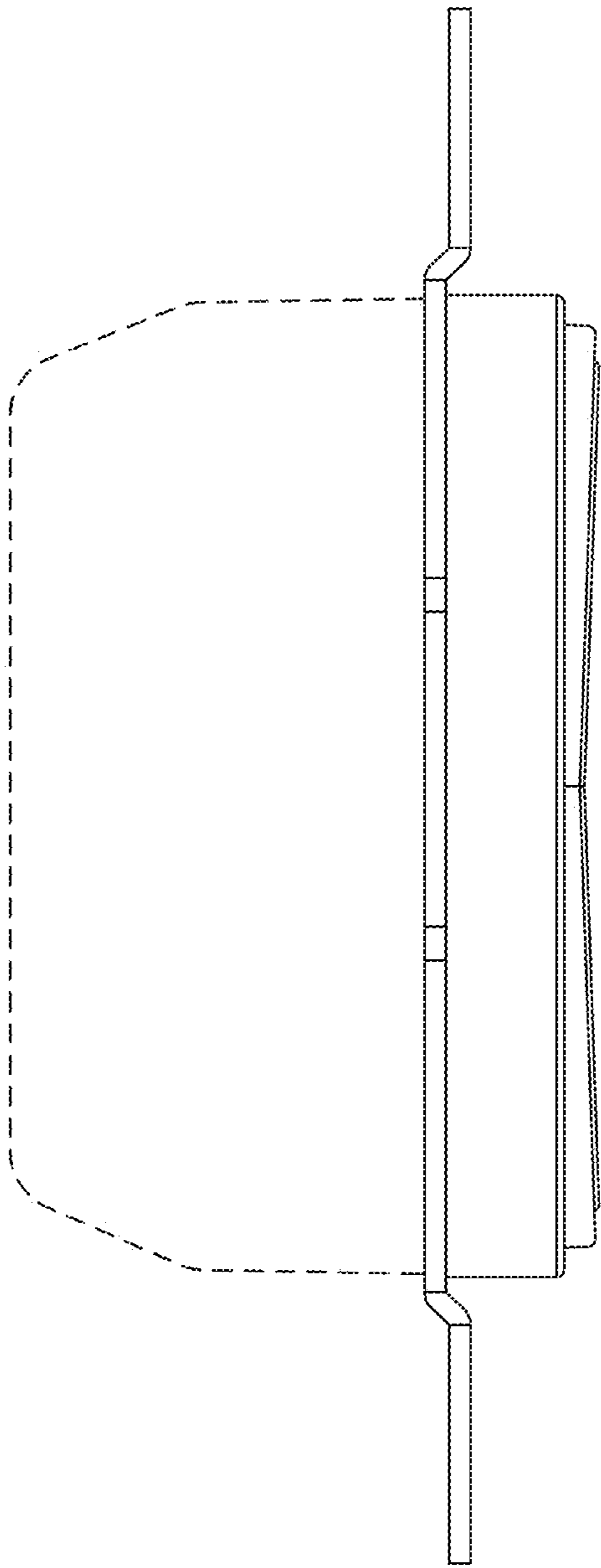


FIG. 9

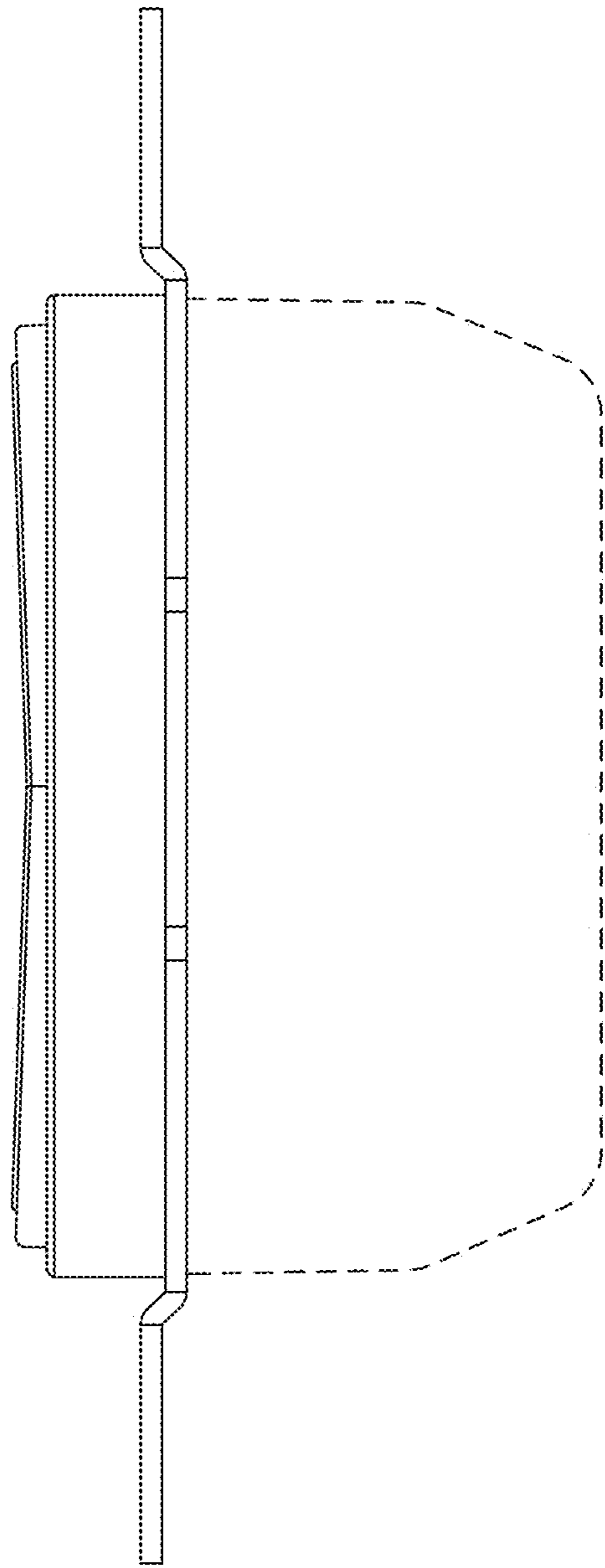


FIG. 10

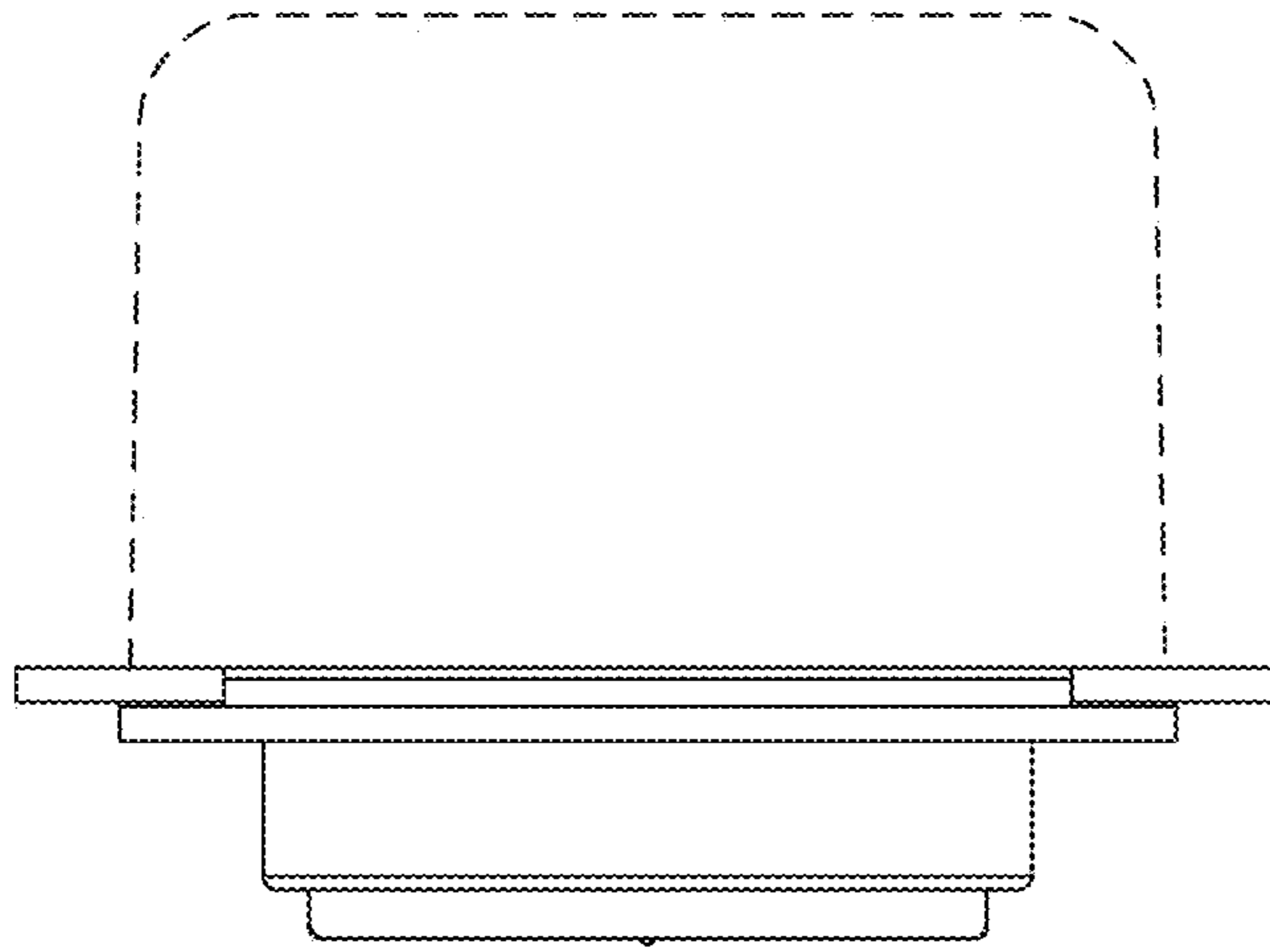


FIG. 11

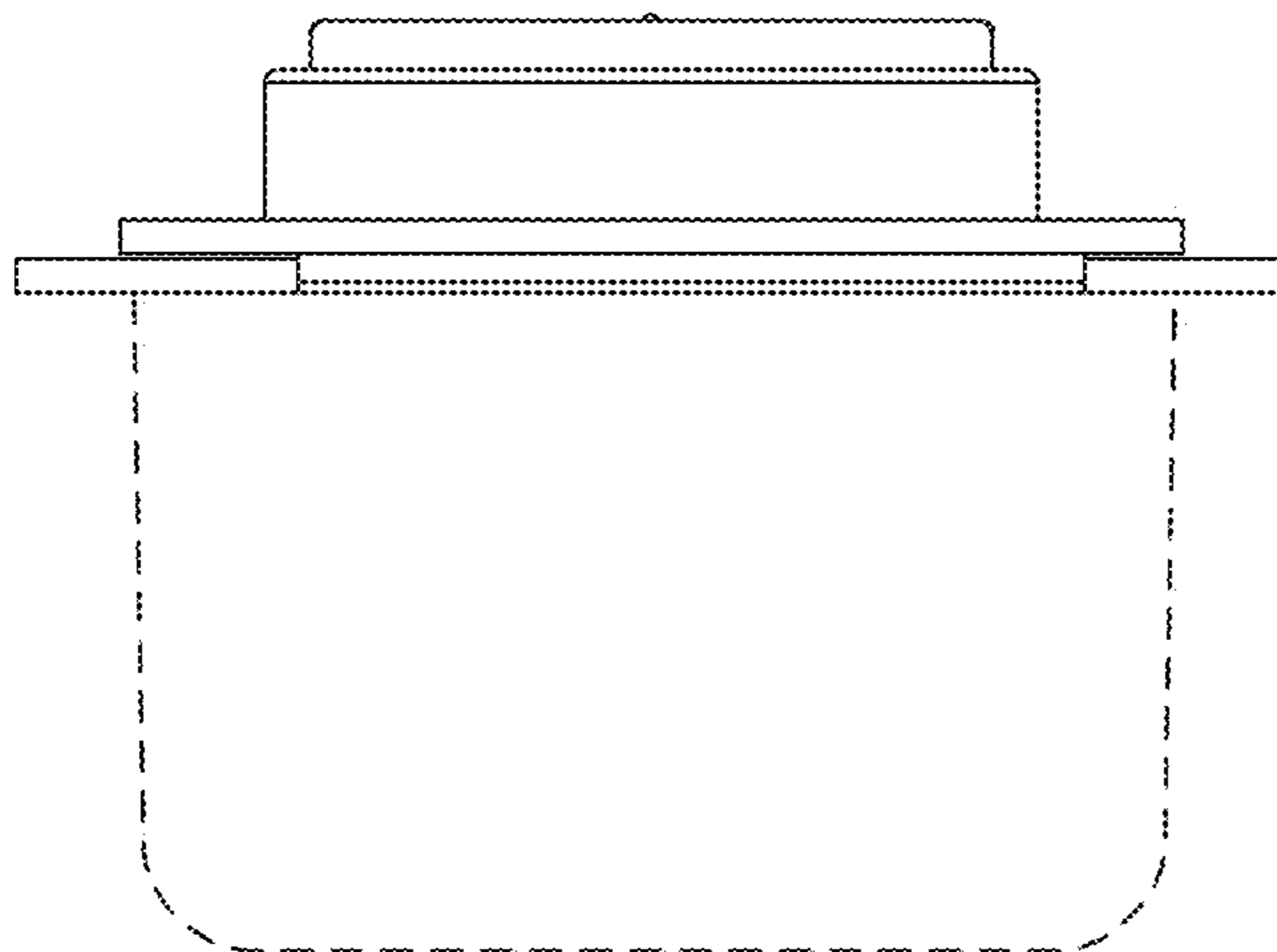


FIG. 12

UNITED STATES PATENT AND TRADEMARK OFFICE
CERTIFICATE OF CORRECTION

PATENT NO. : D965,540 S
APPLICATION NO. : 29/809419
DATED : October 4, 2022
INVENTOR(S) : Gregory Altonen et al.

Page 1 of 1

It is certified that error appears in the above-identified patent and that said Letters Patent is hereby corrected as shown below:

On the Title Page

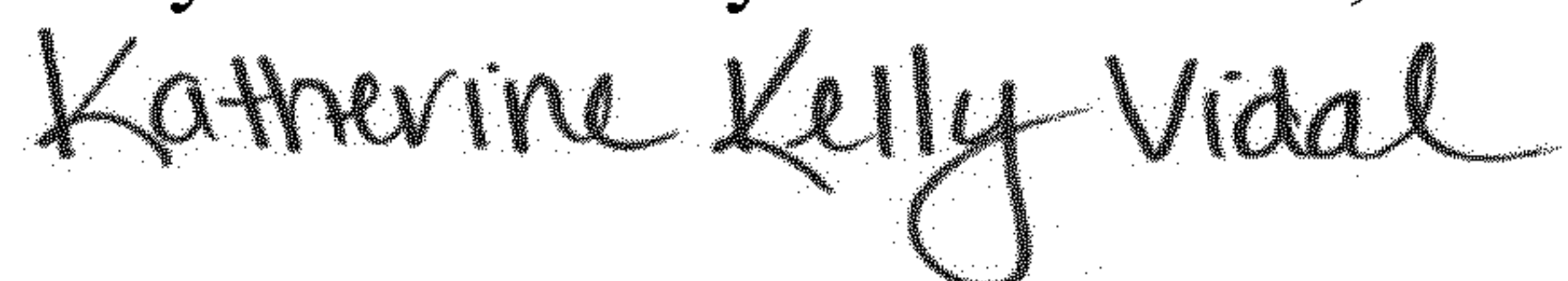
Page 2 Column 2 Lines 4-5 item [56], reads:

-smarthomebus.com/Smart-Bus-3-Button-Switch-Wall-Panel-SB-3ES-EU-GTIN-UPC-F.AN-0610696254283.html.-

Should read:

--smarthomebus.com/Smart-Bus-3-Button-Switch-Wall-Panel-SB-3BS-EU-GTIN-UPC-EAN-0610696254283.html.--

Signed and Sealed this
Twenty-seventh Day of December, 2022



Katherine Kelly Vidal
Director of the United States Patent and Trademark Office