



US00D965538S

(12) **United States Design Patent**
Fritz et al.

(10) **Patent No.:** **US D965,538 S**

(45) **Date of Patent:** **** Oct. 4, 2022**

(54) **SUMP PUMP CONTROLLER**

(71) Applicant: **Pentair Flow Technologies, LLC**,
Delavan, WI (US)

(72) Inventors: **Michael Bruce Fritz**, Delavan, WI
(US); **Hassan Khalid**, Greenfield, WI
(US); **Aditya Sharma**, New Delhi (IN);
Brian Boothe, Raleigh, NC (US)

(73) Assignee: **Pentair Flow Technologies, LLC**,
Delavan, WI (US)

(**) Term: **15 Years**

(21) Appl. No.: **29/712,245**

(22) Filed: **Nov. 6, 2019**

Related U.S. Application Data

(63) Continuation-in-part of application No. 16/666,260,
filed on Oct. 28, 2019.

(51) **LOC (13) Cl.** **13-03**

(52) **U.S. Cl.**
USPC **D13/162; D10/49**

(58) **Field of Classification Search**
USPC D13/137.1, 137.3, 138.2, 162, 184;
D10/49, 106.1, 99-101; D15/7, 9.1
(Continued)

(56) **References Cited**

U.S. PATENT DOCUMENTS

2,687,693 A 8/1954 Hudson
4,187,503 A 2/1980 Walton
(Continued)

FOREIGN PATENT DOCUMENTS

EP 1450328 A2 8/2004

OTHER PUBLICATIONS

Catalog, Motor Protection Electronics Inc., Jan. 2016, 102 pages.
"Sump Pump Smart Outlet", Pump Spy, 2016, 2 pages.

Extended European Search Report, EP Application No. 19205740.4,
dated Jul. 15, 2020, 9 pages.

Primary Examiner — Selina Sikder

(74) *Attorney, Agent, or Firm* — Husch Blackwell LLP

(57) **CLAIM**

The ornamental design for a sump pump controller, as
shown and described.

DESCRIPTION

FIG. 1 is a perspective view of a front, top, and right side of
an embodiment of an ornamental design for a sump pump
controller;

FIG. 2 is a perspective view of a rear, bottom, and left side
of the sump pump controller of FIG. 1;

FIG. 3 is a top plan view of the sump pump controller of
FIG. 1;

FIG. 4 is a bottom plan view of the sump pump controller
of FIG. 1;

FIG. 5 is a left side elevational view of the sump pump
controller of FIG. 1;

FIG. 6 is a right side elevational view of the sump pump
controller of FIG. 1;

FIG. 7 is a front elevational view of the sump pump
controller of FIG. 1;

FIG. 8 is a rear elevational view of the sump pump controller
of FIG. 1;

FIG. 9 is a perspective view of the front, top, and right side
of the sump pump controller of FIG. 1 showing mounted on
a wall plate;

FIG. 10 is another perspective view of the front, top, and
right side of the sump pump controller of FIG. 1 showing an
alternate environment;

FIG. 11 is a perspective view of the rear, bottom, and left
side thereof;

FIG. 12 is a top plan view thereof;

FIG. 13 is a bottom plan view thereof;

FIG. 14 is a left side elevation view thereof;

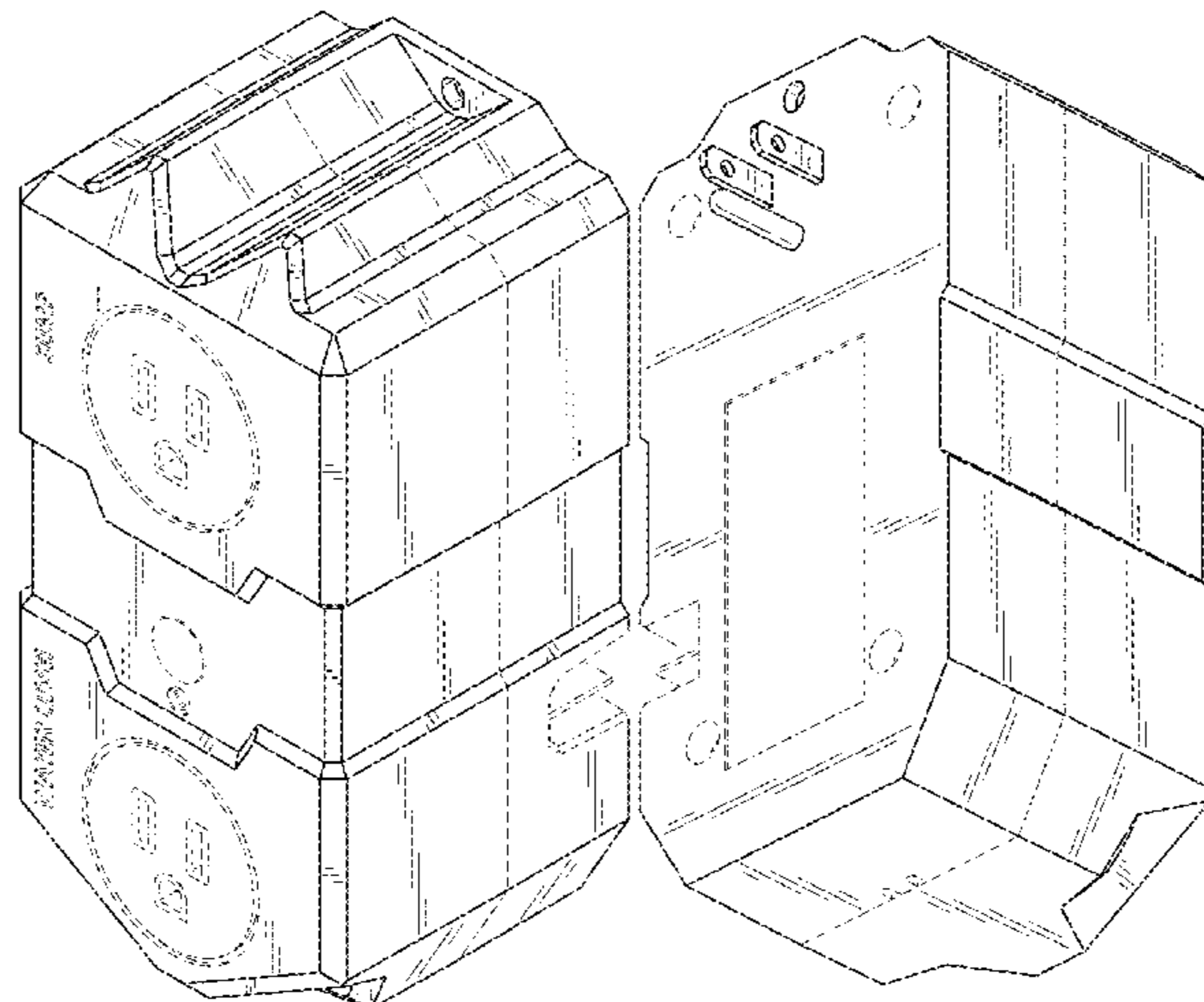
FIG. 15 is a right side elevation view thereof;

FIG. 16 is a front elevation view thereof;

FIG. 17 is a rear elevation view thereof; and,

FIG. 18 is perspective view of the front, top, and right side
of the sump pump controller of FIG. 1 showing yet another
alternate environment.

(Continued)



The broken lines in the drawings depict portions of sump pump controller that form no part of the claimed design. The broken lines showing the environment are for illustrative purposes only and form no part of the claimed design.

1 Claim, 14 Drawing Sheets

(58) Field of Classification Search

CPC F04B 49/02; F04B 49/022; F04B 49/06;
F04B 49/065; F04B 49/20; F04D 15/00;
F04D 15/0066; F04D 15/0072; F04D
15/00777; F04D 15/02; F04D 15/0209;
F04D 15/0218; F04D 15/068

See application file for complete search history.

(56) References Cited

U.S. PATENT DOCUMENTS

4,222,711 A * 9/1980 Mayer F04D 13/068
417/36
4,255,747 A 3/1981 Bunia
4,369,438 A 1/1983 Wilhelmi
4,456,432 A 6/1984 Mannino
4,595,894 A * 6/1986 Doyle H01H 3/50
361/601
D305,641 S * 1/1990 DeLuca D13/137.3
5,015,151 A 5/1991 Snyder, Jr. et al.
D325,370 S * 4/1992 Belcher D13/137.3
5,324,170 A 6/1994 Anastos et al.
D352,472 S * 11/1994 Chen D10/30
5,672,050 A 9/1997 Webber et al.
D386,100 S * 11/1997 Thibault D10/106.1
D432,990 S * 10/2000 Stekelenburg D13/137.3
6,375,430 B1 4/2002 Eckert et al.
6,676,382 B2 1/2004 Leighton et al.
7,307,538 B2 12/2007 Kochan, Jr.
7,309,216 B1 * 12/2007 Spadola, Jr. F04B 49/02
417/18
7,429,842 B2 9/2008 Schulman et al.
D580,800 S * 11/2008 Hauk D10/49
7,458,782 B1 12/2008 Spadola, Jr. et al.
8,047,805 B2 11/2011 Bourell, Jr. et al.
D664,931 S * 8/2012 Chang D13/168
8,297,937 B2 10/2012 Johnson
8,380,355 B2 2/2013 Mayleben et al.
8,500,412 B2 8/2013 Williams et al.
8,579,600 B2 * 11/2013 Vijayakumar F04D 29/605
417/234
8,641,384 B2 2/2014 Bourell, Jr. et al.
8,807,957 B2 8/2014 Hampton
8,892,263 B1 11/2014 Morris et al.

8,907,789 B2 * 12/2014 Kochan, Jr. F04B 49/065
417/4
D740,698 S * 10/2015 Cummings D10/49
9,157,434 B2 10/2015 Leonard et al.
9,441,625 B2 9/2016 Schoendorff
9,441,632 B2 9/2016 Bishop et al.
9,500,193 B2 * 11/2016 Knight F04B 17/03
9,500,194 B2 11/2016 Knight et al.
9,523,366 B2 12/2016 Cummings et al.
9,525,309 B2 12/2016 Cummings
9,528,512 B2 12/2016 Cummings
9,528,522 B2 12/2016 Cummings
9,528,873 B2 12/2016 Cummings
9,534,593 B2 1/2017 Cummings et al.
9,534,606 B2 * 1/2017 Cummings F04D 13/086
9,638,193 B2 5/2017 Bishop et al.
9,696,360 B2 * 7/2017 Rothbart F04B 51/00
9,709,054 B2 7/2017 Cummings
9,752,569 B1 9/2017 Morris et al.
9,920,766 B2 3/2018 Bishop et al.
9,927,479 B2 3/2018 Rothbart
D819,570 S * 6/2018 Zhong D13/137.1
10,208,747 B2 * 2/2019 Cummings F04B 23/021
10,323,647 B2 6/2019 Grzeika
10,364,816 B2 7/2019 Nofal et al.
10,378,336 B2 8/2019 Marvel et al.
D894,832 S * 9/2020 Khalid D13/110
11,035,367 B1 * 6/2021 Hansen F04B 23/021
11,041,908 B2 * 6/2021 Rothbart F04B 51/00
2006/0008355 A1 1/2006 Low
2006/0078435 A1 4/2006 Burza
2006/0176000 A1 * 8/2006 Schulman F04D 15/0218
318/482
2007/0258827 A1 11/2007 Gierke
2008/0024942 A1 * 1/2008 Gallas H01H 83/144
361/42
2008/0031751 A1 2/2008 Littwin et al.
2008/0031752 A1 2/2008 Littwin et al.
2008/0298978 A1 12/2008 Schulman et al.
2011/0077875 A1 3/2011 Tran et al.
2011/0311370 A1 * 12/2011 Sloss F04B 49/065
417/1
2015/0292501 A1 10/2015 Knight et al.
2016/0284496 A1 9/2016 Afshar
2016/0333884 A1 11/2016 Hussain et al.
2017/0122094 A1 5/2017 Chugunov et al.
2017/0145666 A1 5/2017 Kochan, Jr.
2017/0175746 A1 6/2017 Mayleben
2017/0370369 A1 12/2017 Grzeika
2018/0017459 A1 1/2018 Banta
2018/0163730 A1 6/2018 Wilds et al.
2018/0196097 A1 7/2018 Rothbart
2018/0209426 A1 7/2018 Bishop et al.
2019/0353156 A1 * 11/2019 Ward F04D 15/0281
2020/0137830 A1 * 4/2020 Khalid G07C 3/02

* cited by examiner

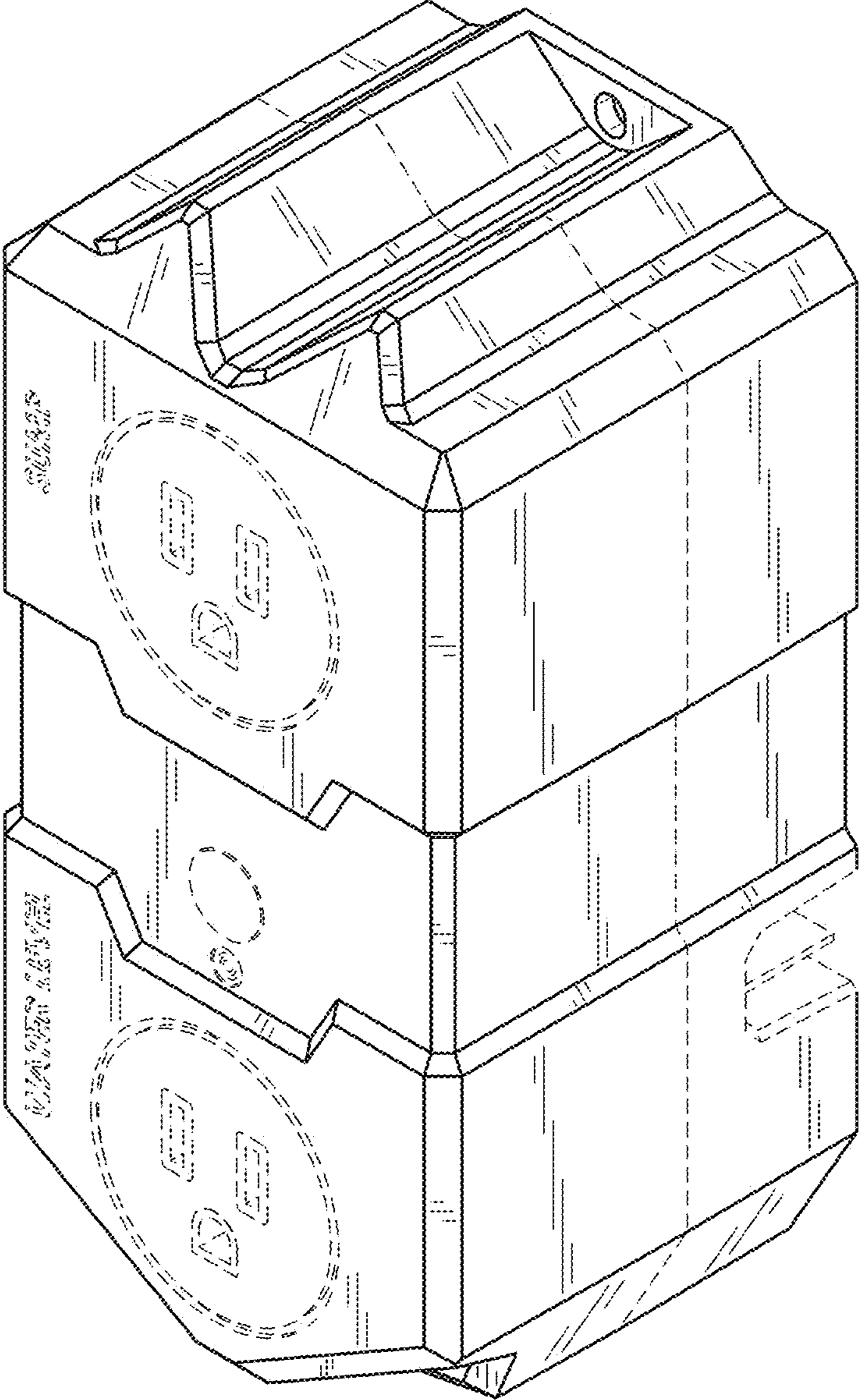


FIG. 1

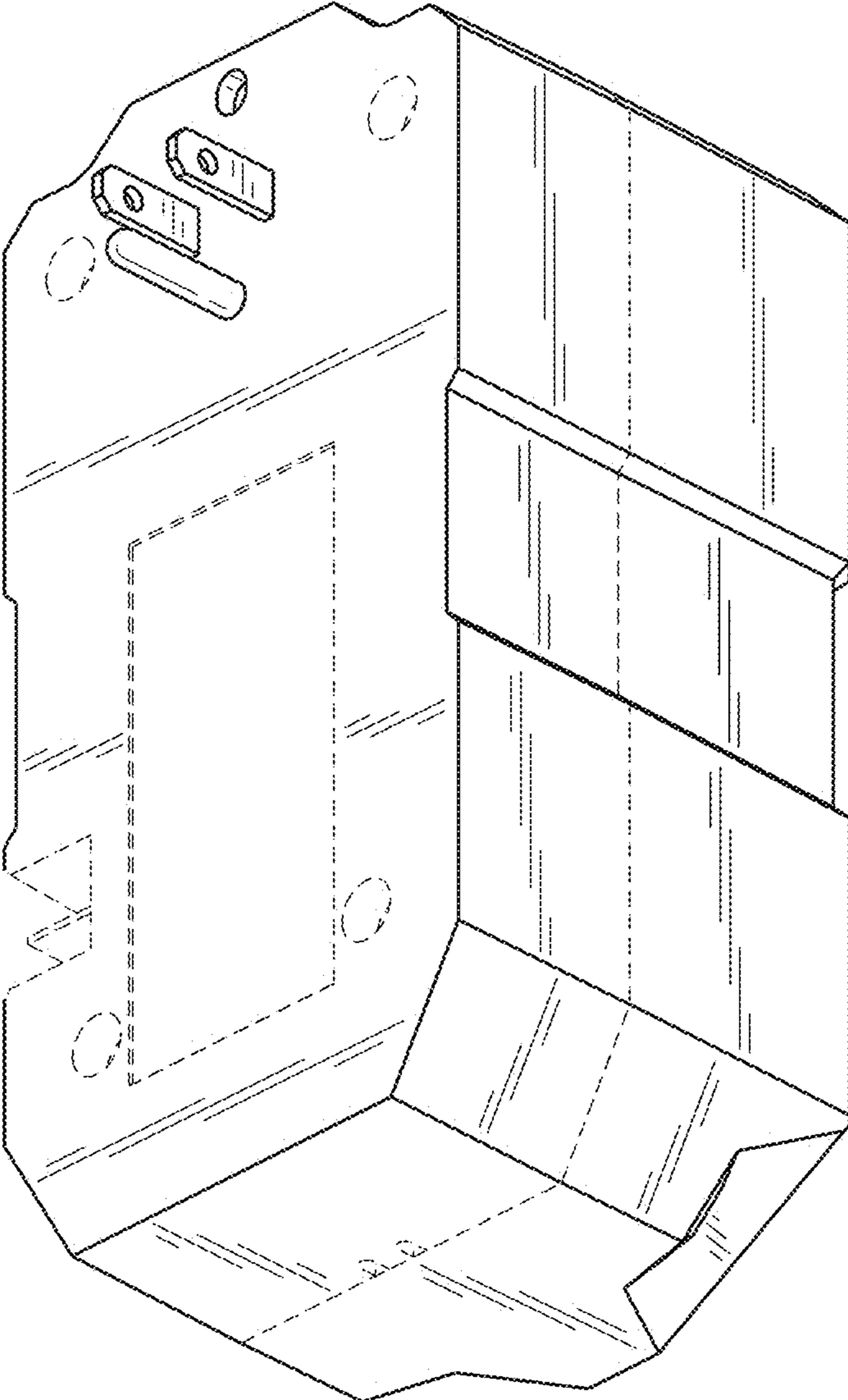


FIG. 2

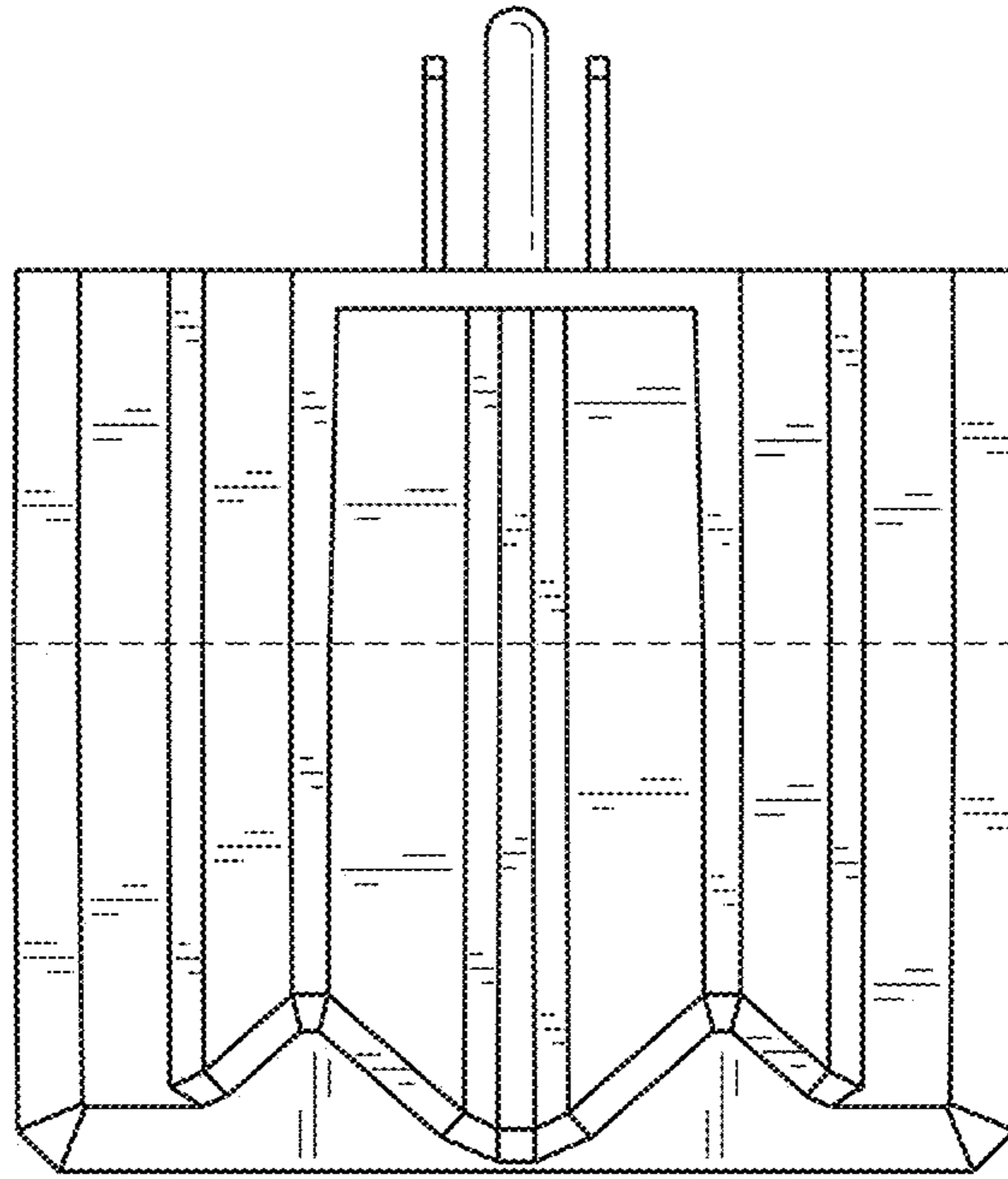


FIG. 3

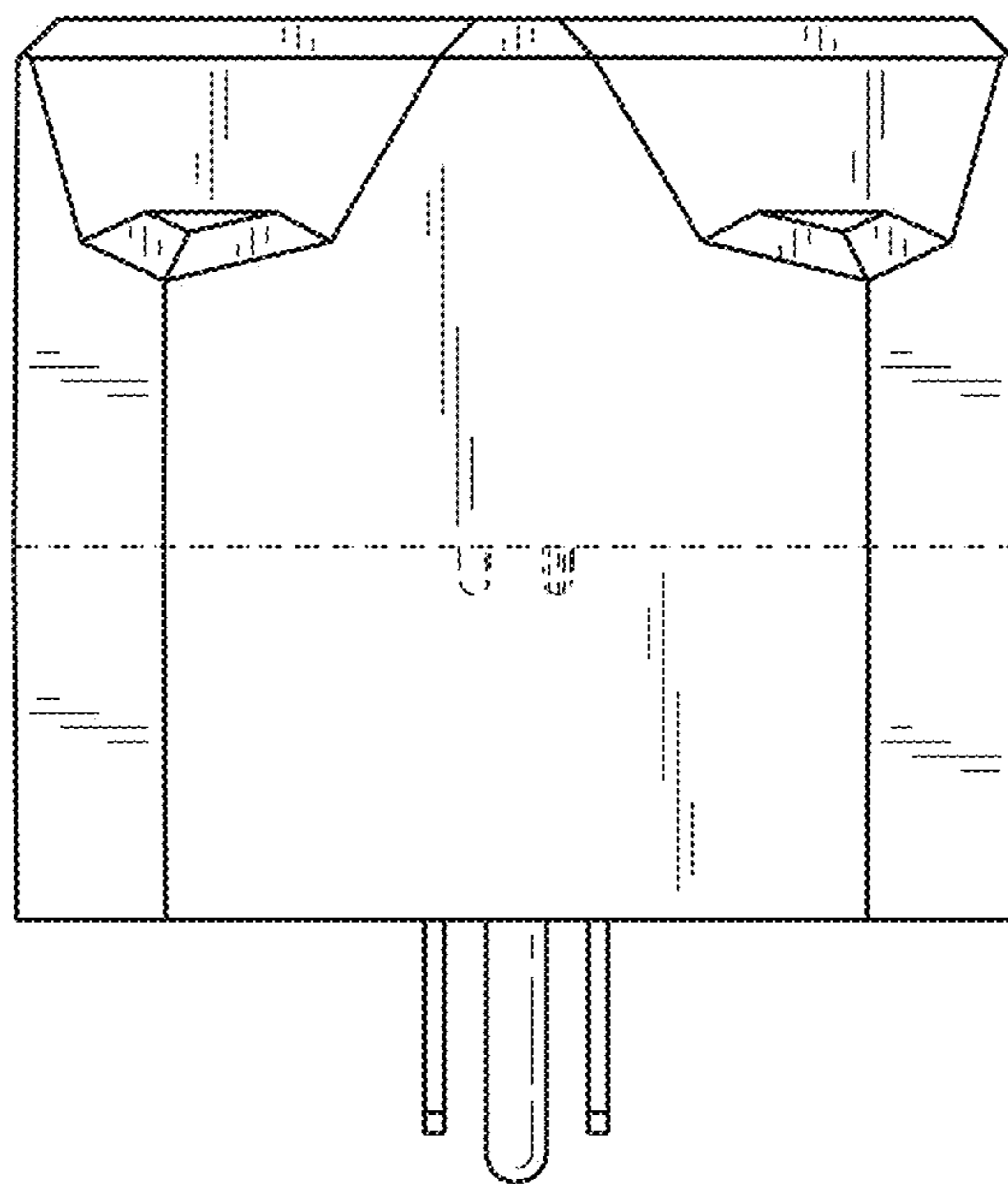


FIG. 4

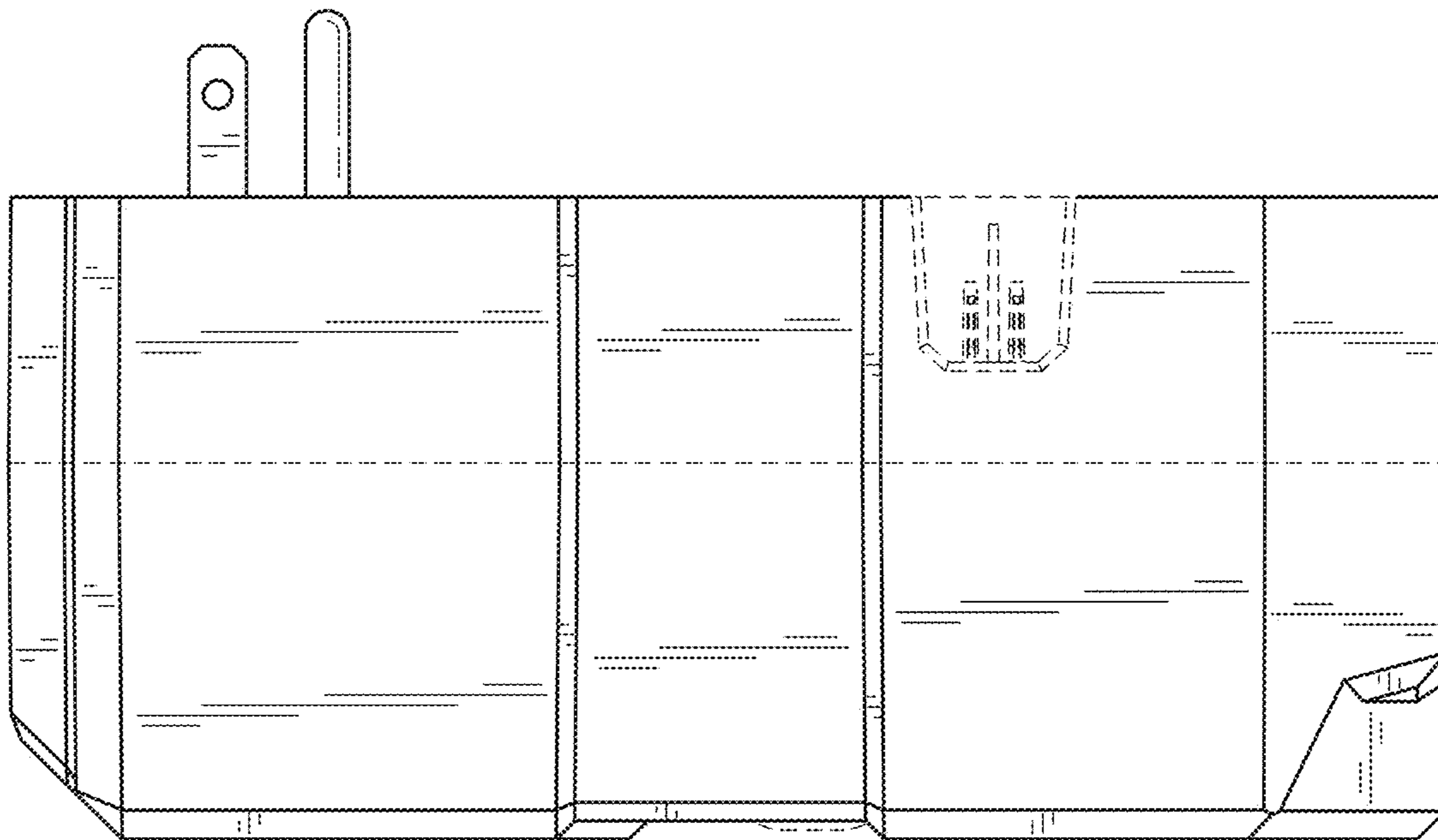


FIG. 6

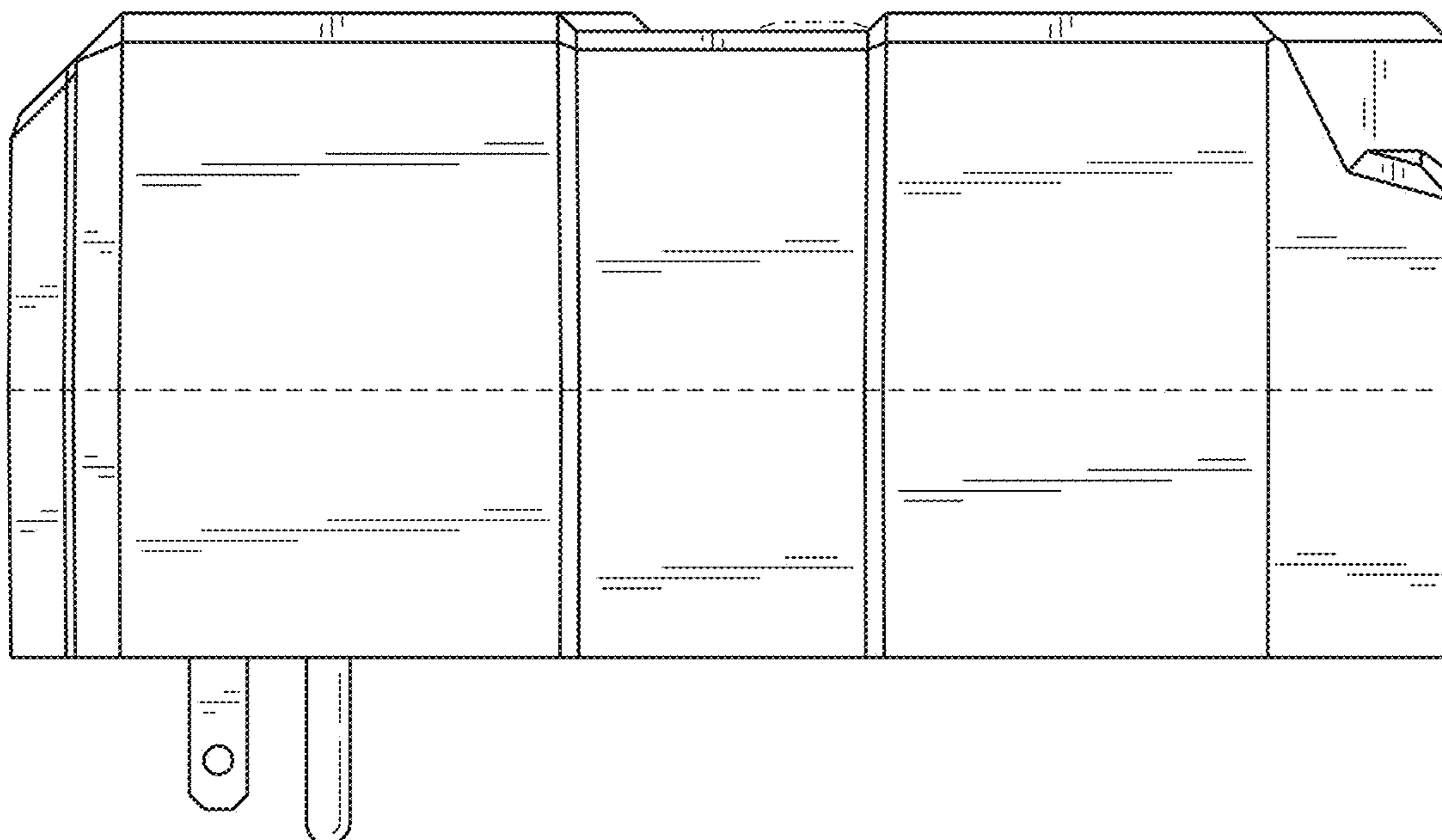


FIG. 5

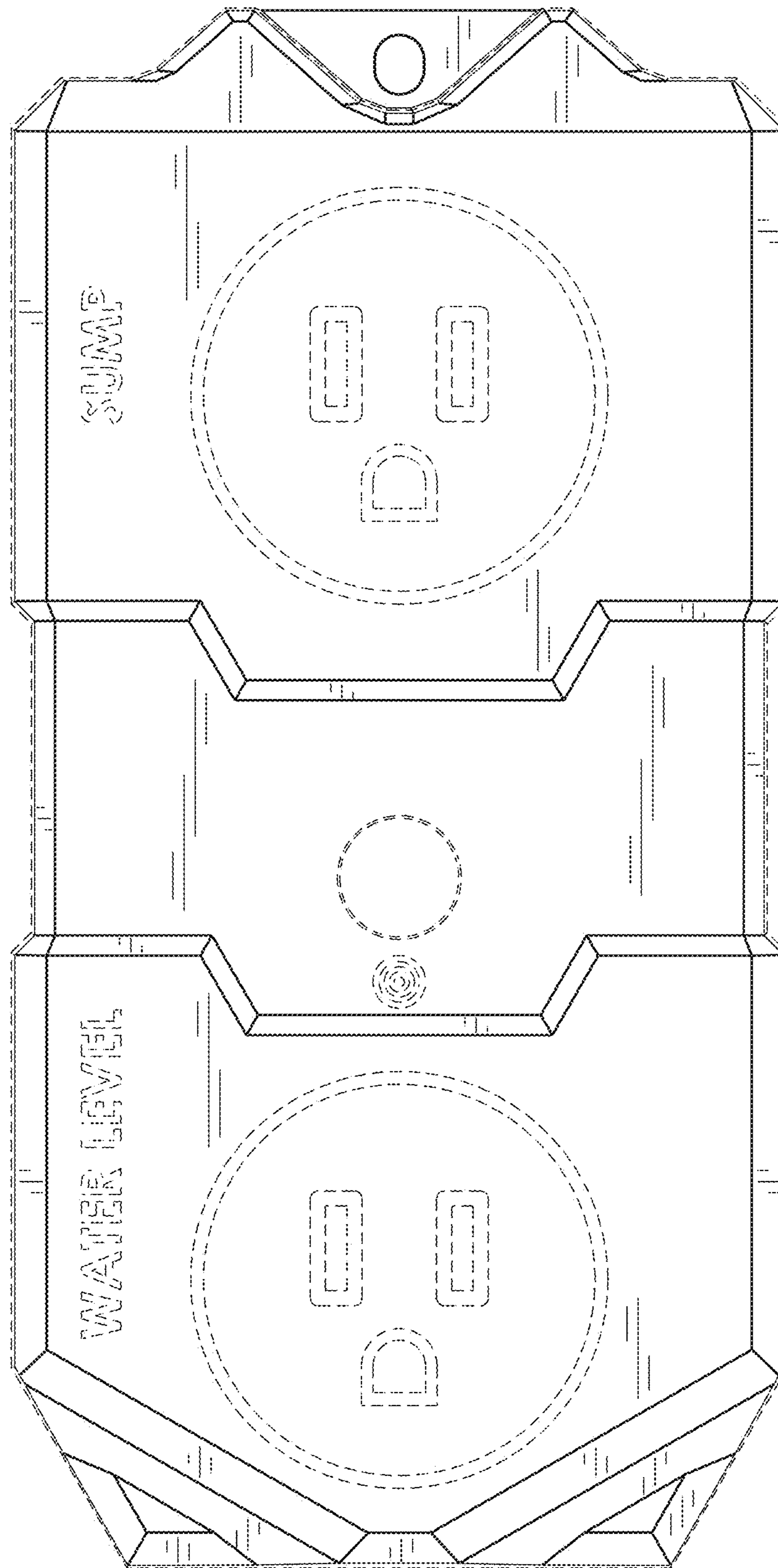


FIG. 7

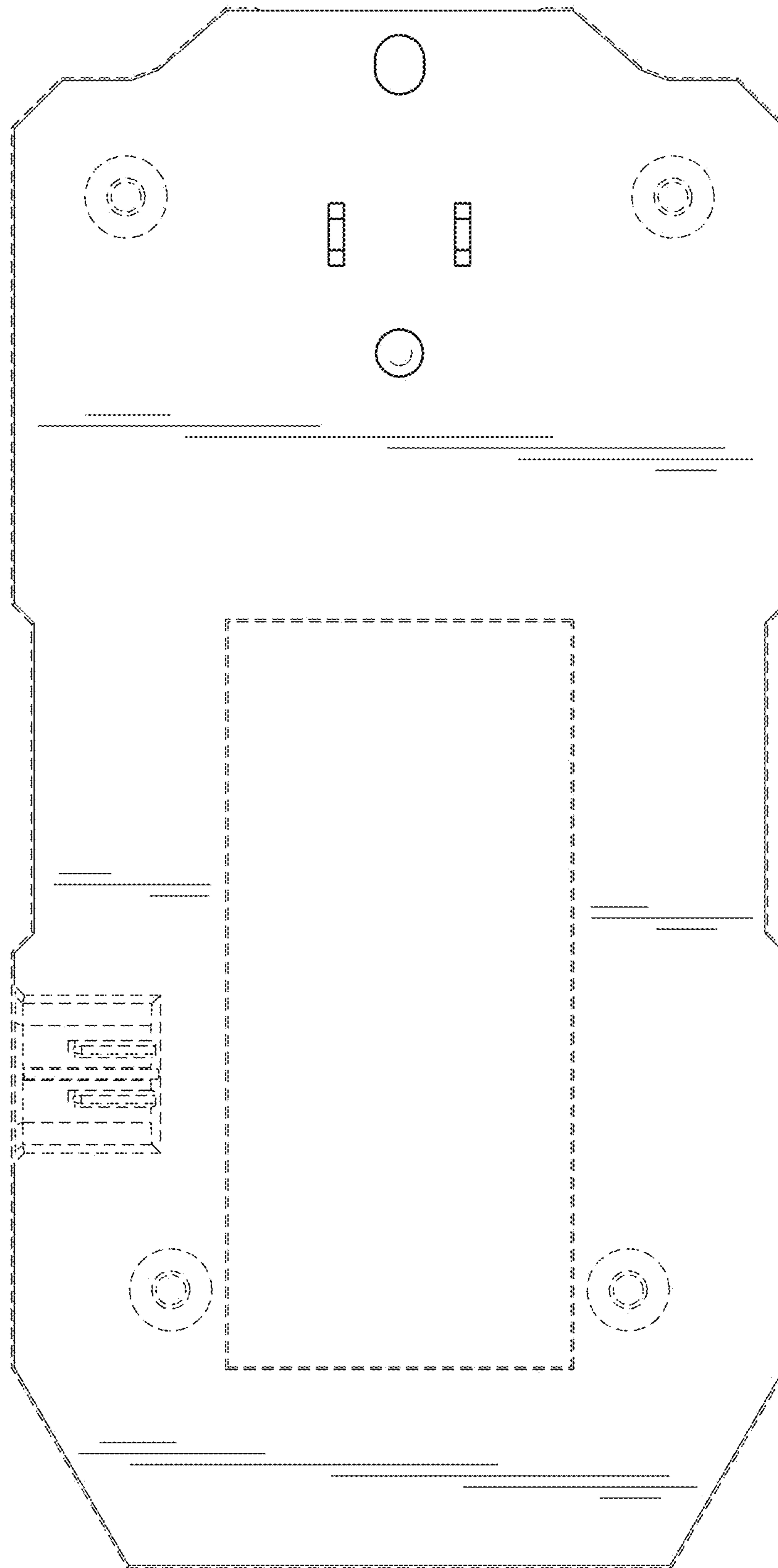


FIG. 8

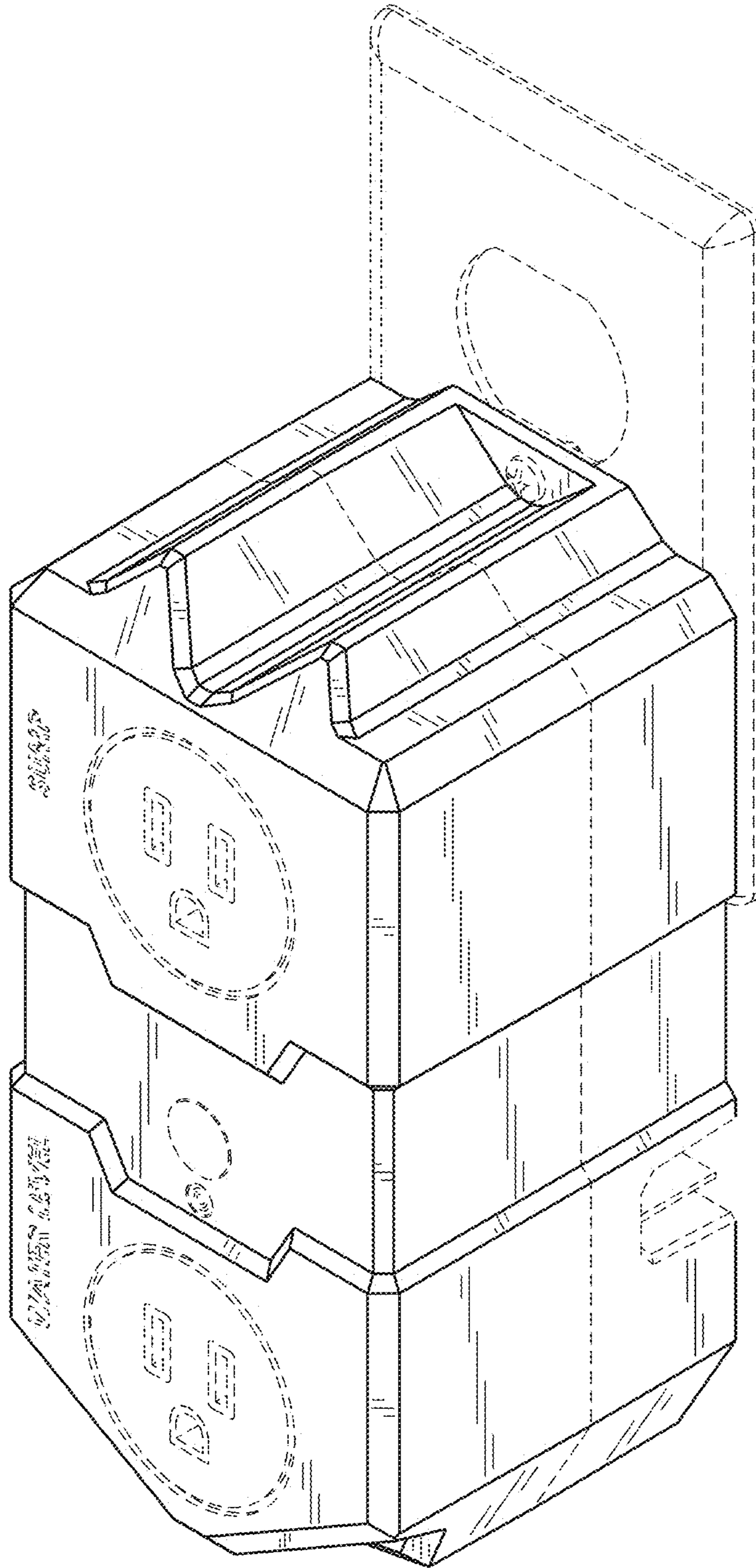


FIG. 9

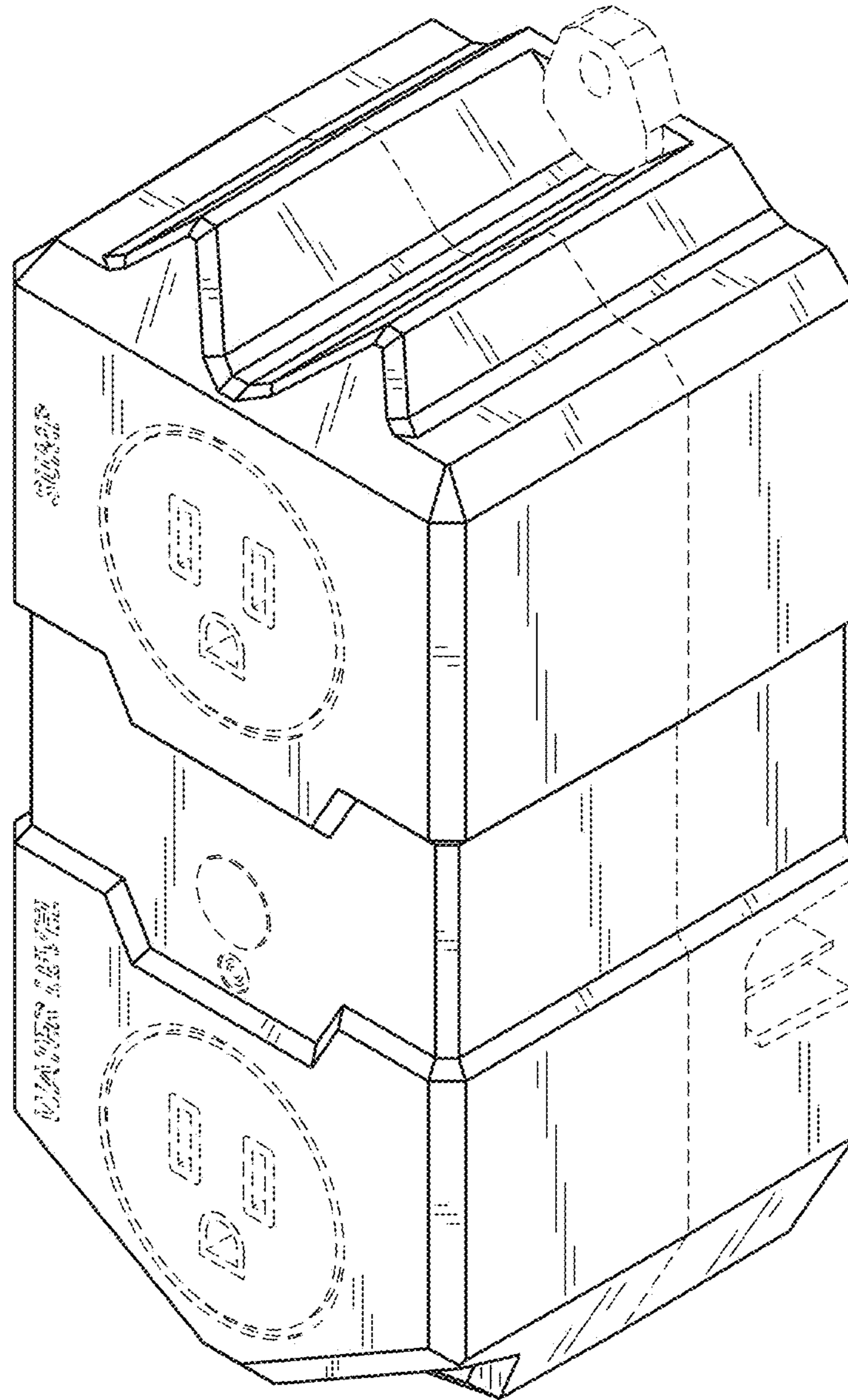


FIG. 10

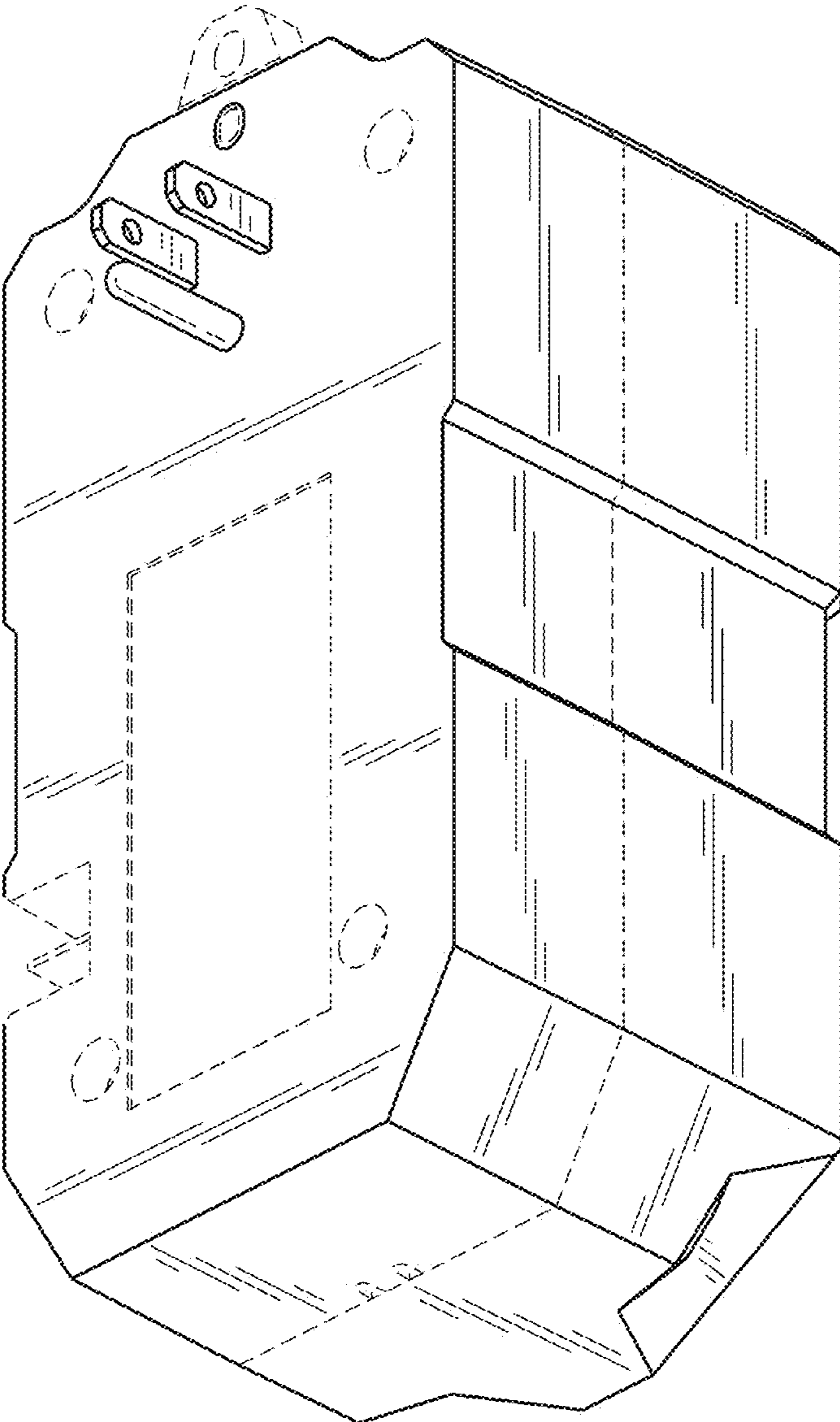


FIG. 11

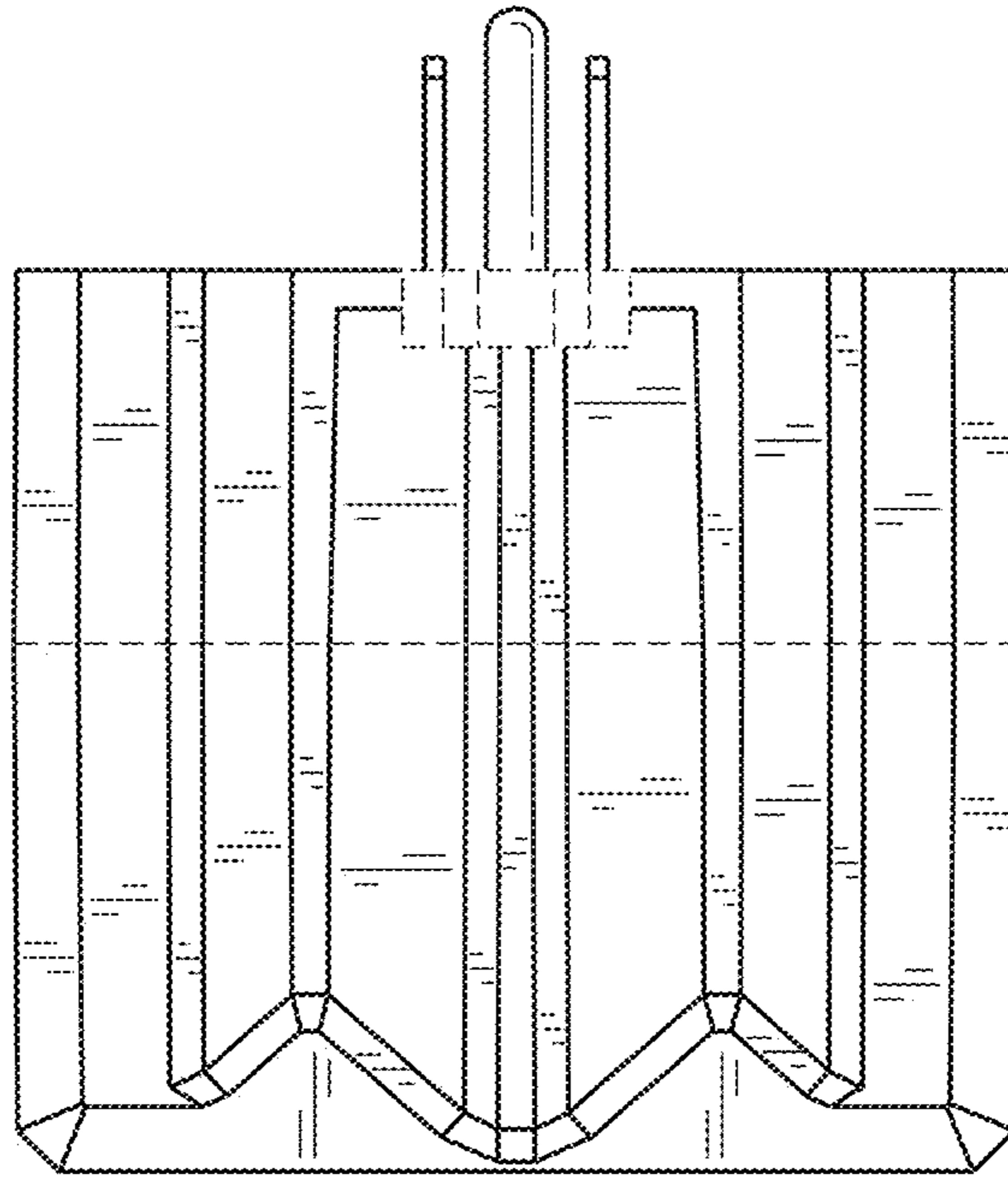


FIG. 12

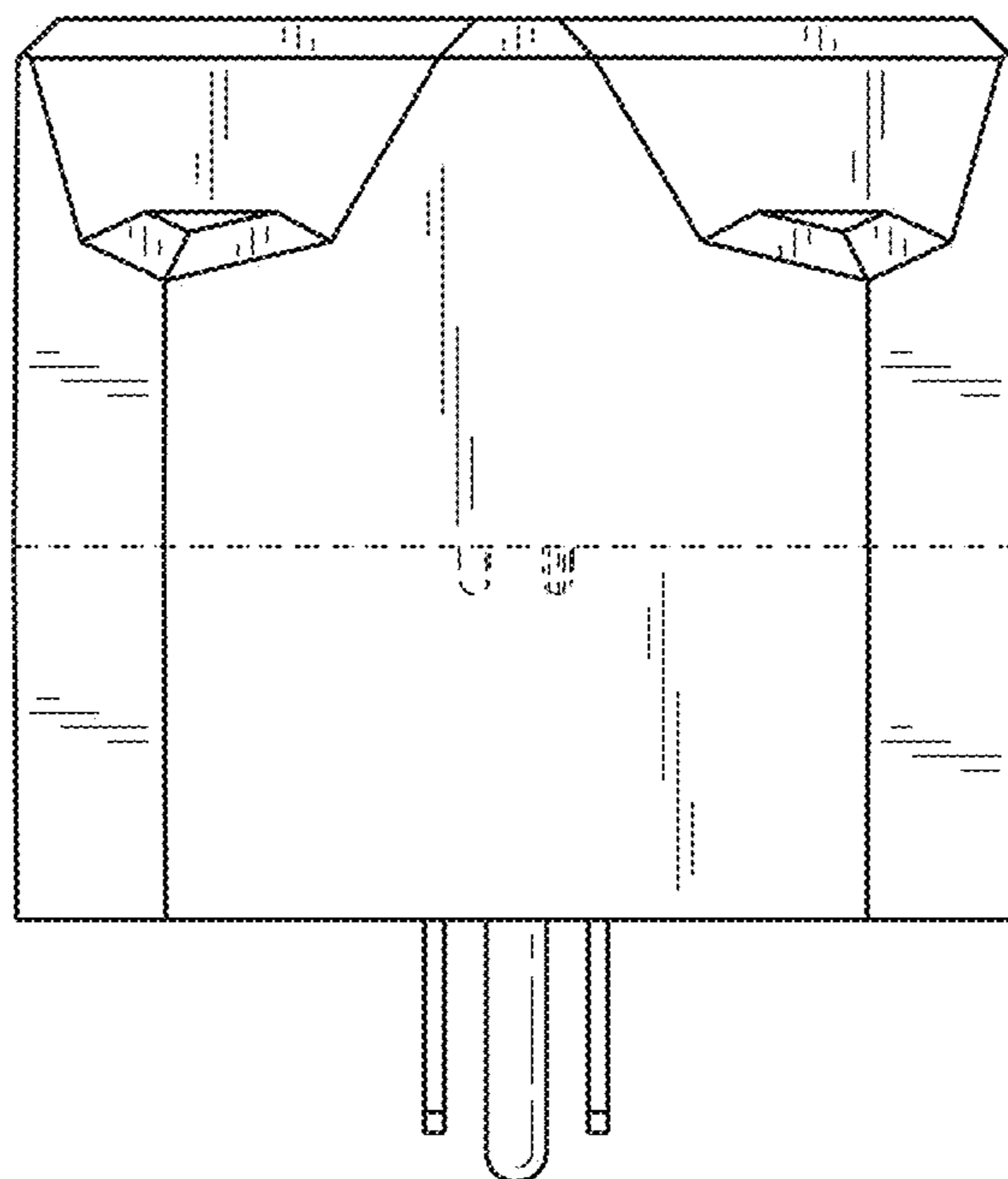


FIG. 13

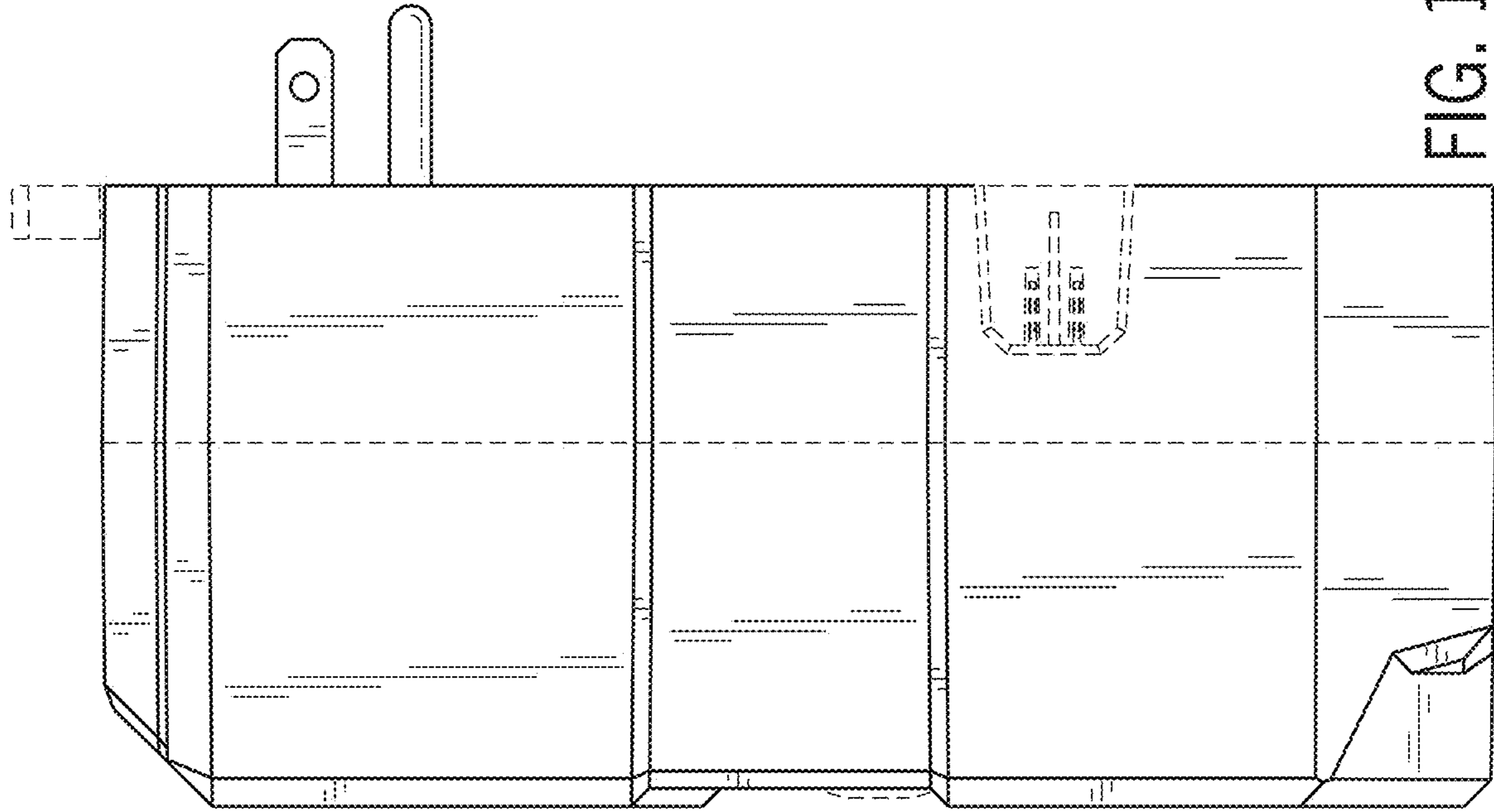


FIG. 15

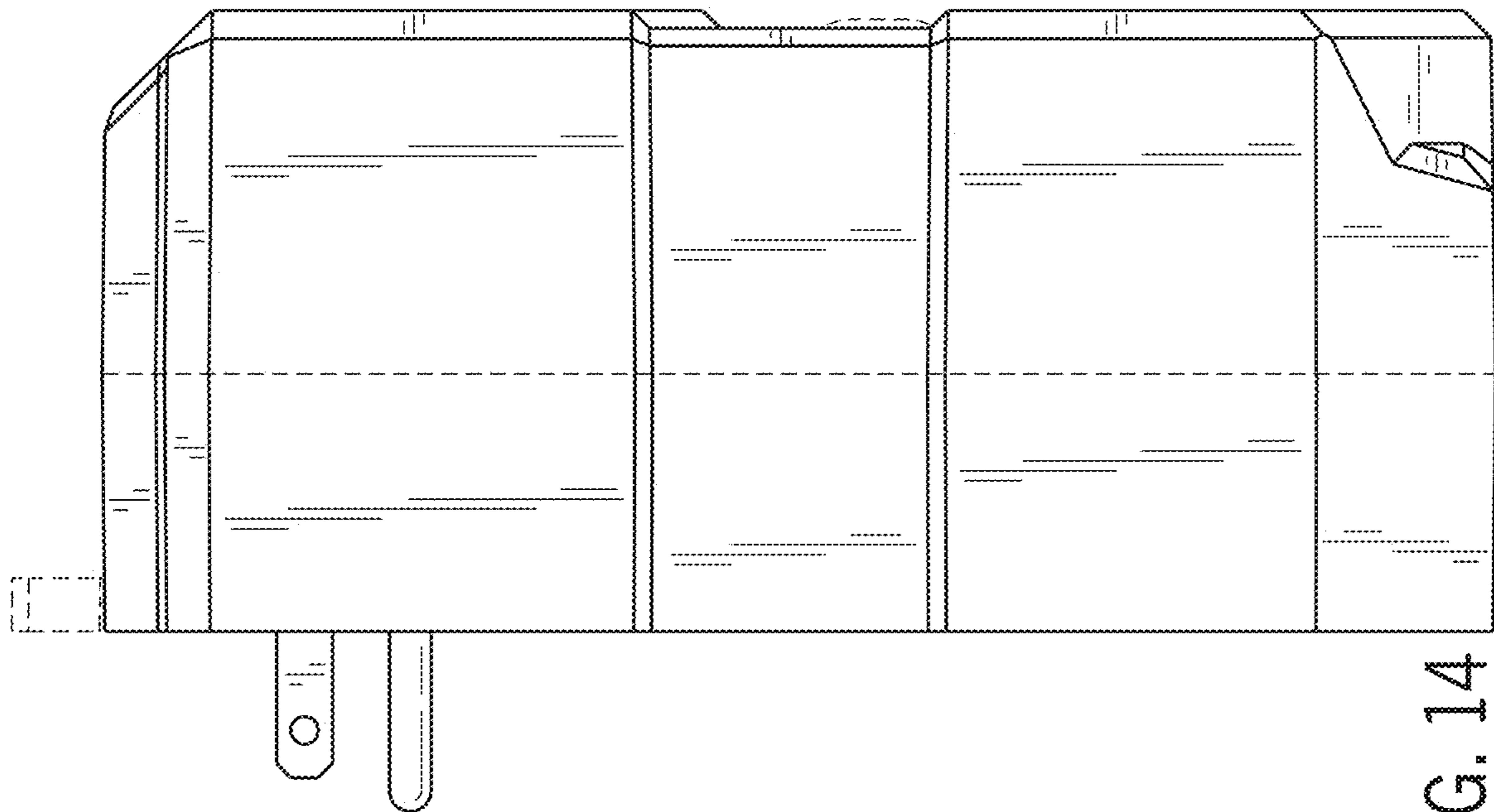


FIG. 14

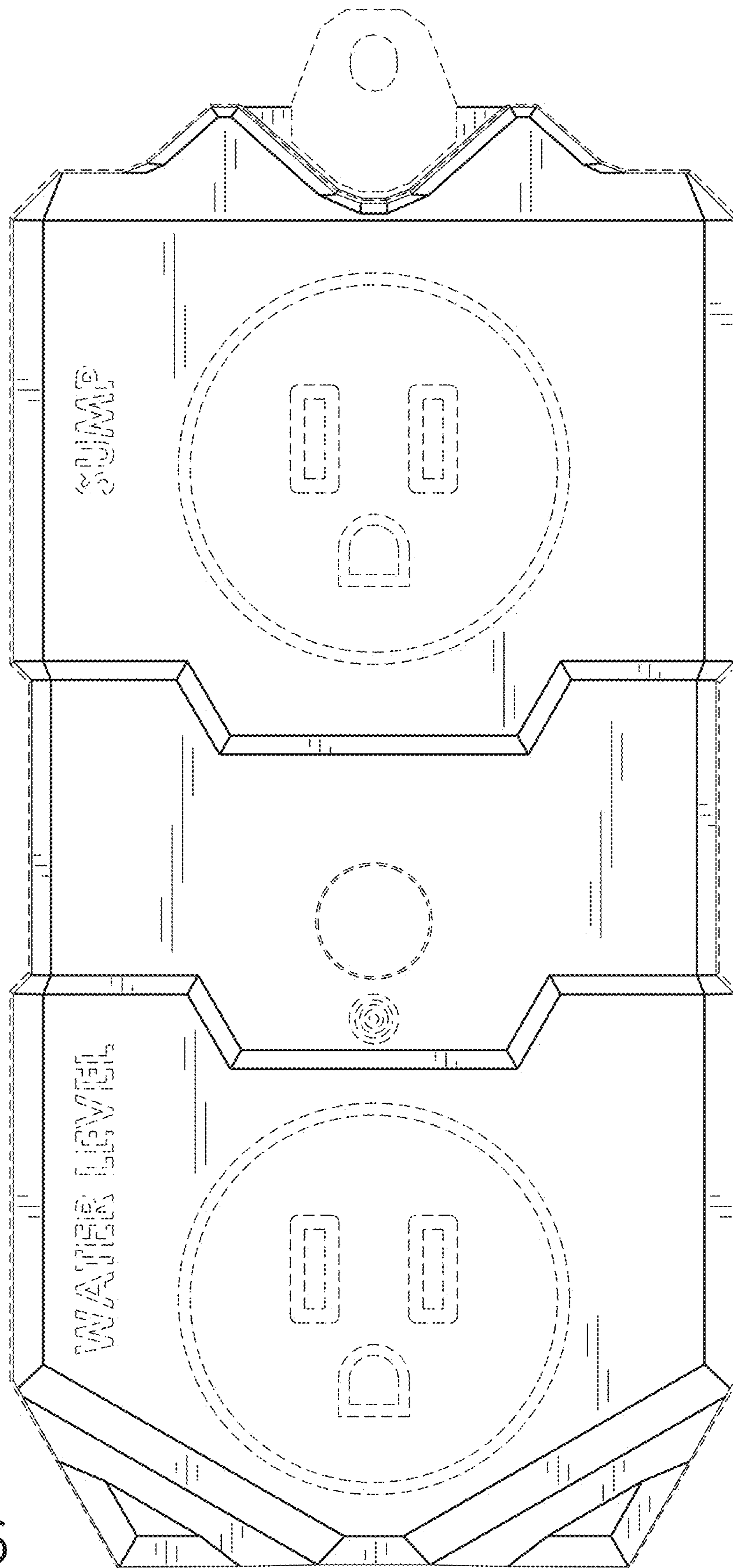


FIG. 16

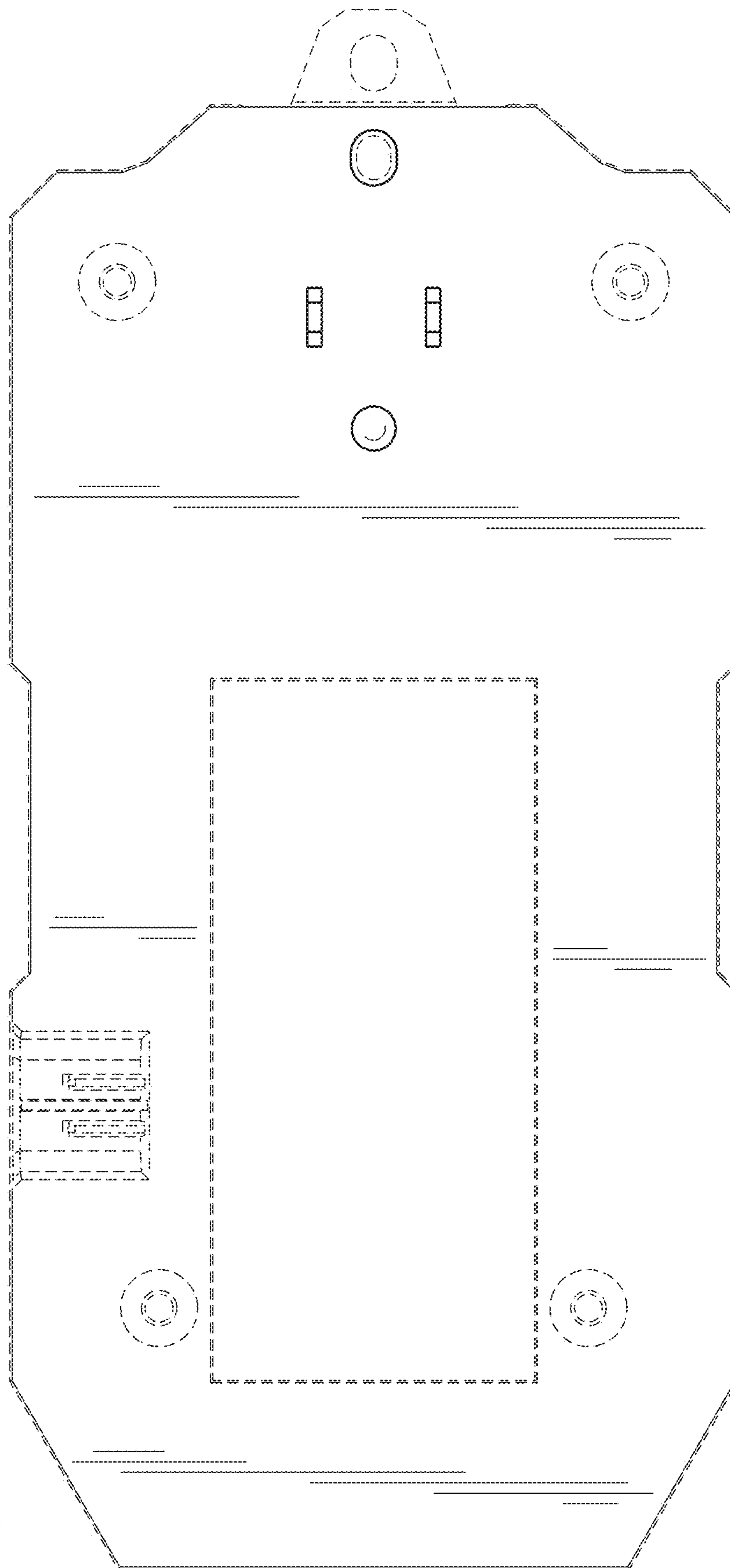


FIG. 17

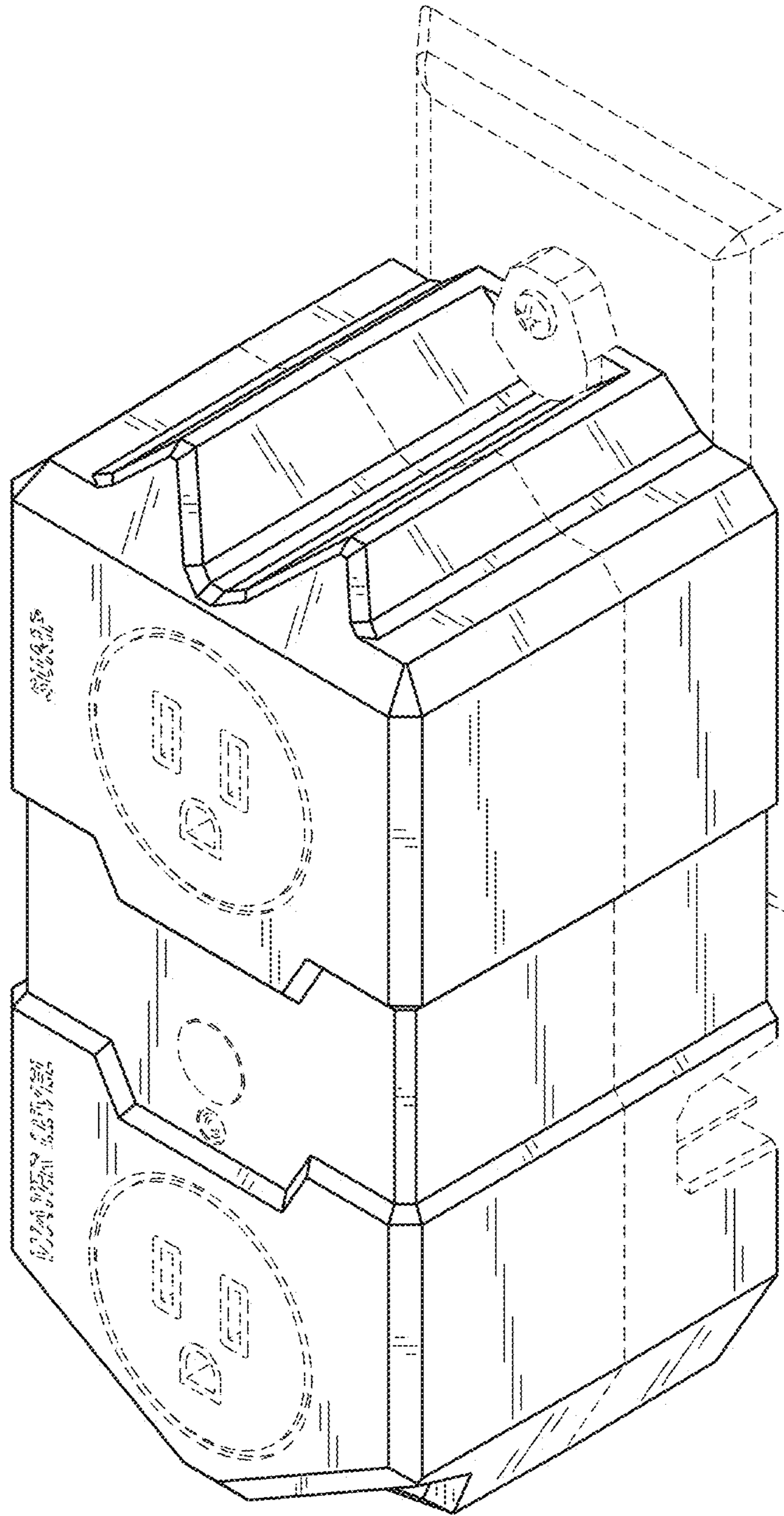


FIG. 18