



US00D965536S

(12) **United States Design Patent** (10) **Patent No.:** **US D965,536 S**
Zhang et al. (45) **Date of Patent:** **** Oct. 4, 2022**

(54) **TOUCH LED COMPONENT**

(71) Applicants: **Defond Electech Co., Ltd.**, Dongguan (CN); **Defond Components Limited**, Chaiwan (HK)

(72) Inventors: **Lei Zhang**, Dongguan (CN); **Guo Zhu Zeng**, Dongguan (CN); **Jian Hua Gong**, Dongguan (CN); **Ding Wei Que**, Dongguan (CN); **Yun Zhang**, Dongguan (CN)

(73) Assignees: **Defond Electech Co., Ltd.**, Dongguan (CN); **Defond Components Limited**, Hong Kong (CN)

(**) Term: **15 Years**

(21) Appl. No.: **29/717,954**

(22) Filed: **Dec. 19, 2019**

(30) **Foreign Application Priority Data**

Jul. 30, 2019 (CN) 201930410576.9

(51) **LOC (13) Cl.** **13-03**

(52) **U.S. Cl.**
USPC **D13/158**

(58) **Field of Classification Search**
USPC D13/135, 158, 159
See application file for complete search history.

(56) **References Cited**

U.S. PATENT DOCUMENTS

D512,690 S * 12/2005 Greene D13/158
D870,053 S * 12/2019 Wildman D13/158
2021/0037650 A1 * 2/2021 Zhang F21K 9/00

* cited by examiner

Primary Examiner — George D. Kirschbaum

(74) *Attorney, Agent, or Firm* — Nitin Kaushik

(57) **CLAIM**

The ornamental design for a touch LED component, as shown.

DESCRIPTION

FIG. 1 is a perspective view of the touch LED component showing our new design;

FIG. 2 is a front elevation view thereof;

FIG. 3 is a rear elevation view thereof;

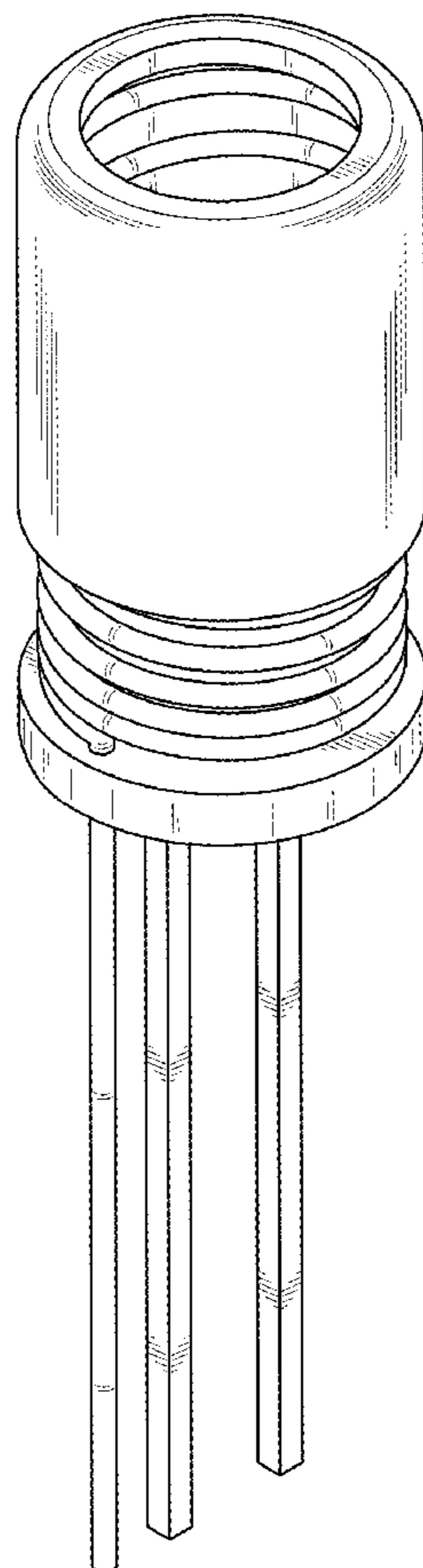
FIG. 4 is a left side elevation view thereof;

FIG. 5 is a right side elevation view thereof;

FIG. 6 is a top plan view thereof; and,

FIG. 7 is a bottom plan view thereof.

1 Claim, 7 Drawing Sheets



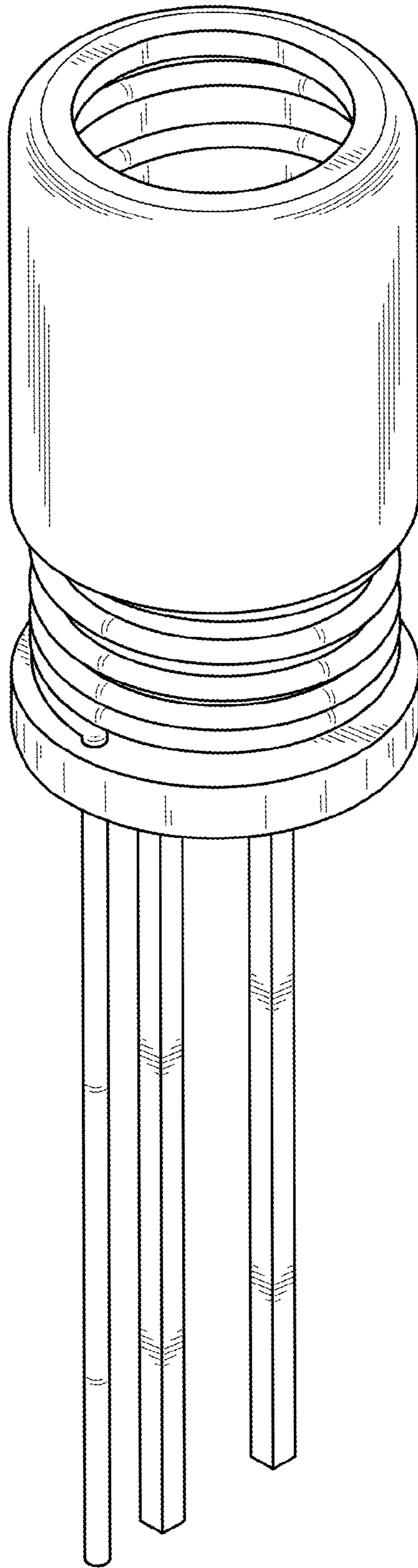


FIG.1

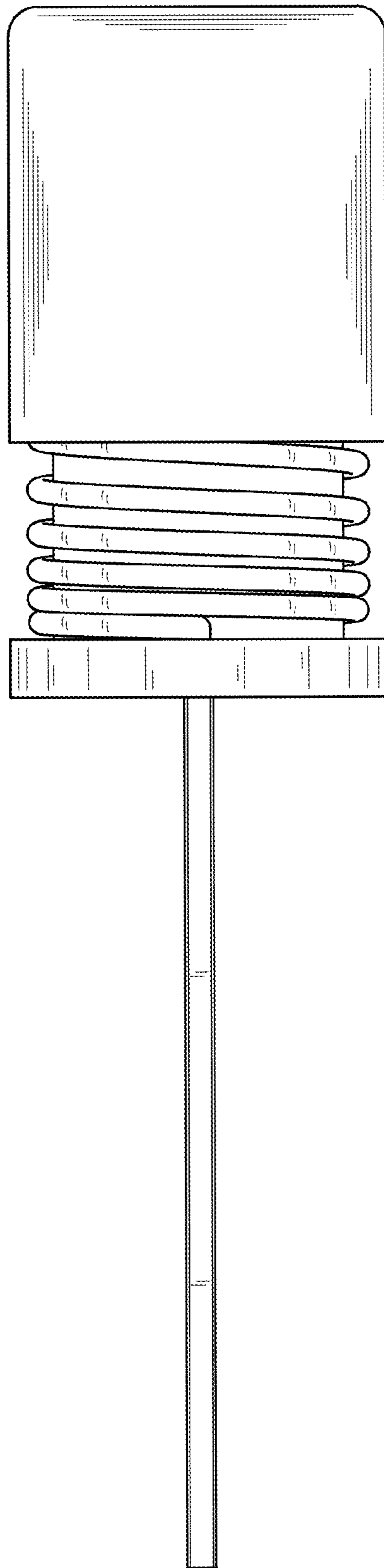


FIG.2

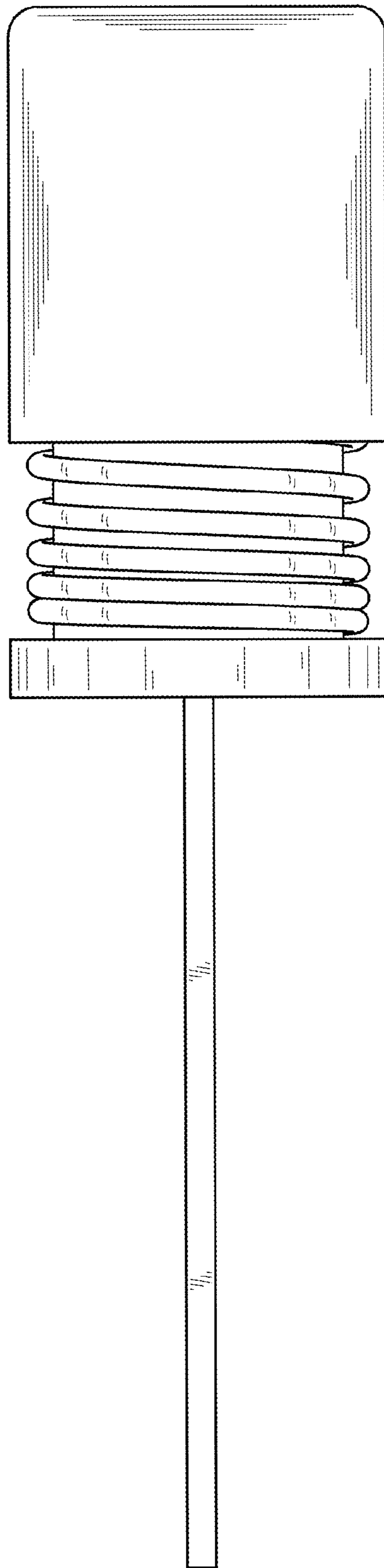


FIG.3

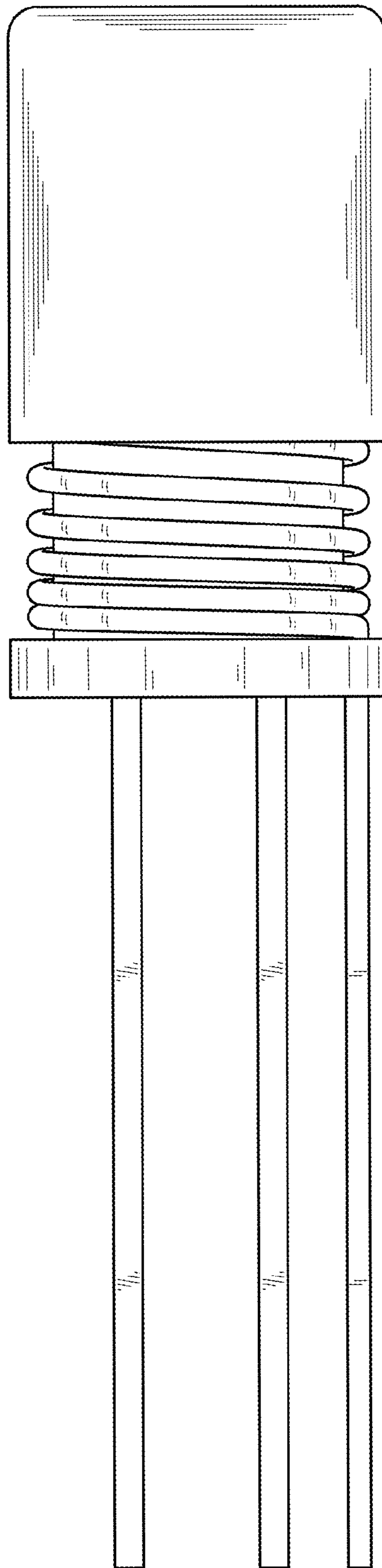


FIG.4

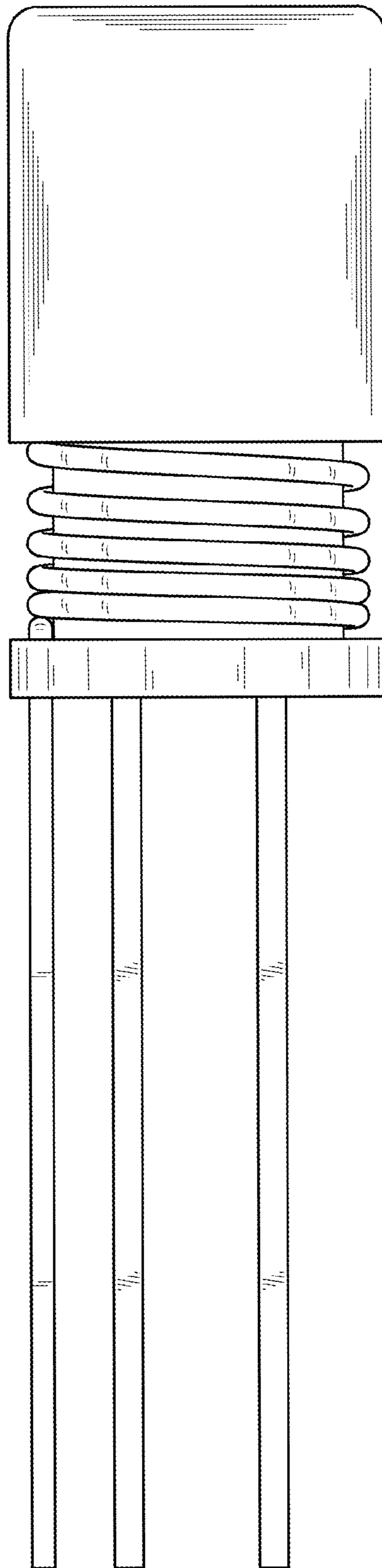


FIG.5

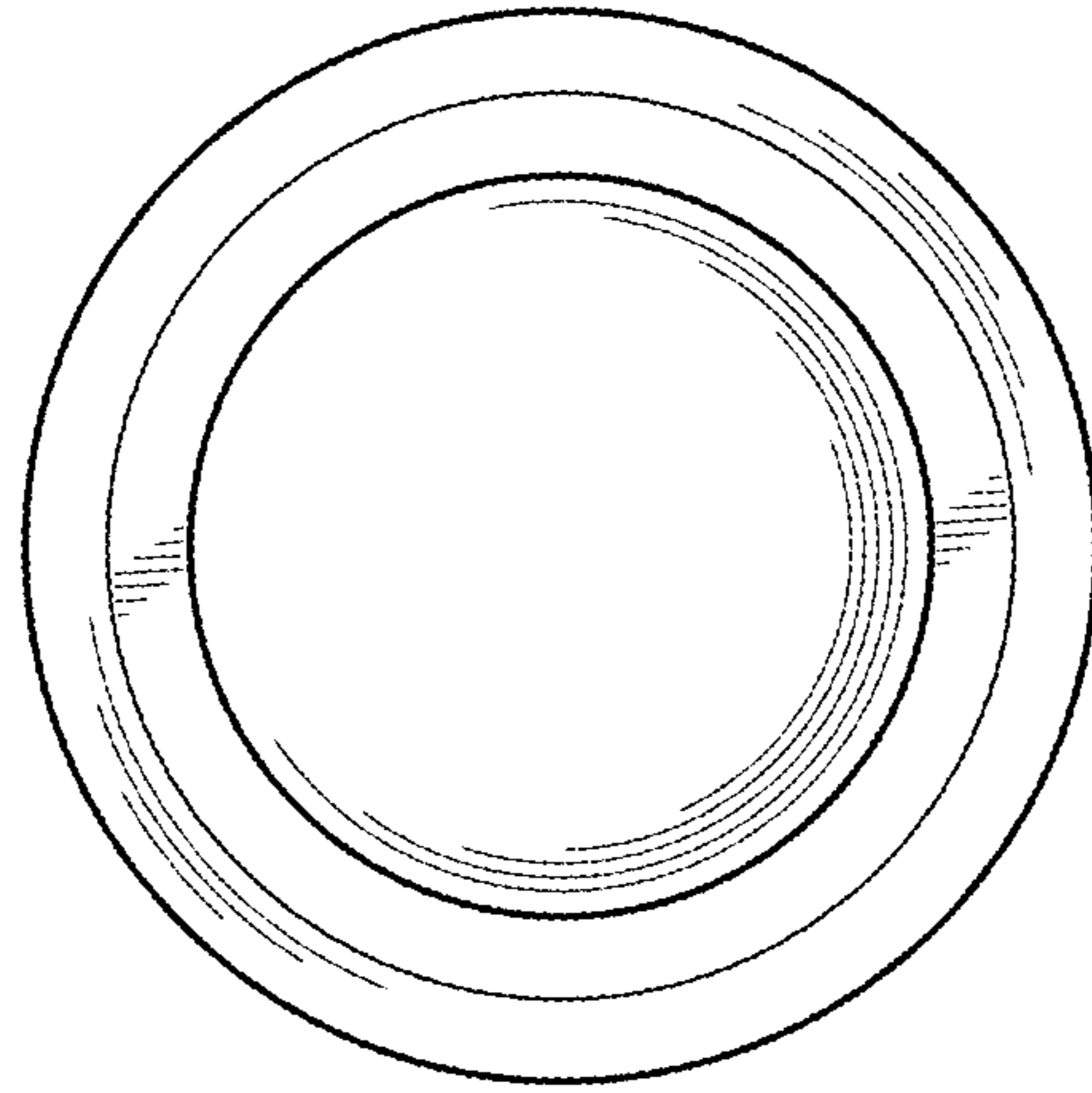


FIG.6

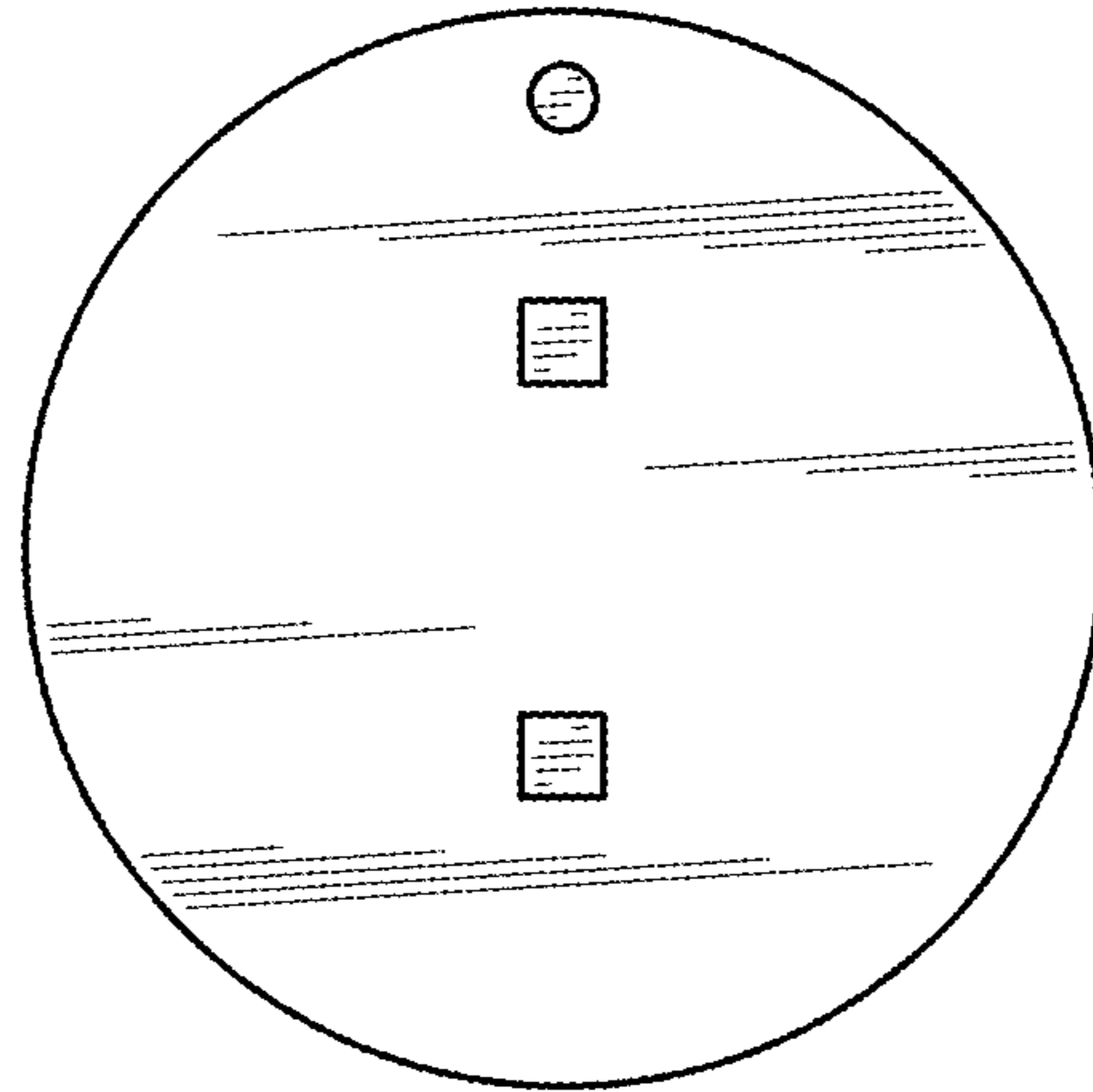


FIG.7