



US00D965534S

(12) **United States Design Patent**
Pedoeem et al.

(10) **Patent No.:** **US D965,534 S**
(45) **Date of Patent:** **** Oct. 4, 2022**

(54) **FLIPTOP LID**

25/006; H01R 9/00; H01R 11/00; H01R 35/04; H01R 2201/06; H01H 2207/00; H01H 2207/022; H01H 2203/00; H05K 5/00; H05K 5/03; H02G 3/088

(71) Applicant: **Crestron Electronics, Inc.**, Rockleigh, NJ (US)

See application file for complete search history.

(72) Inventors: **Albert Pedoeem**, West Orange, NJ (US); **David Paolazzi**, North Arlington, NJ (US)

(56) **References Cited**

(73) Assignee: **Crestron Electronics, Inc.**, Rockleigh, NJ (US)

U.S. PATENT DOCUMENTS

(**) Term: **15 Years**

6,046,405 A 4/2000 Obermann et al.
6,162,071 A 12/2000 Muller
(Continued)

(21) Appl. No.: **29/754,069**

OTHER PUBLICATIONS

(22) Filed: **Oct. 6, 2020**

“PUFP-CT-SS-WC”, first accessed Jul. 11, 2022. LewElectric.com [https://www.lewelectric.com/catalog/pufp-ct-ss-wc/#productShare] (Year: 2022).*

Related U.S. Application Data

(Continued)

(63) Continuation of application No. 16/864,923, filed on May 1, 2020, now Pat. No. 11,355,907.

(51) **LOC (13) Cl.** **13-03**

Primary Examiner — Rosemary K Tarcza
Assistant Examiner — Seth David Kumpf

(52) **U.S. Cl.**
USPC **D13/156**

(74) *Attorney, Agent, or Firm* — Crestron Electronics, Inc.

(58) **Field of Classification Search**
USPC D13/107, 108, 110, 137.1, 137.2, 137, 3, D13/137.4, 138.1, 138.2, 139.1, 139.2, D13/139.3, 139.4, 139.5, 139.6, 139.7, D13/139.8, 146, 151, 152, 153, 154, 158, D13/159, 160, 161, 162, 162.1, 163, 164, D13/165, 166, 167, 168, 169, 171, 172, D13/173, 174, 175, 176, 177, 178, 179, D13/184, 199, 156

(57) **CLAIM**

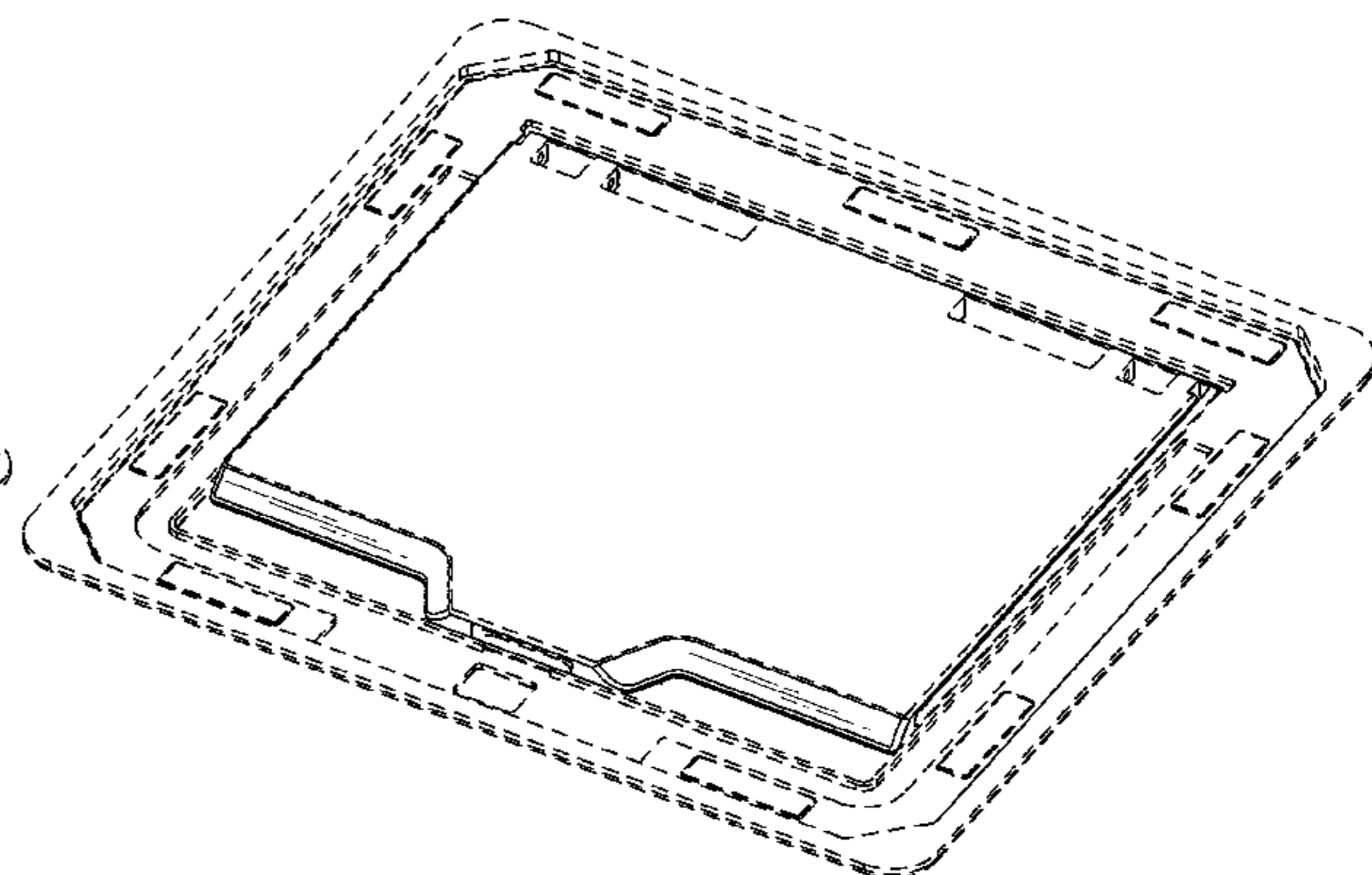
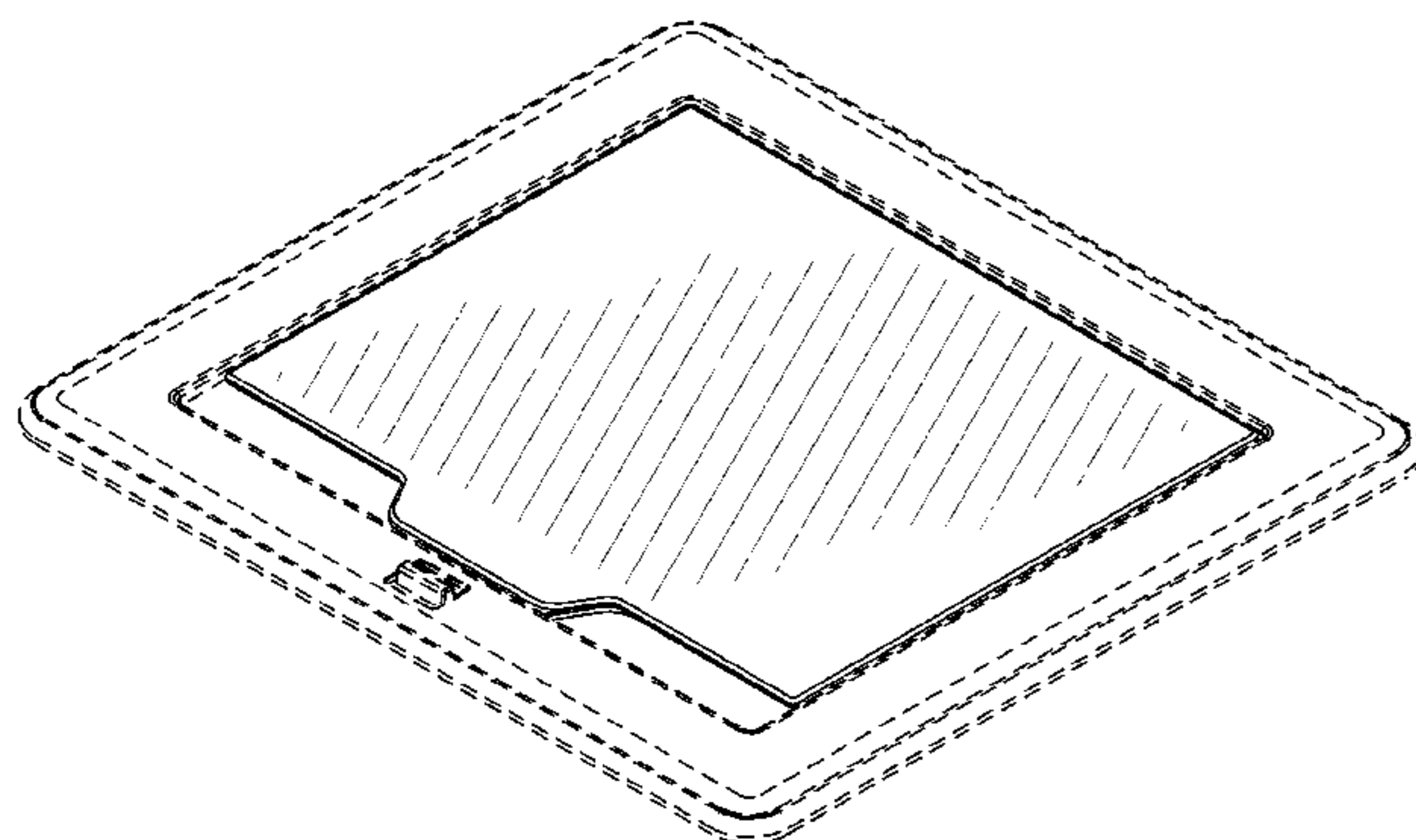
CPC H01R 13/00; H01R 13/03; H01R 13/04; H01R 13/10; H01R 13/35; H01R 13/44; H01R 13/46; H01R 13/453; H01R 13/4534; H01R 13/502; H01R 13/506; H01R 13/514; H01R 13/518; H01R 13/6272; H01R 13/631; H01R 13/639; H01R 13/652; H01R 13/665; H01R 13/6633; H01R 13/6666; H01R 13/6675; H01R 13/7135; H01R 31/02; H01R 31/06; H01R 31/065; H01R 25/00; H01R

The ornamental design for a fliptop lid, as shown and described.

DESCRIPTION

FIG. 1 shows a top isometric view of a fliptop lid according to an embodiment, showing the lid mounted in a bezel and in a closed position;
FIG. 2 shows a top isometric view thereof, showing the lid in an open position;
FIG. 3 shows a top plan view thereof; and,
FIG. 4 shows a bottom isometric view thereof.
The broken lines in the figures are for the purpose of illustrating portions of the fliptop lid that form no part of the claimed design.

1 Claim, 4 Drawing Sheets



(56)

References Cited

U.S. PATENT DOCUMENTS

D465,201 S 11/2002 Gershfeld
 D472,213 S * 3/2003 Byrne D13/139.4
 D473,525 S * 4/2003 Pincek D13/162
 6,802,577 B2 10/2004 Gershfeld
 D513,493 S 1/2006 Feldstein et al.
 D526,961 S * 8/2006 Kissinger D13/139.4
 D556,139 S * 11/2007 Gershfeld D13/139.4
 7,312,393 B2 12/2007 McCarthy et al.
 D569,863 S 5/2008 Feldstein et al.
 7,667,145 B2 2/2010 Dinh et al.
 D626,069 S * 10/2010 Byrne D13/139.4
 D626,542 S 11/2010 Libman et al.
 D628,097 S 11/2010 Libman et al.
 D628,098 S 11/2010 Libman et al.
 D628,099 S 11/2010 Libman et al.
 D638,314 S 5/2011 Libman et al.
 D638,315 S 5/2011 Libman et al.
 D639,680 S 6/2011 Libman et al.
 D639,681 S 6/2011 Rodriguez et al.
 D640,577 S 6/2011 Libman et al.
 D640,939 S 7/2011 Libman et al.
 D640,940 S 7/2011 Libman et al.
 7,989,710 B2 8/2011 Hansen et al.
 D657,315 S 4/2012 Feldstein et al.
 D664,050 S 7/2012 Rodriguez et al.
 D665,355 S * 8/2012 Byrne D13/139.4
 D678,786 S 3/2013 Rodriguez et al.
 8,469,303 B2 6/2013 Feldstein et al.
 8,469,304 B2 6/2013 Feldstein et al.
 8,469,305 B2 6/2013 Feldstein et al.
 D686,992 S 7/2013 Eisen
 8,896,656 B2 11/2014 Epstein et al.
 8,943,978 B2 2/2015 Soper et al.
 9,056,744 B2 6/2015 Feldstein et al.
 D734,729 S 7/2015 Chaloupecky et al.
 9,257,776 B2 2/2016 Kramer
 D759,596 S * 6/2016 Byrne D13/137.2
 9,407,033 B2 * 8/2016 Kong H01R 13/5227
 9,475,673 B2 10/2016 Feldstein et al.
 D775,080 S 12/2016 Newhouse
 9,706,833 B2 7/2017 Newhouse et al.
 D801,285 S 10/2017 Timmins et al.
 D811,337 S * 2/2018 Byrne D13/137.2
 D858,450 S * 9/2019 Jhun D14/134
 D858,451 S * 9/2019 Jhun D14/134
 D859,313 S * 9/2019 Jhun D14/134
 D859,314 S * 9/2019 Jhun D14/134
 D860,996 S * 9/2019 Jhun D14/432
 D860,997 S * 9/2019 Jhun D14/432
 D863,224 S * 10/2019 Jhun D14/134
 D863,225 S * 10/2019 Jhun D14/134
 D864,117 S * 10/2019 Byrne D13/139.4
 D887,984 S * 6/2020 Byrne D13/184
 2003/0070592 A1 4/2003 Grasse et al.
 2012/0175452 A1 7/2012 Feldstein et al.
 2013/0068870 A1 3/2013 Feldstein et al.
 2014/0265753 A1 9/2014 Soper et al.
 2014/0346268 A1 11/2014 Feldstein et al.
 2015/0166299 A1 6/2015 Feldstein et al.
 2017/0063009 A1 * 3/2017 Los H01R 27/02
 2019/0148874 A1 * 5/2019 Sorrentino H01R 13/5213
 439/136
 2019/0161314 A1 5/2019 Replogle et al.
 2019/0166707 A1 5/2019 Pedoem et al.

OTHER PUBLICATIONS

“Countertop Box Kits”, first published 2016 by Arlington Industries, Inc. (Year: 2016).*

“FT2-1200-ELEC-PTL”, first available Nov. 5, 2021. Published by Crestron Electronics, p. 1. (Year: 2021).*

“FT2-700-ELEC-PTL”, first available Nov. 4, 2021. Published by Crestron Electronics, p. 1. (Year: 2021).*

“Crestron FT2 Series FlipTops™ Revolutionize the Presentation Experience at ISE 2019”, first posted Feb. 4, 2019. Crestron.com [https://www.crestron.com/News/Press-Releases/2019/Crestron-FT2-Series-FlipTops-Revolutionize-the-Pr] (Year: 2019).*

AMX, HydraPort: Connecting the Perfect Meeting, Product Guide, Rev. V3 (Sep. 8, 2014), available at pdf.archiexpo.com/pdf/amx/hydraport/51274-177337.html.

Arthur Holm, Albiral Display Solutions SL, Catalog, EN2016-2017, available at www.arthurholm.com/wp-content/uploads/2017/03/AH_Catalogue_2017.pdf.

Bachmann Electrical Engineering Ltd., Facility Solutions, System solutions for Office, conference and meeting rooms, Jun. 2016, available at genproel-el.gr/data/documents/2017.pdf.

Crestron, Crestron FlipTops, D4520-C_201410, 2014, available at www.crestron.com/downloads/pdf/product_brochures/crestron_fliptops_brochure.pdf.

Extron, Cable Cubby 202, 2014, available at www.extron.com/download/files/brochure/CC_202_Printable_A4.pdf.

Extron, Cable Cubby 500, 2014, available at www.extron.com/download/files/brochure/CC_500_Printable_A4.pdf.

Extron, Cable Cubby 700, 2014, available at www.extron.com/download/files/brochure/CC_700_Printable_A4.pdf.

Extron, Cable Cubby 1200, 2014, available at www.extron.com/download/files/brochure/CC_1200_Printable_letter_size.pdf.

Extron, Cable Cubby 1400, 2014, available at www.extron.com/download/files/brochure/CC_1400_Printable_letter_size.pdf.

Extron, Cable Cubby Series 2, Mar. 2016, 68-2604-01, Rev. C, available at www.extron.com/download/files/brochure/cable_cubby_series_2_verA4.pdf.

Extron Catalog, AAP—Architectural Adapter Plates, 2012 Product Catalog, available at www.extron.com/download/files/general/aaps_12cat_en.pdf.

FSR Inc., T6 Flex, LIT1434A, 2015, available at fsrinc.com/documents/spec-sheet/9187-lit1434c-t6-flex-spec-sheet-pdf/file.

FSR Inc., Table Boxes, LIT1187H, 2014, available at www.novotech.com.mx/wp-content/uploads/2016/03/1187H-Table-Box-Brochure.pdf.

Herman Miller, Inc., Logic Power Access Solutions, 2015, available at www.hermanmiller.com/content/dam/hermanmiller/documents/product_literature/product_sheets/Logic_Power_Access_Solutions_product_sheet.pdf.

Extron Electronics, “Hideaway” Family Brochure, 2002.

Extron Electronics, Extron® Hideaway Series Brochure, 2002.

Kramer Electronics Ltd., K-Able/XL Box Cable Retractor, User Manual, P/N: 2900-300441 Rev 3, 2015, available at k.kramerav.com/downloads/manuals/k-able_xl_box.pdf.

Kindermann, MultiMedia connection systems, 2014, available at www.kindermann.de/fileadmin/medien/printmedien/MultiMedia_connection_systems/GB/MultiMedia_connection_systems_GB.pdf.

Legrand, Wiremold® AVIP Series Device Plates, ED1670R3—Updated Jan. 2015, available at www.legrand.us/wiremold.aspx.

Legrand, Wiremold®, Dequorum™ Flip-Up Table Boxes, ED1755 0715, 2015, available at www.middleatlantic.com.

Legrand, Wiremold® Table Boxes, Table Boxes bring technology to the point-of-use, ED1706R5—Updated Mar. 2016, available at www.legrand.us/wiremold.aspx.

Legrand, wiremold®, InteGreat™ A/V Table Box, ED1699R1 0913, 2013, available at www.legrand.us/wiremold.aspx.

Legrand, wiremold®, Meeting Room Solutions, ED1710, 2013, available at www.legrand.us/wiremold.aspx.

Legrand, wiremold® Table Boxes, ED1652R3—Updated Apr. 2016, available at www.legrand.us/wiremold.aspx.

Soltec, LCD-TFT Solutions, 2015, available at dvs.rs/wp-content/uploads/2017/07/ENGLISH-SOLTEC-CATALOGUE.pdf.

* cited by examiner

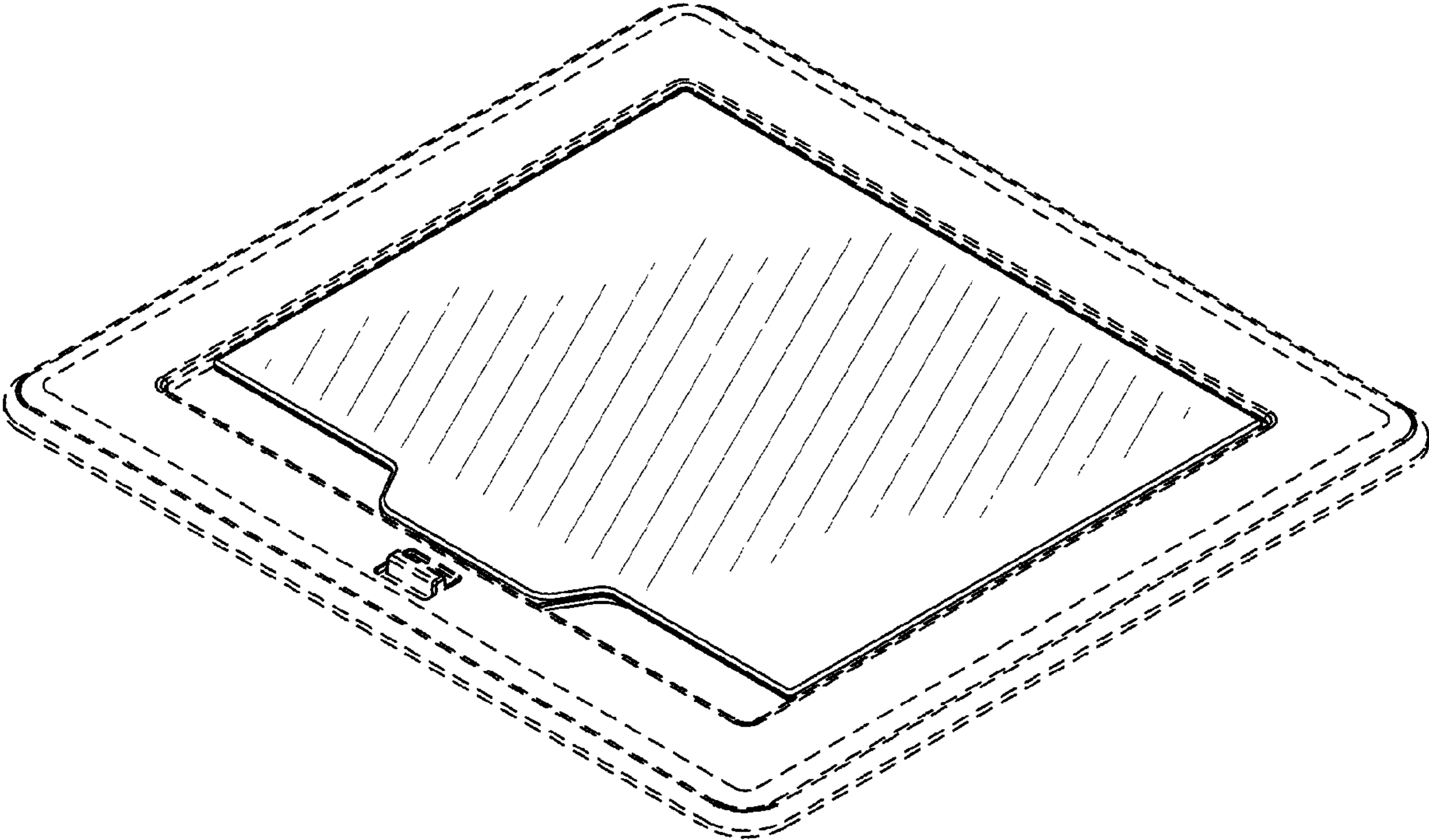


FIG. 1

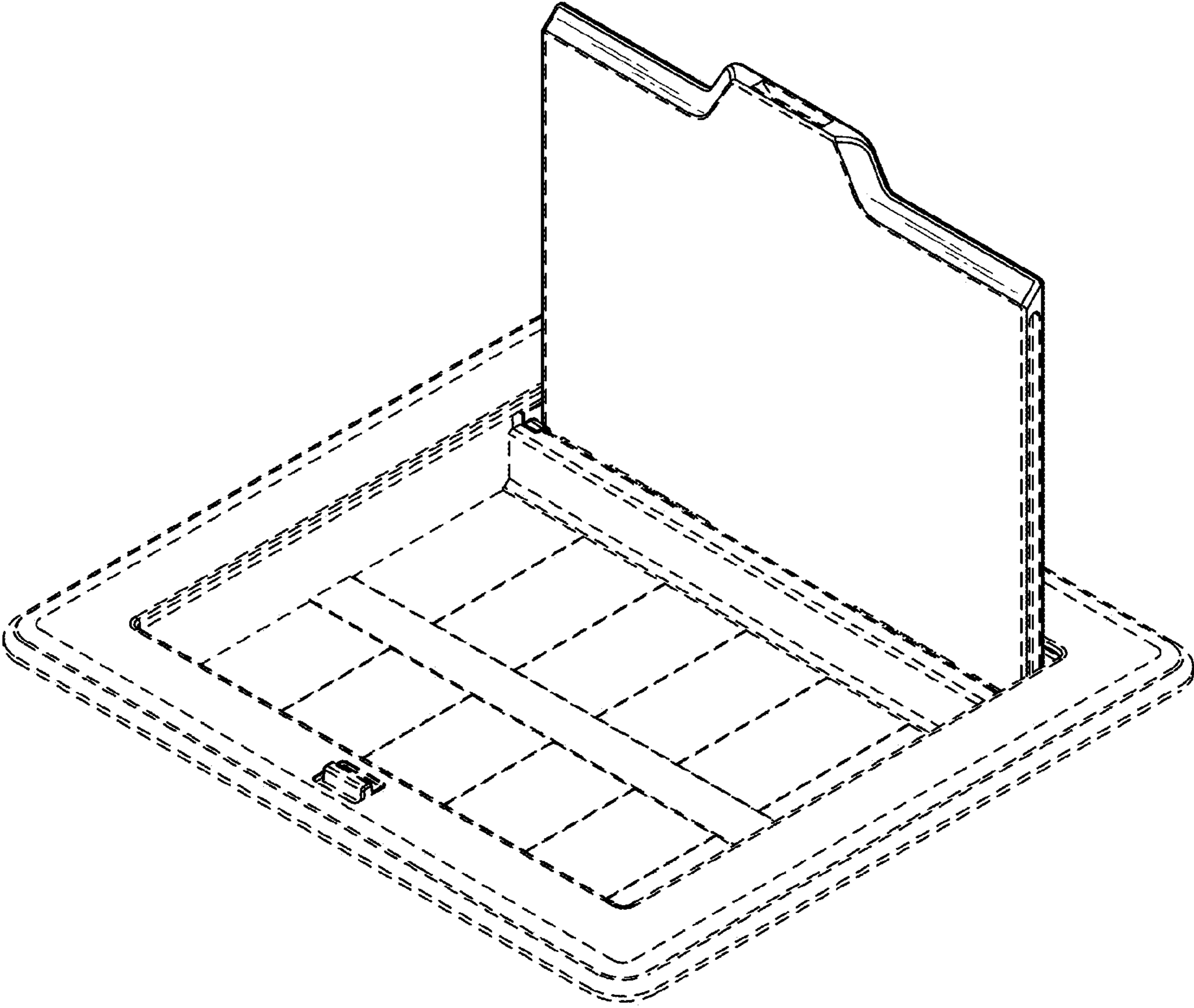


FIG. 2

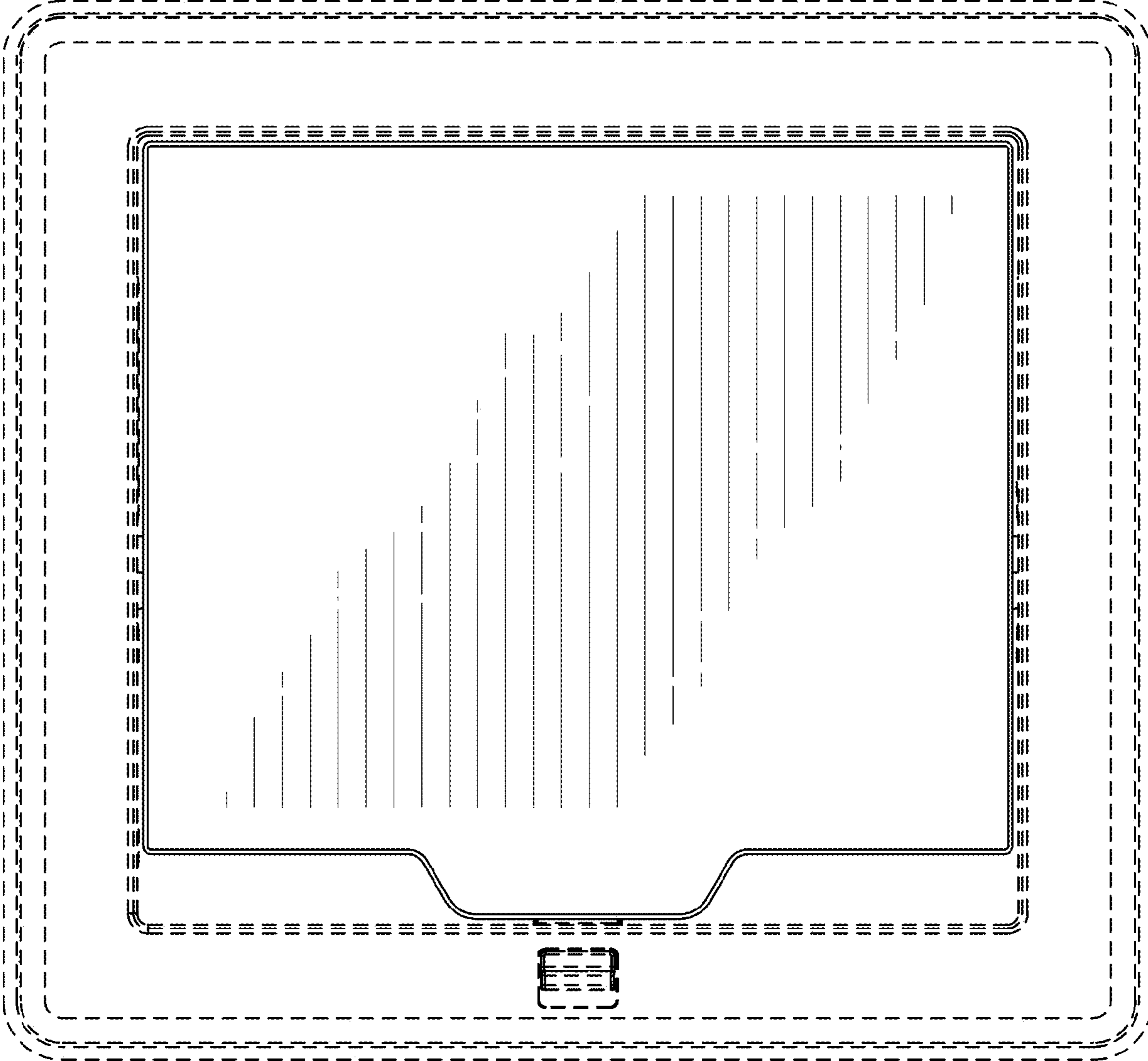


FIG. 3

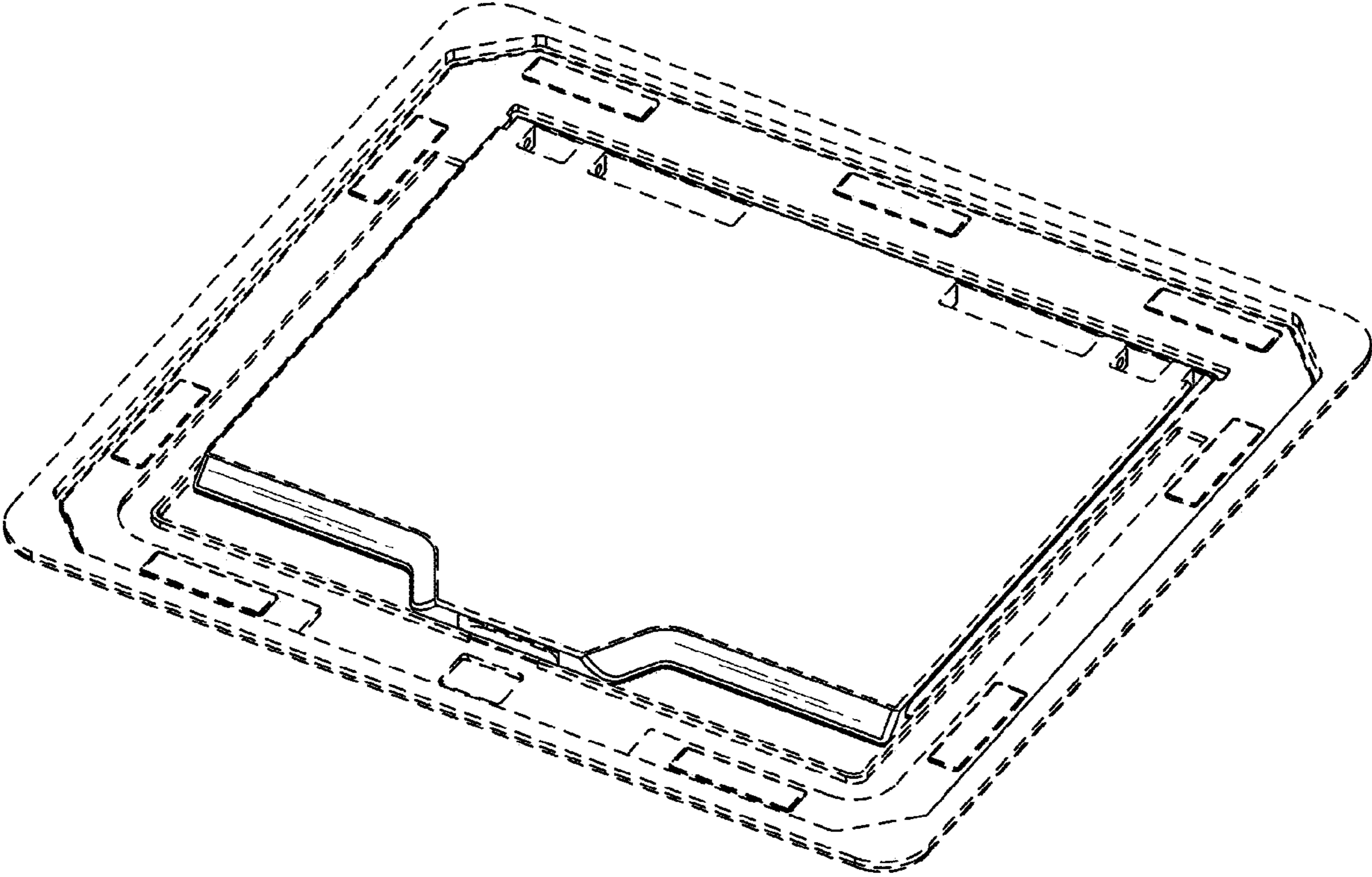


FIG. 4