



US00D965532S

(12) **United States Design Patent**
Gao

(10) **Patent No.:** **US D965,532 S**

(45) **Date of Patent:** **** Oct. 4, 2022**

(54) **CABLE**

(71) Applicant: **SHENZHEN CHAOYUESHENGWEI TECHNOLOGY CO., LTD.**, Shenzhen (CN)

(72) Inventor: **Fei Gao**, Shenzhen (CN)

(73) Assignee: **SHENZHEN CHAOYUESHENGWEI TECHNOLOGY CO., LTD.**, Shenzhen (CN)

(**) Term: **15 Years**

(21) Appl. No.: **29/787,827**

(22) Filed: **Jun. 9, 2021**

(51) **LOC (13) Cl.** **13-03**

(52) **U.S. Cl.**
USPC **D13/153**

(58) **Field of Classification Search**
USPC D13/153, 147, 133, 137.1–137.4, 107, D13/108, 162; D14/433, 218, 205, 496
CPC A61B 18/14; H01R 31/02; G02B 6/3878
See application file for complete search history.

(56) **References Cited**

U.S. PATENT DOCUMENTS

5,117,479	A *	5/1992	Erdman	G02B 6/3878
					D13/133
D409,144	S	5/1999	Brandt et al.		
6,190,385	B1 *	2/2001	Tom	A61B 18/14
					439/502
6,767,255	B1 *	7/2004	Croswell	H01R 31/02
					439/651
D896,762	S *	9/2020	Hu	D13/147
D900,754	S *	11/2020	Fu	D13/153
D900,789	S *	11/2020	Chen	D14/218
D901,505	S *	11/2020	Chen	D13/133
D901,506	S *	11/2020	He	D13/133

D906,257	S *	12/2020	Cai	D13/153
D915,297	S *	4/2021	Nauroy	D13/153
D924,841	S *	7/2021	Yuan	D14/205
D925,458	S *	7/2021	Chen	D13/137.2
D925,464	S *	7/2021	Seo	D13/153
D927,005	S *	8/2021	Hauser-Raspe	D24/200
D928,727	S *	8/2021	Chen	D13/162
D931,819	S *	9/2021	Wan	D13/147
D935,420	S *	11/2021	Cai	D13/153
D937,215	S *	11/2021	Garrett	D13/133
D946,052	S *	3/2022	Olsson	D14/496
D946,506	S *	3/2022	Cheng	D13/107
D946,508	S *	3/2022	Cheng	D13/107
D953,276	S *	5/2022	Chen	D13/153
D956,697	S *	7/2022	Zhang	D13/147
D956,698	S *	7/2022	Zhang	D13/147
D958,065	S *	7/2022	Kaneda	D13/107
D958,071	S *	7/2022	Yang	D13/108
D958,072	S *	7/2022	Yang	D13/108
D960,164	S *	8/2022	Yang	D14/433

(Continued)

Primary Examiner — Rhea Shields

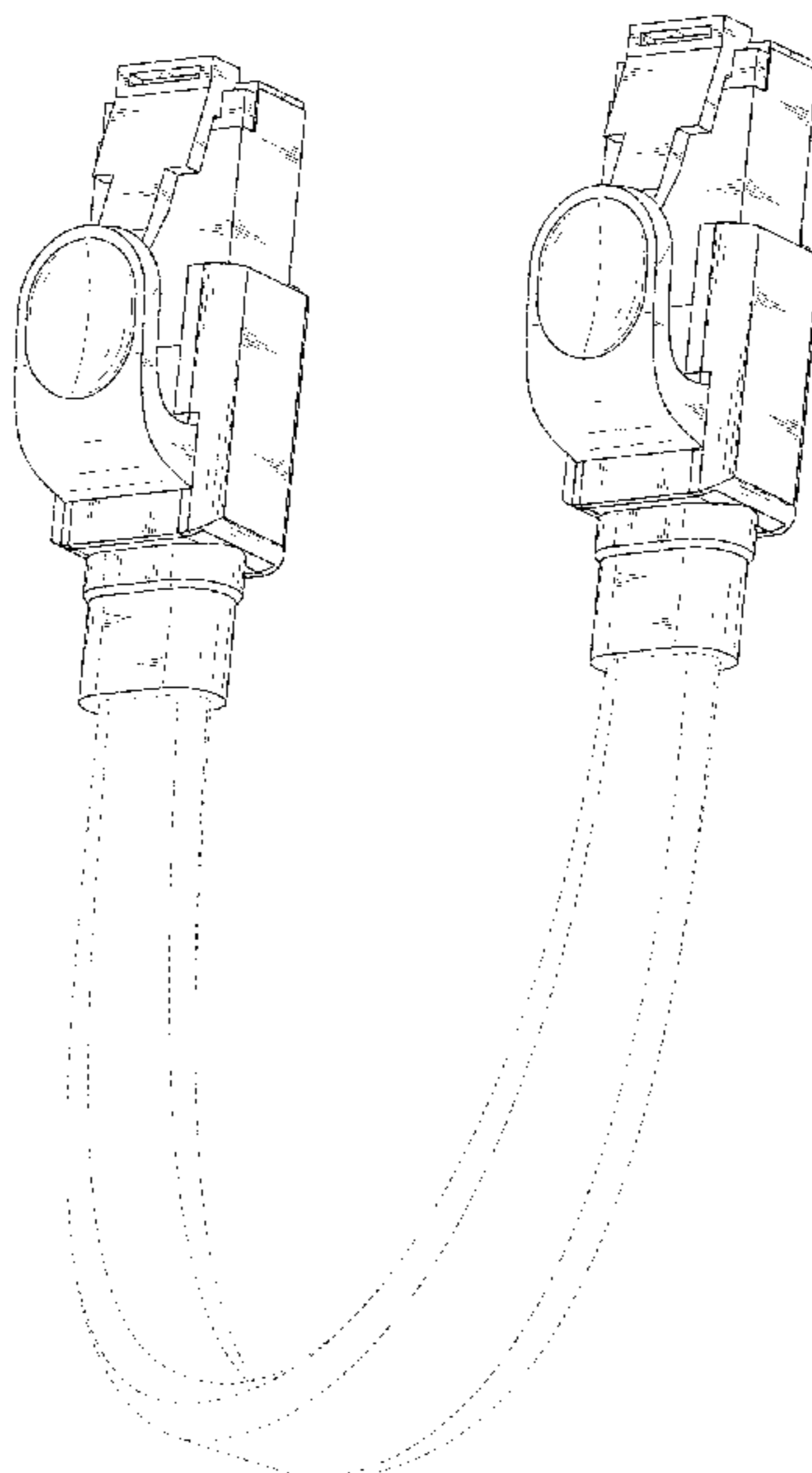
(57) **CLAIM**

The ornamental design for a cable, as shown and described.

DESCRIPTION

FIG. 1 is a perspective view of a cable showing my new design;
 FIG. 2 is another perspective view thereof;
 FIG. 3 is a front elevational view thereof;
 FIG. 4 is a rear elevational view thereof;
 FIG. 5 is a left side elevational view thereof;
 FIG. 6 is a right side elevational view thereof;
 FIG. 7 is a top plan view thereof;
 FIG. 8 is a bottom plan view thereof; and,
 FIG. 9 is an enlarged view of portion 9 shown in FIG. 2.
 The broken lines in the drawings depict portions of the cable that form no part of the claimed design.

1 Claim, 9 Drawing Sheets



(56)

References Cited

U.S. PATENT DOCUMENTS

D960,165 S * 8/2022 Yang D14/433
2016/0269807 A1 9/2016 Cohard

* cited by examiner

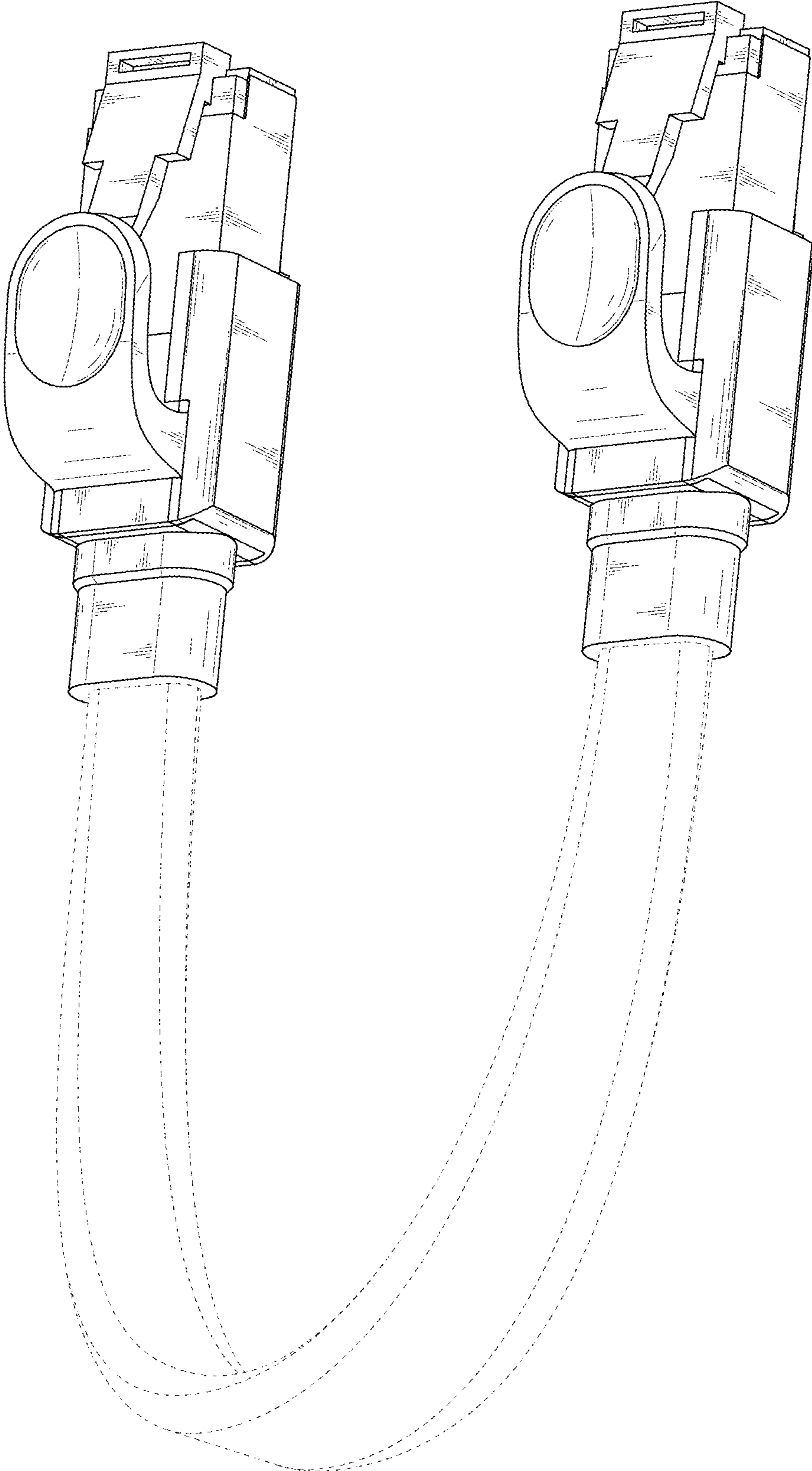


FIG. 1

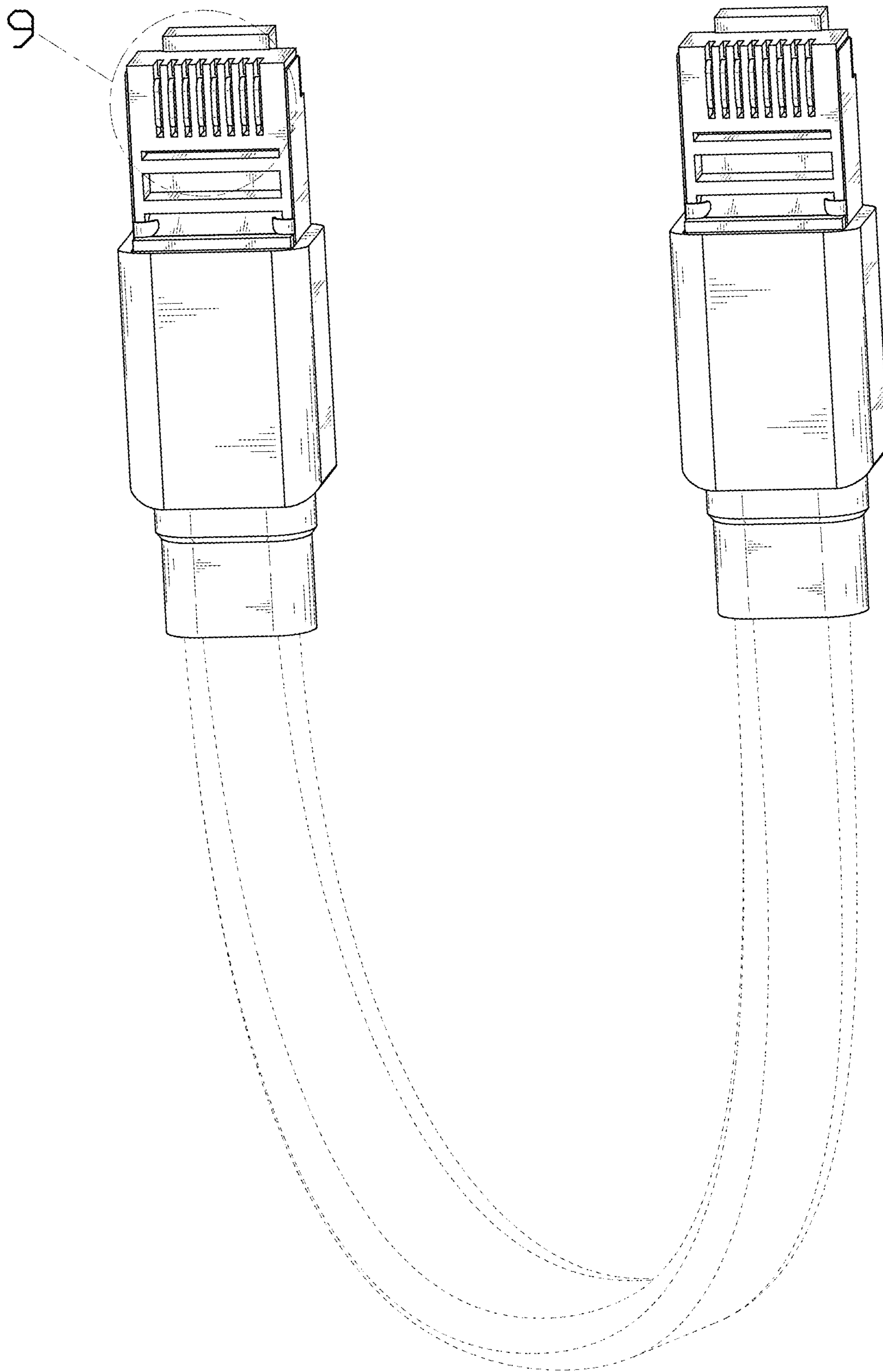


FIG. 2

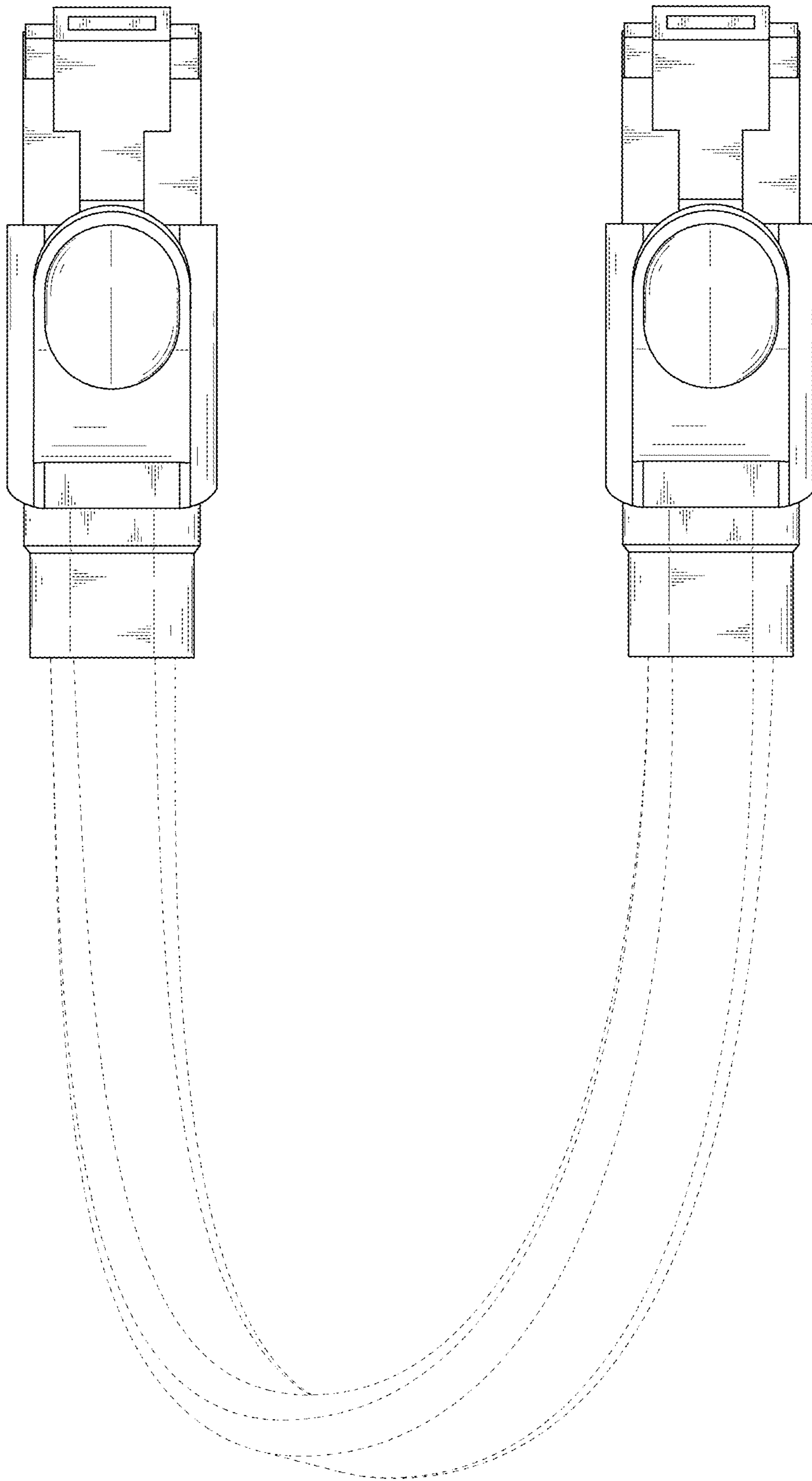


FIG. 3

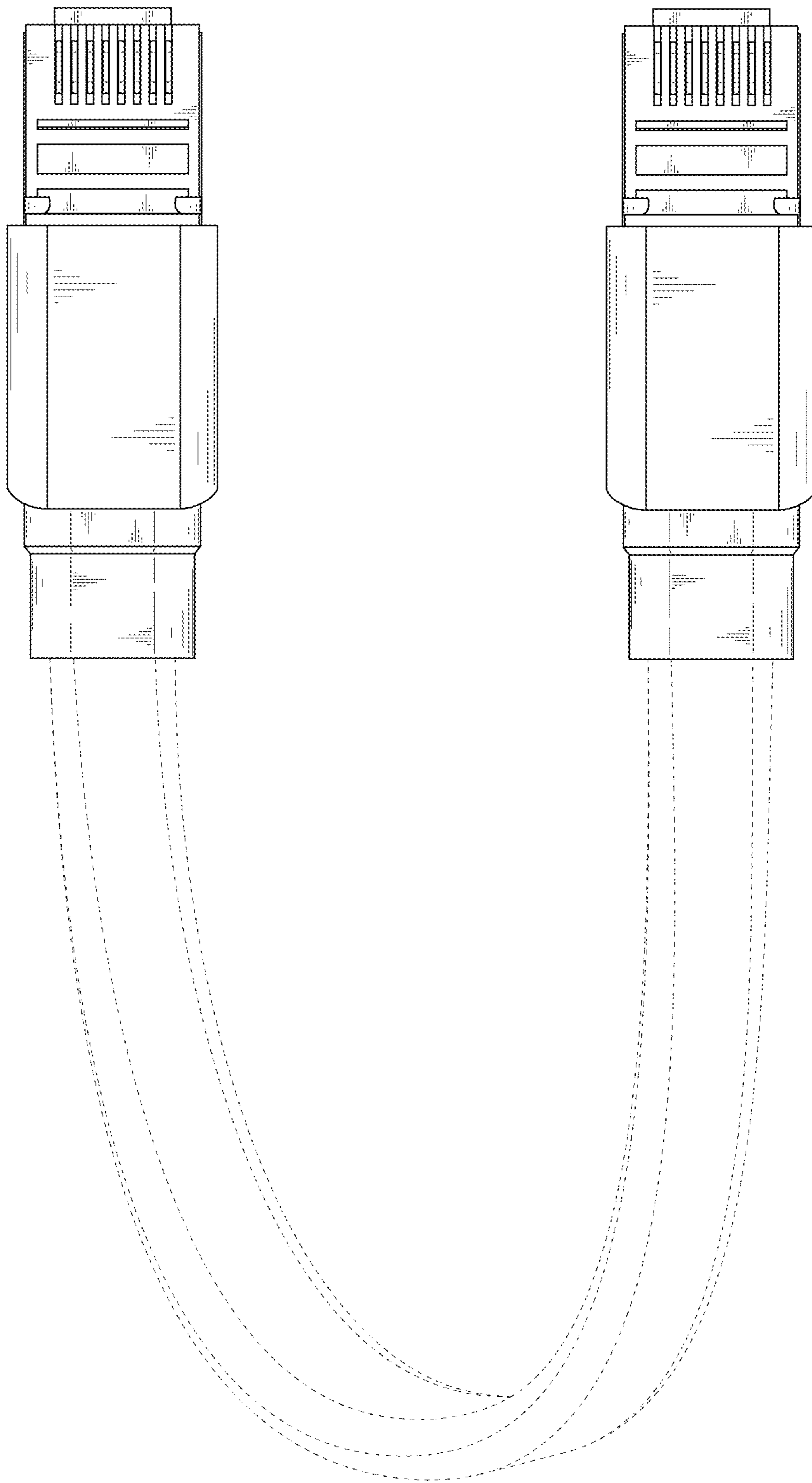


FIG. 4

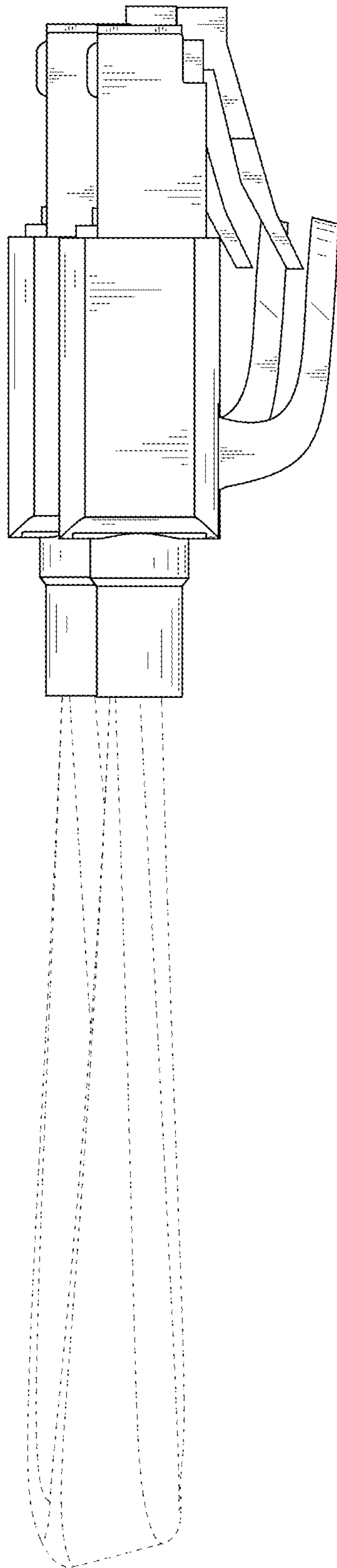


FIG. 5

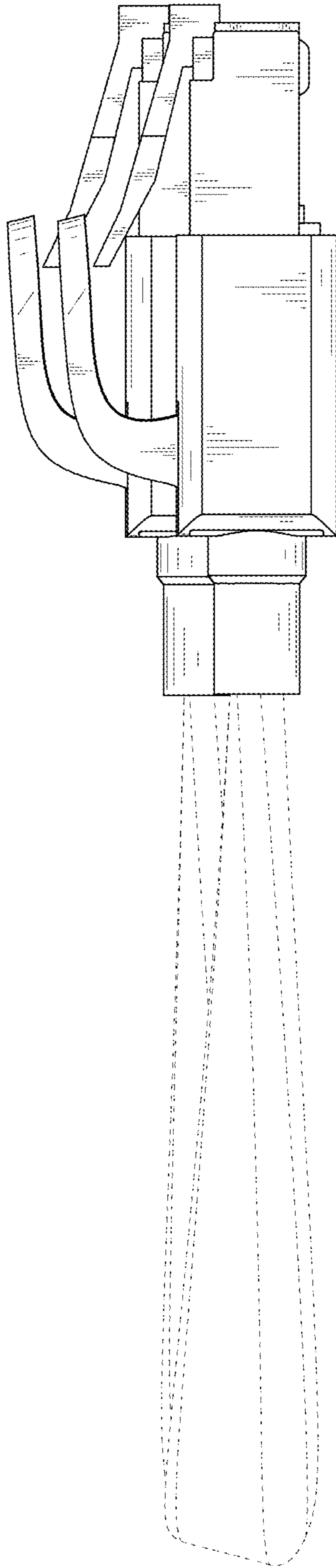


FIG. 6

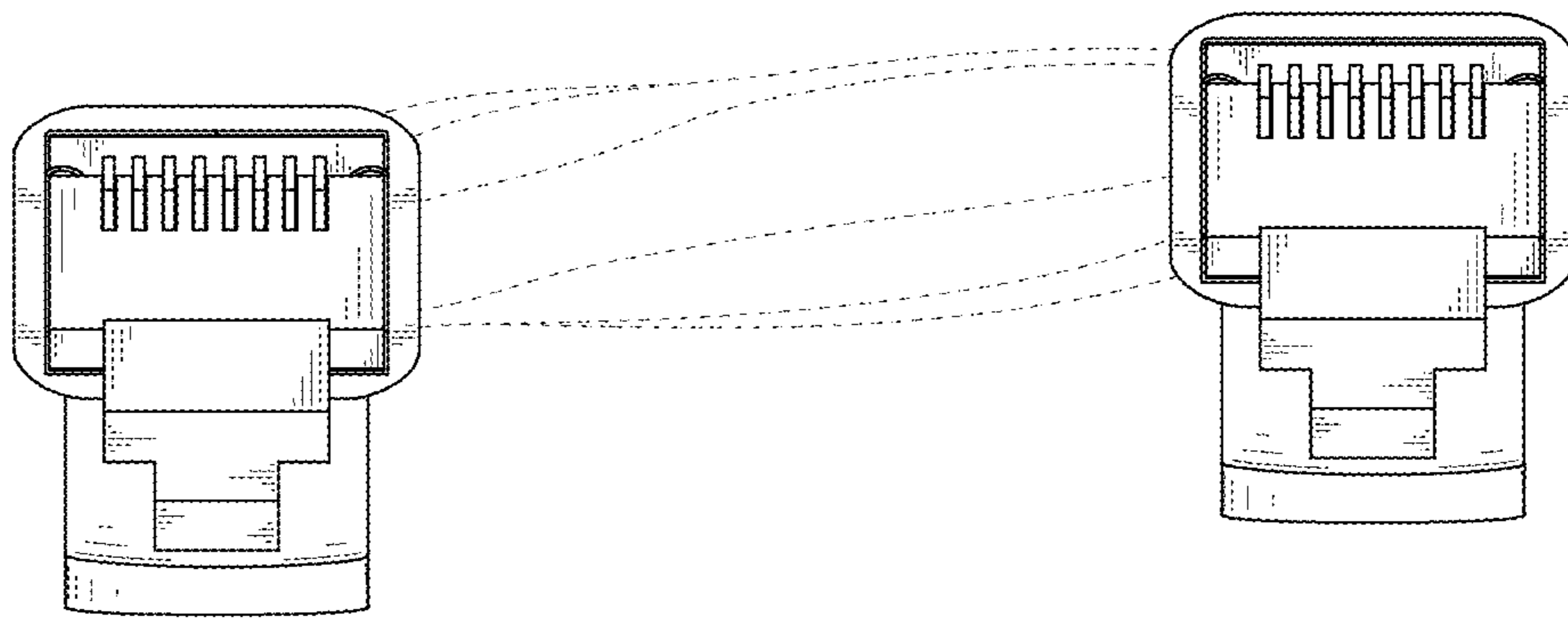


FIG. 7

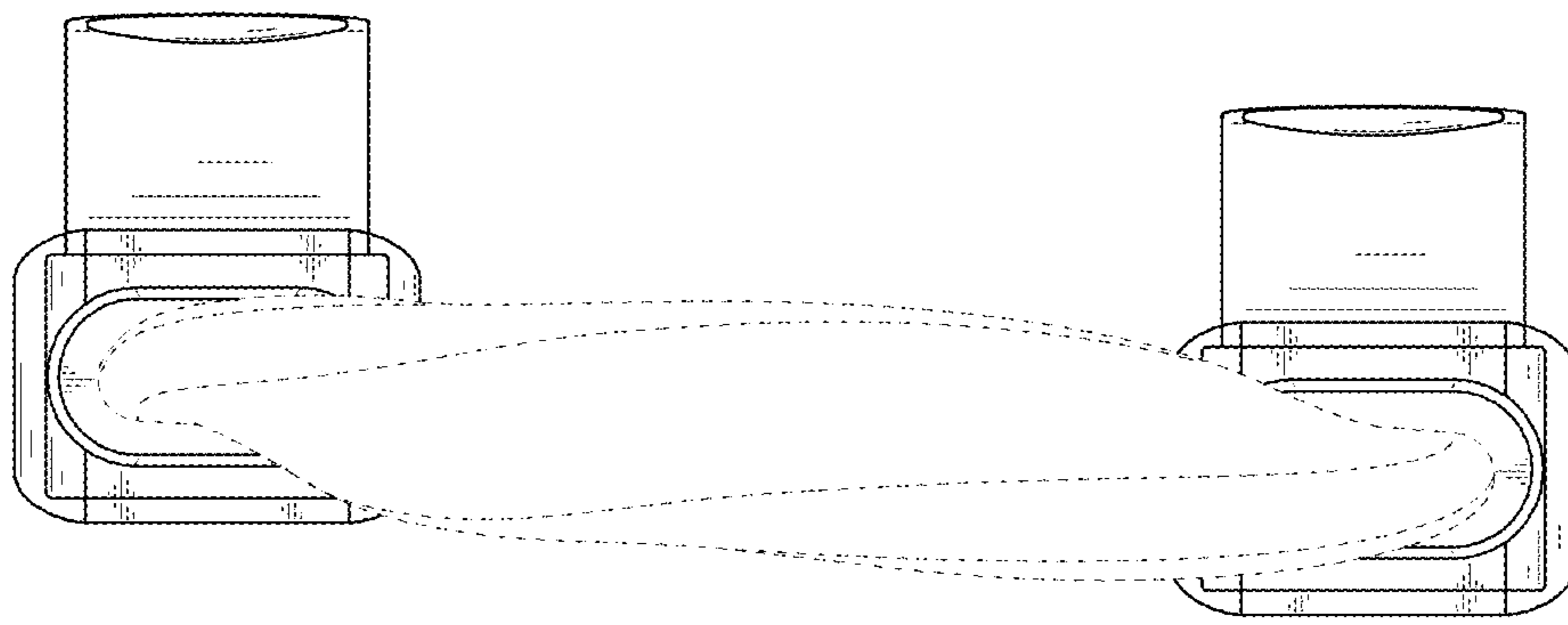


FIG. 8

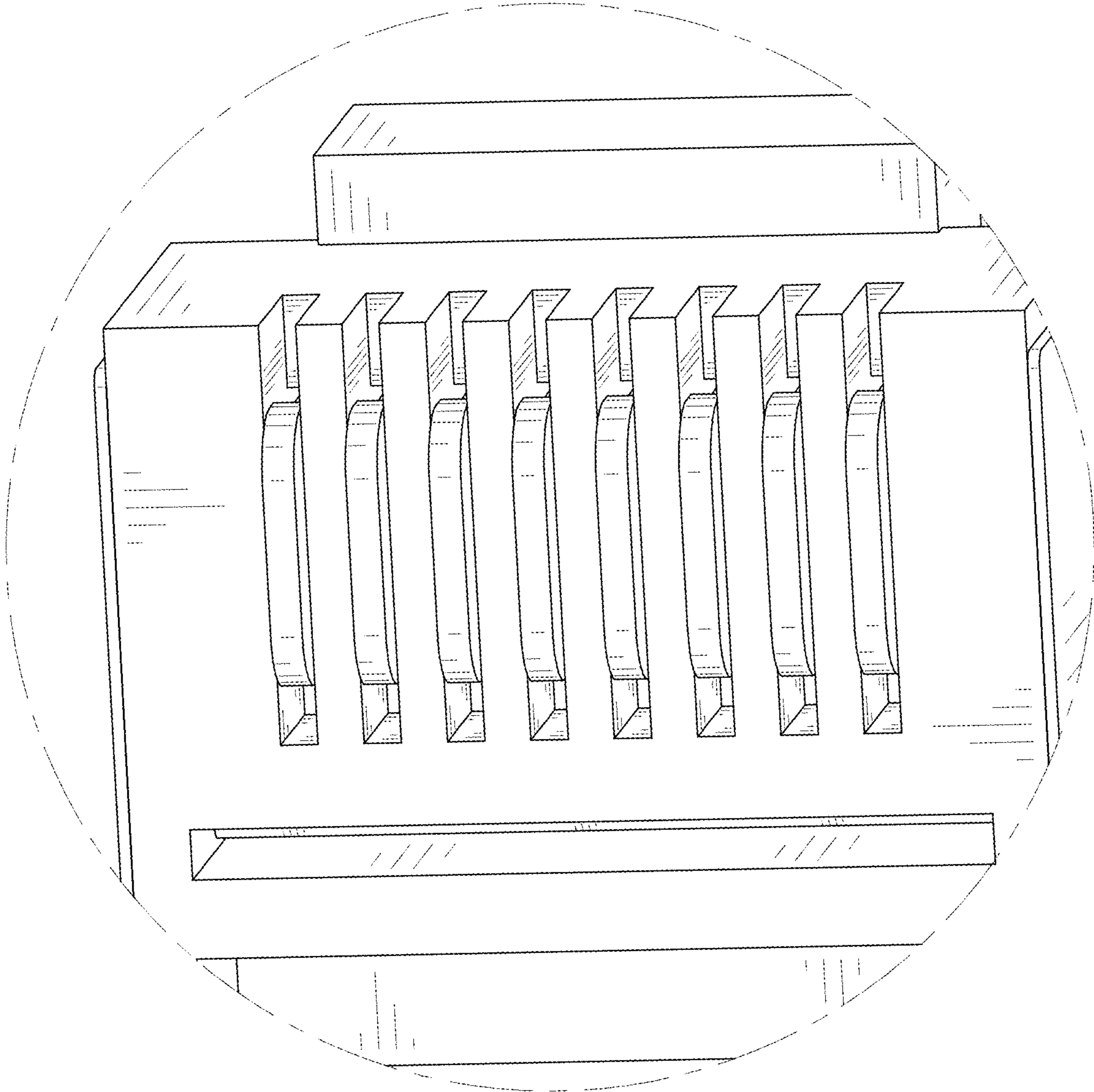


FIG. 9