



US00D965528S

(12) **United States Design Patent** (10) **Patent No.:** **US D965,528 S**
He et al. (45) **Date of Patent:** **** Oct. 4, 2022**

(54) **COUPLER**
(71) Applicant: **Shanghai Microport Medbot (Group) Co., Ltd.**, Shanghai (CN)
(72) Inventors: **Yuyuan He**, Shanghai (CN); **Chao He**, Shanghai (CN)
(73) Assignee: **Shanghai Microport Medbot (Group) Co., Ltd.**, Shanghai (CN)
(**) Term: **15 Years**

D558,037 S * 12/2007 Chelchowski D8/382
D605,599 S * 12/2009 Wong D13/133
D610,681 S 2/2010 Frey
D624,181 S 9/2010 Harata
D687,701 S * 8/2013 Rast D8/382
D691,950 S * 10/2013 Asai D13/133
D691,951 S * 10/2013 Evers D13/133
D756,760 S 5/2016 Fay, II
D794,190 S 8/2017 Russell
D863,936 S 10/2019 Pratt
D893,713 S 8/2020 Stengele
D896,625 S * 9/2020 Lah D8/382
D920,772 S 6/2021 McClung
D932,291 S 10/2021 Grondal

(Continued)

(21) Appl. No.: **29/820,423**
(22) Filed: **Dec. 22, 2021**

Related U.S. Application Data

(62) Division of application No. 29/735,417, filed on May 21, 2020.
(51) **LOC (13) Cl.** **13-03**
(52) **U.S. Cl.**
USPC **D13/133; D24/231**
(58) **Field of Classification Search**
USPC D8/382, 354; D24/133, 231, 140; D13/133, 154, 118, 120
CPC F16D 1/06; F16D 1/02; A61B 2017/2905; A61B 2017/00477; A61B 2017/00314
See application file for complete search history.

References Cited

U.S. PATENT DOCUMENTS

587,855 A 8/1897 Park
2,374,244 A 4/1945 Standish
D286,597 S 11/1986 Hughes
D369,958 S 5/1996 Huang
D400,170 S * 10/1998 Asai D13/133
5,899,425 A * 5/1999 Corey, Jr. F16M 11/24 403/56
D462,768 S 9/2002 Meyer

FOREIGN PATENT DOCUMENTS

CN 305854057 S 6/2020
CN 305854132 S 6/2020

(Continued)

Primary Examiner — Sheryl Lane
Assistant Examiner — Ieisha N Price
(74) *Attorney, Agent, or Firm* — Winston Hsu

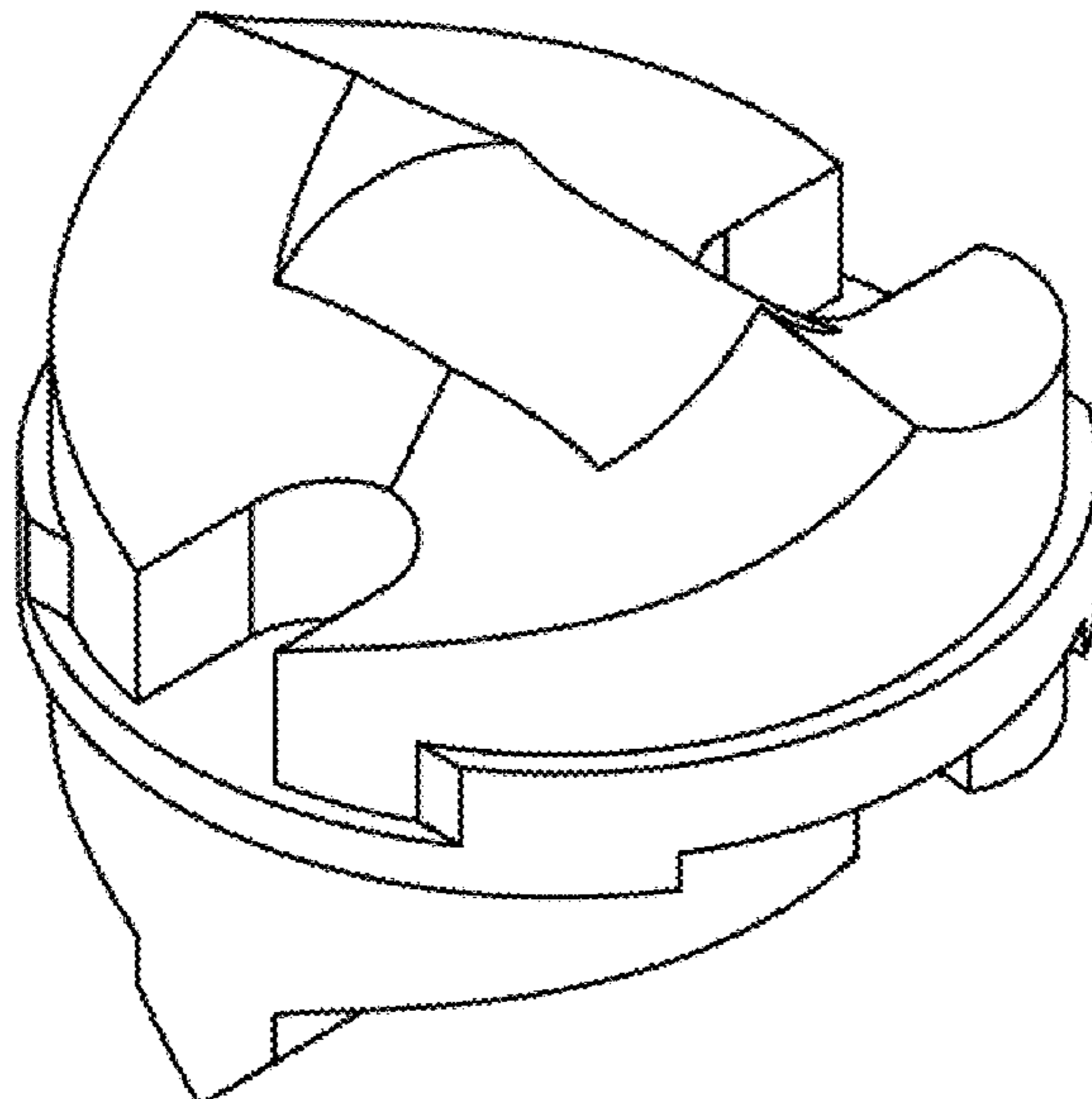
(57) **CLAIM**

The ornamental design for a coupler, as shown and described.

DESCRIPTION

FIG. 1 is a top, front, and right side perspective view of a coupler showing our new design;
FIG. 2 is a bottom, front, and left side perspective view thereof;
FIG. 3 is a front elevation view thereof;
FIG. 4 is a rear elevation view thereof;
FIG. 5 is a left side elevation view thereof;
FIG. 6 is a right side elevation view thereof;
FIG. 7 is a top plan view thereof; and,
FIG. 8 is a bottom plan view thereof.

1 Claim, 8 Drawing Sheets



(56)

References Cited

U.S. PATENT DOCUMENTS

D936,587 S * 11/2021 C D13/133
 D938,266 S * 12/2021 Jones D8/382
 D958,747 S * 7/2022 He D13/133
 2003/0108384 A1 6/2003 Huang
 2003/0170074 A1 9/2003 Mills
 2006/0111209 A1 5/2006 Hinman
 2006/0229654 A1* 10/2006 Voegele A61B 17/34
 606/190
 2007/0213691 A1* 9/2007 Summerer H01R 13/627
 606/1
 2009/0256318 A1 10/2009 Stolz
 2010/0183364 A1 7/2010 Harif
 2012/0215234 A1* 8/2012 Chowaniec A61B 17/0469
 606/144
 2014/0142384 A1* 5/2014 Chung A61B 1/128
 600/117
 2015/0047451 A1* 2/2015 Kwon A61B 17/29
 74/490.05
 2015/0110522 A1 4/2015 Ikeda
 2017/0016484 A1 1/2017 Sugiyama
 2017/0056118 A1* 3/2017 Cooper B25J 15/0475

2017/0175818 A1 6/2017 Kulkarni
 2018/0023629 A1 1/2018 Sugiyama
 2018/0250005 A1* 9/2018 Beardsley F16C 11/0695
 2018/0348695 A1 12/2018 Ueno
 2019/0142532 A1* 5/2019 Lee A61B 17/00234
 606/130
 2019/0331168 A1 10/2019 Kim
 2019/0363608 A1 11/2019 Haun
 2020/0011381 A1 1/2020 Cymbal
 2020/0023443 A1* 1/2020 Abd El Haq B23B 31/113
 2020/0138463 A1* 5/2020 Kostrzewski A61B 17/07292
 2020/0217371 A1 7/2020 Zhu
 2021/0044196 A1 2/2021 Meyer
 2021/0085303 A1* 3/2021 Kim A61B 17/00234
 2021/0164522 A1 6/2021 Wang
 2021/0222737 A1 7/2021 Sugiyama
 2022/0031351 A1* 2/2022 Moubarak A61B 17/0686

FOREIGN PATENT DOCUMENTS

CN 306853097 * 9/2021
 GB 6179730 * 12/2021
 JP D1552063 S 6/2016

* cited by examiner

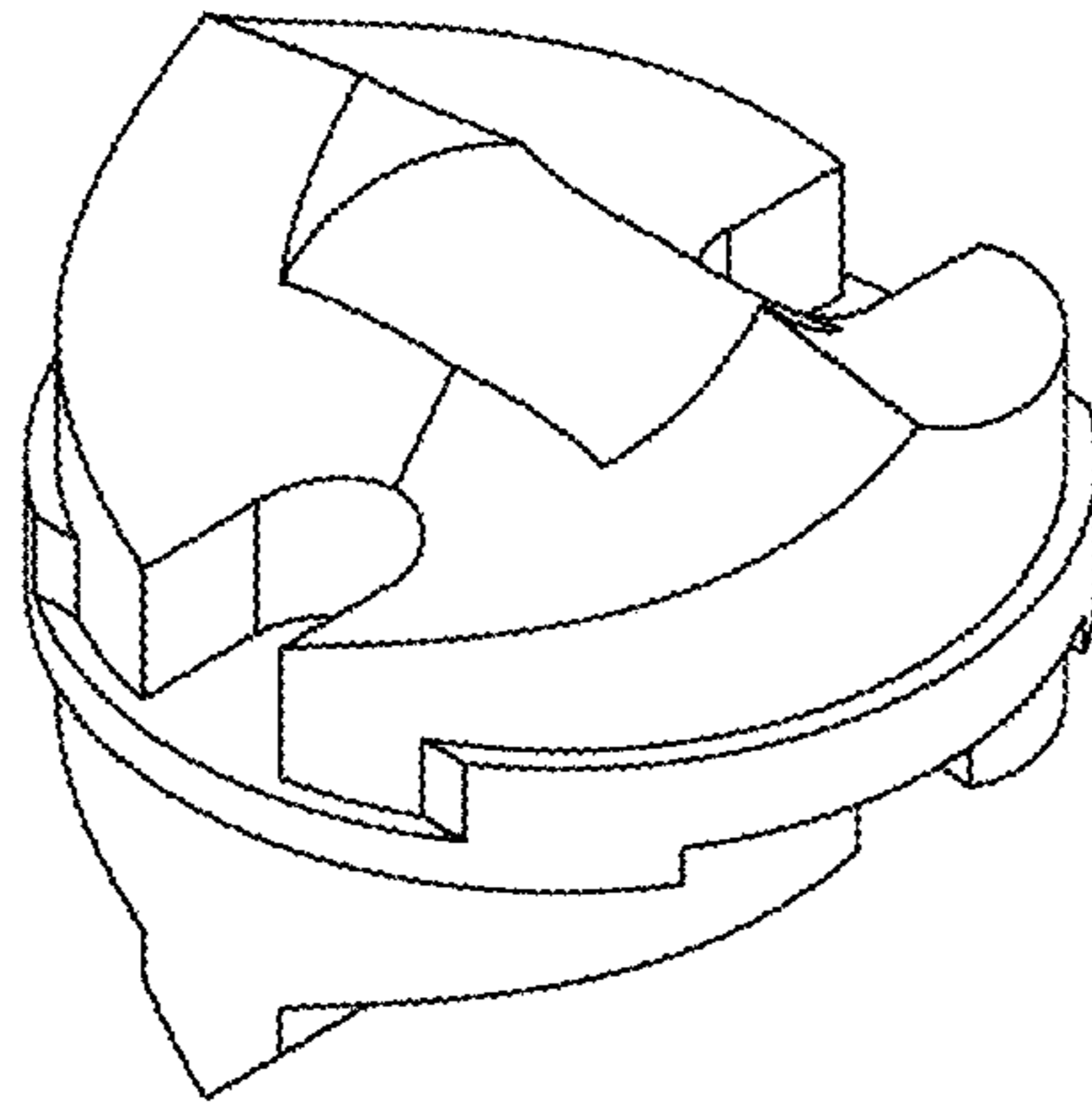


FIG. 1

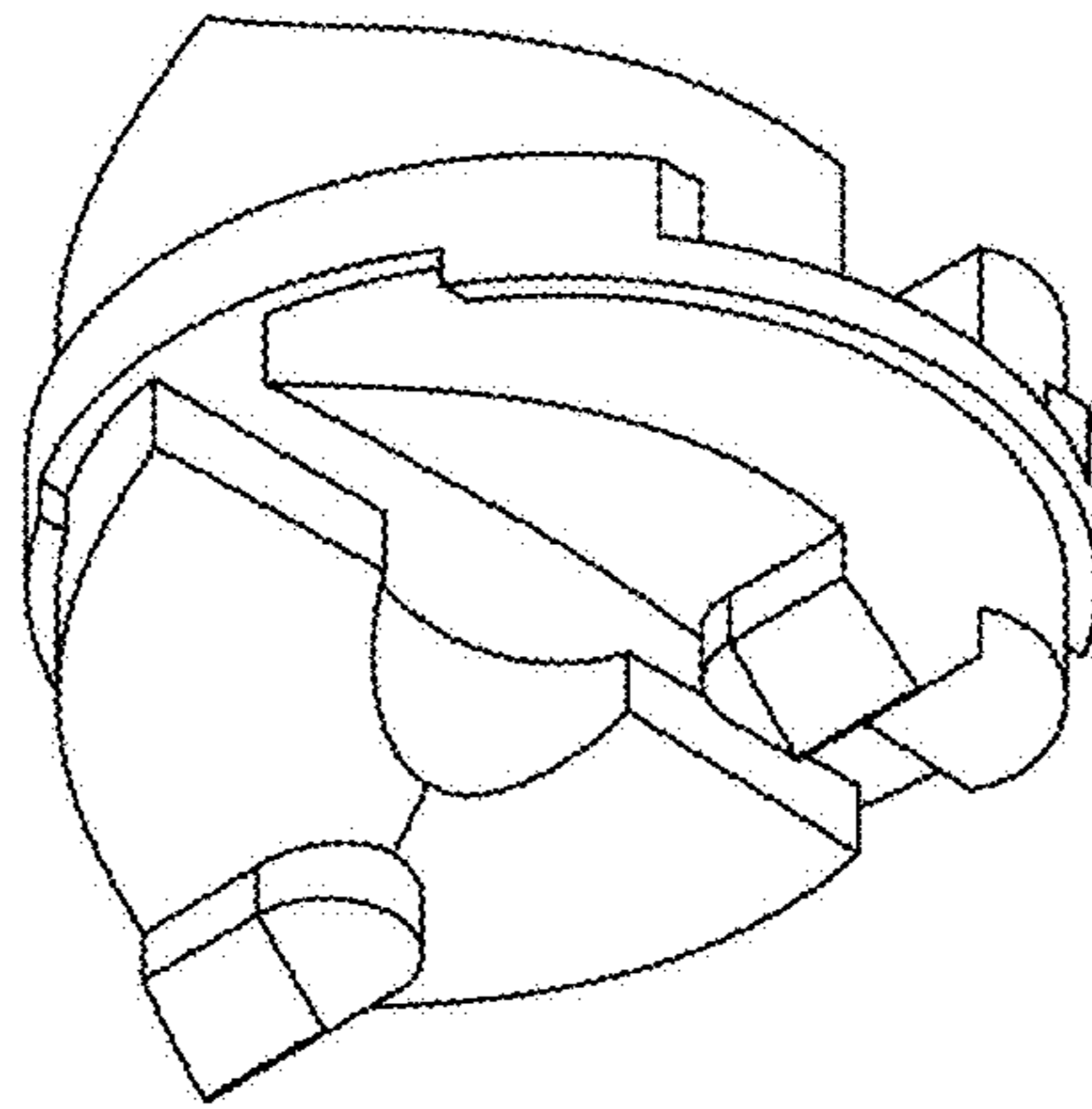


FIG. 2

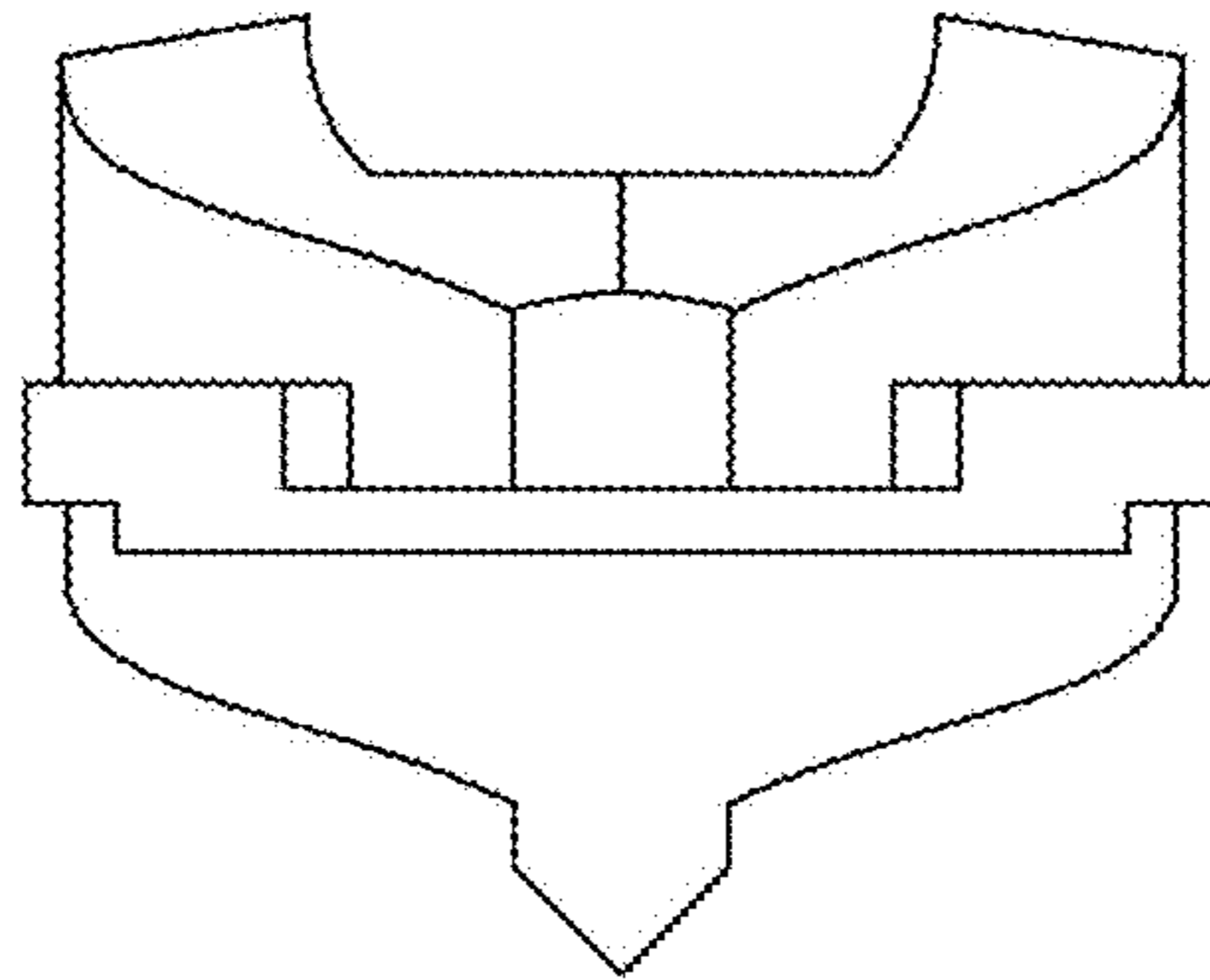


FIG. 3

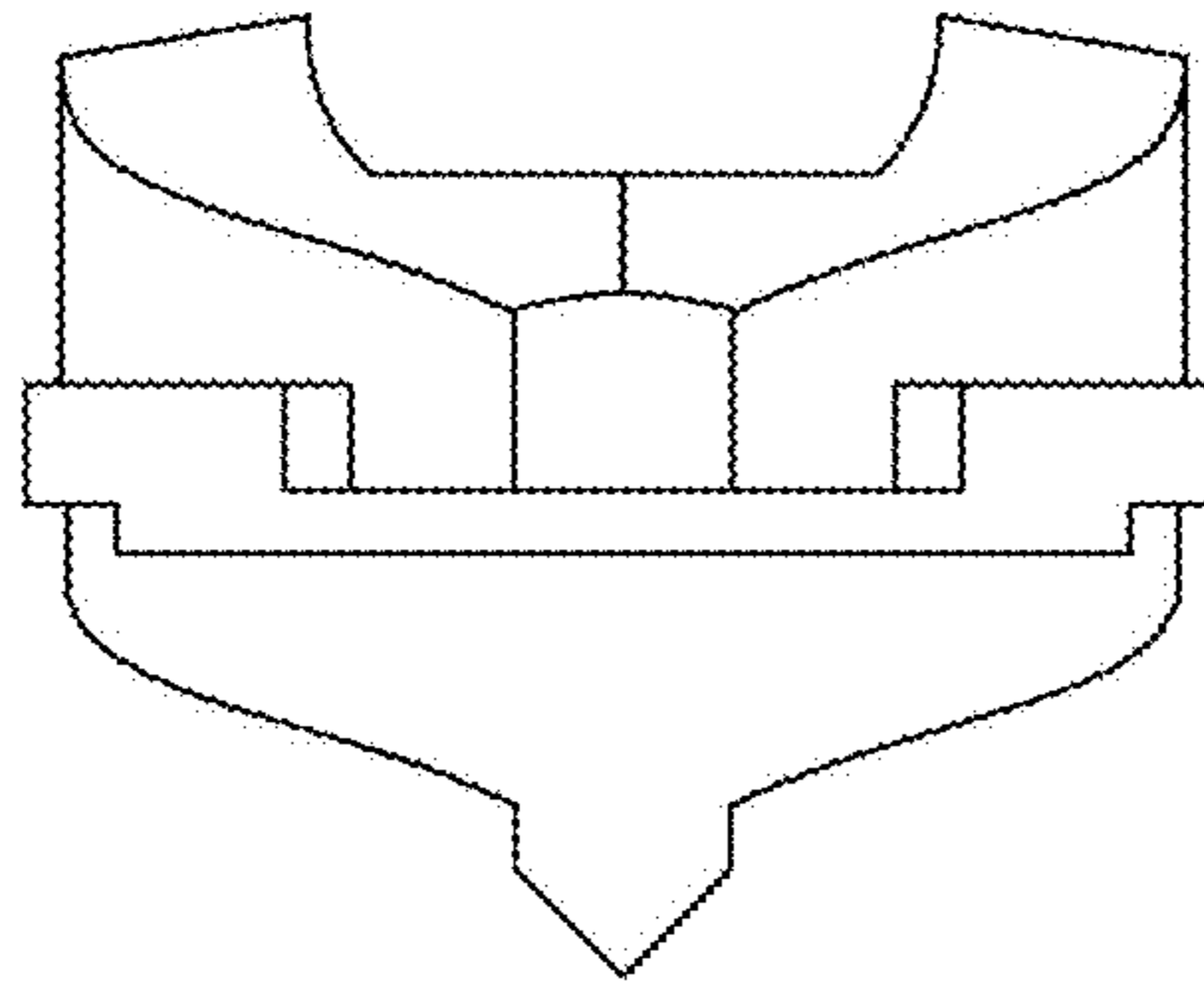


FIG. 4

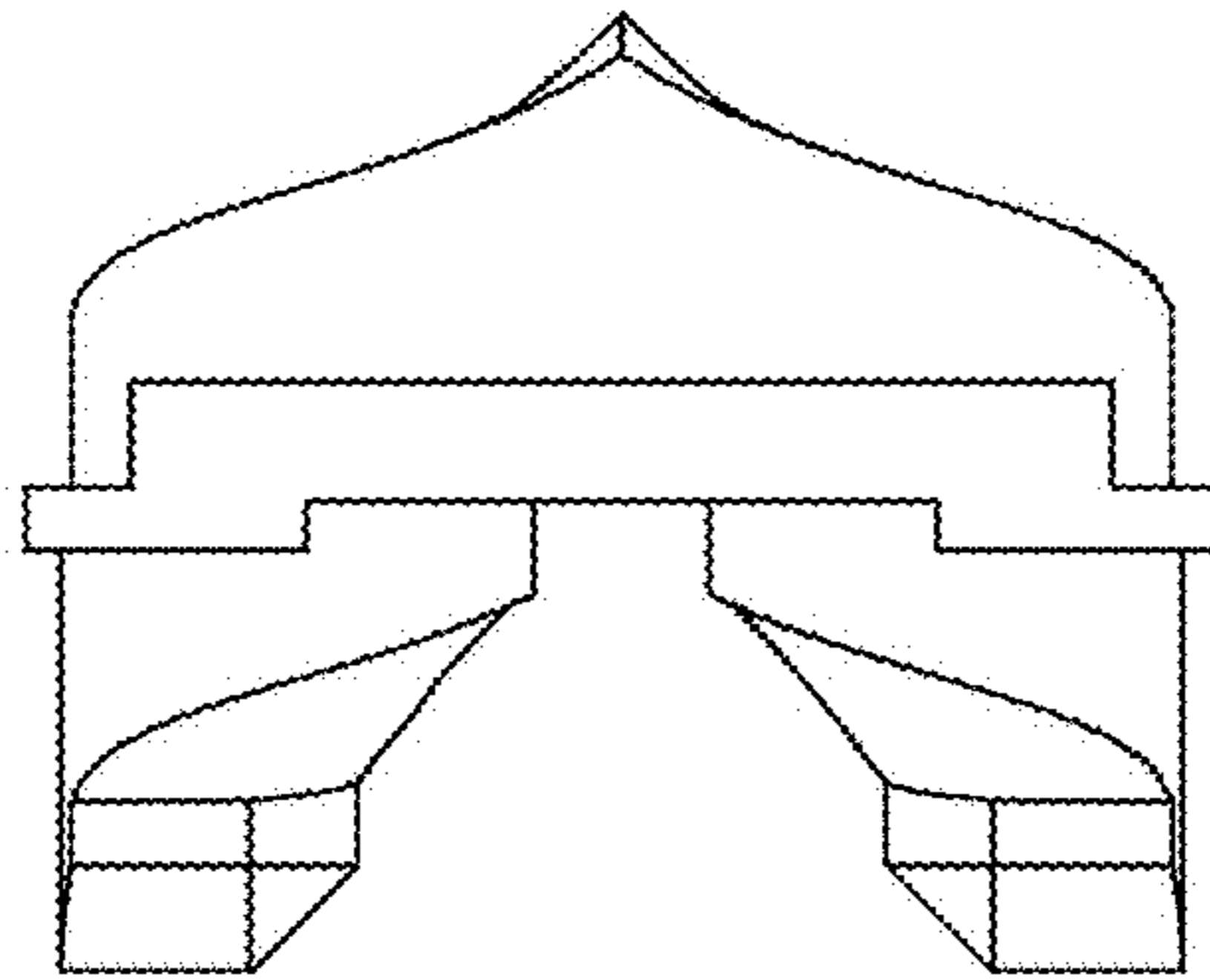


FIG. 5

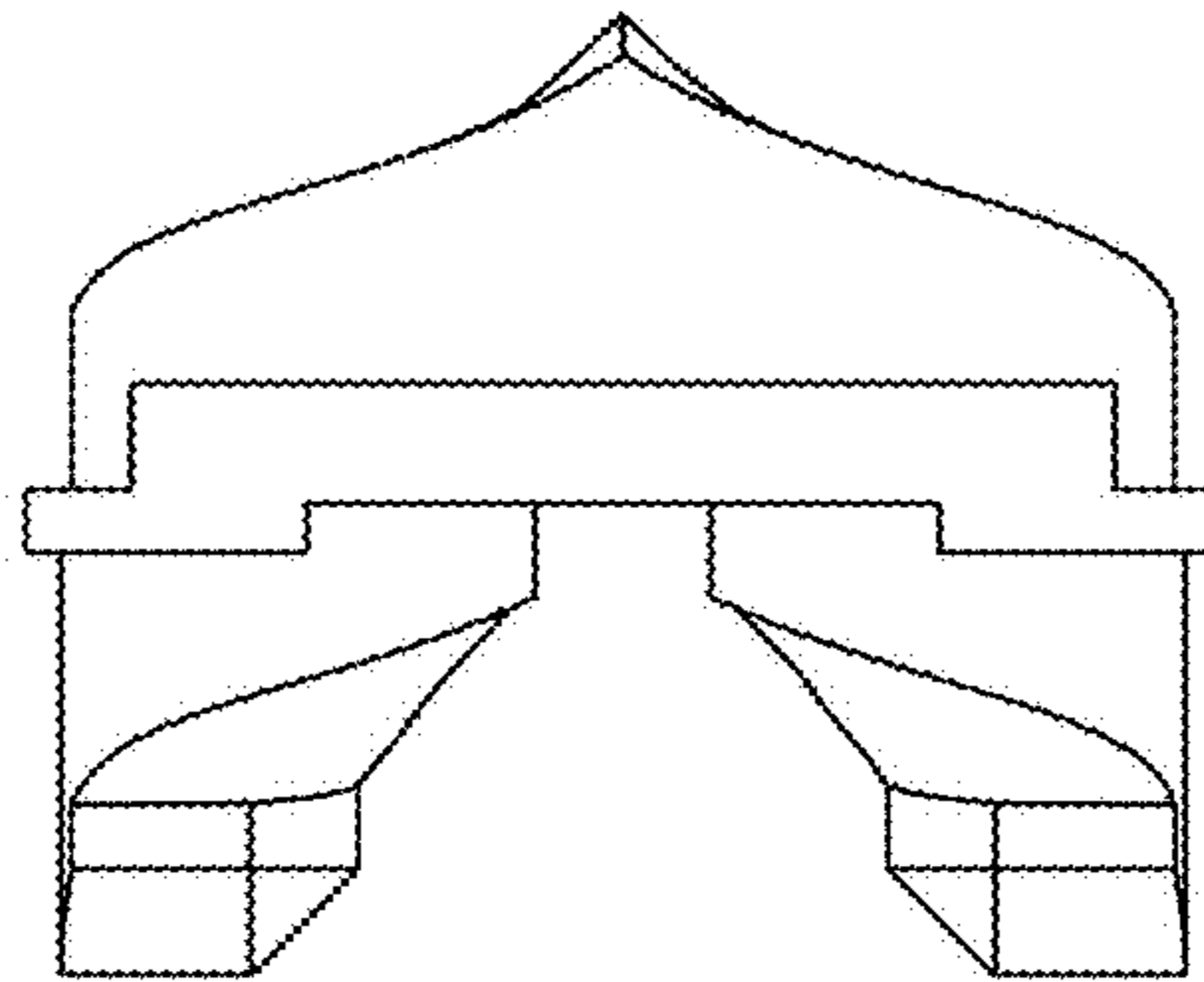


FIG. 6

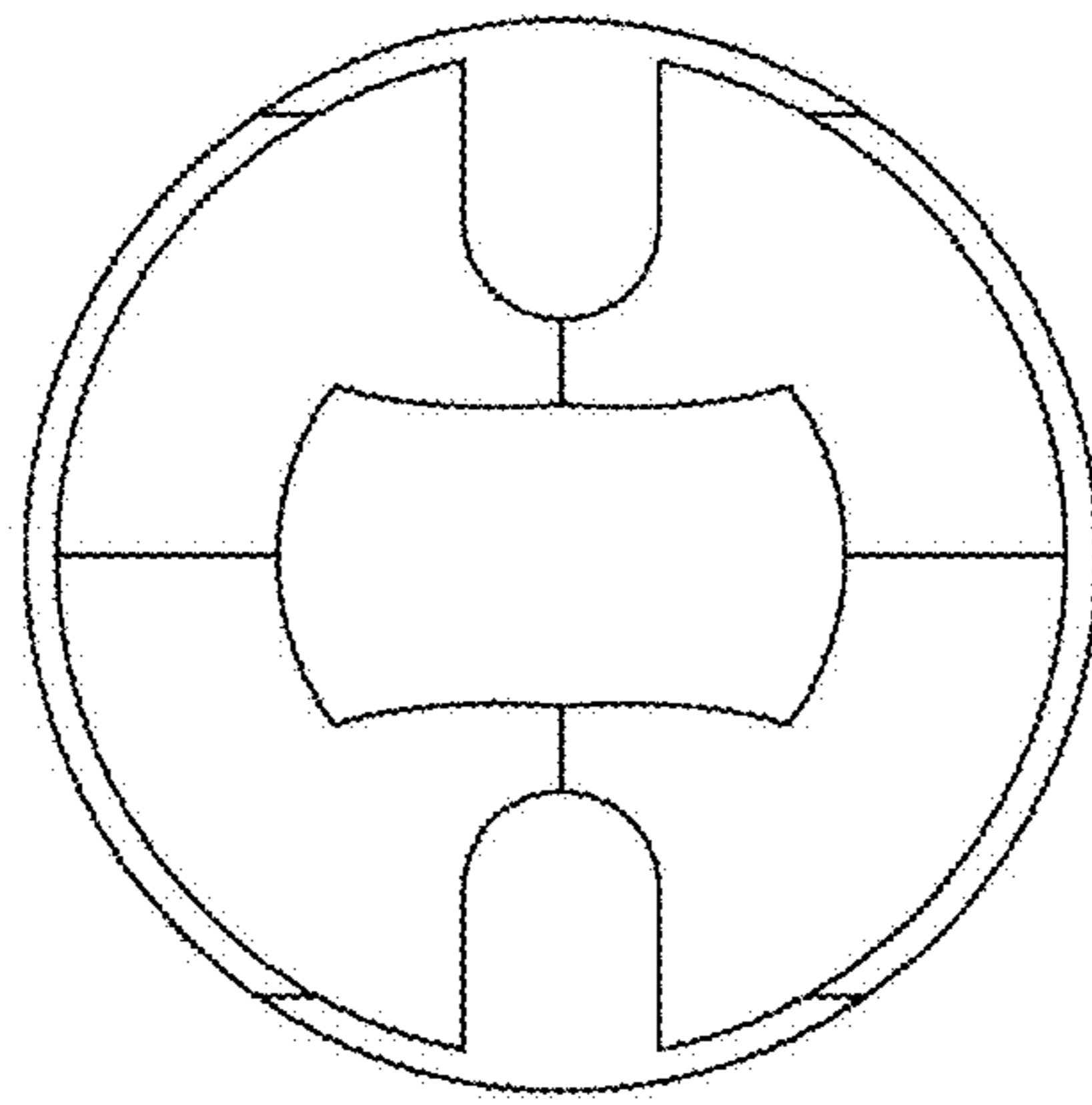


FIG. 7

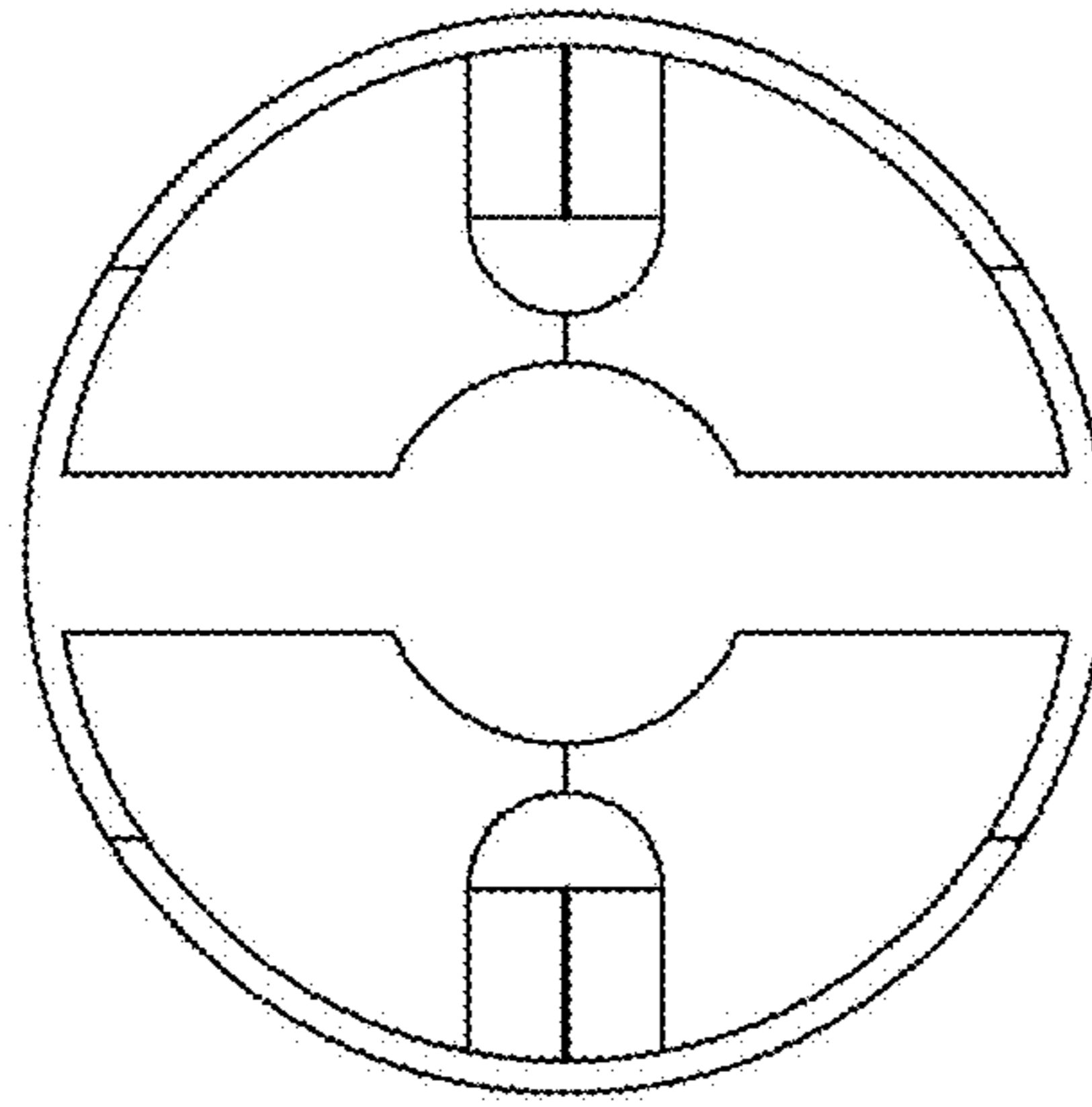


FIG. 8