



US00D965526S

(12) **United States Design Patent** (10) **Patent No.:** **US D965,526 S**  
**Jungen** (45) **Date of Patent:** **\*\* Oct. 4, 2022**

(54) **COMBINED DAMPER AND VALVE ACTUATOR**

(71) Applicant: **BELIMO Holding AG**, Hinwil (CH)

(72) Inventor: **Walter Jungen**, Adliswil (CH)

(73) Assignee: **BELIMO HOLDING AG**, Hinwil (CH)

(\*\*) Term: **15 Years**

(21) Appl. No.: **35/510,174**

(22) Filed: **Feb. 28, 2020**

(80) **Hague Agreement Data**

Int. Filing Date: **Feb. 28, 2020**

Int. Reg. No.: **DM/207523**

Int. Reg. Date: **Feb. 28, 2020**

Int. Reg. Pub. Date: **Aug. 28, 2020**

(30) **Foreign Application Priority Data**

Nov. 27, 2019 (CH) ..... 145038

(51) **LOC (13) Cl.** ..... **13-03**

(52) **U.S. Cl.**  
USPC ..... **D13/123**

(58) **Field of Classification Search**  
USPC ..... D13/123, 174, 180, 112, 133, 101;  
D23/233

CPC ..... H02N 2/101

See application file for complete search history.

(56) **References Cited**

U.S. PATENT DOCUMENTS

5,410,206 A *	4/1995	Luecke .....	H02N 2/101 310/317
D496,330 S *	9/2004	Moler .....	D13/101
D857,628 S *	8/2019	Chen .....	D13/112
D871,340 S *	12/2019	Barrefelt .....	D13/133
D897,497 S *	9/2020	Williams .....	D23/233
D902,154 S *	11/2020	Hirabayashi .....	D13/112
D914,619 S *	3/2021	Loussert .....	D13/180
D926,146 S *	7/2021	Loussert .....	D13/174

\* cited by examiner

*Primary Examiner* — Rhea Shields

(74) *Attorney, Agent, or Firm* — Pauley Erickson & Swanson

(57) **CLAIM**

The ornamental design for a combined damper and valve actuator, as shown and described.

**DESCRIPTION**

1. Combined damper and valve actuator

1.1 : Right

1.2 : Left

1.3 : Back

1.4 : Front

1.5 : Top

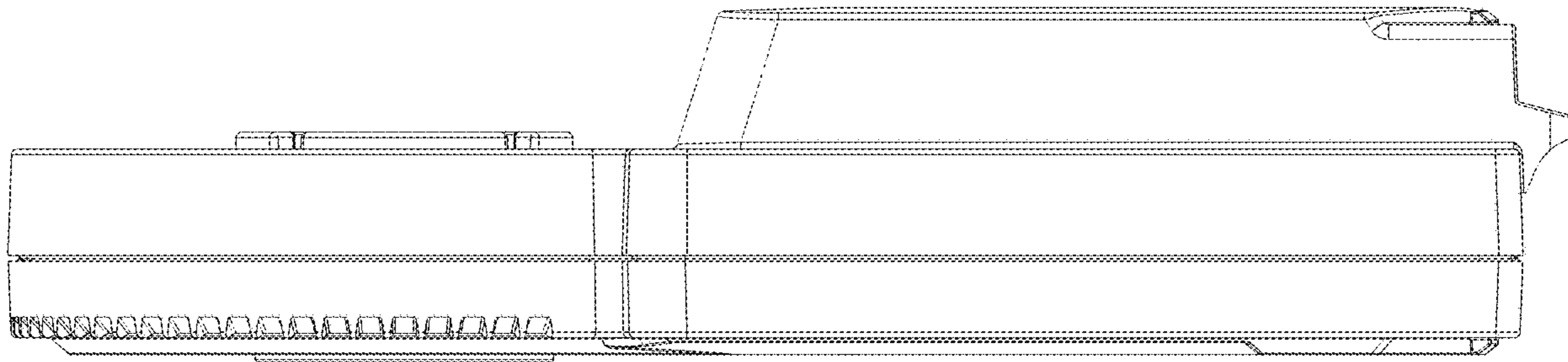
1.6 : Bottom

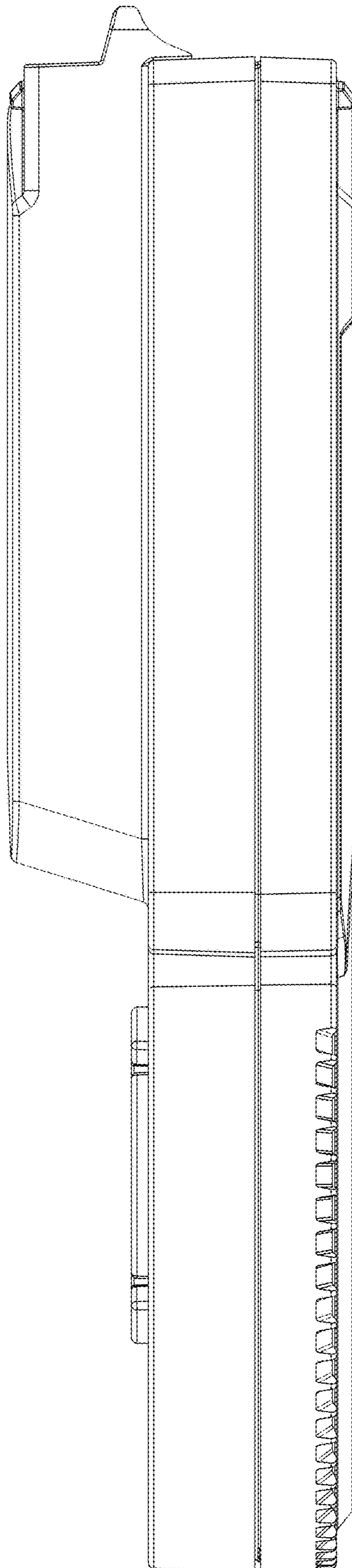
1.7 : Perspective

1.8 : Perspective

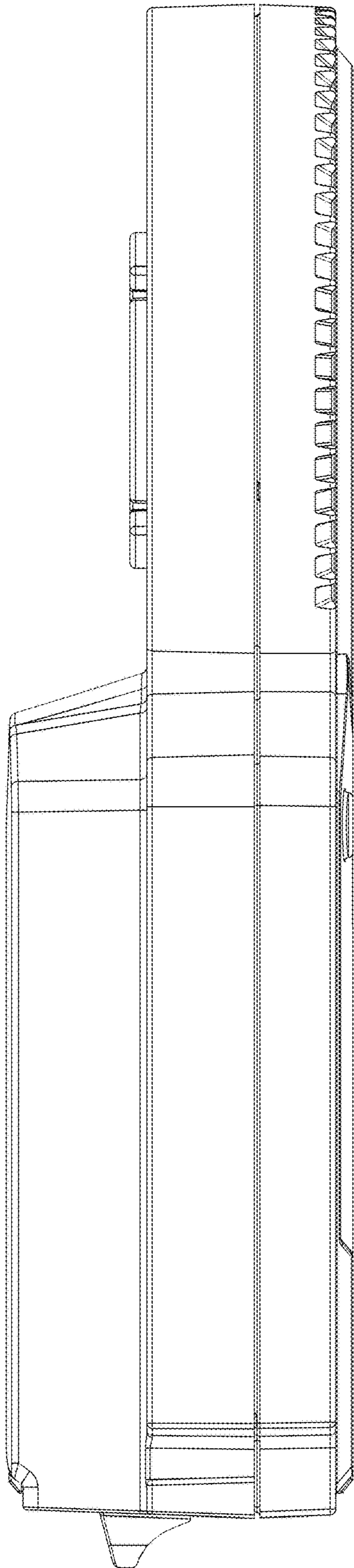
The broken lines shown in 1.3 depict portions of the article and form no part of the claim.

**1 Claim, 8 Drawing Sheets**

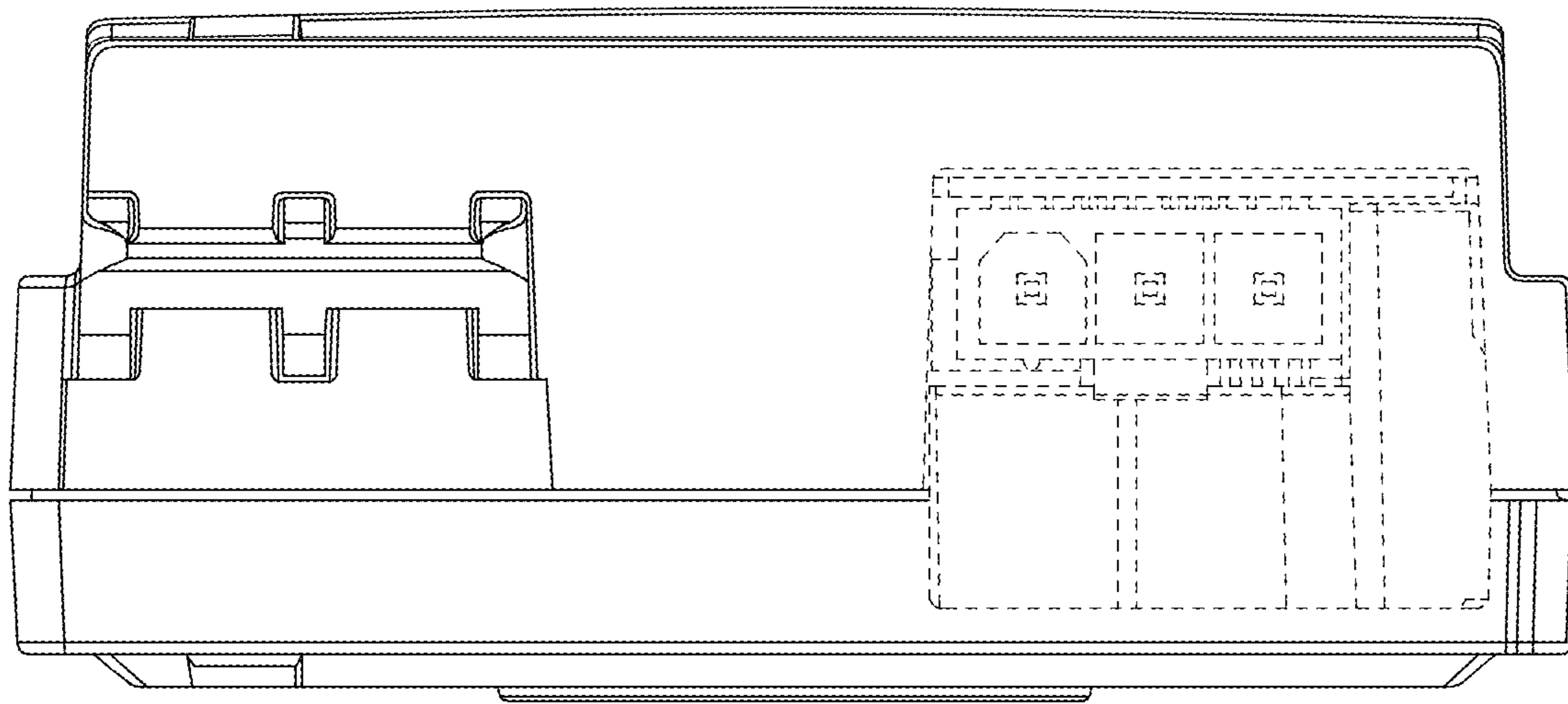




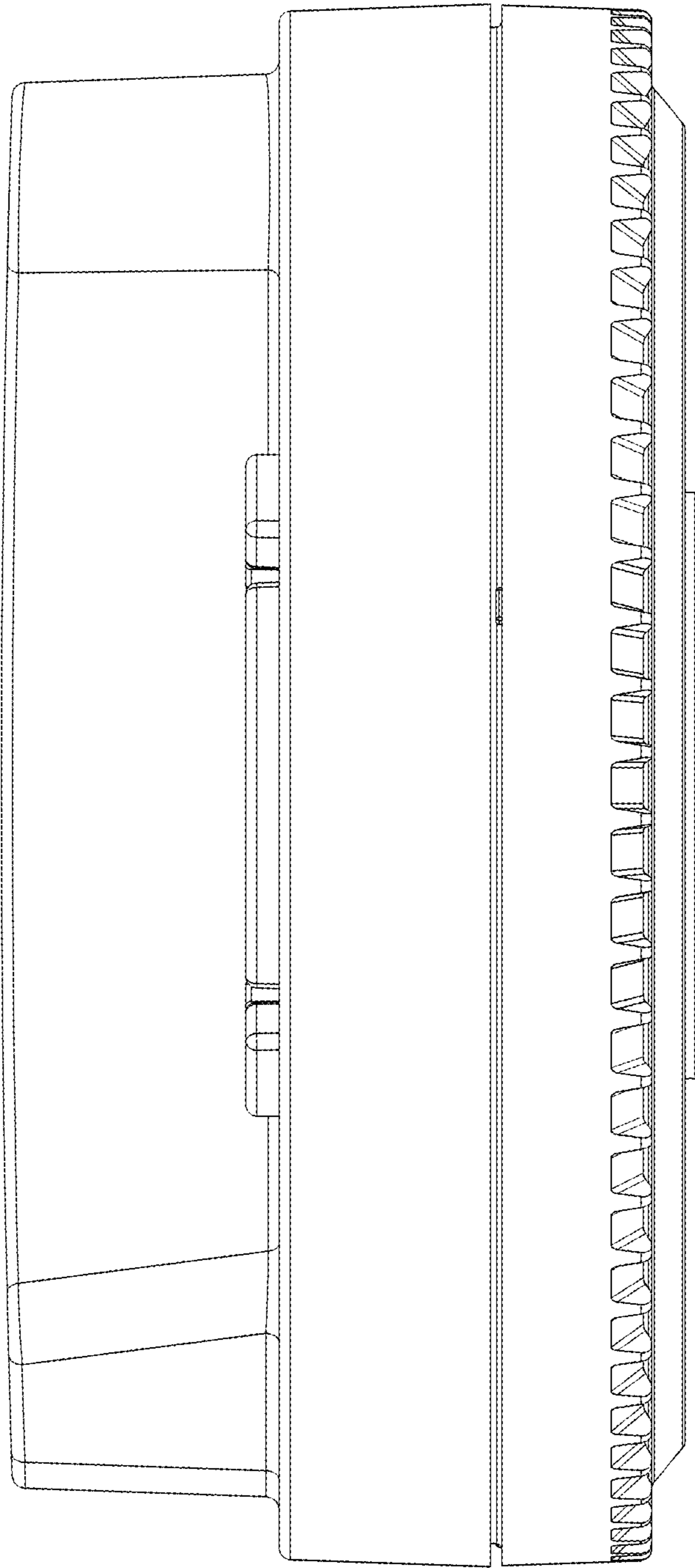
1.1



1.2

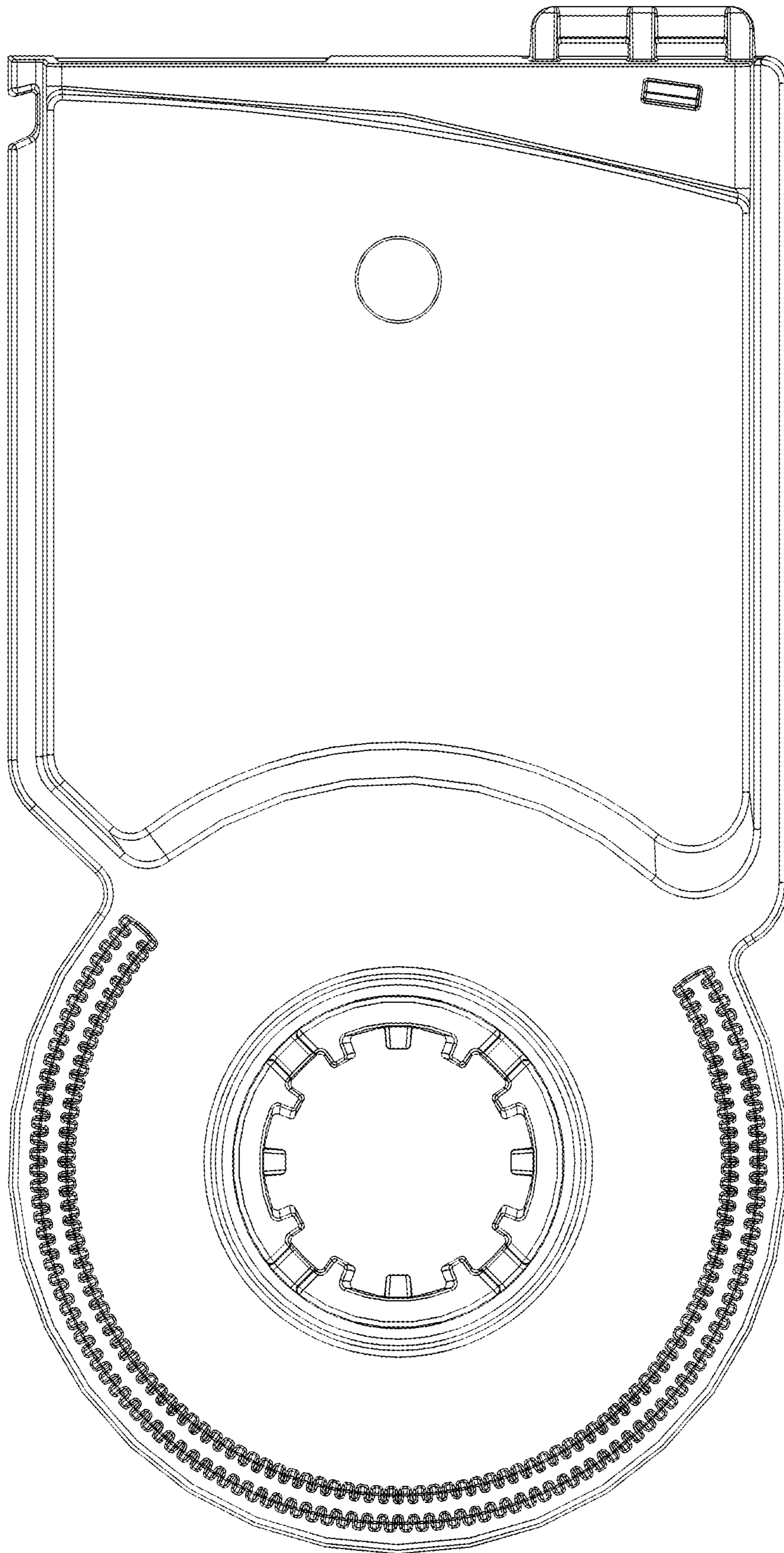


1.3

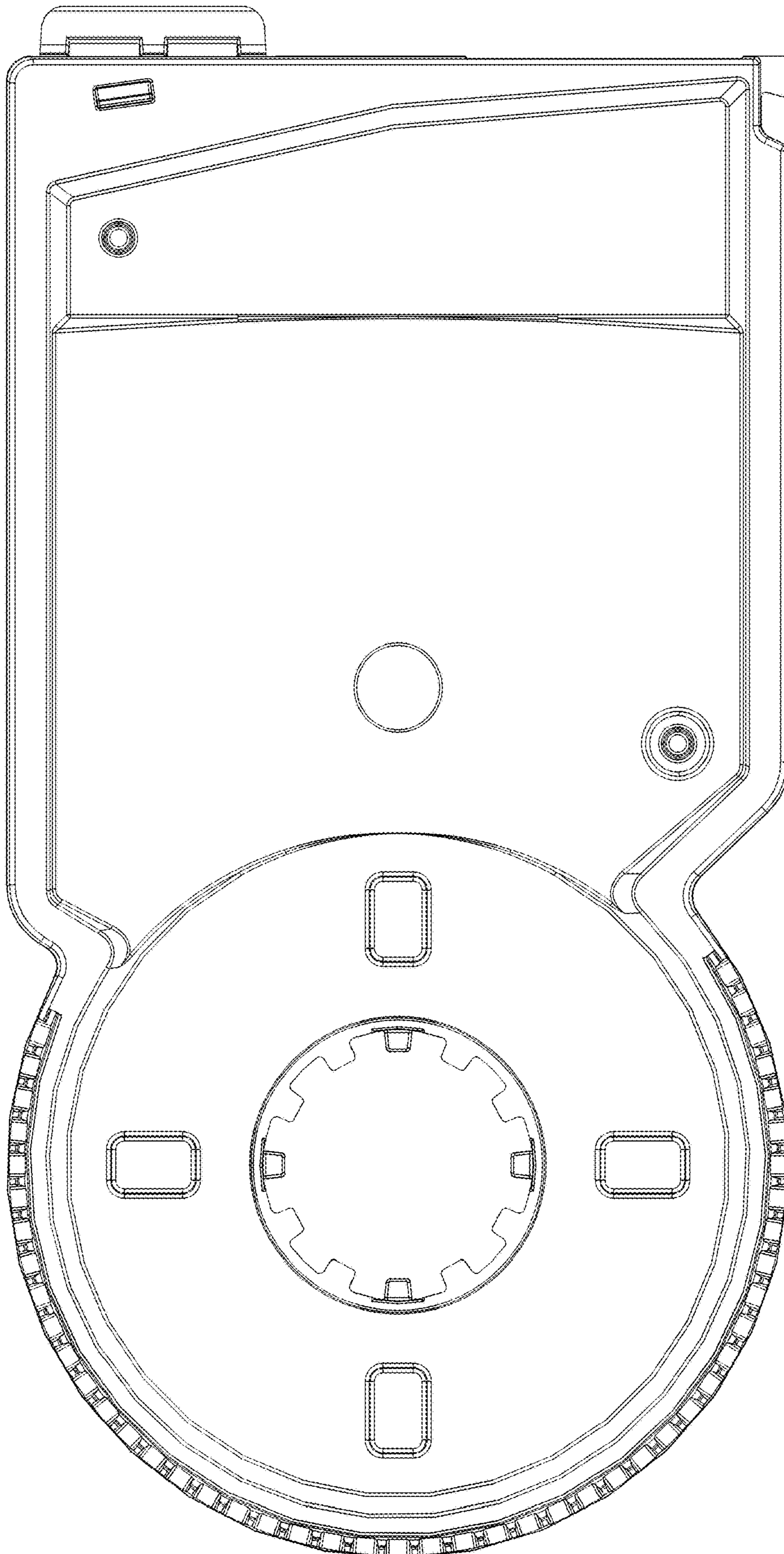


1.4



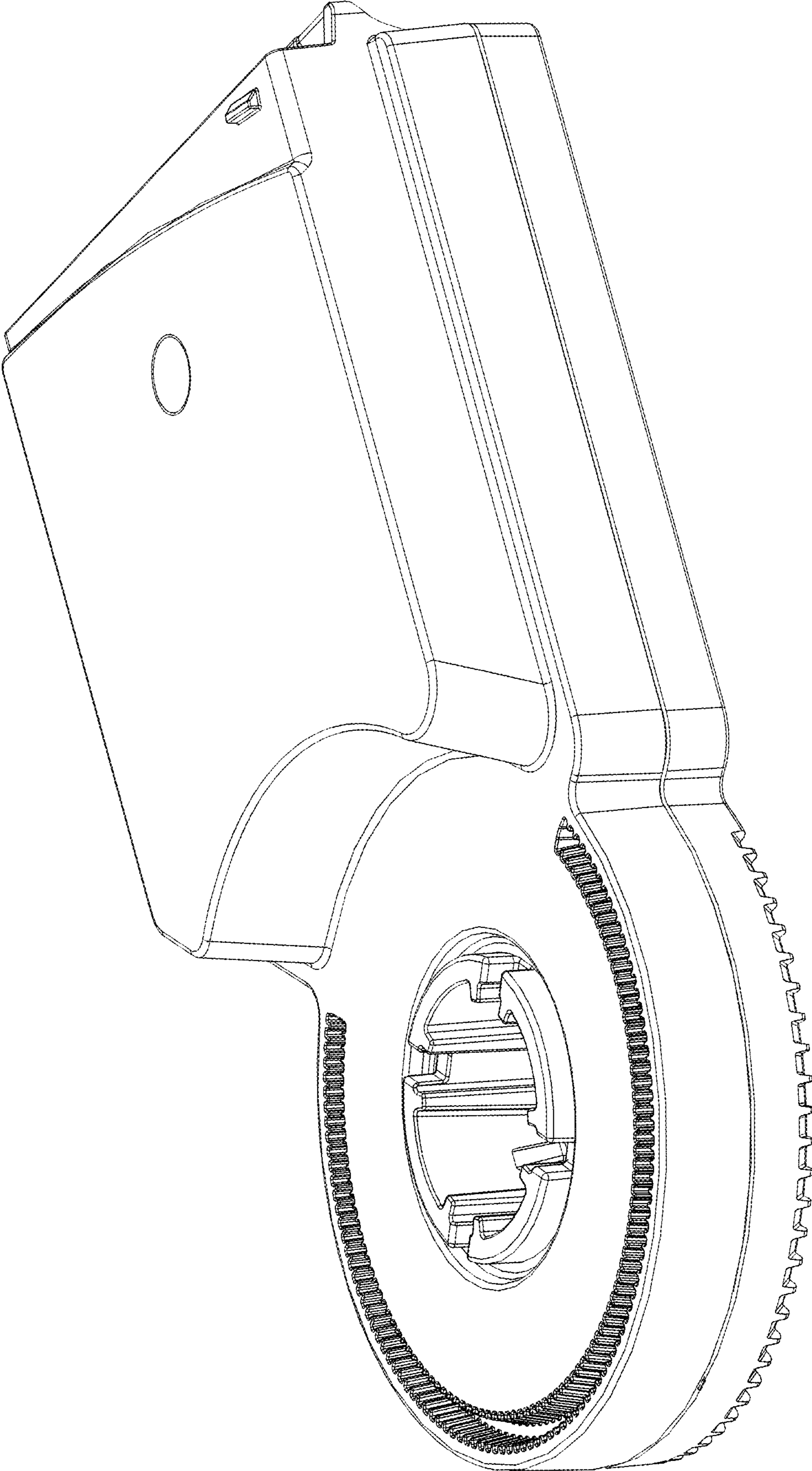


1.5



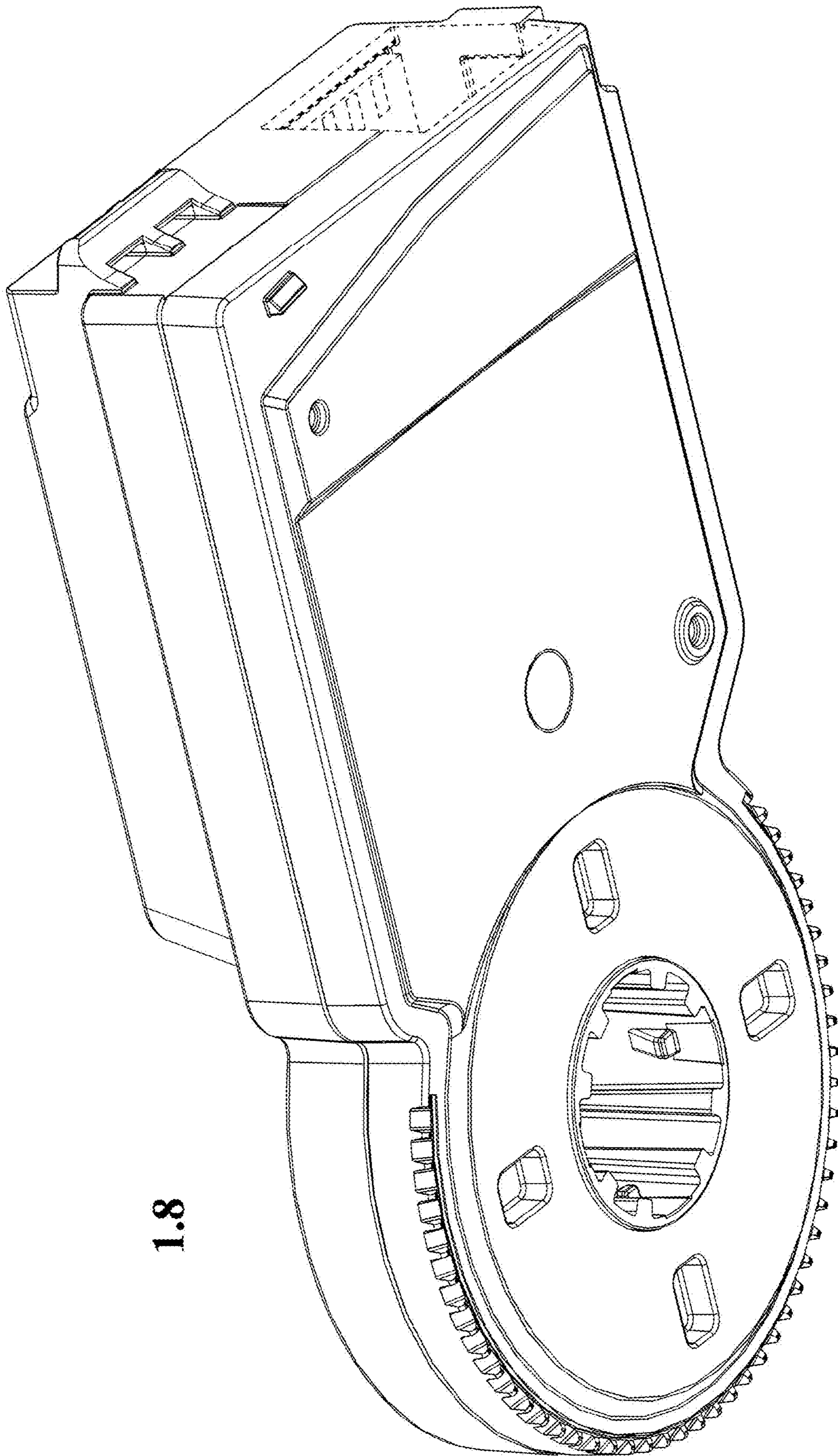
1.6





1.7





1.8