



US00D965524S

(12) **United States Design Patent**
Patil et al.

(10) **Patent No.:** **US D965,524 S**

(45) **Date of Patent:** **** Oct. 4, 2022**

(54) **SUSCEPTOR SUPPORT**

- (71) Applicant: **ASM IP Holding B.V.**, Almere (NL)
- (72) Inventors: **Aniket Patil**, Tempe, AZ (US); **John DiSanto**, Scottsdale, AZ (US); **Sam Kim**, Chandler, AZ (US); **Saket Rathi**, Tempe, AZ (US)
- (73) Assignee: **ASM IP Holding B.V.**, Almere (NL)

(**) Term: **15 Years**

(21) Appl. No.: **29/702,410**

(22) Filed: **Aug. 19, 2019**

(51) **LOC (13) Cl.** **13-02**

(52) **U.S. Cl.**
USPC **D13/118**

(58) **Field of Classification Search**
USPC D7/387, 388, 403; D23/386; D6/702, D6/708, 708.16, 708.23; D11/130, 130.1; D14/227, 229, 238; D13/118, 199
CPC A47C 7/00; A47C 7/002; A47C 7/004; A47B 2013/025; A47G 33/12; A47G 33/1206; A47G 2033/1266; E04H 12/2238

See application file for complete search history.

(56) **References Cited**

U.S. PATENT DOCUMENTS

D30,036 S	1/1899	Rhind
D31,889 S	11/1899	Gill
D56,051 S	8/1920	Cohn
2,059,480 A	11/1936	Obermaier
2,161,626 A	6/1939	Loughner et al.
2,240,163 A	4/1941	Pick

(Continued)

FOREIGN PATENT DOCUMENTS

AT	520629	6/2019
CN	1186873	7/1998

(Continued)

OTHER PUBLICATIONS

Susceptor support | posted at wacomquartz.com, no posting date [online], [site visited May 20, 2022]. Available from Internet, <URL: <http://www.wacomquartz.com/asm.htm#Spider>> (Year: 2022).*

(Continued)

Primary Examiner — Andrew Kerr

(74) *Attorney, Agent, or Firm* — Snell & Wilmer L.L.P.

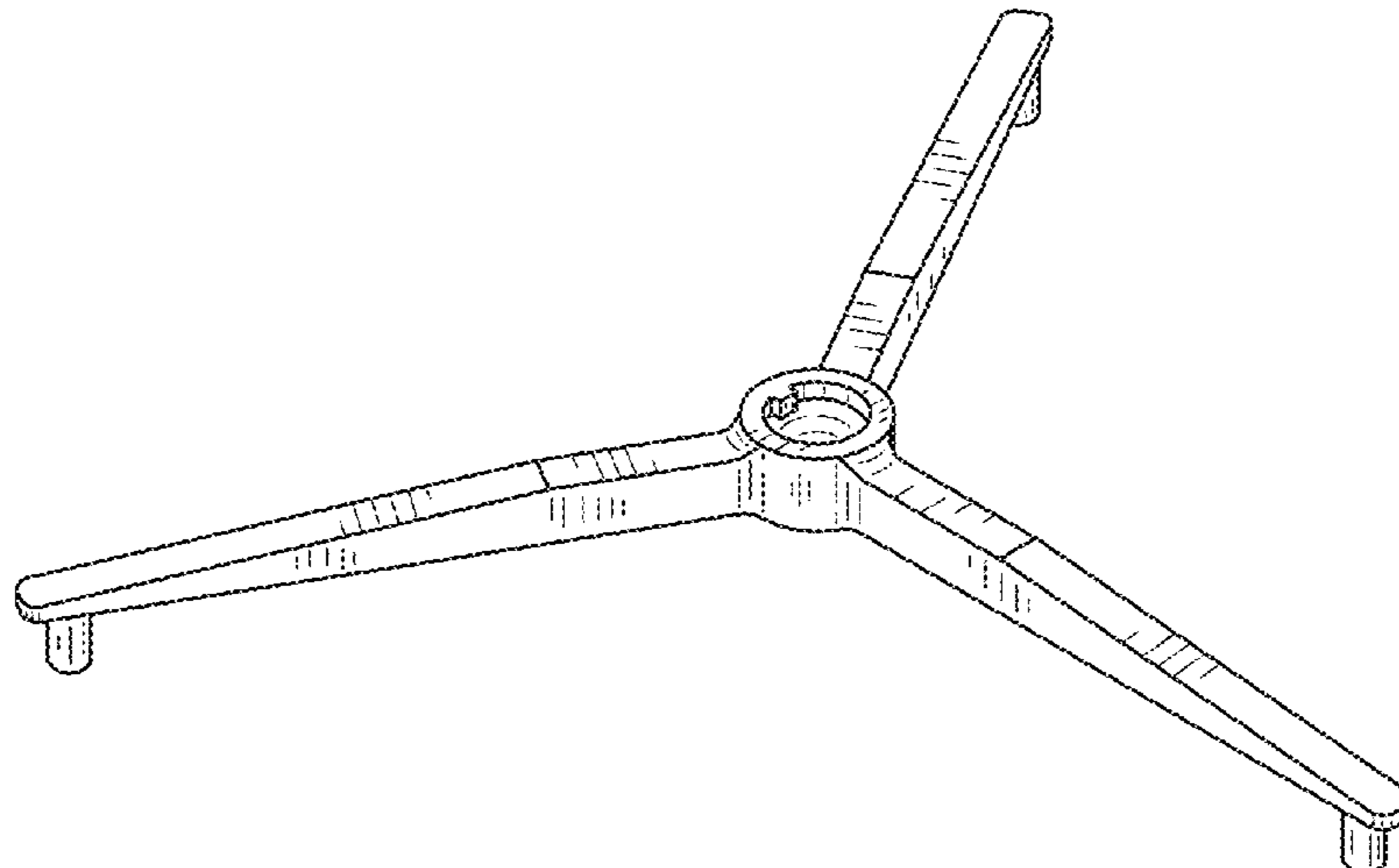
(57) **CLAIM**

The ornamental design of a susceptor support, as shown and described.

DESCRIPTION

FIG. 1 is a top perspective view of the first embodiment of a susceptor support showing our new design; FIG. 2 is a bottom perspective view thereof; FIG. 3 is a top plan view thereof; FIG. 4 is a bottom plan view thereof; FIG. 5 is a front elevational view thereof; FIG. 6 is a rear elevational view thereof; FIG. 7 is a right side elevational view thereof; FIG. 8 is a left side elevational view thereof; FIG. 9 is a cross-sectional view thereof, taken along line 9-9 in FIG. 3; FIG. 10 is a top perspective view of the second embodiment of a susceptor support showing our new design; FIG. 11 is a bottom perspective view thereof; FIG. 12 is a top plan view thereof; FIG. 13 is a bottom plan view thereof; FIG. 14 is a front elevational view thereof; FIG. 15 is a rear elevational view thereof; FIG. 16 is a right side elevational view thereof; FIG. 17 is a left side elevational view thereof; and, FIG. 18 is a cross-sectional view thereof, taken along line 18-18 in FIG. 12.

1 Claim, 12 Drawing Sheets



(56)

References Cited

U.S. PATENT DOCUMENTS

2,266,416 A	12/1941	Duclos	4,389,973 A	6/1983	Suntola et al.
2,280,778 A	4/1942	Andersen	D269,850 S	7/1983	Preisler et al.
D142,841 S	11/1945	D'Algodt	4,393,013 A	7/1983	McMenamin
2,410,420 A	11/1946	Bennett	4,401,507 A	8/1983	Engle
2,441,253 A	5/1948	Sarver	4,412,133 A	10/1983	Eckes et al.
2,480,557 A	8/1949	Cummins	4,413,022 A	11/1983	Suntola et al.
2,563,931 A	8/1951	Harrison	4,414,492 A	11/1983	Hanlet
D168,379 S *	12/1952	Scanland D11/130.1	4,436,674 A	3/1984	McMenamin
2,660,061 A	11/1953	Lewis	4,444,990 A	4/1984	Villar
2,745,640 A	5/1956	Cushman	D274,122 S	6/1984	Stahel et al.
D183,231 S *	7/1958	Turner D23/403	4,454,370 A	6/1984	Voznick
2,847,320 A	8/1958	Bulloff	4,455,193 A	6/1984	Jeuch et al.
2,990,045 A	6/1961	Root	4,465,716 A	8/1984	Baber et al.
3,038,951 A	6/1962	Mead	4,466,766 A	8/1984	Geren et al.
3,089,507 A	5/1963	Drake et al.	4,479,831 A	10/1984	Sandow
3,094,396 A	6/1963	Flugge et al.	4,480,284 A	10/1984	Tojo et al.
3,197,682 A	7/1965	Klass et al.	4,481,300 A	11/1984	Hartnett et al.
3,232,437 A	2/1966	Hultgren	4,484,061 A	11/1984	Zelinka et al.
3,263,502 A	8/1966	Springfield	4,488,506 A	12/1984	Heinecke et al.
D207,935 S *	6/1967	Lovett D23/403	4,495,024 A	1/1985	Bok
3,332,286 A	7/1967	Strong	4,496,828 A	1/1985	Kusmierz et al.
3,410,349 A	11/1968	Troutman	4,499,354 A	2/1985	Hill et al.
3,420,622 A	1/1969	Donges et al.	4,502,094 A	2/1985	Lewin et al.
3,588,192 A	6/1971	Drutchas et al.	4,504,439 A	3/1985	Elter et al.
3,634,740 A	1/1972	Stevko	4,512,113 A	4/1985	Budinger
3,647,387 A	3/1972	Benson	4,512,841 A	4/1985	Cunningham et al.
3,647,716 A	3/1972	Koches	4,520,116 A	5/1985	Gentilman et al.
3,713,899 A	1/1973	Sebestyen	4,520,421 A	5/1985	Sakitani et al.
3,718,429 A	2/1973	Williamson	4,527,005 A	7/1985	McKelvey et al.
3,796,182 A	3/1974	Rosler	4,534,816 A	8/1985	Chen et al.
3,814,128 A	6/1974	Grantham	4,535,628 A	8/1985	Hope
3,833,492 A	9/1974	Bollyky	4,537,001 A	8/1985	Uppstrom
3,854,443 A	12/1974	Baerg	4,548,688 A	10/1985	Mathews
3,862,397 A	1/1975	Anderson et al.	4,551,192 A	11/1985	Di Milia et al.
3,867,205 A	2/1975	Schley	4,554,611 A	11/1985	Lewin
3,885,504 A	5/1975	Baermann	4,560,590 A	12/1985	Bok
3,887,790 A	6/1975	Ferguson	4,570,328 A	2/1986	Price et al.
3,904,371 A	9/1975	Neti	4,575,408 A	3/1986	Bok
3,913,058 A	10/1975	Nishio et al.	4,575,636 A	3/1986	Caprari
3,913,617 A	10/1975	van Laar	4,578,560 A	3/1986	Tanaka et al.
3,916,270 A	10/1975	Wachtler et al.	4,579,080 A	4/1986	Martin et al.
3,947,685 A	3/1976	Meinel	4,579,378 A	4/1986	Snyders
3,960,559 A	6/1976	Suzuki	4,579,623 A	4/1986	Suzuki et al.
3,962,004 A	6/1976	Sonneborn	4,581,520 A	4/1986	Vu et al.
3,983,401 A	9/1976	Livesay	4,590,326 A	5/1986	Woldy
3,997,638 A	12/1976	Manning et al.	4,611,966 A	9/1986	Johnson
4,048,110 A	9/1977	Vanderspurt	4,620,998 A	11/1986	Lalvani
4,054,071 A	10/1977	Patejak	4,622,918 A	11/1986	Bok
4,058,430 A	11/1977	Suntola et al.	4,624,728 A	11/1986	Bithell et al.
4,079,944 A	3/1978	Durley et al.	D288,556 S	3/1987	Wallgren
4,093,491 A	6/1978	Whelpton et al.	4,653,541 A	3/1987	Oehlschlaeger et al.
4,099,041 A	7/1978	Berkman et al.	4,654,226 A	3/1987	Jackson et al.
D249,341 S	9/1978	Mertz	4,655,592 A	4/1987	Allemand
4,126,027 A	11/1978	Smith et al.	4,662,987 A	5/1987	Bok
4,134,425 A	1/1979	Gussefeld et al.	4,664,769 A	5/1987	Cuomo et al.
4,145,699 A	3/1979	Hu et al.	4,670,126 A	6/1987	Messer et al.
4,149,237 A	4/1979	Freitas	4,681,134 A	7/1987	Paris
4,152,760 A	5/1979	Freitas et al.	4,693,211 A	9/1987	Ogami et al.
4,157,751 A	6/1979	Grundken et al.	4,700,089 A	10/1987	Fujii et al.
4,164,959 A	8/1979	Wurzbarger	4,707,815 A	11/1987	Yamasaki
4,176,630 A	12/1979	Elmer	4,717,461 A	1/1988	Strahl et al.
4,179,530 A	12/1979	Koppl et al.	4,718,637 A	1/1988	Contin
4,181,330 A	1/1980	Kojima	4,720,362 A	1/1988	Gentilman et al.
4,184,188 A	1/1980	Briglia	4,720,407 A	1/1988	Sculke
4,194,536 A	3/1980	Stine et al.	4,721,533 A	1/1988	Phillippi et al.
4,217,463 A	8/1980	Swearingen	4,721,534 A	1/1988	Phillippi et al.
4,229,064 A	10/1980	Vetter et al.	4,722,298 A	2/1988	Rubin et al.
4,234,449 A	11/1980	Wolson et al.	4,724,272 A	2/1988	Raniere et al.
4,241,000 A	12/1980	McCauley et al.	4,725,204 A	2/1988	Powell
4,314,763 A	2/1982	Steigmeier et al.	4,735,259 A	4/1988	Vincent
4,322,592 A	3/1982	Martin	4,738,618 A	4/1988	Massey et al.
4,324,611 A	4/1982	Vogel et al.	4,738,748 A	4/1988	Kisa
4,333,735 A	6/1982	Hardy	4,747,367 A	5/1988	Posa
4,355,912 A	10/1982	Haak	4,749,416 A	6/1988	Greenspan
4,384,918 A	5/1983	Abe	4,750,520 A	6/1988	Heim et al.
			4,753,192 A	6/1988	Goldsmith et al.
			4,753,856 A	6/1988	Haluska et al.
			4,756,794 A	7/1988	Yoder
			4,764,076 A	8/1988	Layman et al.

(56)

References Cited

U.S. PATENT DOCUMENTS

4,770,590 A	9/1988	Hugues et al.	5,084,126 A	1/1992	McKee
4,771,015 A	9/1988	Kanai	5,088,444 A	2/1992	Ohmine et al.
4,775,281 A	10/1988	Prentakis	5,097,890 A	3/1992	Nakao
4,776,744 A	10/1988	Stonestreet et al.	5,098,638 A	3/1992	Sawada
4,780,169 A	10/1988	Stark et al.	5,098,865 A	3/1992	Machado
4,781,511 A	11/1988	Harada et al.	5,104,514 A	4/1992	Quartarone
4,789,294 A	12/1988	Sato et al.	5,107,170 A	4/1992	Ishikawa et al.
4,790,258 A	12/1988	Drage et al.	5,108,192 A	4/1992	Mailliet et al.
4,802,441 A	2/1989	Waugh	5,110,407 A	5/1992	Ono et al.
4,804,086 A	2/1989	Grohrock	5,114,683 A	5/1992	Hirase
4,808,387 A	2/1989	Datta et al.	5,116,018 A	5/1992	Friemoth et al.
4,812,201 A	3/1989	Sakai et al.	5,117,121 A	5/1992	Watanabe et al.
4,812,217 A	3/1989	George et al.	5,125,534 S	6/1992	Manville
4,821,674 A	4/1989	deBoer et al.	5,119,760 A	6/1992	McMillan et al.
4,827,430 A	5/1989	Aid et al.	5,124,272 A	6/1992	Saito et al.
4,828,224 A	5/1989	Crabb et al.	5,125,358 A	6/1992	Ueda et al.
4,830,515 A	5/1989	Cortes	5,125,710 A	6/1992	Gianelo
4,837,113 A	6/1989	Luttmer et al.	5,130,003 A	7/1992	Conrad
4,837,185 A	6/1989	Yau et al.	5,134,965 A	8/1992	Tokuda et al.
4,854,263 A	8/1989	Chang et al.	5,137,286 A	8/1992	Whitford
4,854,266 A	8/1989	Simson et al.	D329,622 S *	9/1992	Smith D11/130.1
4,857,137 A	8/1989	Tachi et al.	5,151,296 A	9/1992	Tokunaga
4,857,382 A	8/1989	Liu et al.	5,154,301 A	10/1992	Kos
4,858,557 A	8/1989	Pozzetti et al.	5,158,128 A	10/1992	Inoue et al.
4,863,374 A	9/1989	Vukovich	D330,900 S	11/1992	Wakegijig
4,867,629 A	9/1989	Iwasawa et al.	5,167,716 A	12/1992	Boitnott et al.
4,871,523 A	10/1989	Datta et al.	5,167,761 A	12/1992	Westendorp et al.
4,874,273 A	10/1989	Tokisue et al.	5,174,881 A	12/1992	Iwasaki et al.
4,880,982 A	11/1989	Hoksaas	5,176,451 A	1/1993	Sasada
4,882,199 A	11/1989	Sadoway et al.	5,178,639 A	1/1993	Nishi
4,886,162 A	12/1989	Ambrogio	5,178,682 A	1/1993	Tsukamoto et al.
4,916,091 A	4/1990	Freeman et al.	5,180,273 A	1/1993	Sakaya et al.
4,917,556 A	4/1990	Stark et al.	5,180,435 A	1/1993	Markunas et al.
4,920,918 A	5/1990	Adams et al.	5,181,779 A	1/1993	Shia et al.
4,925,388 A	5/1990	Iseki et al.	5,182,232 A	1/1993	Chhabra et al.
4,931,135 A	6/1990	Horiuchi et al.	5,183,511 A	2/1993	Yamazaki et al.
4,934,831 A	6/1990	Volbrecht	5,186,120 A	2/1993	Ohnishi et al.
4,938,815 A	7/1990	McNeilly	D333,606 S	3/1993	Kanemitsu et al.
D309,702 S	8/1990	Hall	5,192,717 A	3/1993	Kawakami
4,949,671 A	8/1990	Davis et al.	5,193,912 A	3/1993	Saunders
4,949,848 A	8/1990	Kos	5,193,969 A	3/1993	Rush et al.
4,950,624 A	8/1990	Inuzima et al.	5,194,401 A	3/1993	Adams et al.
4,956,538 A	9/1990	Moslehi	5,199,603 A	4/1993	Prescott
4,958,061 A	9/1990	Wakabayashi et al.	5,208,961 A	5/1993	Lajoie
D311,126 S	10/1990	Crowley	5,213,650 A	5/1993	Wang et al.
4,962,063 A	10/1990	Maydan et al.	5,219,226 A	6/1993	James
4,963,506 A	10/1990	Liaw et al.	5,221,556 A	6/1993	Hawkins et al.
4,976,996 A	12/1990	Monkowski et al.	5,225,366 A	7/1993	Yoder
4,978,567 A	12/1990	Miller	5,226,383 A	7/1993	Bhat
4,984,904 A	1/1991	Nakano et al.	5,226,713 A	7/1993	Matsumura
4,985,114 A	1/1991	Okudaira	5,226,967 A	7/1993	Chen et al.
4,986,215 A	1/1991	Yamada	5,228,114 A	7/1993	Suzuki
4,987,102 A	1/1991	Nguyen et al.	5,231,062 A	7/1993	Mathers et al.
4,987,856 A	1/1991	Hey	5,232,508 A	8/1993	Arena et al.
4,989,992 A	2/1991	Piai	5,234,526 A	8/1993	Chen et al.
4,991,614 A	2/1991	Hammel	5,242,501 A	9/1993	McDiarmid
5,002,632 A	3/1991	Loewenstein et al.	5,242,539 A	9/1993	Kumihashi et al.
5,013,691 A	5/1991	Lory et al.	5,243,195 A	9/1993	Nishi
5,022,961 A	6/1991	Izumi et al.	5,243,202 A	9/1993	Mori et al.
5,027,746 A	7/1991	Frijlink	5,246,218 A	9/1993	Yap et al.
5,028,366 A	7/1991	Harakal et al.	5,246,500 A	9/1993	Samata et al.
D320,148 S	9/1991	Andrews	5,249,960 A	10/1993	Monoe
5,049,029 A	9/1991	Mitsui et al.	5,250,092 A	10/1993	Nakano
5,053,247 A	10/1991	Moore	5,252,133 A	10/1993	Miyazaki et al.
5,057,436 A	10/1991	Ball	5,252,134 A	10/1993	Stauffer
5,060,322 A	10/1991	Delepine	5,259,881 A	11/1993	Edwards et al.
5,061,083 A	10/1991	Grimm et al.	5,261,167 A	11/1993	Sakata
5,062,386 A	11/1991	Christensen	5,266,526 A	11/1993	Aoyama
5,064,337 A	11/1991	Asakawa et al.	5,268,989 A	12/1993	Moslehi et al.
5,065,698 A	11/1991	Koike	5,271,967 A	12/1993	Kramer et al.
5,067,437 A	11/1991	Watanabe et al.	5,273,609 A	12/1993	Moslehi
5,069,591 A	12/1991	Kinoshita	5,277,932 A	1/1994	Spencer
5,071,258 A	12/1991	Usher et al.	5,278,494 A	1/1994	Obigane
5,074,017 A	12/1991	Toya et al.	5,279,886 A	1/1994	Kawai et al.
5,082,517 A	1/1992	Moslehi	5,279,986 A	1/1994	Maloney et al.
			5,280,894 A	1/1994	Witcraft et al.
			5,281,274 A	1/1994	Yoder
			5,284,519 A	2/1994	Gadgil
			5,288,684 A	2/1994	Yamazaki et al.

(56)

References Cited

U.S. PATENT DOCUMENTS

5,294,572 A	3/1994	Granneman et al.	5,480,488 A	1/1996	Bittner et al.
5,294,778 A	3/1994	Carman et al.	5,480,818 A	1/1996	Matsumoto et al.
5,295,777 A	3/1994	Hodos	5,482,559 A	1/1996	Imai et al.
5,298,089 A	3/1994	Bowe et al.	5,484,484 A	1/1996	Yamaga et al.
5,305,417 A	4/1994	Najm et al.	5,494,439 A	2/1996	Goldstein et al.
5,306,666 A	4/1994	Izumi	5,494,494 A	2/1996	Mizuno et al.
5,306,946 A	4/1994	Yamamoto	5,496,408 A	3/1996	Motoda et al.
5,308,650 A	5/1994	Krummel et al.	5,501,740 A	3/1996	Besen et al.
5,308,788 A	5/1994	Fitch et al.	5,503,875 A	4/1996	Imai et al.
5,310,410 A	5/1994	Begin et al.	5,504,042 A	4/1996	Cho et al.
5,310,456 A	5/1994	Kadomura	5,510,277 A	4/1996	Cunningham et al.
5,312,245 A	5/1994	Brannen et al.	5,512,102 A	4/1996	Yamazaki
5,313,061 A	5/1994	Drew et al.	5,514,439 A	5/1996	Sibley
5,314,538 A	5/1994	Maeda et al.	5,518,549 A	5/1996	Hellwig
5,314,570 A	5/1994	Ikegaya et al.	5,518,780 A	5/1996	Tamor et al.
5,315,092 A	5/1994	Takahashi et al.	5,519,234 A	5/1996	Paz de Araujo
5,320,218 A	6/1994	Yamashita et al.	5,520,743 A	5/1996	Takahashi et al.
5,326,427 A	7/1994	Jerbic	5,523,616 A	6/1996	Yasuhide
5,328,360 A	7/1994	Yokokawa	5,527,111 A	6/1996	Lysen et al.
5,328,810 A	7/1994	Lowrey et al.	5,527,417 A	6/1996	Iida et al.
5,335,309 A	8/1994	Fujii et al.	5,531,218 A	7/1996	Krebs
5,336,327 A	8/1994	Lee	5,531,835 A	7/1996	Fodor et al.
5,338,362 A	8/1994	Imahashi	5,537,311 A	7/1996	Stevens
5,340,261 A	8/1994	Oosawa et al.	5,540,059 A	7/1996	Yokokawa
5,346,961 A	9/1994	Shaw et al.	5,540,821 A	7/1996	Tepman
5,348,774 A	9/1994	Golecki et al.	5,540,898 A	7/1996	Davidson
5,350,480 A	9/1994	Gray	5,554,557 A	9/1996	Koh
5,354,433 A	10/1994	Granneman et al.	5,556,275 A	9/1996	Sakata et al.
5,354,580 A	10/1994	Goela et al.	5,558,717 A	9/1996	Zhao et al.
5,356,478 A	10/1994	Chen et al.	5,559,046 A	9/1996	Oishi et al.
5,356,672 A	10/1994	Schmitt et al.	5,562,383 A	10/1996	Iwai et al.
5,360,269 A	11/1994	Ogawa et al.	5,562,947 A	10/1996	White et al.
5,362,328 A	11/1994	Gardiner et al.	5,562,952 A	10/1996	Nakahigashi et al.
5,364,667 A	11/1994	Rhieu	5,565,038 A	10/1996	Ashley
D353,452 S	12/1994	Groenhoff	5,569,402 A	10/1996	Meisser et al.
5,374,315 A	12/1994	Deboer et al.	5,574,247 A	11/1996	Nishitani et al.
D354,898 S	1/1995	Nagy	5,576,629 A	11/1996	Turner
5,378,501 A	1/1995	Foster et al.	5,577,331 A	11/1996	Suzuki
5,380,367 A	1/1995	Bertone	5,583,736 A	12/1996	Anderson et al.
5,382,311 A	1/1995	Ishikawa et al.	5,584,936 A	12/1996	Pickering et al.
5,387,265 A	2/1995	Kakizaki et al.	5,584,963 A	12/1996	Takahashi
5,388,945 A	2/1995	Garric et al.	5,586,585 A	12/1996	Bonora et al.
5,393,577 A	2/1995	Uesugi et al.	5,589,002 A	12/1996	Su
5,397,395 A	3/1995	Sano et al.	5,589,110 A	12/1996	Motoda et al.
5,403,630 A	4/1995	Matsui et al.	5,595,606 A	1/1997	Fujikawa et al.
5,404,082 A	4/1995	Hernandez et al.	5,601,641 A	2/1997	Stephens
5,407,449 A	4/1995	Zinger	5,602,060 A	2/1997	Kobayashi et al.
5,407,867 A	4/1995	Iwasaki et al.	5,604,410 A	2/1997	Vollkommer et al.
5,413,813 A	5/1995	Cruse et al.	5,611,448 A	3/1997	Chen
5,414,221 A	5/1995	Gardner	5,616,264 A	4/1997	Nishi et al.
5,415,753 A	5/1995	Hurwitt et al.	5,616,947 A	4/1997	Tamura
5,418,382 A	5/1995	Blackwood et al.	5,621,982 A	4/1997	Yamashita
5,421,893 A	6/1995	Perlov	5,632,919 A	5/1997	MacCracken et al.
5,422,139 A	6/1995	Fischer	5,637,153 A	6/1997	Niino et al.
5,423,942 A	6/1995	Robbins et al.	D380,527 S	7/1997	Velez
5,426,137 A	6/1995	Allen	5,645,646 A	7/1997	Beinglass et al.
5,427,824 A	6/1995	Inushima et al.	5,650,013 A	7/1997	Yamazaki
5,430,011 A	7/1995	Tanaka et al.	5,650,351 A	7/1997	Wu
5,431,734 A	7/1995	Chapple-Sokol et al.	5,653,807 A	8/1997	Crumbaker
5,443,646 A	8/1995	Yamada et al.	5,656,093 A	8/1997	Burkhart et al.
5,443,648 A	8/1995	Ohkase	5,661,263 A	8/1997	Salvaggio
5,443,686 A	8/1995	Jones et al.	5,662,470 A	9/1997	Huussen et al.
5,444,217 A	8/1995	Moore	5,663,899 A	9/1997	Zvonar et al.
5,447,294 A	9/1995	Sakata et al.	5,665,608 A	9/1997	Chapple-Sokol et al.
5,453,124 A	9/1995	Moslehi et al.	5,667,592 A	9/1997	Boitnott et al.
D363,464 S	10/1995	Fukasawa	5,670,786 A	9/1997	Meyer et al.
5,456,207 A	10/1995	Gedridge et al.	5,679,215 A	10/1997	Barnes et al.
5,456,757 A	10/1995	Aruga et al.	5,681,779 A	10/1997	Pasch et al.
5,461,214 A	10/1995	Peck et al.	D386,076 S	11/1997	Moore
5,462,899 A	10/1995	Ikeda	5,683,517 A	11/1997	Shan
5,463,176 A	10/1995	Eckert	5,683,561 A	11/1997	Hollars et al.
5,464,313 A	11/1995	Ohsawa	5,685,912 A	11/1997	Nishizaka
5,474,410 A	12/1995	Ozawa et al.	5,685,914 A	11/1997	Hills et al.
5,474,612 A	12/1995	Sato et al.	5,690,742 A	11/1997	Ogata et al.
5,478,429 A	12/1995	Komino et al.	5,695,567 A	12/1997	Kordina
			5,697,706 A	12/1997	Ciaravino et al.
			5,698,036 A	12/1997	Ishii et al.
			5,700,729 A	12/1997	Lee et al.
			5,708,825 A	1/1998	Sotomayor

(56)

References Cited

U.S. PATENT DOCUMENTS

5,709,745 A	1/1998	Larkin et al.	5,879,128 A	3/1999	Tietz et al.
5,711,811 A	1/1998	Suntola et al.	5,879,459 A	3/1999	Gadgil et al.
5,716,133 A	2/1998	Hosokawa et al.	5,880,980 A	3/1999	Rothacher et al.
5,718,574 A	2/1998	Shimazu	5,882,165 A	3/1999	Maydan et al.
5,720,927 A	2/1998	Cripe et al.	5,884,640 A	3/1999	Fishkin et al.
D392,855 S	3/1998	Pillow	5,888,304 A	3/1999	Umotoy et al.
5,724,748 A	3/1998	Brooks	5,891,251 A	4/1999	MacLeish et al.
5,728,223 A	3/1998	Murakami et al.	5,893,741 A	4/1999	Huang
5,728,425 A	3/1998	Ebe et al.	5,897,348 A	4/1999	Wu
5,730,801 A	3/1998	Tepman et al.	5,897,378 A	4/1999	Eriguchi
5,730,802 A	3/1998	Ishizumi et al.	5,897,379 A	4/1999	Ulrich et al.
5,732,597 A	3/1998	Devenyi	5,897,710 A	4/1999	Sato et al.
5,732,744 A	3/1998	Barr et al.	D409,894 S	5/1999	McClurg
5,732,957 A	3/1998	Yu	5,904,170 A	5/1999	Harvey et al.
5,736,314 A	4/1998	Hayes et al.	D411,516 S	6/1999	Imafuku et al.
5,753,835 A	5/1998	Gustin	5,908,672 A	6/1999	Ryu
5,754,390 A	5/1998	Sandhu et al.	5,915,200 A	6/1999	Tokumasu et al.
5,759,281 A	6/1998	Gurary et al.	5,915,562 A	6/1999	Nyseth et al.
5,761,328 A	6/1998	Solberg et al.	5,916,365 A	6/1999	Sherman
5,766,365 A	6/1998	Umutoy et al.	D412,270 S	7/1999	Fredrickson
5,768,125 A	6/1998	Zinger et al.	5,920,798 A	7/1999	Higuchi et al.
5,769,952 A	6/1998	Komino	5,928,426 A	7/1999	Aitchison
5,775,889 A	7/1998	Kobayashi et al.	D412,512 S	8/1999	Boisvert
5,777,838 A	7/1998	Tamagawa et al.	5,937,142 A	8/1999	Moslehi et al.
5,779,203 A	7/1998	Edlinger	5,937,323 A	8/1999	Orczyk et al.
5,781,693 A	7/1998	Ballance et al.	5,939,886 A	8/1999	Turner et al.
5,782,979 A	7/1998	Kaneno	5,947,718 A	9/1999	Weaver
5,790,750 A	8/1998	Anderson	5,950,327 A	9/1999	Peterson et al.
5,791,782 A	8/1998	Wooten et al.	5,950,925 A	9/1999	Fukunaga et al.
5,792,272 A	8/1998	Van Os et al.	5,954,375 A	9/1999	Trickle et al.
5,796,074 A	8/1998	Edelstein et al.	5,961,775 A	10/1999	Fujimura
5,801,104 A	9/1998	Schuegraf et al.	5,968,275 A	10/1999	Lee et al.
5,801,945 A	9/1998	Commer	5,970,621 A	10/1999	Bazydola
5,804,505 A	9/1998	Yamada et al.	5,972,196 A	10/1999	Murphy et al.
5,806,980 A	9/1998	Berrian	5,975,492 A	11/1999	Brenes
5,813,851 A	9/1998	Nakao	5,976,973 A	11/1999	Ohira et al.
5,818,716 A	10/1998	Chin et al.	5,979,506 A	11/1999	Aarseth
5,819,092 A	10/1998	Ferguson et al.	5,982,931 A	11/1999	Ishimaru
5,819,434 A	10/1998	Herchen et al.	5,984,391 A	11/1999	Vanderpot et al.
5,820,366 A	10/1998	Lee	5,987,480 A	11/1999	Donohue et al.
5,820,685 A	10/1998	Kurihira et al.	5,989,342 A	11/1999	Ikeda et al.
5,820,686 A	10/1998	Moore	5,992,453 A	11/1999	Zimmer
5,826,129 A	10/1998	Hasebe et al.	5,997,588 A	12/1999	Goodwin
5,827,420 A	10/1998	Shirazi et al.	5,997,768 A	12/1999	Scully
5,827,435 A	10/1998	Samukawa	5,998,870 A	12/1999	Lee et al.
5,827,757 A	10/1998	Robinson, Jr. et al.	6,000,732 A	12/1999	Scheler et al.
5,836,483 A	11/1998	Disel	6,001,183 A	12/1999	Gurary et al.
5,837,058 A	11/1998	Chen et al.	6,001,267 A	12/1999	Van Os et al.
5,837,320 A	11/1998	Hampden-Smith et al.	6,004,204 A	12/1999	Luxton et al.
D402,170 S *	12/1998	Cox D8/1	D419,652 S	1/2000	Hall et al.
5,844,683 A	12/1998	Pavloski et al.	6,013,553 A	1/2000	Wallace
5,846,332 A	12/1998	Zhao et al.	6,013,920 A	1/2000	Gordon et al.
5,851,293 A	12/1998	Lane et al.	6,014,677 A	1/2000	Hayashi et al.
5,851,294 A	12/1998	Young et al.	6,015,459 A	1/2000	Jamison et al.
5,851,299 A	12/1998	Cheng et al.	6,015,465 A	1/2000	Kholodenko et al.
5,852,445 A	12/1998	Yoshikawa et al.	6,017,779 A	1/2000	Miyasaka
5,852,879 A	12/1998	Schumaier	6,017,818 A	1/2000	Lu
5,853,484 A	12/1998	Jeong	6,022,180 A	2/2000	Motoyama et al.
D403,949 S	1/1999	Nakamura	6,022,802 A	2/2000	Jang
D404,370 S	1/1999	Kimura	6,024,799 A	2/2000	Chen et al.
D404,372 S	1/1999	Ishii	6,025,117 A	2/2000	Nakano et al.
5,855,680 A	1/1999	Soininen et al.	6,027,163 A	2/2000	Longenecker et al.
5,855,681 A	1/1999	Maydan et al.	6,029,602 A	2/2000	Bhatnagar
5,855,687 A	1/1999	DuBois et al.	6,030,900 A	2/2000	Grassl et al.
5,855,726 A	1/1999	Soraoka et al.	6,033,215 A	3/2000	Ohsawa
5,857,777 A	1/1999	Schuh	6,035,101 A	3/2000	Sajoto et al.
5,861,233 A	1/1999	Sekine et al.	6,035,804 A	3/2000	Arami et al.
5,862,302 A	1/1999	Okase	6,039,809 A	3/2000	Toyama et al.
5,863,123 A	1/1999	Lee et al.	6,042,077 A *	3/2000	Shoesmith A47G 33/12 248/188.5
5,865,205 A	2/1999	Wilmer	6,042,652 A	3/2000	Hyun
5,866,795 A	2/1999	Wang et al.	6,044,860 A	4/2000	Neu
5,871,586 A	2/1999	Crawley et al.	6,045,260 A	4/2000	Schwartz et al.
5,872,065 A	2/1999	Sivaramakrishnan	6,048,154 A	4/2000	Wytman
5,873,942 A	2/1999	Park	6,050,506 A	4/2000	Guo et al.
5,877,095 A	3/1999	Tamura et al.	6,053,982 A	4/2000	Halpin et al.
			6,053,983 A	4/2000	Saeki et al.
			6,054,013 A	4/2000	Collins et al.
			6,054,678 A	4/2000	Miyazaki

(56)

References Cited

U.S. PATENT DOCUMENTS

6,060,691	A	5/2000	Minami et al.	6,180,979	B1	1/2001	Hofman et al.
6,060,721	A	5/2000	Huang	6,182,603	B1	2/2001	Shang et al.
6,063,196	A	5/2000	Li et al.	6,183,564	B1	2/2001	Reynolds et al.
6,066,204	A	5/2000	Haven	6,183,565	B1	2/2001	Granneman et al.
6,068,441	A	5/2000	Raaijmakers et al.	6,187,672	B1	2/2001	Zhao et al.
6,071,572	A	6/2000	Mosely et al.	6,187,691	B1	2/2001	Fukuda
6,072,163	A	6/2000	Armstrong et al.	6,189,482	B1	2/2001	Zhao et al.
6,073,973	A	6/2000	Boscaljon et al.	6,190,037	B1	2/2001	Das et al.
6,074,154	A	6/2000	Ueda et al.	6,190,113	B1	2/2001	Bui et al.
6,074,443	A	6/2000	Venkatesh	6,190,634	B1	2/2001	Lieber et al.
6,074,514	A	6/2000	Bjorkman et al.	6,191,399	B1	2/2001	Van Bilsen
6,077,027	A	6/2000	Kawamura et al.	6,194,037	B1	2/2001	Terasaki et al.
6,079,356	A	6/2000	Umotoy et al.	6,200,897	B1	3/2001	Wang et al.
6,079,927	A	6/2000	Muka	6,201,999	B1	3/2001	Jevtic
6,083,321	A	7/2000	Lei et al.	6,203,613	B1	3/2001	Gates et al.
6,086,677	A	7/2000	Umotoy et al.	6,203,618	B1	3/2001	Hashizume et al.
6,090,212	A	7/2000	Mahawili	6,207,932	B1	3/2001	Yoo
6,090,442	A	7/2000	Klaus et al.	6,207,936	B1	3/2001	de Waard
6,090,659	A	7/2000	Laibowitz et al.	6,209,221	B1	4/2001	Beulens
6,091,062	A	7/2000	Pfahnl et al.	6,210,485	B1	4/2001	Zhao et al.
6,093,252	A	7/2000	Wengert et al.	6,212,789	B1	4/2001	Kato
6,093,253	A	7/2000	Lofgren	6,213,708	B1	4/2001	Allen
6,093,611	A	7/2000	Gardner et al.	6,214,122	B1	4/2001	Thompson
6,095,083	A	8/2000	Rice et al.	6,214,717	B1	4/2001	Yan et al.
6,096,133	A	8/2000	Yuuki et al.	6,217,658	B1	4/2001	Orczyk et al.
6,096,267	A	8/2000	Kishkovich	6,217,662	B1	4/2001	Kong et al.
6,099,302	A	8/2000	Hong et al.	6,218,288	B1	4/2001	Li et al.
6,099,649	A	8/2000	Schmitt et al.	6,224,679	B1	5/2001	Sasaki et al.
6,099,651	A	8/2000	Sajoto et al.	6,225,020	B1	5/2001	Jung et al.
6,102,565	A	8/2000	Kita et al.	6,225,602	B1	5/2001	Buijze et al.
6,104,002	A	8/2000	Hirose et al.	6,225,745	B1	5/2001	Srivastava
6,104,011	A	8/2000	Juliano	6,230,650	B1	5/2001	Yamazaki
6,104,401	A	8/2000	Parsons	6,231,290	B1	5/2001	Kikuchi et al.
6,106,625	A	8/2000	Koai et al.	6,235,121	B1	5/2001	Honma et al.
6,106,678	A	8/2000	Shufflebotham	6,235,858	B1	5/2001	Swarup et al.
6,110,531	A	8/2000	Paz de Araujo et al.	6,238,734	B1	5/2001	Senzaki et al.
6,113,703	A	9/2000	Anderson et al.	6,239,402	B1	5/2001	Araki et al.
6,119,710	A	9/2000	Brown	6,239,715	B1	5/2001	Belton
6,121,061	A	9/2000	Van Bilsen et al.	6,240,875	B1	6/2001	Wijck et al.
6,121,158	A	9/2000	Benchikha et al.	6,241,822	B1	6/2001	Ide
6,122,036	A	9/2000	Yamasaki et al.	6,242,359	B1	6/2001	Misra
6,124,600	A	9/2000	Moroishi et al.	6,243,654	B1	6/2001	Johnson et al.
6,125,789	A	10/2000	Gupta et al.	6,245,647	B1	6/2001	Akiyama et al.
6,126,744	A	10/2000	Hawkins et al.	6,245,665	B1	6/2001	Yokoyama
6,126,848	A	10/2000	Li et al.	6,247,245	B1	6/2001	Ishii
6,127,249	A	10/2000	Hu	6,250,250	B1	6/2001	Maishev et al.
6,129,044	A	10/2000	Zhao et al.	6,255,221	B1	7/2001	Hudson et al.
6,129,546	A	10/2000	Sada	6,257,758	B1	7/2001	Culbertson
6,132,207	A	10/2000	Stoutjesdijk	6,261,648	B1	7/2001	Akiba et al.
6,134,807	A	10/2000	Komino	6,264,467	B1	7/2001	Lue et al.
6,135,460	A	10/2000	Wise et al.	6,265,113	B1	7/2001	Rosasco et al.
6,137,240	A	10/2000	Bogdan	6,265,311	B1	7/2001	Hautala et al.
6,139,239	A	10/2000	Snijders	6,270,572	B1	8/2001	Kim et al.
6,139,983	A	10/2000	Ohashi et al.	6,271,148	B1	8/2001	Kao
6,140,252	A	10/2000	Cho et al.	6,271,320	B1	8/2001	Keller et al.
6,143,079	A	11/2000	Halpin	6,274,496	B1	8/2001	Leusink et al.
6,143,082	A	11/2000	McInerney et al.	6,274,878	B1	8/2001	Li et al.
6,143,129	A	11/2000	Savas et al.	6,281,098	B1	8/2001	Wang
6,146,463	A	11/2000	Yudovsky et al.	6,281,141	B1	8/2001	Das et al.
6,148,761	A	11/2000	Majewski et al.	6,283,692	B1	9/2001	Perlov et al.
6,151,446	A	11/2000	Hunter et al.	6,284,050	B1	9/2001	Shi et al.
6,152,070	A	11/2000	Fairbairn et al.	6,284,149	B1	9/2001	Li et al.
6,152,669	A	11/2000	Morita et al.	6,287,965	B1	9/2001	Kang et al.
6,156,151	A	12/2000	Komino et al.	6,287,988	B1	9/2001	Nagamine et al.
6,158,941	A	12/2000	Muka et al.	6,293,700	B1	9/2001	Lund et al.
6,159,301	A	12/2000	Sato et al.	D449,873	S	10/2001	Bronson
6,160,244	A	12/2000	Ohashi	6,296,710	B1	10/2001	Allen et al.
6,161,500	A	12/2000	Kopacz et al.	6,296,711	B1	10/2001	Loan et al.
6,162,323	A	12/2000	Koshimizu	6,296,909	B1	10/2001	Spitsberg
6,164,894	A	12/2000	Cheng	6,297,539	B1	10/2001	Ma et al.
6,174,809	B1	1/2001	Kang et al.	6,299,133	B2	10/2001	Waragai et al.
6,176,929	B1	1/2001	Fukunaga et al.	6,302,964	B1	10/2001	Umotoy et al.
6,177,688	B1	1/2001	Linthicum et al.	6,303,523	B2	10/2001	Cheung
6,178,918	B1	1/2001	Van Os et al.	6,305,898	B1	10/2001	Yamagishi et al.
6,179,955	B1	1/2001	Shin et al.	6,311,016	B1	10/2001	Yanagawa et al.
				6,312,525	B1	11/2001	Bright et al.
				6,315,512	B1	11/2001	Tabrizi et al.
				6,316,162	B1	11/2001	Jung et al.
				6,316,371	B1	11/2001	Oosterlaken et al.

(56)

References Cited

U.S. PATENT DOCUMENTS

6,320,320 B1	11/2001	Bailey et al.	6,445,574 B1	9/2002	Saw et al.
6,321,680 B2	11/2001	Cook et al.	6,446,573 B2	9/2002	Hirayama et al.
6,321,780 B1	11/2001	Iwabuchi	6,447,232 B1	9/2002	Davis et al.
D451,893 S	12/2001	Robson	6,447,651 B1	9/2002	Ishikawa et al.
D452,220 S	12/2001	Robson	6,447,937 B1	9/2002	Murakawa et al.
6,325,858 B1	12/2001	Wengert	6,448,192 B1	9/2002	Kaushik
6,326,322 B1	12/2001	Kim et al.	6,450,117 B1	9/2002	Murugesu et al.
6,326,597 B1	12/2001	Lubomirsky et al.	6,450,757 B1	9/2002	Saeki
6,328,561 B1	12/2001	Hasper et al.	6,451,713 B1	9/2002	Tay et al.
6,328,864 B1	12/2001	Ishizawa et al.	6,452,017 B1	9/2002	Uhlenbrock et al.
6,329,297 B1	12/2001	Balish	6,454,860 B2	9/2002	Metzner et al.
6,333,275 B1	12/2001	Mayer et al.	6,454,909 B1	9/2002	Matsuse et al.
6,335,049 B1	1/2002	Basceri	6,455,098 B2	9/2002	Tran et al.
6,335,240 B1	1/2002	Kim et al.	6,455,225 B1	9/2002	Kong et al.
6,335,293 B1	1/2002	Luo et al.	6,455,445 B2	9/2002	Matsuki
6,342,427 B1	1/2002	Choi et al.	6,460,482 B1	10/2002	Kuibira et al.
6,343,239 B1	1/2002	Toda et al.	6,461,435 B1	10/2002	Littau et al.
6,344,084 B1	2/2002	Koinuma et al.	6,461,436 B1	10/2002	Campbell et al.
6,344,232 B1	2/2002	Jones et al.	6,461,439 B1	10/2002	Granneman et al.
6,346,419 B1	2/2002	Ryerson et al.	6,462,310 B1	10/2002	Ratliff et al.
6,347,636 B1	2/2002	Xia	6,462,310 B1	10/2002	Shinozaki
6,350,391 B1	2/2002	Livshits et al.	6,464,825 B1	10/2002	Lee
6,352,049 B1	3/2002	Yin et al.	6,468,924 B2	10/2002	Lee
6,352,945 B1	3/2002	Matsuki	6,471,779 B1	10/2002	Nishio et al.
6,357,984 B1	3/2002	Zinger et al.	6,472,266 B1	10/2002	Yu et al.
6,363,294 B1	3/2002	Coronel et al.	6,474,987 B1	11/2002	Huang et al.
D455,024 S	4/2002	Mimick et al.	6,475,276 B1	11/2002	Elers et al.
6,367,410 B1	4/2002	Leahey et al.	6,475,902 B1	11/2002	Hausmann et al.
6,368,773 B1	4/2002	Jung et al.	6,475,930 B1	11/2002	Junker et al.
6,368,987 B1	4/2002	Kopacz et al.	6,478,872 B1	11/2002	Chae et al.
6,370,796 B1	4/2002	Zucker	6,481,945 B1	11/2002	Hasper et al.
6,372,583 B1	4/2002	Tyagi	6,482,331 B2	11/2002	Lu et al.
6,374,831 B1	4/2002	Chandran	6,482,663 B1	11/2002	Buckland
6,375,312 B1	4/2002	Ikeda et al.	6,483,989 B1	11/2002	Okada et al.
6,375,749 B1	4/2002	Boydston et al.	6,488,774 B1	12/2002	Horie et al.
6,375,750 B1	4/2002	Van Os et al.	6,490,493 B1	12/2002	Dharnipragada
6,379,466 B1	4/2002	Sahin et al.	6,492,625 B1	12/2002	Boguslavskiy et al.
D457,609 S	5/2002	Piano	6,494,065 B2	12/2002	Babbitt
6,383,300 B1	5/2002	Saito et al.	6,494,998 B1	12/2002	Brcka
6,383,566 B1	5/2002	Zagdoun	6,496,819 B1	12/2002	Bello et al.
6,383,955 B1	5/2002	Matsuki	6,497,734 B1	12/2002	Barber et al.
6,387,207 B1	5/2002	Janakiraman	6,497,767 B1	12/2002	Okase et al.
6,387,823 B1	5/2002	Sonderman et al.	6,498,091 B1	12/2002	Chen et al.
6,387,827 B1	5/2002	Mertens et al.	6,499,533 B2	12/2002	Yamada
6,390,753 B1	5/2002	de Ridder et al.	6,500,487 B1	12/2002	Holst et al.
6,390,754 B2	5/2002	Yamaga et al.	6,502,530 B1	1/2003	Turlot et al.
6,391,803 B1	5/2002	Kim et al.	6,503,079 B2	1/2003	Kogano et al.
6,395,650 B1	5/2002	Callegari et al.	6,503,330 B1	1/2003	Sneh et al.
6,398,184 B1	6/2002	Sowada et al.	6,503,365 B1	1/2003	Kim et al.
6,399,022 B1	6/2002	Schuler et al.	6,503,562 B1	1/2003	Saito et al.
6,402,806 B1	6/2002	Schmitt et al.	6,503,826 B1	1/2003	Oda
6,410,433 B1	6/2002	Hautala et al.	6,506,009 B1	1/2003	Nulman et al.
6,410,459 B2	6/2002	Blalock et al.	6,506,253 B2	1/2003	Sakuma
6,410,463 B1	6/2002	Matsuki	6,507,410 B1	1/2003	Robertson et al.
6,413,321 B1	7/2002	Kim et al.	6,511,539 B1	1/2003	Raaijmakers
6,413,583 B1	7/2002	Moghadam et al.	6,514,313 B1	2/2003	Spiegelman
6,420,279 B1	7/2002	Ono et al.	6,514,666 B1	2/2003	Choi et al.
6,423,949 B1	7/2002	Chen et al.	6,521,295 B1	2/2003	Remington
D461,233 S	8/2002	Whalen	6,521,547 B1	2/2003	Chang et al.
D461,882 S	8/2002	Piano	6,527,884 B1	3/2003	Takakuwa et al.
6,428,859 B1	8/2002	Chiang et al.	6,528,171 B1	3/2003	Endler et al.
6,429,465 B1	8/2002	Yagi et al.	6,528,430 B2	3/2003	Kwan
6,432,206 B1	8/2002	Tolt	6,528,752 B1	3/2003	Ishii et al.
6,432,255 B1	8/2002	Sun et al.	6,528,767 B2	3/2003	Bagley et al.
6,432,479 B2	8/2002	Chang et al.	6,530,994 B1	3/2003	Mahawili
6,432,849 B1	8/2002	Endo et al.	6,531,193 B2	3/2003	Fonash et al.
6,433,298 B1	8/2002	Ishii	6,531,412 B2	3/2003	Conti et al.
6,435,798 B1	8/2002	Satoh	6,534,133 B1	3/2003	Kaloyeros et al.
6,435,865 B1	8/2002	Tseng et al.	6,534,395 B2	3/2003	Werkhoven et al.
6,436,819 B1	8/2002	Zhang	6,536,950 B1	3/2003	Green
6,437,444 B2	8/2002	Andideh	6,539,891 B1	4/2003	Kang et al.
6,438,502 B1	8/2002	Awtrey	6,540,469 B2	4/2003	Matsunaga et al.
6,439,822 B1	8/2002	Kimura et al.	6,540,838 B2	4/2003	Sneh et al.
6,440,261 B1	8/2002	Tepman et al.	6,544,906 B2	4/2003	Rotondaro et al.
6,441,350 B1	8/2002	Stoddard et al.	6,552,209 B1	4/2003	Lei et al.
			6,558,517 B2	5/2003	Basceri
			6,558,755 B2	5/2003	Berry et al.
			6,559,026 B1	5/2003	Rossmann et al.
			6,562,094 B2	5/2003	Denker et al.
			6,565,763 B1	5/2003	Asakawa et al.

(56)

References Cited

U.S. PATENT DOCUMENTS

6,566,278 B1	5/2003	Harvey et al.	6,699,399 B1	3/2004	Qian et al.
6,569,239 B2	5/2003	Arai et al.	6,700,089 B1	3/2004	Hirooka
6,569,971 B2	5/2003	Roh et al.	6,709,989 B2	3/2004	Ramdani et al.
6,573,030 B1	6/2003	Fairbairn et al.	6,710,364 B2	3/2004	Guldi et al.
6,574,644 B2	6/2003	Hsu et al.	6,710,857 B2	3/2004	Kondo
6,576,062 B2	6/2003	Matsuse	6,712,949 B2	3/2004	Gopal
6,576,064 B2	6/2003	Griffiths et al.	6,713,824 B1	3/2004	Mikata
6,576,300 B1	6/2003	Berry et al.	6,715,949 B1	4/2004	Fisher et al.
6,576,564 B2	6/2003	Agarwal	6,716,477 B1	4/2004	Komiyama et al.
6,578,589 B1	6/2003	Mayusumi	6,716,571 B2	4/2004	Gabriel
6,579,833 B1	6/2003	McNallan et al.	6,719,499 B1	4/2004	Kuznetsov et al.
6,580,050 B1	6/2003	Miller et al.	6,720,260 B1	4/2004	Fair et al.
6,582,174 B1	6/2003	Hayashi	6,720,262 B2	4/2004	Koh et al.
6,583,048 B1	6/2003	Vincent et al.	6,720,531 B1	4/2004	Jacobson et al.
6,583,572 B2	6/2003	Veltrap et al.	6,722,837 B2	4/2004	Inui
6,587,108 B1	7/2003	Guerlain et al.	6,723,642 B1	4/2004	Lim et al.
6,589,352 B1	7/2003	Yudovsky et al.	6,730,614 B1	5/2004	Lim et al.
6,589,707 B2	7/2003	Lee et al.	6,732,006 B2	5/2004	Haanstra et al.
6,589,868 B2	7/2003	Rossmann	6,734,090 B2	5/2004	Agarwala et al.
6,590,251 B2	7/2003	Kang et al.	6,734,631 B2	5/2004	Juestel et al.
6,594,550 B1	7/2003	Okrah	6,737,716 B1	5/2004	Matsuo et al.
6,596,398 B1	7/2003	Russo et al.	6,740,853 B1	5/2004	Johnson et al.
6,596,653 B2	7/2003	Tan	6,743,475 B2	6/2004	Skarp et al.
6,598,559 B1	7/2003	Vellore et al.	6,743,738 B2	6/2004	Todd et al.
6,602,806 B1	8/2003	Xia et al.	6,745,095 B1	6/2004	Ben-Dov
6,607,602 B1	8/2003	Granneman et al.	6,746,240 B2	6/2004	de Ridder et al.
6,607,868 B2	8/2003	Choi	6,746,308 B1	6/2004	Bode et al.
6,607,948 B1	8/2003	Sugiyama et al.	6,749,671 B2	6/2004	Holst et al.
6,608,745 B2	8/2003	Tsuruta et al.	6,753,507 B2	6/2004	Fure et al.
6,610,375 B2	8/2003	Akiba et al.	6,755,221 B2	6/2004	Jeong et al.
6,613,685 B1	9/2003	Granneman et al.	6,756,085 B2	6/2004	Waldfried
6,616,986 B2	9/2003	Sherman	6,756,293 B2	6/2004	Li et al.
6,617,253 B1	9/2003	Chu et al.	6,756,318 B2	6/2004	Nguyen et al.
6,620,251 B2	9/2003	Kitano	6,759,098 B2	7/2004	Han
6,623,799 B1	9/2003	Lee et al.	6,760,981 B2	7/2004	Leap
6,624,064 B1	9/2003	Sahin	6,766,545 B2	7/2004	Hodges
6,627,268 B1	9/2003	Fair et al.	6,767,447 B2	7/2004	Uno et al.
6,627,503 B2	9/2003	Ma et al.	D494,552 S	8/2004	Tezuka et al.
6,630,030 B1	10/2003	Suntola et al.	6,776,849 B2	8/2004	Aggarwal et al.
6,632,478 B2	10/2003	Gaillard et al.	6,780,704 B1	8/2004	Raaijmakers et al.
6,633,364 B2	10/2003	Hayashi	6,783,875 B2	8/2004	Yamada et al.
6,635,115 B1	10/2003	Fairbairn et al.	6,784,033 B1	8/2004	Yamazaki
6,635,117 B1	10/2003	Kinnard et al.	6,784,108 B1	8/2004	Donohoe et al.
6,635,578 B1	10/2003	Xu et al.	D496,008 S	9/2004	Takahashi et al.
6,638,839 B2	10/2003	Deng et al.	6,786,997 B1	9/2004	Yamazaki
6,640,145 B2	10/2003	Hoffberg et al.	D497,536 S	10/2004	Fujiwara
6,645,304 B2	11/2003	Yamaguchi	D497,977 S	11/2004	Engelbrektsson
6,648,974 B1	11/2003	Ogliari et al.	6,811,960 B2	11/2004	Lee et al.
6,649,921 B1	11/2003	Cekic et al.	6,812,157 B1	11/2004	Gadgil
6,652,924 B2	11/2003	Sherman	6,815,350 B2	11/2004	Kim et al.
6,656,281 B1	12/2003	Ueda	6,815,352 B1	11/2004	Tamura et al.
6,656,282 B2	12/2003	Kim et al.	6,818,566 B2	11/2004	Leeson et al.
6,658,933 B2	12/2003	Allegre et al.	6,818,864 B2	11/2004	Ptak
6,659,111 B1	12/2003	Mouri et al.	6,820,570 B2	11/2004	Kilpela et al.
6,660,662 B2	12/2003	Ishikawa et al.	6,821,889 B2	11/2004	Elers et al.
6,662,817 B2	12/2003	Yamagishi	6,821,910 B2	11/2004	Adomaitis et al.
6,663,332 B1	12/2003	Sluijk et al.	6,824,665 B2	11/2004	Shelnut et al.
6,673,196 B1	1/2004	Oyabu	6,825,106 B1	11/2004	Gao et al.
6,676,290 B1	1/2004	Lu	6,825,134 B2	11/2004	Law et al.
6,676,759 B1	1/2004	Takagi	D499,620 S	12/2004	Horner-Richardson et al.
6,679,194 B2	1/2004	Ham et al.	6,827,789 B2	12/2004	Lee et al.
6,682,971 B2	1/2004	Tsuneda et al.	6,828,235 B2	12/2004	Takano
6,682,973 B1	1/2004	Paton et al.	6,831,004 B2	12/2004	Byun
6,683,274 B1	1/2004	Kwon et al.	6,833,024 B2	12/2004	Holst et al.
D486,891 S	2/2004	Cronce	6,835,039 B2	12/2004	Van Den Berg
6,684,659 B1	2/2004	Tanaka et al.	6,838,122 B2	1/2005	Basceri et al.
6,684,719 B2	2/2004	Gehner et al.	6,841,201 B2	1/2005	Shanov et al.
6,686,281 B2	2/2004	Yamazaki et al.	6,843,202 B2	1/2005	Kusuda
6,688,784 B1	2/2004	Templeton	6,843,858 B2	1/2005	Rossmann
6,689,220 B1	2/2004	Nguyen	6,846,146 B2	1/2005	Inui
6,692,575 B1	2/2004	Omstead et al.	6,846,515 B2	1/2005	Vrtis
6,692,576 B2	2/2004	Halpin et al.	6,846,742 B2	1/2005	Rossmann
6,692,903 B2	2/2004	Chen et al.	6,847,014 B1	1/2005	Benjamin et al.
6,696,367 B1	2/2004	Aggarwal	6,849,241 B2	2/2005	Dauelsberg et al.
6,699,003 B2	3/2004	Saeki	6,849,857 B2	2/2005	Ichiki et al.
			6,854,580 B2	2/2005	Braford
			6,858,524 B2	2/2005	Haukka et al.
			6,858,547 B2	2/2005	Metzner
			6,861,642 B2	3/2005	Ichiki et al.

(56)

References Cited

U.S. PATENT DOCUMENTS

6,863,019 B2	3/2005	Shamouilian	7,018,941 B2	3/2006	Cui et al.
6,863,281 B2	3/2005	Endou et al.	7,021,330 B2	4/2006	Maula et al.
6,864,041 B2	3/2005	Brown	7,021,881 B2	4/2006	Yamagishi
6,867,086 B1	3/2005	Chen et al.	7,036,453 B2	5/2006	Ishikawa et al.
6,867,153 B2	3/2005	Tokunaga	7,041,609 B2	5/2006	Vaartstra
6,867,859 B1	3/2005	Powell	7,045,430 B2	5/2006	Ahn et al.
6,872,258 B2	3/2005	Park et al.	7,049,226 B2	5/2006	Chung et al.
6,872,259 B2	3/2005	Strang	7,049,247 B2	5/2006	Gates et al.
D504,142 S	4/2005	Horner-Richardson et al.	7,052,584 B2	5/2006	Basceri
6,874,247 B1	4/2005	Hsu	7,053,009 B2	5/2006	Conley, Jr. et al.
6,874,480 B1	4/2005	Ismailov	7,055,263 B2	6/2006	Wu et al.
6,875,477 B2	4/2005	Trickett et al.	7,055,875 B2	6/2006	Bonora
6,875,677 B1	4/2005	Conley, Jr. et al.	7,062,161 B2	6/2006	Kusuda et al.
6,876,017 B2	4/2005	Goodner	D524,600 S	7/2006	Austin et al.
6,876,191 B2	4/2005	de Ridder	D525,127 S *	7/2006	Cogley A47G 33/12 D9/456
6,878,206 B2	4/2005	Tzu et al.	7,070,178 B2	7/2006	Van Der Toorn et al.
6,878,402 B2	4/2005	Chiang et al.	7,071,051 B1	7/2006	Jeon et al.
6,883,733 B1	4/2005	Lind	7,073,834 B2	7/2006	Matsumoto et al.
6,884,066 B2	4/2005	Nguyen et al.	7,074,690 B1	7/2006	Gauri et al.
6,884,295 B2	4/2005	Ishii	7,077,614 B1	7/2006	Hasper et al.
6,884,319 B2	4/2005	Kim	7,080,545 B2	7/2006	Dimeo et al.
6,884,475 B2	4/2005	Basceri	7,084,060 B1	8/2006	Furukawa
D505,590 S	5/2005	Greiner	7,084,079 B2	8/2006	Conti et al.
6,889,211 B1	5/2005	Yoshiura et al.	7,085,623 B2	8/2006	Siegers
6,889,864 B2	5/2005	Lindfors et al.	7,086,347 B2	8/2006	Howald et al.
6,890,596 B2	5/2005	Sarigiannis et al.	7,088,003 B2	8/2006	Gates et al.
6,895,158 B2	5/2005	Alyward et al.	7,090,394 B2	8/2006	Hashikura et al.
6,899,507 B2	5/2005	Yamagishi et al.	7,092,287 B2	8/2006	Beulens et al.
6,902,395 B2	6/2005	Oosterlaken et al.	7,098,149 B2	8/2006	Lukas
6,902,647 B2	6/2005	Hasper	7,098,150 B2	8/2006	Misra et al.
6,909,839 B2	6/2005	Wang et al.	7,100,459 B2	9/2006	Gehner et al.
6,911,092 B2	6/2005	Sneh	7,101,763 B1	9/2006	Anderson et al.
6,913,152 B2	7/2005	Zuk	7,108,753 B2	9/2006	Wood
6,913,796 B2	7/2005	Albano et al.	7,109,098 B1	9/2006	Ramaswamy et al.
6,916,398 B2	7/2005	Chen et al.	7,109,114 B2	9/2006	Chen et al.
6,916,559 B2	7/2005	Murakawa et al.	7,111,232 B1	9/2006	Bascom
6,917,755 B2	7/2005	Nguyen et al.	7,115,305 B2	10/2006	Bronikowski et al.
6,924,078 B2	8/2005	Lee et al.	7,115,838 B2	10/2006	Kurara et al.
6,928,890 B2	8/2005	Gehner et al.	7,122,085 B2	10/2006	Shero et al.
6,929,699 B2	8/2005	Whitesell	7,122,222 B2	10/2006	Xiao et al.
6,929,700 B2	8/2005	Tan et al.	7,122,844 B2	10/2006	Nakamura et al.
6,930,041 B2	8/2005	Agarwal	7,129,165 B2	10/2006	Basol et al.
6,930,059 B2	8/2005	Conley, Jr. et al.	7,132,360 B2	11/2006	Schaeffer et al.
6,935,269 B2	8/2005	Lee et al.	7,135,421 B2	11/2006	Ahn et al.
6,939,579 B2	9/2005	Bondestam et al.	7,140,558 B2	11/2006	McCracken et al.
6,939,817 B2	9/2005	Sandhu et al.	7,141,499 B2	11/2006	Raaijmakers
6,942,753 B2	9/2005	Choi et al.	7,143,897 B1	12/2006	Guzman et al.
6,949,204 B1	9/2005	Lenz et al.	7,144,806 B1	12/2006	Fair et al.
6,951,587 B1	10/2005	Narushima	7,144,809 B2	12/2006	Elers et al.
6,952,656 B1	10/2005	Cordova et al.	7,147,766 B2	12/2006	Uzoh et al.
6,953,609 B2	10/2005	Carollo	7,153,542 B2	12/2006	Nguyen et al.
6,955,741 B2	10/2005	Yamagishi	D535,673 S	1/2007	Conway et al.
6,955,836 B2	10/2005	Kumagai et al.	7,156,380 B2	1/2007	Soininen
6,955,928 B1	10/2005	Brennan	7,163,393 B2	1/2007	Adachi et al.
6,963,052 B2	11/2005	Kuibira et al.	7,163,721 B2	1/2007	Zhang et al.
6,972,055 B2	12/2005	Sferlazzo	7,163,900 B2	1/2007	Weber
6,972,478 B1	12/2005	Waite et al.	7,168,852 B2	1/2007	Linnarsson
6,974,781 B2	12/2005	Timmermans et al.	7,172,497 B2	2/2007	Basol et al.
6,975,921 B2	12/2005	Verhaar	7,173,216 B2	2/2007	Ptak
6,976,822 B2	12/2005	Woodruff	7,183,229 B2	2/2007	Yamanaka
RE38,937 E	1/2006	Nakamura	7,186,648 B1	3/2007	Rozbicki
6,981,832 B2	1/2006	Zinger et al.	7,192,824 B2	3/2007	Ahn et al.
6,982,046 B2	1/2006	Srivastava et al.	7,192,892 B2	3/2007	Ahn et al.
6,982,103 B2	1/2006	Basceri et al.	7,195,479 B2	3/2007	Beatty et al.
6,984,591 B1	1/2006	Buchanan et al.	7,195,693 B2	3/2007	Cowans
6,984,595 B1	1/2006	Yamazaki	D541,125 S	4/2007	Gaudron
6,985,788 B2	1/2006	Haanstra et al.	7,198,447 B2	4/2007	Morimitsu et al.
6,986,914 B2	1/2006	Elers et al.	7,199,513 B2	4/2007	Huber et al.
6,987,155 B2	1/2006	Roh et al.	7,201,943 B2	4/2007	Park et al.
6,990,430 B2	1/2006	Hosek	7,202,148 B2	4/2007	Chen et al.
7,005,227 B2	2/2006	Yueh et al.	7,202,512 B2	4/2007	Chen et al.
7,005,391 B2	2/2006	Min	7,204,886 B2	4/2007	Chen et al.
7,008,879 B2	3/2006	Lee et al.	7,204,887 B2	4/2007	Kawamura et al.
7,010,580 B1	3/2006	Fu et al.	7,205,246 B2	4/2007	MacNeil et al.
7,017,514 B1	3/2006	Shepherd et al.	7,205,247 B2	4/2007	Lee et al.
			7,207,763 B2	4/2007	Lee
			7,208,198 B2	4/2007	Basceri et al.
			7,208,389 B1	4/2007	Tipton et al.

(56)

References Cited

U.S. PATENT DOCUMENTS

7,210,925 B2	5/2007	Adachi	7,410,666 B2	8/2008	Elers
7,211,524 B2	5/2007	Ryu et al.	7,411,352 B2	8/2008	Madocks
7,211,525 B1	5/2007	Shanker	7,414,281 B1	8/2008	Fastow
7,214,630 B1	5/2007	Varadarajan et al.	D576,001 S	9/2008	Brunderman
7,217,617 B2	5/2007	Basceri	7,422,635 B2	9/2008	Zheng et al.
7,223,014 B2	5/2007	Lojen	7,422,636 B2	9/2008	Ishizaka
7,208,413 B2	6/2007	Byun et al.	7,422,653 B2	9/2008	Blahnik et al.
7,229,502 B2	6/2007	Wang et al.	7,422,775 B2	9/2008	Ramaswamy et al.
7,234,476 B2	6/2007	Arai	7,425,224 B2	9/2008	Nguyen
7,235,137 B2	6/2007	Kitayama et al.	7,427,571 B2	9/2008	Lindeboom et al.
7,235,482 B2	6/2007	Wu	7,429,532 B2	9/2008	Ramaswamy et al.
7,235,501 B2	6/2007	Ahn et al.	7,431,966 B2	10/2008	Derderian et al.
7,238,596 B2	7/2007	Kouvetakis et al.	7,432,476 B2	10/2008	Morita et al.
7,238,616 B2	7/2007	Agarwal	7,437,060 B2	10/2008	Wang et al.
7,238,653 B2	7/2007	Lee et al.	7,442,275 B2	10/2008	Cowans
D549,815 S	8/2007	Murphy	7,456,429 B2	11/2008	Levy
7,256,375 B2	8/2007	Oosterlaken	D583,395 S	12/2008	Ueda
7,265,061 B1	9/2007	Cho et al.	7,467,632 B2	12/2008	Lee et al.
7,274,867 B2	9/2007	Peukert	7,473,655 B2	1/2009	Wang et al.
D553,104 S	10/2007	Oohashi et al.	7,475,588 B2	1/2009	Dimeo et al.
7,279,256 B2	10/2007	Son	7,476,291 B2	1/2009	Wang et al.
7,290,813 B2	11/2007	Bonora	7,479,198 B2	1/2009	Guffrey
7,294,581 B2	11/2007	Haverkort et al.	7,482,247 B1	1/2009	Papasouliotis
7,296,460 B2	11/2007	Dimeo et al.	7,482,283 B2	1/2009	Yamasaki et al.
7,297,641 B2	11/2007	Todd et al.	D585,968 S	2/2009	Elkins et al.
7,298,009 B2	11/2007	Yan et al.	7,489,389 B2	2/2009	Shibazaki et al.
7,301,623 B1	11/2007	Madsen et al.	7,494,882 B2	2/2009	Vitale
D556,704 S	12/2007	Nakamura et al.	7,497,614 B2	3/2009	Gaff
D557,226 S	12/2007	Uchino et al.	7,498,242 B2	3/2009	Kumar et al.
D558,021 S	12/2007	Lawrence	7,501,292 B2	3/2009	Matsushita et al.
7,307,028 B2	12/2007	Goto et al.	7,501,355 B2	3/2009	Bhatia et al.
7,307,178 B2	12/2007	Kiyomori et al.	7,503,980 B2	3/2009	Kida et al.
7,311,977 B2	12/2007	Yokota et al.	7,504,344 B2	3/2009	Matsuki et al.
7,312,148 B2	12/2007	Ramaswamy et al.	D590,933 S	4/2009	Vansell
7,312,162 B2	12/2007	Ramaswamy et al.	7,514,058 B1	4/2009	Hitzman et al.
7,312,494 B2	12/2007	Ahn et al.	7,514,375 B1	4/2009	Shanker et al.
D559,993 S	1/2008	Nagakubo et al.	D593,585 S	6/2009	Ota et al.
D559,994 S	1/2008	Nagakubo et al.	D593,969 S	6/2009	Li
D560,406 S *	1/2008	Privatt D6/708.23	7,541,297 B2	6/2009	Mallick et al.
7,320,544 B2	1/2008	Hsieh	7,544,398 B1	6/2009	Chang et al.
7,323,401 B2	1/2008	Ramaswamy et al.	7,547,363 B2	6/2009	Tomiyasu et al.
D562,357 S	2/2008	Hardy	7,547,633 B2	6/2009	Ranish et al.
7,326,656 B2	2/2008	Brask et al.	7,550,396 B2	6/2009	Frohberg et al.
7,326,657 B2	2/2008	Xia et al.	D596,476 S	7/2009	Welch
7,327,948 B1	2/2008	Shrinivasan	7,561,982 B2	7/2009	Rund et al.
7,329,947 B2	2/2008	Adachi et al.	7,563,715 B2	7/2009	Haukka et al.
7,335,611 B2	2/2008	Ramaswamy et al.	7,566,891 B2	7/2009	Rocha-Alvarez et al.
7,351,057 B2	4/2008	Berenbak et al.	7,569,193 B2	8/2009	Ferron et al.
7,354,482 B2	4/2008	Konishi et al.	7,575,968 B2	8/2009	Sadaka et al.
7,354,847 B2	4/2008	Chan et al.	7,579,285 B2	8/2009	Zimmerman et al.
7,354,873 B2	4/2008	Fukazawa et al.	7,579,785 B2	8/2009	Shinmen et al.
7,356,762 B2	4/2008	van Driel	D600,223 S	9/2009	Aggarwal
7,357,138 B2	4/2008	Ji et al.	7,582,555 B1	9/2009	Lang
7,361,447 B2	4/2008	Jung	7,582,575 B2	9/2009	Fukazawa et al.
7,375,035 B2	5/2008	Heden et al.	7,589,003 B2	9/2009	Kouvetakis et al.
7,376,520 B2	5/2008	Wong	7,589,028 B1	9/2009	Cho et al.
7,378,618 B1	5/2008	Sorabji et al.	7,589,029 B2	9/2009	Derderian et al.
7,379,785 B2	5/2008	Higashi et al.	7,591,601 B2	9/2009	Matsuoka et al.
D571,383 S	6/2008	Ota et al.	7,591,907 B2	9/2009	Chen et al.
D571,831 S	6/2008	Ota et al.	D602,575 S	10/2009	Breda
7,381,644 B1	6/2008	Soubramonium et al.	7,598,513 B2	10/2009	Kouvetakis et al.
7,387,685 B2	6/2008	Choi et al.	7,601,223 B2	10/2009	Lindfors et al.
7,393,207 B2	7/2008	Imai	7,601,225 B2	10/2009	Tuominen et al.
7,393,418 B2	7/2008	Yokogawa	7,601,652 B2	10/2009	Singh et al.
7,393,736 B2	7/2008	Ahn et al.	7,611,640 B1	11/2009	Howald et al.
7,393,765 B2	7/2008	Hanawa et al.	7,611,751 B2	11/2009	Elers
7,396,491 B2	7/2008	Marking et al.	7,611,980 B2	11/2009	Wells et al.
7,399,388 B2	7/2008	Moghadam et al.	7,618,226 B2	11/2009	Takizawa
7,399,570 B2	7/2008	Lee et al.	7,621,672 B2	11/2009	Ripley
7,402,534 B2	7/2008	Mahajani	7,622,369 B1	11/2009	Lee et al.
7,405,166 B2	7/2008	Liang et al.	7,622,378 B2	11/2009	Liu et al.
7,405,454 B2	7/2008	Ahn et al.	7,623,940 B2	11/2009	Huskamp et al.
D575,713 S	8/2008	Ratcliffe	D606,952 S	12/2009	Lee
7,408,225 B2	8/2008	Shinriki et al.	7,625,820 B1	12/2009	Papasouliotis
7,410,290 B2	8/2008	Tanaka	7,629,277 B2	12/2009	Ghatnagar
			7,632,549 B2	12/2009	Goundar
			7,638,951 B2	12/2009	DeVincentis et al.
			7,640,142 B2	12/2009	Tachikawa et al.
			7,645,341 B2	1/2010	Kennedy et al.

(56)

References Cited

U.S. PATENT DOCUMENTS

7,645,484 B2	1/2010	Ishizaka	7,825,040 B1	11/2010	Fukazawa et al.
7,648,895 B2	1/2010	Kurokawa et al.	7,829,460 B2	11/2010	Streck et al.
7,648,927 B2	1/2010	Singh et al.	7,833,348 B2	11/2010	Wada et al.
7,651,269 B2	1/2010	Comendant	7,833,353 B2	11/2010	Furukawahara et al.
7,651,583 B2	1/2010	Kent et al.	7,838,084 B2	11/2010	Derderian et al.
7,651,955 B2	1/2010	Ranish et al.	7,842,518 B2	11/2010	Miyajima
7,651,959 B2	1/2010	Fukazawa et al.	7,842,622 B1	11/2010	Lee et al.
7,651,961 B2	1/2010	Clark	D629,874 S	12/2010	Hermans
D609,652 S	2/2010	Nagasaka	7,850,449 B2	12/2010	Yang et al.
D609,655 S	2/2010	Sugimoto	7,851,019 B2	12/2010	Tuominen et al.
7,661,299 B2	2/2010	Kusunoki	7,851,232 B2	12/2010	van Schravendijk et al.
7,662,689 B2	2/2010	Boyanov et al.	7,858,519 B2	12/2010	Liu et al.
D612,477 S *	3/2010	Simpson A47G 33/12 D23/403	7,858,533 B2	12/2010	Liu et al.
7,670,432 B2	3/2010	Li	7,858,898 B2	12/2010	Bailey et al.
7,674,726 B2	3/2010	Hasper et al.	7,865,070 B2	1/2011	Nakamura
7,678,197 B2	3/2010	Maki	7,871,198 B2	1/2011	Rempe et al.
7,678,715 B2	3/2010	Mungekar et al.	7,874,726 B2	1/2011	Jacobs et al.
7,682,454 B2	3/2010	Sneh	7,884,918 B2	2/2011	Hattori
7,682,657 B2	3/2010	Sherman	7,888,233 B1	2/2011	Gauri
D613,829 S	4/2010	Griffin et al.	7,894,474 B1	2/2011	Bell
D614,153 S	4/2010	Fondurulia et al.	D633,452 S	3/2011	Namiki et al.
D614,258 S	4/2010	Kojima	D634,329 S	3/2011	Wastrom
D614,267 S	4/2010	Breda	D634,719 S	3/2011	Yasuda et al.
D614,268 S	4/2010	Breda	7,897,215 B1	3/2011	Fair et al.
D614,593 S	4/2010	Lee	7,897,217 B2	3/2011	Faguet
7,690,881 B2	4/2010	Yamagishi	7,902,009 B2	3/2011	Simonelli et al.
7,691,205 B2	4/2010	Ikedo	7,902,582 B2	3/2011	Forbes et al.
7,692,171 B2	4/2010	Kaszuba et al.	7,906,174 B1	3/2011	Wu et al.
7,695,808 B2	4/2010	Tuma	7,910,288 B2	3/2011	Abatchev et al.
D616,390 S	5/2010	Sato	7,910,452 B2	3/2011	Roh et al.
D616,394 S	5/2010	Sato	7,910,494 B2	3/2011	Dip et al.
7,712,435 B2	5/2010	Yoshizaki et al.	7,915,139 B1	3/2011	Lang
7,713,874 B2	5/2010	Milligan	7,915,667 B2	3/2011	Knoefler et al.
7,716,993 B2	5/2010	Ozawa et al.	7,919,142 B2	4/2011	Yeom et al.
7,718,930 B2	5/2010	Kawasaki et al.	7,919,416 B2	4/2011	Lee et al.
7,720,560 B2	5/2010	Menser et al.	7,923,382 B2	4/2011	Huotari et al.
7,723,648 B2	5/2010	Tsukamoto et al.	7,925,378 B2	4/2011	Gilchrist et al.
7,725,012 B2	5/2010	Aggarwal et al.	7,935,940 B1	5/2011	Smargiassi
7,727,864 B2	6/2010	Elers	7,939,447 B2	5/2011	Bauer et al.
7,727,880 B1	6/2010	Chattopadhyay et al.	7,942,969 B2	5/2011	Riker et al.
7,732,343 B2	6/2010	Niroomand et al.	7,946,762 B2	5/2011	Yednak
7,736,437 B2	6/2010	Cadwell et al.	7,951,262 B2	5/2011	Koshiishi et al.
7,736,528 B2	6/2010	Okita et al.	7,955,516 B2	6/2011	Chandrachood et al.
7,736,600 B2	6/2010	Clark et al.	7,955,646 B2	6/2011	Cruse et al.
7,737,035 B1	6/2010	Lind et al.	7,955,650 B2	6/2011	Tsuji
7,740,437 B2	6/2010	de Ridder et al.	7,957,708 B2	6/2011	Karschnia et al.
7,740,705 B2	6/2010	Li	7,963,736 B2	6/2011	Takizawa et al.
7,745,346 B2	6/2010	Hausmann et al.	7,967,913 B2	6/2011	Hua et al.
7,748,760 B2	7/2010	Kushida	7,972,980 B2	7/2011	Lee et al.
7,749,563 B2	7/2010	Zheng et al.	7,977,256 B2	7/2011	Liu et al.
7,753,584 B2	7/2010	Gambino et al.	7,981,751 B2	7/2011	Zhu et al.
7,754,621 B2	7/2010	Putjkonen	D643,055 S	8/2011	Takahashi
7,758,698 B2	7/2010	Bang et al.	7,989,365 B2	8/2011	Park et al.
7,763,869 B2	7/2010	Matsushita et al.	7,989,736 B2	8/2011	Park et al.
7,767,262 B2	8/2010	Clark	7,992,318 B2	8/2011	Kawaji
7,771,796 B2	8/2010	Kohno et al.	7,993,457 B1	8/2011	Krotov et al.
7,780,440 B2	8/2010	Shibagaki et al.	7,994,070 B1	8/2011	Dip et al.
7,780,789 B2	8/2010	Wu et al.	7,994,721 B2	8/2011	Espiau et al.
7,781,352 B2	8/2010	Fukazawa et al.	7,997,795 B2	8/2011	Schwagerman et al.
7,789,559 B2	9/2010	Waser et al.	7,998,875 B2	8/2011	DeYoung
7,789,965 B2	9/2010	Matsushita et al.	8,003,174 B2	8/2011	Fukazawa
7,790,633 B1	9/2010	Tarafdar et al.	8,003,919 B2	8/2011	Goto et al.
7,794,546 B2	9/2010	Li	8,004,198 B2	8/2011	Bakre et al.
7,798,096 B2	9/2010	Mahajani et al.	8,020,315 B2	9/2011	Nishimura
7,799,300 B2	9/2010	Lindfors et al.	8,030,129 B2	10/2011	Jeong
7,799,706 B2	9/2010	Yeom et al.	8,033,771 B1	10/2011	Gage et al.
7,803,722 B2	9/2010	Liang	8,038,835 B2	10/2011	Hayashi et al.
D625,977 S	10/2010	Watson et al.	8,041,197 B2	10/2011	Kasai et al.
7,795,160 B2	10/2010	Wang et al.	8,041,450 B2	10/2011	Takizawa et al.
7,806,587 B2	10/2010	Kobayashi	8,043,972 B1	10/2011	Liu et al.
7,807,566 B2	10/2010	Tsuji et al.	8,046,193 B2	10/2011	Yetter et al.
7,807,578 B2	10/2010	Bencher et al.	8,047,711 B2	11/2011	Ploechinger
7,816,278 B2	10/2010	Reed et al.	8,048,783 B2	11/2011	Chung et al.
7,824,492 B2	11/2010	Tois et al.	8,051,799 B2	11/2011	Itagaki et al.
			8,052,794 B2	11/2011	Sumakeris et al.
			8,055,378 B2	11/2011	Numakura
			8,060,252 B2	11/2011	Gage et al.
			8,083,853 B2	11/2011	Choi et al.
			RE43,023 E	12/2011	Nakashima et al.

(56)

References Cited

U.S. PATENT DOCUMENTS

D649,986 S	12/2011	Fujikata et al.	8,298,336 B2	10/2012	Wang et al.
D651,291 S	12/2011	Liebson et al.	8,298,951 B1	10/2012	Nakano
8,071,451 B2	12/2011	Berry	8,307,472 B1	11/2012	Saxon et al.
8,071,452 B2	12/2011	Raisanen	8,309,173 B2	11/2012	Tuominen et al.
8,072,578 B2	12/2011	Yasuda et al.	8,318,327 B2	11/2012	O'Donnell
8,076,230 B2	12/2011	Wei	8,318,584 B2	11/2012	Li et al.
8,076,237 B2	12/2011	Uzoh	8,323,413 B2	12/2012	Son
8,076,250 B1	12/2011	Rajagopalan	8,324,699 B2	12/2012	Ichijo et al.
8,076,251 B2	12/2011	Akae et al.	8,328,939 B2	12/2012	Choi et al.
8,078,310 B2	12/2011	Nishimoto et al.	8,329,599 B2	12/2012	Fukazawa et al.
8,082,946 B2	12/2011	Laverdiere et al.	8,333,839 B2	12/2012	Oh
8,084,104 B2	12/2011	Shinriki et al.	8,334,219 B2	12/2012	Lee et al.
8,084,372 B2	12/2011	You et al.	8,338,809 B2	12/2012	Yang et al.
D652,896 S	1/2012	Gether	8,349,083 B2	1/2013	Takasuka et al.
8,092,604 B2	1/2012	Tomiyasu et al.	D676,943 S	2/2013	Kluss
8,092,606 B2	1/2012	Park et al.	8,367,528 B2	2/2013	Bauer et al.
8,100,583 B2	1/2012	Aggarwal	8,372,204 B2	2/2013	Nakamura
D653,734 S	2/2012	Sisk	8,378,464 B2	2/2013	Kato et al.
D654,882 S	2/2012	Honma et al.	8,382,370 B2	2/2013	Aggarwal et al.
D654,884 S	2/2012	Honma	8,382,939 B2	2/2013	Kutney et al.
D655,055 S	2/2012	Toll	8,393,091 B2	3/2013	Kawamoto
8,110,099 B2	2/2012	Hersey et al.	8,394,466 B2	3/2013	Hong et al.
8,114,734 B2	2/2012	Yang et al.	8,398,773 B2	3/2013	Jdira et al.
8,119,466 B2	2/2012	Avouris	8,402,918 B2	3/2013	Kadkhodayan et al.
8,119,527 B1	2/2012	Chadrashekar et al.	8,404,044 B2	3/2013	Arai
D655,260 S	3/2012	Honma et al.	8,404,499 B2	3/2013	Moffatt
D655,261 S	3/2012	Honma et al.	8,415,258 B2	4/2013	Akae
D655,599 S	3/2012	Durham	8,415,259 B2	4/2013	Lee et al.
8,128,333 B2	3/2012	Aburatani	8,415,587 B2	4/2013	Millman et al.
8,129,290 B2	3/2012	Balseanu et al.	8,419,959 B2	4/2013	Bettencourt et al.
8,137,462 B2	3/2012	Fondurulia et al.	8,425,682 B2	4/2013	Wang et al.
8,137,465 B1	3/2012	Shrinivasan et al.	8,430,620 B1	4/2013	Blank et al.
8,138,104 B2	3/2012	Balseanu et al.	8,435,894 B2	5/2013	Chandrashekar et al.
8,138,676 B2	3/2012	Mills	8,440,259 B2	5/2013	Chiang et al.
8,142,862 B2	3/2012	Lee et al.	8,443,484 B2	5/2013	Ozaki et al.
8,143,174 B2	3/2012	Xia et al.	8,444,120 B2	5/2013	Gregg et al.
8,147,242 B2	4/2012	Shibagaki et al.	8,445,075 B2	5/2013	Xu et al.
8,152,922 B2	4/2012	Schmidt et al.	8,450,191 B2	5/2013	Wang
8,158,512 B2	4/2012	Ji et al.	8,454,749 B2	6/2013	Li
8,172,947 B2	5/2012	Shibata et al.	8,465,811 B2	6/2013	Ueda
8,173,554 B2	5/2012	Lee et al.	8,465,903 B2	6/2013	Weidman et al.
8,174,400 B2	5/2012	Park et al.	8,466,411 B2	6/2013	Arai
8,178,436 B2	5/2012	King et al.	8,470,187 B2	6/2013	Ha
8,187,679 B2	5/2012	Dickey et al.	8,470,718 B2	6/2013	Lee
8,187,951 B1	5/2012	Wang	8,484,846 B2	7/2013	Dhindsa
8,192,901 B2	6/2012	Kageyama	8,492,170 B2	7/2013	Xie et al.
8,196,234 B2	6/2012	Glunk	8,496,377 B2	7/2013	Harr et al.
8,197,915 B2	6/2012	Oka et al.	8,496,756 B2	7/2013	Cruse et al.
8,198,168 B2	6/2012	Tanioku	8,497,213 B2	7/2013	Yasui et al.
8,202,575 B2	6/2012	Monsma et al.	8,501,599 B2	8/2013	Ueno et al.
8,206,506 B2	6/2012	Kadkhodayan et al.	8,506,162 B2	8/2013	Schick et al.
8,216,380 B2	7/2012	White et al.	8,506,713 B2	8/2013	Takagi
8,227,032 B2	7/2012	Dussarrat et al.	8,507,720 B2	8/2013	Shay
8,231,799 B2	7/2012	Bera et al.	8,524,612 B2	9/2013	Li et al.
D665,055 S	8/2012	Yanagisawa et al.	8,529,701 B2	9/2013	Morita
8,241,991 B2	8/2012	Hsieh et al.	8,535,767 B1	9/2013	Kimura
8,241,992 B2	8/2012	Clevenger et al.	8,536,068 B2	9/2013	Weidman et al.
8,242,028 B1	8/2012	van Schravendijk	D691,974 S	10/2013	Osada et al.
8,242,031 B2	8/2012	Mallick et al.	8,551,892 B2	10/2013	Nakano
8,246,900 B2	8/2012	Kasai et al.	8,557,712 B1	10/2013	Antonelli et al.
8,252,114 B2	8/2012	Vukovic	8,562,272 B2	10/2013	Lenz
8,252,659 B2	8/2012	Huyghabaert et al.	8,563,443 B2	10/2013	Fukazawa
8,252,691 B2	8/2012	Beynet et al.	8,569,184 B2	10/2013	Oka
8,253,204 B2	8/2012	Lee et al.	D693,200 S	11/2013	Saunders
8,267,633 B2	9/2012	Obikane	D693,782 S	11/2013	Mori et al.
8,272,516 B2	9/2012	Salvador	8,573,152 B2	11/2013	de la Llera et al.
8,278,176 B2	10/2012	Bauer et al.	8,573,154 B2	11/2013	Yorozuya
8,278,224 B1	10/2012	Mui et al.	8,586,484 B2	11/2013	Matsuyama et al.
8,282,769 B2	10/2012	Iizuka	8,591,659 B1	11/2013	Fang et al.
8,282,847 B2	10/2012	Romano	8,592,005 B2	11/2013	Ueda
8,282,992 B2	10/2012	Myo et al.	D694,790 S	12/2013	Matsumoto et al.
8,287,648 B2	10/2012	Reed et al.	D695,240 S	12/2013	Iida et al.
8,291,857 B2	10/2012	Lam et al.	8,608,885 B2	12/2013	Goto et al.
8,293,016 B2	10/2012	Bahng et al.	8,614,047 B2	12/2013	Ayothi et al.
8,293,642 B2	10/2012	Kim	8,616,765 B2	12/2013	Darabnia et al.
			8,617,411 B2	12/2013	Singh
			D697,038 S	1/2014	Matsumoto et al.
			8,623,770 B1	1/2014	Gao et al.
			8,633,115 B2	1/2014	Chang et al.

(56)

References Cited

U.S. PATENT DOCUMENTS

8,637,384 B2	1/2014	Ando et al.	8,911,553 B2	12/2014	Baluja et al.
D698,904 S	2/2014	Milligan et al.	8,911,826 B2	12/2014	Adachi et al.
8,642,488 B2	2/2014	Liu et al.	8,912,101 B2	12/2014	Tsuji et al.
8,647,439 B2	2/2014	Sanchez et al.	D720,838 S	1/2015	Yamagishi et al.
8,647,722 B2	2/2014	Kobayashi et al.	8,927,906 B2	1/2015	Tadokoro et al.
8,647,993 B2	2/2014	Lavoie et al.	8,932,802 B2	1/2015	Wu et al.
8,651,788 B1	2/2014	Budde	8,933,375 B2	1/2015	Dunn et al.
8,664,627 B1	3/2014	Ishikawa et al.	8,937,800 B2	1/2015	Lubomirsky et al.
8,667,654 B2	3/2014	Gros-Jean	8,940,646 B1	1/2015	Chandrasekharan
8,668,957 B2	3/2014	Dussarrat et al.	D723,153 S	2/2015	Borkholder
8,669,185 B2	3/2014	Onizawa	8,945,305 B2	2/2015	Marsh
8,679,958 B2	3/2014	Takamure et al.	8,945,306 B2	2/2015	Tsuda
D702,188 S	4/2014	Jacobs	8,945,339 B2	2/2015	Kakimoto
8,683,943 B2	4/2014	Onodera et al.	8,946,830 B2	2/2015	Jung et al.
8,697,198 B2	4/2014	Lee	8,956,971 B2	2/2015	Huakka
8,703,002 B2	4/2014	Matsudo et al.	8,956,983 B2	2/2015	Swaminathan
8,709,162 B2	4/2014	Leung et al.	D723,330 S	3/2015	York
8,710,580 B2	4/2014	Sakuma et al.	D724,553 S	3/2015	Choi
8,711,338 B2	4/2014	Liu et al.	D724,701 S	3/2015	Yamagishi et al.
D705,745 S	5/2014	Kurs et al.	D725,168 S	3/2015	Yamagishi
D705,762 S	5/2014	Yu	8,967,608 B2	3/2015	Mitsumori et al.
8,664,127 B2	5/2014	Bhatia et al.	8,968,989 B2	3/2015	Ouattara et al.
8,720,965 B2	5/2014	Hino et al.	8,969,934 B1	3/2015	Cheng et al.
8,721,791 B2	5/2014	Choi et al.	8,974,868 B2	3/2015	Ishikawa et al.
8,722,510 B2	5/2014	Watanabe et al.	8,980,006 B2	3/2015	Huh et al.
8,722,546 B2	5/2014	Fukazawa et al.	8,986,456 B2	3/2015	Fondurulia et al.
8,726,837 B2	5/2014	Patalay et al.	8,991,214 B2	3/2015	Hoshino et al.
8,728,832 B2	5/2014	Raisanen et al.	8,991,887 B2	3/2015	Shin et al.
8,728,956 B2	5/2014	Lavoie et al.	8,993,054 B2	3/2015	Jung et al.
8,741,062 B2	6/2014	Lindfors et al.	8,993,072 B2	3/2015	Xiao et al.
8,741,065 B2	6/2014	Odagiri et al.	8,993,457 B1	3/2015	Ramkumar et al.
8,742,668 B2	6/2014	Nakano et al.	D726,365 S	4/2015	Weigensberg
8,758,512 B2	6/2014	Lee	D726,884 S	4/2015	Yamagishi et al.
8,759,223 B2	6/2014	Sapre et al.	8,999,102 B2	4/2015	Miyoshi et al.
D709,536 S	7/2014	Yoshimura et al.	9,004,744 B1	4/2015	Kemp
D709,537 S	7/2014	Kuwabara et al.	9,005,539 B2	4/2015	Halpin et al.
8,764,085 B2	7/2014	Urabe	9,017,481 B1	4/2015	Pettinger et al.
8,771,791 B2	7/2014	Lee et al.	9,017,933 B2	4/2015	Liu et al.
8,771,807 B2	7/2014	Xiao et al.	9,018,093 B2	4/2015	Tsuji et al.
8,779,502 B2	7/2014	Sakuma et al.	9,018,111 B2	4/2015	Milligan et al.
8,784,676 B2	7/2014	Guha et al.	9,018,567 B2	4/2015	de Ridder et al.
8,784,950 B2	7/2014	Fukazawa et al.	9,021,985 B2	5/2015	Alokozai et al.
8,784,951 B2	7/2014	Fukazawa et al.	9,023,737 B2	5/2015	Beynet et al.
8,785,215 B2	7/2014	Kobayashi et al.	9,023,738 B2	5/2015	Kato et al.
8,785,311 B2	7/2014	Miyoshi	9,029,244 B2	5/2015	Won et al.
8,790,743 B1	7/2014	Omari	9,029,253 B2	5/2015	Milligan et al.
8,790,749 B2	7/2014	Omori et al.	9,029,272 B1	5/2015	Nakano
8,802,201 B2	8/2014	Raisanen et al.	D732,145 S	6/2015	Yamagishi
8,809,170 B2	8/2014	Bauer	D732,644 S	6/2015	Yamagishi et al.
D712,358 S	9/2014	Allen et al.	D733,257 S	6/2015	Schoenherr et al.
D712,359 S	9/2014	Allen et al.	D733,261 S	6/2015	Yamagishi et al.
8,820,809 B2	9/2014	Ando et al.	D733,262 S	6/2015	Kang
8,821,640 B2	9/2014	Cleary et al.	9,057,388 B2	6/2015	Comeau et al.
8,821,985 B2	9/2014	Shao et al.	9,064,815 B2	6/2015	Zhang et al.
8,823,672 B2	9/2014	Kim	D733,843 S	7/2015	Yamagishi
8,828,886 B2	9/2014	Samukawa et al.	D734,377 S	7/2015	Hirakida
8,841,182 B1	9/2014	Chen et al.	9,076,635 B2	7/2015	Gross et al.
8,845,806 B2	9/2014	Aida et al.	9,076,726 B2	7/2015	Kauerauf et al.
8,846,502 B2	9/2014	Haukka et al.	D735,836 S	8/2015	Yamagishi et al.
D715,410 S	10/2014	Lohmann	D736,348 S	8/2015	Tan
8,859,368 B2	10/2014	Deniz	9,095,869 B2	8/2015	Kilpi et al.
8,860,955 B2	10/2014	Rodnick et al.	9,096,931 B2	8/2015	Yednak et al.
8,864,202 B1	10/2014	Schrameyer	9,099,423 B2	8/2015	Weeks et al.
8,864,375 B2	10/2014	Abe et al.	9,099,505 B2	8/2015	Kusakabe et al.
D716,742 S	11/2014	Jang et al.	9,111,972 B2	8/2015	Takeshita et al.
8,876,974 B2	11/2014	Wan	9,117,657 B2	8/2015	Nakano et al.
8,877,300 B2	11/2014	Lee	9,117,866 B2	8/2015	Marquardt et al.
8,877,655 B2	11/2014	Shero et al.	D739,222 S	9/2015	Chadbourne
8,882,923 B2	11/2014	Saido et al.	9,123,510 B2	9/2015	Nakano et al.
8,883,270 B2	11/2014	Shero et al.	9,123,577 B2	9/2015	Fujimoto et al.
8,895,108 B2	11/2014	Lee	9,127,358 B2	9/2015	Inoue et al.
8,895,395 B1	11/2014	Kerber et al.	9,127,362 B2	9/2015	Scheible et al.
8,900,935 B2	12/2014	Guo et al.	9,129,897 B2	9/2015	Pore et al.
8,900,999 B1	12/2014	Wu et al.	9,136,108 B2	9/2015	Matsushita et al.
8,901,016 B2	12/2014	Jeongseok et al.	9,136,180 B2	9/2015	Machkaoutsan
			9,142,393 B2	9/2015	Okabe et al.
			9,142,437 B2	9/2015	Fosnight et al.
			9,142,764 B1	9/2015	Wang
			9,153,441 B2	10/2015	Takamure et al.

(56)

References Cited

U.S. PATENT DOCUMENTS

9,161,647 B2 *	10/2015	Leung	A47G 33/12	9,378,969 B2	6/2016	Hsu et al.
9,163,310 B2	10/2015	Lee		D761,325 S	7/2016	Abed
9,166,012 B2	10/2015	Sim et al.		9,384,987 B2	7/2016	Jung et al.
9,169,975 B2	10/2015	Sarin et al.		9,390,909 B2	7/2016	Pasquale et al.
9,171,714 B2	10/2015	Mori		9,394,608 B2	7/2016	Shero et al.
9,171,715 B2	10/2015	Matero		9,396,934 B2	7/2016	Tolle
9,171,716 B2	10/2015	Fukuda		9,396,956 B1	7/2016	Fukazawa
D742,202 S	11/2015	Cyphers et al.		9,399,228 B2	7/2016	Breiling et al.
D743,357 S	11/2015	Vyne		D764,196 S	8/2016	Handler et al.
D743,513 S	11/2015	Yamagishi		9,404,587 B2	8/2016	Shugrue
9,174,178 B2	11/2015	Berger et al.		9,412,564 B2	8/2016	Milligan
9,175,394 B2	11/2015	Yudovsky et al.		9,412,581 B2	8/2016	Thadani et al.
9,177,784 B2	11/2015	Raisanen et al.		9,412,582 B2	8/2016	Sasaki et al.
9,184,047 B2	11/2015	Liu et al.		9,418,885 B2	8/2016	Sung et al.
9,184,054 B1	11/2015	Huang et al.		9,425,078 B2	8/2016	Tang et al.
9,190,263 B2	11/2015	Ishikawa et al.		9,428,833 B1	8/2016	Duvall et al.
9,190,264 B2	11/2015	Yuasa et al.		9,443,725 B2	9/2016	Liu et al.
9,196,483 B1	11/2015	Lee et al.		9,447,498 B2	9/2016	Shiba et al.
D745,641 S	12/2015	Blum		9,449,793 B2	9/2016	Shaji et al.
9,202,727 B2	12/2015	Dunn et al.		9,449,795 B2	9/2016	Sabri et al.
9,214,333 B1	12/2015	Sims et al.		9,449,843 B1	9/2016	Korolik et al.
9,214,340 B2	12/2015	Kurita et al.		9,449,987 B1	9/2016	Miyata et al.
9,219,006 B2	12/2015	Chatterjee		9,455,138 B1	9/2016	Fukazawa
9,223,203 B2	12/2015	Farm et al.		9,455,177 B1	9/2016	Park et al.
9,228,259 B2	1/2016	Haukka et al.		9,460,954 B2	10/2016	De Jong et al.
9,240,412 B2	1/2016	Xie et al.		9,464,352 B2	10/2016	Nakano et al.
9,245,742 B2	1/2016	Haukka		9,472,410 B2	10/2016	Sadjadi et al.
9,252,024 B2	2/2016	Lam et al.		9,472,432 B1	10/2016	Blank
9,252,238 B1	2/2016	Trevino et al.		9,474,163 B2	10/2016	Tolle et al.
9,257,274 B2	2/2016	Kang et al.		9,478,414 B2	10/2016	Kobayashi et al.
9,263,298 B2	2/2016	Matsumoto et al.		9,478,415 B2	10/2016	Kimura
9,267,204 B2	2/2016	Honma		D770,993 S	11/2016	Yoshida et al.
9,267,850 B2	2/2016	Aggarwal		9,484,191 B2	11/2016	Winkler
D751,176 S	3/2016	Schoenherr et al.		9,496,225 B1	11/2016	Adusumilli et al.
9,275,834 B1	3/2016	Park et al.		9,514,927 B2	12/2016	Tolle et al.
9,281,223 B2	3/2016	Hara		9,514,932 B2	12/2016	Mallick et al.
9,281,277 B2	3/2016	Baek et al.		9,520,289 B2	12/2016	Park et al.
9,284,642 B2	3/2016	Nakano		9,523,148 B1	12/2016	Pore et al.
9,287,273 B2	3/2016	Ragnarsson et al.		D777,546 S	1/2017	Ishii et al.
9,297,705 B2	3/2016	Aggarwal		9,543,180 B2	1/2017	Kamiya
9,299,557 B2	3/2016	Tolle et al.		9,556,516 B2	1/2017	Takamure
9,299,595 B2	3/2016	Dunn et al.		9,558,931 B2	1/2017	Tang
D753,269 S	4/2016	Yamagishi et al.		9,564,312 B2	2/2017	Henri et al.
D753,629 S	4/2016	Plattard		9,564,314 B2	2/2017	Takamure et al.
9,305,836 B1	4/2016	Gates et al.		9,570,302 B1	2/2017	Chang et al.
9,309,598 B2	4/2016	Wang et al.		9,574,268 B1	2/2017	Dunn et al.
9,309,978 B2	4/2016	Hatch et al.		9,576,952 B2	2/2017	Joshi et al.
9,310,684 B2	4/2016	Meyers et al.		9,583,333 B2	2/2017	Chatterjee
9,312,155 B2	4/2016	Mori		9,583,345 B2	2/2017	Chen et al.
9,315,897 B2	4/2016	Byun		D782,419 S	3/2017	Willette
9,324,811 B2	4/2016	Weeks		9,589,770 B2	3/2017	Winkler
9,324,846 B1	4/2016	Camillo		9,605,342 B2	3/2017	Alokozai et al.
D756,929 S	5/2016	Harck et al.		9,605,343 B2	3/2017	Winkler
9,331,200 B1	5/2016	Wang et al.		9,605,736 B1	3/2017	Foshage et al.
9,337,031 B2	5/2016	Kim et al.		9,607,837 B1	3/2017	Namba
9,337,054 B2	5/2016	Hunks et al.		D783,351 S	4/2017	Fujino et al.
9,337,057 B2	5/2016	Park et al.		D784,276 S	4/2017	Tiner et al.
9,341,296 B2	5/2016	Yednak		9,613,801 B2	4/2017	Carcasi et al.
9,343,297 B1	5/2016	Fukazawa et al.		9,618,846 B2	4/2017	Shamma et al.
9,343,308 B2	5/2016	Isii		9,627,221 B1	4/2017	Zaitso et al.
9,343,343 B2	5/2016	Mori		D785,766 S	5/2017	Sato
9,343,350 B2	5/2016	Arai		D787,458 S	5/2017	Kim et al.
9,349,620 B2	5/2016	Kamata et al.		9,640,416 B2	5/2017	Arai
9,353,440 B2	5/2016	Ge et al.		9,640,448 B2	5/2017	Ikegawa et al.
9,353,441 B2	5/2016	Chung		9,640,542 B2	5/2017	Lee et al.
9,355,876 B2	5/2016	Reuter et al.		9,644,266 B2	5/2017	Nasu et al.
9,355,882 B2	5/2016	Wu et al.		9,647,114 B2	5/2017	Margetis
D759,137 S	6/2016	Hassan		9,653,267 B2	5/2017	Carducci et al.
D759,193 S	6/2016	Gutierrez et al.		9,657,845 B2	5/2017	Shugrue
9,362,107 B2	6/2016	Thadani et al.		9,659,799 B2	5/2017	Lawson
9,362,137 B2	6/2016	Kang et al.		9,663,857 B2	5/2017	Nakano et al.
9,362,180 B2	6/2016	Lee et al.		9,666,528 B1	5/2017	Bergendahl et al.
9,365,924 B2	6/2016	Nonaka		D789,888 S	6/2017	Jang et al.
9,368,352 B2	6/2016	Takamure et al.		D790,041 S	6/2017	Jang et al.
9,370,863 B2	6/2016	Tsuji et al.		9,680,268 B1	6/2017	Finona
				9,684,234 B2	6/2017	Darling et al.
				9,685,320 B2	6/2017	Kang et al.
				9,691,668 B2	6/2017	Chang et al.
				9,691,771 B2	6/2017	Lansalot-Matras

(56)

References Cited

U.S. PATENT DOCUMENTS

9,698,031 B2	7/2017	Kobayashi et al.	9,905,492 B2	2/2018	Tang et al.
9,708,707 B2	7/2017	Ditizio et al.	9,909,214 B2	3/2018	Suemori
9,708,708 B2	7/2017	Isobe et al.	9,909,492 B2	3/2018	Jeswine
9,711,345 B2	7/2017	Shiba et al.	9,911,595 B1	3/2018	Smith et al.
D793,352 S	8/2017	Hill	9,911,676 B2	3/2018	Tang
D793,526 S	8/2017	Behdjat	9,916,980 B1	3/2018	Knaepen
D793,572 S	8/2017	Kozuka et al.	9,920,451 B2	3/2018	Sivaramakrishnan et al.
D793,976 S	8/2017	Fukushima et al.	9,922,824 B2	3/2018	Okada
D794,753 S	8/2017	Miller	9,929,005 B1	3/2018	Shimamoto et al.
D795,208 S	8/2017	Sasaki et al.	9,929,011 B2	3/2018	Hawryluk et al.
9,735,024 B2	8/2017	Zaitso	9,929,055 B2	3/2018	Dube et al.
9,741,546 B2	8/2017	Carducci et al.	9,951,421 B2	4/2018	Lind
9,741,559 B2	8/2017	Shimura et al.	D818,573 S *	5/2018	Williams D23/403
9,745,658 B2	8/2017	Kang et al.	9,960,033 B1	5/2018	Nozawa
9,748,104 B2	8/2017	Sasaki et al.	9,960,072 B2	5/2018	Coomer
9,748,145 B1	8/2017	Kannan et al.	9,966,299 B2	5/2018	Tang et al.
D796,458 S	9/2017	Jang et al.	9,970,112 B2	5/2018	Koshi et al.
D796,670 S	9/2017	Dolk et al.	9,984,869 B1	5/2018	Blanquart
D797,067 S	9/2017	Zhang et al.	D819,580 S	6/2018	Krishnan et al.
D798,248 S	9/2017	Hanson et al.	9,987,747 B2	6/2018	Hwang et al.
9,754,779 B1	9/2017	Ishikawa	9,991,138 B2	6/2018	Lin et al.
9,754,818 B2	9/2017	Shiu et al.	9,996,004 B2	6/2018	Smith et al.
9,759,489 B2	9/2017	Kaneko	9,997,357 B2	6/2018	Arghavani et al.
9,765,432 B2	9/2017	Ge et al.	9,997,373 B2	6/2018	Hudson
9,773,818 B2	9/2017	Kimura	10,032,628 B2	6/2018	Xie et al.
D800,782 S	10/2017	Bever et al.	10,014,212 B2	7/2018	Chen et al.
9,778,561 B2	10/2017	Marks et al.	10,017,856 B1	7/2018	Arnepalli et al.
9,780,225 B2	10/2017	Venkatasubramanian et al.	10,018,920 B2	7/2018	Chang et al.
9,786,491 B2	10/2017	Suzuki et al.	10,023,960 B2	7/2018	Alokozai
9,786,570 B2	10/2017	Kang et al.	10,032,792 B2	7/2018	Kim et al.
9,790,595 B2	10/2017	Jung et al.	D825,505 S	8/2018	Hanson et al.
9,793,115 B2	10/2017	Tolle	D825,614 S	8/2018	Bever et al.
9,793,135 B1	10/2017	Zaitso et al.	10,043,661 B2	8/2018	Kato et al.
9,793,148 B2	10/2017	Yamagishi et al.	10,047,435 B2	8/2018	Haukka et al.
9,798,308 B2	10/2017	Mimura	10,053,774 B2	8/2018	Tolle et al.
9,799,736 B1	10/2017	Ebrish et al.	10,060,473 B2	8/2018	Davey et al.
9,803,926 B2	10/2017	Kikuchi et al.	D827,592 S	9/2018	Ichino et al.
D801,942 S	11/2017	Riker et al.	D829,306 S	9/2018	Ikedo et al.
D802,472 S	11/2017	Sasaki et al.	10,083,836 B2	9/2018	Milligan
D802,546 S	11/2017	Jang et al.	D830,981 S	10/2018	Jeong et al.
D803,802 S	11/2017	Sasaki et al.	10,087,522 B2	10/2018	Raisanen et al.
9,808,246 B2	11/2017	Shelton et al.	10,087,525 B2	10/2018	Schmotzer et al.
9,812,319 B1	11/2017	Fukazawa et al.	10,090,316 B2	10/2018	Ootsuka
9,812,320 B1	11/2017	Pore et al.	10,092,125 B1 *	10/2018	Braunberger A47G 33/12
9,812,372 B2	11/2017	Choi et al.	10,103,040 B1	10/2018	Oosterlaken et al.
9,820,289 B1	11/2017	Pawar et al.	10,106,892 B1	10/2018	Siddiqui et al.
9,824,881 B2	11/2017	Niskanen et al.	RE47,145 E	11/2018	Hashimoto
9,824,884 B1	11/2017	Sims et al.	D834,686 S	11/2018	Yamada et al.
9,824,893 B1	11/2017	Smith et al.	10,121,671 B2	11/2018	Fu et al.
9,837,355 B2	12/2017	Briggs et al.	10,134,617 B2	11/2018	Gurary et al.
9,842,835 B1	12/2017	Cheng et al.	10,134,757 B2	11/2018	Chun et al.
9,847,221 B1	12/2017	McLaughlin et al.	RE47,170 E	12/2018	Beynet et al.
9,847,247 B2	12/2017	Huang et al.	10,147,600 B2	12/2018	Takamure et al.
9,850,573 B1	12/2017	Sun	10,167,557 B2	1/2019	Hawkins et al.
D807,494 S	1/2018	Kim et al.	10,177,024 B2	1/2019	Gomm et al.
D808,254 S	1/2018	Deleu	10,177,025 B2	1/2019	Pore
9,859,151 B1	1/2018	Niskanen	10,179,947 B2	1/2019	Fukazawa
9,865,455 B1	1/2018	Sims et al.	10,186,420 B2	1/2019	Fukazawa
9,865,456 B1	1/2018	Pandey et al.	10,190,213 B2	1/2019	Zhu et al.
9,865,815 B2	1/2018	Hausmann	10,190,214 B2	1/2019	Shon et al.
9,868,131 B2	1/2018	Kilpi et al.	10,190,701 B2	1/2019	Raj et al.
9,870,964 B1	1/2018	Yoshino et al.	10,192,734 B2	1/2019	Sanchez et al.
9,875,891 B2	1/2018	Henri et al.	10,193,429 B2	1/2019	Smith et al.
9,875,893 B2	1/2018	Takamure et al.	D840,364 S	2/2019	Ichino et al.
9,881,788 B2	1/2018	Kim et al.	10,204,788 B1	2/2019	Ye et al.
D810,705 S	2/2018	Krishnan et al.	10,211,308 B2	2/2019	Zhu et al.
9,887,082 B1	2/2018	Pore et al.	D842,651 S *	3/2019	Mroczkowski D7/416
9,890,456 B2	2/2018	Tolle et al.	10,229,833 B2	3/2019	Raisanen et al.
9,891,521 B2	2/2018	Kang et al.	10,229,851 B2	3/2019	Briggs et al.
9,892,908 B2	2/2018	Pettinger et al.	10,229,985 B1	3/2019	Li et al.
9,892,913 B2	2/2018	Margetis et al.	10,236,177 B1	3/2019	Kohen et al.
9,895,715 B2	2/2018	Haukka et al.	D846,008 S	4/2019	Geldenhuis et al.
9,899,291 B2	2/2018	Kato	10,249,524 B2	4/2019	den Hartog Besselink et al.
9,899,405 B2	2/2018	Kim	10,249,577 B2	4/2019	Lee et al.
9,905,420 B2	2/2018	Margetis et al.	10,262,859 B2	4/2019	Margetis et al.
			10,269,558 B2	4/2019	Blanquart et al.
			10,276,355 B2	4/2019	White et al.
			D849,055 S	5/2019	Kneip
			D849,662 S	5/2019	Rike

(56)

References Cited

U.S. PATENT DOCUMENTS

10,283,353 B2	5/2019	Kobayashi et al.	2001/0007645 A1	7/2001	Honma
10,287,684 B2	5/2019	Yanai et al.	2001/0014267 A1	8/2001	Yamaga et al.
10,290,508 B1	5/2019	Kubota et al.	2001/0014514 A1	8/2001	Geusic
10,297,440 B2	5/2019	Yamazaki et al.	2001/0015343 A1	8/2001	Sprey et al.
RE47,440 E	6/2019	Yudovsky et al.	2001/0016273 A1	8/2001	Narasimhan et al.
10,312,055 B2	6/2019	Suzuki	2001/0017103 A1	8/2001	Takeshita et al.
10,312,129 B2	6/2019	Coomer	2001/0018267 A1	8/2001	Shinriki et al.
10,319,588 B2	6/2019	Mattinen et al.	2001/0019347 A1	9/2001	Hauck
10,322,384 B2	6/2019	Stumpf et al.	2001/0019777 A1	9/2001	Tanaka et al.
10,332,747 B1	6/2019	Watanabe et al.	2001/0019900 A1	9/2001	Hasegawa
10,332,963 B1	6/2019	Xie	2001/0020715 A1	9/2001	Yamasaki
D855,089 S	7/2019	Hopkins	2001/0021591 A1	9/2001	Srinivasan et al.
10,340,125 B2	7/2019	Winkler	2001/0022215 A1	9/2001	Donohoe
10,340,135 B2	7/2019	Blanquart	2001/0024387 A1	9/2001	Raaijmakers et al.
10,343,920 B2	7/2019	Haukka	2001/0027026 A1	10/2001	Dhindsa et al.
10,347,547 B2	7/2019	Varadarajan et al.	2001/0027585 A1	10/2001	Lee
10,354,873 B2	7/2019	Ko et al.	2001/0028924 A1	10/2001	Sherman
10,361,201 B2	7/2019	Xie et al.	2001/0031535 A1	10/2001	Agnello et al.
10,361,366 B2	7/2019	Hakamata et al.	2001/0031541 A1	10/2001	Madan et al.
10,367,080 B2	7/2019	Tang et al.	2001/0034097 A1	10/2001	Lim et al.
10,388,513 B1	8/2019	Blanquart	2001/0038783 A1	11/2001	Nakashima et al.
10,395,917 B2	8/2019	Niskanen et al.	2001/0039922 A1	11/2001	Nakahara
10,395,919 B2	8/2019	Masaru et al.	2001/0039966 A1	11/2001	Walpole et al.
10,395,963 B2	8/2019	Cooke	2001/0040511 A1	11/2001	Bushner et al.
D859,136 S	9/2019	Tenander et al.	2001/0041250 A1	11/2001	Werkhoven et al.
10,400,335 B2	9/2019	Ge et al.	2001/0042511 A1	11/2001	Liu et al.
10,410,943 B2	9/2019	Jiang et al.	2001/0042514 A1	11/2001	Mizuno et al.
10,424,476 B2	9/2019	Suzuki et al.	2001/0042594 A1	11/2001	Shamouilian et al.
10,424,477 B2	9/2019	Niskanen et al.	2001/0046765 A1	11/2001	Cappellani et al.
D864,134 S	10/2019	Watarai et al.	2001/0047761 A1	12/2001	Wijck et al.
10,428,419 B2	10/2019	Huotari et al.	2001/0048981 A1	12/2001	Suzuki
10,435,790 B2	10/2019	Fukazawa et al.	2001/0049080 A1	12/2001	Asano
D867,867 S	11/2019	Tenander et al.	2001/0049202 A1	12/2001	Maeda et al.
10,468,244 B2	11/2019	Li et al.	2001/0052556 A1	12/2001	Ting et al.
10,468,251 B2	11/2019	Ishikawa et al.	2001/0054381 A1	12/2001	Umotoy et al.
10,483,154 B1	11/2019	Smith et al.	2001/0054388 A1	12/2001	Qian
10,510,529 B2	12/2019	Suzuki et al.	2002/0000195 A1	1/2002	Bang et al.
10,510,871 B1	12/2019	More et al.	2002/0000202 A1	1/2002	Yuda et al.
10,529,554 B2	1/2020	Ishikawa et al.	2002/0001971 A1	1/2002	Cho
D876,504 S	2/2020	Lee et al.	2002/0001974 A1	1/2002	Chan
10,590,531 B1	3/2020	Shirako et al.	2002/0001976 A1	1/2002	Danek
10,590,535 B2	3/2020	Huggare	2002/0005400 A1	1/2002	Gat et al.
10,600,637 B2	3/2020	Suzuki et al.	2002/0005943 A1	1/2002	Voinalovich
D880,437 S	4/2020	Lee et al.	2002/0008270 A1	1/2002	Marsh
D881,338 S	4/2020	Chen	2002/0009119 A1	1/2002	Matthew et al.
10,622,196 B2	4/2020	Nagayama et al.	2002/0009560 A1	1/2002	Ozono
10,622,236 B2	4/2020	Kuo et al.	2002/0009861 A1	1/2002	Narwankar et al.
10,648,788 B2	5/2020	Boyd et al.	2002/0011210 A1	1/2002	Satoh et al.
10,662,525 B2	5/2020	Jang et al.	2002/0011211 A1	1/2002	Halpin
10,704,143 B1	7/2020	Hisamitsu et al.	2002/0011310 A1	1/2002	Kamarehi et al.
10,714,335 B2	7/2020	Kim et al.	2002/0013792 A1	1/2002	Imielinski et al.
10,731,249 B2	8/2020	Hatanpää et al.	2002/0014204 A1	2/2002	Pyo
10,734,497 B2	8/2020	Zhu et al.	2002/0014483 A1	2/2002	Suzuki et al.
10,741,386 B2	8/2020	Chen et al.	2002/0015853 A1	2/2002	Wataya et al.
10,763,139 B2	9/2020	Shindo	2002/0016829 A1	2/2002	Defosse
10,770,336 B2	9/2020	Hill et al.	2002/0020429 A1	2/2002	Selbrede et al.
D900,036 S	10/2020	Wuester et al.	2002/0022347 A1	2/2002	Park et al.
D903,477 S	12/2020	Goratela et al.	2002/0023677 A1	2/2002	Zheng
D913,980 S	3/2021	Lee et al.	2002/0025688 A1	2/2002	Kato
D914,620 S	3/2021	Rokkam et al.	2002/0027945 A1	3/2002	Hirano et al.
10,950,477 B2	3/2021	Lin et al.	2002/0030047 A1	3/2002	Shao et al.
D915,113 S *	4/2021	Boberg D6/708.23	2002/0031644 A1	3/2002	Malofsky et al.
11,018,003 B2	5/2021	Huang et al.	2002/0033183 A1	3/2002	Sun et al.
D922,229 S	6/2021	Jun et al.	2002/0036065 A1	3/2002	Yamagishi et al.
11,053,584 B2	7/2021	Hsieh et al.	2002/0041931 A1	4/2002	Suntola et al.
2001/0000141 A1	4/2001	Zhou et al.	2002/0043337 A1	4/2002	Goodman et al.
2001/0001953 A1	5/2001	Griffiths et al.	2002/0045336 A1	4/2002	Locati et al.
2001/0002581 A1	6/2001	Nishikawa et al.	2002/0047705 A1	4/2002	Tada et al.
2001/0003015 A1	6/2001	Chang et al.	2002/0048634 A1	4/2002	Basceri
2001/0003191 A1	6/2001	Kovacs et al.	2002/0050648 A1	5/2002	Kishida et al.
2001/0003271 A1	6/2001	Otsuki	2002/0052119 A1	5/2002	Cleemput
2001/0004880 A1	6/2001	Cho et al.	2002/0061716 A1	5/2002	Korovin et al.
2001/0006070 A1	7/2001	Shang	2002/0062633 A1	5/2002	Denker et al.
2001/0007244 A1	7/2001	Matsuse	2002/0064592 A1	5/2002	Datta et al.
2001/0007246 A1	7/2001	Ueda et al.	2002/0064598 A1	5/2002	Wang et al.
			2002/0066532 A1	6/2002	Shih et al.
			2002/0068458 A1	6/2002	Chiang et al.
			2002/0069222 A1	6/2002	McNeely
			2002/0073922 A1	6/2002	Frankel et al.

(56)

References Cited

U.S. PATENT DOCUMENTS

- | | | | | | | | |
|--------------|----|---------|---------------------|--------------|----|--------|--------------------|
| 2002/0073923 | A1 | 6/2002 | Saito et al. | 2003/0010355 | A1 | 1/2003 | Nowak et al. |
| 2002/0076490 | A1 | 6/2002 | Chiang et al. | 2003/0010451 | A1 | 1/2003 | Tzu |
| 2002/0076507 | A1 | 6/2002 | Chiang et al. | 2003/0010452 | A1 | 1/2003 | Park et al. |
| 2002/0076944 | A1 | 6/2002 | Wang et al. | 2003/0012632 | A1 | 1/2003 | Saeki |
| 2002/0078893 | A1 | 6/2002 | Van Os et al. | 2003/0013314 | A1 | 1/2003 | Ying et al. |
| 2002/0079056 | A1 | 6/2002 | Kudo et al. | 2003/0015141 | A1 | 1/2003 | Takagi |
| 2002/0079714 | A1 | 6/2002 | Soucy et al. | 2003/0015294 | A1 | 1/2003 | Wang |
| 2002/0081826 | A1 | 6/2002 | Rotondaro et al. | 2003/0015596 | A1 | 1/2003 | Evans |
| 2002/0086501 | A1 | 7/2002 | O'Donnell et al. | 2003/0017265 | A1 | 1/2003 | Basceri et al. |
| 2002/0088542 | A1 | 7/2002 | Nishikawa et al. | 2003/0017266 | A1 | 1/2003 | Basceri et al. |
| 2002/0090735 | A1 | 7/2002 | Kishkovich et al. | 2003/0017268 | A1 | 1/2003 | Hu |
| 2002/0094378 | A1 | 7/2002 | O'Donnell et al. | 2003/0019428 | A1 | 1/2003 | Ku et al. |
| 2002/0094388 | A1 | 7/2002 | Fonash et al. | 2003/0019580 | A1 | 1/2003 | Strang |
| 2002/0096211 | A1 | 7/2002 | Zheng | 2003/0022468 | A1 | 1/2003 | Shioya et al. |
| 2002/0098627 | A1 | 7/2002 | Pomarede et al. | 2003/0022523 | A1 | 1/2003 | Irino et al. |
| 2002/0099470 | A1 | 7/2002 | Zinger et al. | 2003/0023338 | A1 | 1/2003 | Chin et al. |
| 2002/0100418 | A1 | 8/2002 | Sandhu et al. | 2003/0024901 | A1 | 2/2003 | Ishikawa |
| 2002/0104481 | A1 | 8/2002 | Chiang et al. | 2003/0025146 | A1 | 2/2003 | Narwankar et al. |
| 2002/0104751 | A1 | 8/2002 | Drewery et al. | 2003/0026904 | A1 | 2/2003 | Yadav et al. |
| 2002/0106909 | A1 | 8/2002 | Kato et al. | 2003/0027431 | A1 | 2/2003 | Sneh et al. |
| 2002/0108570 | A1 | 8/2002 | Lindfors | 2003/0029303 | A1 | 2/2003 | Hasegawa et al. |
| 2002/0108670 | A1 | 8/2002 | Baker et al. | 2003/0029381 | A1 | 2/2003 | Nishibayashi |
| 2002/0108714 | A1 | 8/2002 | Doering et al. | 2003/0029475 | A1 | 2/2003 | Hua et al. |
| 2002/0109115 | A1 | 8/2002 | Cederstav et al. | 2003/0029563 | A1 | 2/2003 | Kaushal et al. |
| 2002/0110695 | A1 | 8/2002 | Yang et al. | 2003/0032297 | A1 | 2/2003 | Lindstrom et al. |
| 2002/0110991 | A1 | 8/2002 | Li | 2003/0035002 | A1 | 2/2003 | Moles |
| 2002/0112114 | A1 | 8/2002 | Blair et al. | 2003/0035705 | A1 | 2/2003 | Johnson |
| 2002/0114886 | A1 | 8/2002 | Chou et al. | 2003/0036272 | A1 | 2/2003 | Shamouilian et al. |
| 2002/0115252 | A1 | 8/2002 | Haukka et al. | 2003/0037800 | A1 | 2/2003 | Bailey et al. |
| 2002/0117113 | A1 | 8/2002 | Tsuruno et al. | 2003/0040120 | A1 | 2/2003 | Allen et al. |
| 2002/0117262 | A1 | 8/2002 | Pang et al. | 2003/0040158 | A1 | 2/2003 | Saitoh |
| 2002/0122885 | A1 | 9/2002 | Ahn | 2003/0040196 | A1 | 2/2003 | Lim et al. |
| 2002/0123200 | A1 | 9/2002 | Yamamoto et al. | 2003/0040841 | A1 | 2/2003 | Nasr et al. |
| 2002/0123230 | A1 | 9/2002 | Hubacek | 2003/0041971 | A1 | 3/2003 | Kido et al. |
| 2002/0123237 | A1 | 9/2002 | Nguyen et al. | 2003/0042419 | A1 | 3/2003 | Katsumata et al. |
| 2002/0124883 | A1 | 9/2002 | Zheng | 2003/0045961 | A1 | 3/2003 | Nakao |
| 2002/0124906 | A1 | 9/2002 | Suzuki et al. | 2003/0049372 | A1 | 3/2003 | Cook et al. |
| 2002/0127350 | A1 | 9/2002 | Ishikawa et al. | 2003/0049375 | A1 | 3/2003 | Nguyen et al. |
| 2002/0127956 | A1 | 9/2002 | Ashjaee et al. | 2003/0049499 | A1 | 3/2003 | Murakawa et al. |
| 2002/0129768 | A1 | 9/2002 | Carpenter et al. | 2003/0049571 | A1 | 3/2003 | Hallock et al. |
| 2002/0132408 | A1 | 9/2002 | Ma et al. | 2003/0049580 | A1 | 3/2003 | Goodman |
| 2002/0134511 | A1 | 9/2002 | Ushioda et al. | 2003/0049937 | A1 | 3/2003 | Suzuki |
| 2002/0136214 | A1 | 9/2002 | Do et al. | 2003/0054670 | A1 | 3/2003 | Wang et al. |
| 2002/0136909 | A1 | 9/2002 | Yang | 2003/0056726 | A1 | 3/2003 | Holst et al. |
| 2002/0139775 | A1 | 10/2002 | Chang | 2003/0057848 | A1 | 3/2003 | Yuasa et al. |
| 2002/0146512 | A1 | 10/2002 | Rossmann | 2003/0059535 | A1 | 3/2003 | Luo et al. |
| 2002/0151327 | A1 | 10/2002 | Levitt | 2003/0059980 | A1 | 3/2003 | Chen et al. |
| 2002/0152244 | A1 | 10/2002 | Dean et al. | 2003/0062359 | A1 | 4/2003 | Ho et al. |
| 2002/0155219 | A1 | 10/2002 | Wang et al. | 2003/0065413 | A1 | 4/2003 | Liteplo et al. |
| 2002/0155708 | A1 | 10/2002 | Lo et al. | 2003/0066482 | A1 | 4/2003 | Pokharna et al. |
| 2002/0157611 | A1 | 10/2002 | Bondestam et al. | 2003/0066541 | A1 | 4/2003 | Sun et al. |
| 2002/0160112 | A1 | 10/2002 | Sakai et al. | 2003/0066826 | A1 | 4/2003 | Lee et al. |
| 2002/0164420 | A1 | 11/2002 | Derderian et al. | 2003/0070617 | A1 | 4/2003 | Kim et al. |
| 2002/0164423 | A1 | 11/2002 | Chiang et al. | 2003/0071015 | A1 | 4/2003 | Chinn et al. |
| 2002/0168870 | A1 | 11/2002 | Matsuki | 2003/0072882 | A1 | 4/2003 | Niinisto et al. |
| 2002/0170676 | A1 | 11/2002 | Mitrovic et al. | 2003/0075107 | A1 | 4/2003 | Miyano et al. |
| 2002/0172768 | A1 | 11/2002 | Endo et al. | 2003/0075925 | A1 | 4/2003 | Lindfors et al. |
| 2002/0174106 | A1 | 11/2002 | Martin | 2003/0077857 | A1 | 4/2003 | Xia et al. |
| 2002/0179011 | A1 | 12/2002 | Jonnalagadda et al. | 2003/0077883 | A1 | 4/2003 | Ohtake |
| 2002/0181612 | A1 | 12/2002 | Warble et al. | 2003/0082296 | A1 | 5/2003 | Elers et al. |
| 2002/0184111 | A1 | 12/2002 | Swanson | 2003/0082307 | A1 | 5/2003 | Chung et al. |
| 2002/0187650 | A1 | 12/2002 | Blalock et al. | 2003/0085663 | A1 | 5/2003 | Horsky |
| 2002/0187656 | A1 | 12/2002 | Tan et al. | 2003/0091938 | A1 | 5/2003 | Fairbairn et al. |
| 2002/0188376 | A1 | 12/2002 | Derderian et al. | 2003/0094133 | A1 | 5/2003 | Yoshidome et al. |
| 2002/0192370 | A1 | 12/2002 | Metzner et al. | 2003/0101938 | A1 | 6/2003 | Ronsse et al. |
| 2002/0197402 | A1 | 12/2002 | Chiang et al. | 2003/0109107 | A1 | 6/2003 | Hsieh et al. |
| 2002/0197849 | A1 | 12/2002 | Mandal | 2003/0109951 | A1 | 6/2003 | Hsiung et al. |
| 2003/0000647 | A1 | 1/2003 | Yudovsky et al. | 2003/0111012 | A1 | 6/2003 | Takeshima |
| 2003/0002562 | A1 | 1/2003 | Yerlikaya et al. | 2003/0111013 | A1 | 6/2003 | Oosterlaken et al. |
| 2003/0003607 | A1 | 1/2003 | Kagoshima | 2003/0111963 | A1 | 6/2003 | Tolmachev et al. |
| 2003/0003635 | A1 | 1/2003 | Paranjpe et al. | 2003/0113995 | A1 | 6/2003 | Xia et al. |
| 2003/0003696 | A1 | 1/2003 | Gelatos et al. | 2003/0116087 | A1 | 6/2003 | Nguyen |
| 2003/0003719 | A1 | 1/2003 | Lim et al. | 2003/0121608 | A1 | 7/2003 | Chen |
| 2003/0008528 | A1 | 1/2003 | Xia et al. | 2003/0124792 | A1 | 7/2003 | Jeon et al. |
| 2003/0008602 | A1 | 1/2003 | Ashjaee et al. | 2003/0124818 | A1 | 7/2003 | Luo et al. |
| | | | | 2003/0124820 | A1 | 7/2003 | Johnsgard et al. |
| | | | | 2003/0124842 | A1 | 7/2003 | Hytros et al. |
| | | | | 2003/0127049 | A1 | 7/2003 | Han et al. |
| | | | | 2003/0132319 | A1 | 7/2003 | Hytros et al. |

(56)

References Cited

U.S. PATENT DOCUMENTS

2003/0133854	A1	7/2003	Tabata et al.	2004/0011504	A1	1/2004	Ku et al.
2003/0134038	A1	7/2003	Paranjpe	2004/0013577	A1	1/2004	Ganguli et al.
2003/0140851	A1	7/2003	Janakiraman et al.	2004/0013818	A1	1/2004	Moon et al.
2003/0141527	A1	7/2003	Joo et al.	2004/0015300	A1	1/2004	Ganguli et al.
2003/0141820	A1	7/2003	White et al.	2004/0016637	A1	1/2004	Yang
2003/0143328	A1	7/2003	Chen	2004/0018304	A1	1/2004	Chung et al.
2003/0143846	A1	7/2003	Sekiya et al.	2004/0018307	A1	1/2004	Park et al.
2003/0145789	A1	8/2003	Bauch et al.	2004/0018694	A1	1/2004	Lee et al.
2003/0149506	A1	8/2003	Haanstra et al.	2004/0018723	A1	1/2004	Byun et al.
2003/0150386	A1	8/2003	Shimada	2004/0018750	A1	1/2004	Sophie et al.
2003/0153177	A1	8/2003	Tepman et al.	2004/0023125	A1	2/2004	Nozawa et al.
2003/0153186	A1	8/2003	Bar-Gadda	2004/0023516	A1	2/2004	Londergan et al.
2003/0157345	A1	8/2003	Beldi et al.	2004/0025786	A1	2/2004	Kontani et al.
2003/0157432	A1	8/2003	Rottsegge	2004/0025787	A1	2/2004	Selbrede et al.
2003/0157436	A1	8/2003	Manger et al.	2004/0026372	A1	2/2004	Takenaka et al.
2003/0159653	A1	8/2003	Dando et al.	2004/0029052	A1	2/2004	Park et al.
2003/0159656	A1	8/2003	Tan	2004/0031564	A1	2/2004	Gottscho et al.
2003/0162412	A1	8/2003	Chung	2004/0035358	A1	2/2004	Basceri et al.
2003/0168001	A1	9/2003	Sneh	2004/0036129	A1	2/2004	Forbes et al.
2003/0168008	A1	9/2003	Ohmi et al.	2004/0037339	A1	2/2004	Watson et al.
2003/0168012	A1	9/2003	Tamura et al.	2004/0037675	A1	2/2004	Zinger et al.
2003/0168174	A1	9/2003	Foree	2004/0038525	A1	2/2004	Meng et al.
2003/0168699	A1	9/2003	Honda	2004/0043149	A1	3/2004	Gordon et al.
2003/0168750	A1	9/2003	Basceri et al.	2004/0043544	A1	3/2004	Asai et al.
2003/0168948	A1	9/2003	Yamagishi et al.	2004/0048439	A1	3/2004	Soman
2003/0170153	A1	9/2003	Bar-Gadda	2004/0048452	A1	3/2004	Sugawara et al.
2003/0170583	A1	9/2003	Nakashima	2004/0048492	A1	3/2004	Ishikawa et al.
2003/0170945	A1	9/2003	Igeta et al.	2004/0050325	A1	3/2004	Samoilov
2003/0173030	A1	9/2003	Ishii et al.	2004/0050496	A1	3/2004	Iwai et al.
2003/0173490	A1	9/2003	Lappen	2004/0052972	A1	3/2004	Schmitt
2003/0176074	A1	9/2003	Paterson et al.	2004/0056017	A1	3/2004	Renken
2003/0178145	A1	9/2003	Anderson et al.	2004/0058517	A1	3/2004	Nallan et al.
2003/0180458	A1	9/2003	Sneh	2004/0062081	A1	4/2004	Drewes
2003/0181065	A1	9/2003	O'Donnell	2004/0063289	A1	4/2004	Ohta
2003/0183156	A1	10/2003	Dando	2004/0065255	A1	4/2004	Yang et al.
2003/0183856	A1	10/2003	Wieczorek et al.	2004/0069226	A1	4/2004	Yoshida et al.
2003/0188682	A1	10/2003	Tois et al.	2004/0071897	A1	4/2004	Verplancken et al.
2003/0188685	A1	10/2003	Wang	2004/0077182	A1	4/2004	Lim et al.
2003/0190804	A1	10/2003	Glenn et al.	2004/0079286	A1	4/2004	Lindfors
2003/0192875	A1	10/2003	Bieker et al.	2004/0079960	A1	4/2004	Shakuda
2003/0198587	A1	10/2003	Kaloyeros	2004/0080697	A1	4/2004	Song
2003/0200926	A1	10/2003	Dando et al.	2004/0082171	A1	4/2004	Shin et al.
2003/0201541	A1	10/2003	Kim	2004/0083961	A1	5/2004	Basceri
2003/0205096	A1	11/2003	Gehner et al.	2004/0083962	A1	5/2004	Bang et al.
2003/0205202	A1	11/2003	Funaki et al.	2004/0083964	A1	5/2004	Ingle et al.
2003/0205237	A1	11/2003	Sakuma	2004/0083975	A1	5/2004	Tong et al.
2003/0205327	A1	11/2003	Howald et al.	2004/0087141	A1	5/2004	Ramanathan et al.
2003/0207032	A1	11/2003	Ahn et al.	2004/0087168	A1	5/2004	Granneman et al.
2003/0209323	A1	11/2003	Yokogaki	2004/0089078	A1	5/2004	Gehner et al.
2003/0209326	A1	11/2003	Lee et al.	2004/0089236	A1	5/2004	Yokogawa et al.
2003/0209746	A1	11/2003	Horii	2004/0092073	A1	5/2004	Cabral et al.
2003/0210901	A1	11/2003	Donald et al.	2004/0092120	A1	5/2004	Wicker
2003/0211735	A1	11/2003	Rossman	2004/0093963	A1	5/2004	Gehner et al.
2003/0213435	A1	11/2003	Okuda et al.	2004/0094206	A1	5/2004	Ishida
2003/0213560	A1	11/2003	Wang et al.	2004/0094402	A1	5/2004	Gopalraja
2003/0213562	A1	11/2003	Gondhalekar et al.	2004/0095074	A1	5/2004	Ishii et al.
2003/0215963	A1	11/2003	AmRhein et al.	2004/0099213	A1	5/2004	Adomaitis et al.
2003/0217915	A1	11/2003	Ouellet	2004/0099635	A1	5/2004	Nishikawa
2003/0219972	A1	11/2003	Green	2004/0101622	A1	5/2004	Park et al.
2003/0221780	A1	12/2003	Lei et al.	2004/0103914	A1	6/2004	Cheng et al.
2003/0226840	A1	12/2003	Dalton	2004/0104439	A1	6/2004	Haukka et al.
2003/0228772	A1	12/2003	Cowans	2004/0105738	A1	6/2004	Ahn et al.
2003/0230986	A1	12/2003	Horsky et al.	2004/0106249	A1	6/2004	Huotari
2003/0231698	A1	12/2003	Yamaguchi	2004/0112288	A1	6/2004	Whitesell
2003/0232138	A1	12/2003	Tuominen et al.	2004/0115936	A1	6/2004	DePettrillo et al.
2003/0232491	A1	12/2003	Yamaguchi	2004/0118342	A1	6/2004	Cheng et al.
2003/0232497	A1	12/2003	Xi et al.	2004/0121620	A1	6/2004	Pomarede et al.
2003/0232511	A1	12/2003	Metzner et al.	2004/0124131	A1	7/2004	Aitchison
2003/0234371	A1	12/2003	Ziegler	2004/0124549	A1	7/2004	Curran
2004/0002224	A1	1/2004	Chono et al.	2004/0126213	A1	7/2004	Pelzmann et al.
2004/0005147	A1	1/2004	Wang et al.	2004/0126929	A1	7/2004	Tang et al.
2004/0005753	A1	1/2004	Kostamo et al.	2004/0126990	A1	7/2004	Ohta
2004/0009307	A1	1/2004	Koh et al.	2004/0127069	A1	7/2004	Yamazaki et al.
2004/0009679	A1	1/2004	Yeo et al.	2004/0129211	A1	7/2004	Blonigan et al.
2004/0010772	A1	1/2004	McKenna et al.	2004/0129671	A1	7/2004	Ji et al.
				2004/0134429	A1	7/2004	Yamanaka
				2004/0137756	A1	7/2004	Li et al.
				2004/0142577	A1	7/2004	Sugawara et al.
				2004/0144311	A1	7/2004	Chen

(56)

References Cited

U.S. PATENT DOCUMENTS

2004/0144323	A1	7/2004	Kai	2005/0026402	A1	2/2005	Jurgensen
2004/0144980	A1	7/2004	Ahn et al.	2005/0033075	A1	2/2005	Chi et al.
2004/0146644	A1	7/2004	Xia et al.	2005/0034664	A1	2/2005	Koh et al.
2004/0151844	A1	8/2004	Zhang et al.	2005/0034674	A1	2/2005	Ono
2004/0151845	A1	8/2004	Nguyen et al.	2005/0037154	A1	2/2005	Koh et al.
2004/0152287	A1	8/2004	Sherrill et al.	2005/0037578	A1	2/2005	Chen et al.
2004/0154746	A1	8/2004	Park	2005/0037610	A1	2/2005	Cha
2004/0159343	A1	8/2004	Shimbara et al.	2005/0037619	A1	2/2005	Granneman et al.
2004/0163590	A1	8/2004	Tran et al.	2005/0040144	A1	2/2005	Sellers
2004/0168627	A1	9/2004	Conley et al.	2005/0042778	A1	2/2005	Peukert
2004/0168742	A1	9/2004	Kim et al.	2005/0046825	A1	3/2005	Powell et al.
2004/0168769	A1	9/2004	Matsuoka et al.	2005/0048797	A1	3/2005	Fukazawa
2004/0169032	A1	9/2004	Murayama et al.	2005/0051093	A1	3/2005	Makino et al.
2004/0185177	A1	9/2004	Basceri et al.	2005/0051100	A1	3/2005	Chiang et al.
2004/0187304	A1	9/2004	Chen et al.	2005/0051854	A1	3/2005	Cabral et al.
2004/0187777	A1	9/2004	Okamoto et al.	2005/0054175	A1	3/2005	Bauer
2004/0187784	A1	9/2004	Sferlazzo	2005/0054198	A1	3/2005	Um
2004/0187790	A1	9/2004	Bader	2005/0054228	A1	3/2005	March
2004/0187928	A1	9/2004	Ambrosina	2005/0056218	A1	3/2005	Sun et al.
2004/0198069	A1	10/2004	Metzner et al.	2005/0056780	A1	3/2005	Miller et al.
2004/0200499	A1	10/2004	Harvey et al.	2005/0059261	A1	3/2005	Basceri et al.
2004/0202786	A1	10/2004	Wongsenakhum et al.	2005/0059262	A1	3/2005	Yin et al.
2004/0203251	A1	10/2004	Kawaguchi et al.	2005/0059264	A1	3/2005	Cheung
2004/0206305	A1	10/2004	Choi et al.	2005/0061964	A1	3/2005	Nagano et al.
2004/0208228	A1	10/2004	Hashikura et al.	2005/0062773	A1	3/2005	Fouet
2004/0209477	A1	10/2004	Buxbaum et al.	2005/0063451	A1	3/2005	Abe et al.
2004/0211357	A1	10/2004	Gadgil	2005/0064207	A1	3/2005	Senzaki et al.
2004/0212947	A1	10/2004	Nguyen	2005/0064719	A1	3/2005	Liu
2004/0213921	A1	10/2004	Leu	2005/0066893	A1	3/2005	Soininen
2004/0214399	A1	10/2004	Ahn et al.	2005/0069651	A1	3/2005	Miyoshi
2004/0214445	A1	10/2004	Shimizu et al.	2005/0070123	A1	3/2005	Hirano
2004/0217217	A1	11/2004	Han et al.	2005/0070128	A1	3/2005	Xia et al.
2004/0219793	A1	11/2004	Hishiya et al.	2005/0070729	A1	3/2005	Kiyomori et al.
2004/0220699	A1	11/2004	Heden et al.	2005/0072357	A1	4/2005	Shero et al.
2004/0221807	A1	11/2004	Verghese et al.	2005/0074576	A1	4/2005	Chaiken et al.
2004/0221808	A1	11/2004	Kawano	2005/0074983	A1	4/2005	Shinriki et al.
2004/0223893	A1	11/2004	Tabata et al.	2005/0079124	A1	4/2005	Sanderson
2004/0224478	A1	11/2004	Chudzik et al.	2005/0079691	A1	4/2005	Kim et al.
2004/0226507	A1	11/2004	Carpenter et al.	2005/0081786	A1	4/2005	Kubista et al.
2004/0226515	A1	11/2004	Yendler et al.	2005/0085090	A1	4/2005	Mui et al.
2004/0228968	A1	11/2004	Basceri	2005/0090123	A1	4/2005	Nishimura et al.
2004/0231600	A1	11/2004	Lee	2005/0092247	A1	5/2005	Schmidt
2004/0231799	A1	11/2004	Lee et al.	2005/0092249	A1	5/2005	Kilpela et al.
2004/0238523	A1	12/2004	Kuibira et al.	2005/0092439	A1	5/2005	Keeton et al.
2004/0241322	A1	12/2004	Basceri et al.	2005/0092733	A1	5/2005	Ito et al.
2004/0241341	A1	12/2004	Lin	2005/0095770	A1	5/2005	Kumagai et al.
2004/0241998	A1	12/2004	Hanson	2005/0095779	A1	5/2005	Park et al.
2004/0245091	A1	12/2004	Karim et al.	2005/0095859	A1	5/2005	Chen et al.
2004/0247779	A1	12/2004	Selvamanickam et al.	2005/0098107	A1	5/2005	Du Bois et al.
2004/0250600	A1	12/2004	Bervers et al.	2005/0100669	A1	5/2005	Kools et al.
2004/0253790	A1	12/2004	Ootsuka	2005/0101154	A1	5/2005	Huang
2004/0253867	A1	12/2004	Matsumoto	2005/0101843	A1	5/2005	Quinn et al.
2004/0261492	A1	12/2004	Zarkar et al.	2005/0104112	A1	5/2005	Haukka et al.
2004/0261706	A1	12/2004	Lindfors et al.	2005/0106762	A1	5/2005	Chakrapani et al.
2004/0261712	A1	12/2004	Hayashi et al.	2005/0106893	A1	5/2005	Wilk
2004/0261946	A1	12/2004	Endoh et al.	2005/0107627	A1	5/2005	Dussarrat et al.
2004/0266011	A1	12/2004	Lee et al.	2005/0109461	A1	5/2005	Sun
2005/0000428	A1	1/2005	Shero et al.	2005/0110069	A1	5/2005	Kil et al.
2005/0001062	A1	1/2005	McCracken et al.	2005/0112282	A1	5/2005	Gordon et al.
2005/0003089	A1	1/2005	Won et al.	2005/0115946	A1	6/2005	Shim et al.
2005/0003600	A1	1/2005	Kasai et al.	2005/0118804	A1	6/2005	Byun et al.
2005/0003662	A1	1/2005	Jurisch et al.	2005/0118837	A1	6/2005	Todd
2005/0006682	A1	1/2005	Bae et al.	2005/0120805	A1	6/2005	Lane
2005/0008799	A1	1/2005	Tomiyasu et al.	2005/0120962	A1	6/2005	Ushioda et al.
2005/0009325	A1	1/2005	Chung et al.	2005/0121145	A1	6/2005	Du Bois et al.
2005/0016452	A1	1/2005	Ryu et al.	2005/0123690	A1	6/2005	Derderian et al.
2005/0016470	A1	1/2005	Kang et al.	2005/0130427	A1	6/2005	Seok-Jun
2005/0016956	A1	1/2005	Liu et al.	2005/0132957	A1	6/2005	El-Raghy
2005/0017272	A1	1/2005	Yamashita et al.	2005/0133160	A1	6/2005	Kennedy et al.
2005/0019026	A1	1/2005	Wang et al.	2005/0133161	A1	6/2005	Carpenter et al.
2005/0019494	A1	1/2005	Moghadam et al.	2005/0133166	A1	6/2005	Satitpunwaycha et al.
2005/0019960	A1	1/2005	Lee et al.	2005/0136188	A1	6/2005	Chang
2005/0020071	A1	1/2005	Sonobe et al.	2005/0136657	A1	6/2005	Yokoi et al.
2005/0023231	A1	2/2005	Huang et al.	2005/0139160	A1	6/2005	Lei et al.
2005/0023624	A1	2/2005	Ahn et al.	2005/0141591	A1	6/2005	Sakano
				2005/0142361	A1	6/2005	Nakanishi
				2005/0145338	A1	7/2005	Park et al.
				2005/0148162	A1	7/2005	Chen et al.
				2005/0150601	A1	7/2005	Srivastava

(56)

References Cited

U.S. PATENT DOCUMENTS

- | | | | | | | | |
|--------------|----|---------|------------------------|--------------|----|---------|----------------------|
| 2005/0151184 | A1 | 7/2005 | Lee et al. | 2005/0285208 | A1 | 12/2005 | Ren et al. |
| 2005/0153571 | A1 | 7/2005 | Senzaki | 2005/0287725 | A1 | 12/2005 | Kitagawa |
| 2005/0153573 | A1 | 7/2005 | Okudaira et al. | 2005/0287771 | A1 | 12/2005 | Seamons et al. |
| 2005/0160987 | A1 | 7/2005 | Kasai et al. | 2006/0000411 | A1 | 1/2006 | Seo |
| 2005/0161434 | A1 | 7/2005 | Sugawara et al. | 2006/0006538 | A1 | 1/2006 | Allman et al. |
| 2005/0164469 | A1 | 7/2005 | Haupt | 2006/0008997 | A1 | 1/2006 | Jang et al. |
| 2005/0170306 | A1 | 8/2005 | Oosterlaken et al. | 2006/0009044 | A1 | 1/2006 | Igeta et al. |
| 2005/0172895 | A1 | 8/2005 | Kijima et al. | 2006/0013674 | A1 | 1/2006 | Elliott et al. |
| 2005/0173003 | A1 | 8/2005 | Laverdiere et al. | 2006/0013946 | A1 | 1/2006 | Park et al. |
| 2005/0175789 | A1 | 8/2005 | Helms | 2006/0014384 | A1 | 1/2006 | Lee et al. |
| 2005/0178333 | A1 | 8/2005 | Loke et al. | 2006/0014397 | A1 | 1/2006 | Seamons et al. |
| 2005/0181535 | A1 | 8/2005 | Yun et al. | 2006/0016783 | A1 | 1/2006 | Wu et al. |
| 2005/0181555 | A1 | 8/2005 | Haukka et al. | 2006/0019033 | A1 | 1/2006 | Muthukrishnan et al. |
| 2005/0183827 | A1 | 8/2005 | White et al. | 2006/0019495 | A1 | 1/2006 | Marcadal et al. |
| 2005/0186688 | A1 | 8/2005 | Basceri | 2006/0019502 | A1 | 1/2006 | Park et al. |
| 2005/0187647 | A1 | 8/2005 | Wang et al. | 2006/0021572 | A1 | 2/2006 | Wolden |
| 2005/0191828 | A1 | 9/2005 | Al-Bayati et al. | 2006/0021573 | A1 | 2/2006 | Monsma et al. |
| 2005/0193948 | A1 | 9/2005 | Oohirabaru et al. | 2006/0021703 | A1 | 2/2006 | Umotoy et al. |
| 2005/0193952 | A1 | 9/2005 | Goodman et al. | 2006/0024439 | A2 | 2/2006 | Tuominen et al. |
| 2005/0199013 | A1 | 9/2005 | Vandroux et al. | 2006/0026314 | A1 | 2/2006 | Franchuk et al. |
| 2005/0199342 | A1 | 9/2005 | Shajii et al. | 2006/0032443 | A1 | 2/2006 | Hasebe et al. |
| 2005/0201908 | A1 | 9/2005 | Nakamura et al. | 2006/0040054 | A1 | 2/2006 | Pearlstein et al. |
| 2005/0208217 | A1 | 9/2005 | Shinriki et al. | 2006/0040508 | A1 | 2/2006 | Ji |
| 2005/0208219 | A1 | 9/2005 | Basceri | 2006/0046518 | A1 | 3/2006 | Hill et al. |
| 2005/0208718 | A1 | 9/2005 | Lim et al. | 2006/0048710 | A1 | 3/2006 | Horiguchi et al. |
| 2005/0211167 | A1 | 9/2005 | Gunji | 2006/0051505 | A1 | 3/2006 | Kortshagen et al. |
| 2005/0211384 | A1 | 9/2005 | Hayashi | 2006/0051520 | A1 | 3/2006 | Behle et al. |
| 2005/0212119 | A1 | 9/2005 | Shero | 2006/0051925 | A1 | 3/2006 | Ahn et al. |
| 2005/0214457 | A1 | 9/2005 | Schmitt et al. | 2006/0057799 | A1 | 3/2006 | Horiguchi et al. |
| 2005/0214458 | A1 | 9/2005 | Meiere | 2006/0057828 | A1 | 3/2006 | Omura |
| 2005/0208778 | A1 | 10/2005 | Li | 2006/0057858 | A1 | 3/2006 | Chung et al. |
| 2005/0218462 | A1 | 10/2005 | Ahn et al. | 2006/0060930 | A1 | 3/2006 | Metz et al. |
| 2005/0221021 | A1 | 10/2005 | Strang | 2006/0062910 | A1 | 3/2006 | Meiere |
| 2005/0221618 | A1 | 10/2005 | AmRhein et al. | 2006/0063346 | A1 | 3/2006 | Lee et al. |
| 2005/0223982 | A1 | 10/2005 | Park et al. | 2006/0068097 | A1 | 3/2006 | Yamasaki et al. |
| 2005/0223994 | A1 | 10/2005 | Blomiley et al. | 2006/0068104 | A1 | 3/2006 | Ishizaka |
| 2005/0227502 | A1 | 10/2005 | Schmitt et al. | 2006/0068121 | A1 | 3/2006 | Lee et al. |
| 2005/0229848 | A1 | 10/2005 | Shinriki | 2006/0068125 | A1 | 3/2006 | Radhakrishnan |
| 2005/0229849 | A1 | 10/2005 | Silvetti et al. | 2006/0081558 | A1 | 4/2006 | Collins et al. |
| 2005/0229972 | A1 | 10/2005 | Hoshi et al. | 2006/0087638 | A1 | 4/2006 | Hirayanagi |
| 2005/0233477 | A1 | 10/2005 | Yamazaki et al. | 2006/0090702 | A1 | 5/2006 | Koo et al. |
| 2005/0238807 | A1 | 10/2005 | Lin et al. | 2006/0093756 | A1 | 5/2006 | Rajagopalan et al. |
| 2005/0241176 | A1 | 11/2005 | Shero et al. | 2006/0094236 | A1 | 5/2006 | Elkins et al. |
| 2005/0241763 | A1 | 11/2005 | Huang et al. | 2006/0096540 | A1 | 5/2006 | Choi |
| 2005/0241765 | A1 | 11/2005 | Dhindsa et al. | 2006/0097220 | A1 | 5/2006 | Kim et al. |
| 2005/0245058 | A1 | 11/2005 | Lee et al. | 2006/0097305 | A1 | 5/2006 | Lee |
| 2005/0249876 | A1 | 11/2005 | Kawahara et al. | 2006/0099782 | A1 | 5/2006 | Ritenour |
| 2005/0250340 | A1 | 11/2005 | Chen et al. | 2006/0102968 | A1 | 5/2006 | Bojarczuk et al. |
| 2005/0251990 | A1 | 11/2005 | Choi | 2006/0105566 | A1 | 5/2006 | Waldfried et al. |
| 2005/0252447 | A1 | 11/2005 | Zhao et al. | 2006/0107898 | A1 | 5/2006 | Blomberg |
| 2005/0252449 | A1 | 11/2005 | Nguyen et al. | 2006/0108221 | A1 | 5/2006 | Goodwin et al. |
| 2005/0252455 | A1 | 11/2005 | Moriya et al. | 2006/0108331 | A1 | 5/2006 | Nozawa et al. |
| 2005/0253061 | A1 | 11/2005 | Cameron et al. | 2006/0110930 | A1 | 5/2006 | Senzaki |
| 2005/0255257 | A1 | 11/2005 | Choi et al. | 2006/0110934 | A1 | 5/2006 | Fukuchi |
| 2005/0255327 | A1 | 11/2005 | Chaney et al. | 2006/0113038 | A1 | 6/2006 | Gondhalekar et al. |
| 2005/0258280 | A1 | 11/2005 | Goto et al. | 2006/0113675 | A1 | 6/2006 | Chang et al. |
| 2005/0260347 | A1 | 11/2005 | Narwankar et al. | 2006/0113806 | A1 | 6/2006 | Tsuji et al. |
| 2005/0260837 | A1 | 11/2005 | Walther et al. | 2006/0115589 | A1 | 6/2006 | Vukovic |
| 2005/0260850 | A1 | 11/2005 | Loke | 2006/0118240 | A1 | 6/2006 | Holber et al. |
| 2005/0263072 | A1 | 12/2005 | Balasubramanian et al. | 2006/0118241 | A1 | 6/2006 | Ohmi et al. |
| 2005/0263075 | A1 | 12/2005 | Wang et al. | 2006/0125099 | A1 | 6/2006 | Gordon et al. |
| 2005/0263719 | A1 | 12/2005 | Ohdaira et al. | 2006/0127067 | A1 | 6/2006 | Wintenberger et al. |
| 2005/0263932 | A1 | 12/2005 | Heugel | 2006/0128142 | A1 | 6/2006 | Whelan et al. |
| 2005/0268856 | A1 | 12/2005 | Miller et al. | 2006/0128168 | A1 | 6/2006 | Ahn et al. |
| 2005/0271812 | A1 | 12/2005 | Myo et al. | 2006/0130751 | A1 | 6/2006 | Volfovski et al. |
| 2005/0271813 | A1 | 12/2005 | Kher et al. | 2006/0130767 | A1 | 6/2006 | Herchen |
| 2005/0272247 | A1 | 12/2005 | Ikeda et al. | 2006/0133955 | A1 | 6/2006 | Peters |
| 2005/0274323 | A1 | 12/2005 | Seidel et al. | 2006/0137608 | A1 | 6/2006 | Choi et al. |
| 2005/0276928 | A1 | 12/2005 | Okumura et al. | 2006/0137609 | A1 | 6/2006 | Puchacz et al. |
| 2005/0277271 | A1 | 12/2005 | Beintner | 2006/0141155 | A1 | 6/2006 | Gordon et al. |
| 2005/0282101 | A1 | 12/2005 | Adachi | 2006/0141758 | A1 | 6/2006 | Naumann et al. |
| 2005/0282350 | A1 | 12/2005 | Chou et al. | 2006/0144820 | A1 | 7/2006 | Sawin et al. |
| 2005/0284573 | A1 | 12/2005 | Egley et al. | 2006/0147626 | A1 | 7/2006 | Blomberg |
| 2005/0284991 | A1 | 12/2005 | Saez | 2006/0148151 | A1 | 7/2006 | Murthy et al. |
| 2005/0285097 | A1 | 12/2005 | Shang et al. | 2006/0148180 | A1 | 7/2006 | Ahn et al. |
| | | | | 2006/0151117 | A1 | 7/2006 | Kasanami et al. |
| | | | | 2006/0154424 | A1 | 7/2006 | Yang et al. |
| | | | | 2006/0156979 | A1 | 7/2006 | Thakur et al. |
| | | | | 2006/0156981 | A1 | 7/2006 | Fondurulia |

(56)

References Cited

U.S. PATENT DOCUMENTS

2006/0162658	A1	7/2006	Weidman	2006/0291982	A1	12/2006	Tanaka
2006/0162661	A1	7/2006	Jung et al.	2006/0292310	A1	12/2006	Le et al.
2006/0162863	A1	7/2006	Kim et al.	2006/0292845	A1	12/2006	Chiang et al.
2006/0163612	A1	7/2006	Kouvetakis et al.	2007/0004204	A1	1/2007	Fukazawa et al.
2006/0163683	A1	7/2006	Roth et al.	2007/0006806	A1	1/2007	Imai
2006/0165892	A1	7/2006	Weidman	2007/0010072	A1	1/2007	Bailey et al.
2006/0166428	A1	7/2006	Kamioka	2007/0012402	A1	1/2007	Sneh
2006/0172531	A1	8/2006	Lin et al.	2007/0014919	A1	1/2007	Hamalainen et al.
2006/0175669	A1	8/2006	Kim et al.	2007/0020160	A1	1/2007	Berkman et al.
2006/0176928	A1	8/2006	Nakamura et al.	2007/0020167	A1	1/2007	Han et al.
2006/0177855	A1	8/2006	Utermohlen	2007/0020830	A1	1/2007	Speranza
2006/0182885	A1	8/2006	Lei et al.	2007/0020953	A1	1/2007	Tsai et al.
2006/0185589	A1	8/2006	Zehavi et al.	2007/0022954	A1	2/2007	Iizuka et al.
2006/0188360	A1	8/2006	Bonora et al.	2007/0026148	A1	2/2007	Arai et al.
2006/0191555	A1	8/2006	Yoshida et al.	2007/0026162	A1	2/2007	Wei et al.
2006/0193979	A1	8/2006	Meiere et al.	2007/0026540	A1	2/2007	Nooten et al.
2006/0193980	A1	8/2006	Hasegawa	2007/0026654	A1	2/2007	Huotari et al.
2006/0196418	A1	9/2006	Lindfors et al.	2007/0028842	A1	2/2007	Inagawa et al.
2006/0196420	A1	9/2006	Ushakov et al.	2007/0031598	A1	2/2007	Okuyama et al.
2006/0196421	A1	9/2006	Ronsse et al.	2007/0031599	A1	2/2007	Gschwandtner et al.
2006/0199357	A1	9/2006	Wan et al.	2007/0032004	A1	2/2007	Ramaswamy et al.
2006/0205194	A1	9/2006	Bauer	2007/0032045	A1	2/2007	Kasahara et al.
2006/0205223	A1	9/2006	Smayling	2007/0032054	A1	2/2007	Ramaswamy et al.
2006/0205231	A1	9/2006	Chou et al.	2007/0032082	A1	2/2007	Ramaswamy et al.
2006/0208215	A1	9/2006	Metzner et al.	2007/0032095	A1	2/2007	Ramaswamy et al.
2006/0211224	A1	9/2006	Matsuda	2007/0034477	A1	2/2007	Inui
2006/0211243	A1	9/2006	Ishizaka et al.	2007/0037343	A1	2/2007	Colombo et al.
2006/0211259	A1	9/2006	Maes	2007/0037412	A1	2/2007	Dip et al.
2006/0213437	A1	9/2006	Ishizaka et al.	2007/0042117	A1	2/2007	Kupurao et al.
2006/0213439	A1	9/2006	Ishizaka	2007/0042581	A1	2/2007	Sano et al.
2006/0213441	A1	9/2006	Kobrin et al.	2007/0044716	A1	3/2007	Tetsuka et al.
2006/0216942	A1	9/2006	Kim et al.	2007/0045244	A1	3/2007	Lee et al.
2006/0219169	A1	10/2006	Chen et al.	2007/0047384	A1	3/2007	McLaughlin et al.
2006/0219361	A1	10/2006	Wang et al.	2007/0048953	A1	3/2007	Gealy et al.
2006/0219363	A1	10/2006	Matsumoto et al.	2007/0049053	A1	3/2007	Mahajani
2006/0223301	A1	10/2006	Vanhaelemeersch et al.	2007/0051299	A1	3/2007	Ong et al.
2006/0223337	A1	10/2006	Ahn et al.	2007/0051312	A1	3/2007	Sneh
2006/0226117	A1	10/2006	Bertram et al.	2007/0051471	A1	3/2007	Kawaguchi et al.
2006/0228496	A1	10/2006	Choi	2007/0054049	A1	3/2007	Lindfors et al.
2006/0228863	A1	10/2006	Zhang et al.	2007/0054499	A1	3/2007	Jang
2006/0228888	A1	10/2006	Lee et al.	2007/0056843	A1	3/2007	Ye et al.
2006/0228898	A1	10/2006	Wajda et al.	2007/0056850	A1	3/2007	Ye et al.
2006/0236934	A1	10/2006	Choi et al.	2007/0059948	A1	3/2007	Metzner et al.
2006/0240187	A1	10/2006	Weidman	2007/0062439	A1	3/2007	Wada et al.
2006/0240574	A1	10/2006	Yoshie	2007/0062453	A1	3/2007	Ishikawa
2006/0240662	A1	10/2006	Conley et al.	2007/0062646	A1	3/2007	Ogawa et al.
2006/0247404	A1	11/2006	Todd	2007/0065578	A1	3/2007	McDougall
2006/0249175	A1	11/2006	Nowak et al.	2007/0065597	A1	3/2007	Kaido et al.
2006/0249253	A1	11/2006	Dando	2007/0066010	A1	3/2007	Ando
2006/0251827	A1	11/2006	Nowak	2007/0066038	A1	3/2007	Sadjadi et al.
2006/0252228	A1	11/2006	Jeng	2007/0066079	A1	3/2007	Kolster et al.
2006/0252244	A1	11/2006	Vaartstra et al.	2007/0066084	A1	3/2007	Wajda et al.
2006/0252351	A1	11/2006	Kundracik	2007/0074665	A1	4/2007	Chacin et al.
2006/0254514	A1	11/2006	Kang et al.	2007/0077355	A1	4/2007	Chacin et al.
2006/0257563	A1	11/2006	Doh et al.	2007/0082132	A1	4/2007	Shinriki
2006/0257584	A1	11/2006	Derderian et al.	2007/0082500	A1	4/2007	Norman et al.
2006/0258078	A1	11/2006	Lee et al.	2007/0082508	A1	4/2007	Chiang et al.
2006/0258173	A1	11/2006	Xiao et al.	2007/0084405	A1	4/2007	Kim
2006/0260545	A1	11/2006	Ramaswamy et al.	2007/0087296	A1	4/2007	Kim et al.
2006/0263522	A1	11/2006	Byun	2007/0087515	A1	4/2007	Yieh et al.
2006/0263540	A1	11/2006	Ramaswamy et al.	2007/0087579	A1	4/2007	Kitayama et al.
2006/0264060	A1	11/2006	Ramaswamy et al.	2007/0089670	A1	4/2007	Ikedo
2006/0264066	A1	11/2006	Bartholomew	2007/0092696	A1	4/2007	Tsukatani et al.
2006/0266289	A1	11/2006	Verghese et al.	2007/0095283	A1	5/2007	Galewski
2006/0269690	A1	11/2006	Watanabe et al.	2007/0095286	A1	5/2007	Baek et al.
2006/0269692	A1	11/2006	Balseanu	2007/0096194	A1	5/2007	Streck et al.
2006/0275710	A1	12/2006	Yamazaki et al.	2007/0098527	A1	5/2007	Hall et al.
2006/0275933	A1	12/2006	Du Bois et al.	2007/0107845	A1	5/2007	Ishizawa et al.
2006/0278524	A1	12/2006	Stowell	2007/0111030	A1	5/2007	Nakano et al.
2006/0283629	A1	12/2006	Kikuchi et al.	2007/0111470	A1	5/2007	Smythe
2006/0286774	A1	12/2006	Singh et al.	2007/0111545	A1	5/2007	Lee et al.
2006/0286775	A1	12/2006	Singh et al.	2007/0113788	A1	5/2007	Nozawa et al.
2006/0286817	A1	12/2006	Kato et al.	2007/0116872	A1	5/2007	Li et al.
2006/0286818	A1	12/2006	Wang et al.	2007/0116873	A1	5/2007	Li et al.
2006/0286819	A1	12/2006	Seutter	2007/0116887	A1	5/2007	Faguet
				2007/0116888	A1	5/2007	Faguet
				2007/0119370	A1	5/2007	Ma et al.
				2007/0120275	A1	5/2007	Liu
				2007/0123037	A1	5/2007	Lee et al.

(56)

References Cited

U.S. PATENT DOCUMENTS

2007/0123060	A1	5/2007	Rahtu	2007/0241688	A1	10/2007	DeVancentis et al.
2007/0123189	A1	5/2007	Saito et al.	2007/0243317	A1	10/2007	Du Bois et al.
2007/0125762	A1	6/2007	Cui et al.	2007/0247075	A1	10/2007	Kim et al.
2007/0128538	A1	6/2007	Fairbairn et al.	2007/0248767	A1	10/2007	Okura
2007/0128570	A1	6/2007	Goto et al.	2007/0248832	A1	10/2007	Maeda et al.
2007/0128858	A1	6/2007	Haukka et al.	2007/0249131	A1	10/2007	Allen et al.
2007/0128876	A1	6/2007	Fukiage	2007/0251444	A1	11/2007	Gros-Jean et al.
2007/0128888	A1	6/2007	Goto et al.	2007/0251456	A1	11/2007	Herchen et al.
2007/0129621	A1	6/2007	Kellogg et al.	2007/0252233	A1	11/2007	Yamazaki et al.
2007/0131168	A1	6/2007	Gomi et al.	2007/0252244	A1	11/2007	Srividya et al.
2007/0134821	A1	6/2007	Thakur et al.	2007/0252532	A1	11/2007	DeVancentis et al.
2007/0134919	A1	6/2007	Gunji et al.	2007/0254414	A1	11/2007	Miyanami
2007/0134942	A1	6/2007	Ahn et al.	2007/0258506	A1	11/2007	Schwagerman et al.
2007/0137794	A1	6/2007	Qiu et al.	2007/0258855	A1	11/2007	Turcot et al.
2007/0144442	A1	6/2007	Migita	2007/0259778	A1	11/2007	Spencer et al.
2007/0146621	A1	6/2007	Yeom	2007/0261868	A1	11/2007	Gross
2007/0148347	A1	6/2007	Hatanpaa et al.	2007/0264427	A1	11/2007	Shinriki et al.
2007/0148350	A1	6/2007	Rahtu	2007/0264793	A1	11/2007	Oh et al.
2007/0148990	A1	6/2007	Deboer et al.	2007/0264807	A1	11/2007	Leone et al.
2007/0153625	A1	6/2007	Lundgren et al.	2007/0266932	A1	11/2007	Hiramatsu
2007/0155138	A1	7/2007	Tomasini et al.	2007/0266945	A1	11/2007	Shuto et al.
2007/0157466	A1	7/2007	Kida et al.	2007/0269983	A1	11/2007	Sneh
2007/0157683	A1	7/2007	Li	2007/0275166	A1	11/2007	Thridandam et al.
2007/0158026	A1	7/2007	Amikura	2007/0277735	A1	12/2007	Mokhesi et al.
2007/0163440	A1	7/2007	Kim et al.	2007/0281082	A1	12/2007	Mokhesi et al.
2007/0163490	A1	7/2007	Habel et al.	2007/0281105	A1	12/2007	Mokhesi et al.
2007/0163625	A1	7/2007	Lee	2007/0281106	A1	12/2007	Lubomirsky et al.
2007/0163996	A1	7/2007	Horiguchi	2007/0281496	A1	12/2007	Ingle et al.
2007/0166457	A1	7/2007	Yamoto et al.	2007/0286957	A1	12/2007	Suzuki et al.
2007/0166459	A1	7/2007	Chang et al.	2007/0289534	A1	12/2007	Lubomirsky et al.
2007/0166966	A1	7/2007	Todd et al.	2007/0292974	A1	12/2007	Mizuno et al.
2007/0166999	A1	7/2007	Vaarstra	2007/0295602	A1	12/2007	Tiller et al.
2007/0170372	A1	7/2007	Horsky	2007/0298362	A1	12/2007	Rocha-Alvarez et al.
2007/0173071	A1	7/2007	Afzali-Ardakani et al.	2007/0298565	A1	12/2007	Nieh et al.
2007/0175393	A1	8/2007	Nishimura et al.	2008/0003425	A1	1/2008	Spencer et al.
2007/0175397	A1	8/2007	Tomiyasu et al.	2008/0003824	A1	1/2008	Padhi et al.
2007/0178235	A1	8/2007	Yamada et al.	2008/0003838	A1	1/2008	Haukka et al.
2007/0181066	A1	8/2007	Cadwell et al.	2008/0006208	A1	1/2008	Ueno et al.
2007/0184179	A1	8/2007	Waghray et al.	2008/0018004	A1	1/2008	Steidl
2007/0186849	A1	8/2007	Furuya	2008/0020591	A1	1/2008	Balseanu et al.
2007/0186952	A1	8/2007	Honda et al.	2008/0020593	A1	1/2008	Wang et al.
2007/0187362	A1	8/2007	Nakagawa et al.	2008/0023436	A1	1/2008	Gros-Jean et al.
2007/0187363	A1	8/2007	Oka et al.	2008/0026162	A1	1/2008	Dickey et al.
2007/0190266	A1	8/2007	Fu et al.	2008/0026574	A1	1/2008	Brcka
2007/0190362	A1	8/2007	Weidman	2008/0026597	A1	1/2008	Munro et al.
2007/0190744	A1	8/2007	Hiraiwa et al.	2008/0029790	A1	2/2008	Ahn et al.
2007/0190782	A1	8/2007	Park	2008/0031708	A1	2/2008	Bonora et al.
2007/0199510	A1	8/2007	Weiner et al.	2008/0032514	A1	2/2008	Sano et al.
2007/0202678	A1	8/2007	Plombon et al.	2008/0035055	A1	2/2008	Dip et al.
2007/0205788	A1	9/2007	Natsuhara et al.	2008/0035306	A1	2/2008	White et al.
2007/0207275	A1	9/2007	Nowak et al.	2008/0035607	A1	2/2008	O'Hara et al.
2007/0209588	A1	9/2007	Li et al.	2008/0036354	A1	2/2008	Letz et al.
2007/0209590	A1	9/2007	Li	2008/0038485	A1	2/2008	Fukazawa et al.
2007/0210890	A1	9/2007	Hsu et al.	2008/0038934	A1	2/2008	Vrtis et al.
2007/0212484	A1	9/2007	Li	2008/0042165	A1	2/2008	Sugizaki
2007/0212811	A1	9/2007	Hanawa et al.	2008/0042192	A1	2/2008	Park et al.
2007/0212827	A1	9/2007	Girotra et al.	2008/0043803	A1	2/2008	Bandoh
2007/0215048	A1	9/2007	Suzuki et al.	2008/0044932	A1	2/2008	Samoilov et al.
2007/0215278	A1	9/2007	Furuse et al.	2008/0044938	A1	2/2008	England et al.
2007/0215580	A1	9/2007	Koshiishi et al.	2008/0050536	A1	2/2008	Aing et al.
2007/0218200	A1	9/2007	Suzuki et al.	2008/0050538	A1	2/2008	Hirata
2007/0218705	A1	9/2007	Matsuki et al.	2008/0054332	A1	3/2008	Kim et al.
2007/0222131	A1	9/2007	Fukumoto et al.	2008/0054813	A1	3/2008	Espiau et al.
2007/0224777	A1	9/2007	Hamelin	2008/0056860	A1	3/2008	Natume
2007/0224833	A1	9/2007	Morisada et al.	2008/0057659	A1	3/2008	Forbes et al.
2007/0227665	A1	10/2007	Matsumoto et al.	2008/0061667	A1	3/2008	Gaertner et al.
2007/0231488	A1	10/2007	Von Kaenel	2008/0063798	A1	3/2008	Kher et al.
2007/0232031	A1	10/2007	Singh et al.	2008/0066778	A1	3/2008	Matsushita et al.
2007/0232071	A1	10/2007	Balseanu et al.	2008/0067146	A1	3/2008	Onishi et al.
2007/0232501	A1	10/2007	Tomomura	2008/0069951	A1	3/2008	Chacin et al.
2007/0234955	A1	10/2007	Suzuki et al.	2008/0069955	A1	3/2008	Hong et al.
2007/0237697	A1	10/2007	Clark	2008/0072821	A1	3/2008	Dalton et al.
2007/0237698	A1	10/2007	Clark	2008/0075562	A1	3/2008	Maria et al.
2007/0237699	A1	10/2007	Clark	2008/0075838	A1	3/2008	Inoue et al.
2007/0238305	A1	10/2007	Delgadino et al.	2008/0075881	A1	3/2008	Won et al.
				2008/0076070	A1	3/2008	Koh et al.
				2008/0076266	A1	3/2008	Fukazawa et al.
				2008/0076281	A1	3/2008	Ciancanelli et al.
				2008/0081104	A1	4/2008	Hasebe et al.

(56)

References Cited

U.S. PATENT DOCUMENTS

2008/0081113	A1	4/2008	Clark	2008/0205483	A1	8/2008	Rempe et al.
2008/0081121	A1	4/2008	Morita et al.	2008/0210162	A1	9/2008	Yonebayashi
2008/0083710	A1	4/2008	Chen et al.	2008/0210278	A1	9/2008	Orii et al.
2008/0083948	A1	4/2008	Lin et al.	2008/0211423	A1	9/2008	Shinmen et al.
2008/0085226	A1	4/2008	Fondurulia et al.	2008/0211526	A1	9/2008	Shinma
2008/0085610	A1	4/2008	Wang et al.	2008/0213696	A1	9/2008	Meeus et al.
2008/0087218	A1	4/2008	Shimada et al.	2008/0214003	A1	9/2008	Xia et al.
2008/0087642	A1	4/2008	Sawin et al.	2008/0216077	A1	9/2008	Emani et al.
2008/0087890	A1	4/2008	Ahn et al.	2008/0216742	A1	9/2008	Takebayashi
2008/0092815	A1	4/2008	Chen et al.	2008/0216958	A1	9/2008	Goto et al.
2008/0092821	A1	4/2008	Otsuka et al.	2008/0220619	A1	9/2008	Matsushita et al.
2008/0099147	A1	5/2008	Myo et al.	2008/0223130	A1	9/2008	Snell et al.
2008/0102203	A1	5/2008	Wu	2008/0223725	A1	9/2008	Han et al.
2008/0102205	A1	5/2008	Barry et al.	2008/0224240	A1	9/2008	Ahn et al.
2008/0102208	A1	5/2008	Wu et al.	2008/0228306	A1	9/2008	Yetter et al.
2008/0102603	A1	5/2008	Kobayashi et al.	2008/0229811	A1	9/2008	Zhao et al.
2008/0102630	A1	5/2008	Saito	2008/0230352	A1	9/2008	Hirata
2008/0105276	A1	5/2008	Yeh et al.	2008/0230371	A1	9/2008	McHugh
2008/0110401	A1	5/2008	Fujikawa et al.	2008/0233288	A1	9/2008	Clark
2008/0110568	A1	5/2008	Son et al.	2008/0237572	A1	10/2008	Chui et al.
2008/0113094	A1	5/2008	Casper	2008/0237604	A1	10/2008	Alshareef et al.
2008/0113096	A1	5/2008	Mahajani	2008/0241052	A1	10/2008	Hooper et al.
2008/0113097	A1	5/2008	Mahajani et al.	2008/0241384	A1	10/2008	Jeong
2008/0118334	A1	5/2008	Bonora	2008/0241387	A1	10/2008	Keto
2008/0121177	A1	5/2008	Bang et al.	2008/0242116	A1	10/2008	Clark
2008/0121626	A1	5/2008	Thomas et al.	2008/0246101	A1	10/2008	Li et al.
2008/0121962	A1	5/2008	Forbes et al.	2008/0248310	A1	10/2008	Kim et al.
2008/0124197	A1	5/2008	van der Meulen et al.	2008/0248597	A1	10/2008	Qin et al.
2008/0124908	A1	5/2008	Forbes et al.	2008/0257102	A1	10/2008	Packer
2008/0124945	A1	5/2008	Miya et al.	2008/0257494	A1	10/2008	Hayashi et al.
2008/0124946	A1	5/2008	Xiao et al.	2008/0260345	A1	10/2008	Mertesdorf et al.
2008/0128726	A1	6/2008	Sakata et al.	2008/0260963	A1	10/2008	Yoon et al.
2008/0129209	A1	6/2008	Deakins et al.	2008/0261405	A1	10/2008	Yang et al.
2008/0132046	A1	6/2008	Walther	2008/0261413	A1	10/2008	Mahajani
2008/0133154	A1	6/2008	Krauss et al.	2008/0264337	A1	10/2008	Sano et al.
2008/0134887	A1	6/2008	Sherer	2008/0264443	A1	10/2008	Shrinivasan et al.
2008/0135516	A1	6/2008	Yokogawa et al.	2008/0267598	A1	10/2008	Nakamura
2008/0135936	A1	6/2008	Nakajima	2008/0268171	A1	10/2008	Ma et al.
2008/0142046	A1	6/2008	Johnson et al.	2008/0268635	A1	10/2008	Yu et al.
2008/0142483	A1	6/2008	Hua	2008/0272424	A1	11/2008	Kim et al.
2008/0146033	A1	6/2008	Park	2008/0274369	A1	11/2008	Lee et al.
2008/0149031	A1	6/2008	Chu et al.	2008/0276864	A1	11/2008	Koelmel et al.
2008/0149593	A1	6/2008	Bai et al.	2008/0277647	A1	11/2008	Kouvetakis et al.
2008/0152463	A1	6/2008	Chidambaram et al.	2008/0277656	A1	11/2008	Park et al.
2008/0153308	A1	6/2008	Ogawa et al.	2008/0277715	A1	11/2008	Ohmi et al.
2008/0153311	A1	6/2008	Padhi et al.	2008/0282970	A1	11/2008	Heys et al.
2008/0156769	A1	7/2008	Weiner et al.	2008/0283962	A1	11/2008	Dyer
2008/0157157	A1	7/2008	Tonomura	2008/0286463	A1	11/2008	Tiner et al.
2008/0157212	A1	7/2008	Lavoie et al.	2008/0289574	A1	11/2008	Jacobs et al.
2008/0157365	A1	7/2008	Ott et al.	2008/0289650	A1	11/2008	Arena
2008/0173237	A1	7/2008	Collins	2008/0289767	A1	11/2008	Tandou et al.
2008/0173238	A1	7/2008	Nakashima et al.	2008/0291964	A1	11/2008	Shrimpling
2008/0173240	A1	7/2008	Furukawahara	2008/0293198	A1	11/2008	Kojima et al.
2008/0173326	A1	7/2008	Gu et al.	2008/0295872	A1	12/2008	Riker et al.
2008/0176335	A1	7/2008	Alberti et al.	2008/0298945	A1	12/2008	Cox
2008/0176375	A1	7/2008	Erben et al.	2008/0299326	A1	12/2008	Fukazawa
2008/0176412	A1	7/2008	Komeda	2008/0299758	A1	12/2008	Harada et al.
2008/0178608	A1	7/2008	Tandou et al.	2008/0302303	A1	12/2008	Choi et al.
2008/0178805	A1	7/2008	Paterson et al.	2008/0303744	A1	12/2008	Hirayama et al.
2008/0179104	A1	7/2008	Zhang	2008/0305014	A1	12/2008	Honda
2008/0179291	A1	7/2008	Collins et al.	2008/0305246	A1	12/2008	Choi et al.
2008/0179715	A1	7/2008	Coppa	2008/0305443	A1	12/2008	Nakamura
2008/0182075	A1	7/2008	Chopra	2008/0314319	A1	12/2008	Hamano et al.
2008/0182390	A1	7/2008	Lemmi et al.	2008/0314892	A1	12/2008	Graham
2008/0182411	A1	7/2008	Elers	2008/0315292	A1	12/2008	Ji et al.
2008/0191193	A1	8/2008	Li et al.	2008/0317972	A1	12/2008	Hendriks
2008/0193643	A1	8/2008	Dip	2009/0000550	A1	1/2009	Tran et al.
2008/0194088	A1	8/2008	Srinivasan et al.	2009/0000551	A1	1/2009	Choi et al.
2008/0194105	A1	8/2008	Dominguez et al.	2009/0000769	A1	1/2009	Lin et al.
2008/0194113	A1	8/2008	Kim et al.	2009/0004875	A1	1/2009	Shen et al.
2008/0194169	A1	8/2008	Sterling et al.	2009/0011145	A1	1/2009	Yun
2008/0199977	A1	8/2008	Weigel et al.	2009/0011150	A1	1/2009	Jeon et al.
2008/0202416	A1	8/2008	Provencher	2009/0011608	A1	1/2009	Nabatame
2008/0202689	A1	8/2008	Kim	2009/0014879	A1	1/2009	Park et al.
2008/0203487	A1	8/2008	Hohage et al.	2009/0017227	A1	1/2009	Fu et al.
				2009/0017631	A1	1/2009	Bencher
				2009/0017733	A1	1/2009	Takahashi et al.
				2009/0020072	A1	1/2009	Mizunaga et al.
				2009/0023229	A1	1/2009	Matsushita

(56)

References Cited

U.S. PATENT DOCUMENTS

2009/0029503	A1	1/2009	Arai	2009/0156015	A1	6/2009	Park et al.
2009/0029528	A1	1/2009	Sanchez et al.	2009/0156017	A1	6/2009	Fukazawa et al.
2009/0029564	A1	1/2009	Yamashita et al.	2009/0159000	A1	6/2009	Aggarwal et al.
2009/0031954	A1	2/2009	Nishikido et al.	2009/0159002	A1	6/2009	Bera et al.
2009/0033907	A1	2/2009	Watson	2009/0159424	A1	6/2009	Liu et al.
2009/0035463	A1	2/2009	Dip	2009/0162647	A1	6/2009	Sun et al.
2009/0035584	A1	2/2009	Tran et al.	2009/0162996	A1	6/2009	Ramaswamy et al.
2009/0035927	A1	2/2009	Olsen et al.	2009/0163038	A1	6/2009	Miyoshi
2009/0035946	A1	2/2009	Pierreux et al.	2009/0165715	A1	7/2009	Oh
2009/0035947	A1	2/2009	Horii	2009/0165721	A1	7/2009	Pitney et al.
2009/0036292	A1	2/2009	Sun et al.	2009/0165722	A1	7/2009	Ha
2009/0039475	A1	2/2009	Shioya	2009/0166616	A1	7/2009	Uchiyama
2009/0041952	A1	2/2009	Yoon et al.	2009/0176018	A1	7/2009	Zou et al.
2009/0041984	A1	2/2009	Mayers et al.	2009/0179365	A1	7/2009	Lerner et al.
2009/0042344	A1	2/2009	Ye et al.	2009/0183520	A1	7/2009	Yukimoto
2009/0042408	A1	2/2009	Maeda	2009/0186479	A1	7/2009	Okabe et al.
2009/0045749	A1	2/2009	Ganachev et al.	2009/0186571	A1	7/2009	Haro
2009/0045829	A1	2/2009	Awazu	2009/0194233	A1	8/2009	Tamura et al.
2009/0047426	A1	2/2009	Park et al.	2009/0197015	A1	8/2009	Kudela et al.
2009/0047433	A1	2/2009	Kim et al.	2009/0197411	A1	8/2009	Dussarrat et al.
2009/0047447	A1	2/2009	Sawin et al.	2009/0200494	A1	8/2009	Hatem
2009/0050621	A1	2/2009	Awazu	2009/0200547	A1	8/2009	Griffin et al.
2009/0052498	A1	2/2009	Halpin et al.	2009/0204403	A1	8/2009	Hollander et al.
2009/0053023	A1	2/2009	Wakabayashi	2009/0206056	A1	8/2009	Xu
2009/0053900	A1	2/2009	Nozawa et al.	2009/0209081	A1	8/2009	Matero
2009/0053906	A1	2/2009	Miya et al.	2009/0211523	A1	8/2009	Kuppurao et al.
2009/0056112	A1	3/2009	Kobayashi	2009/0211525	A1	8/2009	Sarigiannis et al.
2009/0056629	A1	3/2009	Katz et al.	2009/0214825	A1	8/2009	Sun et al.
2009/0057269	A1	3/2009	Katz et al.	2009/0217871	A1	9/2009	Kim et al.
2009/0060480	A1	3/2009	Herchen	2009/0221149	A1	9/2009	Hammond et al.
2009/0061083	A1	3/2009	Chiang et al.	2009/0221151	A1	9/2009	Honda et al.
2009/0061644	A1	3/2009	Chiang et al.	2009/0223441	A1	9/2009	Arena et al.
2009/0061647	A1	3/2009	Mallick et al.	2009/0227094	A1	9/2009	Bateman
2009/0075490	A1	3/2009	Dussarrat	2009/0230211	A1	9/2009	Kobayashi et al.
2009/0075491	A1	3/2009	Liu et al.	2009/0232985	A1	9/2009	Dussarrat et al.
2009/0080136	A1	3/2009	Nagayama et al.	2009/0236014	A1	9/2009	Wilson
2009/0081879	A1	3/2009	Sukekawa et al.	2009/0236276	A1	9/2009	Kurth et al.
2009/0084317	A1	4/2009	Wu	2009/0236315	A1	9/2009	Willwerth et al.
2009/0085156	A1	4/2009	Dewey et al.	2009/0239386	A1	9/2009	Suzaki et al.
2009/0087585	A1	4/2009	Lee et al.	2009/0242130	A1	10/2009	Tian et al.
2009/0087964	A1	4/2009	Maeda et al.	2009/0242957	A1	10/2009	Ma et al.
2009/0087967	A1	4/2009	Todd	2009/0246374	A1	10/2009	Vukovic
2009/0090382	A1	4/2009	Morisada	2009/0246399	A1	10/2009	Goundar
2009/0093080	A1	4/2009	Choi et al.	2009/0246971	A1	10/2009	Reid et al.
2009/0093094	A1	4/2009	Ye et al.	2009/0250004	A1	10/2009	Yamada et al.
2009/0093100	A1	4/2009	Xia et al.	2009/0250955	A1	10/2009	Aoki
2009/0095221	A1	4/2009	Tam et al.	2009/0255901	A1	10/2009	Okita
2009/0104351	A1	4/2009	Kakegawa	2009/0256127	A1	10/2009	Feist et al.
2009/0104594	A1	4/2009	Webb	2009/0261331	A1	10/2009	Yang et al.
2009/0104789	A1	4/2009	Mallick et al.	2009/0266296	A1	10/2009	Tachibana et al.
2009/0107404	A1	4/2009	Ogliari et al.	2009/0267135	A1	10/2009	Tanaka et al.
2009/0108308	A1	4/2009	Yang et al.	2009/0267225	A1	10/2009	Eguchi
2009/0112458	A1	4/2009	Nakai	2009/0269506	A1	10/2009	Okura et al.
2009/0115064	A1	5/2009	Sandhu et al.	2009/0269507	A1	10/2009	Yu et al.
2009/0116936	A1	5/2009	Marubayashi et al.	2009/0269941	A1	10/2009	Raisanen
2009/0117717	A1	5/2009	Tomasini et al.	2009/0275205	A1	11/2009	Kiehlbauch et al.
2009/0117723	A1	5/2009	Kim et al.	2009/0275210	A1	11/2009	Shanker et al.
2009/0117746	A1	5/2009	Masuda	2009/0277510	A1	11/2009	Shikata
2009/0120580	A1	5/2009	Kagoshima et al.	2009/0277874	A1	11/2009	Rui et al.
2009/0122293	A1	5/2009	Shibazaki	2009/0280248	A1	11/2009	Goodman et al.
2009/0122458	A1	5/2009	Lischer et al.	2009/0283041	A1	11/2009	Tomiyasu et al.
2009/0124131	A1	5/2009	Breunsbach et al.	2009/0283217	A1	11/2009	Lubomirsky et al.
2009/0130331	A1	5/2009	Asai	2009/0284156	A1	11/2009	Banna et al.
2009/0130859	A1	5/2009	Itatani et al.	2009/0286400	A1	11/2009	Heo et al.
2009/0136665	A1	5/2009	Choi et al.	2009/0286402	A1	11/2009	Xia et al.
2009/0136668	A1	5/2009	Gregg et al.	2009/0286405	A1	11/2009	Okesaku et al.
2009/0136683	A1	5/2009	Fukasawa et al.	2009/0289300	A1	11/2009	Sasaki et al.
2009/0137055	A1	5/2009	Bognar	2009/0291208	A1	11/2009	Gordon et al.
2009/0139657	A1	6/2009	Lee et al.	2009/0291566	A1	11/2009	Ueno et al.
2009/0142905	A1	6/2009	Yamazaki	2009/0297696	A1	12/2009	Pore et al.
2009/0142933	A1	6/2009	Yajima et al.	2009/0297710	A1	12/2009	Lindfors
2009/0142935	A1	6/2009	Fukazawa et al.	2009/0297731	A1	12/2009	Goundar
2009/0146322	A1	6/2009	Weling et al.	2009/0298257	A1	12/2009	Lee et al.
2009/0147819	A1	6/2009	Goodman et al.	2009/0302002	A1	12/2009	Collins et al.
2009/0155488	A1	6/2009	Nakano et al.	2009/0302434	A1	12/2009	Pallem et al.
				2009/0304558	A1	12/2009	Patton
				2009/0308315	A1	12/2009	de Ridder
				2009/0308425	A1	12/2009	Yednak
				2009/0311857	A1	12/2009	Todd et al.

(56)

References Cited

U.S. PATENT DOCUMENTS

2009/0314208	A1	12/2009	Zhou et al.	2010/0119439	A1	5/2010	Shindou
2009/0314309	A1	12/2009	Sankarakrishnan et al.	2010/0119727	A1	5/2010	Takagi
2009/0315093	A1	12/2009	Li et al.	2010/0119844	A1	5/2010	Sun et al.
2009/0317214	A1	12/2009	Hsiao et al.	2010/0120261	A1	5/2010	Kim et al.
2009/0320754	A1	12/2009	Oya	2010/0121100	A1	5/2010	Shay
2009/0320881	A1	12/2009	Aitchison	2010/0124610	A1	5/2010	Aikawa et al.
2009/0324971	A1	12/2009	De Vries et al.	2010/0124618	A1	5/2010	Kobayashi et al.
2009/0324989	A1	12/2009	Witz et al.	2010/0124621	A1	5/2010	Kobayashi et al.
2009/0325391	A1	12/2009	De Vusser et al.	2010/0126415	A1	5/2010	Ishino et al.
2009/0325469	A1	12/2009	Koo et al.	2010/0126539	A1	5/2010	Lee et al.
2010/0000608	A1	1/2010	Goto et al.	2010/0126605	A1	5/2010	Stones
2010/0001409	A1	1/2010	Humbert et al.	2010/0126666	A1	5/2010	Tandou et al.
2010/0003406	A1	1/2010	Lam et al.	2010/0129548	A1	5/2010	Sneh
2010/0006031	A1	1/2010	Choi et al.	2010/0129670	A1	5/2010	Sun et al.
2010/0006923	A1	1/2010	Fujitsuka	2010/0129990	A1	5/2010	Nishizawa et al.
2010/0008656	A1	1/2010	Sorabji et al.	2010/0130015	A1	5/2010	Nakajima et al.
2010/0012036	A1	1/2010	Silva et al.	2010/0130017	A1	5/2010	Luo et al.
2010/0012153	A1	1/2010	Shigemoto et al.	2010/0130105	A1	5/2010	Lee
2010/0014479	A1	1/2010	Kim	2010/0133255	A1	6/2010	Bahng et al.
2010/0015813	A1	1/2010	McGinnis et al.	2010/0134023	A1	6/2010	Mills
2010/0018460	A1	1/2010	Singh et al.	2010/0136216	A1	6/2010	Tsuei et al.
2010/0018913	A1	1/2010	Blum	2010/0140221	A1	6/2010	Kikuchi et al.
2010/0022097	A1	1/2010	Yamoto et al.	2010/0140684	A1	6/2010	Ozawa
2010/0024727	A1	2/2010	Kim et al.	2010/0143609	A1	6/2010	Fukazawa et al.
2010/0024872	A1	2/2010	Kishimoto	2010/0144150	A1	6/2010	Sills et al.
2010/0025766	A1	2/2010	Nuttinck et al.	2010/0144162	A1	6/2010	Lee et al.
2010/0025796	A1	2/2010	Dabiran	2010/0144968	A1	6/2010	Lee et al.
2010/0031884	A1	2/2010	Aggarwal et al.	2010/0145547	A1	6/2010	Darabnia et al.
2010/0032587	A1	2/2010	Hosch et al.	2010/0147396	A1	6/2010	Yamagishi et al.
2010/0032842	A1	2/2010	Herdt et al.	2010/0151206	A1	6/2010	Wu et al.
2010/0034719	A1	2/2010	Dussarrat et al.	2010/0159638	A1	6/2010	Jeong
2010/0038687	A1	2/2010	Klaus et al.	2010/0159707	A1	6/2010	Huang et al.
2010/0040441	A1	2/2010	Obikane	2010/0162752	A1	7/2010	Tabata et al.
2010/0041179	A1	2/2010	Lee	2010/0162956	A1	7/2010	Murakami et al.
2010/0041243	A1	2/2010	Cheng et al.	2010/0163187	A1	7/2010	Yokogawa et al.
2010/0046321	A1	2/2010	McLaughlin et al.	2010/0163524	A1	7/2010	Arai
2010/0050943	A1	3/2010	Kato et al.	2010/0163937	A1	7/2010	Clendenning
2010/0051584	A1	3/2010	Okita et al.	2010/0166630	A1	7/2010	Gu et al.
2010/0051597	A1	3/2010	Morita et al.	2010/0168404	A1	7/2010	Girolami et al.
2010/0055312	A1	3/2010	Kato et al.	2010/0170441	A1	7/2010	Won et al.
2010/0055316	A1	3/2010	Honma	2010/0170868	A1	7/2010	Lin et al.
2010/0055318	A1	3/2010	Volf et al.	2010/0173432	A1	7/2010	White et al.
2010/0055442	A1	3/2010	Kellock	2010/0178137	A1	7/2010	Chintalapati et al.
2010/0055898	A1	3/2010	Chang et al.	2010/0178423	A1	7/2010	Shimizu et al.
2010/0058984	A1	3/2010	Marubayashi	2010/0180819	A1	7/2010	Hatanaka et al.
2010/0065758	A1	3/2010	Liu et al.	2010/0183825	A1	7/2010	Becker et al.
2010/0068009	A1	3/2010	Kimura	2010/0184302	A1	7/2010	Lee et al.
2010/0068383	A1	3/2010	Kato et al.	2010/0186669	A1	7/2010	Shin et al.
2010/0068414	A1	3/2010	Takahashi et al.	2010/0189923	A1	7/2010	Goundar et al.
2010/0068891	A1	3/2010	Hatanaka et al.	2010/0193501	A1	8/2010	Zucker et al.
2010/0075037	A1	3/2010	Marsh et al.	2010/0193955	A1	8/2010	Milligan et al.
2010/0075488	A1	3/2010	Collins et al.	2010/0195392	A1	8/2010	Freeman
2010/0075507	A1	3/2010	Chang et al.	2010/0195690	A1	8/2010	Moench et al.
2010/0078601	A1	4/2010	Pallem et al.	2010/0197107	A1	8/2010	Matsuzaki
2010/0078746	A1	4/2010	Jung	2010/0202860	A1	8/2010	Reed
2010/0081094	A1	4/2010	Hasebe et al.	2010/0203242	A1	8/2010	Borden
2010/0081293	A1	4/2010	Mallick et al.	2010/0206767	A1	8/2010	Odashima et al.
2010/0086703	A1	4/2010	Mangum et al.	2010/0209598	A1	8/2010	Xu et al.
2010/0087069	A1	4/2010	Miya et al.	2010/0210108	A1	8/2010	Ishizaka et al.
2010/0089320	A1	4/2010	Kim	2010/0219757	A1	9/2010	Benzerrouk et al.
2010/0089870	A1	4/2010	Hiroshima et al.	2010/0221452	A1	9/2010	Kang
2010/0090149	A1	4/2010	Thompson et al.	2010/0224130	A1	9/2010	Smith et al.
2010/0092679	A1	4/2010	Lee et al.	2010/0227458	A1	9/2010	Chung et al.
2010/0092696	A1	4/2010	Shinriki	2010/0229795	A1	9/2010	Tanabe
2010/0093187	A1	4/2010	Lee et al.	2010/0229965	A1	9/2010	Kashima et al.
2010/0094430	A1	4/2010	Krumdieck	2010/0230051	A1	9/2010	Iizuka
2010/0098862	A1	4/2010	Xu et al.	2010/0230863	A1	9/2010	Moench et al.
2010/0101728	A1	4/2010	Iwasaki	2010/0233885	A1	9/2010	Kushibiki et al.
2010/0102417	A1	4/2010	Ganguli et al.	2010/0233886	A1	9/2010	Yang et al.
2010/0105936	A1	4/2010	Tada et al.	2010/0236691	A1	9/2010	Yamazaki
2010/0111648	A1	5/2010	Tamura et al.	2010/0243166	A1	9/2010	Hayashi et al.
2010/0112496	A1	5/2010	Nakajima et al.	2010/0244688	A1	9/2010	Braun et al.
2010/0116207	A1	5/2010	Givens	2010/0248465	A1	9/2010	Yi et al.
2010/0116208	A1	5/2010	Sangam	2010/0252434	A1	10/2010	Roy
2010/0116209	A1	5/2010	Kato	2010/0255196	A1	10/2010	Geisler et al.
				2010/0255198	A1	10/2010	Cleary et al.
				2010/0255218	A1	10/2010	Oka et al.
				2010/0255625	A1	10/2010	De Vries
				2010/0255658	A1	10/2010	Aggarwal

(56)

References Cited

U.S. PATENT DOCUMENTS

2010/0258809	A1	10/2010	Muller	2011/0108741	A1	5/2011	Ingram
2010/0259152	A1	10/2010	Yasuda et al.	2011/0108929	A1	5/2011	Meng
2010/0266765	A1	10/2010	White et al.	2011/0114261	A1	5/2011	Matsumoto et al.
2010/0267224	A1	10/2010	Choi et al.	2011/0114601	A1	5/2011	Lubomirsky et al.
2010/0267248	A1	10/2010	Ma et al.	2011/0115378	A1	5/2011	Lubomirsky et al.
2010/0270675	A1	10/2010	Harada	2011/0117490	A1	5/2011	Bae et al.
2010/0246630	A1	11/2010	Kaszynski et al.	2011/0117492	A1	5/2011	Yamada et al.
2010/0275846	A1	11/2010	Kitagawa	2011/0117728	A1	5/2011	Su et al.
2010/0279008	A1	11/2010	Takagi	2011/0117732	A1	5/2011	Bauer et al.
2010/0279512	A1	11/2010	Udea et al.	2011/0117737	A1	5/2011	Agarwala et al.
2010/0282163	A1	11/2010	Aggarwal et al.	2011/0117749	A1	5/2011	Sheu
2010/0282170	A1	11/2010	Nishizawa	2011/0121503	A1	5/2011	Burrows et al.
2010/0282645	A1	11/2010	Wang	2011/0121736	A1	5/2011	Hirayama et al.
2010/0285237	A1	11/2010	Ditizio et al.	2011/0124196	A1	5/2011	Lee
2010/0285319	A1	11/2010	Kwak et al.	2011/0127702	A1	6/2011	Gautam et al.
2010/0294199	A1	11/2010	Tran et al.	2011/0132542	A1	6/2011	Iizuka
2010/0297391	A1	11/2010	Kley	2011/0135842	A1	6/2011	Faguet et al.
2010/0301752	A1	12/2010	Bakre et al.	2011/0139272	A1	6/2011	Matsumoto et al.
2010/0304047	A1	12/2010	Yang et al.	2011/0139748	A1	6/2011	Donnelly et al.
2010/0307415	A1	12/2010	Shero et al.	2011/0140172	A1	6/2011	Chu
2010/0317177	A1	12/2010	Huang et al.	2011/0140173	A1	6/2011	Ramdani
2010/0317198	A1	12/2010	Antonelli	2011/0143032	A1	6/2011	Vrtis et al.
2010/0322604	A1	12/2010	Fondurulia et al.	2011/0143461	A1	6/2011	Fish et al.
2010/0322822	A1	12/2010	Fritchie et al.	2011/0155264	A1	6/2011	Minami et al.
2010/0326358	A1	12/2010	Choi	2011/0155322	A1	6/2011	Himori et al.
2011/0000619	A1	1/2011	Suh	2011/0159200	A1	6/2011	Kogure
2011/0003087	A1	1/2011	Soininen et al.	2011/0159202	A1	6/2011	Matsushita
2011/0003450	A1	1/2011	Lee et al.	2011/0159673	A1	6/2011	Hanawa et al.
2011/0005684	A1	1/2011	Hayami et al.	2011/0159680	A1	6/2011	Yoo
2011/0006402	A1	1/2011	Zhou	2011/0168330	A1	7/2011	Sakaue et al.
2011/0006406	A1	1/2011	Urbanowicz et al.	2011/0171380	A1	7/2011	Higashi et al.
2011/0008950	A1	1/2011	Xu	2011/0171775	A1	7/2011	Yamamoto et al.
2011/0014359	A1	1/2011	Hashim	2011/0175011	A1	7/2011	Ehrne et al.
2011/0014795	A1	1/2011	Lee	2011/0177648	A1	7/2011	Tanner et al.
2011/0017139	A1	1/2011	Chiang et al.	2011/0180233	A1	7/2011	Bera et al.
2011/0021033	A1	1/2011	Ikeuchi et al.	2011/0183079	A1	7/2011	Jackson et al.
2011/0027725	A1	2/2011	Tsutsumi et al.	2011/0183269	A1	7/2011	Zhu
2011/0027999	A1	2/2011	Sparks et al.	2011/0183527	A1	7/2011	Cho
2011/0031562	A1	2/2011	Lin et al.	2011/0185969	A1	8/2011	Yang
2011/0034039	A1	2/2011	Liang et al.	2011/0186984	A1	8/2011	Saito et al.
2011/0039419	A1	2/2011	Date et al.	2011/0192820	A1	8/2011	Yeom et al.
2011/0041764	A1	2/2011	Webb et al.	2011/0195574	A1	8/2011	Blasco et al.
2011/0042200	A1	2/2011	Wilby	2011/0198034	A1	8/2011	Sun et al.
2011/0045610	A1	2/2011	van Schravendijk	2011/0198417	A1	8/2011	Detmar et al.
2011/0045676	A1	2/2011	Park et al.	2011/0198736	A1	8/2011	Shero et al.
2011/0046314	A1	2/2011	Klipp et al.	2011/0204025	A1	8/2011	Tahara
2011/0048642	A1	3/2011	Mihara et al.	2011/0207332	A1	8/2011	Liu et al.
2011/0048769	A1	3/2011	Fujiwara	2011/0210468	A1	9/2011	Shannon et al.
2011/0049100	A1	3/2011	Han et al.	2011/0212625	A1	9/2011	Toyoda et al.
2011/0052833	A1	3/2011	Hanawa et al.	2011/0217838	A1	9/2011	Hsieh et al.
2011/0053383	A1	3/2011	Shero et al.	2011/0220874	A1	9/2011	Hanrath
2011/0056513	A1	3/2011	Hombach et al.	2011/0223334	A1	9/2011	Yudovsky et al.
2011/0056626	A1	3/2011	Brown et al.	2011/0226421	A1	9/2011	Hayashi
2011/0057248	A1	3/2011	Ma et al.	2011/0232678	A1	9/2011	Shih et al.
2011/0061810	A1	3/2011	Ganguly et al.	2011/0236201	A1	9/2011	Shende
2011/0065289	A1	3/2011	Asai	2011/0236594	A1	9/2011	Haverkamp et al.
2011/0067522	A1	3/2011	Lai	2011/0236600	A1	9/2011	Fox et al.
2011/0070380	A1	3/2011	Shero et al.	2011/0237040	A1	9/2011	Ng et al.
2011/0070740	A1	3/2011	Bettencourt et al.	2011/0237082	A1	9/2011	Nakajima et al.
2011/0076401	A1	3/2011	Chao et al.	2011/0239936	A1	10/2011	Suzaki et al.
2011/0081519	A1	4/2011	Dillingh	2011/0239940	A1	10/2011	Benvenuti et al.
2011/0083496	A1	4/2011	Lin et al.	2011/0244673	A1	10/2011	Cho et al.
2011/0086516	A1	4/2011	Lee et al.	2011/0253044	A1	10/2011	Tam et al.
2011/0089166	A1	4/2011	Hunter et al.	2011/0254052	A1	10/2011	Kouvetakis
2011/0089419	A1	4/2011	Yamazaki et al.	2011/0256675	A1	10/2011	Avouris
2011/0089469	A1	4/2011	Merckling	2011/0256692	A1	10/2011	Tam et al.
2011/0091650	A1	4/2011	Noguchi et al.	2011/0256724	A1	10/2011	Chandrasekharan et al.
2011/0092077	A1	4/2011	Xu et al.	2011/0256726	A1	10/2011	Lavoie et al.
2011/0097901	A1	4/2011	Banna et al.	2011/0256727	A1	10/2011	Beynet et al.
2011/0098841	A1	4/2011	Tsuda	2011/0256734	A1	10/2011	Hausmann et al.
2011/0100489	A1	5/2011	Orito et al.	2011/0259519	A1	10/2011	Kenworthy et al.
2011/0104395	A1	5/2011	Kumagai et al.	2011/0262642	A1	10/2011	Xiao et al.
2011/0107512	A1	5/2011	Gilbert	2011/0263107	A1	10/2011	Chung et al.
2011/0108194	A1	5/2011	Yoshioka et al.	2011/0263115	A1	10/2011	Ganguli et al.
2011/0108424	A1	5/2011	Puget et al.	2011/0264250	A1	10/2011	Nishimura et al.
				2011/0265549	A1	11/2011	Cruse et al.
				2011/0265715	A1	11/2011	Keller
				2011/0265725	A1	11/2011	Tsuji
				2011/0265951	A1	11/2011	Xu et al.

(56)

References Cited

U.S. PATENT DOCUMENTS

2011/0266611	A1	11/2011	Kim et al.	2012/0103522	A1	5/2012	Hohenwarter
2011/0269314	A1	11/2011	Lee et al.	2012/0103939	A1	5/2012	Wu et al.
2011/0275018	A1	11/2011	Matteo et al.	2012/0104514	A1	5/2012	Park et al.
2011/0275166	A1	11/2011	Shero et al.	2012/0107607	A1	5/2012	Takaki et al.
2011/0277690	A1	11/2011	Rozenzon et al.	2012/0108039	A1	5/2012	Zojaji et al.
2011/0281417	A1	11/2011	Gordon et al.	2012/0108048	A1	5/2012	Lim et al.
2011/0283933	A1	11/2011	Makarov et al.	2012/0111271	A1	5/2012	Begarney et al.
2011/0286819	A1	11/2011	Shibata et al.	2012/0114877	A1	5/2012	Lee
2011/0291243	A1	12/2011	Seamons	2012/0115250	A1	5/2012	Ariga et al.
2011/0294075	A1	12/2011	Chen et al.	2012/0115257	A1	5/2012	Matsuyam et al.
2011/0294288	A1	12/2011	Lee et al.	2012/0119337	A1	5/2012	Sasaki et al.
2011/0297088	A1	12/2011	Song et al.	2012/0121823	A1	5/2012	Chhabra
2011/0298062	A1	12/2011	Ganguli et al.	2012/0122275	A1	5/2012	Koo et al.
2011/0300720	A1	12/2011	Fu	2012/0122302	A1	5/2012	Weisman et al.
2011/0305102	A1	12/2011	Berger et al.	2012/0122319	A1	5/2012	Shimizu
2011/0305856	A1	12/2011	Bonn	2012/0125258	A1	5/2012	Lee
2011/0308453	A1	12/2011	Su et al.	2012/0126300	A1	5/2012	Park et al.
2011/0308460	A1	12/2011	Hong et al.	2012/0128897	A1	5/2012	Xiao et al.
2011/0312191	A1	12/2011	Ohkura et al.	2012/0135145	A1	5/2012	Je et al.
2011/0318142	A1	12/2011	Gage et al.	2012/0139009	A1	6/2012	Ning et al.
2011/0318888	A1	12/2011	Komatsu et al.	2012/0145078	A1	6/2012	Huang et al.
2011/0318935	A1	12/2011	Oyabu et al.	2012/0146113	A1	6/2012	Suzuki et al.
2012/0001172	A1	1/2012	Shang et al.	2012/0149207	A1	6/2012	Graff
2012/0003500	A1	1/2012	Yoshida et al.	2012/0149213	A1	6/2012	Nittala
2012/0003599	A1	1/2012	Patalay et al.	2012/0156108	A1	6/2012	Fondurulia et al.
2012/0003726	A1	1/2012	Jones et al.	2012/0156890	A1	6/2012	Yim et al.
2012/0003831	A1	1/2012	Kang et al.	2012/0160172	A1	6/2012	Wamura et al.
2012/0006489	A1	1/2012	Okita	2012/0160809	A1	6/2012	Ishibashi et al.
2012/0009802	A1	1/2012	Lavoie	2012/0161126	A1	6/2012	Yamazaki
2012/0012556	A1	1/2012	Matsumoto et al.	2012/0161405	A1	6/2012	Mohn
2012/0021252	A1	1/2012	Lee	2012/0164327	A1	6/2012	Sato
2012/0024223	A1	2/2012	Torres et al.	2012/0164837	A1	6/2012	Tan et al.
2012/0024227	A1	2/2012	Takasuka et al.	2012/0164842	A1	6/2012	Watanabe
2012/0024231	A1	2/2012	Horino	2012/0164846	A1	6/2012	Ha et al.
2012/0024478	A1	2/2012	Huang et al.	2012/0170170	A1	7/2012	Gros-Jean
2012/0024479	A1	2/2012	Palagashvili et al.	2012/0171391	A1	7/2012	Won
2012/0027547	A1	2/2012	Jager et al.	2012/0171874	A1	7/2012	Thridandam et al.
2012/0028454	A1	2/2012	Swaminathan et al.	2012/0175518	A1	7/2012	Godet et al.
2012/0028469	A1	2/2012	Onizawa et al.	2012/0175751	A1	7/2012	Gatineau et al.
2012/0031333	A1	2/2012	Kurita et al.	2012/0177845	A1	7/2012	Odedra et al.
2012/0031500	A1	2/2012	Hirose et al.	2012/0180719	A1	7/2012	Inoue et al.
2012/0032311	A1	2/2012	Gates	2012/0180954	A1	7/2012	Yang et al.
2012/0033695	A1	2/2012	Hayashi et al.	2012/0183689	A1	7/2012	Suzuki et al.
2012/0034793	A1	2/2012	Narushima et al.	2012/0186521	A1	7/2012	Iwasaki et al.
2012/0036732	A1	2/2012	Varadarajan	2012/0186573	A1	7/2012	Jdira et al.
2012/0040097	A1	2/2012	Volf et al.	2012/0187083	A1	7/2012	Hashizume
2012/0040528	A1	2/2012	Kim et al.	2012/0187305	A1	7/2012	Elam et al.
2012/0043556	A1	2/2012	Dube et al.	2012/0187375	A1	7/2012	Guo et al.
2012/0043617	A1	2/2012	Nakagawa et al.	2012/0190178	A1	7/2012	Wang et al.
2012/0046421	A1	2/2012	Darling et al.	2012/0190185	A1	7/2012	Rogers
2012/0052681	A1	3/2012	Marsh	2012/0190208	A1	7/2012	Ozu et al.
2012/0055401	A1	3/2012	Tozawa	2012/0196048	A1	8/2012	Ueda
2012/0058270	A1	3/2012	Winter et al.	2012/0196242	A1	8/2012	Volfovski et al.
2012/0058630	A1	3/2012	Quinn	2012/0196450	A1	8/2012	Balseanu et al.
2012/0064690	A1	3/2012	Hirota et al.	2012/0202358	A1	8/2012	Gealy et al.
2012/0064726	A1	3/2012	Nozawa et al.	2012/0206033	A1	8/2012	Matsuyama
2012/0064764	A1	3/2012	Islam	2012/0207456	A1	8/2012	Kim et al.
2012/0068242	A1	3/2012	Shin et al.	2012/0212121	A1	8/2012	Lin
2012/0070136	A1	3/2012	Koelmel et al.	2012/0213947	A1	8/2012	Lee
2012/0070997	A1	3/2012	Larson	2012/0214318	A1	8/2012	Fukazawa et al.
2012/0073400	A1	3/2012	Wang	2012/0216743	A1	8/2012	Itoh et al.
2012/0074533	A1	3/2012	Aoyama	2012/0219735	A1	8/2012	Bakker et al.
2012/0077349	A1	3/2012	Li et al.	2012/0219824	A1	8/2012	Prolier
2012/0077350	A1	3/2012	Miya et al.	2012/0220139	A1	8/2012	Lee et al.
2012/0080756	A1	4/2012	Suzuki	2012/0222813	A1	9/2012	Pal et al.
2012/0083134	A1	4/2012	Wu et al.	2012/0222815	A1	9/2012	Sabri et al.
2012/0088031	A1	4/2012	Neel	2012/0225192	A1	9/2012	Yudovsky et al.
2012/0088369	A1	4/2012	Weidman et al.	2012/0225561	A1	9/2012	Watanabe
2012/0090704	A1	4/2012	Laverdiere et al.	2012/0231611	A1	9/2012	Gatineau et al.
2012/0091522	A1	4/2012	Ozaki et al.	2012/0231771	A1	9/2012	Marcus
2012/0094010	A1	4/2012	Sugiura et al.	2012/0232340	A1	9/2012	Levy et al.
2012/0094468	A1	4/2012	Bhatia et al.	2012/0238074	A1	9/2012	Santhanam et al.
2012/0098107	A1	4/2012	Raisanen et al.	2012/0240858	A1	9/2012	Taniyama et al.
2012/0100464	A1	4/2012	Kageyama	2012/0241089	A1	9/2012	Dielmann et al.
2012/0103264	A1	5/2012	Choi et al.	2012/0241411	A1	9/2012	Darling et al.
				2012/0244703	A1	9/2012	Nakayama et al.
				2012/0247386	A1	10/2012	Sanchez et al.
				2012/0252229	A1	10/2012	Timans et al.
				2012/0258257	A1	10/2012	Nguyen et al.

(56)

References Cited

U.S. PATENT DOCUMENTS			
2012/0263875	A1	10/2012	Brenninger et al.
2012/0263876	A1	10/2012	Haukka et al.
2012/0263887	A1	10/2012	Papasouliotis et al.
2012/0264051	A1	10/2012	Angelov et al.
2012/0264305	A1	10/2012	Nakano
2012/0267048	A1	10/2012	Moyama et al.
2012/0269962	A1	10/2012	Blomberg et al.
2012/0269967	A1	10/2012	Yudovsky et al.
2012/0270339	A1	10/2012	Xie et al.
2012/0270384	A1	10/2012	Sanchez et al.
2012/0270393	A1	10/2012	Pore et al.
2012/0270407	A1	10/2012	Werner et al.
2012/0273052	A1	11/2012	Ye et al.
2012/0273162	A1	11/2012	Mahadeswaraswamy
2012/0276306	A1	11/2012	Ueda
2012/0288625	A1	11/2012	Furuya et al.
2012/0289053	A1	11/2012	Holland et al.
2012/0289056	A1	11/2012	Bergman et al.
2012/0289057	A1	11/2012	DeDontney
2012/0295427	A1	11/2012	Bauer
2012/0295449	A1	11/2012	Fukazawa
2012/0302055	A1	11/2012	Pore et al.
2012/0303313	A1	11/2012	Moroi et al.
2012/0304935	A1	12/2012	Oosterlaken et al.
2012/0305026	A1	12/2012	Nomura et al.
2012/0305196	A1	12/2012	Mori et al.
2012/0305987	A1	12/2012	Hirler et al.
2012/0307588	A1	12/2012	Hanada et al.
2012/0309181	A1	12/2012	Machkaoutsan et al.
2012/0310440	A1	12/2012	Darabnia et al.
2012/0315113	A1	12/2012	Hiroki
2012/0315404	A1	12/2012	Li et al.
2012/0318334	A1	12/2012	Bedell et al.
2012/0318457	A1	12/2012	Nguyen et al.
2012/0318773	A1	12/2012	Wu et al.
2012/0319279	A1	12/2012	Isobayashi
2012/0320491	A1	12/2012	Doh et al.
2012/0321786	A1	12/2012	Satitpunwaycha et al.
2012/0322252	A1	12/2012	Son et al.
2012/0325148	A1	12/2012	Yamagishi et al.
2012/0328780	A1	12/2012	Yamagishi et al.
2012/0329208	A1	12/2012	Pore et al.
2013/0002121	A1	1/2013	Ma
2013/0005122	A1	1/2013	Schwarzenbach et al.
2013/0005147	A1	1/2013	Angyal et al.
2013/0008607	A1	1/2013	Matsumoto et al.
2013/0011630	A1	1/2013	Sullivan et al.
2013/0011983	A1	1/2013	Tsai
2013/0011984	A1	1/2013	Wang et al.
2013/0012003	A1	1/2013	Haukka et al.
2013/0012034	A1	1/2013	Ahn et al.
2013/0014697	A1	1/2013	Kanayama
2013/0014896	A1	1/2013	Shoji et al.
2013/0017503	A1	1/2013	De Ridder et al.
2013/0019944	A1	1/2013	Hekmatshoar-Tabai et al.
2013/0019945	A1	1/2013	Hekmatshoar-Tabai et al.
2013/0019960	A1	1/2013	Choi et al.
2013/0020246	A1	1/2013	Hoots et al.
2013/0023120	A1	1/2013	Yaehashi et al.
2013/0023124	A1	1/2013	Nemani et al.
2013/0023129	A1	1/2013	Reed
2013/0025538	A1	1/2013	Collins et al.
2013/0025786	A1	1/2013	Davidkovich et al.
2013/0026451	A1	1/2013	Bangsaruntip et al.
2013/0032085	A1	2/2013	Hanawa et al.
2013/0037532	A1	2/2013	Volfovski et al.
2013/0037858	A1	2/2013	Hong et al.
2013/0037886	A1	2/2013	Tsai et al.
2013/0040447	A1	2/2013	Swaminathan et al.
2013/0040481	A1	2/2013	Vallely et al.
2013/0042811	A1	2/2013	Shanker et al.
2013/0048606	A1	2/2013	Mao et al.
2013/0052585	A1	2/2013	Ayothi et al.
2013/0052836	A1	2/2013	Hirose et al.
2013/0059078	A1	3/2013	Gatineau et al.
2013/0059415	A1		
2013/0061755	A1		
2013/0062753	A1		
2013/0062839	A1		
2013/0064973	A1		
2013/0065189	A1		
2013/0068391	A1		
2013/0068727	A1		
2013/0068970	A1		
2013/0069052	A1		
2013/0070456	A1		
2013/0075746	A1		
2013/0075788	A1		
2013/0078376	A1		
2013/0078392	A1		
2013/0081702	A1		
2013/0082274	A1		
2013/0084156	A1		
2013/0084408	A1		
2013/0084711	A1		
2013/0084714	A1		
2013/0085618	A1		
2013/0089667	A1		
2013/0089716	A1		
2013/0089988	A1		
2013/0092085	A1		
2013/0093048	A1		
2013/0093321	A1		
2013/0095664	A1		
2013/0095973	A1		
2013/0099318	A1		
2013/0104988	A1		
2013/0104992	A1		
2013/0107415	A1		
2013/0109172	A1		
2013/0109192	A1		
2013/0112251	A1		
2013/0113085	A1		
2013/0115383	A1		
2013/0115763	A1		
2013/0115768	A1		
2013/0118405	A1		
2013/0118895	A1		
2013/0119018	A1		
2013/0122712	A1		
2013/0122722	A1		
2013/0126515	A1		
2013/0129577	A1		
2013/0130490	A1		
2013/0134148	A1		
2013/0137279	A1		
2013/0143401	A1		
2013/0143415	A1		
2013/0145587	A1		
2013/0145984	A1		
2013/0147050	A1		
2013/0149874	A1		
2013/0152933	A1		
2013/0157409	A1		
2013/0157521	A1		
2013/0160709	A1		
2013/0161629	A1		
2013/0162142	A1		
2013/0164458	A1		
2013/0168353	A1		
2013/0168354	A1		
2013/0171818	A1		
2013/0175596	A1		
2013/0177706	A1		
2013/0180448	A1		
2013/0183814	A1		
2013/0186340	A1		
2013/0189635	A1		
2013/0189854	A1		
2013/0196502	A1		
2013/0196507	A1		
2013/0200518	A1		
2013/0202387	A1		
2013/0203258	A1		
3/2013			Kato et al.
3/2013			Frederick
3/2013			Nguyen et al.
3/2013			Tschinderle et al.
3/2013			Chen et al.
3/2013			Yoshii et al.
3/2013			Mazzocco et al.
3/2013			Okita
3/2013			Matsushita
3/2013			Sandhu
3/2013			Jang et al.
3/2013			Mallikarjunaswamy et al.
3/2013			Tomabechei
3/2013			Higashino et al.
3/2013			Xiao et al.
4/2013			Mohammed et al.
4/2013			Yang
4/2013			Shimamoto
4/2013			Nakao et al.
4/2013			Liang et al.
4/2013			Oka et al.
4/2013			Ding
4/2013			Lai et al.
4/2013			Krishnamurthy et al.
4/2013			Wang et al.
4/2013			Lee
4/2013			Chang et al.
4/2013			Yoshikawa et al.
4/2013			Matero et al.
4/2013			Kroneberger et al.
4/2013			Adam et al.
5/2013			Yednak et al.
5/2013			Yednak et al.
5/2013			Banna et al.
5/2013			Collins et al.
5/2013			Hawkins et al.
5/2013			Hang et al.
5/2013			Michaelson et al.
5/2013			Lu et al.
5/2013			Takamure et al.
5/2013			Pore et al.
5/2013			Ho et al.
5/2013			Roozeboom et al.
5/2013			Kanarik et al.
5/2013			Kim et al.
5/2013			Cissell et al.
5/2013			Shero et al.
5/2013			Halpin et al.
5/2013			Lee et al.
5/2013			Tachikawa
5/2013			Yamamoto et al.
6/2013			Yu et al.
6/2013			Yudovsky et al.
6/2013			Adhiprakash
6/2013			Zhang et al.
6/2013			Bonner, III et al.
6/2013			Hirose et al.
6/2013			Lischer et al.
6/2013			Vaidya
6/2013			Aldrich et al.
6/2013			White et al.
6/2013			Han et al.
6/2013			Nishino et al.
6/2013			Soininen et al.
7/2013			Okita et al.
7/2013			Kanarik
7/2013			Kim et al.
7/2013			Cheng et al.
7/2013			Baluja et al.
7/2013			Sakaue et al.
7/2013			Huang et al.
7/2013			Omori et al.
7/2013			Lim et al.
7/2013			Hausmann et al.
8/2013			Haukka et al.
8/2013			Ma et al.
8/2013			Ahmed et al.
8/2013			Hiroki
8/2013			Chen et al.

(56)

References Cited

U.S. PATENT DOCUMENTS

2013/0203266	A1	8/2013	Hintze	2014/0015186	A1	1/2014	Wessel et al.
2013/0203267	A1	8/2013	Pomarede et al.	2014/0017408	A1	1/2014	Gandikota et al.
2013/0206066	A1	8/2013	Han et al.	2014/0017414	A1	1/2014	Fukazawa et al.
2013/0209940	A1	8/2013	Sakamoto et al.	2014/0017908	A1	1/2014	Beynet et al.
2013/0210241	A1	8/2013	Lavoie et al.	2014/0020619	A1	1/2014	Vincent et al.
2013/0213300	A1	8/2013	Sung et al.	2014/0020764	A1	1/2014	Woelk et al.
2013/0214232	A1	8/2013	Tendulkar et al.	2014/0020839	A1	1/2014	Kenney et al.
2013/0216710	A1	8/2013	Masuda et al.	2014/0023794	A1	1/2014	Mahajani et al.
2013/0217239	A1	8/2013	Mallick et al.	2014/0024223	A1	1/2014	Kilpi et al.
2013/0217240	A1	8/2013	Mallick et al.	2014/0027884	A1	1/2014	Tang et al.
2013/0217241	A1	8/2013	Underwood et al.	2014/0030447	A1	1/2014	Lee
2013/0217243	A1	8/2013	Underwood et al.	2014/0033978	A1	2/2014	Adachi et al.
2013/0219853	A1	8/2013	Little et al.	2014/0034240	A1	2/2014	Kim et al.
2013/0220550	A1	8/2013	Koo et al.	2014/0034632	A1	2/2014	Pan et al.
2013/0224964	A1	8/2013	Fukazawa	2014/0036274	A1	2/2014	Marquardt et al.
2013/0228225	A1	9/2013	Leeser	2014/0045324	A1	2/2014	Brabant et al.
2013/0228902	A1	9/2013	Tomizawa et al.	2014/0045342	A1	2/2014	Mallick et al.
2013/0230814	A1	9/2013	Dunn et al.	2014/0047705	A1	2/2014	Singh
2013/0230987	A1	9/2013	Draeger et al.	2014/0048765	A1	2/2014	Ma et al.
2013/0234203	A1	9/2013	Tsai et al.	2014/0053866	A1	2/2014	Baluja et al.
2013/0242287	A1	9/2013	Schlezinger	2014/0056679	A1	2/2014	Yamabe et al.
2013/0247937	A1	9/2013	Nunomura et al.	2014/0056770	A1	2/2014	Bedard et al.
2013/0256265	A1	10/2013	Darling et al.	2014/0057187	A1	2/2014	Suzuki et al.
2013/0256838	A1	10/2013	Sanchez et al.	2014/0057454	A1	2/2014	Subramonium
2013/0256962	A1	10/2013	Ranish	2014/0058179	A1	2/2014	Stevens et al.
2013/0260371	A1	10/2013	Holt	2014/0060147	A1	3/2014	Sarin et al.
2013/0264659	A1	10/2013	Jung	2014/0060572	A1	3/2014	Yasumuro et al.
2013/0267045	A1	10/2013	Lee et al.	2014/0061770	A1	3/2014	Lee
2013/0269609	A1	10/2013	Leeser	2014/0062304	A1	3/2014	Nakano et al.
2013/0269612	A1	10/2013	Cheng et al.	2014/0065841	A1	3/2014	Matero
2013/0270600	A1	10/2013	Helander et al.	2014/0067110	A1	3/2014	Lawson et al.
2013/0270676	A1	10/2013	Lindert et al.	2014/0072710	A1	3/2014	Valle
2013/0273330	A1	10/2013	Wang et al.	2014/0072726	A1	3/2014	Kim
2013/0276978	A1	10/2013	Bluck et al.	2014/0072925	A1	3/2014	Kaneko
2013/0280891	A1	10/2013	Kim et al.	2014/0073082	A1	3/2014	Song
2013/0285155	A1	10/2013	Glass	2014/0073143	A1	3/2014	Alokozai et al.
2013/0287526	A1	10/2013	Bluck et al.	2014/0076861	A1	3/2014	Cornelius et al.
2013/0288427	A1	10/2013	Hung et al.	2014/0077240	A1	3/2014	Roucka et al.
2013/0288471	A1	10/2013	Chi	2014/0080314	A1	3/2014	Sasajima et al.
2013/0288480	A1	10/2013	Sanchez et al.	2014/0084341	A1	3/2014	Weeks
2013/0288485	A1	10/2013	Liang et al.	2014/0087490	A1	3/2014	Kahlon
2013/0292047	A1	11/2013	Tian et al.	2014/0087544	A1	3/2014	Tolle
2013/0292676	A1	11/2013	Milligan et al.	2014/0087564	A1	3/2014	Shimizu et al.
2013/0292807	A1	11/2013	Raisanen et al.	2014/0094027	A1	4/2014	Azumo et al.
2013/0295779	A1	11/2013	Chandra et al.	2014/0096716	A1	4/2014	Chung et al.
2013/0299944	A1	11/2013	Lai et al.	2014/0097468	A1	4/2014	Okita
2013/0302520	A1	11/2013	Wang et al.	2014/0099794	A1	4/2014	Ingle et al.
2013/0302999	A1	11/2013	Won et al.	2014/0099798	A1	4/2014	Tsuji
2013/0303803	A1	11/2013	Doerr et al.	2014/0103145	A1	4/2014	White et al.
2013/0309876	A1	11/2013	Ogawa	2014/0106574	A1	4/2014	Kang et al.
2013/0312663	A1	11/2013	Khosla et al.	2014/0110798	A1	4/2014	Cai
2013/0313656	A1	11/2013	Tong	2014/0113457	A1	4/2014	Sims
2013/0319290	A1	12/2013	Xiao et al.	2014/0116335	A1	5/2014	Tsuji et al.
2013/0320429	A1	12/2013	Thomas	2014/0117380	A1	5/2014	Loboda et al.
2013/0323435	A1	12/2013	Xiao et al.	2014/0120312	A1	5/2014	He et al.
2013/0323859	A1	12/2013	Chen et al.	2014/0120487	A1	5/2014	Kaneko
2013/0323935	A1	12/2013	Suzuki et al.	2014/0120678	A1	5/2014	Shinriki et al.
2013/0330165	A1	12/2013	Wimplinger	2014/0120723	A1	5/2014	Fu et al.
2013/0330911	A1	12/2013	Huang et al.	2014/0120738	A1	5/2014	Jung
2013/0330933	A1	12/2013	Fukazawa et al.	2014/0120750	A1	5/2014	Johnson
2013/0333619	A1	12/2013	Omari	2014/0127422	A1	5/2014	Shao et al.
2013/0337172	A1	12/2013	Lee	2014/0127907	A1	5/2014	Yang
2013/0337583	A1	12/2013	Kobayashi et al.	2014/0130687	A1	5/2014	Shibusawa et al.
2013/0337639	A1	12/2013	Ivanstov et al.	2014/0138779	A1	5/2014	Xie et al.
2013/0337653	A1	12/2013	Kovalgin et al.	2014/0141165	A1	5/2014	Sato et al.
2013/0340619	A1	12/2013	Tammera	2014/0141625	A1	5/2014	Fukazawa et al.
2013/0340678	A1	12/2013	Wamura et al.	2014/0141674	A1	5/2014	Galbreath et al.
2013/0344248	A1	12/2013	Clark	2014/0144375	A1	5/2014	Kim et al.
2014/0000843	A1	1/2014	Dunn et al.	2014/0144500	A1	5/2014	Cao et al.
2014/0001520	A1	1/2014	Glass	2014/0145332	A1	5/2014	Ryan et al.
2014/0004274	A1	1/2014	Thompson	2014/0147587	A1	5/2014	Endo et al.
2014/0007808	A1	1/2014	Okabe et al.	2014/0148924	A1	5/2014	Brak et al.
2014/0014642	A1	1/2014	Elliot et al.	2014/0158154	A1	6/2014	Kondo et al.
2014/0014644	A1	1/2014	Akiba et al.	2014/0158786	A1	6/2014	Santo
2014/0015108	A1	1/2014	Kim et al.	2014/0159170	A1	6/2014	Raisanen et al.
				2014/0162401	A1	6/2014	Kawano et al.
				2014/0167187	A1	6/2014	Kuo et al.
				2014/0170320	A1	6/2014	Yamamoto et al.
				2014/0170335	A1	6/2014	Shao et al.

(56)

References Cited

U.S. PATENT DOCUMENTS

2014/0174354	A1	6/2014	Arai	2014/0346142	A1	11/2014	Chapuis et al.
2014/0174357	A1	6/2014	Kim et al.	2014/0346600	A1	11/2014	Cheng et al.
2014/0174927	A1	6/2014	Bashir et al.	2014/0346650	A1	11/2014	Raisanen et al.
2014/0175054	A1	6/2014	Carlson et al.	2014/0349033	A1	11/2014	Nonaka et al.
2014/0179091	A1	6/2014	Clark	2014/0349068	A1	11/2014	Inglis et al.
2014/0179092	A1	6/2014	Kim	2014/0357090	A1	12/2014	Knaepen et al.
2014/0182053	A1	7/2014	Huang	2014/0360430	A1	12/2014	Armour et al.
2014/0182689	A1	7/2014	Shareef et al.	2014/0363980	A1	12/2014	Kawamata et al.
2014/0187022	A1	7/2014	Falster et al.	2014/0363983	A1	12/2014	Nakano et al.
2014/0187045	A1	7/2014	Hua et al.	2014/0363985	A1	12/2014	Jang et al.
2014/0190581	A1	7/2014	Nagase et al.	2014/0366804	A1	12/2014	Pak et al.
2014/0191389	A1	7/2014	Lee et al.	2014/0367043	A1	12/2014	Bishara et al.
2014/0193983	A1	7/2014	Lavoie	2014/0367642	A1	12/2014	Guo
2014/0202382	A1	7/2014	Kim et al.	2014/0377960	A1	12/2014	Koiwa
2014/0202386	A1	7/2014	Taga	2015/0004316	A1	1/2015	Thompson et al.
2014/0202388	A1	7/2014	Um et al.	2015/0004317	A1	1/2015	Dussarrat et al.
2014/0209976	A1	7/2014	Yang et al.	2015/0004318	A1	1/2015	Alasaarela et al.
2014/0213061	A1	7/2014	Huang et al.	2015/0004798	A1	1/2015	Chandrasekharan et al.
2014/0217065	A1	8/2014	Winkler et al.	2015/0004806	A1	1/2015	Ndiege et al.
2014/0220247	A1	8/2014	Haukka et al.	2015/0007770	A1	1/2015	Chandrasekharan et al.
2014/0225065	A1	8/2014	Rachmady et al.	2015/0010381	A1	1/2015	Cai
2014/0227072	A1	8/2014	Lee et al.	2015/0011095	A1	1/2015	Chandrasekharan et al.
2014/0227444	A1	8/2014	Winter et al.	2015/0014632	A1	1/2015	Kim et al.
2014/0227861	A1	8/2014	Wu et al.	2015/0014823	A1	1/2015	Mallikarjunan et al.
2014/0227881	A1	8/2014	Lubomirsky et al.	2015/0017794	A1	1/2015	Takamure
2014/0231922	A1	8/2014	Kim et al.	2015/0021599	A1	1/2015	Ridgeway
2014/0234466	A1	8/2014	Gao et al.	2015/0024567	A1	1/2015	Tsai et al.
2014/0234550	A1	8/2014	Winter et al.	2015/0024609	A1	1/2015	Milligan et al.
2014/0234992	A1	8/2014	Kubota et al.	2015/0030766	A1	1/2015	Lind et al.
2014/0238607	A1	8/2014	Nozawa et al.	2015/0030782	A1	1/2015	Ivanov et al.
2014/0238608	A1	8/2014	Sabri et al.	2015/0031218	A1	1/2015	Karakawa
2014/0242298	A1	8/2014	Lansalot-Matras et al.	2015/0041431	A1	2/2015	Zafiropoulo et al.
2014/0242806	A1	8/2014	Knapp et al.	2015/0048485	A1	2/2015	Tolle
2014/0242808	A1	8/2014	Akiyama et al.	2015/0056815	A1	2/2015	Fernandez
2014/0245948	A1	9/2014	Nguyen et al.	2015/0056821	A1	2/2015	Ishikawa et al.
2014/0251788	A1	9/2014	Ge et al.	2015/0061078	A1	3/2015	Abel et al.
2014/0251953	A1	9/2014	Winkler et al.	2015/0064923	A1	3/2015	Matsumoto et al.
2014/0251954	A1	9/2014	Winkler et al.	2015/0069354	A1	3/2015	Helander et al.
2014/0252134	A1	9/2014	Chen	2015/0072509	A1	3/2015	Chi et al.
2014/0252479	A1	9/2014	Utomo et al.	2015/0078874	A1	3/2015	Sansoni
2014/0252710	A1	9/2014	Cuvalci et al.	2015/0079311	A1	3/2015	Nakano
2014/0256160	A1	9/2014	Wada et al.	2015/0086316	A1	3/2015	Greenberg
2014/0260684	A1	9/2014	Christmann	2015/0086716	A1	3/2015	Park et al.
2014/0262028	A1	9/2014	Kelekar	2015/0087139	A1	3/2015	O'Neill et al.
2014/0262034	A1	9/2014	Ishibashi et al.	2015/0087154	A1	3/2015	Guha et al.
2014/0262193	A1	9/2014	Im et al.	2015/0091057	A1	4/2015	Xie et al.
2014/0263172	A1	9/2014	Xie et al.	2015/0091134	A1	4/2015	Amaratunga et al.
2014/0263272	A1	9/2014	Duan et al.	2015/0094470	A1	4/2015	Sanchez et al.
2014/0264297	A1	9/2014	Kumar et al.	2015/0096973	A1	4/2015	Dunn et al.
2014/0264444	A1	9/2014	Guo et al.	2015/0099065	A1	4/2015	Canizares et al.
2014/0264902	A1	9/2014	Ting et al.	2015/0099072	A1	4/2015	Takamure et al.
2014/0265090	A1	9/2014	Hou	2015/0099123	A1	4/2015	Barbee et al.
2014/0265832	A1	9/2014	Kenney et al.	2015/0099342	A1	4/2015	Tsai
2014/0271081	A1	9/2014	Lavitsky et al.	2015/0099374	A1	4/2015	Kakimoto et al.
2014/0272194	A1	9/2014	Xiao et al.	2015/0099375	A1	4/2015	Haripin et al.
2014/0272341	A1	9/2014	Duan et al.	2015/0102466	A1	4/2015	Colinge
2014/0273428	A1	9/2014	Shero	2015/0104574	A1	4/2015	Lee et al.
2014/0273477	A1	9/2014	Niskanen	2015/0104575	A1	4/2015	Takoudis et al.
2014/0273497	A1	9/2014	Payne et al.	2015/0110147	A1	4/2015	Mizuno
2014/0273510	A1	9/2014	Chen et al.	2015/0110968	A1	4/2015	Lavoie et al.
2014/0273528	A1	9/2014	Niskanen	2015/0111374	A1	4/2015	Bao
2014/0273530	A1	9/2014	Nguyen	2015/0111395	A1	4/2015	Hashimoto et al.
2014/0273531	A1	9/2014	Niskanen	2015/0114295	A1	4/2015	Kim et al.
2014/0283747	A1	9/2014	Kasai et al.	2015/0118009	A1	4/2015	Hsieh et al.
2014/0287164	A1	9/2014	Xiao et al.	2015/0118846	A1	4/2015	Isii et al.
2014/0287595	A1	9/2014	Shimamoto et al.	2015/0118863	A1	4/2015	Rathod et al.
2014/0290573	A1	10/2014	Okabe et al.	2015/0122180	A1	5/2015	Chang et al.
2014/0290578	A1	10/2014	Wamura et al.	2015/0125628	A1	5/2015	Kim et al.
2014/0306250	A1	10/2014	Gardner et al.	2015/0126036	A1	5/2015	Zhao
2014/0308108	A1	10/2014	Fosnight et al.	2015/0132212	A1	5/2015	Winkler et al.
2014/0312767	A1	10/2014	Tian et al.	2015/0132953	A1	5/2015	Nowling et al.
2014/0322862	A1	10/2014	Xie et al.	2015/0137315	A1	5/2015	Chen et al.
2014/0322885	A1	10/2014	Xie et al.	2015/0140210	A1	5/2015	Jung et al.
2014/0327117	A1	11/2014	Bencher et al.	2015/0144060	A1	5/2015	Park
2014/0339981	A1	11/2014	Komatsu et al.	2015/0147482	A1	5/2015	Kang et al.
				2015/0147483	A1	5/2015	Fukazawa
				2015/0147488	A1	5/2015	Choi et al.
				2015/0147875	A1	5/2015	Takamure et al.
				2015/0147877	A1	5/2015	Jung

(56)

References Cited

U.S. PATENT DOCUMENTS

2015/0152547	A1	6/2015	Nakamura et al.	2015/0270140	A1	9/2015	Gupta et al.
2015/0152553	A1	6/2015	Popp et al.	2015/0270146	A1	9/2015	Yoshihara et al.
2015/0155140	A1	6/2015	Lee et al.	2015/0275355	A1	10/2015	Mallikarjunan et al.
2015/0155177	A1	6/2015	Zhang et al.	2015/0275357	A1	10/2015	Kamakura et al.
2015/0155370	A1	6/2015	Tsai et al.	2015/0279665	A1	10/2015	Zafiropoulo
2015/0162168	A1	6/2015	Oehrlien	2015/0279681	A1	10/2015	Knoops
2015/0162185	A1	6/2015	Pore	2015/0279682	A1	10/2015	Nakatani et al.
2015/0162214	A1	6/2015	Thompson	2015/0279708	A1	10/2015	Kobayashi et al.
2015/0167159	A1	6/2015	Halpin et al.	2015/0279956	A1	10/2015	Ozaki et al.
2015/0167161	A1	6/2015	Canizares et al.	2015/0280051	A1	10/2015	Xu
2015/0167162	A1	6/2015	Barik et al.	2015/0284848	A1	10/2015	Nakano et al.
2015/0167165	A1	6/2015	Lindfors	2015/0287591	A1	10/2015	Pore et al.
2015/0167705	A1	6/2015	Lee et al.	2015/0287612	A1	10/2015	Luere et al.
2015/0170907	A1	6/2015	Haukka et al.	2015/0287626	A1	10/2015	Arai
2015/0170914	A1	6/2015	Haukka et al.	2015/0287710	A1	10/2015	Yun et al.
2015/0170945	A1	6/2015	Segawa et al.	2015/0291830	A1	10/2015	Galbreath et al.
2015/0170947	A1	6/2015	Bluck	2015/0292088	A1	10/2015	Canizares
2015/0170954	A1	6/2015	Agarwal	2015/0299848	A1	10/2015	Haukka et al.
2015/0170975	A1	6/2015	Blatchford et al.	2015/0307982	A1	10/2015	Firouzdor et al.
2015/0171177	A1	6/2015	Cheng et al.	2015/0307989	A1	10/2015	Lindfors
2015/0174768	A1	6/2015	Rodnick	2015/0308586	A1	10/2015	Shugrue et al.
2015/0175467	A1	6/2015	Denifl et al.	2015/0311043	A1	10/2015	Sun et al.
2015/0176124	A1	6/2015	Greer et al.	2015/0311151	A1	10/2015	Chi et al.
2015/0176126	A1	6/2015	Ge et al.	2015/0303056	A1	11/2015	Varadarajan et al.
2015/0179415	A1	6/2015	Sasaki et al.	2015/0315704	A1	11/2015	Nakano et al.
2015/0179501	A1	6/2015	Jhaveri et al.	2015/0322569	A1	11/2015	Kilpi et al.
2015/0179564	A1	6/2015	Lee et al.	2015/0325432	A1	11/2015	Ishizaka
2015/0179640	A1	6/2015	Kim et al.	2015/0332921	A1	11/2015	Lee et al.
2015/0184287	A1	7/2015	Tsung et al.	2015/0340247	A1	11/2015	Balakrishnan et al.
2015/0184291	A1	7/2015	Alokozai et al.	2015/0340266	A1	11/2015	Ngo et al.
2015/0187559	A1	7/2015	Sano	2015/0340500	A1	11/2015	Brunco
2015/0187568	A1	7/2015	Pettinger et al.	2015/0340609	A1	11/2015	Banno et al.
2015/0187611	A1	7/2015	Sato	2015/0343559	A1	12/2015	Morikazu et al.
2015/0187908	A1	7/2015	Zhang et al.	2015/0343741	A1	12/2015	Shibata et al.
2015/0203961	A1	7/2015	Ha et al.	2015/0345018	A1	12/2015	Detavernier et al.
2015/0203967	A1	7/2015	Dhas et al.	2015/0345022	A1	12/2015	Yudovsky et al.
2015/0211124	A1	7/2015	Nozawa et al.	2015/0348755	A1	12/2015	Han et al.
2015/0211125	A1	7/2015	Yoshikawa et al.	2015/0349073	A1	12/2015	Kang
2015/0217330	A1	8/2015	Haukka	2015/0353478	A1	12/2015	Hoshino et al.
2015/0217456	A1	8/2015	Tsuji et al.	2015/0354060	A1	12/2015	Yabe et al.
2015/0218695	A1	8/2015	Odedra	2015/0361550	A1	12/2015	Yabe et al.
2015/0218698	A1	8/2015	Yoon et al.	2015/0361553	A1	12/2015	Murakawa
2015/0218700	A1	8/2015	Nguyen et al.	2015/0364347	A1	12/2015	Nguyen et al.
2015/0221479	A1	8/2015	Chen et al.	2015/0364371	A1	12/2015	Yen
2015/0221480	A1	8/2015	Duan et al.	2015/0364747	A1	12/2015	Elam et al.
2015/0221519	A1	8/2015	Marks et al.	2015/0367253	A1	12/2015	Kanyal et al.
2015/0225850	A1	8/2015	Arora et al.	2015/0368798	A1	12/2015	Kwong
2015/0228513	A1	8/2015	Parkhe et al.	2015/0371864	A1	12/2015	Hsu et al.
2015/0228572	A1	8/2015	Yang et al.	2015/0372056	A1	12/2015	Seong et al.
2015/0228645	A1	8/2015	Chuang et al.	2015/0376211	A1	12/2015	Girard
2015/0228749	A1	8/2015	Ando et al.	2015/0376785	A1	12/2015	Knaapen et al.
2015/0240357	A1	8/2015	Tachibana et al.	2015/0380296	A1	12/2015	Antonelli et al.
2015/0240359	A1	8/2015	Jdira et al.	2016/0002776	A1	1/2016	Nal et al.
2015/0240360	A1	8/2015	Leeser	2016/0002786	A1	1/2016	Gatineau et al.
2015/0241787	A1	8/2015	Yaegashi	2016/0005571	A1	1/2016	Della Rosa et al.
2015/0243522	A1	8/2015	Kitagaito et al.	2016/0005595	A1	1/2016	Liu et al.
2015/0243542	A1	8/2015	Yoshihara et al.	2016/0005596	A1	1/2016	Behera et al.
2015/0243545	A1	8/2015	Tang	2016/0005839	A1	1/2016	Yieh et al.
2015/0243563	A1	8/2015	Lee et al.	2016/0010208	A1	1/2016	Huang et al.
2015/0243658	A1	8/2015	Joshi et al.	2016/0013022	A1	1/2016	Ayoub
2015/0247259	A1	9/2015	Hekmatshoar-Tabari et al.	2016/0013024	A1	1/2016	Milligan et al.
2015/0249013	A1	9/2015	Arghavani et al.	2016/0013086	A1	1/2016	Yang et al.
2015/0255319	A1	9/2015	Kikuchi et al.	2016/0017493	A1	1/2016	Dhas
2015/0255324	A1	9/2015	Li et al.	2016/0020071	A1	1/2016	Khaja et al.
2015/0255385	A1	9/2015	Lee et al.	2016/0020092	A1	1/2016	Kang et al.
2015/0259790	A1	9/2015	Newman	2016/0024655	A1	1/2016	Yudovsky et al.
2015/0259801	A1	9/2015	Matsumoto et al.	2016/0024656	A1	1/2016	White et al.
2015/0262828	A1	9/2015	Brand et al.	2016/0032453	A1	2/2016	Qian et al.
2015/0263033	A1	9/2015	Aoyama	2016/0035542	A1	2/2016	Hausmann
2015/0267294	A1	9/2015	Itatani	2016/0035566	A1	2/2016	LaVoie
2015/0267295	A1	9/2015	Hill et al.	2016/0035596	A1	2/2016	Kamiya
2015/0267297	A1	9/2015	Shiba	2016/0042954	A1	2/2016	Sung et al.
2015/0267298	A1	9/2015	Saitou et al.	2016/0051964	A1	2/2016	Tolle et al.
2015/0267299	A1	9/2015	Hawkins et al.	2016/0056074	A1	2/2016	Na
2015/0267301	A1	9/2015	Hill et al.	2016/0056156	A1	2/2016	Ghani et al.
				2016/0060752	A1	3/2016	Jacques et al.
				2016/0064208	A1	3/2016	Zafiropoulo et al.
				2016/0064231	A1	3/2016	Agarwal et al.
				2016/0069613	A1	3/2016	Colgan et al.

(56)

References Cited

U.S. PATENT DOCUMENTS

2016/0071750	A1	3/2016	de Ridder et al.	2016/0281223	A1	9/2016	Sowa et al.
2016/0076949	A1	3/2016	Sabah et al.	2016/0281230	A1	9/2016	Varadarajan et al.
2016/0079054	A1	3/2016	Chen et al.	2016/0284517	A1	9/2016	Saido
2016/0085003	A1	3/2016	Jaiswal	2016/0284542	A1	9/2016	Noda et al.
2016/0086811	A1	3/2016	Mackedanz et al.	2016/0289828	A1	10/2016	Shero et al.
2016/0087028	A1	3/2016	Hirota et al.	2016/0293398	A1	10/2016	Danek et al.
2016/0097123	A1	4/2016	Shugrue et al.	2016/0293609	A1	10/2016	Jha et al.
2016/0099150	A1	4/2016	Tsai	2016/0305015	A1	10/2016	Nakamura et al.
2016/0099166	A1	4/2016	Yudovsky	2016/0307739	A1	10/2016	Lee et al.
2016/0099250	A1	4/2016	Rabkin et al.	2016/0307740	A1	10/2016	Kim et al.
2016/0102214	A1	4/2016	Dietz et al.	2016/0307766	A1	10/2016	Jongbloed et al.
2016/0111272	A1	4/2016	Girard	2016/0312360	A1	10/2016	Rasheed et al.
2016/0111304	A1	4/2016	Takahashi et al.	2016/0314960	A1	10/2016	Cheng et al.
2016/0111438	A1	4/2016	Tsutsumi et al.	2016/0314962	A1	10/2016	Higashino et al.
2016/0115590	A1	4/2016	Haukka et al.	2016/0314964	A1	10/2016	Tang et al.
2016/0118224	A1	4/2016	Kohno et al.	2016/0314967	A1	10/2016	Tolle
2016/0133307	A1	5/2016	Lee et al.	2016/0315168	A1	10/2016	Dussarrat et al.
2016/0133504	A1	5/2016	Chu et al.	2016/0334709	A1	11/2016	Huli et al.
2016/0133628	A1	5/2016	Xie	2016/0336178	A1	11/2016	Swaminathan et al.
2016/0141172	A1	5/2016	Kang	2016/0336392	A1	11/2016	Tominaga et al.
2016/0145738	A1	5/2016	Liu et al.	2016/0343612	A1	11/2016	Wang et al.
2016/0148800	A1	5/2016	Henri et al.	2016/0345384	A1	11/2016	Zhang et al.
2016/0148801	A1	5/2016	Yabe et al.	2016/0351413	A1	12/2016	Schmidt et al.
2016/0148806	A1	5/2016	Henri et al.	2016/0351747	A1	12/2016	Forrest et al.
2016/0148811	A1	5/2016	Nakatani et al.	2016/0358772	A1	12/2016	Xie
2016/0148821	A1	5/2016	Singh	2016/0362783	A1	12/2016	Tolle et al.
2016/0152649	A1	6/2016	Gordon	2016/0362813	A1	12/2016	Bao et al.
2016/0153088	A1	6/2016	Tsuji et al.	2016/0365280	A1	12/2016	Brink et al.
2016/0155629	A1	6/2016	Hawryluk et al.	2016/0365414	A1	12/2016	Peng et al.
2016/0163556	A1	6/2016	Briggs et al.	2016/0372321	A1	12/2016	Krishnan et al.
2016/0163558	A1	6/2016	Hudson et al.	2016/0372365	A1	12/2016	Tang et al.
2016/0163561	A1	6/2016	Hudson et al.	2016/0372744	A1	12/2016	Essaki et al.
2016/0163711	A1	6/2016	Arndt et al.	2016/0376700	A1	12/2016	Haukka
2016/0163972	A1	6/2016	Swaminathan et al.	2016/0376701	A1	12/2016	Takewaki et al.
2016/0168699	A1	6/2016	Fukazawa et al.	2016/0376704	A1	12/2016	Raisanen
2016/0168704	A1	6/2016	Choi et al.	2016/0379826	A9	12/2016	Arghavani et al.
2016/0169766	A1	6/2016	Ishibashi et al.	2016/0379851	A1	12/2016	Swaminathan et al.
2016/0172189	A1	6/2016	Tapily	2016/0381732	A1	12/2016	Moench et al.
2016/0172296	A1	6/2016	Lim et al.	2017/0009347	A1	1/2017	Jang et al.
2016/0175805	A1	6/2016	Catchpole et al.	2017/0009367	A1	1/2017	Harris et al.
2016/0177448	A1	6/2016	Ikeda	2017/0011889	A1	1/2017	Winkler et al.
2016/0181117	A1	6/2016	Arghavani et al.	2017/0011926	A1	1/2017	Harada et al.
2016/0181128	A1	6/2016	Mori	2017/0011950	A1	1/2017	Schmotzer
2016/0181368	A1	6/2016	Weeks	2017/0018477	A1	1/2017	Kato
2016/0190137	A1	6/2016	Tsai et al.	2017/0018570	A1	1/2017	Lue et al.
2016/0195331	A1	7/2016	Hyon et al.	2017/0022612	A1	1/2017	Lei et al.
2016/0196969	A1	7/2016	Berry et al.	2017/0025280	A1	1/2017	Milligan
2016/0196970	A1	7/2016	Takamure et al.	2017/0025291	A1	1/2017	Lin
2016/0203995	A1	7/2016	Kanarik et al.	2017/0029945	A1	2/2017	Kamakura
2016/0204005	A1	7/2016	Okii et al.	2017/0032942	A1	2/2017	Walfried
2016/0204436	A1	7/2016	Barker et al.	2017/0032943	A1	2/2017	Spaulding et al.
2016/0211135	A1	7/2016	Noda et al.	2017/0032992	A1	2/2017	Hoechbauer
2016/0211147	A1	7/2016	Fukazawa	2017/0033004	A1	2/2017	Siew et al.
2016/0211166	A1	7/2016	Yan et al.	2017/0037513	A1	2/2017	Haukka
2016/0215387	A1	7/2016	Liu et al.	2017/0040146	A1	2/2017	Huang et al.
2016/0217857	A1	7/2016	Paudel	2017/0040164	A1	2/2017	Wang et al.
2016/0218028	A1	7/2016	Schaller et al.	2017/0040198	A1	2/2017	Lin et al.
2016/0222504	A1	8/2016	Haukka et al.	2017/0040206	A1	2/2017	Schmotzer et al.
2016/0222509	A1	8/2016	Honma	2017/0044664	A1	2/2017	Dussarrat et al.
2016/0222516	A1	8/2016	Ikeda et al.	2017/0044665	A1	2/2017	Shon et al.
2016/0225588	A1	8/2016	Shaikh et al.	2017/0044666	A1	2/2017	Jang et al.
2016/0225607	A1	8/2016	Yamamoto et al.	2017/0047446	A1	2/2017	Margetis et al.
2016/0225632	A1	8/2016	Shaikh et al.	2017/0051402	A1	2/2017	Mori
2016/0237559	A1	8/2016	Tsuji	2017/0051405	A1	2/2017	Fukazawa et al.
2016/0245704	A1	8/2016	Osaka et al.	2017/0051406	A1	2/2017	Mori et al.
2016/0256187	A1	9/2016	Shelton et al.	2017/0051408	A1	2/2017	Kosuke et al.
2016/0268102	A1	9/2016	White	2017/0053811	A1	2/2017	Fung et al.
2016/0268107	A1	9/2016	White	2017/0058402	A1	3/2017	Wenxu et al.
2016/0273095	A1	9/2016	Lin et al.	2017/0062204	A1	3/2017	Suzuki et al.
2016/0273101	A1	9/2016	Komori et al.	2017/0062209	A1	3/2017	Shiba
2016/0273106	A1	9/2016	Kanjolia et al.	2017/0062210	A1	3/2017	Visser et al.
2016/0273128	A1	9/2016	Kang	2017/0062218	A1	3/2017	Duan et al.
2016/0276148	A1	9/2016	Qian et al.	2017/0062224	A1	3/2017	Fu et al.
2016/0276212	A1	9/2016	Horikoshi	2017/0062258	A1	3/2017	Bluck
2016/0279629	A1	9/2016	Michishita et al.	2017/0069725	A1	3/2017	Bhimarasetti et al.
				2017/0091320	A1	3/2017	Psota et al.
				2017/0092469	A1	3/2017	Kurita et al.
				2017/0092531	A1	3/2017	Coomer
				2017/0092535	A1	3/2017	Kimihiko et al.

(56)

References Cited

U.S. PATENT DOCUMENTS

2017/0092847	A1	3/2017	Kim et al.	2017/0294318	A1	10/2017	Yoshida et al.
2017/0100742	A1	4/2017	Pore et al.	2017/0294339	A1	10/2017	Tapily
2017/0102612	A1	4/2017	Meyers et al.	2017/0294499	A1	10/2017	Lu et al.
2017/0103907	A1	4/2017	Chu et al.	2017/0301519	A1	10/2017	Naim et al.
2017/0104061	A1	4/2017	Peng et al.	2017/0301542	A1	10/2017	Maes et al.
2017/0107621	A1	4/2017	Suemori	2017/0303382	A1	10/2017	Smith et al.
2017/0110313	A1	4/2017	Tang et al.	2017/0306478	A1	10/2017	Raisanen et al.
2017/0110601	A1	4/2017	Blomberg et al.	2017/0306479	A1	10/2017	Raisanen et al.
2017/0114460	A1	4/2017	Kim et al.	2017/0306480	A1	10/2017	Zhu et al.
2017/0114464	A1	4/2017	Iriuda et al.	2017/0306494	A1	10/2017	Lin et al.
2017/0114465	A1	4/2017	Kalutarage et al.	2017/0309490	A1	10/2017	Ogawa
2017/0117141	A1	4/2017	Zhu et al.	2017/0309528	A1	10/2017	Bansal et al.
2017/0117202	A1	4/2017	Tang et al.	2017/0314125	A1	11/2017	Fenwick et al.
2017/0117203	A1	4/2017	Tang et al.	2017/0316933	A1	11/2017	Xie et al.
2017/0117222	A1	4/2017	Kim et al.	2017/0316940	A1	11/2017	Ishikawa et al.
2017/0121845	A1	5/2017	Grutzmacher et al.	2017/0317194	A1	11/2017	Tang et al.
2017/0130332	A1	5/2017	Stumpf	2017/0323783	A1	11/2017	Sanchez et al.
2017/0136578	A1	5/2017	Yoshimura	2017/0323784	A1	11/2017	Faguet et al.
2017/0140924	A1	5/2017	Suzuki et al.	2017/0338111	A1	11/2017	Takamure et al.
2017/0140925	A1	5/2017	Suzuki et al.	2017/0338133	A1	11/2017	Tan et al.
2017/0145564	A1	5/2017	Bertuch et al.	2017/0338134	A1	11/2017	Tan et al.
2017/0146909	A1	5/2017	Smith et al.	2017/0338192	A1	11/2017	Lee et al.
2017/0148918	A1	5/2017	Ye et al.	2017/0342559	A1	11/2017	Fukazawa et al.
2017/0152968	A1	6/2017	Raj et al.	2017/0343896	A1	11/2017	Darling et al.
2017/0154757	A1	6/2017	Winkler et al.	2017/0345674	A1	11/2017	Ranjan et al.
2017/0154770	A1	6/2017	Margetis et al.	2017/0350688	A1	12/2017	Boyd et al.
2017/0154895	A1	6/2017	Huo	2017/0358445	A1	12/2017	O'Shaughnessy et al.
2017/0159177	A1	6/2017	Monsma et al.	2017/0358482	A1	12/2017	Chen et al.
2017/0165624	A1	6/2017	Ravooin et al.	2017/0358670	A1	12/2017	Kub et al.
2017/0167023	A1	6/2017	Proia et al.	2017/0362710	A1	12/2017	Ge et al.
2017/0170033	A1	6/2017	Okabe et al.	2017/0365467	A1	12/2017	Shimamoto et al.
2017/0173696	A1	6/2017	Sheinman	2017/0369993	A1	12/2017	Sun
2017/0175290	A1	6/2017	Chen et al.	2017/0372884	A1	12/2017	Margetis et al.
2017/0178899	A1	6/2017	Kabansky et al.	2017/0372919	A1	12/2017	Manna et al.
2017/0178939	A1	6/2017	Omori	2017/0373188	A1	12/2017	Mochizuki et al.
2017/0178942	A1	6/2017	Sakata et al.	2018/0005814	A1	1/2018	Kumar et al.
2017/0179036	A1	6/2017	Chen et al.	2018/0010243	A1	1/2018	Lee et al.
2017/0186621	A1	6/2017	Zaitso	2018/0010247	A1	1/2018	Niskanen
2017/0186754	A1	6/2017	Blomberg et al.	2018/0011052	A1	1/2018	Andersson et al.
2017/0191159	A1	7/2017	Polyak et al.	2018/0012792	A1	1/2018	Zhu
2017/0191164	A1	7/2017	Alokozai et al.	2018/0019165	A1	1/2018	Baum et al.
2017/0191685	A1	7/2017	Ronne et al.	2018/0025890	A1	1/2018	Choi et al.
2017/0191861	A1	7/2017	Rondano et al.	2018/0025907	A1	1/2018	Kalutarage et al.
2017/0196562	A1	7/2017	Shelton	2018/0025939	A1	1/2018	Kovalgin et al.
2017/0200622	A1	7/2017	Shiokawa et al.	2018/0033614	A1	2/2018	Chandra et al.
2017/0204516	A1	7/2017	Nguyen et al.	2018/0033616	A1	2/2018	Masaru
2017/0213960	A1	7/2017	de Araujo et al.	2018/0033625	A1	2/2018	Yoo
2017/0216762	A1	8/2017	Shugrue et al.	2018/0033645	A1	2/2018	Saido et al.
2017/0218515	A1	8/2017	Shin et al.	2018/0033674	A1	2/2018	Jeong
2017/0222008	A1	8/2017	Hsu et al.	2018/0033679	A1	2/2018	Pore
2017/0226636	A1	8/2017	Xiao	2018/0040746	A1	2/2018	Johnson et al.
2017/0232457	A1	8/2017	Toshiki et al.	2018/0044800	A1	2/2018	Hendrix et al.
2017/0233868	A1	8/2017	Donoso et al.	2018/0047591	A1	2/2018	Ogo
2017/0243734	A1	8/2017	Ishikawa et al.	2018/0047621	A1	2/2018	Armini
2017/0250068	A1	8/2017	Ishikawa et al.	2018/0047749	A1	2/2018	Kim
2017/0250075	A1	8/2017	Caymax et al.	2018/0053660	A1	2/2018	Jandl et al.
2017/0253968	A1	9/2017	Yahata	2018/0053769	A1	2/2018	Kim et al.
2017/0256393	A1	9/2017	Kim et al.	2018/0057931	A1	3/2018	Cha et al.
2017/0256417	A1	9/2017	Chou	2018/0057934	A1	3/2018	Cooper et al.
2017/0256429	A1	9/2017	Lawson et al.	2018/0057937	A1	3/2018	Lee et al.
2017/0260649	A1	9/2017	Coomer	2018/0061628	A1	3/2018	Ou et al.
2017/0263437	A1	9/2017	Li et al.	2018/0061851	A1	3/2018	Ootsuka
2017/0263438	A1	9/2017	Li et al.	2018/0068844	A1	3/2018	Chen et al.
2017/0267527	A1	9/2017	Kim et al.	2018/0068862	A1	3/2018	Terakura et al.
2017/0267531	A1	9/2017	Huakka	2018/0068950	A1	3/2018	Bruley et al.
2017/0271143	A1	9/2017	Fukiage et al.	2018/0069019	A1	3/2018	Kim et al.
2017/0271191	A1	9/2017	Yoo et al.	2018/0076021	A1	3/2018	Fukushima et al.
2017/0271256	A1	9/2017	Inatsuka	2018/0083435	A1	3/2018	Redler
2017/0271501	A1	9/2017	Avcı et al.	2018/0087152	A1	3/2018	Yoshida
2017/0278705	A1	9/2017	Murakami et al.	2018/0087154	A1	3/2018	Pore et al.
2017/0278707	A1	9/2017	Margetis et al.	2018/0087156	A1	3/2018	Kohei et al.
2017/0283312	A1	10/2017	Lee et al.	2018/0090583	A1	3/2018	Choi et al.
2017/0283313	A1	10/2017	Lee et al.	2018/0094350	A1	4/2018	Verghese et al.
2017/0287681	A1	10/2017	Nitadori et al.	2018/0094351	A1	4/2018	Verghese et al.
2017/0287744	A1	10/2017	Kobayashi et al.	2018/0096821	A1	4/2018	Lubomirsky
				2018/0096844	A1	4/2018	Dutartre et al.
				2018/0097076	A1	4/2018	Cheng et al.
				2018/0102276	A1	4/2018	Zhu et al.
				2018/0105701	A1	4/2018	Larsson et al.

(56)

References Cited

U.S. PATENT DOCUMENTS

2018/0105930	A1	4/2018	Kang et al.	2018/0323056	A1	11/2018	Woodruff et al.
2018/0108587	A1	4/2018	Jiang	2018/0323059	A1	11/2018	Bhargava et al.
2018/0114680	A1	4/2018	Kim et al.	2018/0325414	A1	11/2018	Marashdeh et al.
2018/0119283	A1	5/2018	Fukazawa	2018/0327892	A1	11/2018	Wu et al.
2018/0122642	A1	5/2018	Raisanen	2018/0327898	A1	11/2018	Wu et al.
2018/0122709	A1	5/2018	Xie	2018/0327899	A1	11/2018	Wu et al.
2018/0122959	A1	5/2018	Calka et al.	2018/0331117	A1	11/2018	Titus et al.
2018/0126379	A1	5/2018	Ramsey et al.	2018/0337087	A1	11/2018	Sandhu et al.
2018/0127876	A1	5/2018	Tolle	2018/0350587	A1	12/2018	Jia et al.
2018/0130652	A1	5/2018	Pettinger et al.	2018/0350588	A1	12/2018	Raisanen et al.
2018/0130701	A1	5/2018	Chun	2018/0350620	A1	12/2018	Zaitsu et al.
2018/0135172	A1	5/2018	Nogami et al.	2018/0350653	A1	12/2018	Jeong et al.
2018/0135173	A1	5/2018	Kim et al.	2018/0355480	A1	12/2018	Kondo
2018/0135179	A1	5/2018	Toshiyuki et al.	2018/0355484	A1	12/2018	Lansalot-Matras et al.
2018/0138036	A1	5/2018	Baldesseroni et al.	2018/0358222	A1	12/2018	Venkatasubramanian et al.
2018/0142353	A1	5/2018	Tetsuya et al.	2018/0363131	A1	12/2018	Lee et al.
2018/0142357	A1	5/2018	Yoshikazu	2018/0363139	A1	12/2018	Rajavelu et al.
2018/0148832	A1	5/2018	Chatterjee et al.	2018/0366314	A1	12/2018	Niskanen et al.
2018/0151346	A1	5/2018	Blanquart	2018/0371610	A1	12/2018	Banerjee et al.
2018/0151358	A1	5/2018	Margetis et al.	2019/0003050	A1	1/2019	Dezelah et al.
2018/0151588	A1	5/2018	Tsutsumi et al.	2019/0003052	A1	1/2019	Shero et al.
2018/0155832	A1	6/2018	Hamalainen et al.	2019/0006797	A1	1/2019	Paynter et al.
2018/0155836	A1	6/2018	Arai et al.	2019/0013199	A1	1/2019	Bhargava et al.
2018/0158688	A1	6/2018	Chen	2019/0019670	A1	1/2019	Lin et al.
2018/0158716	A1	6/2018	Konkola et al.	2019/0019714	A1	1/2019	Kosakai et al.
2018/0163305	A1	6/2018	Batzer et al.	2019/0027573	A1	1/2019	Zhu et al.
2018/0166258	A1	6/2018	Kim et al.	2019/0027583	A1	1/2019	Margetis et al.
2018/0166315	A1	6/2018	Coomer	2019/0027584	A1	1/2019	Margetis et al.
2018/0171472	A1	6/2018	Yamada et al.	2019/0027605	A1	1/2019	Tolle et al.
2018/0171475	A1	6/2018	Maes et al.	2019/0032209	A1	1/2019	Huggare
2018/0171477	A1	6/2018	Kim et al.	2019/0032998	A1	1/2019	Jdira et al.
2018/0172172	A1	6/2018	Oehler et al.	2019/0035605	A1	1/2019	Suzuki
2018/0173109	A1	6/2018	Gronheid et al.	2019/0035647	A1	1/2019	Lee et al.
2018/0174801	A1	6/2018	Chen et al.	2019/0035698	A1	1/2019	Tanaka
2018/0174826	A1	6/2018	Raaijmakers et al.	2019/0035810	A1	1/2019	Chun et al.
2018/0179625	A1	6/2018	Takagi et al.	2019/0040529	A1	2/2019	Verbaas et al.
2018/0180509	A1	6/2018	Sawachi et al.	2019/0046947	A1	2/2019	Strohm et al.
2018/0182613	A1	6/2018	Blanquart et al.	2019/0051544	A1	2/2019	Verbaas
2018/0182618	A1	6/2018	Blanquart et al.	2019/0051548	A1	2/2019	den Hartog Besselink et al.
2018/0187303	A1	7/2018	Gatineau et al.	2019/0051555	A1	2/2019	Hill et al.
2018/0189923	A1	7/2018	Zhong et al.	2019/0057857	A1	2/2019	Ishikawa et al.
2018/0190496	A1	7/2018	Ashihara et al.	2019/0057858	A1	2/2019	Hausmann et al.
2018/0195174	A1	7/2018	Kim et al.	2019/0058043	A1	2/2019	Dewey et al.
2018/0204733	A1	7/2018	Sherpa et al.	2019/0062907	A1	2/2019	Kim et al.
2018/0209042	A1	7/2018	Wu et al.	2019/0062917	A1	2/2019	Sung et al.
2018/0211834	A1	7/2018	Takamure et al.	2019/0066978	A1	2/2019	Um et al.
2018/0223047	A1	8/2018	Xiao et al.	2019/0066997	A1	2/2019	Klaver et al.
2018/0223429	A1	8/2018	Fukazawa et al.	2019/0067003	A1	2/2019	Zope et al.
2018/0230595	A1	8/2018	Suda et al.	2019/0067004	A1	2/2019	Kohen et al.
2018/0233372	A1	8/2018	Vayrynen et al.	2019/0067014	A1	2/2019	Shrestha et al.
2018/0245215	A1	8/2018	Lei et al.	2019/0067016	A1	2/2019	Zhu et al.
2018/0246101	A1	8/2018	Sasisekharan et al.	2019/0067085	A1	2/2019	Kweskin
2018/0254211	A1	9/2018	Kosakai et al.	2019/0067094	A1	2/2019	Zope et al.
2018/0258532	A1	9/2018	Kato et al.	2019/0067095	A1	2/2019	Zhu et al.
2018/0265294	A1	9/2018	Hayashi	2019/0078206	A1	3/2019	Wu et al.
2018/0265972	A1	9/2018	Firouzdor et al.	2019/0080903	A1	3/2019	Abel et al.
2018/0265973	A1	9/2018	Firouzdor et al.	2019/0081072	A1	3/2019	Chun et al.
2018/0269057	A1	9/2018	Lei et al.	2019/0085451	A1	3/2019	Lei et al.
2018/0274098	A1	9/2018	Takagi et al.	2019/0086807	A1	3/2019	Kachel et al.
2018/0277338	A1	9/2018	Fukada et al.	2019/0088555	A1	3/2019	Xie et al.
2018/0277423	A1	9/2018	Lottes	2019/0089143	A1	3/2019	Malone et al.
2018/0286638	A1	10/2018	Susa	2019/0093221	A1	3/2019	Jdira et al.
2018/0286663	A1	10/2018	Kobayashi et al.	2019/0096708	A1	3/2019	Sharma
2018/0286668	A1	10/2018	Baum et al.	2019/0106788	A1	4/2019	Hawkins et al.
2018/0286672	A1	10/2018	Van Aerde et al.	2019/0109002	A1	4/2019	Mattinen et al.
2018/0286675	A1	10/2018	Blomberg et al.	2019/0109009	A1	4/2019	Longrie et al.
2018/0286711	A1	10/2018	Oosterlaken et al.	2019/0109043	A1	4/2019	Wang et al.
2018/0294187	A1	10/2018	Thombare et al.	2019/0112711	A1	4/2019	Lyons et al.
2018/0305247	A1	10/2018	Feng et al.	2019/0115206	A1	4/2019	Kim et al.
2018/0308686	A1	10/2018	Xie et al.	2019/0115237	A1	4/2019	den Hartog Besselink et al.
2018/0308701	A1	10/2018	Na et al.	2019/0115451	A1	4/2019	Lee et al.
2018/0312966	A1	11/2018	Chan et al.	2019/0131124	A1	5/2019	Kohen et al.
2018/0315597	A1	11/2018	Varadarajan et al.	2019/0140067	A1	5/2019	Zhu et al.
2018/0315838	A1	11/2018	Morrow et al.	2019/0148177	A1	5/2019	Yin et al.
2018/0323055	A1	11/2018	Woodruff et al.	2019/0148224	A1	5/2019	Kuroda et al.
				2019/0148398	A1	5/2019	Kim et al.
				2019/0148556	A1	5/2019	Wang et al.
				2019/0153593	A1	5/2019	Zhu et al.
				2019/0157054	A1	5/2019	White et al.

(56)

References Cited

U.S. PATENT DOCUMENTS

2019/0157067	A1	5/2019	Bhuyan et al.	2020/0002812	A1	1/2020	Lee et al.
2019/0163056	A1	5/2019	Maes et al.	2020/0012081	A1	1/2020	Komai
2019/0164763	A1	5/2019	Raisanen et al.	2020/0013612	A1	1/2020	Blanquart et al.
2019/0172701	A1	6/2019	Jia et al.	2020/0013613	A1	1/2020	Blanquart
2019/0172714	A1	6/2019	Bobek et al.	2020/0013626	A1	1/2020	Longrie et al.
2019/0176435	A1	6/2019	Bellman et al.	2020/0013629	A1	1/2020	de Roest et al.
2019/0181002	A1	6/2019	Iijima et al.	2020/0018421	A1	1/2020	Shugrue
2019/0185999	A1	6/2019	Shanbhag et al.	2020/0035489	A1	1/2020	Huang et al.
2019/0189447	A1	6/2019	Kamp et al.	2020/0040458	A1	2/2020	Ma et al.
2019/0198297	A1	6/2019	Aramaki et al.	2020/0048768	A1	2/2020	Wiegers et al.
2019/0198359	A1	6/2019	Kamimura et al.	2020/0052056	A1	2/2020	Park et al.
2019/0198571	A1	6/2019	Xu et al.	2020/0052089	A1	2/2020	Yu et al.
2019/0204029	A1	7/2019	Tanabe	2020/0056282	A1	2/2020	Raisanen et al.
2019/0211450	A1	7/2019	Adachi et al.	2020/0056286	A1	2/2020	Shero et al.
2019/0217277	A1	7/2019	Jeon et al.	2020/0058469	A1	2/2020	Ranjan et al.
2019/0221433	A1	7/2019	Raisanen	2020/0063262	A1	2/2020	Katou et al.
2019/0229008	A1	7/2019	Rokkam et al.	2020/0064737	A1	2/2020	de Roest
2019/0233446	A1	8/2019	MacDonald et al.	2020/0066512	A1	2/2020	Tois et al.
2019/0233940	A1	8/2019	Guo et al.	2020/0066552	A1	2/2020	Susa
2019/0237325	A1	8/2019	Wang et al.	2020/0080200	A1	3/2020	Um et al.
2019/0237327	A1	8/2019	Kohen et al.	2020/0083054	A1	3/2020	Väyrynen et al.
2019/0244803	A1	8/2019	Suzuki	2020/0083375	A1	3/2020	Tolle et al.
2019/0249300	A1	8/2019	Hatanpaa et al.	2020/0083469	A1	3/2020	Lhullier
2019/0249303	A1	8/2019	Kuroda et al.	2020/0102649	A1	4/2020	Reed
2019/0252195	A1	8/2019	Haukka	2020/0102653	A1	4/2020	Muralidhar et al.
2019/0252196	A1	8/2019	Vayrynen et al.	2020/0105579	A1	4/2020	Zhu
2019/0259611	A1	8/2019	Nakano et al.	2020/0105594	A1	4/2020	Cheng et al.
2019/0259612	A1	8/2019	Nozawa et al.	2020/0105895	A1	4/2020	Tang et al.
2019/0264324	A1	8/2019	Shugrue et al.	2020/0109472	A1	4/2020	Um et al.
2019/0271078	A1	9/2019	Raisanen et al.	2020/0111669	A1	4/2020	Zaitsu et al.
2019/0272981	A1	9/2019	Xu et al.	2020/0111690	A1	4/2020	Oosterlaken
2019/0272993	A1	9/2019	Mattinen et al.	2020/0118811	A1	4/2020	Utsuno et al.
2019/0273133	A1	9/2019	Agrawal et al.	2020/0118815	A1	4/2020	Fukazawa et al.
2019/0276934	A1	9/2019	Verghese et al.	2020/0118817	A1	4/2020	Blomberg et al.
2019/0287769	A1	9/2019	Blomberg et al.	2020/0119038	A1	4/2020	Hopkins et al.
2019/0295837	A1	9/2019	Pore et al.	2020/0126771	A1	4/2020	Roh et al.
2019/0301014	A1	10/2019	Pierreux et al.	2020/0126840	A1	4/2020	Roh et al.
2019/0304776	A1	10/2019	Choi	2020/0131634	A1	4/2020	Gao et al.
2019/0304780	A1	10/2019	Kohen et al.	2020/0135512	A1	4/2020	Oosterlaken et al.
2019/0304790	A1	10/2019	Mousa et al.	2020/0135915	A1	4/2020	Savant et al.
2019/0304821	A1	10/2019	Pierreux et al.	2020/0140995	A1	5/2020	Blanquart et al.
2019/0311894	A1	10/2019	Girard et al.	2020/0141003	A1	5/2020	Lee et al.
2019/0311897	A1	10/2019	Kang et al.	2020/0144058	A1	5/2020	Kohen
2019/0311940	A1	10/2019	Choi et al.	2020/0152473	A1	5/2020	Tapily et al.
2019/0318910	A1	10/2019	Mori	2020/0152750	A1	5/2020	Morrow et al.
2019/0318923	A1	10/2019	Blanquart et al.	2020/0161129	A1	5/2020	Mattinen et al.
2019/0319100	A1	10/2019	Chen et al.	2020/0161438	A1	5/2020	Tang et al.
2019/0322812	A1	10/2019	Wojtecki et al.	2020/0168485	A1	5/2020	Fluit
2019/0330740	A1	10/2019	Klaver	2020/0279758	A1	5/2020	Sharma
2019/0333753	A1	10/2019	Ueda et al.	2020/0173020	A1	6/2020	Huggare
2019/0333761	A1	10/2019	Tois et al.	2020/0176244	A1	6/2020	Lee et al.
2019/0338418	A1	11/2019	Goradia et al.	2020/0176246	A1	6/2020	Huotari et al.
2019/0346300	A1	11/2019	Kim et al.	2020/0181770	A1	6/2020	Longrie et al.
2019/0348261	A1	11/2019	Lin et al.	2020/0185249	A1	6/2020	Rice et al.
2019/0348273	A1	11/2019	Tang et al.	2020/0185257	A1	6/2020	Nishiwaki
2019/0348515	A1	11/2019	Li et al.	2020/0194253	A1	6/2020	Banerjee et al.
2019/0362970	A1	11/2019	Wang et al.	2020/0194268	A1	6/2020	Sharma
2019/0362989	A1	11/2019	Reuter et al.	2020/0203157	A1	6/2020	Su
2019/0363006	A1	11/2019	Min	2020/0224309	A1	7/2020	Sreeram et al.
2019/0363015	A1	11/2019	Cheng et al.	2020/0224311	A1	7/2020	Niskanen et al.
2019/0297710	A1	12/2019	Lindfors	2020/0227243	A1	7/2020	Kim et al.
2019/0368040	A1	12/2019	Kachel et al.	2020/0227250	A1	7/2020	Pore et al.
2019/0368041	A1	12/2019	Sreeram et al.	2020/0227325	A1	7/2020	Xie et al.
2019/0371594	A1	12/2019	Niskanen et al.	2020/0232096	A1	7/2020	Hatanpää et al.
2019/0371640	A1	12/2019	Raisanen et al.	2020/0234989	A1	7/2020	Jeong
2019/0375638	A1	12/2019	Haukka	2020/0251328	A1	8/2020	Zaitsu et al.
2019/0376180	A1	12/2019	Niskanen	2020/0258766	A1	8/2020	Garssen et al.
2019/0378711	A1	12/2019	Suzuki et al.	2020/0266057	A1	8/2020	Lee et al.
2019/0378916	A1	12/2019	Tang et al.	2020/0266097	A1	8/2020	Liu et al.
2019/0385907	A1	12/2019	Gottheim et al.	2020/0266098	A1	8/2020	Pore et al.
2019/0390338	A1	12/2019	Raisanen et al.	2020/0266208	A1	8/2020	Kim et al.
2019/0390343	A1	12/2019	Min et al.	2020/0270749	A1	8/2020	Li et al.
2019/0393304	A1	12/2019	Guillorn et al.	2020/0270752	A1	8/2020	Pierreux et al.
2019/0393308	A1	12/2019	Lo et al.	2020/0273728	A1	8/2020	Benjaminson et al.
2020/0002811	A1	1/2020	Sreeram et al.	2020/0273729	A1	8/2020	Verbaas et al.
				2020/0279721	A1	9/2020	White et al.
				2020/0283893	A1	9/2020	Byun et al.
				2020/0283894	A1	9/2020	Lehn et al.
				2020/0284467	A1	9/2020	Lindeboom et al.

(56)

References Cited

U.S. PATENT DOCUMENTS

2020/0286725	A1	9/2020	Sharma et al.	2021/0071298	A1	3/2021	Maes et al.
2020/0286726	A1	9/2020	Shero et al.	2021/0074527	A1	3/2021	Lee et al.
2020/0294789	A1	9/2020	Woodruff et al.	2021/0082692	A1	3/2021	Kikuchi
2020/0303180	A1	9/2020	Kim et al.	2021/0090878	A1	3/2021	Kang et al.
2020/0303196	A1	9/2020	Chen et al.	2021/0095372	A1	4/2021	Minjauw et al.
2020/0309455	A1	10/2020	Fluit	2021/0102289	A1	4/2021	Tsuji et al.
2020/0312652	A1	10/2020	Kang et al.	2021/0102290	A1	4/2021	Acosta et al.
2020/0312681	A1	10/2020	Tanaka et al.	2021/0102292	A1	4/2021	Lin et al.
2020/0318237	A1	10/2020	Fukazawa	2021/0104384	A1	4/2021	Parkhe
2020/0321209	A1	10/2020	Ishikawa et al.	2021/0104399	A1	4/2021	Kuroda et al.
2020/0332416	A1	10/2020	Fluit	2021/0108328	A1	4/2021	Yanagisawa
2020/0340113	A1	10/2020	Hatanpää et al.	2021/0111025	A1	4/2021	Zyulkov et al.
2020/0340138	A1	10/2020	Tolle et al.	2021/0111053	A1	4/2021	De Ridder
2020/0343134	A1	10/2020	Kovalgin et al.	2021/0118667	A1	4/2021	Fukazawa et al.
2020/0343358	A1	10/2020	Zhu et al.	2021/0118679	A1	4/2021	Lima et al.
2020/0350193	A1	11/2020	Garssen	2021/0118687	A1	4/2021	Wang et al.
2020/0354836	A1	11/2020	Yednak et al.	2021/0125827	A1	4/2021	Khazaka et al.
2020/0355296	A1	11/2020	Shugrue et al.	2021/0125832	A1	4/2021	Bhatnagar
2020/0357631	A1	11/2020	Ueda	2021/0134588	A1	5/2021	Kohen et al.
2020/0365391	A1	11/2020	Blanquart et al.	2021/0134959	A1	5/2021	Lima et al.
2020/0365433	A1	11/2020	de Ridder et al.	2021/0140043	A1	5/2021	Thombare et al.
2020/0365434	A1	11/2020	de Ridder	2021/0143003	A1	5/2021	Fukuda et al.
2020/0365444	A1	11/2020	Hill et al.	2021/0151315	A1	5/2021	Pierreux et al.
2020/0373152	A1	11/2020	Blanquart	2021/0151348	A1	5/2021	Utsuno et al.
2020/0385861	A1	12/2020	Deye et al.	2021/0151352	A1	5/2021	Zope et al.
2020/0385867	A1	12/2020	Kim et al.	2021/0156024	A1	5/2021	Roh et al.
2020/0385868	A1	12/2020	Kim et al.	2021/0156030	A1	5/2021	Shugrue
2020/0395199	A1	12/2020	Miyama	2021/0159077	A1	5/2021	Longrie et al.
2020/0395209	A1	12/2020	Yoshimoto et al.	2021/0166910	A1	6/2021	Kim et al.
2020/0395444	A1	12/2020	Lo et al.	2021/0166924	A1	6/2021	Moon et al.
2020/0402846	A1	12/2020	Collins et al.	2021/0166925	A1	6/2021	Moon et al.
2021/0002762	A1	1/2021	Jun et al.	2021/0166940	A1	6/2021	Nozawa
2021/0005449	A1	1/2021	Blanquart et al.	2021/0172064	A1	6/2021	Moon
2021/0005450	A1	1/2021	Mattinen et al.	2021/0175052	A1	6/2021	Takahashi et al.
2021/0005723	A1	1/2021	Tang et al.	2021/0180184	A1	6/2021	Verni et al.
2021/0013010	A1	1/2021	Yoshikawa et al.	2021/0180188	A1	6/2021	Kim et al.
2021/0013034	A1	1/2021	Wu et al.	2021/0180189	A1	6/2021	Shugrue et al.
2021/0013037	A1	1/2021	Sun et al.	2021/0193458	A1	6/2021	Salmi et al.
2021/0013042	A1	1/2021	Väyrynen et al.	2021/0205758	A1	7/2021	Kimtee et al.
2021/0013085	A1	1/2021	Roh et al.	2021/0207269	A1	7/2021	Huang et al.
2021/0020429	A1	1/2021	Khazaka et al.	2021/0207270	A1	7/2021	de Ridder et al.
2021/0020431	A1	1/2021	Blanquart et al.	2021/0210373	A1	7/2021	Singu et al.
2021/0020432	A1	1/2021	Blanquart	2021/0214842	A1	7/2021	Yoon et al.
2021/0020467	A1	1/2021	Sekiguchi	2021/0225615	A1	7/2021	Yoshida
2021/0020470	A1	1/2021	Lee	2021/0225622	A1	7/2021	Shoji
2021/0028021	A1	1/2021	Mousa et al.	2021/0225642	A1	7/2021	Utsuno et al.
2021/0017648	A1	2/2021	Kubota et al.	2021/0225643	A1	7/2021	Kuroda et al.
2021/0032754	A1	2/2021	White et al.	2021/0225643	A1	7/2021	Kimtee et al.
2021/0033977	A1	2/2021	Raaijmakers et al.	2021/0230744	A1	7/2021	Kimtee et al.
2021/0035785	A1	2/2021	Jeong et al.	2021/0230746	A1	7/2021	Shiba
2021/0035786	A1	2/2021	Jeong et al.	2021/0233772	A1	7/2021	Zhu et al.
2021/0035802	A1	2/2021	Tolle et al.	2021/0238736	A1	8/2021	Butail et al.
2021/0035824	A1	2/2021	de Ridder	2021/0238742	A1	8/2021	Susa et al.
2021/0035839	A1	2/2021	de Ridder	2021/0239614	A1	8/2021	Muralidhar et al.
2021/0035840	A1	2/2021	de Ridder et al.	2021/0242011	A1	8/2021	Shero et al.
2021/0035841	A1	2/2021	Fluit	2021/0246556	A1	8/2021	Mori
2021/0035842	A1	2/2021	de Ridder	2021/0247693	A1	8/2021	Maes et al.
2021/0035854	A1	2/2021	Yoo et al.	2021/0249303	A1	8/2021	Blanquart
2021/0040613	A1	2/2021	White et al.	2021/0254216	A1	8/2021	Mori et al.
2021/0040615	A1	2/2021	White et al.	2021/0254238	A1	8/2021	Khazaka et al.
2021/0043444	A1	2/2021	Blanquart	2021/0257213	A1	8/2021	Kikuchi et al.
2021/0050231	A1	2/2021	Oosterlaken	2021/0257509	A1	8/2021	Nishiwaki
2021/0054500	A1	2/2021	Zope et al.	2021/0265134	A1	8/2021	Singh et al.
2021/0054504	A1	2/2021	Wang et al.	2021/0265158	A1	8/2021	Kaneko
2021/0057214	A1	2/2021	Kengoyama et al.	2021/0268554	A1	9/2021	Mori
2021/0057223	A1	2/2021	Stevens et al.	2021/0269914	A1	9/2021	Väyrynen et al.
2021/0057275	A1	2/2021	Pierreux et al.	2021/0272821	A1	9/2021	Oosterlaken
2021/0057570	A1	2/2021	Lin et al.	2021/0273109	A1	9/2021	Yamazaki et al.
2021/0066075	A1	3/2021	Zhang et al.	2021/0280448	A1	9/2021	Ganguli et al.
2021/0066079	A1	3/2021	Lima et al.	2021/0285102	A1	9/2021	Yoon et al.
2021/0066080	A1	3/2021	Mattinen et al.	2021/0287878	A1	9/2021	Um et al.
2021/0066083	A1	3/2021	Haukka	2021/0287912	A1	9/2021	Shiba et al.
2021/0066084	A1	3/2021	Raisanen et al.	2021/0287928	A1	9/2021	Kim et al.
2021/0070783	A1	3/2021	Odedra et al.	2021/0288476	A1	9/2021	Wei
2021/0071296	A1	3/2021	Watarai et al.	2021/0292902	A1	9/2021	Kajbafvala et al.
				2021/0296130	A1	9/2021	Longrie et al.
				2021/0296144	A1	9/2021	Lin et al.
				2021/0310125	A1	10/2021	Ma et al.
				2021/0313150	A1	10/2021	Kang et al.
				2021/0313167	A1	10/2021	Pore et al.

(56)

References Cited

FOREIGN PATENT DOCUMENTS					
JP	2002118066	4/2002	JP	2016098406	5/2016
JP	2002164342	6/2002	JP	2010123843	6/2016
JP	2002170781	6/2002	JP	2016174158	9/2016
JP	2002237375	8/2002	JP	2017183242	10/2017
JP	2003035574	2/2003	JP	2017220011	12/2017
JP	2003053688	2/2003	JP	6519897	5/2019
JP	2003133300	5/2003	KR	1998-0026850	7/1998
JP	2003153706	5/2003	KR	20000000946	1/2000
JP	2003303814	10/2003	KR	10-0253664	4/2000
JP	2004014952	1/2004	KR	10-2000-0031098	6/2000
JP	2004023043	1/2004	KR	10-2000-0045257	7/2000
JP	2004088077	3/2004	KR	100273261	12/2000
JP	2004091848	3/2004	KR	10-0295043	4/2001
JP	2004113270	4/2004	KR	10-2002-0027695	4/2002
JP	2004128019	4/2004	KR	10-2002-0064028	8/2002
JP	2004134553	4/2004	KR	2002-0086763	11/2002
JP	2004163293	6/2004	KR	10-0377095	3/2003
JP	2004244298	9/2004	KR	2003-0092305	12/2003
JP	2004244661	9/2004	KR	10-2005-0054122	6/2005
JP	2005033221	9/2004	KR	10-0547248	1/2006
JP	2004294638	10/2004	KR	10-0593960	6/2006
JP	3589954	11/2004	KR	10-2006-0129566	12/2006
JP	2004310019	11/2004	KR	10-0688484	2/2007
JP	2005033221	2/2005	KR	20070041701	4/2007
JP	2005079254	3/2005	KR	10-2007-0079797	8/2007
JP	2005507030	3/2005	KR	10-2007-0084683	8/2007
JP	2005172489	6/2005	KR	10-2007-0117817	12/2007
JP	3725100	12/2005	KR	20080058620	6/2008
JP	2006028572	2/2006	KR	10-2009-0039936	4/2009
JP	2006049352	2/2006	KR	10-2009-0055443	6/2009
JP	2006059931	3/2006	KR	10-2009-0056475	6/2009
JP	2006090762	4/2006	KR	10-2009-0086790	8/2009
JP	2006124831	5/2006	KR	10-2009-0105977	10/2009
JP	2006124832	5/2006	KR	10-0936694	1/2010
JP	2006153706	6/2006	KR	10-2010-0015073	2/2010
JP	2006186271	7/2006	KR	10-2010-0020834	2/2010
JP	2006188729	7/2006	KR	10-2010-0032812	3/2010
JP	2006278058	10/2006	KR	10-2010-0077442	7/2010
JP	2006319261	11/2006	KR	10-2010-0079920	7/2010
JP	2007027777	2/2007	KR	10-2010-0122701	11/2010
JP	2007287902	11/2007	KR	10-2010-0132779	12/2010
JP	3140111	3/2008	KR	10-2011-0058534	6/2011
JP	2008060304	3/2008	KR	10-1114219	3/2012
JP	2008066159	3/2008	KR	20120111060	10/2012
JP	2008085129	4/2008	KR	10-2013-0007806	1/2013
JP	2008089320	4/2008	KR	10-2013-0067600	6/2013
JP	2008172083	7/2008	KR	10-2013-0129149	11/2013
JP	2008198629	8/2008	KR	10-1347962	1/2014
JP	2008202107	9/2008	KR	101491726	2/2015
JP	2009016815	1/2009	KR	10-1535573	7/2015
JP	2009088421	4/2009	KR	101758892	7/2017
JP	2009099938	5/2009	KR	10-2019-0032077	3/2019
JP	2009194248	8/2009	NL	8600255	9/1987
JP	2009239082	10/2009	NL	8701549	2/1989
JP	2009251216	10/2009	SU	494614	2/1976
JP	2009252851	10/2009	SU	1408319	7/1988
JP	2010067940	3/2010	SU	1786406	1/1993
JP	2010097834	4/2010	TW	538327	6/2003
JP	2010205967	9/2010	TW	540093	7/2003
JP	2010251444	10/2010	TW	M292692	6/2006
JP	2010255218	11/2010	TW	200731357	8/2007
JP	2011049592	3/2011	TW	200903625	1/2009
JP	2011162830	8/2011	TW	201213596	4/2012
JP	2011181681	9/2011	TW	201234453	8/2012
JP	2009010412	2/2012	TW	201247690	12/2012
JP	2012146939	8/2012	TW	M446412	2/2013
JP	2012164736	8/2012	TW	201330086	7/2013
JP	2012195513	10/2012	TW	D162593	8/2014
JP	2013026479	2/2013	TW	D164568	12/2014
JP	2013196822	9/2013	TW	201531587	8/2015
JP	2013235912	11/2013	TW	M512254	11/2015
JP	D1422467	8/2014	TW	1514509	12/2015
JP	2014222693	11/2014	TW	201613231	4/2016
JP	2015021175	2/2015	TW	M553518	12/2017
JP	2015115461	6/2015	TW	D196097	2/2019
			WO	1987001508	3/1987
			WO	1990004045	4/1990
			WO	1991004522	4/1991
			WO	1991006975	5/1991

(56)

References Cited

FOREIGN PATENT DOCUMENTS

WO	1992000477	1/1992
WO	1994027315	11/1994
WO	1996017107	6/1996
WO	1997003223	1/1997
WO	1998032893	7/1998
WO	1999023690	5/1999
WO	DM/048579	7/1999
WO	2004008491	7/2002
WO	2004007800	1/2004
WO	2004008827	1/2004
WO	2004010467	1/2004
WO	2004106584	12/2004
WO	2005112082	11/2005
WO	2006035281	4/2006
WO	2006054854	5/2006
WO	2006056091	6/2006
WO	2006078666	7/2006
WO	2006080782	8/2006
WO	2006097525	9/2006
WO	2006101857	9/2006
WO	2006114781	11/2006
WO	2007024720	3/2007
WO	2007027165	3/2007
WO	2007076195	7/2007
WO	2007088940	8/2007
WO	2007117718	10/2007
WO	2007131051	11/2007
WO	2007140376	12/2007
WO	2008045972	4/2008
WO	2008091900	7/2008
WO	2008121463	10/2008
WO	2008147731	12/2008
WO	2009028619	3/2009
WO	2009029532	3/2009
WO	2009039251	3/2009
WO	2009099776	8/2009
WO	2009154889	12/2009
WO	2009154896	12/2009
WO	2010039363	4/2010
WO	2010077533	7/2010
WO	2010100702	9/2010
WO	2010110558	9/2010
WO	2010118051	10/2010
WO	2010129428	11/2010
WO	2010129430	11/2010
WO	2010129431	11/2010
WO	2011019950	2/2011
WO	2011149640	12/2011
WO	2012056592	5/2012
WO	2012077590	6/2012
WO	2013043330	3/2013
WO	2013078065	5/2013
WO	2013078066	5/2013
WO	2013177269	11/2013
WO	2014107290	7/2014
WO	2015026230	2/2015
WO	2015107009	7/2015
WO	2015112728	7/2015
WO	2015127614	9/2015
WO	2016019795	2/2016
WO	2018109553	6/2016
WO	2018109554	6/2016
WO	2017108713	6/2017
WO	2017108714	6/2017
WO	2017125401	7/2017
WO	2017212546	12/2017
WO	2018003072	1/2018
WO	2018008088	1/2018
WO	2018013778	1/2018
WO	2018020316	2/2018
WO	2018020318	2/2018
WO	2018020320	2/2018
WO	2018020327	2/2018
WO	2018105349	6/2018
WO	2018109551	6/2018

WO	2018109552	6/2018
WO	2018178771	10/2018
WO	2019030565	2/2019
WO	2019103610	5/2019
WO	2019103613	5/2019
WO	2019142055	7/2019
WO	2019158960	8/2019
WO	2019214578	11/2019
WO	2019217749	11/2019
WO	2019229537	12/2019
WO	2020002995	1/2020
WO	2020003000	1/2020
WO	2020118100	6/2020
WO	2021072042	4/2021

OTHER PUBLICATIONS

CNIPA; Notice of Allowance dated Dec. 21, 2020 in Application No. 201610982040.X.

CNIPA; Office Action dated Nov. 20, 2020 in Application No. 201710762817.6.

CNIPA; Notice of Allowance dated Dec. 28, 2020 in Application No. 201930704935.1.

CNIPA; Notice of Allowance dated Dec. 10, 2020 in Application No. 202030352604.9.

CNIPA; Office Action dated Jan. 25, 2021 in Application No. 202030579755.8.

JPO; Notice of Allowance dated Nov. 27, 2020 in Application No. 2016-206625.

JPO; Office Action dated Jan. 26, 2021 in Application No. 2017-139817.

JPO; Notice of Allowance dated Nov. 26, 2020 in Application No. 2020-502653.

KIPO; Office Action dated Jan. 25, 2021 in Application No. 10-2014-0011765.

KIPO; Notice of Allowance dated Jan. 4, 2021 in Application No. 10-2014-0060120.

KIPO; Notice of Allowance dated Jan. 4, 2021 in Application No. 10-2014-0071653.

KIPO; Office Action dated Nov. 29, 2020 in Application No. 10-2014-0105478.

KIPO; Office Action dated Feb. 17, 2021 in Application No. 10-2014-0122903.

KIPO; Office Action dated Jan. 25, 2021 in Application No. 10-2014-0145220.

KIPO; Office Action dated Jan. 6, 2021 in Application No. 10-2015-0025314.

KIPO; Office Action dated Dec. 23, 2020 in Application No. 10-2019-0044213.

KIPO; Office Action dated Nov. 14, 2020 in Application No. 10-2020-0101096.

KIPO; Notice of Allowance dated Oct. 20, 2020 in Application No. 30-2019-0054642.

KIPO; Notice of Allowance dated Oct. 22, 2020 in Application No. 30-2019-0058566 (M001).

KIPO; Notice of Allowance dated Oct. 22, 2020 in Application No. 30-2019-0058566 (M002).

KIPO; Notice of Allowance dated Dec. 1, 2020 in Application No. 30-2019-0061607.

KIPO; Office Action dated Jan. 26, 2021 in Application No. 30-2020-0005953 (M001).

KIPO; Office Action dated Jan. 26, 2021 in Application No. 30-2020-0005953 (M002).

KIPO; Notice of Allowance dated Dec. 23, 2020 in Application No. 30-2020-0006059.

KIPO; Notice of Allowance dated Dec. 25, 2020 in Application No. 30-2020-0006223.

KIPO; Notice of Allowance dated Feb. 1, 2021 in Application No. 30-2020-0006385.

KIPO; Notice of Allowance dated Feb. 1, 2021 in Application No. 30-2020-0006391.

TIPO; Office Action dated Dec. 2, 2020 in Application No. 105131896.

(56)

References Cited

OTHER PUBLICATIONS

- TIPO; Notice of Allowance dated Jan. 29, 2021 in Application No. 105142668.
- TIPO; Notice of Allowance dated Dec. 10, 2020 in Application No. 106108152.
- TIPO; Notice of Allowance dated Jan. 25, 2021 in Application No. 106111548.
- TIPO; Office Action dated Sep. 30, 2020 in Application No. 106113604.
- TIPO; Office Action dated Jan. 6, 2021 in Application No. 106115126.
- TIPO; Office Action dated Dec. 21, 2020 in Application No. 106122231.
- TIPO; Office Action dated Dec. 29, 2020 in Application No. 106124126.
- TIPO; Office Action dated Dec. 9, 2020 in Application No. 106124128.
- TIPO; Office Action dated Jan. 25, 2021 in Application No. 106124129.
- TIPO; Office Action dated Dec. 9, 2020 in Application No. 106124130.
- TIPO; Office Action dated Jan. 20, 2021 in Application No. 106129491.
- TIPO; Office Action dated Feb. 8, 2021 in Application No. 106133152.
- TIPO; Office Action dated Dec. 24, 2019 in Application No. 108105002.
- TIPO; Notice of Allowance dated Nov. 24, 2020 in Application No. 108307599.
- TIPO; Notice of Allowance dated Jan. 11, 2021 in Application No. 108307599D01.
- TIPO; Notice of Allowance dated Jan. 11, 2021 in Application No. 109300591.
- TIPO; Notice of Allowance dated Jan. 11, 2021 in Application No. 109300593.
- TIPO; Office Action dated Jan. 11, 2021 in Application No. 109300594.
- USPTO; Non-Final Office Action dated Dec. 1, 2020 in U.S. Appl. No. 14/219,879.
- USPTO; Final Office Action dated Feb. 1, 2021 in U.S. Appl. No. 14/829,565.
- USPTO; Non-Final Office Action dated Dec. 24, 2020 in U.S. Appl. No. 15/286,503.
- USPTO; Final Office Action dated Feb. 12, 2021 in U.S. Appl. No. 15/377,439.
- USPTO Non-Final Office Action dated Dec. 10, 2020 in U.S. Appl. No. 15/380,921.
- USPTO; Non-Final Office Action dated Feb. 3, 2021 in U.S. Appl. No. 15/611,707.
- USPTO; Final Office Action dated Jan. 19, 2021 in U.S. Appl. No. 15/636,307.
- USPTO; Non-Final Office Action dated Jan. 6, 2021 in U.S. Appl. No. 15/726,959.
- USPTO; Advisory Action dated Dec. 15, 2020 in U.S. Appl. No. 15/835,328.
- USPTO; Notice of Allowance dated Jan. 14, 2021 in U.S. Appl. No. 15/835,352.
- USPTO; Final Office Action dated Jan. 11, 2021 in U.S. Appl. No. 15/890,037.
- USPTO; Advisory Action dated Jan. 8, 2021 in U.S. Appl. No. 15/923,834.
- USPTO; Advisory Action dated Dec. 24, 2020 in U.S. Appl. No. 15/925,532.
- USPTO; Non-Final Office Action dated Jan. 25, 2021 in U.S. Appl. No. 15/925,532.
- USPTO; Final Office Action dated Feb. 18, 2021 in U.S. Appl. No. 15/940,729.
- USPTO; Final Office Action dated Jan. 12, 2021 in U.S. Appl. No. 15/940,759.
- USPTO; Final Office Action dated Dec. 15, 2020 in U.S. Appl. No. 15/962,980.
- USPTO; Advisory Action dated Oct. 27, 2020 in U.S. Appl. No. 15/974,948.
- USPTO; Advisory Action dated Dec. 10, 2020 in U.S. Appl. No. 16/000,109.
- USPTO; Advisory Action dated Dec. 15, 2020 in U.S. Appl. No. 16/000,125.
- USPTO; Advisory Action dated Dec. 14, 2020 in U.S. Appl. No. 16/000,156.
- USPTO; Advisory Action dated Dec. 22, 2020 in U.S. Appl. No. 16/004,041.
- USPTO; Non-Final Office Action dated Nov. 24, 2020 in U.S. Appl. No. 16/039,938.
- USPTO; Advisory Action dated Jan. 14, 2021 in U.S. Appl. No. 16/055,532.
- USPTO; Final Office Action dated Dec. 15, 2020 in U.S. Appl. No. 16/108,950.
- USPTO; Final Office Action dated Jan. 6, 2021 in U.S. Appl. No. 16/117,530.
- USPTO; Notice of Allowance dated Feb. 12, 2021 in U.S. Appl. No. 16/128,282.
- USPTO; Notice of Allowance dated Feb. 8, 2021 in U.S. Appl. No. 16/132,142.
- USPTO; Final Office Action dated Dec. 14, 2020 in U.S. Appl. No. 16/151,074.
- USPTO; Advisory Action dated Feb. 16, 2021 in U.S. Appl. No. 16/151,074.
- USPTO; Final Office Action dated Dec. 18, 2020 in U.S. Appl. No. 16/167,164.
- USPTO; Advisory Action dated Dec. 21, 2020 in U.S. Appl. No. 16/172,535.
- USPTO; Final Office Action dated Jan. 29, 2021 in U.S. Appl. No. 16/176,517.
- USPTO; Non-Final Office Action dated Dec. 11, 2021 in U.S. Appl. No. 16/202,941.
- USPTO; Final Office Action dated Dec. 9, 2020 in U.S. Appl. No. 16/210,922.
- USPTO; Notice of Allowance dated Dec. 15, 2020 in U.S. Appl. No. 16/242,852.
- USPTO; Advisory Action dated Jan. 22, 2021 in U.S. Appl. No. 16/252,567.
- USPTO; Final Office Action dated Dec. 8, 2020 in U.S. Appl. No. 16/397,045.
- USPTO; Advisory Action dated Jan. 27, 2021 in U.S. Appl. No. 16/397,045.
- USPTO; Final Office Action dated Dec. 14, 2020 in U.S. Appl. No. 16/400,814.
- USPTO; Non-Final Office Action dated Jan. 12, 2021 in U.S. Appl. No. 16/453,249.
- USPTO; Non-Final Office Action dated Dec. 28, 2020 in U.S. Appl. No. 16/517,122.
- USPTO; Non-Final Office Action dated Feb. 11, 2021 in U.S. Appl. No. 16/565,460.
- USPTO; Notice of Allowance dated Jan. 25, 2021 in U.S. Appl. No. 16/679,885.
- USPTO; Non-Final Office Action dated Feb. 8, 2021 in U.S. Appl. No. 16/685,787.
- USPTO; Non-Final Office Action dated Jan. 8, 2021 in U.S. Appl. No. 16/752,514.
- USPTO; Notice of Allowance dated Dec. 28, 2020 in U.S. Appl. No. 16/833,279.
- USPTO; Notice of Allowance dated Nov. 23, 2020 in U.S. Appl. No. 29/726,623.
- Aoyagi et al. "Laser-assisted atomic layer epitaxy" *Materials Science and Engineering*, pp. 121-132 (1991).
- Galesic et al. "Formation of vanadium nitride by rapid thermal processing" *Thin Solid Films* 349(1), 7 pages (1999).
- Kim et al. "High Growth Rate in Atomic Layer Deposition of TiO₂ Thin Films by UV Irradiation" *Electrochemical and Solid-State Letters*, 14(4), pp. H146-H148 (2011).
- Lee et al. "Enhancement of Iodine Adsorption on Ruthenium Glue Layer for Seedless CECVD of Cu" *Electrochemical and Solid-State Letters*, 8(2) C39-C42 (2005).
- Lee et al. "Growth without Postannealing of Monoclinic VO₂ Thin Film by Atomic Layer Deposition Using VC14 as Precursor" *Coatings*, 8, 431, pp. 1-11 (2018).
- Lee et al. "Photo-Induced Atomic Layer Deposition of Tantalum Oxide Thin Films from Ta(OC₂H₅)₅ and O₂" *J of the Electrochemical Society*. 151(1) pp. C52-C55 (2004).

(56)

References Cited

OTHER PUBLICATIONS

Merdrignac-Conanec et al. "Nitridation under ammonia of high surface area vanadium aerogels" *Journal of Solid State Chemistry* 178(1), 8 pages (2005).

Nikolic et al. "The dependence of the work function of rare earth metals on their electron structure" *Microelectronics Journal* 27, 93-96 (1996).

Putkonen et al. "Low-Temperature ALE Deposition of Y2O3 Thin Films from β -Diketonate Precursors" *Chemical Vapor Deposition* 7(1) pp. 44-50 (2001).

US PPA 62274238 filed Jan. 1, 2016 in the names of Alexander S. Polyak et al., and entitled "Non-Metallic Thermal CVD/ALD Gas Injector and Purge System" pp. 1-63 (2016).

Vayrynen et al. "Photo-Assisted Atomic Layer Deposition and Chemical Vapor Deposition of Metal and Metal Oxide Thin Films" Thesis, Oct. 2015, 146 pages (2005).

CNIPA; Office Action dated Mar. 30, 2021 in Application No. 201610131743.1.

CNIPA; Office Action dated Mar. 1, 2021 in Application No. 201710131319.1.

CNIPA; Notice of Allowance dated Mar. 30, 2021 in Application No. 201710762817.6.

CNIPA; Office Action dated Jan. 28, 2021 in Application No. 201711057557.9.

CNIPA; Office Action dated Jan. 26, 2021 in Application No. 201711057929.8.

CNIPA; Office Action dated Apr. 19, 2021 in Application No. 201711328250.8.

CNIPA; Notice of Allowance dated Apr. 7, 2021 in Application No. 201780044761.9.

CNIPA; Office Action dated Jan. 29, 2021 in Application No. 201780076230.8.

CNIPA; Office Action dated Jan. 27, 2021 in Application No. 201780076321.1.

CNIPA; Office Action dated Mar. 24, 2021 in Application No. 201880048547.5.

CNIPA; Office Action dated Dec. 22, 2020 in Application No. 201910378791.4.

CNIPA; Notice of Allowance dated Apr. 7, 2021 in Application No. 202030579755.8.

EPO; Extended European Search Report dated Apr. 6, 2021 in Application No. 21150514.4.

JPO; Notice of Allowance dated Apr. 6, 2021 in Application No. 2017-139817.

JPO; Office Action dated Mar. 31, 2021 in Application No. 2018-024655.

JPO; Notice of Allowance dated Mar. 17, 2021 in Application No. 2020-010953.

KIPO; Office Action dated Mar. 23, 2021 in Application No. 10-2014-0011765.

KIPO; Office Action dated Apr. 27, 2021 in Application No. 10-2014-0027217.

KIPO; Notice of Allowance dated Apr. 15, 2021 in Application No. 10-2014-0103853.

KIPO; Notice of Allowance dated Mar. 25, 2021 in Application No. 10-2014-0128626.

KIPO; Office Action dated Apr. 20, 2021 in Application No. 10-2014-0136089.

KIPO; Office Action dated Mar. 19, 2021 in Application No. 10-2014-0156196.

KIPO; Office Action dated Mar. 29, 2021 in Application No. 10-2014-0165685.

KIPO; Office Action dated Apr. 5, 2021 in Application No. 10-2015-0031720.

KIPO; Office Action dated Apr. 19, 2021 in Application No. 10-2015-0035094.

KIPO; Office Action dated Mar. 8, 2021 in Application No. 10-2017-0054647.

KIPO; Office Action dated Mar. 10, 2021 in Application No. 10-2017-0055703.

KIPO; Notice of Allowance dated May 24, 2021 in Application No. 10-2020-0101096.

KIPO; Notice of Allowance dated Apr. 1, 2021 in Application No. 30-2020-0030139 (M001).

KIPO; Notice of Allowance dated Apr. 1, 2021 in Application No. 30-2020-0030139 (M002).

TIPO; Notice of Allowance dated May 13, 2021 in Application No. 105122394.

TIPO; Notice of Allowance dated Mar. 5, 2021 in Application No. 105131284.

TIPO; Office Action dated Feb. 25, 2021 in Application No. 105134275.

TIPO; Notice of Allowance dated Mar. 4, 2021 in Application No. 106100823.

TIPO; Notice of Allowance dated May 6, 2021 in Application No. 106108522.

TIPO; Notice of Allowance dated Mar. 4, 2021 in Application No. 106111693.

TIPO; Office Action dated Feb. 25, 2021 in Application No. 106121797.

TIPO; Office Action dated Apr. 26, 2021 in Application No. 106122231.

TIPO; Office Action dated Apr. 22, 2021 in Application No. 106124126.

TIPO; Office Action dated Apr. 22, 2021 in Application No. 106124128.

TIPO; Notice of Allowance dated Mar. 25, 2021 in Application No. 106124130.

TIPO; Office Action dated Mar. 4, 2021 in Application No. 106127948.

TIPO; Office Action dated Mar. 15, 2021 in Application No. 106129971.

TIPO; Office Action dated Apr. 7, 2021 in Application No. 106135925.

TIPO; Office Action dated Apr. 7, 2021 in Application No. 106136905.

TIPO; Office Action dated Mar. 29, 2021 in Application No. 106143559.

TIPO; Office Action dated Mar. 31, 2021 in Application No. 106143570.

TIPO; Office Action dated Jan. 15, 2021 in Application No. 108142842.

TIPO; Office Action dated Jan. 25, 2021 in Application No. 108143562.

TIPO; Notice of Allowance dated May 18, 2021 in Application No. 109300595.

TIPO; Notice of Allowance dated Mar. 30, 2021 in Application No. 109305460.

USPTO; Notice of Allowance dated Feb. 10, 2021 in U.S. Appl. No. 14/219,839.

USPTO; Advisory Action dated Apr. 13, 2021 in U.S. Appl. No. 14/829,565.

USPTO; Non-Final Office Action dated May 12, 2021 in U.S. Appl. No. 14/829,565.

USPTO; Final Office Action dated Feb. 24, 2021 in U.S. Appl. No. 15/262,990.

USPTO; Advisory Action dated Apr. 28, 2021 in U.S. Appl. No. 15/262,990.

USPTO; Final Office Action dated Mar. 25, 2021 in U.S. Appl. No. 15/286,503.

USPTO; Advisory Action dated Apr. 30, 2021 in U.S. Appl. No. 15/377,439.

USPTO; Final Office Action dated Jan. 7, 2021 in U.S. Appl. No. 15/380,909.

USPTO; Non-Final Office Action dated Feb. 9, 2021 in U.S. Appl. No. 15/402,993.

USPTO; Final Office Action dated May 21, 2021 in U.S. Appl. No. 15/402,993.

USPTO; Final Office Action dated Jun. 2, 2021 in U.S. Appl. No. 15/611,707.

USPTO; Advisory Action dated Mar. 25, 2021 in U.S. Appl. No. 15/636,307.

USPTO; Non-Final Office Action dated Apr. 21, 2021 in U.S. Appl. No. 15/636,307.

USPTO; Final Office Action dated Mar. 10, 2021 in U.S. Appl. No. 15/690,017.

USPTO; Notice of Allowance dated Apr. 16, 2021 in U.S. Appl. No. 15/691,241.

(56)

References Cited

OTHER PUBLICATIONS

- USPTO; Non-Final Office Action dated Mar. 18, 2021 in U.S. Appl. No. 15/835,328.
- USPTO; Notice of Allowance dated Mar. 19, 2021 in U.S. Appl. No. 15/890,037.
- USPTO; Final Office Action dated Apr. 19, 2021 in U.S. Appl. No. 15/909,705.
- USPTO; Non-Final Office Action dated May 20, 2021 in U.S. Appl. No. 15/917,224.
- USPTO; Non-Final Office Action dated Feb. 18, 2021 in U.S. Appl. No. 15/923,834.
- USPTO; Advisory Action dated Apr. 28, 2021 in U.S. Appl. No. 15/940,729.
- USPTO; Notice of Allowance dated Apr. 7, 2021 in U.S. Appl. No. 15/940,759.
- USPTO; Advisory Action dated Feb. 22, 2021 in U.S. Appl. No. 15/962,980.
- USPTO; Final Office Action dated Apr. 13, 2021 in U.S. Appl. No. 15/967,146.
- USPTO; Advisory Action dated Jun. 2, 2021 in U.S. Appl. No. 15/967,146.
- USPTO; Non-Final Office Action dated Feb. 19, 2021 in U.S. Appl. No. 15/974,948.
- USPTO; Non-Final Office Action dated May 25, 2021 in U.S. Appl. No. 15/985,539.
- USPTO; Non-Final Office Action dated Apr. 5, 2021 in U.S. Appl. No. 15/996,286.
- USPTO; Non-Final Office Action dated Feb. 4, 2021 in U.S. Appl. No. 16/000,109.
- USPTO; Non-Final Office Action dated May 19, 2021 in U.S. Appl. No. 16/000,125.
- USPTO; Notice of Allowance dated Feb. 5, 2021 in U.S. Appl. No. 16/000,156.
- USPTO; Non-Final Office Action dated Mar. 19, 2021 in U.S. Appl. No. 16/004,041.
- USPTO; Final Office Action dated Mar. 23, 2021 in U.S. Appl. No. 16/039,817.
- USPTO; Advisory Action dated May 28, 2021 in U.S. Appl. No. 16/039,817.
- USPTO; Final Office Action dated Mar. 8, 2021 in U.S. Appl. No. 16/042,791.
- USPTO; Advisory Action dated May 14, 2021 in U.S. Appl. No. 16/042,791.
- USPTO; Notice of Allowance dated Mar. 10, 2021 in U.S. Appl. No. 16/055,532.
- USPTO; Final Office Action dated Mar. 23, 2021 in U.S. Appl. No. 16/105,745.
- USPTO; Final Office Action dated Mar. 24, 2021 in U.S. Appl. No. 16/105,761.
- USPTO; Advisory Action dated May 20, 2021 in U.S. Appl. No. 16/105,761.
- USPTO; Final Office Action dated Mar. 18, 2021 in U.S. Appl. No. 16/105,802.
- USPTO; Advisory Action dated May 27, 2021 in U.S. Appl. No. 16/105,802.
- USPTO; Advisory Action dated Feb. 17, 2021 in U.S. Appl. No. 16/108,950.
- USPTO; Non-Final Office Action dated Apr. 13, 2021 in U.S. Appl. No. 16/108,950.
- USPTO; Notice of Allowance dated Mar. 23, 2021 in U.S. Appl. No. 16/116,708.
- USPTO; Advisory Action dated Mar. 10, 2021 in U.S. Appl. No. 16/117,530.
- USPTO; Non-Final Office Action dated Mar. 23, 2021 in U.S. Appl. No. 16/151,074.
- USPTO; Final Office Action dated May 6, 2021 in U.S. Appl. No. 16/152,260.
- USPTO; Notice of Allowance dated Feb. 24, 2021 in U.S. Appl. No. 16/167,164.
- USPTO; Non-Final Office Action dated Feb. 19, 2021 in U.S. Appl. No. 16/172,535.
- USPTO; Final Office Action dated May 27, 2021 in U.S. Appl. No. 16/172,535.
- USPTO; Advisory Action dated Apr. 5, 2021 in U.S. Appl. No. 16/176,517.
- USPTO; Notice of Allowance dated May 13, 2021 in U.S. Appl. No. 16/176,517.
- USPTO; Notice of Allowance dated Feb. 19, 2021 in U.S. Appl. No. 16/183,258.
- USPTO; Notice of Allowance dated Feb. 10, 2021 in U.S. Appl. No. 16/205,899.
- USPTO; Non-Final Office Action dated Mar. 29, 2021 in U.S. Appl. No. 16/206,589.
- USPTO; Advisory Action dated Feb. 25, 2021 in U.S. Appl. No. 16/210,922.
- USPTO; Final Office Action dated Mar. 29, 2021 in U.S. Appl. No. 16/219,555.
- USPTO; Non-Final Office Action dated May 2, 2021 in U.S. Appl. No. 16/240,392.
- USPTO; Advisory Action dated Jan. 26, 2021 in U.S. Appl. No. 16/251,534.
- USPTO; Non-Final Office Action dated Feb. 23, 2021 in U.S. Appl. No. 16/251,534.
- USPTO; Non-Final Office Action dated Mar. 30, 2021 in U.S. Appl. No. 16/252,567.
- USPTO; Non-Final Office Action dated Mar. 4, 2021 in U.S. Appl. No. 16/252,569.
- USPTO; Non-Final Office Action dated Apr. 20, 2021 in U.S. Appl. No. 16/397,045.
- USPTO; Notice of Allowance dated Mar. 10, 2021 in U.S. Appl. No. 16/400,814.
- USPTO; Non-Final Office Action dated May 7, 2021 in U.S. Appl. No. 16/423,824.
- USPTO; Notice of Allowance dated Apr. 28, 2021 in U.S. Appl. No. 16/453,249.
- USPTO; Final Office Action dated May 20, 2021 in U.S. Appl. No. 16/468,258.
- USPTO; Notice of Allowance dated Apr. 26, 2021 in U.S. Appl. No. 16/517,122.
- USPTO; Final Office Action dated May 12, 2021 in U.S. Appl. No. 16/546,543.
- USPTO; Non-Final Office Action dated Feb. 1, 2021 in U.S. Appl. No. 16/563,473.
- USPTO; Non-Final Office Action dated May 10, 2021 in U.S. Appl. No. 16/601,593.
- USPTO; Non-Final Office Action dated Feb. 24, 2021 in U.S. Appl. No. 16/637,134.
- USPTO; Notice of Allowance dated Jun. 2, 2021 in U.S. Appl. No. 16/637,134.
- USPTO; Notice of Allowance dated Apr. 30, 2021 in U.S. Appl. No. 16/685,787.
- USPTO; Non-Final Office Action dated Apr. 5, 2021 in U.S. Appl. No. 16/704,835.
- USPTO; Final Office Action dated Feb. 22, 2021 in U.S. Appl. No. 16/713,311.
- USPTO; Notice of Allowance dated May 20, 2021 in U.S. Appl. No. 16/752,514.
- USPTO; Notice of Allowance dated May 24, 2021 in U.S. Appl. No. 16/765,125.
- USPTO; Non-Final Office Action dated Apr. 15, 2021 in U.S. Appl. No. 16/789,138.
- USPTO; Notice of Allowance dated May 12, 2021 in U.S. Appl. No. 16/800,114.
- USPTO; Non-Final Office Action dated Apr. 5, 2021 in U.S. Appl. No. 16/816,078.
- USPTO; Non-Final Office Action dated May 19, 2021 in U.S. Appl. No. 16/828,753.
- USPTO; Non-Final Office Action dated May 4, 2021 in U.S. Appl. No. 16/872,045.
- USPTO; Non-Final Office Action dated May 3, 2021 in U.S. Appl. No. 16/878,443.

(56)

References Cited

OTHER PUBLICATIONS

- USPTO; Non-Final Office Action dated Dec. 31, 2020 in U.S. Appl. No. 16/924,595.
- USPTO; Non-Final Office Action dated May 25, 2021 in U.S. Appl. No. 16/935,280.
- USPTO; Non-Final Office Action dated Apr. 14, 2021 in U.S. Appl. No. 17/009,093.
- USPTO; Ex Parte Quayle Action dated Apr. 13, 2021 in U.S. Appl. No. 29/679,620.
- USPTO; Notice of Allowance dated May 19, 2021 in U.S. Appl. No. 29/702,881.
- Aubin et al. "Very low temperature (450° C) selective epitaxial growth of heavily in situ boron-doped SiGe layers" *Semiconductor Science and Technology*, 30, 10 pages (2015).
- Barnscheidt et al. "Highly boron-doped germanium layers on Si(001) grown by carbon-mediated epitaxy" *Semiconductor Science and Technology*, 33, 9 pages (2018).
- Belyansky et al. "Low Temperature Borophosphosilicate Glass (BPSG) Process for High Aspect Ratio Gap Fill" www.electrochem.org/dl/ma/201/pdfs/0705.pdf, downloaded May 15, 2021, 1 page.
- Cheremisin et al. "UV-laser modification and selective ion-beam etching of amorphous vanadium pentoxide thin films" *Phys. Status Solidi A, Applications and materials science*, 206 (7), pp. 1484-1487 (2009).
- Dingemans et al. "Plasma-Assisted ALD for the Conformal Deposition of SiO₂: Process, Material and Electronic Properties" *J of the Electrochemical Society*, 159(3), H277-H285 (2012).
- G02-1152 "Atomic Layer Deposition of Al₂O₃ with Alcohol Oxidants for Impeding Substrate Oxidation" Abstract. Oct. 16, 2019 (2019).
- Imamura et al. "Cyclic C₄F₈ and O₂ plasma etching of TiO₂ for high-aspect-ratio three-dimensional devices" *Template for JJAP Regular Papers*, Jan. 2014, p. 29 (2014).
- Kim et al. "A process for topographically selective deposition on 3D nanostructures by ion implantation" *ACS Nano*, 10, 4, 4451-4458 (2016).
- Lee et al. "Ultraviolet light enhancement of Ta₂O₅ dry etch rates" *J. of Vacuum Science & Technology B: Microelectronics and Nanometer Structures Processing, Measurement, and Phenomena*, 18, pp. 293-295 (2000).
- Musschoot et al. "Atomic layer deposition of titanium nitride from TDMAT precursor" *Microelectronic Engineering*, 86, pp. 72-77 (2009).
- Noirecler et al. "Transmission electron microscopy characterization of low temperature boron doped silicon epitaxial films" *CrystEngComm*, 22(33), pp. 5464-5472 (2020).
- Oyama et al. "Topotactic synthesis of vanadium nitride solid foams" *Journal of Materials Research* vol. 8. No. 6, pp. 1450-1454 (1993).
- Rimoldi et al. "Atomic Layer Deposition of Rhenium-Aluminum Oxide Thin Films and ReOx Incorporation in a Metal-Organic Framework" *Applied Materials & Interfaces*, 9, pp. 35067-35074 (2017).
- Standard Motor Products LX249 Ignition Pick Up, Nov. 11, 2005, Amazon.com, May 10, 2021. URL: <https://www.amazon.com/Standard-Motor-Products-LX249-Ignition/dp/B000C7ZTS4/> (2005).
- Tao et al. "Improved performance of GeON as charge storage layer in flash memory by optimal annealing" *Microelectronics Reliability*, vol. 52, pp. 2597-2601 (2012).
- Wirths et al. "Low temperature RPCVD epitaxial growth of SilxGex using Si₂H₆ and Ge₂H₆" *Solid-State Electronics*, 88, pp. 2-9 (2013).
- Yanguas-Gil et al. "Modulation of the Growth Per Cycle in Atomic Layer Deposition Using Reversible Surface Functionalization" *Chemistry of Materials*, 25, pp. 4849-4860 (2013).
- CNIPA; Office Action dated Jul. 21, 2021 in Application No. 201610131743.1.
- CNIPA; Office Action dated Jul. 23, 2021 in Application No. 201710131319.1.
- CNIPA; Notice of Allowance dated Jun. 3, 2021 in Application No. 201711057929.8.
- CNIPA; Office Action dated Sep. 13, 2021 in Application No. 201780076230.8.
- CNIPA; Office Action dated Sep. 13, 2021 in Application No. 201780076321.1.
- CNIPA; Office Action dated Apr. 30, 2021 in Application No. 201810018936.5.
- CNIPA; Office Action dated Apr. 16, 2021 in Application No. 201810116717.0.
- CNIPA; Notice of Allowance dated Sep. 15, 2021 in Application No. 201810116717.0.
- CNIPA; Office Action dated May 26, 2021 in Application No. 201810215131.X.
- CNIPA; Office Action dated Jun. 16, 2021 in Application No. 201810344382.8.
- CNIPA; Notice of Allowance dated Oct. 11, 2021 in Application No. 201810344382.8.
- CNIPA; Office Action dated Jul. 5, 2021 in Application No. 201810530514.6.
- CNIPA; Office Action dated Jun. 30, 2021 in Application No. 201810755771.X.
- CNIPA; Office Action dated Sep. 23, 2021 in Application No. 201880048547.5.
- CNIPA; Office Action dated May 19, 2021 in Application No. 201880072606.2.
- CNIPA; Office Action dated May 31, 2021 in Application No. 201910857144.1.
- CNIPA; Office Action dated Jun. 2, 2021 in Application No. 201910920881.1.
- CNIPA; Office Action dated Jul. 5, 2021 in Application No. 201911042495.3.
- CNIPA; Office Action dated Apr. 27, 2021 in Application No. 201911250100.9.
- CNIPA; Office Action dated Jul. 7, 2021 in Application No. 201980011788.7.
- CNIPA; Notice of Allowance dated Jun. 16, 2021 in Application No. 202130111248.6.
- EPO; Extended European Search Report dated Aug. 11, 2021 in Application No. 21169226.4.
- JPO; Notice of Allowance dated Aug. 11, 2021 in Application No. 2018-024655.
- JPO; Office Action dated Aug. 2, 2021 in Application No. 2019-504674.
- JPO; Office Action dated Sep. 10, 2021 in Application No. 2019-531445.
- JPO; Notice of Allowance dated Jun. 30, 2021 in Application No. 2021-004208.
- KIPO; Office Action dated Jun. 28, 2021 in Application No. 10-2014-0027217.
- KIPO; Notice of Allowance dated May 27, 2021 in Application No. 10-2014-0105478.
- KIPO; Notice of Allowance dated Aug. 17, 2021 in Application No. 10-2014-0122903.
- KIPO; Notice of Allowance dated Sep. 8, 2021 in Application No. 10-2014-0136089.
- KIPO; Notice of Allowance dated Jul. 6, 2021 in Application No. 10-2014-0145220.
- KIPO; Notice of Allowance dated Sep. 23, 2021 in Application No. 2014-0156196.
- KIPO; Notice of Allowance dated Jul. 21, 2021 in Application No. 10-2015-0025314.
- KIPO; Office Action dated May 19, 2021 in Application No. 10-2015-0036819.
- KIPO; Office Action dated Jun. 23, 2021 in Application No. 10-2015-0037658.
- KIPO; Office Action dated Sep. 6, 2021 in Application No. 10-2015-0046393.
- KIPO; Office Action dated Jun. 10, 2021 in Application No. 2015-61391.
- KIPO; Office Action dated Sep. 3, 2021 in Application No. 2017-37847.
- KIPO; Office Action dated Aug. 2, 2021 in Application No. 2017-43865.

(56)

References Cited

OTHER PUBLICATIONS

KIPO; Office Action dated Oct. 1, 2021 in Application No. 2017-43919.
KIPO; Office Action dated Sep. 28, 2021 in Application No. 2017-49172.
KIPO; Notice of Allowance dated Sep. 28, 2021 in Application No. 2017-54647.
KIPO; Office Action dated in Aug. 30, 2021 in Application No. 2017-81515.
KIPO; Office Action dated Sep. 10, 2021 in Application No. 2017-86083.
KIPO; Office Action dated Jun. 29, 2021 in Application No. 10-2017-0066979.
KIPO; Notice of Allowance dated Jun. 24, 2021 in Application No. 10-2019-0044213.
KIPO; Office Action dated Jun. 17, 2021 in Application No. 10-2021-0051860.
KIPO; Office Action dated Aug. 18, 2021 in Application No. 10-2021-0090283.
KIPO; Notice of Allowance dated Sep. 2, 2021 in Application No. 30-2020-0047043.
TIPO; Office Action dated Jun. 22, 2021 in Application No. 104108277.
TIPO; Notice of Allowance dated Sep. 22, 2021 in Application No. 104108277.
TIPO; Office Action dated Jun. 2, 2021 in Application No. 105129977.
TIPO; Notice of Allowance dated Sep. 9, 2021 in Application No. 105129977.
TIPO; Notice of Allowance dated Jun. 4, 2021 in Application No. 105131896.
TIPO; Notice of Allowance dated Jul. 30, 2021 in Application No. 105134275.
TIPO; Notice of Allowance dated Feb. 24, 2021 in Application No. 106113604.
TIPO; Notice of Allowance dated Sep. 3, 2021 in Application No. 106115126.
TIPO; Office Action dated Jun. 21, 2021 in Application No. 106120902.
TIPO; Notice of Allowance dated Jun. 30, 2021 in Application No. 106121797.
TIPO; Notice of Allowance dated Sep. 1, 2021 in Application No. 106122231.
TIPO; Notice of Allowance dated Jun. 3, 2021 in Application No. 106123203.
TIPO; Notice of Allowance dated Aug. 24, 2021 in Application No. 106124129.
TIPO; Notice of Allowance dated Jul. 28, 2021 in Application No. 106129491.
TIPO; Notice of Allowance dated Aug. 10, 2021 in Application No. 106129971.
TIPO; Office Action dated Jun. 15, 2021 in Application No. 106133152.
TIPO; Notice of Allowance dated Oct. 12, 2021 in Application No. 106135925.
TIPO; Office Action dated Jul. 13, 2021 in Application No. 106138996.
TIPO; Notice of Allowance dated Sep. 24, 2021 in Application No. 106143559.
TIPO; Office Action dated Aug. 5, 2021 in Application No. 106143566.
TIPO; Office Action dated May 26, 2021 in Application No. 106143568.
TIPO; Notice of Allowance dated Jul. 30, 2021 in Application No. 106143570.
TIPO; Office Action dated Jun. 7, 2021 in Application No. 107103230.
TIPO; Office Action dated Aug. 10, 2021 in Application No. 107103230.
TIPO; Office Action dated Sep. 8, 2021 in Application No. 107105788.
TIPO; Office Action dated Aug. 3, 2021 in Application No. 107105982.
TIPO; Office Action dated Aug. 16, 2021 in Application No. 107114888.
TIPO; Office Action dated Sep. 28, 2021 in Application No. 109112983.
TIPO; Office Action dated Sep. 13, 2021 in Application No. 109119438.

TIPO; Office Action dated Oct. 18, 2021 in Application No. 109300594.
TIPO; Notice of Allowance dated Jun. 9, 2021 in Application No. 109303437.
TIPO; Notice of Allowance dated Oct. 1, 2021 in Application No. 110118827.
TIPO; Notice of Allowance dated Jun. 30, 2021 in Application No. 110301018.
TIPO; Notice of Allowance dated Jul. 29, 2021 in Application No. 110301101.
TIPO; Notice of Allowance dated Jul. 27, 2021 in Application No. 110302670.
USPTO; Final Office Action dated Aug. 4, 2021 in U.S. Appl. No. 14/219,879.
USPTO; Non-Final Office Action dated Jun. 10, 2021 in U.S. Appl. No. 15/262,990.
USPTO; Final Office Action dated Oct. 1, 2021 in U.S. Appl. No. 15/262,990.
USPTO; Non-Final Office Action dated Jul. 9, 2021 in U.S. Appl. No. 15/286,503.
USPTO; Notice of Allowance dated Jun. 29, 2021 in U.S. Appl. No. 15/377,439.
USPTO; Non-Final Office Action dated Jun. 25, 2021 in U.S. Appl. No. 15/380,909.
USPTO; Final Office Action dated Jun. 21, 2021 in U.S. Appl. No. 15/380,921.
USPTO; Advisory Action dated Aug. 30, 2021 in U.S. Appl. No. 15/380,921.
USPTO; Non-Final Office Action dated Oct. 6, 2021 in U.S. Appl. No. 15/380,921.
USPTO; Advisory Action dated Jul. 27, 2021 in U.S. Appl. No. 15/402,993.
USPTO; Final Office Action dated Jun. 9, 2021 in U.S. Appl. No. 15/491,726.
USPTO; Advisory Action dated Aug. 24, 2021 in U.S. Appl. No. 15/491,726.
USPTO; Non-Final Office Action dated Sep. 28, 2021 in U.S. Appl. No. 15/491,726.
USPTO; Notice of Allowance dated Aug. 25, 2021 in U.S. Appl. No. 15/611,707.
USPTO; Non-Final Office Action dated Sep. 16, 2021 in U.S. Appl. No. 15/636,307.
USPTO; Advisory Action dated Jun. 11, 2021 in U.S. Appl. No. 15/690,017.
USPTO; Non-Final Office Action dated Jun. 17, 2021 in U.S. Appl. No. 15/690,017.
USPTO; Final Office Action dated Jul. 15, 2021 in U.S. Appl. No. 15/726,959.
USPTO; Advisory Action dated Sep. 21, 2021 in U.S. Appl. No. 15/726,959.
USPTO; Notice of Allowance dated Sep. 15, 2021 in U.S. Appl. No. 15/835,328.
USPTO; Advisory Action dated Jun. 11, 2021 in U.S. Appl. No. 15/909,705.
USPTO; Notice of Allowance dated Jun. 4, 2021 in U.S. Appl. No. 15/923,834.
USPTO; Final Office Action dated Jun. 28, 2021 in U.S. Appl. No. 15/925,532.
USPTO; Advisory Action dated Aug. 27, 2021 in U.S. Appl. No. 15/925,532.
USPTO; Non-Final Office Action dated Oct. 6, 2021 in U.S. Appl. No. 15/925,532.
USPTO; Non-Final Office Action dated Jun. 16, 2021 in U.S. Appl. No. 15/940,729.
USPTO; Notice of Allowance dated Sep. 28, 2021 in U.S. Appl. No. 15/940,729.
USPTO; Non-Final Office Action dated Aug. 2, 2021 in U.S. Appl. No. 15/962,980.
USPTO; Non-Final Office Action dated Oct. 4, 2021 in U.S. Appl. No. 15/967,146.
USPTO; Final Office Action dated Aug. 3, 2021 in U.S. Appl. No. 15/974,948.

(56)

References Cited

OTHER PUBLICATIONS

- USPTO; Advisory Action dated Oct. 21, 2021 in U.S. Appl. No. 15/974,948.
- USPTO; Final Office Action dated Oct. 12, 2021 in U.S. Appl. No. 15/996,286.
- USPTO; Non-Final Office Action dated Jul. 9, 2021 in U.S. Appl. No. 15/997,445.
- USPTO; Final Office Action dated Aug. 5, 2021 in U.S. Appl. No. 16/000,109.
- USPTO; Final Office Action dated Oct. 20, 2021 in U.S. Appl. No. 16/000,125.
- USPTO; Final Office Action dated Sep. 3, 2021 in U.S. Appl. No. 16/004,041.
- USPTO; Non-Final Office Action dated Oct. 22, 2021 in U.S. Appl. No. 16/042,791.
- USPTO; Non-Final Office Action dated Sep. 28, 2021 in U.S. Appl. No. 16/105,745.
- USPTO; Non-Final Office Action dated Sep. 29, 2021 in U.S. Appl. No. 16/105,761.
- USPTO; Non-Final Office Action dated Jun. 25, 2021 in U.S. Appl. No. 16/105,802.
- USPTO; Final Office Action dated Jul. 27, 2021 in U.S. Appl. No. 16/108,950.
- USPTO; Advisory Action dated Oct. 1, 2021 in U.S. Appl. No. 16/108,950.
- USPTO; Non-Final Office Action dated Jun. 18, 2021 in U.S. Appl. No. 16/117,530.
- USPTO; Final Office Action dated Jul. 8, 2021 in U.S. Appl. No. 16/151,074.
- USPTO; Notice of Allowance dated Sep. 17, 2021 in U.S. Appl. No. 16/151,074.
- USPTO; Non-Final Office Action dated Sep. 16, 2021 in U.S. Appl. No. 16/152,260.
- USPTO; Advisory Action dated Aug. 2, 2021 in U.S. Appl. No. 16/172,535.
- USPTO; Non-Final Office Action dated Oct. 15, 2021 in U.S. Appl. No. 16/172,535.
- USPTO; Final Office Action dated Jun. 14, 2021 in U.S. Appl. No. 16/202,941.
- USPTO; Advisory Action dated Aug. 16, 2021 in U.S. Appl. No. 16/202,941.
- USPTO; Non-Final Office Action dated Sep. 20, 2021 in U.S. Appl. No. 16/202,941.
- USPTO; Final Office Action dated Jul. 26, 2021 in U.S. Appl. No. 16/206,589.
- USPTO; Notice of Allowance dated Sep. 13, 2021 in U.S. Appl. No. 16/206,589.
- USPTO; Non-Final Office Action dated Aug. 25, 2021 in U.S. Appl. No. 16/210,922.
- USPTO; Final Office Action dated Sep. 1, 2021 in U.S. Appl. No. 16/240,392.
- USPTO; Notice of Allowance dated Oct. 15, 2021 in U.S. Appl. No. 16/240,392.
- USPTO; Final Office Action dated Sep. 7, 2021 in U.S. Appl. No. 16/251,534.
- USPTO; Final Office Action dated Aug. 18, 2021 in U.S. Appl. No. 16/252,567.
- USPTO; Final Office Action dated Jul. 21, 2021 in U.S. Appl. No. 16/252,569.
- USPTO; Advisory Action dated Jul. 15, 2021 in U.S. Appl. No. 16/468,258.
- USPTO; Non-Final Office Action dated Oct. 21, 2021 in U.S. Appl. No. 16/468,258.
- USPTO; Advisory Action dated Jul. 8, 2021 in U.S. Appl. No. 16/546,543.
- USPTO; Ex Parte Quayle Action dated Aug. 6, 2021 in U.S. Appl. No. 16/563,473.
- USPTO; Notice of Allowance dated Sep. 30, 2021 in U.S. Appl. No. 16/563,473.
- USPTO; Non-Final Office Action dated Oct. 5, 2021 in U.S. Appl. No. 16/588,807.
- USPTO; Notice of Allowance dated Oct. 18, 2021 in U.S. Appl. No. 16/601,593.
- USPTO; Non-Final Office Action dated Jun. 11, 2021 in U.S. Appl. No. 16/671,847.
- USPTO; Non-Final Office Action dated Jun. 24, 2021 in U.S. Appl. No. 16/673,860.
- USPTO; Non-Final Office Action dated Sep. 28, 2021 in U.S. Appl. No. 16/692,859.
- USPTO; Notice of Allowance dated Jul. 20, 2021 in U.S. Appl. No. 16/704,835.
- USPTO; Non-Final Office Action dated Aug. 31, 2021 in U.S. Appl. No. 16/712,707.
- USPTO; Non-Final Office Action dated Sep. 21, 2021 in U.S. Appl. No. 16/736,336.
- USPTO; Final Office Action dated Sep. 15, 2021 in U.S. Appl. No. 16/789,138.
- USPTO; Non-Final Office Action dated Jun. 24, 2021 in U.S. Appl. No. 16/792,058.
- USPTO; Notice of Allowance dated Oct. 19, 2021 in Application No. 16/792,058.
- USPTO; Non-Final Office Action dated Oct. 6, 2021 in U.S. Appl. No. 16/792,544.
- USPTO; Notice of Allowance dated Sep. 27, 2021 in U.S. Appl. No. 16/792,571.
- USPTO; Non-Final Office Action dated Aug. 17, 2021 in U.S. Appl. No. 16/797,346.
- USPTO; Notice of Allowance dated Jul. 21, 2021 in U.S. Appl. No. 16/816,078.
- USPTO; Non-Final Office Action dated Jun. 23, 2021 in U.S. Appl. No. 16/827,012.
- USPTO; Non-Final Office Action dated Feb. 23, 2021 in U.S. Appl. No. 16/827,506.
- USPTO; Notice of Allowance dated May 27, 2021 in U.S. Appl. No. 16/827,506.
- USPTO; Final Office Action dated Oct. 6, 2021 in U.S. Appl. No. 16/828,753.
- USPTO; Non-Final Office Action dated Jul. 28, 2021 in U.S. Appl. No. 16/835,283.
- USPTO; Non-Final Office Action dated Oct. 4, 2021 in U.S. Appl. No. 16/840,960.
- USPTO; Non-Final Office Action dated Aug. 3, 2021 in U.S. Appl. No. 16/849,793.
- USPTO; Non-Final Office Action dated Jun. 15, 2021 in U.S. Appl. No. 16/861,144.
- USPTO; Final Office Action dated Sep. 17, 2021 in U.S. Appl. No. 16/861,144.
- USPTO; Non-Final Office Action dated Sep. 1, 2021 in U.S. Appl. No. 16/867,385.
- USPTO; Final Office Action dated Oct. 7, 2021 in U.S. Appl. No. 16/872,045.
- USPTO; Final Office Action dated Oct. 14, 2021 in U.S. Appl. No. 16/878,443.
- USPTO; Non-Final Office Action dated Oct. 4, 2021 in U.S. Appl. No. 16/886,405.
- USPTO; Non-Final Office Action dated Jul. 28, 2021 in U.S. Appl. No. 16/888,423.
- USPTO; Non-Final Office Action dated Oct. 13, 2021 in U.S. Appl. No. 16/893,206.
- USPTO; Notice of Allowance dated Jun. 17, 2021 in U.S. Appl. No. 16/924,595.
- USPTO; Non-Final Office Action dated Jul. 27, 2021 in U.S. Appl. No. 16/930,193.
- USPTO; Non-Final Office Action dated Jun. 25, 2021 in U.S. Appl. No. 16/930,305.
- USPTO; Non-Final Office Action dated Sep. 14, 2021 in U.S. Appl. No. 16/932,707.
- USPTO; Non-Final Office Action dated Oct. 4, 2021 in U.S. Appl. No. 16/935,275.
- USPTO; Notice of Allowance dated Sep. 22, 2021 in U.S. Appl. No. 16/935,280.

(56)

References Cited

OTHER PUBLICATIONS

- USPTO; Non-Final Office Action dated Aug. 23, 2021 in U.S. Appl. No. 16/938,868.
- USPTO; Non-Final Office Action dated Oct. 12, 2021 in U.S. Appl. No. 16/944,763.
- USPTO; Non-Final Office Action dated Aug. 19, 2021 in U.S. Appl. No. 16/992,806.
- USPTO; Non-Final Office Action dated Jul. 7, 2021 in U.S. Appl. No. 16/999,065.
- USPTO; Final Office Action dated Oct. 21, 2021 in U.S. Appl. No. 16/999,065.
- USPTO; Final Office Action dated Jul. 23, 2021 in U.S. Appl. No. 17/009,093.
- USPTO; Advisory Action dated Oct. 5, 2021 in U.S. Appl. No. 17/009,093.
- USPTO; Non-Final Office Action dated Sep. 28, 2021 in U.S. Appl. No. 17/023,129.
- USPTO; Notice of Allowance dated Oct. 14, 2021 in U.S. Appl. No. 17/024,092.
- USPTO; Notice of Allowance dated Oct. 4, 2021 in U.S. Appl. No. 17/028,066.
- USPTO; Non-Final Office Action dated Sep. 10, 2021 in U.S. Appl. No. 17/038,514.
- USPTO; Non-Final Office Action dated Oct. 22, 2021 in U.S. Appl. No. 17/073,544.
- USPTO; Non-Final Office Action dated Sep. 30, 2021 in U.S. Appl. No. 17/093,224.
- USPTO; Non-Final Office Action dated Sep. 22, 2021 in U.S. Appl. No. 17/126,275.
- USPTO; Non-Final Office Action dated Sep. 23, 2021 in U.S. Appl. No. 17/254,111.
- USPTO; Non-Final Office Action dated Sep. 27, 2021 in U.S. Appl. No. 17/254,366.
- USPTO; Notice of Allowance dated Jul. 1, 2021 in U.S. Appl. No. 29/679,620.
- USPTO; Notice of Allowance dated Jul. 9, 2021 in U.S. Appl. No. 29/692,490.
- USPTO; Non-Final Office Action dated Jul. 14, 2021 in U.S. Appl. No. 29/695,044.
- USPTO; Notice of Allowance dated Jun. 8, 2021 in U.S. Appl. No. 29/696,472.
- USPTO; Notice of Allowance dated Sep. 21, 2021 in U.S. Appl. No. 29/702,865.
- Alen et al. "Atomic layer deposition of molybdenum nitride thin films for Cu metallizations" *J of The Electrochemical Society*, 152(5) G361-G366 (2005).
- Best et al. "Complex Halides of the Transition Metals. 24.1 Reactions of Dimeric Molybdenum (II) Halide Complexes Containing Strong Metal-Metal Bonds with Bidentate Tertiary Phosphines and Arsines" *Inorganic Chemistry*, vol. 17, No. 1, pp. 99-104 (1978).
- Blakeney et al. "Atomic Layer Deposition of Aluminum Metal Films Using a Thermally Stable Aluminum Hydride Reducing Agent" *Chem. Mater.*, 30, pp. 1844-1848 (2018).
- Buitrago et al. "SnOx high-efficiency EUV interference lithography gratings towards the ultimate resolution in photolithography" *Abstract*, 1 page (2016).
- Buitrago et al. "State-of-the-art EUV materials and processes for the 7 nm node and beyond" *Proc of SPIE*, vol. 10143, 8 pages (2017).
- Cheng et al. "Improved High-Temperature Leakage in High-Density MIM Capacitors by Using a TiLaO Dielectric and an Ir Electrode" *IEEE Electron Device Letters*, vol. 28, No. 12, 3 pages (2007).
- Firestop Support Plate, Type B, 6 In Apr. 4, 2012, Amazon. Com, May 10, 2021, <https://www.amazon.com/AmeriVent-Firestop-Support-Plate-Type/dp/B007R7W951/> (2012).
- Gertsch et al. "SF4 as the Fluorination Reactant for Al2O3 and VO2 Thermal Atomic Layer Etching" *Chem. Mater.*, 31, pp. 3624-3635 (2019).
- Han et al. "Synthesis and characterization of novel zinc precursors for ZnO thin film deposition by atomic layer deposition" *Dalton Transactions* 49.14 (2020): 4306-4314.
- Hayashi et al. "2,2-Difluoro-1,3-dimethylimidazolidine (DFI). A new fluorinating agent" *Chem. Commun.* pp. 1618-1619 (2002).
- Imai et al. "Energetic stability and magnetic moment of tri-, tetra-, and octa-ferromagnetic element nitrides predicted by first-principle calculations" *J of Alloys and Compounds*, vol. 611, 19 pages (2019).
- Jacoby "Chemical deposition methods to the rescue" *Chem. Commun.*, pp. 29-32 (2018).
- Jiang et al. "Sensitizer for EUV Chemically Amplified Resist: Metal versus Halogen" *J of Photopolymer Science and Technology*, vol. 32, No. 1, pp. 21-25 (2019).
- Kang et al. "Optical Performance of Extreme Ultraviolet Lithography Mask with an Indium Tin Oxide Absorber" *J of Nanoscience and Nanotechnology*, vol. 12, pp. 3330-3333 (2012).
- Kim et al. "Atomic layer deposition of transition metals for silicide contact formation: Growth characteristics and silicidation" *Micro-electronic Engineering*, 106, pp. 69-75 (2013).
- Lim et al. "Atomic layer deposition of transition metals" *Nature Materials*, vol. 2 pp. 749-754 (2003).
- Maina et al. "Atomic layer deposition of transition metal films and nanostructures for electronic and catalytic applications" *Critical Reviews in Solid State and Materials Sciences, Abstract*, 2 pages (2020).
- Miikkulainen et al. "Crystallinity of inorganic films grown by atomic layer deposition: Overview and general trends" *Journal of Applied Physics*, 112, 102 pages (2013).
- Niskanen et al. "Radical-enhanced atomic layer deposition of metallic copper thin films" *Journal of the Electrochemical Society* 152(1) pages, G25-G28 (2004).
- O'Hanlon "A User's Guide to Vacuum Technology" Third Edition, Chapter 19, pp. 359-378 (2003).
- Ovanesyan et al. "Atomic Layer Deposition of SiCxNy Using Si2Cl6 and CH3NH2 Plasma" *Chem. Mater.* 2017, 29, pp. 6269-6278 (2017).
- Park et al. "Superfilling CVD of copper using a catalytic surfactant" *Proceedings of the IEEE 2001 International Interconnect Technology Conference*, 3 pages (2001).
- Petrov et al. "1,1,2,2-Tetrafluoroethyl-N,N-dimethylamine: a new selective fluorinating agent" *J of Fluorine Chemistry*, 109, pp. 25-31 (2001).
- Popov et al. "Atomic Layer Deposition of PbI2 Thin Films" *Chem. Mater.* 31, pp. 1101-1109 (2019).
- Popovici et al. "High-performance (EOT<0.4nm, Jg~10-7 A/cm2) ALD-deposited Ru/SrTiO3 stack for next generations DRAM pillar capacitor" 2018 IEEE International Electron Devices Meeting (IEDM), 4 pages (2018).
- Puurunen "Surface Chemistry of Atomic Layer Deposition: A Case Study for the Trimethylaluminum/Water Process" *Journal of Applied Physics*, 97, 55 pages (2005).
- Rahemi et al. "Variation in electron work function with temperature and its effect on the Young's modulus of metals" *Scripta Materialia*, 99, pp. 41-44 (2015).
- SciFinder Search Results on hydrazido-based precursor for boron nitride films, search conducted Nov. 5, 2020, 5 pages (2020).
- Shiba et al. "Stable yttrium oxyfluoride used in plasma process chamber" *J. Vac. Sci. Technol. A*, 35(2), 6 pages (2017).
- Shigemoto et al. "Thermal cleaning of silicon nitride with fluorine and additive mixture" 1 page (2007).
- Takaoka et al. "F-Propene-Dialkylamine Reaction Products as Fluorinating Agents" *Bulletin of the Chemical Society of Japan*, vol. 52 (11), pp. 3377-3380 (1979).
- Tsoutsou et al. "Atomic layer deposition of LaxZrl-xO2-d (x=0.25) high-k dielectrics for advanced gate stacks" *Applied Physics Letters*, 94, 3 pages (2009).
- U.S. Appl. No. 60/545,181, filed Feb. 13, 2004 in the names of Matthew G. Goodman et al., and entitled "Forced Flow Susceptor with Exit Holes and Veins for Improved Process" pp. 1-15 (2004).
- U.S. Appl. No. 60/591,258, filed Jul. 26, 2004 in the names of Jeroen Stoutjesdijk et al., and entitled "Susceptor Support for Eliminating Backside Nodules" pp. 1-71 (2004).

(56)

References Cited

OTHER PUBLICATIONS

U.S. Appl. No. 62/504,470, filed May 10, 2017 in the names of Jennifer Y. Sun et al., and entitled "Metal-Oxy-Fluoride Films for Chamber Components" pp. 1-82 (2017).

Van Asselt et al. "New Palladium Complexes of Cis-Fixed Bidentate Nitrogen Ligands as Catalysts for Carbon-Carbon Bond Formation" *Organometallics*, 11, pp. 1999-2001 (1992).

Van Asselt et al. "On the Mechanism of Formation of Homocoupled Products in the Carbon-Carbon Cross-Coupling Reaction Catalyzed by Palladium Complexes Containing Rigid Bidentate Nitrogen Ligands" *Organometallics*, 13, pp. 1972-1980 (1994).

Vayrynen et al. "Atomic Layer Deposition of Nickel Nitride Thin Films Using NiCl₂ (TMPDA) and Tert-Butylhydrazine as Precursors" *Phy. Status Solidi A*, 216, 9 pages (2019).

Vesters et al. "Sensitizers in EUV Chemically Amplified Resist: Mechanism of sensitivity improvement" *Proc. SPIE 10583 Extreme Ultraviolet (EUV) Lithography IX*, 1058307, 11 pages (2018).

Wilklow-Marnell et al. "First-row transitional-metal oxalate resists for EUV" *J. Micro/Nanolith. MEMS MOEMS* 17(4) Oct.-Dec. 2018, 9 pages (2018).

Zhang et al. "Mechanical Stability of Air-gap Interconnects" *Proc. Future Fab International*, pp. 81-87 (2008).

Zientara et al. *Journal of the European Ceramic Society*, 27, Abstract, 1 page (2007).

CNIPA; Notice of Allowance dated Dec. 27, 2019 in Application No. 201510765406.3.

CNIPA; Office Action dated Nov. 4, 2019 in Application No. 201610898822.5.

CNIPA; Office Action dated Nov. 11, 2019 in Application No. 201810379112.0.

EPO; Extended European Search Report dated Nov. 29, 2019 in Application No. 19188826.2.

JPO; Notice of Allowance dated Nov. 20, 2019 in Application No. JP2015034774.

JPO; Notice of Allowance dated Dec. 17, 2019 in Application No. 2016001928.

KIPO; Office Action dated Nov. 29, 2019 in Application No. 10-2013-0088450.

KIPO; Notice of Allowance dated Jan. 13, 2020 in Application No. 10-2013-0088450.

KIPO; Notice of Allowance dated Oct. 30, 2019 in Application No. 10-2013-0084459.

KIPO; Office Action dated Dec. 4, 2019 in Application No. 10-2013-0098575.

KIPO; Office Action dated Feb. 3, 2020 in Application No. 10-2014-0021615.

KIPO; Office Action dated Feb. 15, 2020 in Application No. 10-2014-0027305.

TIPO; Notice of Allowance dated Jan. 7, 2020 in Application No. 102136496.

TIPO; Notice of Allowance dated Nov. 27, 2019 in Application No. 104141679.

TIPO; Office Action dated Dec. 13, 2019 in Application No. 105101536.

TIPO; Office Action dated Dec. 13, 2019 in Application No. 105111990.

TIPO; Notice of Allowance dated Dec. 10, 2019 in Application No. 105112363.

TIPO; Notice of Allowance dated Feb. 10, 2020 in Application No. 105115513.

TIPO; Notice of Allowance dated Feb. 13, 2020 in Application No. 105122715.

TIPO; Office Action dated Jan. 20, 2020 in Application No. 105122394.

TIPO; Notice of Allowance dated Jan. 16, 2020 in Application No. 107116804.

TIPO; Office Action dated Nov. 13, 2019 in Application No. 108115406.

USPTO; Notice of Allowance dated Feb. 10, 2020 in U.S. Appl. No. 13/651,144.

USPTO; Notice of Allowance dated Feb. 10, 2020 in U.S. Appl. No. 14/188,760.

USPTO; Final Office Action dated Jan. 27, 2020 in U.S. Appl. No. 14/219,839.

USPTO; Final Office Action dated Jan. 13, 2020 in U.S. Appl. No. 14/219,879.

USPTO; Final Office Action dated Dec. 26, 2019 in U.S. Appl. No. 15/060,412.

USPTO; Advisory Action dated Jan. 3, 2020 in U.S. Appl. No. 15/135,258.

USPTO; Non-Final Office Action dated Feb. 13, 2020 in U.S. Appl. No. 15/135,258.

USPTO; Notice of Allowance dated Dec. 3, 2019 in U.S. Appl. No. 15/205,827.

USPTO; Final Office Action dated Nov. 19, 2019 in U.S. Appl. No. 15/262,990.

USPTO; Advisory Action dated Jan. 30, 2020 in U.S. Appl. No. 15/262,990.

USPTO; Final Office Action dated Jan. 6, 2020 in U.S. Appl. No. 15/286,503.

USPTO; Final Office Action dated Dec. 12, 2019 in U.S. Appl. No. 15/380,909.

USPTO; Non-Final Office Action dated Jan. 15, 2020 in U.S. Appl. No. 15/380,921.

USPTO; Final Office Action dated Jan. 8, 2020 in U.S. Appl. No. 15/589,849.

USPTO; Non-Final Office Action dated Jan. 13, 2020 in U.S. Appl. No. 15/589,861.

USPTO; Advisory Action dated Jan. 17, 2020 in U.S. Appl. No. 15/636,307.

USPTO; Notice of Allowance dated Feb. 7, 2020 in U.S. Appl. No. 15/672,119.

USPTO; Final Office Action dated Jan. 24, 2020 in U.S. Appl. No. 15/691,241.

USPTO; Notice of Allowance dated Jan. 29, 2020 in U.S. Appl. No. 15/719,208.

USPTO; Final Office Action dated Jan. 7, 2020 in U.S. Appl. No. 15/726,959.

USPTO; Notice of Allowance dated Jan. 6, 2020 in U.S. Appl. No. 15/727,432.

USPTO; Non-Final Office Action dated Jun. 14, 2019 in U.S. Appl. No. 15/796,593.

USPTO; Notice of Allowance dated Dec. 31, 2019 in U.S. Appl. No. 15/796,593.

USPTO; Final Office Action dated Jan. 13, 2020 in U.S. Appl. No. 15/815,483.

USPTO; Advisory Action dated Jan. 21, 2020 in U.S. Appl. No. 15/860,564.

USPTO; Notice of Allowance dated Jan. 16, 2020 in U.S. Appl. No. 15/879,209.

USPTO; Advisory Action dated Feb. 7, 2020 in U.S. Appl. No. 15/896,986.

USPTO; Notice of Allowance dated Dec. 17, 2019 in U.S. Appl. No. 15/900,425.

USPTO; Advisory Action dated Nov. 27, 2019 in U.S. Appl. No. 15/917,224.

USPTO; Non-Final Office Action dated Dec. 23, 2019 in U.S. Appl. No. 15/923,834.

USPTO; Final Office Action dated Nov. 27, 2019 in U.S. Appl. No. 15/925,532.

USPTO; Non-Final Rejection dated Nov. 29, 2019 in U.S. Appl. No. 15/949,990.

USPTO; Non-Final Office Action dated Jan. 31, 2020 in U.S. Appl. No. 15/962,980.

USPTO; Non-Final Office Action dated Jan. 16, 2020 in U.S. Appl. No. 15/985,261.

USPTO; Final Office Action dated Jan. 13, 2020 in U.S. Appl. No. 16/000,125.

USPTO; Non-Final Office Action dated Jan. 16, 2020 in U.S. Appl. No. 16/014,981.

USPTO; Non-Final Office Action dated Dec. 11, 2019 in U.S. Appl. No. 16/018,692.

(56)

References Cited

OTHER PUBLICATIONS

- USPTO; Notice of Allowance dated Jan. 30, 2020 in U.S. Appl. No. 16/018,692.
- USPTO; Notice of Allowance dated Nov. 26, 2019 in U.S. Appl. No. 16/024,390.
- USPTO; Final Office Action dated Nov. 29, 2019 in U.S. Appl. No. 16/038,024.
- USPTO; Final Office Action dated Jan. 28, 2020 in U.S. Appl. No. 16/039,867.
- USPTO; Non-Final Office Action dated Feb. 6, 2020 in U.S. Appl. No. 16/117,530.
- USPTO; Non-Final Office Action dated Jan. 6, 2020 in U.S. Appl. No. 16/132,142.
- USPTO; Notice of Allowance dated Jan. 3, 2020 in U.S. Appl. No. 16/147,047.
- USPTO; Non-Final Office Action dated Nov. 5, 2019 in U.S. Appl. No. 16/152,260.
- USPTO; Final Office Action dated Dec. 16, 2019 in U.S. Appl. No. 16/167,225.
- USPTO; Notice of Allowance dated Dec. 16, 2019 in U.S. Appl. No. 16/188,690.
- USPTO; Notice of Allowance dated Jan. 28, 2020 in U.S. Appl. No. 16/208,062.
- USPTO; Notice of Allowance dated Dec. 9, 2019 in U.S. Appl. No. 16/213,702.
- USPTO; Non-Final Office Action dated Jan. 8, 2020 in U.S. Appl. No. 16/219,555.
- USPTO; Non-Final Office Action dated Jan. 30, 2020 in U.S. Appl. No. 16/245,006.
- USPTO; Final Office Action dated Jan. 10, 2020 in U.S. Appl. No. 16/251,534.
- USPTO; Non-Final Office Action dated Dec. 18, 2019 in U.S. Appl. No. 16/280,964.
- USPTO; Non-Final Office Action dated Jan. 9, 2020 in U.S. Appl. No. 16/317,774.
- USPTO; Non-Final Office Action dated Dec. 26, 2019 in U.S. Appl. No. 16/417,938.
- USPTO; Non-Final Office Action dated Dec. 31, 2019 in U.S. Appl. No. 16/427,288.
- USPTO; Non-Final Office Action dated Dec. 31, 2019 in U.S. Appl. No. 16/455,406.
- USPTO; Ex Parte Quayle Action dated Dec. 17, 2019 in U.S. Appl. No. 29/615,000.
- USPTO; Notice of Allowance dated Jan. 23, 2020 in U.S. Appl. No. 29/634,768.
- WIPO; International Search Report and Written Opinion dated Nov. 19, 2019 in Application No. PCT/IB2019/000127.
- WIPO; International Search Report and Written Opinion dated Jan. 10, 2020 in Application No. PCT/IB2019/000729.
- WIPO; International Search Report and Written Opinion dated Dec. 20, 2019 in Application No. PCT/IB2019/000805.
- WIPO; International Search Report and Written Opinion dated Dec. 20, 2019 in Application No. PCT/IB2019/000817.
- Alen, "Atomic layer deposition of TaN, NbN and MoN films for Cu Metallizations," University of Helsinki Finland, 72 pages, (2005).
- Hamalainen et al., "Atomic Layer Deposition of Rhenium Disulfide," *Adv. Mater.* 30.24, 6 pages (2018).
- Hargreaves et al., "New Fluorides and Oxyfluorides of Rhenium," *J. Chem. Soc.*, pp. 1099-1103 (1960).
- IPS Water Heater Pan Adapter Kit, Nov. 1, 2015, [online], [site visited Dec. 4, 2019]; URL: <http://es.ipscorp.com/watertite/protectivesystem/whpanadapter> (2015).
- Qin et al., "Chemical Vapor Deposition Growth of Degenerate p-Type Mo-Doped ReS₂ Films and Their Homojunction," *ACS Appl. Mater. Interfaces*, 9(18), pp. 15583-15591 (2007).
- Rhenium trioxide; https://en.wikipedia.org/wiki/Rhenium_trioxide [online]; last edited on Feb. 18, 2017.
- Saeki et al. "Reaction Process of Vanadium Tetrachloride with Ammonia in the Vapor Phase and Properties of the Vanadium Nitride Formed" *Bull. Chem. Soc. Jpn.*, 55, pp. 3446-3449 (1982).
- CNIPA; Notice of Allowance dated May 22, 2020 in Application No. 201610028064.1.
- CNIPA; Office Action dated Mar. 26, 2020 in Application No. 201610131743.1.
- CNIPA; Office Action dated May 18, 2020 in Application No. 201610982040.X.
- CNIPA; Office Action dated May 29, 2020 in Application No. 201710131319.1.
- CNIPA; Office Action dated Jun. 1, 2020 in Application No. 201710173292.2.
- CNIPA; Notice of Allowance dated May 14, 2020 in Application No. 201930615780.4.
- CNIPA; Notice of Allowance dated Apr. 27, 2020 in Application No. 201930660355.7.
- CNIPA; Notice of Allowance dated Jun. 2, 2020 in Application No. 202030048819.1.
- CNIPA; Notice of Allowance dated May 15, 2020 in Application No. 202030048854.3.
- CNIPA; Notice of Allowance dated May 15, 2020 in Application No. 202030053560.X.
- CNIPA; Notice of Allowance dated May 20, 2020 in Application No. 202030053634.X.
- KIPO; Notice of Allowance dated Apr. 23, 2020 in Application No. 10-2013-0050740.
- KIPO; Office Action dated Jun. 19, 2020 in Application No. 10-2013-0098575.
- KIPO; Notice of Allowance dated May 14, 2020 in Application No. 10-2013-0102026.
- KIPO; Office Action dated May 21, 2020 in Application No. 10-2014-0086902.
- KIPO; Office Action dated May 21, 2020 in Application No. 10-2014-0091092.
- KIPO; Office Action dated Apr. 22, 2020 in Application No. 10-2020-0009462.
- TIPO; Notice of Allowance dated May 4, 2020 in Application No. 105101536.
- TIPO; Office Action dated Apr. 14, 2020 in Application No. 105129977.
- TIPO; Office Action dated Mar. 17, 2020 in Application No. 105130130.
- TIPO; Office Action dated Feb. 21, 2020 in Application No. 108120947.
- USPTO; Advisory Action dated Apr. 24, 2020 in U.S. Appl. No. 14/219,839.
- USPTO; Advisory Action dated Apr. 24, 2020 in U.S. Appl. No. 14/219,879.
- USPTO; Non-Final Office Action dated Apr. 28, 2020 in U.S. Appl. No. 14/444,744.
- USPTO; Final Office Action dated May 15, 2020 in U.S. Appl. No. 14/457,058.
- USPTO; Advisory Action dated Jun. 22, 2020 in U.S. Appl. No. 14/829,565.
- USPTO; Final Office Action dated Jun. 1, 2020 in U.S. Appl. No. 15/135,258.
- USPTO; Non-Final Office Action dated Apr. 16, 2020 in U.S. Appl. No. 15/286,503.
- USPTO; Final Office Action dated May 13, 2020 in U.S. Appl. No. 15/377,439.
- USPTO; Non-Final Office Action dated May 27, 2020 in U.S. Appl. No. 15/402,993.
- USPTO; Final Office Action dated Apr. 17, 2020 in U.S. Appl. No. 15/491,726.
- USPTO; Final Office Action dated Jun. 16, 2020 in U.S. Appl. No. 15/636,307.
- USPTO; Notice of Allowance dated May 20, 2020 in U.S. Appl. No. 15/672,096.
- USPTO; Final Office Action dated May 27, 2020 in U.S. Appl. No. 15/690,017.
- USPTO; Advisory Action dated Jun. 19, 2020 in U.S. Appl. No. 15/691,241.
- USPTO; Advisory Action dated May 26, 2020 in U.S. Appl. No. 15/798,201.

(56)

References Cited

OTHER PUBLICATIONS

- USPTO; Advisory Action dated May 19, 2020 in U.S. Appl. No. 15/802,154.
- USPTO; Non-Final Office Action dated Apr. 24, 2020 in U.S. Appl. No. 15/815,483.
- USPTO; Final Office Action dated Jun. 11, 2020 in U.S. Appl. No. 15/861,418.
- USPTO; Advisory Action dated Jun. 5, 2020 in U.S. Appl. No. 15/890,037.
- USPTO; Final Office Action dated Jun. 15, 2020 in U.S. Appl. No. 15/896,986.
- USPTO; Non-Final Office Action dated May 1, 2020 in U.S. Appl. No. 15/917,224.
- USPTO; Advisory Action dated May 15, 2020 in U.S. Appl. No. 15/923,834.
- USPTO; Non-Final Office Action dated May 1, 2020 in U.S. Appl. No. 15/925,532.
- USPTO; Advisory Action dated Apr. 23, 2020 in U.S. Appl. No. 15/940,759.
- USPTO; Final Office Action dated Apr. 30, 2020 in U.S. Appl. No. 15/962,980.
- USPTO; Non-Final Office Action dated May 15, 2020 in U.S. Appl. No. 15/974,988.
- USPTO; Non-Final Office Action dated Jun. 12, 2020 in U.S. Appl. No. 15/985,539.
- USPTO; Non-Final Office Action dated Feb. 20, 2020 in U.S. Appl. No. 15/996,286.
- USPTO; Non-Final Office Action dated Jun. 5, 2020 in U.S. Appl. No. 16/000,125.
- USPTO; Non-Final Office Action dated Apr. 22, 2020 in U.S. Appl. No. 16/000,156.
- USPTO; Non-Final Office Action dated May 7, 2020 in U.S. Appl. No. 16/004,041.
- USPTO; Notice of Allowance dated Jun. 24, 2020 in U.S. Appl. No. 16/014,981.
- USPTO; Notice of Allowance dated May 26, 2020 in U.S. Appl. No. 16/036,692.
- USPTO; Non-Final Office Action dated Apr. 30, 2020 in U.S. Appl. No. 16/055,532.
- USPTO; Non-Final Office Action dated May 27, 2020 in U.S. Appl. No. 16/100,012.
- USPTO; Final Office Action dated Jun. 23, 2020 in U.S. Appl. No. 16/105,745.
- USPTO; Final Office Action dated Apr. 21, 2020 in U.S. Appl. No. 16/105,761.
- USPTO; Final Office Action dated Jun. 26, 2020 in U.S. Appl. No. 16/105,802.
- USPTO; Non-Final Office Action dated Jun. 22, 2020 in U.S. Appl. No. 16/128,282.
- USPTO; Non-Final Office Action dated Apr. 21, 2020 in U.S. Appl. No. 16/130,798.
- USPTO; Final Office Action dated Jun. 5, 2020 in U.S. Appl. No. 16/132,142.
- USPTO; Advisory Action dated Jun. 9, 2020 in U.S. Appl. No. 16/158,077.
- USPTO; Notice of Allowance dated Jun. 19, 2020 in U.S. Appl. No. 16/161,744.
- USPTO; Non-Final Office Action dated May 29, 2020 in U.S. Appl. No. 16/205,899.
- USPTO; Final Office Action dated Jun. 19, 2020 in U.S. Appl. No. 16/219,555.
- USPTO; Final Office Action dated Jun. 15, 2020 in U.S. Appl. No. 16/242,829.
- USPTO; Notice of Allowance dated May 29, 2020 in U.S. Appl. No. 16/245,006.
- USPTO; Non-Final Office Action dated Apr. 24, 2020 in U.S. Appl. No. 16/251,534.
- USPTO; Non-Final Office Action dated May 27, 2020 in U.S. Appl. No. 16/252,567.
- USPTO; Non-Final Office Action dated Apr. 16, 2020 in U.S. Appl. No. 16/255,639.
- USPTO; Non-Final Office Action dated Jun. 30, 2020 in U.S. Appl. No. 16/258,187.
- USPTO; Notice of Allowance dated May 21, 2020 in U.S. Appl. No. 16/280,964.
- USPTO; Notice of Allowance dated Apr. 16, 2020 in U.S. Appl. No. 16/427,288.
- USPTO; Non-Final Office Action dated May 12, 2020 in U.S. Appl. No. 16/454,063.
- USPTO; Notice of Allowance dated Apr. 17, 2020 in U.S. Appl. No. 16/455,406.
- USPTO; Non-Final Office Action dated Jun. 11, 2020 in U.S. Appl. No. 16/598,768.
- USPTO; Notice of Allowance dated Apr. 21, 2020 in U.S. Appl. No. 16/674,894.
- USPTO; Non-Final Office Action dated Apr. 13, 2020 in U.S. Appl. No. 16/833,279.
- USPTO; Notice of Allowance dated Jun. 10, 2020 in U.S. Appl. No. 29/615,000.
- USPTO; Non-Final Office Action dated Apr. 24, 2020 in U.S. Appl. No. 29/726,623.
- WIPO; International Search Report and Written Opinion dated Apr. 29, 2019 in Application No. PCT/NL2018/050791.
- Chatterjee et al. "Chemical Vapor Deposition of Boron Nitride Nanosheets on Metallic Substrates via Decaborane/Ammonia Reactions", *Chem. Mater.* 23, pp. 4414-4416 (2011).
- Fallica et al., "Dynamic Absorption Coefficients Of Chemically Amplified Resists And Nonchemically Amplified Resists At Extreme Ultraviolet", *J. Micro/Nanolith. MEMS MOEMS* 15(3), pp. 033506-1-033506-7 (2016).
- Glass et al. "The Chemical Vapor Deposition of Metal Boride Thin Films from Polyhedral Cluster Species", Winter and Hoffman, *Inorganic Materials Synthesis. ACS Symposium Series; American Chemical Society: Washington DC, Chapter 10*, pp. 130-143 (1999).
- Jensen et al. "Titanium, Zirconium, and Hafnium Tetrahydroborates as "Tailored" CVD Precursors for Metal Diboride Thin Films", *J. Am. Chem. Soc.* 110, pp. 1643-1644 (1988).
- Kliem et al. "Silyl Group Migrations Between Oxygen and Nitrogen in Aminosiloxanes"; *Organosilicon Chemistry VI: from Molecules to Materials*; pp. 216-221 (2005).
- Lewis et al. "Hawley's Condensed Chemical Dictionary" 12th Edition; excerpt pp. 1027-1038 (2005).
- Roddy, "Transport Reactions and Vaporization Studies of Some Vanadium Halides", Iowa State university of Science and Technology dissertation, 207 pages (1962).
- Spear et al., "Chemical Transport Reactions in the Vanadium-Silicon-Oxygen System and the Ternary Phase Diagram", *Journal of the Less-Common Metals*, 14, pp. 69-75 (1968).
- Su et al. "A Polymer Precursor Route to Metal Borides", *Chem. Mater.*, 5, pp. 1659-1668 (1993).
- CNIPA; Office Action dated Oct. 16, 2020 in Application No. 201610131743.1.
- CNIPA; Office Action dated Jun. 16, 2020 in Application No. 201610897958.4.
- CNIPA; Office Action dated Jul. 3, 2020 in Application No. 201610898822.5.
- CNIPA; Notice of Allowance dated Oct. 9, 2020 in Application No. 201610898822.5.
- CNIPA; Notice of Allowance dated Nov. 4, 2020 in Application No. 201710173292.2.
- CNIPA; Office Action dated Aug. 31, 2020 in Application No. 201780044761.9.
- CNIPA; Office Action dated Apr. 27, 2020 in Application No. 201810379112.0.
- CNIPA; Office Action dated Apr. 27, 2020 in Application No. 201810836604.8.
- CNIPA; Office Action dated Jul. 30, 2020 in Application No. 201810836604.8.
- CNIPA; Office Action dated Apr. 22, 2020 in Application No. 201810994464.7.
- CNIPA; Notice of Allowance dated Aug. 7, 2020 in Application No. 202030053609.1.

(56)

References Cited

OTHER PUBLICATIONS

- EPO; Office Action dated Jul. 29, 2008 in Application No. 00902194.0.
- EPO; Office Action dated Jun. 27, 2003 in Application No. 97929595.3.
- EPO; Office Action dated Feb. 18, 2004 in Application No. 97929595.3.
- EPO; Notice of Allowance dated Apr. 29, 2004 in Application No. 97929595.3.
- EPO; Notice of Allowance dated Jan. 10, 2001 in Application No. 98911263.6.
- EPO; Office Action dated Jun. 6, 2001 in Application No. 98911277.6.
- EPO; Office Action dated Jun. 27, 2003 in Application No. 98967122.7.
- EPO; Notice of Allowance dated Feb. 23, 2004 in Application No. 98967122.7.
- EPO; Office Action dated Sep. 22, 2003 in Application No. 99946447.2.
- EPO; Office Action dated Nov. 25, 2003 in Application No. 99946447.2.
- EPO; Office Action dated Mar. 30, 2004 in Application No. 99946447.2.
- EPO; Office Action dated Jul. 19, 2004 in Application No. 99946447.2.
- EPO; Notice of Allowance dated Sep. 22, 2004 in Application No. 99946447.2.
- EPO; Supplementary European Search Report dated May 27, 2002 in Application No. 99973123.
- EPO; Notice of Allowance dated Jun. 11, 2004 in Application No. 99973123.
- JPO; Office Action dated Jun. 1, 2020 in Application No. 2016-206625.
- JPO; Office Action dated Aug. 28, 2020 in Application No. 2017-139817.
- JPO; Notice of Allowance dated Jul. 1, 2020 in Application No. 2019-025168.
- JPO; Office Action dated Aug. 24, 2020 in Application No. 2019-119908.
- JPO; Office Action dated Jun. 29, 2020 in Application No. 2020-502653.
- KIPO; Decision of Intellectual Property Trial and Appeal Board dated Jun. 23, 2020 in Application No. 10-2012-0076564.
- KIPO; Notice of Allowance dated Sep. 25, 2020 in Application No. 10-2013-0049598.
- KIPO; Notice of Allowance dated Aug. 13, 2020 in Application No. 10-2013-0098575.
- KIPO; Notice of Allowance dated Oct. 27, 2020 in Application No. 10-2014-0011764.
- KIPO; Office Action dated Jul. 21, 2020 in Application No. 10-2014-0011765.
- KIPO; Notice of Allowance dated Sep. 8, 2020 in Application No. 10-2014-0021615.
- KIPO; Office Action dated Oct. 26, 2020 in Application No. 10-2014-0027217.
- KIPO; Notice of Allowance dated Oct. 12, 2020 in Application No. 10-2014-0027305.
- KIPO; Office Action dated Jul. 9, 2020 in Application No. 10-2014-0060120.
- KIPO; Office Action dated Aug. 18, 2020 in Application No. 10-2014-0071653.
- KIPO; Notice of Allowance dated Oct. 19, 2020 in Application No. 10-2014-0086902.
- KIPO; Notice of Allowance dated Sep. 27, 2020 in Application No. 10-2014-0091092.
- KIPO; Office Action dated Oct. 5, 2020 in Application No. 10-2014-0103853.
- KIPO; Office Action dated Oct. 7, 2020 in Application No. 10-2014-0128626.
- KIPO; Office Action dated Jul. 21, 2020 in Application No. 10-2017-0087308.
- KIPO; Notice of Allowance dated Oct. 26, 2020 in Application No. 10-2017-0087308.
- KIPO; Office Action dated Jun. 30, 2020 in Application No. 10-2019-0044213.
- KIPO; Notice of Allowance dated Oct. 28, 2020 in Application No. 10-2020-0009462.
- KIPO; Notice of Allowance dated Jul. 20, 2020 in Application No. 10-2020-7000992.
- KIPO; Notice of Allowance dated Oct. 20, 2020 in Application No. 30-2019-0054013 M001.
- KIPO; Notice of Allowance dated Oct. 20, 2020 in Application No. 30-2019-0054013 M002.
- KIPO; Notice of Allowance dated Oct. 22, 2020 in Application No. 30-2019-0058076.
- TIPO; Notice of Allowance dated Jul. 1, 2020 in Application No. 105101537.
- TIPO; Notice of Allowance dated Sep. 4, 2020 in Application No. 105111990.
- TIPO; Office Action dated Sep. 7, 2020 in Application No. 105122394.
- TIPO; Notice of Allowance dated Aug. 31, 2020 in Application No. 105122586.
- TIPO; Office Action dated Sep. 18, 2020 in Application No. 105129977.
- TIPO; Notice of Allowance dated Sep. 25, 2020 in Application No. 105130130.
- TIPO; Office Action Received Aug. 25, 2020 in Application No. 105131284.
- TIPO; Office Action dated Aug. 25, 2020 in Application No. 105131896.
- TIPO; Office Action dated Sep. 30, 2020 in Application No. 105142668.
- TIPO; Office Action dated Aug. 11, 2020 in Application No. 106100823.
- TIPO; Office Action dated Jun. 17, 2020 in Application No. 106108152.
- TIPO; Office Action dated Oct. 7, 2020 in Application No. 106108522.
- TIPO; Office Action dated Aug. 21, 2020 in Application No. 106111548.
- TIPO; Office Action dated Oct. 8, 2020 in Application No. 106111693.
- TIPO; Office Action dated Jul. 15, 2020 in Application No. 106120365.
- TIPO; Office Action dated Nov. 12, 2020 in Application No. 106120365.
- TIPO; Office Action dated Nov. 18, 2020 in Application No. 106120902.
- TIPO; Office Action dated Oct. 8, 2020 in Application No. 106123203.
- TIPO; Office Action dated Jun. 24, 2020 in Application No. 108135004.
- TIPO; Office Action dated Jun. 29, 2020 in Application No. 108137226.
- TIPO; Office Action dated Jul. 9, 2020 in Application No. 108137227.
- TIPO; Office Action dated Aug. 17, 2020 in Application No. 108139018.
- TIPO; Notice of Allowance dated Oct. 19, 2020 in Application No. 108306935.
- TIPO; Notice of Allowance dated Oct. 19, 2020 in Application No. 108306935D01.
- TIPO; Notice of Allowance dated Jul. 15, 2020 in Application No. 108307027.
- TIPO; Notice of Allowance dated Oct. 19, 2020 in Application No. 108307027D01.
- TIPO; Notice of Allowance dated Sep. 15, 2020 in Application No. 108307301.
- TIPO; Notice of Allowance dated Sep. 25, 2020 in Application No. 108307759.
- USPTO; Non-Final Office Action dated Mar. 28, 2001 in U.S. Appl. No. 09/452,844.
- USPTO; Final Office Action dated Sep. 11, 2001 in U.S. Appl. No. 09/452,844.
- USPTO; Advisory Action dated Jan. 24, 2002 in U.S. Appl. No. 09/452,844.
- USPTO; Non-Final Office Action dated Apr. 9, 2002 in U.S. Appl. No. 09/452,844.
- USPTO; Final Office Action dated Sep. 27, 2002 in U.S. Appl. No. 09/452,844.

(56)

References Cited

OTHER PUBLICATIONS

- USPTO; Notice of Allowance dated Jun. 17, 2003 in U.S. Appl. No. 09/452,844.
- USPTO; Non-Final Office Action dated Oct. 31, 2003 in U.S. Appl. No. 09/452,844.
- USPTO; Notice of Allowance dated Mar. 26, 2004 in U.S. Appl. No. 09/452,844.
- USPTO; Non-Final Office Action dated Dec. 10, 2002 in U.S. Appl. No. 09/771,673.
- USPTO; Final Office Action dated May 29, 2003 in U.S. Appl. No. 09/771,673.
- USPTO; Final Office Action dated Feb. 6, 2004 in U.S. Appl. No. 09/771,673.
- USPTO; Advisory Action dated Apr. 20, 2004 in U.S. Appl. No. 09/771,673.
- USPTO; Notice of Allowance dated Jul. 29, 2004 in U.S. Appl. No. 09/771,673.
- USPTO; Non-Final Office Action dated Jan. 3, 2002 in U.S. Appl. No. 09/807,580.
- USPTO; Final Office Action dated Jun. 21, 2002 in U.S. Appl. No. 09/807,580.
- USPTO; Advisory Action dated Aug. 27, 2002 in U.S. Appl. No. 09/807,580.
- USPTO; Non-Final Action dated Nov. 27, 2002 in U.S. Appl. No. 09/807,580.
- USPTO; Final Office Action dated May 27, 2003 in U.S. Appl. No. 09/807,580.
- USPTO; Advisory Action dated Oct. 22, 2003 in U.S. Appl. No. 09/807,580.
- USPTO; Examiner's Answer to Appeal Brief dated May 6, 2004 in U.S. Appl. No. 09/807,580.
- USPTO; Decision on Appeal dated Feb. 16, 2005 in U.S. Appl. No. 09/807,580.
- USPTO; Non-Final Action dated May 19, 2005 in U.S. Appl. No. 09/807,580.
- USPTO; Final Action dated Nov. 21, 2005 in U.S. Appl. No. 09/807,580.
- USPTO; Notice of Allowance dated Feb. 23, 2006 in U.S. Appl. No. 09/807,580.
- USPTO; Non-Final Office Action dated May 13, 2003 in U.S. Appl. No. 10/222,229.
- USPTO; Non-Final Office Action dated Feb. 9, 2004 in U.S. Appl. No. 10/603,515.
- USPTO; Notice of Allowance dated Jun. 18, 2004 in U.S. Appl. No. 10/603,515.
- USPTO; Non-Final Office Action dated Oct. 17, 2006 in U.S. Appl. No. 10/932,633.
- USPTO; Non-Final Office Action dated Apr. 19, 2007 in U.S. Appl. No. 10/932,633.
- USPTO; Notice of Allowance dated Sep. 10, 2007 in U.S. Appl. No. 10/932,633.
- USPTO; Notice of Allowance dated Jul. 6, 2020 in U.S. Appl. No. 13/184,351.
- USPTO; Examiner's Answer to Appeal Brief dated Apr. 20, 2018 in U.S. Appl. No. 13/187,300.
- USPTO; Patent Board Decision dated Sep. 23, 2019 in U.S. Appl. No. 13/187,300.
- USPTO; Advisory Action dated Nov. 10, 2015 in U.S. Appl. No. 14/079,302.
- USPTO; Notice of Allowance dated Sep. 3, 2020 in U.S. Appl. No. 14/444,744.
- USPTO; Notice of Allowance dated Aug. 6, 2020 in U.S. Appl. No. 14/457,058.
- USPTO; Final Office Action dated Aug. 20, 2020 in U.S. Appl. No. 14/508,489.
- USPTO; Notice of Allowance dated Nov. 3, 2020 in U.S. Appl. No. 14/508,489.
- USPTO; Non-Final Office Action dated Aug. 3, 2020 in U.S. Appl. No. 14/829,565.
- USPTO; Notice of Allowance dated Aug. 18, 2020 in U.S. Appl. No. 15/135,258.
- USPTO; Non-Final Office Action dated Oct. 6, 2020 in U.S. Appl. No. 15/262,990.
- USPTO; Final Office Action dated Oct. 2, 2020 in U.S. Appl. No. 15/286,503.
- USPTO; Non-Final Office Action dated Sep. 2, 2020 in U.S. Appl. No. 15/377,439.
- USPTO; Non-Final Office Action dated Jul. 1, 2020 in U.S. Appl. No. 15/380,909.
- USPTO; Final Office Action dated Jul. 23, 2020 in U.S. Appl. No. 15/380,921.
- USPTO; Final Office Action dated Sep. 8, 2020 in U.S. Appl. No. 15/402,993.
- USPTO; Advisory Action dated Nov. 9, 2020 in U.S. Appl. No. 15/402,993.
- USPTO; Non-Final Office Action dated Sep. 30, 2020 in U.S. Appl. No. 15/491,726.
- USPTO; Final Office Action dated Jul. 8, 2020 in U.S. Appl. No. 15/589,861.
- USPTO; Notice of Allowance dated Oct. 16, 2020 in U.S. Appl. No. 15/589,861.
- USPTO; Final Office Action dated Sep. 16, 2020 in U.S. Appl. No. 15/611,707.
- USPTO; Advisory Action dated Nov. 20, 2020 in U.S. Appl. No. 15/611,707.
- USPTO; Non-Final Office Action dated Sep. 3, 2020 in U.S. Appl. No. 15/636,307.
- USPTO; Notice of Allowance dated Jul. 2, 2020 in U.S. Appl. No. 15/672,096.
- USPTO; Advisory Action dated Aug. 6, 2020 in U.S. Appl. No. 15/690,017.
- USPTO; Non-Final Office Action dated Aug. 24, 2020 in U.S. Appl. No. 15/690,017.
- USPTO; Non-Final Office Action dated Oct. 6, 2020 in U.S. Appl. No. 15/691,241.
- USPTO; Final Office Action dated Sep. 24, 2020 in U.S. Appl. No. 15/726,959.
- USPTO; Non-Final Office Action dated Jul. 10, 2020 in U.S. Appl. No. 15/798,201.
- USPTO; Notice of Allowance dated Oct. 21, 2020 in U.S. Appl. No. 15/798,201.
- USPTO; Non-Final Office Action dated Jul. 2, 2020 in U.S. Appl. No. 15/802,154.
- USPTO; Notice of Allowance dated Oct. 26, 2020 in U.S. Appl. No. 15/802,154.
- USPTO; Notice of Allowance dated Sep. 30, 2020 in U.S. Appl. No. 15/815,483.
- USPTO; Final Office Action dated Sep. 17, 2020 in U.S. Appl. No. 15/835,328.
- USPTO; Final Office Action dated Aug. 6, 2020 in U.S. Appl. No. 15/835,352.
- USPTO; Notice of Allowance dated Aug. 17, 2020 in U.S. Appl. No. 15/843,899.
- USPTO; Notice of Allowance dated Jun. 30, 2020 in U.S. Appl. No. 15/860,564.
- USPTO; Notice of Allowance dated Aug. 19, 2020 in U.S. Appl. No. 15/861,418.
- USPTO; Non-Final Office Action dated Sep. 2, 2020 in U.S. Appl. No. 15/890,037.
- USPTO; Notice of Allowance dated Aug. 26, 2020 in U.S. Appl. No. 15/896,986.
- USPTO; Non-Final Office Action dated Sep. 9, 2020 in U.S. Appl. No. 15/909,705.
- USPTO; Final Office Action dated Sep. 24, 2020 in U.S. Appl. No. 15/917,224.
- USPTO; Non-Final Office Action dated Jul. 6, 2020 in U.S. Appl. No. 15/923,834.
- USPTO; Final Office Action dated Oct. 19, 2020 in U.S. Appl. No. 15/923,834.
- USPTO; Final Office Action dated Oct. 15, 2020 in U.S. Appl. No. 15/925,532.

(56)

References Cited

OTHER PUBLICATIONS

USPTO; Non-Final Office Action dated Oct. 6, 2020 in U.S. Appl. No. 15/940,729.

USPTO; Non-Final Office Action dated Aug. 3, 2020 in U.S. Appl. No. 15/940,759.

USPTO; Advisory Action dated Jul. 2, 2020 in U.S. Appl. No. 15/962,980.

USPTO; Non-Final Office Action dated Sep. 14, 2020 in U.S. Appl. No. 15/962,980.

USPTO; Non-Final Office Action dated Oct. 6, 2020 in U.S. Appl. No. 15/967,146.

USPTO; Final Office Action dated Sep. 3, 2020 in U.S. Appl. No. 15/974,948.

USPTO; Notice of Allowance dated Oct. 14, 2020 in U.S. Appl. No. 15/974,988.

USPTO; Final Office Action dated Nov. 25, 2020 in U.S. Appl. No. 15/985,539.

USPTO; Final Office Action dated Jul. 24, 2020 in U.S. Appl. No. 15/996,286.

USPTO; Advisory Action dated Oct. 7, 2020 in U.S. Appl. No. 15/996,286.

USPTO; Final Office Action dated Oct. 2, 2020 in U.S. Appl. No. 15/997,445.

USPTO; Notice of Allowance dated Jul. 10, 2020 in U.S. Appl. No. 15/998,775.

USPTO; Final Office Action dated Sep. 14, 2020 in U.S. Appl. No. 16/000,109.

USPTO; Final Office Action dated Oct. 6, 2020 in U.S. Appl. No. 16/000,125.

USPTO; Final Office Action dated Oct. 22, 2020 in U.S. Appl. No. 16/000,156.

USPTO; Final Office Action dated Oct. 15, 2020 in U.S. Appl. No. 16/004,041.

USPTO; Non-Final Office Action dated Sep. 8, 2020 in U.S. Appl. No. 16/039,817.

USPTO; Non-Final Office Action dated Aug. 4, 2020 in U.S. Appl. No. 16/042,791.

USPTO; Final Office Action dated Jul. 30, 2020 in U.S. Appl. No. 16/055,532.

USPTO; Final Office Action dated Nov. 3, 2020 in U.S. Appl. No. 16/055,532.

USPTO; Notice of Allowance dated Sep. 14, 2020 in U.S. Appl. No. 16/100,012.

USPTO; Advisory Action dated Aug. 25, 2020 in U.S. Appl. No. 16/105,745.

USPTO; Non-Final Office Action dated Nov. 25, 2020 in U.S. Appl. No. 16/105,745.

USPTO; Advisory Action dated Jul. 8, 2020 in U.S. Appl. No. 16/105,761.

USPTO; Non-Final Office Action dated Nov. 25, 2020 in U.S. Appl. No. 16/105,761.

USPTO; Final Office Action dated Nov. 17, 2020 in U.S. Appl. No. 16/105,802.

USPTO; Non-Final Office Action dated Sep. 8, 2020 in U.S. Appl. No. 16/108,950.

USPTO; Final Office Action dated Sep. 2, 2020 in U.S. Appl. No. 16/116,708.

USPTO; Advisory Action dated Nov. 17, 2020 in U.S. Appl. No. 16/116,708.

USPTO; Final Office Action dated Nov. 19, 2020 in U.S. Appl. No. 16/128,282.

USPTO; Notice of Allowance dated Aug. 5, 2020 in U.S. Appl. No. 16/130,798.

USPTO; Advisory Action dated Aug. 24, 2020 in U.S. Appl. No. 16/132,142.

USPTO; Non-Final Office Action dated Oct. 16, 2020 in U.S. Appl. No. 16/132,142.

USPTO; Final Office Action dated Aug. 20, 2020 in U.S. Appl. No. 16/137,974.

USPTO; Notice of Allowance dated Nov. 3, 2020 in U.S. Appl. No. 16/137,974.

USPTO; Non-Final Office Action dated Jul. 30, 2020 in U.S. Appl. No. 16/151,074.

USPTO; Advisory Action dated Sep. 16, 2020 in U.S. Appl. No. 16/152,260.

USPTO; Final Office Action dated Jul. 15, 2020 in U.S. Appl. No. 16/152,260.

USPTO; Non-Final Office Action dated Nov. 9, 2020 in U.S. Appl. No. 16/152,260.

USPTO; Notice of Allowance dated Jul. 24, 2020 in U.S. Appl. No. 16/158,077.

USPTO; Non-Final Office Action dated Jul. 23, 2020 in U.S. Appl. No. 16/167,164.

USPTO; Non-Final Office Action dated Aug. 7, 2020 in U.S. Appl. No. 16/172,535.

USPTO; Final Office Action dated Oct. 16, 2020 in U.S. Appl. No. 16/172,535.

USPTO; Non-Final Office Action dated Nov. 4, 2020 in U.S. Appl. No. 16/176,517.

USPTO; Non-Final Office Action dated Oct. 29, 2020 in U.S. Appl. No. 16/183,258.

USPTO; Notice of Allowance dated Jul. 28, 2020 in U.S. Appl. No. 16/193,789.

USPTO; Notice of Allowance dated Jul. 7, 2020 in U.S. Appl. No. 16/194,041.

USPTO; Final Office Action dated Nov. 27, 2020 in U.S. Appl. No. 16/205,899.

USPTO; Non-Final Office Action dated Jul. 15, 2020 in U.S. Appl. No. 16/210,922.

USPTO; Advisory Action dated Sep. 11, 2020 in U.S. Appl. No. 16/219,555.

USPTO; Non-Final Office Action dated Sep. 30, 2020 in U.S. Appl. No. 16/219,555.

USPTO; Advisory Action dated Aug. 11, 2020 in U.S. Appl. No. 16/242,829.

USPTO; Notice of Allowance dated Sep. 23, 2020 in U.S. Appl. No. 16/242,829.

USPTO; Non-Final Office Action dated Sep. 3, 2020 in U.S. Appl. No. 16/242,852.

USPTO; Final Office Action dated Oct. 14, 2020 in U.S. Appl. No. 16/251,534.

USPTO; Final Office Action dated Nov. 18, 2020 in U.S. Appl. No. 16/252,567.

USPTO; Notice of Allowance dated Aug. 6, 2020 in U.S. Appl. No. 16/255,639.

USPTO; Notice of Allowance dated Aug. 5, 2020 in U.S. Appl. No. 16/258,187.

USPTO; Final Office Action dated Jun. 30, 2020 in U.S. Appl. No. 16/356,394.

USPTO; Notice of Allowance dated Aug. 31, 2020 in U.S. Appl. No. 16/356,394.

USPTO; Non-Final Office Action dated Aug. 5, 2020 in U.S. Appl. No. 16/397,045.

USPTO; Non-Final Office Action dated Aug. 19, 2020 in U.S. Appl. No. 16/400,814.

USPTO; Notice of Allowance dated Sep. 18, 2020 in U.S. Appl. No. 16/454,063.

USPTO; Non-Final Office Action dated Nov. 27, 2020 in U.S. Appl. No. 16/468,258.

USPTO; Non-Final Office Action dated Nov. 5, 2020 in U.S. Appl. No. 16/546,543.

USPTO; Notice of Allowance dated Sep. 16, 2020 in U.S. Appl. No. 16/598,768.

USPTO; Non-Final Office Action dated Oct. 16, 2020 in U.S. Appl. No. 16/679,885.

USPTO; Non-Final Office Action dated Nov. 16, 2020 in U.S. Appl. No. 16/713,311.

USPTO; Final Office Action dated Oct. 2, 2020 in U.S. Appl. No. 16/833,279.

USPTO; Non-Final Office Action dated Jul. 9, 2020 in U.S. Appl. No. 16/897,158.

(56)

References Cited

OTHER PUBLICATIONS

- USPTO; Notice of Allowance dated Nov. 12, 2020 in U.S. Appl. No. 16/897,158.
- USPTO; Non-Final Office Action dated Aug. 4, 2020 in U.S. Appl. No. 16/926,192.
- USPTO; Final Office Action dated Sep. 9, 2020 in U.S. Appl. No. 29/726,623.
- WIPO; International Search Report dated Oct. 13, 1998 in Application No. PCT/FI1998/000571.
- WIPO; International Search Report dated Jul. 13, 1990 in Application No. PCT/NL1990/000027.
- WIPO; International Search Report dated Jan. 11, 1990 in Application No. PCT/NL1990/000042.
- WIPO; International Search Report dated Feb. 26, 1991 in Application No. PCT/NL1990/000166.
- WIPO; International Search Report dated Oct. 25, 1991 in Application No. PCT/NL1991/000108.
- WIPO; International Search Report dated Oct. 17, 1997 in Application No. PCT/NL1997/000398.
- WIPO; International Preliminary Examination Report dated Oct. 2, 1998 in Application No. PCT/NL1997/000398.
- WIPO; International Search Report dated Apr. 24, 1998 in Application No. PCT/NL1998/000055.
- WIPO; International Preliminary Examination Report dated Feb. 24, 1999 in Application No. PCT/NL1998/000055.
- WIPO; International Search Report dated May 27, 1998 in Application No. PCT/NL1998/000105.
- WIPO; International Search Report dated May 8, 1998 in Application No. PCT/NL1998/000151.
- WIPO; International Preliminary Examination Report dated Mar. 23, 1999 in Application No. PCT/NL1998/000151.
- WIPO; International Search Report dated May 27, 1998 in Application No. PCT/NL1998/000167.
- WIPO; International Preliminary Examination Report dated Jul. 13, 1999 in Application No. PCT/NL1998/000167.
- WIPO; International Search Report dated Jul. 8, 1998 in Application No. PCT/NL1998/000204.
- WIPO; International Search Report dated Aug. 21, 1998 in Application No. PCT/NL1998/000246.
- WIPO; International Search Report dated Oct. 16, 1998 in Application No. PCT/NL1998/000383.
- WIPO; International Preliminary Examination Report dated Sep. 16, 1999 in Application No. PCT/NL1998/000383.
- WIPO; International Search Report dated Apr. 15, 1999 in Application No. PCT/NL1999/000047.
- WIPO; International Search Report dated Oct. 12, 1999 in Application No. PCT/NL1999/000487.
- WIPO; International Search Report dated Dec. 16, 1999 in Application No. PCT/NL1999/000583.
- WIPO; Written Opinion dated Jul. 24, 2000 in Application No. PCT/NL1999/000583.
- WIPO; International Preliminary Examination Report dated Jan. 22, 2001 in Application No. PCT/NL1999/000583.
- WIPO; International Search Report dated Apr. 19, 2000 in Application No. PCT/NL2000/000020.
- WIPO; Written Opinion dated Oct. 17, 2000 in Application No. PCT/NL2000/000020.
- WIPO; International Search Report dated Dec. 16, 1999 in Application No. PCT/RU1999/000328.
- WIPO; International Preliminary Examination Report dated Jun. 29, 2001 in Application No. PCT/RU1999/000328.
- Akiyama et al. "Macro- and micro-scale simulation of growth rate and composition in MOCVD of yttria-stabilized zirconia" *J. Crystal Growth* 241, pp. 352-362 (2002).
- Altiere et al. "Review Article: Plasma-surface interactions at the atomic scale for patterning metals" *J. Vac. Sci. Technol. A* 35, 05C203, 13 pages (2017).
- Ande et al. "Role of Surface Termination in Atomic Layer Deposition of Silicon Nitride" *J. Phys. Chem. Lett.*, 6(18), 16 pages (2015).
- Atta et al. "The Catalytic Activity of Ruthenates ARuO₃ (A = Ca, Sr or Ba) for the Hydrogen Evolution Reaction in Acidic Medium" *Int. J. Electrochem. Sci.* 7, pp. 725-746 (2012).
- Ballal "Mass Transfer in Porous Solids under Pulsating Pressure Conditions" *SLJ International*, vol. 35, Nov. 4, pp. 446-448 (1995).
- Brewin et al. "UPS to deploy Bluetooth, wireless LAN network" *Internet*, pp. 1-5 (2001).
- Bulletin Plasma Source—Dec. 2002: Type AX7610—Downstream Plasma Source. Source location: MKS Instruments, Inc. <http://www.mksinst.com/>. Accessed: Aug. 6, 2015. pp. 1-4 (2002).
- Bulletin ASTRONe—Apr. 2002: Type AX7680—Reactive Gas Generator. Source location: MKS Instruments, Inc. <http://www.mksinst.com/>. Accessed: Aug. 6, 2015. pp. 1-2 (2002).
- Bulletin ASTRONex—Jul. 2009: Type AX7685—Reactive Gas Generator. Source location: MKS Instruments, Inc. <http://www.mksinst.com/>. Accessed: Aug. 6, 2015. pp. 1-2 (2002).
- Bulletin ASTRON hf-s—Mar. 2005: Type AX7645—Reactive Gas Generator. Source location: MKS Instruments, Inc. <http://www.mksinst.com/>. Accessed: Aug. 6, 2015. pp. 1-2 (2005).
- Bulletin ENG-XSTREAM-340-09 OM Aug. 2006: Xstream with Active Matching Network Remote Plasma Source. Advanced Energy Industries, Inc. <http://www.advanced-energy.net.cn/upload/File/Sources/ENG-Xstream-340-09.pdf>. Accessed: Jul. 19, 2016. pp. 1-4 (2006).
- Bulletin R*evolution—Sep. 2006: Type AX7690—Remote Plasma Source. Source location: MKS Instruments, Inc. <http://www.mksinst.com/>. Accessed: Aug. 6, 2015. pp. 1-2 (2006).
- Callaghan et al. "Magnetic Interactions in Ternary Ruthenium Oxides" *Inorganic Chemistry*, vol. 5, No. 9, pp. 1572-1576 (1966).
- Choi et al. "UV irradiation effects on the bonding structure and electrical properties of ultra low-k SiOC(-H) thin films for 45 nm technology node" *Current Applied Physics*, 11, S109-S113 (2011).
- Closser et al., "Molecular Layer Deposition Of A Highly Stable Silicon Oxycarbide Thin Film Using An Organic Chlorosilane And Water," *ACS Applied Materials & Interfaces* 10, pp. 24266-24274 (2018).
- Crystal IS "Application Note: Using UV Reflective Materials to Maximize Disinfection"; AN011; Jun. 16, 2016, found at <https://www.klaran.com/using-uv-reflective-materials-to-maximize-disinfection>.
- Dufond et al. "Quantifying the Extent of Ligand Incorporation and the Effect on Properties of TiO₂ Thin Films Grown by Atomic Layer Deposition Using an Alkoxide or an Alkylamide" *Chemistry of Material*, American Chemical Society 32(4), pp. 1393-1407 (2020).
- Dultsev et al. "Effect of UV radiation on the reactivity of porous methyl-doped SiO₂ layers" *Phys. Status Solidi C*, 8, No. 6, pp. 1946-1949 (2011).
- Esposito et al. "Preparation and characterization of lead ruthenate based composite cathodes for SOFC applications" *Mater. Res. Soc. Symp. Proc.*, vol. 835, 6 pages (2005).
- Fray et al. "Aspects of the Application of Electrochemistry to the Extraction of Titanium and Its Applications" *Materials Transactions*, vol. 58, No. 3, pp. 306-312 (2017).
- Freund et al. "Single crystal growth from separated educts and its application to lithium transition-metal oxides" *Sci. Rep.* 6, 35362, pp. 1-5 (2016).
- Frequently Asked Question, "What is a load lock chamber?", Kurt J. Lesker Company, www.lesker.com, p. 1 (2020).
- Hong et al. "Ultralow-dielectric-constant amorphous boron nitride" *Nature*, vol. 582, 16 pages (2020).
- Hubert et al., "A Stacked SONOS Technology, up to 4 Levels and 6nm Crystalline Nanowires, With Gate-All-Around or Independent Gates (-Flash), Suitable for Full 3D Integration," *Minatec, IEDM09-637-640* (2009).
- Ivanova et al. "ALD of Sc₂O₃ using Sc(Cp)₃ and a Novel Heteroleptic Precursors" Presented on the AVS 19th International Conference on Atomic Layer Deposition, Jul. 23, 2019, Abstract, 1 page (2019).
- Johnson et al. "A brief review of atomic layer deposition: from fundamentals to applications" *Materials Today*, vol. 17, Issue 5, pp. 236-246 (2014).

(56)

References Cited

OTHER PUBLICATIONS

- Juppo et al. "Deposition of molybdenum thin films by an alternate supply of MoCl₅ and Zn" *J of Vacuum Science & Technology A*, 16, pp. 2845-2850 (1998).
- Katamreddy et al., "ALD and Characterization of Aluminum Oxide Deposited on Si(100) using Tris(diethylamino) Aluminum and Water Vapor." *Journal of The Electrochemical Society*, 153 (10) C701-C706 (2006).
- Kim et al. "Thermal Decomposition of Tetrakis(ethylmethylamido) Titanium for Chemical Vapor Deposition of Titanium Nitride" *Bull. Korean Chem. Soc.*, vol. 27, No. 2, 5 pages (2006).
- Kirsch et al. "Dipole model explaining high-k/metal gate field effect transistor threshold voltage tuning" *Applied Physics Letters* 92, 092901, 3 pages (2008).
- Kjesbu, ABB Corporate Research, Internet, pp. 1-37 (2002).
- Kofuji et al. "Line-edge roughness increase due to wiggling enhanced by initial pattern waviness" *Jpn. J. Appl. Phys.* 53, 03DE01, pp. 1-7 (2014).
- Kofuji et al. "Mechanism of wiggling enhancement due to HBr gas addition during amorphous carbon etching" *Jpn. J. Appl. Phys.* 54, 06FH04, pp. 107 (2015).
- Kovalgin et al. "Hot-Wire Assisted ALD: A Study Powered by In Situ Spectroscopic Ellipsometry" *Adv. Mater. Interfaces* 4, 1700058, 11 pages (2017).
- Krumdieck et al. "Experimental Characterization and Modeling of Pulsed MOCVD with Ultrasonic Atomization of Liquid Precursor" *Chem. Vap. Deposition*, 7 (2), pp. 85-90 (2001).
- Krumdieck "Kinetic Model of Low Pressure Film Deposition from Single Precursor Vapor in a Well-Mixed, Cold-Wall Reactor" *Acta mater.*, 49, pp. 583-588 (2001).
- Kuchumov et al. "Pulsed MO CVD Processes of MgO Layer Deposition from Mg(thd)₂" *ECS Trans.* 25, pp. 927-934 (2009).
- Kukli et al. "Atomic Layer Deposition and Chemical Vapor Deposition of Tantalum Oxide by Successive and Simultaneous Pulsing of Tantalum Ethoxide and Tantalum Chloride" *Chem. Mater.* 12, pp. 1914-1920 (2000).
- Kukli et al. "Atomic Layer Epitaxy Growth of Tantalum Oxide Thin Films from Ta(OC₂H₅)₅ and H₂O" *The Electrochemical Society*, vol. 142, No. 5, pp. 1670-1674 (1995).
- Kumar et al. "Bringing the benefits of Java to Bluetooth" <http://www.allembedded.com/story/OEG20020519S001>, pp. 1-3 (2002).
- Mameli et al. "Area-Selective Atomic Layer Deposition of SiO₂ Using Acetylacetone as a Chemoselective Inhibitor in an ABC-Type Cycle" *ACS Nano* 11, pp. 9303-9311 (2017).
- Mameli et al. "Isotropic Atomic Layer Etching of ZnO Using Acetylacetone and O₂ Plasma" *ACS Appl. Mater. Interfaces* 10, pp. 38588-38595 (2018).
- Naslain et al. "Synthesis of highly tailored ceramic matrix composites by pressure-pulsed CVD" *Solid State Ionics*, 141-142, pp. 541-548 (2001).
- Niinisto et al. "Advanced electronic and optoelectronic materials by Atomic Layer Deposition: An overview with special emphasis on recent progress in processing of high-k dielectrics and other oxide materials" *Pus. Stat. Sol. (a)* 201, No. 7, pp. 1443-1452 (2004).
- Ohzawa et al. "Preparation of fibrous SiC shape using pressure-pulsed chemical vapour infiltration and its properties as a high-temperature filter" *J. of Materials Processing Technology*, 96, pp. 151-156 (1999).
- O'Malley et al. "Structure and properties of ordered Li₂IrO₃ and Li₂PtO₃" *Journal of Solid State Chemistry* 181, pp. 1803-1809 (2008).
- Park et al. "Atomic layer deposition of Y₂O₃ films using heteroleptic liquid (iPrCp)₂Y(iPr-amd) precursor" *J. Mater. Chem. C*, 2, 9 pages (2014).
- Peters et al., "Aerosol-Assisted Chemical Vapor Deposition of NbS₂ and TaS₂ Thin Films from Pentakis(dimethylamido)metal Complexes and 2-Methylpropanethiol" *Eur. J. Inorg. Chem.*, pp. 4179-4185 (2005).
- Posseme et al. "Alternative process for thin layer etching: Application to nitride spacer etching stopping on silicon germanium" *Apply. Phys. Lett.* 105, 051604, pp. 1-4 (2014).
- Provine et al. "Atomic Layer Deposition: Introduction to the Theory and Cambridge Nanotech Savannah & Fiji" NNIN ALD Roadshow Presentation, 49 pages (2012).
- Rosemount 1199 Diaphragm Seal Systems, Product Data Sheet, 92 pages (2008).
- Senateur et al. "Pulsed Injection MOCVD of Functional Electronic Oxides" *Adv. Mater. Opt. Electron*, 10, pp. 155-161 (2000).
- Shevtsov et al. "An Apparatus for Pulse Chemical Vapor Deposition of Layers" *Instruments and Experimental Techniques*, vol. 56, No. 3, pp. 353-357 (2013).
- Shevtsov et al. "Effect of Spatial Image Transfer in a Pulse MOCVD Process" *Physics Procedia* 46, pp. 27-32 (2013).
- Stannowski et al. "Growth process and properties of silicon nitride deposited by hot-wire chemical vapor deposition" *J Applied Physics*, vol. 93 No. 5, 9 pages (2013).
- Tomozeiu et al. "Effects of UV photon irradiation on SiO_x (0<x<2) structural properties" *Applied Surface Science* 253, pp. 376-380 (2006).
- U.S. Appl. No. 60/394,086, filed Jul. 3, 2002 in the name of Jacques Schmitt, and entitled "ALD on a Rotary Susceptor" pp. 1-23 (2002).
- U.S. Appl. No. 62/293,897, filed Feb. 11, 2016 in the names of Bernardo Donoso et al., and entitled "Vapor Based Site-Isolated Processing Systems and Methods" pp. 1-51 (2016).
- Vallat et al. "Area selective deposition of TiO₂ by intercalation of plasma etching cycles in PEALD process: A bottom up approach for the simplification of 3D integration scheme" *Journal of Vacuum Science & Technology A* 37(2), 12 pages (2019).
- Vallat et al. "Selective deposition of Ta₂O₅ by adding plasma etching super-cycles in plasma enhanced atomic layer deposition steps" *Journal of Vacuum Science & Technology A* 35(1), 7 pages (2016).
- Venkatesan et al. "A rugged lead-ruthenate pyrochlore membrane catalyst for highly selective oxidation of alcohols" *J. Molecular Catalysis A: Chemical* 250, pp. 87-93 (2006).
- Xiao "Introduction to Semiconductor Manufacturing Technology" SPIE Press, ISBN 978-0-08194-9092-6, pp. 237-245 (2012).
- Yuan et al. "A Bifunctional Air Electrode Catalyzed by Lead Ruthenate for Li-Air Batteries" *ECS Transactions* 69(19), pp. 23-32 (2015).
- Zhao et al. "Surface Chemistry of Thermal Dry Etching of Cobalt Thin Films Using Hexafluoroacetylacetone (hfacH)" *Appl Surf Sci.* 455, pp. 438-445 (2018).
- Zhao et al. "Thermal and Plasma-Enhanced Atomic Layer Deposition of Yttrium Oxide Films and the Properties of Water Wettability" *Appl. Mater. Interfac.* 12(2), 9 pages (2019).
- CNIPA; Office Action dated Jan. 21, 2020 in Application No. 201610028064.1.
- CNIPA; Office Action dated Feb. 28, 2020 in Application No. 201610897958.4.
- EPO; Extended European Search Report dated Mar. 3, 2020 in Application No. 19205558.0.
- KIPO; Office Action dated Feb. 28, 2020 in Application No. 10-2013-0049598.
- KIPO; Notice of Allowance dated Feb. 27, 2020 in Application No. 10-2013-0089998.
- KIPO; Notice of Allowance dated Mar. 4, 2020 in Application No. 10-2013-0114079.
- KIPO; Office Action dated Mar. 30, 2020 in Application No. 10-2014-0011764.
- KIPO; Office Action dated Mar. 11, 2020 in Application No. 10-2014-0103853.
- KIPO; Office Action dated Feb. 12, 2020 in Application No. 10-2020-7000992.
- TIPO; Notice of Allowance dated Feb. 20, 2020 in Application No. 102125191.
- TIPO; Office Action dated Jan. 17, 2020 in Application No. 104108277.
- TIPO; Notice of Allowance dated Jan. 15, 2020 in Application No. 105114105.
- TIPO; Notice of Allowance dated Mar. 13, 2020 in Application No. 105119533.

(56)

References Cited

OTHER PUBLICATIONS

- TIPO; Office Action dated Jan. 17, 2020 in Application No. 105122586.
TIPO; Office Action dated Jan. 17, 2020 in Application No. 107127688.
TIPO; Office Action dated Feb. 3, 2020 in Application No. 108114221.
TIPO; Notice of Allowance dated Mar. 12, 2020 in Application No. 108129100.
USPTO; Final Office Action dated Feb. 20, 2020 in U.S. Appl. No. 14/444,744.
USPTO; Non-Final Office Action dated Mar. 5, 2020 in U.S. Appl. No. 14/508,489.
USPTO; Final Office Action dated Mar. 3, 2020 in U.S. Appl. No. 14/829,565.
USPTO; Notice of Allowance dated Mar. 5, 2020 in U.S. Appl. No. 15/060,412.
USPTO; Advisory Action dated Mar. 31, 2020 in U.S. Appl. No. 15/286,503.
USPTO; Final Office Action dated Feb. 19, 2020 in U.S. Appl. No. 15/402,993.
USPTO; Advisory Action dated Apr. 2, 2020 in U.S. Appl. No. 15/402,993.
USPTO; Notice of Allowance dated Feb. 28, 2020 in U.S. Appl. No. 15/589,849.
USPTO; Non-Final Office Action dated Mar. 10, 2020 in U.S. Appl. No. 15/611,707.
USPTO; Notice of Allowance dated Feb. 28, 2020 in U.S. Appl. No. 15/615,489.
USPTO; Non-Final Office Action dated Mar. 11, 2020 in U.S. Appl. No. 15/636,307.
USPTO; Final Office Action dated Mar. 27, 2020 in U.S. Appl. No. 15/672,096.
USPTO; Advisory Action dated Mar. 16, 2020 in U.S. Appl. No. 15/726,959.
USPTO; Non-Final Office Action dated Apr. 3, 2020 in U.S. Appl. No. 15/726,959.
USPTO; Notice of Allowance dated Mar. 12, 2020 in U.S. Appl. No. 15/795,056.
USPTO; Final Office Action dated Mar. 19, 2020 in U.S. Appl. No. 15/798,201.
USPTO; Final Office Action dated Mar. 11, 2020 in U.S. Appl. No. 15/802,154.
USPTO; Advisory Action dated Mar. 25, 2020 in U.S. Appl. No. 15/815,483.
USPTO; Non-Final Office Action dated Mar. 17, 2020 in U.S. Appl. No. 15/835,328.
USPTO; Non-Final Office Action dated Feb. 20, 2020 in U.S. Appl. No. 15/835,352.
USPTO; Non-Final Office Action dated Mar. 30, 2020 in U.S. Appl. No. 15/860,564.
USPTO; Non-Final Office Action dated Mar. 20, 2020 in U.S. Appl. No. 15/861,418.
USPTO; Final Office Action dated Feb. 26, 2020 in U.S. Appl. No. 15/890,037.
USPTO; Non-Final Office Action dated Mar. 24, 2020 in U.S. Appl. No. 15/896,986.
USPTO; Notice of Allowance dated Mar. 27, 2020 in U.S. Appl. No. 15/897,578.
USPTO; Final Office Action dated Mar. 12, 2020 in U.S. Appl. No. 15/923,834.
USPTO; Final Office Action dated Feb. 19, 2020 in U.S. Appl. No. 15/940,759.
USPTO; Notice of Allowance dated Mar. 12, 2020 in U.S. Appl. No. 15/949,990.
USPTO; Non-Final Office Action dated Apr. 2, 2020 in U.S. Appl. No. 15/974,948.
USPTO; Notice of Allowance dated Apr. 3, 2020 in U.S. Appl. No. 15/985,261.
USPTO; Non-Final Office Action dated Apr. 1, 2020 in U.S. Appl. No. 15/997,445.
USPTO; Non-Final Office Action dated Mar. 3, 2020 in U.S. Appl. No. 16/000,109.
USPTO; Advisory Action dated Apr. 3, 2020 in U.S. Appl. No. 16/000,125.
USPTO; Non-Final Office Action dated Mar. 4, 2020 in U.S. Appl. No. 16/036,692.
USPTO; Advisory Action dated Feb. 28, 2020 in U.S. Appl. No. 16/038,024.
USPTO; Notice of Allowance dated Mar. 23, 2020 in U.S. Appl. No. 16/038,024.
USPTO; Notice of Allowance dated Apr. 3, 2020 in U.S. Appl. No. 16/039,867.
USPTO; Non-Final Office Action dated Feb. 20, 2020 in U.S. Appl. No. 16/105,745.
USPTO; Non-Final Office Action dated Feb. 24, 2020 in U.S. Appl. No. 16/105,761.
USPTO; Non-Final Office Action dated Mar. 19, 2020 in U.S. Appl. No. 16/105,802.
USPTO; Non-Final Office Action dated Mar. 16, 2020 in U.S. Appl. No. 16/116,708.
USPTO; Non-Final Office Action dated Feb. 28, 2020 in U.S. Appl. No. 16/137,974.
USPTO; Final Office Action dated Mar. 2, 2020 in U.S. Appl. No. 16/158,077.
USPTO; Final Office Action dated Mar. 17, 2020 in U.S. Appl. No. 16/161,744.
USPTO; Notice of Allowance dated Mar. 5, 2020 in U.S. Appl. No. 16/167,225.
USPTO; Non-Final Office Action dated Feb. 19, 2020 in U.S. Appl. No. 16/242,829.
USPTO; Advisory Action dated Apr. 3, 2020 in U.S. Appl. No. 16/251,534.
USPTO; Notice of Allowance dated Apr. 15, 2020 in U.S. Appl. No. 16/317,774.
USPTO; Non-Final Office Action dated Mar. 2, 2020 in U.S. Appl. No. 16/356,394.
USPTO; Notice of Allowance dated Mar. 30, 2020 in U.S. Appl. No. 16/417,938.
USPTO; Final Office Action dated Jan. 10, 2020 in U.S. Appl. No. 16/674,894.
WIPO; International Search Report and Written Opinion dated Apr. 17, 2019 in Application No. PCT/NL2018/050787.
Rossing et al. "Acoustics of Eastern and Western bells, Old and New" J of Acoustical Society of Japan; 10(5); pp. 241-252 (1989).
CNIPA; Office Action dated Jan. 10, 2013 in Application No. 201080015699.9.
CNIPA; Office Action dated Aug. 1, 2013 in Application No. 201080015699.9.
CNIPA; Office Action dated Jan. 21, 2014 in Application No. 201080015699.9.
CNIPA; Office Action dated Jul. 25, 2014 in Application No. 201080015699.9.
CNIPA; Office Action dated Jan. 12, 2015 in Application No. 201080015699.9.
CNIPA; Notice of Allowance dated May 8, 2015 in Application No. 201080015699.9.
CNIPA; Office Action dated Dec. 10, 2013 in Application No. 201080020267.7.
CNIPA; Notice of Allowance dated Aug. 22, 2014 in Application No. 201080020267.7.
CNIPA; Office Action dated Jan. 21, 2013 in Application No. 201080020268.1.
CNIPA; Office Action dated Sep. 26, 2013 in Application No. 201080020268.1.
CNIPA; Office Action dated Apr. 3, 2014 in Application No. 201080020268.1.
CNIPA; Office Action dated Sep. 23, 2014 in Application No. 201080020268.1.
CNIPA; Office Action dated Apr. 7, 2015 in Application No. 201080020268.1.
CNIPA; Notice of Allowance dated Oct. 16, 2015 in Application No. 201080020268.1.
CNIPA; Office Action dated May 24, 2013 in Application No. 201080036764.6.

(56)

References Cited

OTHER PUBLICATIONS

- CNIPA; Office Action dated Jan. 2, 2014 in Application No. 201080036764.6.
- CNIPA; Office Action dated Jul. 1, 2014 in Application No. 201080036764.6.
- CNIPA; Notice of Allowance dated Oct. 24, 2014 in Application No. 201080036764.6.
- CNIPA; Office Action dated Feb. 8, 2014 in Application No. 201110155056.0.
- CNIPA; Office Action dated Sep. 16, 2014 in Application No. 201110155056.0.
- CNIPA; Office Action dated Feb. 9, 2015 in Application No. 201110155056.0.
- CNIPA; Notice of Allowance dated Aug. 26, 2015 in Application No. 201110155056.0.
- CNIPA; Office Action dated Dec. 4, 2015 in Application No. 201210201995.9.
- CNIPA; Office Action dated Jul. 14, 2016 in Application No. 201210201995.9.
- CNIPA; Office Action dated Jan. 20, 2017 in Application No. 201210201995.9.
- CNIPA; Notice of Allowance dated Apr. 13, 2017 in Application No. 201210201995.9.
- CNIPA; Office Action dated Dec. 24, 2015 in Application No. 201280057466.4.
- CNIPA; Notice of Allowance dated Jun. 16, 2016 in Application No. 201280057466.4.
- CNIPA; Office Action dated Dec. 4, 2015 in Application No. 201280057542.1.
- CNIPA; Office Action dated May 16, 2016 in Application No. 201280057542.1.
- CNIPA; Office Action dated Sep. 9, 2016 in Application No. 201280057542.1.
- CNIPA; Notice of Allowance dated Jan. 3, 2017 in Application No. 201280057542.1.
- CNIPA; Office Action dated Dec. 5, 2016 in Application No. 201310412808.6.
- CNIPA; Notice of Allowance dated Jul. 20, 2017 in Application No. 201310412808.6.
- CNIPA; Office Action dated Feb. 5, 2018 in Application No. 201410331047.6.
- CNIPA; Office Action dated Dec. 14, 2018 in Application No. 201410331047.6.
- CNIPA; Notice of Allowance dated Jun. 14, 2019 in Application No. 201410331047.6.
- CNIPA; Office Action dated Jun. 28, 2019 in Application No. 201510765170.3.
- CNIPA; Office Action dated Oct. 19, 2018 in Application No. 201510765170.3.
- CNIPA; Office Action dated Oct. 31, 2018 in Application No. 201510765406.3.
- CNIPA; Office Action dated Jun. 28, 2019 in Application No. 201510765406.3.
- CNIPA; Office Action dated Mar. 14, 2019 in Application No. 201610141027.1.
- CNIPA; Office Action dated Dec. 20, 2018 in Application No. 201710738549.4.
- CNIPA; Office Action dated Jun. 20, 2019 in Application No. 201711120632.1.
- CNIPA; Notice of Allowance dated May 25, 2017 in Application No. 201730010308.9.
- CNIPA; Notice of Allowance dated Oct. 24, 2018 in Application No. 201830060972.9.
- CNIPA; Notice of Allowance dated Nov. 1, 2018 in Application No. 201830397219.9.
- EPO; Supplementary European Search Report and Opinion dated Nov. 9, 2012 in Application No. 08798519.8.
- EPO; Office Action dated Jul. 18, 2016 in Application No. 08798519.8.
- EPO; Extended European Search Report dated Dec. 9, 2016 in Application No. 9767208.3.
- EPO; Office Action dated Aug. 10, 2018 in Application No. 09767208.3.
- EPO; Supplementary European Search Report and Opinion dated Jan. 5, 2017 in Application No. 09836647.9.
- EPO; Office Action dated Feb. 28, 2018 in Application No. 09836647.9.
- EPO; Office Action dated Jan. 11, 2019 in Application No. 09836647.9.
- EPO; Extended European Search Report dated Apr. 28, 2014 in Application No. 11162225.4.
- EPO; Notice of Allowance dated Feb. 3, 2015 in Application No. 11162225.4.
- IPOS; Notice of Allowance dated Aug. 14, 2017 in Application No. 10201401237.
- JPO; Office Action dated Aug. 10, 2009 in Application No. 2003029767.
- JPO; Office Action dated Apr. 13, 2010 in Application No. 2003029767.
- JPO; Notice of Allowance dated Jun. 24, 2010 in Application No. 2003029767.
- JPO; Office Action dated Oct. 30, 2008 in Application No. 2004558313.
- JPO; Office Action dated Feb. 19, 2009 in Application No. 2004558313.
- JPO; Notice of Allowance dated Jun. 30, 2009 in Application No. 2004558313.
- JPO; Office Action dated Mar. 16, 2012 in Application No. 2009-532567.
- JPO; Notice of Allowance dated Jul. 23, 2012 in Application No. 2009-532567.
- JPO; Notice of Allowance dated Mar. 29, 2013 in Application No. 2010-509478.
- JPO; Office Action dated Dec. 20, 2011 in Application No. 2010-522075.
- JPO; Office Action dated Apr. 11, 2012 in Application No. 2010-522075.
- JPO; Office Action dated May 15, 2013 in Application No. 2010058415.
- JPO; Office Action dated Oct. 30, 2013 in Application No. 2010058415.
- JPO; Office Action dated Aug. 7, 2014 in Application No. 2010058415.
- JPO; Notice of Allowance dated Dec. 18, 2014 in Application No. 2010058415.
- JPO; Office Action dated Aug. 22, 2013 in Application No. 2010-153754.
- JPO; Office Action dated Oct. 30, 2013 in Application No. 2010-193285.
- JPO; Office Action dated Aug. 26, 2015 in Application No. 2011-284831.
- JPO; Notice of Allowance dated Mar. 3, 2016 in Application No. 2011-284831.
- JPO; Office Action dated May 31, 2012 in Application No. 2011-514650.
- JPO; Office Action dated Sep. 11, 2012 in Application No. 2011-514650.
- JPO; Notice of Allowance dated Dec. 10, 2012 in Application No. 2011-514650.
- JPO; Office Action dated Dec. 10, 2014 in Application No. 2011090067.
- JPO; Notice of Allowance dated Apr. 28, 2015 in Application No. 2011090067.
- JPO; Office Action dated Jul. 14, 2016 in Application No. 2012-153698.
- JPO; Notice of Allowance dated Oct. 21, 2016 in Application No. 2012-153698.
- JPO; Office Action dated Dec. 20, 2013 in Application No. 2012-504786.
- JPO; Office Action dated Jan. 25, 2014 in Application No. 2012-504786.
- JPO; Office Action dated Dec. 1, 2014 in Application No. 2012-504786.
- JPO; Notice of Allowance dated Jun. 12, 2015 in Application No. 2012504786.
- JPO; Office Action dated Mar. 11, 2013 in Application No. 2012-509857.
- JPO; Notice of Allowance dated Jun. 29, 2013 in Application No. 2012-509857.

(56)

References Cited

OTHER PUBLICATIONS

JPO; Office Action dated May 19, 2017 in Application No. 2013-160173.
JPO; Notice of Allowance dated Aug. 23, 2017 in Application No. 2013-160173.
JPO; Office Action dated Aug. 14, 2017 in Application No. 2013-178344.
JPO; Office Action dated Jan. 23, 2018 in Application No. 2013-178344.
JPO; Notice of Allowance dated Jul. 24, 2018 in Application No. 2013-178344.
JPO; Office Action dated Apr. 3, 2018 in Application No. 2014-120675.
JPO; Notice of Allowance dated Jun. 6, 2018 in Application No. 2014-120675.
JPO; Office Action dated Mar. 28, 2018 in Application No. 2014-188835.
JPO; Notice of Allowance dated Jun. 6, 2018 in Application No. 2014-188835.
JPO; Office Action dated Apr. 12, 2018 in Application No. 2014-205548.
JPO; Notice of Allowance dated Dec. 19, 2019 in Application No. 2014205548.
JPO; Notice of Allowance dated May 14, 2018 in Application No. 2014-216540.
JPO; Office Action dated Jul. 20, 2018 in Application No. 2015-034774.
JPO; Office Action dated Jun. 27, 2019 in Application No. 2015034774.
JPO; Office Action dated Jan. 30, 2019 in Application No. 2015052198.
JPO; Notice of Allowance dated Apr. 5, 2019 in Application No. 2015052198.
KIPO; Office Action dated Dec. 10, 2015 in Application No. 10-2010-0028336.
KIPO; Office Action dated Jun. 29, 2016 in Application No. 10-2010-0028336.
KIPO; Notice of Allowance dated Sep. 29, 2016 in Application No. 10-2010-0028336.
KIPO; Office Action dated Mar. 3, 2016 in Application No. 10-2010-0067768.
KIPO; Office Action dated Aug. 1, 2016 in Application No. 10-2010-0067768.
KIPO; Notice of Allowance dated Dec. 1, 2016 in Application No. 10-2010-0067768.
KIPO; Office Action dated May 2, 2016 in Application No. 10-2010-0082446.
KIPO; Office Action dated Sep. 19, 2016 in Application No. 10-2010-0082446.
KIPO; Notice of Allowance dated Mar. 7, 2017 in Application No. 10-2010-0082446.
KIPO; Office Action dated Mar. 13, 2017 in Application No. 20110034612.
KIPO; Office Action dated Jul. 20, 2017 in Application No. 20110034612.
KIPO; Notice of Allowance dated Sep. 1, 2017 in Application No. 20110034612.
KIPO; Office Action dated Nov. 24, 2017 in Application No. 10-2011-0036449.
KIPO; Office Action dated May 23, 2017 in Application No. 10-2011-0036449.
KIPO; Office Action dated Apr. 2, 2018 in Application No. 10-2011-0036449.
KIPO; Notice of Allowance dated Oct. 24, 2018 in Application No. 10-2011-0036449.
KIPO; Office Action dated Sep. 4, 2017 in Application No. 10-2011-0087600.
KIPO; Notice of Allowance dated Jan. 11, 2018 in Application No. 10-2011-0087600.
KIPO; Office Action dated Oct. 23, 2017 in Application No. 10-2011-0142924.

KIPO; Notice of Allowance dated Mar. 14, 2018 in Application No. 10-2011-0142924.
KIPO; Office Action dated Dec. 11, 2015 in Application No. 10-2011-7023416.
KIPO; Office Action dated Mar. 13, 2016 in Application No. 10-2011-7023416.
KIPO; Notice of Allowance dated Jun. 2, 2016 in Application No. 10-2011-7023416.
KIPO; Office Action dated Mar. 21, 2018 in Application No. 10-2012-0004520.
KIPO; Office Action dated Oct. 30, 2017 in Application No. 10-2012-0041878.
KIPO; Notice of Allowance dated Feb. 28, 2018 in Application No. 10-2012-0041878.
KIPO; Office Action dated Mar. 21, 2018 in Application No. 10-2012-0042518.
KIPO; Notice of Allowance dated May 30, 2018 in Application No. 10-2012-0042518.
KIPO; Office Action dated Mar. 21, 2018 in Application No. 10-2012-0064526.
KIPO; Office Action dated Sep. 18, 2018 in Application No. 10-2012-0064526.
KIPO; Office Action dated Dec. 13, 2018 in Application No. 10-2012-0064526.
KIPO; Office Action dated Jan. 12, 2019 in Application No. 10-2012-0064526.
KIPO; Office Action dated Mar. 30, 2018 in Application No. 10-2012-0076564.
KIPO; Office Action dated Sep. 27, 2018 in Application No. 10-2012-0076564.
KIPO; Office Action dated Mar. 27, 2019 in Application No. 10-2012-0076564.
KIPO; Office Action dated Apr. 30, 2018 in Application No. 10-2012-0103114.
KIPO; Notice of Allowance dated Nov. 22, 2018 in Application No. 10-2012-0103114.
KIPO; Office Action dated Oct. 24, 2016 in Application No. 10-2012-7004062.
KIPO; Office Action dated Jul. 24, 2017 in Application No. 10-2012-7004062.
KIPO; Office Action dated Sep. 28, 2017 in Application No. 10-2014-7017112.
KIPO; Notice of Allowance dated Feb. 23, 2018 in Application No. 10-2014-7017112.
KIPO; Office Action dated May 30, 2019 in Application No. 10-2012-7004062.
KIPO; Decision of Intellectual Property Trial and Appeal Board dated May 13, 2019 in Application No. 10-2012-7004062.
KIPO; Office Action dated Apr. 19, 2019 in Application No. 10-2013-0101944.
KIPO; Office Action dated Apr. 24, 2019 in Application No. 10-2013-0036823.
KIPO; Office Action dated May 31, 2019 in Application No. 10-2013-0050740.
KIPO; Office Action dated Mar. 27, 2019 in Application No. 10-2013-0084459.
KIPO; Office Action dated Apr. 30, 2019 in Application No. 10-2013-0088450.
KIPO; Office Action dated May 21, 2019 in Application No. 10-2013-0121554.
KIPO; Office Action dated Jan. 22, 2019 in Application No. 10-2014-7017110.
KIPO; Office Action dated Nov. 9, 2016 in Application No. 10-2016-7023913.
KIPO; Notice of Allowance dated May 30, 2017 in Application No. 10-2016-7023913.
KIPO; Notice of Allowance dated Feb. 27, 2018 in Application No. 10-2017-0175442.
KIPO; Office Action dated Sep. 28, 2017 in Application No. 10-2017-7023740.
KIPO; Notice of Allowance dated Jul. 19, 2018 in Application No. 20187013945.

(56)

References Cited

OTHER PUBLICATIONS

- KIPO; Office Action dated Sep. 15, 2017 in Application No. 30-2017-0001320.
KIPO; Notice of Allowance dated Jan. 19, 2018 in Application No. 30-2017-0001320.
KIPO; Notice of Allowance dated Jul. 10, 2018 in Application No. 30-2017-0052872.
KIPO; Office Action dated Jul. 11, 2018 in Application No. 30-2018-0006016.
KIPO; Notice of Allowance dated Oct. 16, 2018 in Application No. 30-2018-0006016.
KIPO; Office Action dated Jan. 30, 2019 in Application No. 30-2018-0033442.
KIPO; Notice of Allowance dated Apr. 1, 2019 in Application No. 30-2018-0033442.
TIPO; Office Action dated Aug. 30, 2013 in Application No. 97132391.
TIPO; Office Action dated Dec. 20, 2013 in Application No. 98117513.
TIPO; Notice of Allowance dated Jun. 12, 2014 in Application No. 98117513.
TIPO; Office Action dated Jul. 4, 2014 in Application No. 99110511.
TIPO; Notice of Allowance dated Feb. 24, 2016 in Application No. 99110511.
TIPO; Office Action dated Aug. 27, 2014 in Application No. 99114329.
TIPO; Notice of Allowance dated Jan. 28, 2015 in Application No. 99114329.
TIPO; Office Action dated Dec. 26, 2014 in Application No. 99114330.
TIPO; Notice of Allowance dated Apr. 28, 2015 in Application No. 99114330.
TIPO; Office Action dated Aug. 14, 2014 in Application No. 99114331.
TIPO; Notice of Allowance dated Oct. 16, 2015 in Application No. 99114331.
TIPO; Office Action dated Dec. 19, 2014 in Application No. 99127063.
TIPO; Notice of Allowance dated Mar. 14, 2016 in Application No. 99127063.
TIPO; Notice of Allowance dated Oct. 2, 2015 in Application No. 100130472.
TIPO; Office Action dated Feb. 19, 2016 in Application No. 100113130.
TIPO; Notice of Allowance dated Jun. 29, 2016 in Application No. 100113130.
TIPO; Notice of Allowance dated Nov. 2, 2016 in Application No. 101142581.
TIPO; Office Action dated Apr. 28, 2016 in Application No. 101142582.
TIPO; Notice of Allowance dated Aug. 19, 2016 in Application No. 101142582.
TIPO; Office Action dated Aug. 1, 2016 in Application No. 101124745.
TIPO; Notice of Allowance dated Oct. 19, 2016 in Application No. 101124745.
TIPO; Office Action dated Sep. 19, 2016 in Application No. 102113028.
TIPO; Notice of Allowance dated Feb. 13, 2017 in Application No. 102113028.
TIPO; Office Action dated Aug. 2016 in Application No. 102115605.
TIPO; Office Action dated Feb. 24, 2017 in Application No. 102115605.
TIPO; Notice of Allowance dated Dec. 26, 2017 in Application No. 102115605.
TIPO; Office Action dated Nov. 15, 2016 in Application No. 102125191.
TIPO; Office Action dated Jun. 20, 2017 in Application No. 102125191.
TIPO; Office Action dated Dec. 6, 2016 in Application No. 102126071.
TIPO; Office Action dated May 17, 2018 in Application No. 102126071.
TIPO; Notice of Allowance dated Aug. 24, 2018 in Application No. 102126071.
TIPO; Office Action dated Feb. 10, 2017 in Application No. 102127065.
TIPO; Notice of Allowance dated Jul. 18, 2017 in Application No. 102127065.
TIPO; Office Action dated Nov. 3, 2016 in Application No. 102129262.
TIPO; Notice of Allowance dated Mar. 3, 2017 in Application No. 102129262.
TIPO; Office Action dated Dec. 29, 2016 in Application No. 102129397.
TIPO; Notice of Allowance dated Aug. 29, 2017 in Application No. 102129397.
TIPO; Office Action dated Nov. 3, 2016 in Application No. 102131839.
TIPO; Notice of Allowance dated Jan. 26, 2017 in Application No. 102131839.
TIPO; Office Action dated Dec. 2, 2016 in Application No. 102136496.
TIPO; Office Action dated Jan. 10, 2018 in Application No. 102136496.
TIPO; Office Action dated Nov. 11, 2016 in Application No. 102132952.
TIPO; Notice of Allowance dated Apr. 19, 2017 in Application No. 102132952.
TIPO; Office Action dated Jul. 17, 2017 in Application No. 103101400.
TIPO; Notice of Allowance dated Jan. 24, 2018 in Application No. 103101400.
TIPO; Office Action dated Feb. 23, 2017 in Application No. 103102563.
TIPO; Notice of Allowance dated Nov. 30, 2017 in Application No. 103102563.
TIPO; Office Action dated Mar. 3, 2017 in Application No. 103105251.
TIPO; Notice of Allowance dated Oct. 20, 2017 in Application No. 103105251.
TIPO; Office Action dated Nov. 1, 2017 in Application No. 103106021.
TIPO; Notice of Allowance dated Apr. 10, 2018 in Application No. 103106021.
TIPO; Office Action dated Oct. 31, 2017 in Application No. 103106022.
TIPO; Notice of Allowance dated Apr. 10, 2018 in Application No. 103106022.
TIPO; Office Action dated Jul. 5, 2017 in Application No. 103117477.
TIPO; Notice of Allowance dated Jan. 22, 2018 in Application No. 103117477.
TIPO; Office Action dated Nov. 22, 2017 in Application No. 103117478.
TIPO; Notice of Allowance dated Mar. 13, 2018 in Application No. 103117478.
TIPO; Office Action dated May 19, 2017 in Application No. 103120478.
TIPO; Notice of Allowance dated Sep. 25, 2017 in Application No. 103120478.
TIPO; Office Action dated Sep. 20, 2018 in Application No. 103123439.
TIPO; Office Action dated Nov. 8, 2017 in Application No. 103124509.
TIPO; Notice of Allowance dated Apr. 25, 2018 in Application No. 103124509.
TIPO; Office Action dated Nov. 20, 2017 in Application No. 103127588.
TIPO; Notice of Allowance dated Jun. 19, 2018 in Application No. 103127588.
TIPO; Office Action dated Sep. 19, 2017 in Application No. 103127734.
TIPO; Notice of Allowance dated Dec. 11, 2017 in Application No. 103127734.
TIPO; Office Action dated Sep. 26, 2018 in Application No. 103132230.
TIPO; Notice of Allowance dated Jan. 30, 2019 in Application No. 103132230.
TIPO; Office Action dated Nov. 22, 2017 in Application No. 103134537.
TIPO; Notice of Allowance dated Apr. 19, 2018 in Application No. 103134537.
TIPO; Office Action dated Aug. 24, 2017 in Application No. 103136251.

(56)

References Cited

OTHER PUBLICATIONS

- TIPO; Notice of Allowance dated Oct. 17, 2017 in Application No. 103136251.
- TIPO; Office Action dated Feb. 26, 2018 in Application No. 103138510.
- TIPO; Notice of Allowance dated Jun. 13, 2018 in Application No. 103138510.
- TIPO; Office Action dated May 21, 2018 in Application No. 103139014.
- TIPO; Notice of Allowance dated Sep. 11, 2018 in Application No. 103139014.
- TIPO; Office Action dated Jun. 22, 2018 in Application No. 104105533.
- TIPO; Office Action dated Feb. 22, 2019 in Application No. 104105533.
- TIPO; Office Action dated Nov. 19, 2018 in Application No. 104105965.
- TIPO; Office Action dated Jul. 9, 2018 in Application No. 104107876.
- TIPO; Notice of Allowance dated May 9, 2019 in Application No. 104107876.
- TIPO; Office Action dated Aug. 7, 2018 Application No. 104107888.
- TIPO; Notice of Allowance dated Apr. 26, 2019 in Application No. 104107888.
- TIPO; Office Action dated May 6, 2019 in Application No. 104108277.
- TIPO; Office Action dated Jul. 9, 2018 in Application No. 104110326.
- TIPO; Notice of Allowance dated May 8, 2019 in Application No. 104110326.
- TIPO; Office Action dated Jun. 13, 2018 in Application No. 104111910.
- TIPO; Notice of Allowance dated Sep. 18, 2018 in Application No. 104111910.
- TIPO; Office Action dated Apr. 29, 2019 in Application No. 104122889.
- TIPO; Office Action dated Jan. 30, 2019 in Application No. 104122890.
- TIPO; Office Action dated Jul. 11, 2018 in Application No. 104124377.
- TIPO; Notice of Allowance dated Jun. 19, 2019 in Application No. 104124377.
- TIPO; Office Action dated Jan. 7, 2019 in Application No. 104132991.
- TIPO; Notice of Allowance dated Apr. 12, 2019 in Application No. 104132991.
- TIPO; Office Action dated Apr. 25, 2019 in Application No. 104141679.
- TIPO; Office Action dated Apr. 25, 2019 in Application No. 105101536.
- TIPO; Notice of Allowance dated May 7, 2019 in Application No. 105104453.
- TIPO; Notice of Allowance dated Dec. 5, 2017 in Application No. 105308015.
- TIPO; Notice of Allowance dated Apr. 11, 2018 in Application No. 105308015D01.
- TIPO; Office Action dated Nov. 6, 2017 in Application No. 106117181.
- TIPO; Notice of Allowance dated Jun. 5, 2018 in Application No. 106117181.
- TIPO; Office Action dated Sep. 28, 2018 in Application No. 106119537.
- TIPO; Office Action dated Dec. 26, 2018 in Application No. 106127690.
- TIPO; Office Action dated Aug. 31, 2018 in Application No. 106138119.
- TIPO; Office Action dated Jun. 25, 2018 in Application No. 106138800.
- TIPO; Office Action dated Jan. 7, 2019 in Application No. 106138800.
- TIPO; Office Action dated Oct. 3, 2018 in Application No. 106142731.
- TIPO; Office Action dated Sep. 28, 2018 in Application No. 107112951.
- TIPO; Office Action dated Nov. 20, 2018 in Application No. 107118271.
- TIPO; Office Action dated Jun. 4, 2019 in Application No. 107123992.
- TIPO; Office Action dated May 28, 2019 in Application No. 107125586.
- TIPO; Notice of Allowance dated Aug. 29, 2018 in Application No. 107300633.
- TIPO; Notice of Allowance dated Feb. 21, 2019 in Application No. 107303723.
- TIPO; Office Action dated May 31, 2019 in Application No. 108102146.
- USPTO; Notice of Allowance dated Jul. 26, 2005 in U.S. Appl. No. 10/033,058.
- USPTO; Non-Final Office Action dated Aug. 25, 2005 in U.S. Appl. No. 10/191,635.
- USPTO; Final Office Action dated Apr. 25, 2006 in U.S. Appl. No. 10/191,635.
- USPTO; Non-Final Office Action dated Nov. 20, 2006 in U.S. Appl. No. 10/191,635.
- USPTO; Notice of Allowance dated May 21, 2007 in U.S. Appl. No. 10/191,635.
- USPTO; Notice of Allowance dated Feb. 20, 2008 in U.S. Appl. No. 10/191,635.
- USPTO; Non-Final Office Action dated Oct. 22, 2003 in U.S. Appl. No. 10/222,229.
- USPTO; Final Office Action dated Mar. 22, 2004 in U.S. Appl. No. 10/222,229.
- USPTO; Advisory Action dated Oct. 7, 2004 in U.S. Appl. No. 10/222,229.
- USPTO; Non-Final Office Action dated Dec. 22, 2004 in U.S. Appl. No. 10/222,229.
- USPTO; Final Office Action dated Jun. 20, 2005 in U.S. Appl. No. 10/222,229.
- USPTO; Advisory Action dated Nov. 16, 2005 in U.S. Appl. No. 10/222,229.
- USPTO; Notice of Allowance dated Mar. 8, 2006 in U.S. Appl. No. 10/222,229.
- USPTO; Non-Final Office Action dated Jan. 26, 2005 in U.S. Appl. No. 10/838,510.
- USPTO; Notice of Allowance dated Jul. 12, 2005 in U.S. Appl. No. 10/838,510.
- USPTO; Office Action dated Feb. 15, 2011 in U.S. Appl. No. 12/118,596.
- USPTO; Notice of Allowance dated Aug. 4, 2011 in U.S. Appl. No. 12/118,596.
- USPTO; Non-Final Office Action dated Apr. 28, 2010 in U.S. Appl. No. 12/121,085.
- USPTO; Notice of Allowance dated Jul. 26, 2010 in U.S. Appl. No. 12/121,085.
- USPTO; Notice of Allowance dated Oct. 4, 2010 in U.S. Appl. No. 12/121,085.
- USPTO; Non-Final Office Action dated Sep. 13, 2010 in U.S. Appl. No. 12/140,809.
- USPTO; Final Office Action dated Dec. 28, 2010 in U.S. Appl. No. 12/140,809.
- USPTO; Notice of Allowance dated Mar. 17, 2011 in U.S. Appl. No. 12/140,809.
- USPTO; Non-Final Office Action dated Mar. 15, 2011 in U.S. Appl. No. 12/193,924.
- USPTO; Foma; Office Action dated Sep. 30, 2011 in U.S. Appl. No. 12/193,924.
- USPTO; Non-Final Office Action dated Oct. 24, 2012 in U.S. Appl. No. 12/193,924.
- USPTO; Final Office Action dated Apr. 17, 2013 in U.S. Appl. No. 12/193,924.
- USPTO; Advisory Action dated Jul. 9, 2013 in U.S. Appl. No. 12/193,924.
- USPTO; Non-Final Office Action dated Jul. 28, 2011 in U.S. Appl. No. 12/330,096.
- USPTO; Final Office Action dated Jan. 13, 2012 in U.S. Appl. No. 12/330,096.
- USPTO; Notice of Allowance dated Mar. 6, 2012 in U.S. Appl. No. 12/330,096.
- USPTO; Non-Final Office Action dated Mar. 20, 2012 in U.S. Appl. No. 12/330,096.
- USPTO; Notice of Allowance dated Jun. 7, 2012 in U.S. Appl. No. 12/330,096.
- USPTO; Non-Final Office Action dated Apr. 1, 2010 in U.S. Appl. No. 12/357,174.

(56)

References Cited

OTHER PUBLICATIONS

- USPTO; Final Office Action dated Sep. 1, 2010 in U.S. Appl. No. 12/357,174.
- USPTO; Notice of Allowance dated Dec. 13, 2010 in U.S. Appl. No. 12/357,174.
- USPTO; Non-Final Office Action dated Dec. 29, 2010 in U.S. Appl. No. 12/362,023.
- USPTO; Non-Final Office Action dated Jul. 26, 2011 in U.S. Appl. No. 12/416,809.
- USPTO; Final Office Action dated Dec. 6, 2011 in U.S. Appl. No. 12/416,809.
- USPTO; Notice of Allowance dated Apr. 2, 2012 in U.S. Appl. No. 12/416,809.
- USPTO; Advisory Action dated Feb. 3, 2012 in U.S. Appl. No. 12/416,809.
- USPTO; Notice of Allowance dated Jun. 16, 2011 in U.S. Appl. No. 12/430,751.
- USPTO; Notice of Allowance dated Jul. 27, 2011 in U.S. Appl. No. 12/430,751.
- USPTO; Non-Final Office Action dated Aug. 3, 2011 in U.S. Appl. No. 12/436,300.
- USPTO; Final Office Action dated Jan. 23, 2012 in U.S. Appl. No. 12/436,300.
- USPTO; Advisory Action dated Mar. 6, 2012 in U.S. Appl. No. 12/436,300.
- USPTO; Non-Final Office Action dated May 22, 2012 in U.S. Appl. No. 12/436,300.
- USPTO; Notice of Allowance dated Nov. 28, 2012 in U.S. Appl. No. 12/436,300.
- USPTO; Non-Final Office Action dated Apr. 11, 2012 in U.S. Appl. No. 12/436,306.
- USPTO; Final Office Action dated Sep. 26, 2012 in U.S. Appl. No. 12/436,306.
- USPTO; Non-Final Office Action dated May 31, 2013 in U.S. Appl. No. 12/436,306.
- USPTO; Final Office Action dated Oct. 17, 2013 in U.S. Appl. No. 12/436,306.
- USPTO; Non-Final Office Action dated Feb. 4, 2014 in U.S. Appl. No. 12/436,306.
- USPTO; Final Office Action dated Jun. 23, 2014 in U.S. Appl. No. 12/436,306.
- USPTO; Advisory Action dated Oct. 1, 2014 in U.S. Appl. No. 12/436,306.
- USPTO; Non-Final Office Action dated Feb. 3, 2015 in U.S. Appl. No. 12/436,306.
- USPTO; Final Office Action dated May 13, 2015 in U.S. Appl. No. 12/436,306.
- USPTO; Non-Final Office Action dated Oct. 14, 2015 in U.S. Appl. No. 12/436,306.
- USPTO; Final Office Action dated Dec. 31, 2015 in U.S. Appl. No. 12/436,306.
- USPTO; Notice of Allowance dated Feb. 3, 2016 in U.S. Appl. No. 12/436,306.
- USPTO; Non-Final Office Action dated Aug. 3, 2011 in U.S. Appl. No. 12/436,315.
- USPTO; Notice of Allowance dated Nov. 17, 2011 in U.S. Appl. No. 12/436,315.
- USPTO; Notice of Allowance dated Oct. 1, 2010 in U.S. Appl. No. 12/467,017.
- USPTO; Non-Final Office Action dated Mar. 18, 2010 in U.S. Appl. No. 12/489,252.
- USPTO; Notice of Allowance dated Sep. 2, 2010 in U.S. Appl. No. 12/489,252.
- USPTO; Non-Final Office Action dated Dec. 15, 2010 in U.S. Appl. No. 12/553,759.
- USPTO; Final Office Action dated May 4, 2011 in U.S. Appl. No. 12/553,759.
- USPTO; Advisory Action dated Jul. 13, 2011 in U.S. Appl. No. 12/553,759.
- USPTO; Non-Final Office Action dated Sep. 6, 2011 in U.S. Appl. No. 12/553,759.
- USPTO; Notice of Allowance dated Jan. 27, 2012 in U.S. Appl. No. 12/553,759.
- USPTO; Non-Final Office Action dated Oct. 19, 2012 in U.S. Appl. No. 12/618,355.
- USPTO; Final Office Action dated May 8, 2013 in U.S. Appl. No. 12/618,355.
- USPTO; Advisory Action dated Jul. 23, 2013 in U.S. Appl. No. 12/618,355.
- USPTO; Non-Final Office Action dated Apr. 8, 2015 in U.S. Appl. No. 12/618,355.
- USPTO; Final Office Action dated Oct. 22, 2015 in U.S. Appl. No. 12/618,355.
- USPTO; Advisory Action dated Mar. 4, 2016 in U.S. Appl. No. 12/618,355.
- USPTO; Non-Final Office Action dated Jun. 30, 2016 in U.S. Appl. No. 12/618,355.
- USPTO; Final Office Action dated Feb. 10, 2017 in U.S. Appl. No. 12/618,355.
- USPTO; Advisory Action dated May 16, 2017 in U.S. Appl. No. 12/618,355.
- USPTO; Non-Final Office Action dated Nov. 29, 2017 in U.S. Appl. No. 12/618,355.
- USPTO; Final Office Action dated Aug. 10, 2018 in U.S. Appl. No. 12/618,355.
- USPTO; Notice of Allowance dated Apr. 4, 2019 in U.S. Appl. No. 12/618,355.
- USPTO; Non-Final Office Action dated Feb. 16, 2012 in U.S. Appl. No. 12/618,419.
- USPTO; Final Office Action dated Jun. 22, 2012 in U.S. Appl. No. 12/618,419.
- USPTO; Non-Final Office Action dated Nov. 27, 2012 in U.S. Appl. No. 12/618,419.
- USPTO; Advisory Action dated Aug. 9, 2012 in U.S. Appl. No. 12/618,419.
- USPTO; Notice of Allowance dated Apr. 12, 2013 in U.S. Appl. No. 12/618,419.
- USPTO; Non-Final Office Action dated Jun. 12, 2013 in U.S. Appl. No. 12/618,419.
- USPTO; Notice of Allowance dated Oct. 9, 2013 in U.S. Appl. No. 12/618,419.
- USPTO; Non-Final Office Action dated Dec. 6, 2011 in U.S. Appl. No. 12/718,731.
- USPTO; Notice of Allowance dated Mar. 16, 2012 in U.S. Appl. No. 12/718,731.
- USPTO; Office Action dated Feb. 26, 2013 in U.S. Appl. No. 12/754,223.
- USPTO; Final Office Action dated Jun. 28, 2013 in U.S. Appl. No. 12/754,223.
- USPTO; Office Action dated Feb. 25, 2014 in U.S. Appl. No. 12/754,223.
- USPTO; Final Office Action dated Jul. 14, 2014 in U.S. Appl. No. 12/754,223.
- USPTO; Non-Final Office Action dated Mar. 25, 2015 in U.S. Appl. No. 12/754,223.
- USPTO; Final Office Action dated Aug. 12, 2015 in U.S. Appl. No. 12/754,223.
- USPTO; Notice of Allowance dated May 23, 2016 in U.S. Appl. No. 12/754,223.
- USPTO; Office Action dated Apr. 23, 2013 in U.S. Appl. No. 12/763,037.
- USPTO; Final Office Action dated Oct. 21, 2013 in U.S. Appl. No. 12/763,037.
- USPTO; Office Action dated Oct. 8, 2014 in U.S. Appl. No. 12/763,037.
- USPTO; Notice of Allowance dated Jan. 27, 2015 in U.S. Appl. No. 12/763,037.
- USPTO; Non-Final Office Action dated Jan. 24, 2011 in U.S. Appl. No. 12/778,808.
- USPTO; Notice of Allowance dated May 9, 2011 in U.S. Appl. No. 12/778,808.

(56)

References Cited

OTHER PUBLICATIONS

- USPTO; Notice of Allowance dated Oct. 12, 2012 in U.S. Appl. No. 12/832,739.
- USPTO; Non-Final Office Action dated Oct. 16, 2012 in U.S. Appl. No. 12/847,848.
- USPTO; Final Office Action dated Apr. 22, 2013 in U.S. Appl. No. 12/847,848.
- USPTO; Advisory Action dated Jul. 1, 2013 in U.S. Appl. No. 12/847,848.
- USPTO; Notice of Allowance dated Jan. 16, 2014 in U.S. Appl. No. 12/847,848.
- USPTO; Office Action dated Dec. 6, 2012 in U.S. Appl. No. 12/854,818.
- USPTO; Final Office Action dated Mar. 13, 2013 in U.S. Appl. No. 12/854,818.
- USPTO; Office Action dated Aug. 30, 2013 in U.S. Appl. No. 12/854,818.
- USPTO; Final Office Action dated Mar. 26, 2014 in U.S. Appl. No. 12/854,818.
- USPTO; Office Action dated Jun. 3, 2014 in U.S. Appl. No. 12/854,818.
- USPTO; Non-Final Office Action dated Jul. 11, 2012 in U.S. Appl. No. 12/875,889.
- USPTO; Notice of Allowance dated Jan. 4, 2013 in U.S. Appl. No. 12/875,889.
- USPTO; Notice of Allowance dated Jan. 9, 2012 in U.S. Appl. No. 12/901,323.
- USPTO; Non-Final Office Action dated Nov. 20, 2013 in U.S. Appl. No. 12/910,607.
- USPTO; Final Office Action dated Apr. 28, 2014 in U.S. Appl. No. 12/910,607.
- USPTO; Advisory Action dated Jul. 9, 2014 in U.S. Appl. No. 12/910,607.
- USPTO; Notice of Allowance dated Aug. 15, 2014 in U.S. Appl. No. 12/910,607.
- USPTO; Non-Final Office Action dated Oct. 24, 2012 in U.S. Appl. No. 12/940,906.
- USPTO; Final Office Action dated Feb. 13, 2013 in U.S. Appl. No. 12/940,906.
- USPTO; Notice of Allowance dated Apr. 23, 2013 in U.S. Appl. No. 12/940,906.
- USPTO; Non-Final Office Action dated Dec. 7, 2012 in U.S. Appl. No. 12/953,870.
- USPTO; Final Office Action dated Apr. 22, 2013 in U.S. Appl. No. 12/953,870.
- USPTO; Advisory Action dated Jul. 8, 2013 in U.S. Appl. No. 12/953,870.
- USPTO; Non-Final Office Action dated Aug. 28, 2013 in U.S. Appl. No. 12/953,870.
- USPTO; Final Office Action dated Apr. 17, 2014 in U.S. Appl. No. 12/953,870.
- USPTO; Non-Final Office Action dated Sep. 19, 2012 in U.S. Appl. No. 13/016,735.
- USPTO; Final Office Action dated Feb. 11, 2013 in U.S. Appl. No. 13/016,735.
- USPTO; Notice of Allowance dated Apr. 24, 2013 in U.S. Appl. No. 13/016,735.
- USPTO; Non-Final Office Action dated Apr. 4, 2012 in U.S. Appl. No. 13/030,438.
- USPTO; Final Office Action dated Aug. 22, 2012 in U.S. Appl. No. 13/030,438.
- USPTO; Notice of Allowance dated Oct. 24, 2012 in U.S. Appl. No. 13/030,438.
- USPTO; Non-Final Office Action dated Dec. 3, 2012 in U.S. Appl. No. 13/040,013.
- USPTO; Notice of Allowance dated May 3, 2013 in U.S. Appl. No. 13/040,013.
- USPTO; Non-Final Office Action dated Feb. 15, 2012 in U.S. Appl. No. 13/085,531.
- USPTO; Notice of Allowance dated Jul. 12, 2012 in U.S. Appl. No. 13/085,531.
- USPTO; Notice of Allowance dated Sep. 13, 2012 in U.S. Appl. No. 13/085,698.
- USPTO; Non-Final Office Action dated Mar. 29, 2013 in U.S. Appl. No. 13/094,402.
- USPTO; Final Office Action dated Jul. 17, 2013 in U.S. Appl. No. 13/094,402.
- USPTO; Notice of Allowance dated Sep. 30, 2013 in U.S. Appl. No. 13/094,402.
- USPTO; Office Action dated Oct. 7, 2013 in U.S. Appl. No. 13/102,980.
- USPTO; Final Office Action dated Mar. 25, 2014 in U.S. Appl. No. 13/102,980.
- USPTO; Advisory Action dated Jun. 12, 2014 in U.S. Appl. No. 13/102,980.
- USPTO; Notice of Allowance dated Jul. 3, 2014 in U.S. Appl. No. 13/102,980.
- USPTO; Notice of Allowance dated Sep. 17, 2014 in U.S. Appl. No. 13/102,980.
- USPTO; Non-Final Office Action dated Jul. 17, 2014 in U.S. Appl. No. 13/154,271.
- USPTO; Final Office Action dated Jan. 2, 2015 in U.S. Appl. No. 13/154,271.
- USPTO; Non-Final Office Action dated May 27, 2015 in U.S. Appl. No. 13/154,271.
- USPTO; Final Office Action dated Nov. 23, 2015 in U.S. Appl. No. 13/154,271.
- USPTO; Notice of Allowance dated Feb. 10, 2016 in U.S. Appl. No. 13/154,271.
- USPTO; Non-Final Office Action dated Jun. 27, 2016 in U.S. Appl. No. 13/166,367.
- USPTO; Final Office Action dated Dec. 30, 2016 in U.S. Appl. No. 13/166,367.
- USPTO; Advisory Action dated Apr. 21, 2017 in U.S. Appl. No. 13/166,367.
- USPTO; Notice of Allowance dated Jun. 28, 2017 in U.S. Appl. No. 13/166,367.
- USPTO; Non-Final Office Action dated Oct. 27, 2014 in U.S. Appl. No. 13/169,951.
- USPTO; Final Office Action dated May 26, 2015 in U.S. Appl. No. 13/169,951.
- USPTO; Non-Final Office Action dated Sep. 1, 2015 in U.S. Appl. No. 13/169,951.
- USPTO; Final Office Action dated Mar. 3, 2016 in U.S. Appl. No. 13/169,951.
- USPTO; Non-Final Office Action dated Jun. 9, 2016 in U.S. Appl. No. 13/169,951.
- USPTO; Final Office Action dated Dec. 9, 2016 in U.S. Appl. No. 13/169,951.
- USPTO; Advisory Action dated May 13, 2016 in U.S. Appl. No. 13/169,951.
- USPTO; Advisory Action dated Feb. 15, 2017 in U.S. Appl. No. 13/169,951.
- USPTO; Non-Final Office Action dated Apr. 26, 2017 in U.S. Appl. No. 13/169,951.
- USPTO; Final Office Action dated Nov. 2, 2017 in U.S. Appl. No. 13/169,951.
- USPTO; Advisory Action dated Feb. 8, 2018 in U.S. Appl. No. 13/169,951.
- USPTO; Non-Final Office Action dated Apr. 6, 2018 in U.S. Appl. No. 13/169,951.
- USPTO; Final Office Action dated Nov. 2, 2018 in U.S. Appl. No. 13/169,951.
- USPTO; Advisory Action dated Feb. 4, 2019 in U.S. Appl. No. 13/169,951.
- USPTO; Notice of Allowance dated Apr. 4, 2019 in U.S. Appl. No. 13/169,951.
- USPTO; Non-Final Office Action dated Jun. 24, 2014 in U.S. Appl. No. 13/181,407.
- USPTO; Final Office Action dated Sep. 24, 2014 in U.S. Appl. No. 13/181,407.

(56)

References Cited

OTHER PUBLICATIONS

- USPTO; Advisory Action dated Dec. 17, 2014 in U.S. Appl. No. 13/181,407.
- USPTO; Non-Final Office Action dated Jan. 2, 2015 in U.S. Appl. No. 13/181,407.
- USPTO; Final Office Action dated Apr. 8, 2015 in U.S. Appl. No. 13/181,407.
- USPTO; Non-Final Office Action dated Jan. 23, 2013 in U.S. Appl. No. 13/184,351.
- USPTO; Final Office Action dated Jul. 29, 2013 in U.S. Appl. No. 13/184,351.
- USPTO; Advisory Action dated Nov. 7, 2013 in U.S. Appl. No. 13/184,351.
- USPTO; Non-Final Office Action dated Jul. 16, 2014 in U.S. Appl. No. 13/184,351.
- USPTO; Final Office Action dated Feb. 17, 2015 in U.S. Appl. No. 13/184,351.
- USPTO; Advisory Action dated May 18, 2015 in U.S. Appl. No. 13/184,351.
- USPTO; Non-Final Office Action dated Aug. 10, 2015 in U.S. Appl. No. 13/184,351.
- USPTO; Final Office Action dated Feb. 12, 2016 in U.S. Appl. No. 13/184,351.
- USPTO; Non-Final Office Action dated Dec. 15, 2016 in U.S. Appl. No. 13/184,351.
- USPTO; Final Office Action dated Jun. 15, 2017 in U.S. Appl. No. 13/184,351.
- USPTO; Advisory Action dated Oct. 4, 2017 in U.S. Appl. No. 13/184,351.
- USPTO; Non-Final Office Action dated Jul. 26, 2018 in U.S. Appl. No. 13/184,351.
- USPTO; Final Office Action dated Dec. 28, 2018 in U.S. Appl. No. 13/184,351.
- USPTO; Non-Final Office Action dated Sep. 17, 2014 in U.S. Appl. No. 13/187,300.
- USPTO; Final Office Action dated Apr. 15, 2015 in U.S. Appl. No. 13/187,300.
- USPTO; Non-Final Office Action dated Apr. 7, 2016 in U.S. Appl. No. 13/187,300.
- USPTO; Final Office Action dated Sep. 23, 2016 in U.S. Appl. No. 13/187,300.
- USPTO; Non-Final Office Action dated Jan. 30, 2017 in U.S. Appl. No. 13/187,300.
- USPTO; Final Office Action dated Aug. 9, 2017 in U.S. Appl. No. 13/187,300.
- USPTO; Non-Final Office Action dated Oct. 1, 2012 in U.S. Appl. No. 13/191,762.
- USPTO; Final Office Action dated Apr. 10, 2013 in U.S. Appl. No. 13/191,762.
- USPTO; Notice of Allowance dated Aug. 15, 2013 in U.S. Appl. No. 13/191,762.
- USPTO; Non-Final Office Action dated Oct. 22, 2012 in U.S. Appl. No. 13/238,960.
- USPTO; Final Office Action dated May 3, 2013 in U.S. Appl. No. 13/238,960.
- USPTO; Non-Final Office Action dated Apr. 26, 2013 in U.S. Appl. No. 13/250,721.
- USPTO; Notice of Allowance dated Sep. 11, 2013 in U.S. Appl. No. 13/250,721.
- USPTO; Non-Final Office Action dated Jul. 2, 2014 in U.S. Appl. No. 13/283,408.
- USPTO; Final Office Action dated Jan. 29, 2015 in U.S. Appl. No. 13/283,408.
- USPTO; Non-Final Office Action dated Jun. 17, 2015 in U.S. Appl. No. 13/283,408.
- USPTO; Final Office Action dated Dec. 18, 2015 in U.S. Appl. No. 13/283,408.
- USPTO; Advisory Action dated Mar. 28, 2016 in U.S. Appl. No. 13/283,408.
- USPTO; Notice of Allowance dated Mar. 28, 2016 in U.S. Appl. No. 13/283,408.
- USPTO; Office Action dated Jul. 30, 2014 in U.S. Appl. No. 13/284,642.
- USPTO; Notice of Allowance dated Feb. 11, 2015 in U.S. Appl. No. 13/284,642.
- USPTO; Office Action dated Jan. 28, 2014 in U.S. Appl. No. 13/312,591.
- USPTO; Final Office Action dated May 14, 2014 in U.S. Appl. No. 13/312,591.
- USPTO; Advisory Action dated Aug. 26, 2014 in U.S. Appl. No. 13/312,591.
- USPTO; Non-Final Office Action dated Nov. 26, 2014 in U.S. Appl. No. 13/312,591.
- USPTO; Final Office Action dated Mar. 20, 2015 in U.S. Appl. No. 13/312,591.
- USPTO; Notice of Allowance dated May 14, 2015 in U.S. Appl. No. 13/312,591.
- USPTO; Notice of Allowance dated Jun. 11, 2015 in U.S. Appl. No. 13/312,591.
- USPTO; Non-Final Office Action dated Apr. 9, 2014 in U.S. Appl. No. 13/333,420.
- USPTO; Notice of Allowance dated Sep. 15, 2014 in U.S. Appl. No. 13/333,420.
- USPTO; Office Action dated Feb. 11, 2013 in U.S. Appl. No. 13/339,609.
- USPTO; Final Office Action dated May 17, 2013 in U.S. Appl. No. 13/339,609.
- USPTO; Office Action dated Aug. 29, 2013 in U.S. Appl. No. 13/339,609.
- USPTO; Final Office Action dated Dec. 18, 2013 in U.S. Appl. No. 13/339,609.
- USPTO; Notice of Allowance dated Apr. 7, 2014 in U.S. Appl. No. 13/339,609.
- USPTO; Non-Final Office Action dated Oct. 10, 2012 in U.S. Appl. No. 13/406,791.
- USPTO; Final Office Action dated Jan. 31, 2013 in U.S. Appl. No. 13/406,791.
- USPTO; Advisory Action dated Mar. 27, 2013 in U.S. Appl. No. 13/406,791.
- USPTO; Non-Final Office Action dated Apr. 25, 2013 in U.S. Appl. No. 13/406,791.
- USPTO; Final Office Action dated Aug. 23, 2013 in U.S. Appl. No. 13/406,791.
- USPTO; Advisory Action dated Oct. 29, 2013 in U.S. Appl. No. 13/406,791.
- USPTO; Non-Final Office Action dated Dec. 4, 2013 in U.S. Appl. No. 13/406,791.
- USPTO; Final Office Action dated Apr. 21, 2014 in U.S. Appl. No. 13/406,791.
- USPTO; Non-Final Office Action dated Jan. 14, 2013 in U.S. Appl. No. 13/410,970.
- USPTO; Notice of Allowance dated Feb. 14, 2013 in U.S. Appl. No. 13/410,970.
- USPTO; Non-Final Office Action dated Feb. 13, 2014 in U.S. Appl. No. 13/411,271.
- USPTO; Non-Final Office Action dated Jul. 31, 2014 in U.S. Appl. No. 13/411,271.
- USPTO; Advisory Action dated Apr. 22, 2015 in U.S. Appl. No. 13/411,271.
- USPTO; Final Office Action dated Jan. 16, 2015 in U.S. Appl. No. 13/411,271.
- USPTO; Notice of Allowance dated Oct. 6, 2015 in U.S. Appl. No. 13/411,271.
- USPTO; Office Action dated Feb. 4, 2014 in U.S. Appl. No. 13/439,528.
- USPTO; Final Office Action dated Jul. 8, 2014 in U.S. Appl. No. 13/439,528.
- USPTO; Notice of Allowance dated Oct. 21, 2014 in U.S. Appl. No. 13/439,528.
- USPTO; Non-Final Office Action dated Apr. 11, 2013 in U.S. Appl. No. 13/450,368.

(56)

References Cited

OTHER PUBLICATIONS

- USPTO; Notice of Allowance dated Jul. 17, 2013 in U.S. Appl. No. 13/450,368.
- USPTO; Office Action dated May 23, 2013 in U.S. Appl. No. 13/465,340.
- USPTO; Final Office Action dated Oct. 30, 2013 in U.S. Appl. No. 13/465,340.
- USPTO; Notice of Allowance dated Feb. 12, 2014 in U.S. Appl. No. 13/465,340.
- USPTO; Non-Final Office Action dated Oct. 17, 2013 in U.S. Appl. No. 13/493,897.
- USPTO; Notice of Allowance dated Mar. 20, 2014 in U.S. Appl. No. 13/493,897.
- USPTO; Office Action dated Dec. 20, 2013 in U.S. Appl. No. 13/535,214.
- USPTO; Final Office Action dated Jun. 18, 2014 in U.S. Appl. No. 13/535,214.
- USPTO; Notice of Allowance dated Oct. 23, 2014 in U.S. Appl. No. 13/535,214.
- USPTO; Non-Final Office Action dated Sep. 11, 2013 in U.S. Appl. No. 13/550,419.
- USPTO; Final Office Action dated Jan. 27, 2014 in U.S. Appl. No. 13/550,419.
- USPTO; Advisory Action dated Mar. 31, 2014 in U.S. Appl. No. 13/550,419.
- USPTO; Notice of Allowance dated May 29, 2014 in U.S. Appl. No. 13/550,419.
- USPTO; Non-Final Office Action dated Aug. 8, 2014 in U.S. Appl. No. 13/563,066.
- USPTO; Final Office Action dated Feb. 12, 2015 in U.S. Appl. No. 13/563,066.
- USPTO; Advisory Action dated Apr. 16, 2015 in U.S. Appl. No. 13/563,066.
- USPTO; Notice of Allowance dated Jun. 12, 2015 in U.S. Appl. No. 13/563,066.
- USPTO; Notice of Allowance dated Jul. 16, 2015 in U.S. Appl. No. 13/563,066.
- USPTO; Non-Final Office Action dated May 28, 2013 in U.S. Appl. No. 13/563,274.
- USPTO; Notice of Allowance dated Sep. 27, 2013 in U.S. Appl. No. 13/563,274.
- USPTO; Non-Final Office Action dated Nov. 7, 2013 in U.S. Appl. No. 13/565,564.
- USPTO; Final Office Action dated Feb. 28, 2014 in U.S. Appl. No. 13/565,564.
- USPTO; Advisory Action dated May 5, 2014 in U.S. Appl. No. 13/565,564.
- USPTO; Non-Final Office Action dated Jul. 2, 2014 in U.S. Appl. No. 13/565,564.
- USPTO; Notice of Allowance dated Nov. 3, 2014 in U.S. Appl. No. 13/565,564.
- USPTO; Notice of Allowance dated Sep. 13, 2013 in U.S. Appl. No. 13/566,069.
- USPTO; Non-Final Office Action dated Aug. 30, 2013 in U.S. Appl. No. 13/570,067.
- USPTO; Notice of Allowance dated Jan. 6, 2014 in U.S. Appl. No. 13/570,067.
- USPTO; Non-Final Office Action dated Oct. 15, 2014 in U.S. Appl. No. 13/597,043.
- USPTO; Final Office Action dated Mar. 13, 2015 in U.S. Appl. No. 13/597,043.
- USPTO; Notice of Allowance dated Aug. 28, 2015 in U.S. Appl. No. 13/597,043.
- USPTO; Non-Final Office Action dated Feb. 12, 2015 in U.S. Appl. No. 13/597,108.
- USPTO; Final Office Action dated Jun. 1, 2015 in U.S. Appl. No. 13/597,108.
- USPTO; Advisory Action dated Sep. 2, 2015 in U.S. Appl. No. 13/597,108.
- USPTO; Non-Final Office Action dated Dec. 8, 2015 in U.S. Appl. No. 13/597,108.
- USPTO; Final Office Action dated Jun. 2, 2016 in U.S. Appl. No. 13/597,108.
- USPTO; Non-Final Office Action dated Sep. 15, 2016 in U.S. Appl. No. 13/597,108.
- USPTO; Notice of Allowance dated Mar. 7, 2017 in U.S. Appl. No. 13/597,108.
- USPTO; Notice of Allowance dated Mar. 27, 2014 in U.S. Appl. No. 13/604,498.
- USPTO; Office Action dated Nov. 15, 2013 in U.S. Appl. No. 13/612,538.
- USPTO; Office Action dated Jul. 10, 2014 in U.S. Appl. No. 13/612,538.
- USPTO; Notice of Allowance dated Feb. 25, 2015 in U.S. Appl. No. 13/612,538.
- USPTO; Non-Final Office Action dated Apr. 15, 2015 in U.S. Appl. No. 13/646,403.
- USPTO; Final Office Action dated Oct. 15, 2015 in U.S. Appl. No. 13/646,403.
- USPTO; Notice of Allowance dated Feb. 2, 2016 in U.S. Appl. No. 13/646,403.
- USPTO; Non-Final Office Action dated May 15, 2014 in U.S. Appl. No. 13/646,471.
- USPTO; Final Office Action dated Aug. 18, 2014 in U.S. Appl. No. 13/646,471.
- USPTO; Advisory Action dated Nov. 14, 2014 in U.S. Appl. No. 13/646,471.
- USPTO; Non-Final Office Action dated Dec. 16, 2014 in U.S. Appl. No. 13/646,471.
- USPTO; Final Office Action dated Apr. 21, 2015 in U.S. Appl. No. 13/646,471.
- USPTO; Non-Final Office Action dated Aug. 19, 2015 in U.S. Appl. No. 13/646,471.
- USPTO; Final Office Action dated Jan. 22, 2016 in U.S. Appl. No. 13/646,471.
- USPTO; Advisory Action dated Apr. 15, 2016 in U.S. Appl. No. 13/646,471.
- USPTO; Non-Final Office Action dated Jun. 2, 2016 in U.S. Appl. No. 13/646,471.
- USPTO; Final Office Action dated Oct. 20, 2016 in U.S. Appl. No. 13/646,471.
- USPTO; Non-Final Office Action dated May 28, 2015 in U.S. Appl. No. 13/651,144.
- USPTO; Final Office Action dated Dec. 14, 2017 in U.S. Appl. No. 13/651,144.
- USPTO; Final Office Action dated Nov. 19, 2015 in U.S. Appl. No. 13/651,144.
- USPTO; Non-Final Office Action dated May 10, 2016 in U.S. Appl. No. 13/651,144.
- USPTO; Final Office Action dated Sep. 20, 2016 in U.S. Appl. No. 13/651,144.
- USPTO; Non-Final Office Action dated May 17, 2017 in U.S. Appl. No. 13/651,144.
- USPTO; Non-Final Office Action dated Dec. 14, 2017 in U.S. Appl. No. 13/651,144.
- USPTO; Advisory Action dated Apr. 19, 2018 in U.S. Appl. No. 13/651,144.
- USPTO; Non-Final Office Action dated Sep. 20, 2018 in U.S. Appl. No. 13/651,144.
- USPTO; Final Office Action dated Mar. 15, 2019 in U.S. Appl. No. 13/651,144.
- USPTO; Non-Final Office Action dated Nov. 19, 2015 in U.S. Appl. No. 14/659,437.
- USPTO; Final Office Action dated Mar. 17, 2016 in U.S. Appl. No. 14/659,437.
- USPTO; Notice of Allowance dated May 31, 2016 in U.S. Appl. No. 14/659,437.
- USPTO; Non-Final Office Action dated Jun. 18, 2015 in U.S. Appl. No. 13/665,366.
- USPTO; Final Office Action dated Mar. 1, 2016 in U.S. Appl. No. 13/665,366.

(56)

References Cited

OTHER PUBLICATIONS

- USPTO; Advisory Action dated May 13, 2016 in U.S. Appl. No. 13/665,366.
- USPTO; Non-Final Office Action dated Jun. 17, 2016 in U.S. Appl. No. 13/665,366.
- USPTO; Final Office Action dated May 3, 2017 in U.S. Appl. No. 13/665,366.
- USPTO; Non-Final Office Action dated Apr. 3, 2015 in U.S. Appl. No. 13/677,133.
- USPTO; Notice of Allowance dated Aug. 4, 2015 in U.S. Appl. No. 13/677,133.
- USPTO; Notice of Allowance dated Aug. 24, 2015 in U.S. Appl. No. 13/677,133.
- USPTO; Office Action dated Jun. 2, 2014 in U.S. Appl. No. 13/677,151.
- USPTO; Final Office Action dated Nov. 14, 2014 in U.S. Appl. No. 13/677,151.
- USPTO; Notice of Allowance dated Feb. 26, 2015 in U.S. Appl. No. 13/677,151.
- USPTO; Notice of Allowance dated Mar. 17, 2015 in U.S. Appl. No. 13/677,151.
- USPTO; Non-Final Office Action dated Aug. 20, 2013 in U.S. Appl. No. 13/679,502.
- USPTO; Final Office Action dated Feb. 25, 2014 in U.S. Appl. No. 13/679,502.
- USPTO; Notice of Allowance dated May 2, 2014 in U.S. Appl. No. 13/679,502.
- USPTO; Non-Final Office Action dated Jul. 21, 2015 in U.S. Appl. No. 13/727,324.
- USPTO; Final Office Action dated Jan. 22, 2016 in U.S. Appl. No. 13/727,324.
- USPTO; Advisory Action dated Apr. 6, 2016 in U.S. Appl. No. 13/727,324.
- USPTO; Non-Final Office Action dated May 25, 2016 in U.S. Appl. No. 13/727,324.
- USPTO; Final Office Action dated Dec. 1, 2016 in U.S. Appl. No. 13/727,324.
- USPTO; Notice of Allowance dated Mar. 1, 2017 in U.S. Appl. No. 13/727,324.
- USPTO; Non-Final Office Action dated Oct. 24, 2013 in U.S. Appl. No. 13/749,878.
- USPTO; Non-Final Office Action dated Jun. 18, 2014 in U.S. Appl. No. 13/749,878.
- USPTO; Final Office Action dated Dec. 10, 2014 in U.S. Appl. No. 13/749,878.
- USPTO; Notice of Allowance Mar. 13, 2015 dated in U.S. Appl. No. 13/749,878.
- USPTO; Non-Final Office Action dated Sep. 16, 2013 in U.S. Appl. No. 13/760,160.
- USPTO; Final Office Action dated Dec. 27, 2013 in U.S. Appl. No. 13/760,160.
- USPTO; Non-Final Office Action dated Jun. 4, 2014 in U.S. Appl. No. 13/760,160.
- USPTO; Final Office Action dated Sep. 25, 2014 in U.S. Appl. No. 13/760,160.
- USPTO; Final Office Action dated Jan. 28, 2015 in U.S. Appl. No. 13/760,160.
- USPTO; Final Office Action dated May 12, 2015 in U.S. Appl. No. 13/760,160.
- USPTO; Notice of Allowance dated Oct. 21, 2015 in U.S. Appl. No. 13/760,160.
- USPTO; Notice of Allowance dated Jan. 20, 2016 in U.S. Appl. No. 13/760,160.
- USPTO; Office Action dated Apr. 23, 2014 in U.S. Appl. No. 13/784,362.
- USPTO; Notice of Allowance dated Aug. 13, 2014 in U.S. Appl. No. 13/784,362.
- USPTO; Non-Final Office Action dated Dec. 19, 2013 in U.S. Appl. No. 13/784,388.
- USPTO; Notice of Allowance dated Jun. 4, 2014 in U.S. Appl. No. 13/784,388.
- USPTO; Non-Final Office Action dated Sep. 19, 2014 in U.S. Appl. No. 13/791,246.
- USPTO; Final Office Action dated Mar. 25, 2015 in U.S. Appl. No. 13/791,246.
- USPTO; Non-Final Office Action dated Oct. 26, 2015 in U.S. Appl. No. 13/791,246.
- USPTO; Final Office Action dated Apr. 20, 2016 in U.S. Appl. No. 13/791,246.
- USPTO; Advisory Action dated Jul. 13, 2016 in U.S. Appl. No. 13/791,246.
- USPTO; Non-Final Office Action dated Aug. 11, 2016 in U.S. Appl. No. 13/791,246.
- USPTO; Notice of Allowance dated Oct. 19, 2016 in U.S. Appl. No. 13/791,246.
- USPTO; Notice of Allowance dated Nov. 25, 2016 in U.S. Appl. No. 13/791,246.
- USPTO; Non-Final Office Action dated Nov. 6, 2015 in U.S. Appl. No. 13/791,339.
- USPTO; Final Office Action dated Apr. 12, 2016 in U.S. Appl. No. 13/791,339.
- USPTO; Advisory Action dated Jul. 14, 2016 in U.S. Appl. No. 13/791,339.
- USPTO; Notice of Allowance dated Aug. 24, 2016 in U.S. Appl. No. 13/791,339.
- USPTO; Non-Final Office Action dated Mar. 21, 2014 in U.S. Appl. No. 13/799,708.
- USPTO; Notice of Allowance dated Oct. 31, 2014 in U.S. Appl. No. 13/799,708.
- USPTO; Non-Final Office Action dated Sep. 1, 2016 in U.S. Appl. No. 14/827,177.
- USPTO; Non-Final Office Action dated Oct. 9, 2014 in U.S. Appl. No. 13/874,708.
- USPTO; Notice of Allowance dated Mar. 10, 2015 in U.S. Appl. No. 13/874,708.
- USPTO; Notice of Allowance dated Apr. 10, 2014 in U.S. Appl. No. 13/901,341.
- USPTO; Notice of Allowance dated Jun. 6, 2014 in U.S. Appl. No. 13/901,341.
- USPTO; Non-Final Office Action dated Jan. 2, 2015 in U.S. Appl. No. 13/901,372.
- USPTO; Final Office Action dated Apr. 16, 2015 in U.S. Appl. No. 13/901,372.
- USPTO; Notice of Allowance dated Aug. 5, 2015 in U.S. Appl. No. 13/901,372.
- USPTO; Advisory Action dated Jun. 29, 2015 in U.S. Appl. No. 13/901,372.
- USPTO; Non-Final Office Action dated Jul. 8, 2015 in U.S. Appl. No. 13/901,400.
- USPTO; Final Office Action dated Jan. 14, 2016 in U.S. Appl. No. 13/901,400.
- USPTO; Notice of Allowance dated Apr. 12, 2016 in U.S. Appl. No. 13/901,400.
- USPTO; Non-Final Office Action dated Apr. 24, 2014 in U.S. Appl. No. 13/912,666.
- USPTO; Final Office Action dated Sep. 25, 2014 in U.S. Appl. No. 13/912,666.
- USPTO; Advisory Action dated Dec. 11, 2014 in U.S. Appl. No. 13/912,666.
- USPTO; Non-Final Office Action dated Jan. 26, 2015 in U.S. Appl. No. 13/912,666.
- USPTO; Notice of Allowance dated Jun. 25, 2015 in U.S. Appl. No. 13/912,666.
- USPTO; Non-Final Office Action dated Dec. 16, 2014 in U.S. Appl. No. 13/915,732.
- USPTO; Final Office Action dated Apr. 10, 2015 in U.S. Appl. No. 13/915,732.
- USPTO; Notice of Allowance dated Jun. 19, 2015 in U.S. Appl. No. 13/915,732.
- USPTO; Notice of Allowance dated Mar. 17, 2015 in U.S. Appl. No. 13/923,197.

(56)

References Cited

OTHER PUBLICATIONS

- USPTO; Non-Final Office Action dated Sep. 12, 2014 in U.S. Appl. No. 13/941,134.
- USPTO; Notice of Allowance dated Jan. 20, 2015 in U.S. Appl. No. 13/941,134.
- USPTO; Non-Final Office Action dated Jul. 30, 2015 in U.S. Appl. No. 13/941,216.
- USPTO; Final Office Action dated Mar. 1, 2016 in U.S. Appl. No. 13/941,216.
- USPTO; Non-Final Office Action dated Jun. 15, 2016 in U.S. Appl. No. 13/941,216.
- USPTO; Notice of Allowance dated Sep. 13, 2016 in U.S. Appl. No. 13/941,216.
- USPTO; Notice of Allowance dated Nov. 14, 2016 in U.S. Appl. No. 13/941,216.
- USPTO; Non-Final Office Action dated Jan. 14, 2014 in U.S. Appl. No. 13/941,226.
- USPTO; Non-Final Office Action dated Jul. 8, 2014 in U.S. Appl. No. 13/941,226.
- USPTO; Non-Final Office Action dated Feb. 3, 2015 in U.S. Appl. No. 13/941,226.
- USPTO; Final Office Action dated Feb. 12, 2016 in U.S. Appl. No. 13/941,226.
- USPTO; Advisory Action dated Jul. 29, 2016 in U.S. Appl. No. 13/941,226.
- USPTO; Non-Final Office Action dated Aug. 8, 2017 in U.S. Appl. No. 13/941,226.
- USPTO; Notice of Allowance dated Aug. 13, 2018 in U.S. Appl. No. 13/941,226.
- USPTO; Notice of Allowance dated Oct. 3, 2018 in U.S. Appl. No. 13/941,226.
- USPTO; Non-Final Office Action dated Oct. 30, 2014 in U.S. Appl. No. 13/948,055.
- USPTO; Notice of Allowance dated Feb. 27, 2015 in U.S. Appl. No. 13/948,055.
- USPTO; Notice of Allowance dated Mar. 31, 2015 in U.S. Appl. No. 13/948,055.
- USPTO; Non-Final Office Action dated Jun. 29, 2015 in U.S. Appl. No. 13/966,782.
- USPTO; Final Office Action dated Jan. 4, 2016 in U.S. Appl. No. 13/966,782.
- USPTO; Notice of Allowance dated Mar. 21, 2016 in U.S. Appl. No. 13/966,782.
- USPTO; Notice of Allowance dated Oct. 7, 2015 in U.S. Appl. No. 13/973,777.
- USPTO; Non-Final Office Action dated Feb. 20, 2015 in U.S. Appl. No. 14/018,231.
- USPTO; Notice of Allowance dated Jul. 20, 2015 in U.S. Appl. No. 14/018,231.
- USPTO; Non-Final Office Action dated Apr. 7, 2015 in U.S. Appl. No. 14/018,345.
- USPTO; Final Office Action dated Sep. 14, 2015 in U.S. Appl. No. 14/018,345.
- USPTO; Notice of Allowance dated Jan. 14, 2016 in U.S. Appl. No. 14/018,345.
- USPTO; Notice of Allowance dated Mar. 17, 2016 in U.S. Appl. No. 14/018,345.
- USPTO; Non-Final Office Action dated Mar. 26, 2015 in U.S. Appl. No. 14/031,982.
- USPTO; Final Office Action dated Aug. 28, 2015 in U.S. Appl. No. 14/031,982.
- USPTO; Notice of Allowance dated Nov. 17, 2015 in U.S. Appl. No. 14/031,982.
- USPTO; Non-Final Office Action dated Jan. 2, 2015 in U.S. Appl. No. 14/040,196.
- USPTO; Non-Final Office Action dated Apr. 28, 2015 in U.S. Appl. No. 14/040,196.
- USPTO; Notice of Allowance dated Sep. 11, 2015 in U.S. Appl. No. 14/040,196.
- USPTO; Non-Final Action dated Dec. 3, 2015 in U.S. Appl. No. 14/050,150.
- USPTO; Final Office Action dated Jun. 15, 2016 in U.S. Appl. No. 14/050,150.
- USPTO; Final Office Action dated Jul. 8, 2016 in U.S. Appl. No. 14/050,150.
- USPTO; Notice of Allowance dated Oct. 20, 2016 in U.S. Appl. No. 14/050,150.
- USPTO; Non-Final Office Action dated Dec. 15, 2014 in U.S. Appl. No. 14/065,114.
- USPTO; Final Office Action dated Jun. 19, 2015 in U.S. Appl. No. 14/065,114.
- USPTO; Advisory Action dated Aug. 24, 2015 in U.S. Appl. No. 14/065,114.
- USPTO; Non-Final Office Action dated Oct. 7, 2015 in U.S. Appl. No. 14/065,114.
- USPTO; Notice of Allowance dated Feb. 22, 2016 in U.S. Appl. No. 14/065,114.
- USPTO; Non-Final Office Action dated Nov. 14, 2014 in U.S. Appl. No. 14/069,244.
- USPTO; Notice of Allowance dated Mar. 25, 2015 in U.S. Appl. No. 14/069,244.
- USPTO; Non-Final Office Action dated Mar. 19, 2015 in U.S. Appl. No. 14/079,302.
- USPTO; Final Office Action dated Sep. 1, 2015 in U.S. Appl. No. 14/079,302.
- USPTO; Non-Final Office Action dated Dec. 23, 2015 in U.S. Appl. No. 14/079,302.
- USPTO; Non-Final Office Action dated Apr. 27, 2016 in U.S. Appl. No. 14/079,302.
- USPTO; Final Office Action dated Aug. 22, 2016 in U.S. Appl. No. 14/079,302.
- USPTO; Notice of Allowance dated Dec. 14, 2016 in U.S. Appl. No. 14/079,302.
- USPTO; Non-Final Office Action dated Sep. 9, 2015 in U.S. Appl. No. 14/090,750.
- USPTO; Final Office Action dated Feb. 11, 2016 in U.S. Appl. No. 14/090,750.
- USPTO; Advisory Action dated May 5, 2016 in U.S. Appl. No. 14/090,750.
- USPTO; Non-Final Office Action dated Jun. 14, 2016 in U.S. Appl. No. 14/090,750.
- USPTO; Advisory Action dated Dec. 21, 2016 in U.S. Appl. No. 14/090,750.
- USPTO; Advisory Action dated Jan. 30, 2018 in U.S. Appl. No. 14/090,750.
- USPTO; Final Office Action dated Sep. 28, 2016 in U.S. Appl. No. 14/090,750.
- USPTO; Non-Final Office Action dated Jun. 23, 2017 in U.S. Appl. No. 14/090,750.
- USPTO; Final Office Action dated Nov. 17, 2017 in U.S. Appl. No. 14/090,750.
- USPTO; Non-Final Office Action dated Mar. 12, 2018 in U.S. Appl. No. 14/090,750.
- USPTO; Notice of Allowance dated Aug. 29, 2018 in U.S. Appl. No. 14/090,750.
- USPTO; Non-Final Office Action dated Mar. 19, 2015 in U.S. Appl. No. 14/166,462.
- USPTO; Notice of Allowance dated Sep. 3, 2015 in U.S. Appl. No. 14/166,462.
- USPTO; Non-Final Office Action dated Nov. 17, 2015 in U.S. Appl. No. 14/172,220.
- USPTO; Office Action dated May 29, 2014 in U.S. Appl. No. 14/183,187.
- USPTO; Final Office Action dated Nov. 7, 2014 in U.S. Appl. No. 14/183,187.
- USPTO; Advisory Action dated Feb. 20, 2015 in U.S. Appl. No. 14/183,187.
- USPTO; Non-Final Office Action dated Mar. 16, 2015 in U.S. Appl. No. 14/183,187.
- USPTO; Final Office Action dated Jul. 10, 2015 in U.S. Appl. No. 14/183,187.

(56)

References Cited

OTHER PUBLICATIONS

- USPTO; Notice of Allowance dated Aug. 31, 2015 in U.S. Appl. No. 14/183,187.
- USPTO; Non-Final Office Action dated Jan. 11, 2016 in U.S. Appl. No. 14/188,760.
- USPTO; Final Office Action dated Aug. 25, 2016 in U.S. Appl. No. 14/188,760.
- USPTO; Advisory Action dated Jan. 12, 2017 in U.S. Appl. No. 14/188,760.
- USPTO; Non-Final Office Action dated Mar. 23, 2017 in U.S. Appl. No. 14/188,760.
- USPTO; Final Office Action dated Oct. 5, 2017 in U.S. Appl. No. 14/188,760.
- USPTO; Advisory Action dated Jan. 3, 2018 in U.S. Appl. No. 14/188,760.
- USPTO; Non-Final Office Action dated Apr. 18, 2018 in U.S. Appl. No. 14/188,760.
- USPTO; Final Office Action dated Jan. 25, 2019 in U.S. Appl. No. 14/188,760.
- USPTO; Non-Final Office Action dated Oct. 8, 2015 in U.S. Appl. No. 14/218,374.
- USPTO; Final Office Action dated Feb. 23, 2016 in U.S. Appl. No. 14/218,374.
- USPTO; Advisory Action dated Apr. 29, 2016 in U.S. Appl. No. 14/218,374.
- USPTO; Notice of Allowance dated Aug. 5, 2016 in U.S. Appl. No. 14/218,374.
- USPTO; Non-Final Office Action dated Jul. 15, 2016 in U.S. Appl. No. 14/218,690.
- USPTO; Final Office Action dated Nov. 14, 2016 in U.S. Appl. No. 14/218,690.
- USPTO; Non-Final Office Action dated Apr. 6, 2017 in U.S. Appl. No. 14/218,690.
- USPTO; Final Office Action dated Jul. 20, 2017 in U.S. Appl. No. 14/218,690.
- USPTO; Non-Final Office Action dated Jan. 11, 2018 in U.S. Appl. No. 14/218,690.
- USPTO; Final Office Action dated May 24, 2018 in U.S. Appl. No. 14/218,690.
- USPTO; Notice of Allowance dated Sep. 24, 2018 in U.S. Appl. No. 14/218,690.
- USPTO; Non-Final Office Action dated Sep. 22, 2015 in U.S. Appl. No. 14/219,839.
- USPTO; Final Office Action dated Mar. 25, 2016 in U.S. Appl. No. 14/219,839.
- USPTO; Non-Final Office Action dated Dec. 22, 2016 in U.S. Appl. No. 14/219,839.
- USPTO; Advisory Action dated Jun. 30, 2016 in U.S. Appl. No. 14/219,839.
- USPTO; Final Office Action dated Jul. 6, 2017 in U.S. Appl. No. 14/219,839.
- USPTO; Non-Final Office Action dated Mar. 27, 2018 in U.S. Appl. No. 14/219,839.
- USPTO; Final Office Action dated Nov. 1, 2018 in U.S. Appl. No. 14/219,839.
- USPTO; Non-Final Office Action dated Jul. 15, 2019 in U.S. Appl. No. 14/219,839.
- USPTO; Non-Final Office Action dated Nov. 25, 2015 in U.S. Appl. No. 14/219,879.
- USPTO; Final Office action dated May 19, 2016 in U.S. Appl. No. 14/219,879.
- USPTO; Advisory Action dated Aug. 22, 2016 in U.S. Appl. No. 14/219,879.
- USPTO; Non-Final Office Action dated Dec. 23, 2016 in U.S. Appl. No. 14/219,879.
- USPTO; Final Office action dated Jul. 6, 2017 in U.S. Appl. No. 14/219,879.
- USPTO; Advisory Action dated Oct. 5, 2017 in U.S. Appl. No. 14/219,879.
- USPTO; Non-Final Office Action dated Apr. 6, 2018 in U.S. Appl. No. 14/219,879.
- USPTO; Final Office Action dated Nov. 2, 2018 in U.S. Appl. No. 14/219,879.
- USPTO; Advisory Action dated Jan. 22, 2019 in U.S. Appl. No. 14/219,879.
- USPTO; Non-Final Office Action dated Jun. 24, 2019 in U.S. Appl. No. 14/219,879.
- USPTO; Non-Final Office Action dated Sep. 18, 2015 in U.S. Appl. No. 14/244,689.
- USPTO; Notice of Allowance dated Feb. 11, 2016 in U.S. Appl. No. 14/244,689.
- USPTO; Non-Final Office Action dated Oct. 7, 2015 in U.S. Appl. No. 14/246,969.
- USPTO; Final Office Action dated May 4, 2016 in U.S. Appl. No. 14/246,969.
- USPTO; Advisory Action dated Aug. 2, 2016 in U.S. Appl. No. 14/246,969.
- USPTO; Non-Final Office Action dated Aug. 12, 2016 in U.S. Appl. No. 14/246,969.
- USPTO; Notice of Allowance dated Feb. 27, 2017 in U.S. Appl. No. 14/246,969.
- USPTO; Non-Final Office Action dated Nov. 20, 2015 in U.S. Appl. No. 14/260,701.
- USPTO; Notice of Allowance dated Jun. 2, 2016 in U.S. Appl. No. 14/260,701.
- USPTO; Notice of Allowance dated Feb. 23, 2016 in U.S. Appl. No. 14/327,134.
- USPTO; Non-Final Office Action dated Aug. 19, 2015 in U.S. Appl. No. 14/268,348.
- USPTO; Non-Final Office Action dated Jan. 6, 2016 in U.S. Appl. No. 14/268,348.
- USPTO; Final Office Action dated Apr. 29, 2016 in U.S. Appl. No. 14/268,348.
- USPTO; Notice of Allowance dated Aug. 30, 2016 in U.S. Appl. No. 14/268,348.
- USPTO; Non-Final Office Action dated Oct. 20, 2015 in U.S. Appl. No. 14/281,477.
- USPTO; Advisory Action dated Mar. 28, 2016 in U.S. Appl. No. 14/281,477.
- USPTO; Non-Final Office Action dated Jan. 13, 2017 in U.S. Appl. No. 14/444,744.
- USPTO; Final Office Action dated Jul. 10, 2017 in U.S. Appl. No. 14/444,744.
- USPTO; Non-Final Office Action dated Nov. 29, 2017 in U.S. Appl. No. 14/444,744.
- USPTO; Final Office Action dated Mar. 28, 2018 in U.S. Appl. No. 14/444,744.
- USPTO; Non-Final Office Action dated Jul. 27, 2018 in U.S. Appl. No. 14/444,744.
- USPTO; Final Office Action dated Feb. 7, 2019 in U.S. Appl. No. 14/444,744.
- USPTO; Non-Final Office Action dated May 18, 2016 in U.S. Appl. No. 14/449,838.
- USPTO; Notice of Allowance dated Nov. 28, 2016 in U.S. Appl. No. 14/449,838.
- USPTO; Non-Final Office Action dated Feb. 12, 2015 in U.S. Appl. No. 14/457,058.
- USPTO; Final Office Action dated Jul. 14, 2015 in U.S. Appl. No. 14/457,058.
- USPTO; Non-Final Office Action dated Nov. 6, 2015 in U.S. Appl. No. 14/457,058.
- USPTO; Final Office Acton dated Jun. 17, 2016 in U.S. Appl. No. 14/457,058.
- USPTO; Advisory Action dated Sep. 21, 2016 in U.S. Appl. No. 14/457,058.
- USPTO; Non-Final Office Action dated Oct. 6, 2016 in U.S. Appl. No. 14/457,058.
- USPTO; Final Office Acton dated May 4, 2017 in U.S. Appl. No. 14/457,058.
- USPTO; Non-Final Office Action dated Oct. 19, 2017 in U.S. Appl. No. 14/457,058.

(56)

References Cited

OTHER PUBLICATIONS

- USPTO; Final Office Action dated Jun. 14, 2018 in U.S. Appl. No. 14/457,058.
- USPTO; Non-Final Office Action dated Jan. 11, 2019 in U.S. Appl. No. 14/457,058.
- USPTO; Final Office Action dated Jun. 25, 2019 in U.S. Appl. No. 14/457,058.
- USPTO; Non-Final Office Action dated Sep. 16, 2016 in U.S. Appl. No. 14/465,252.
- USPTO; Final Office Action dated Nov. 1, 2016 in U.S. Appl. No. 14/465,252.
- USPTO; Non-Final Office Action dated Mar. 6, 2017 in U.S. Appl. No. 14/465,252.
- USPTO; Final Office Action dated Jun. 9, 2017 in U.S. Appl. No. 14/465,252.
- USPTO; Notice of Allowance dated Oct. 3, 2017 in U.S. Appl. No. 14/465,252.
- USPTO; Non-Final Office Action dated May 31, 2018 in U.S. Appl. No. 15/491,726.
- USPTO; Non-Final Office Action dated Nov. 24, 2015 in U.S. Appl. No. 14/498,036.
- USPTO; Final Office Action dated Apr. 5, 2016 in U.S. Appl. No. 14/498,036.
- USPTO; Advisory Action dated Jun. 16, 2016 in U.S. Appl. No. 14/498,036.
- USPTO; Notice of Allowance dated Aug. 17, 2016 in U.S. Appl. No. 14/498,036.
- USPTO; Non-Final Office Action dated Apr. 10, 2015 in U.S. Appl. No. 14/505,290.
- USPTO; Notice of Allowance dated Aug. 21, 2015 in U.S. Appl. No. 14/505,290.
- USPTO; Non-Final Office Action dated Dec. 17, 2015 in U.S. Appl. No. 14/508,296.
- USPTO; Final Office Action dated May 26, 2016 in U.S. Appl. No. 14/508,296.
- USPTO; Advisory Action dated Aug. 17, 2016 in U.S. Appl. No. 14/508,296.
- USPTO; Non-Final Office Action dated Sep. 8, 2016 in U.S. Appl. No. 14/508,296.
- USPTO; Final Office Action dated Dec. 7, 2016 in U.S. Appl. No. 14/508,296.
- USPTO; Notice of Allowance dated Jan. 27, 2017 in U.S. Appl. No. 14/508,296.
- USPTO; Non-Final Office Action dated Apr. 6, 2017 in U.S. Appl. No. 14/508,489.
- USPTO; Final Office Action dated Oct. 4, 2017 in U.S. Appl. No. 14/508,489.
- USPTO; Non-Final Office Action dated May 15, 2018 in U.S. Appl. No. 14/508,489.
- USPTO; Final Office Action dated Nov. 28, 2018 in U.S. Appl. No. 14/508,489.
- USPTO; Non-Final Office Action dated Apr. 4, 2019 in U.S. Appl. No. 14/508,489.
- USPTO; Non-Final Office Action dated Jan. 16, 2015 in U.S. Appl. No. 14/563,044.
- USPTO; Final Office Action dated Jul. 16, 2015 in U.S. Appl. No. 14/563,044.
- USPTO; Notice of Allowance dated Oct. 15, 2015 in U.S. Appl. No. 14/563,044.
- USPTO; Notice of Allowance dated Dec. 2, 2015 in U.S. Appl. No. 14/563,044.
- USPTO; Non-Final Office Action dated May 4, 2016 in U.S. Appl. No. 14/568,647.
- USPTO; Final Office Action dated Sep. 29, 2016 in U.S. Appl. No. 14/568,647.
- USPTO; Advisory Action dated Dec. 21, 2016 in U.S. Appl. No. 14/568,647.
- USPTO; Non-Final Office Action dated Feb. 2, 2017 in U.S. Appl. No. 14/568,647.
- USPTO; Final Office Action dated May 19, 2017 in U.S. Appl. No. 14/568,647.
- USPTO; Non-Final Office Action dated Sep. 14, 2017 in U.S. Appl. No. 14/568,647.
- USPTO; Final Office Action dated Jan. 23, 2018 in U.S. Appl. No. 14/568,647.
- USPTO; Advisory Action dated Apr. 12, 2018 in U.S. Appl. No. 14/568,647.
- USPTO; Non-Final Office Action dated May 25, 2018 in U.S. Appl. No. 14/568,647.
- USPTO; Non-Final Office Action dated Oct. 1, 2015 in U.S. Appl. No. 14/571,126.
- USPTO; Final Office Action dated Feb. 22, 2016 in U.S. Appl. No. 14/571,126.
- USPTO; Notice of Allowance dated May 18, 2016 in U.S. Appl. No. 14/571,126.
- USPTO; Notice of Allowance dated Jun. 2, 2016 in U.S. Appl. No. 14/571,126.
- USPTO; Non-Final Office Action dated Nov. 25, 2015 in U.S. Appl. No. 14/598,532.
- USPTO; Notice of Allowance dated May 16, 2016 in U.S. Appl. No. 14/598,532.
- USPTO; Non-Final Office Action dated Jan. 15, 2016 in U.S. Appl. No. 14/606,364.
- USPTO; Final Office Action dated Jun. 14, 2016 in U.S. Appl. No. 14/606,364.
- USPTO; Advisory Action dated Aug. 25, 2016 in U.S. Appl. No. 14/606,364.
- USPTO; Non-Final Office Action dated Sep. 27, 2016 in U.S. Appl. No. 14/606,354.
- USPTO; Final Office Action dated Jan. 12, 2017 in U.S. Appl. No. 14/606,364.
- USPTO; Non-Final Office Action dated May 10, 2017 in U.S. Appl. No. 14/606,364.
- USPTO; Non-Final Office Action dated Mar. 3, 2016 in U.S. Appl. No. 14/622,603.
- USPTO; Notice of Allowance dated Aug. 2, 2016 in U.S. Appl. No. 14/622,603.
- USPTO; Notice of Allowance dated Feb. 16, 2016 in U.S. Appl. No. 14/634,342.
- USPTO; Non-Final Office Action dated Oct. 19, 2017 in U.S. Appl. No. 14/645,234.
- USPTO; Non-Final Office Action dated May 16, 2018 in U.S. Appl. No. 14/645,234.
- USPTO; Final Office Action dated Aug. 10, 2018 in U.S. Appl. No. 14/645,234.
- USPTO; Non-Final Office Action dated Jun. 7, 2017 in U.S. Appl. No. 14/656,588.
- USPTO; Final Office Action dated Dec. 26, 2017 in U.S. Appl. No. 14/656,588.
- USPTO; Non-Final Office Action dated Apr. 6, 2018 in U.S. Appl. No. 14/656,588.
- USPTO; Notice of Allowance dated Nov. 19, 2018 in U.S. Appl. No. 14/656,588.
- USPTO; Non-Final Office Action dated Mar. 21, 2016 in U.S. Appl. No. 14/659,152.
- USPTO; Final Office Action dated Jul. 29, 2016 in U.S. Appl. No. 14/659,152.
- USPTO; Notice of Allowance dated Nov. 22, 2016 in U.S. Appl. No. 14/659,152.
- USPTO; Non-Final Office Action dated Sep. 7, 2017 in U.S. Appl. No. 14/660,755.
- USPTO; Notice of Allowance dated Oct. 2, 2017 in U.S. Appl. No. 14/660,755.
- USPTO; Notice of Allowance dated Mar. 25, 2016 in U.S. Appl. No. 14/693,138.
- USPTO; Non-Final Office Action dated Aug. 3, 2017 in U.S. Appl. No. 14/752,712.
- USPTO; Final Office Action dated Nov. 29, 2017 in U.S. Appl. No. 14/752,712.
- USPTO; Advisory Action dated Feb. 15, 2018 in U.S. Appl. No. 14/752,712.

(56)

References Cited

OTHER PUBLICATIONS

- USPTO; Non-Final Office Action dated Mar. 21, 2018 in U.S. Appl. No. 14/752,712.
- USPTO; Final Office Action dated Sep. 5, 2018 in U.S. Appl. No. 14/752,712.
- USPTO; Non-Final Office Action dated Dec. 28, 2018 in U.S. Appl. No. 14/752,712.
- USPTO; Notice of Allowance dated Jun. 11, 2019 in U.S. Appl. No. 14/752,712.
- USPTO; Non-Final Office Action dated Nov. 29, 2017 in U.S. Appl. No. 14/793,323.
- USPTO; Final Office Action dated Mar. 29, 2018 in U.S. Appl. No. 14/793,323.
- USPTO; Non-Final Office Action dated Aug. 10, 2018 in U.S. Appl. No. 14/793,323.
- USPTO; Final Office Action dated Feb. 25, 2019 in U.S. Appl. No. 14/793,323.
- USPTO; Non-Final Office Action dated Jun. 27, 2019 in U.S. Appl. No. 14/793,323.
- USPTO; Non-Final Office Action dated Jun. 16, 2017 in U.S. Appl. No. 14/798,136.
- USPTO; Notice of Allowance dated Oct. 5, 2017 in U.S. Appl. No. 14/798,136.
- USPTO; Non-Final Office Action dated Mar. 30, 2016 in U.S. Appl. No. 14/808,979.
- USPTO; Final Office Action dated Sep. 30, 2016 in U.S. Appl. No. 14/808,979.
- USPTO; Non-Final Office Action dated Dec. 20, 2016 in U.S. Appl. No. 14/808,979.
- USPTO; Final Office Action dated Jun. 8, 2017 in U.S. Appl. No. 14/808,979.
- USPTO; Non-Final Office Action dated Sep. 21, 2017 in U.S. Appl. No. 14/808,979.
- USPTO; Final Office Action dated Mar. 14, 2018 in U.S. Appl. No. 14/808,979.
- USPTO; Notice of Allowance dated Jun. 27, 2018 in U.S. Appl. No. 14/808,979.
- USPTO; Non-Final Office Action dated Feb. 23, 2018 in U.S. Appl. No. 14/817,953.
- USPTO; Notice of Allowance dated Jul. 11, 2018 in U.S. Appl. No. 14/817,953.
- USPTO; Notice of Allowance dated Jan. 27, 2017 in U.S. Appl. No. 14/827,177.
- USPTO; Non-Final Office Action dated Sep. 9, 2016 in U.S. Appl. No. 14/829,565.
- USPTO; Final Office Action dated Feb. 9, 2017 in U.S. Appl. No. 14/829,565.
- USPTO; Advisory Action dated Apr. 20, 2017 in U.S. Appl. No. 14/829,565.
- USPTO; Non-Final Office Action dated Sep. 19, 2017 in U.S. Appl. No. 14/829,565.
- USPTO; Final Office Action dated Mar. 5, 2018 in U.S. Appl. No. 14/829,565.
- USPTO; Advisory Action dated Aug. 10, 2018 in U.S. Appl. No. 14/829,565.
- USPTO; Non-Final Office Action dated Sep. 6, 2018 in U.S. Appl. No. 14/829,565.
- USPTO; Final Office Action dated Apr. 18, 2019 in U.S. Appl. No. 14/829,565.
- USPTO; Advisory Action dated Jul. 22, 2019 in U.S. Appl. No. 14/829,565.
- USPTO; Non-Final Office Action dated Apr. 29, 2016 in U.S. Appl. No. 14/835,637.
- USPTO; Final Office Action dated Nov. 25, 2016 in U.S. Appl. No. 14/835,637.
- USPTO; Advisory Action dated Feb. 14, 2017 in U.S. Appl. No. 14/835,637.
- USPTO; Notice of Allowance dated Apr. 25, 2017 in U.S. Appl. No. 14/835,637.
- USPTO; Non-Final Office Action dated Jul. 29, 2016 in U.S. Appl. No. 14/884,695.
- USPTO; Final Office Action dated Feb. 9, 2017 in U.S. Appl. No. 14/884,695.
- USPTO; Advisory Action dated Apr. 20, 2017 in U.S. Appl. No. 14/884,695.
- USPTO; Non-Final Office Action dated May 18, 2017 in U.S. Appl. No. 14/884,695.
- USPTO; Notice of Allowance dated Oct. 20, 2017 in U.S. Appl. No. 14/884,695.
- USPTO; Non-Final Office Action dated May 18, 2017 in U.S. Appl. No. 14/886,571.
- USPTO; Final Office Action dated Sep. 21, 2017 in U.S. Appl. No. 14/886,571.
- USPTO; Notice of Allowance dated Dec. 6, 2017 in U.S. Appl. No. 14/886,571.
- USPTO; Non-Final Office Action dated Dec. 1, 2016 in U.S. Appl. No. 14/919,536.
- USPTO; Final Office Action dated Mar. 28, 2017 in U.S. Appl. No. 14/919,536.
- USPTO; Non-Final Office Action dated Aug. 29, 2017 in U.S. Appl. No. 14/919,536.
- USPTO; Final Office Action dated May 11, 2018 in U.S. Appl. No. 14/919,536.
- USPTO; Notice of Allowance dated Oct. 4, 2018 in U.S. Appl. No. 14/919,536.
- USPTO; Notice of Allowance dated Nov. 19, 2018 in U.S. Appl. No. 14/919,536.
- USPTO; Non-Final Office Action dated May 3, 2016 in U.S. Appl. No. 14/937,053.
- USPTO; Notice of Allowance dated Jul. 26, 2016 in U.S. Appl. No. 14/937,053.
- USPTO; Non-Final Office Action dated Dec. 15, 2016 in U.S. Appl. No. 14/938,180.
- USPTO; Notice of Allowance dated Nov. 9, 2017 in U.S. Appl. No. 14/938,180.
- USPTO; Non-Final Office Action dated Apr. 14, 2017 in U.S. Appl. No. 14/956,115.
- USPTO; Final Office Action dated Jul. 21, 2017 in U.S. Appl. No. 14/956,115.
- USPTO; Notice of Allowance dated Dec. 14, 2017 in U.S. Appl. No. 14/956,115.
- USPTO; Notice of Allowance dated Feb. 3, 2017 in U.S. Appl. No. 14/977,291.
- USPTO; Non-Final Office Action dated Aug. 12, 2016 in U.S. Appl. No. 14/981,434.
- USPTO; Notice of Allowance dated Nov. 21, 2016 in U.S. Appl. No. 14/981,434.
- USPTO; Non-Final Office Action dated Jan. 12, 2017 in U.S. Appl. No. 14/981,468.
- USPTO; Notice of Allowance dated Jun. 7, 2017 in U.S. Appl. No. 14/981,468.
- USPTO; Non-Final Office Action dated Mar. 22, 2016 in U.S. Appl. No. 14/987,420.
- USPTO; Non-Final Office Action dated Dec. 14, 2016 in U.S. Appl. No. 14/997,683.
- USPTO; Final Office Action dated Apr. 14, 2017 in U.S. Appl. No. 14/997,683.
- USPTO; Non-Final Office Action dated Sep. 1, 2017 in U.S. Appl. No. 14/997,683.
- USPTO; Final Office Action dated Feb. 6, 2018 in U.S. Appl. No. 14/997,683.
- USPTO; Advisory Action dated May 2, 2018 in U.S. Appl. No. 14/997,683.
- USPTO; Non-Final Office Action dated Jun. 20, 2018 in U.S. Appl. No. 14/997,683.
- USPTO; Final Office Action dated Dec. 10, 2018 in U.S. Appl. No. 14/997,683.
- USPTO; Notice of Allowance dated Mar. 25, 2019 in U.S. Appl. No. 14/997,683.
- USPTO; Non-Final Office Action dated Sep. 23, 2016 in U.S. Appl. No. 15/048,422.

(56)

References Cited

OTHER PUBLICATIONS

- USPTO; Notice of Allowance dated May 4, 2017 in U.S. Appl. No. 15/048,422.
- USPTO; Non-Final Office Action dated Aug. 4, 2017 in U.S. Appl. No. 15/050,159.
- USPTO; Notice of Allowance dated Feb. 7, 2018 in U.S. Appl. No. 15/050,159.
- USPTO; Non-Final Office Action dated Apr. 22, 2016 in U.S. Appl. No. 15/055,122.
- USPTO; Notice of Allowance dated Sep. 15, 2016 in U.S. Appl. No. 15/055,122.
- USPTO; Non-Final Office Action dated Feb. 20, 2018 in U.S. Appl. No. 15/060,412.
- USPTO; Final Office Action dated Oct. 19, 2018 in U.S. Appl. No. 15/060,412.
- USPTO; Non-Final Office Action dated Jun. 3, 2019 in U.S. Appl. No. 15/060,412.
- USPTO; Non-Final Office Action dated Aug. 27, 2018 in U.S. Appl. No. 15/067,028.
- USPTO; Notice of Allowance dated Dec. 21, 2018 in U.S. Appl. No. 15/067,028.
- USPTO; Non-Final Office Action dated Sep. 26, 2018 in U.S. Appl. No. 15/074,813.
- USPTO; Notice of Allowance dated Feb. 25, 2019 in U.S. Appl. No. 15/074,813.
- USPTO; Non-Final Office Action dated Jan. 9, 2018 in U.S. Appl. No. 15/135,224.
- USPTO; Notice of Allowance dated Jun. 29, 2018 in U.S. Appl. No. 15/135,224.
- USPTO; Non-Final Office Action dated Jan. 9, 2018 in U.S. Appl. No. 15/135,258.
- USPTO; Final Office Action dated Jul. 6, 2018 in U.S. Appl. No. 15/135,258.
- USPTO; Non-Final Office Action dated Nov. 23, 2018 in U.S. Appl. No. 15/135,258.
- USPTO; Final Office Action dated Mar. 14, 2019 in U.S. Appl. No. 15/135,258.
- USPTO; Non-Final Office Action dated Jul. 19, 2019 in U.S. Appl. No. 15/135,258.
- USPTO; Non-Final Office Action dated Jan. 9, 2018 in U.S. Appl. No. 15/135,333.
- USPTO; Notice of Allowance dated Sep. 14, 2018 in U.S. Appl. No. 15/135,333.
- USPTO; Non-Final Office Action dated Nov. 21, 2016 in U.S. Appl. No. 15/144,481.
- USPTO; Final Office Action dated May 26, 2017 in U.S. Appl. No. 15/144,481.
- USPTO; Non-Final Office Action dated Sep. 21, 2017 in U.S. Appl. No. 15/144,481.
- USPTO; Notice of Allowance dated Apr. 11, 2018 in U.S. Appl. No. 15/144,481.
- USPTO; Non-Final Office Action dated Apr. 13, 2017 in U.S. Appl. No. 15/144,506.
- USPTO; Final Office Action dated Oct. 10, 2017 in U.S. Appl. No. 15/144,506.
- USPTO; Final Office Action dated Jul. 26, 2018 in U.S. Appl. No. 15/144,506.
- USPTO; Notice of Allowance dated Mar. 13, 2019 in U.S. Appl. No. 15/144,506.
- USPTO; Non-Final Office Action dated Oct. 9, 2018 in U.S. Appl. No. 15/182,504.
- USPTO; Final Office Action dated Mar. 28, 2019 in U.S. Appl. No. 15/182,504.
- USPTO; Notice of Allowance dated Jul. 17, 2019 in U.S. Appl. No. 15/182,504.
- USPTO; Non-Final Office Action dated Nov. 28, 2016 in U.S. Appl. No. 15/203,632.
- USPTO; Final Office Action dated Jun. 7, 2017 in U.S. Appl. No. 15/203,632.
- USPTO; Advisory Action dated Aug. 23, 2017 in U.S. Appl. No. 15/203,632.
- USPTO; Notice of Allowance dated Sep. 20, 2017 in U.S. Appl. No. 15/203,632.
- USPTO; Non-Final Office Action dated Nov. 29, 2016 in U.S. Appl. No. 15/203,642.
- USPTO; Final Office Action dated Apr. 13, 2017 in U.S. Appl. No. 15/203,642.
- USPTO; Advisory Action dated Jun. 22, 2017 in U.S. Appl. No. 15/203,642.
- USPTO; Notice of Allowance dated Aug. 7, 2017 in U.S. Appl. No. 15/203,642.
- USPTO; Non-Final Office Action dated Jun. 1, 2017 in U.S. Appl. No. 15/205,827.
- USPTO; Final Office Action dated Oct. 16, 2017 in U.S. Appl. No. 15/205,827.
- USPTO; Non-Final Office Action dated May 14, 2018 in U.S. Appl. No. 15/205,827.
- USPTO; Final Office Action dated Oct. 9, 2018 in U.S. Appl. No. 15/205,827.
- USPTO; Non-Final Office Action dated Mar. 28, 2019 in U.S. Appl. No. 15/205,827.
- USPTO; Non-Final Office Action dated Mar. 31, 2017 in U.S. Appl. No. 15/205,890.
- USPTO; Notice of Allowance dated Oct. 16, 2017 in U.S. Appl. No. 15/205,890.
- USPTO; Non-Final Office Action dated Jan. 20, 2017 in U.S. Appl. No. 15/210,256.
- USPTO; Notice of Allowance dated May 18, 2017 in U.S. Appl. No. 15/210,256.
- USPTO; Notice of Allowance dated Jul. 24, 2017 in U.S. Appl. No. 15/210,256.
- USPTO; Non-Final Office Action dated Apr. 21, 2017 in U.S. Appl. No. 15/222,715.
- USPTO; Notice of Allowance dated Jul. 14, 2017 in U.S. Appl. No. 15/222,715.
- USPTO; Notice of Allowance dated Sep. 27, 2017 in U.S. Appl. No. 15/222,715.
- USPTO; Non-Final Office Action dated Feb. 3, 2017 in U.S. Appl. No. 15/222,738.
- USPTO; Notice of Allowance dated Feb. 3, 2017 in U.S. Appl. No. 15/222,738.
- USPTO; Notice of Allowance dated May 22, 2017 in U.S. Appl. No. 15/222,738.
- USPTO; Notice of Allowance dated Aug. 23, 2017 in U.S. Appl. No. 15/222,738.
- USPTO; Non-Final Office Action dated Jan. 17, 2017 in U.S. Appl. No. 15/222,749.
- USPTO; Final Office Action dated May 5, 2017 in U.S. Appl. No. 15/222,749.
- USPTO; Non-Final Office Action dated Sep. 7, 2017 in U.S. Appl. No. 15/222,749.
- USPTO; Final Office Action dated Jun. 4, 2018 in U.S. Appl. No. 15/222,749.
- USPTO; Notice of Allowance dated Aug. 30, 2018 in U.S. Appl. No. 15/222,749.
- USPTO; Non-Final Office Action dated Jan. 3, 2017 in U.S. Appl. No. 15/222,780.
- USPTO; Final Office Action dated May 5, 2017 in U.S. Appl. No. 15/222,780.
- USPTO; Non-Final Office Action dated Sep. 7, 2017 in U.S. Appl. No. 15/222,780.
- USPTO; Final Office Action dated May 17, 2018 in U.S. Appl. No. 15/222,780.
- USPTO; Non-Final Office Action dated Oct. 1, 2018 in U.S. Appl. No. 15/222,780.
- USPTO; Notice of Allowance dated Apr. 19, 2019 in U.S. Appl. No. 15/222,780.
- USPTO; Notice of Allowance dated Jul. 12, 2018 in U.S. Appl. No. 15/254,605.
- USPTO; Non-Final Office Action dated Aug. 28, 2017 in U.S. Appl. No. 15/254,724.

(56)

References Cited

OTHER PUBLICATIONS

- USPTO; Notice of Allowance dated Jan. 17, 2018 in U.S. Appl. No. 15/254,724.
- USPTO; Notice of Allowance dated Apr. 2, 2018 in U.S. Appl. No. 15/254,724.
- USPTO; Non-Final Office Action dated May 22, 2018 in U.S. Appl. No. 15/262,990.
- USPTO; Non-Final Office Action dated Sep. 13, 2018 in U.S. Appl. No. 15/262,990.
- USPTO; Non-Final Office Action dated Jan. 30, 2019 in U.S. Appl. No. 15/262,990.
- USPTO; Final Office Action dated May 13, 2019 in U.S. Appl. No. 15/262,990.
- USPTO; Advisory Action dated Jul. 22, 2019 in U.S. Appl. No. 15/262,990.
- USPTO; Non-Final Office Action dated Aug. 3, 2018 in U.S. Appl. No. 15/273,488.
- USPTO; Final Office Action dated Jan. 11, 2019 in U.S. Appl. No. 15/273,488.
- USPTO; Notice of Allowance dated Apr. 19, 2019 in U.S. Appl. No. 15/273,488.
- USPTO; Non-Final Office Action dated Jul. 2, 2018 in U.S. Appl. No. 15/286,503.
- USPTO; Final Office Action dated Feb. 7, 2019 in U.S. Appl. No. 15/286,503.
- USPTO; Non-Final Office Action dated Jun. 27, 2019 in U.S. Appl. No. 15/286,503.
- USPTO; Non-Final Office Action dated Dec. 14, 2018 in U.S. Appl. No. 15/340,512.
- USPTO; Notice of Allowance dated May 24, 2019 in U.S. Appl. No. 15/340,512.
- USPTO; Non-Final Office Action dated Oct. 23, 2017 in U.S. Appl. No. 15/377,439.
- USPTO; Final Office Action dated Apr. 16, 2018 in U.S. Appl. No. 15/377,439.
- USPTO; Advisory Action dated Aug. 8, 2018 in U.S. Appl. No. 15/377,439.
- USPTO; Non-Final Office Action dated Nov. 14, 2018 in U.S. Appl. No. 15/377,439.
- USPTO; Final Office Action dated Jun. 25, 2019 in U.S. Appl. No. 15/377,439.
- USPTO; Notice of Allowance dated Aug. 8, 2017 in U.S. Appl. No. 15/380,895.
- USPTO; Notice of Allowance dated Oct. 11, 2017 in U.S. Appl. No. 15/380,895.
- USPTO; Non-Final Office Action dated May 31, 2019 in U.S. Appl. No. 15/380,909.
- USPTO; Non-Final Office Action dated Jan. 4, 2018 in U.S. Appl. No. 15/380,921.
- USPTO; Final Office Action dated Jun. 28, 2018 in U.S. Appl. No. 15/380,921.
- USPTO; Non-Final Office Action dated Feb. 25, 2019 in U.S. Appl. No. 15/380,921.
- USPTO; Non-Final Office Action dated Oct. 3, 2017 in U.S. Appl. No. 15/388,410.
- USPTO; Final Office Action dated May 15, 2018 in U.S. Appl. No. 15/388,410.
- USPTO; Notice of Allowance dated Nov. 14, 2018 in U.S. Appl. No. 15/388,410.
- USPTO; Notice of Allowance dated Dec. 28, 2018 in U.S. Appl. No. 15/388,410.
- USPTO; Non-Final Office Action dated Aug. 11, 2017 in U.S. Appl. No. 15/397,237.
- USPTO; Notice of Allowance dated Dec. 22, 2017 in U.S. Appl. No. 15/397,237.
- USPTO; Non-Final Office Action dated Apr. 12, 2017 in U.S. Appl. No. 15/397,319.
- USPTO; Final Office Action dated Jul. 12, 2017 in U.S. Appl. No. 15/397,319.
- USPTO; Notice of Allowance dated Dec. 15, 2017 in U.S. Appl. No. 15/397,319.
- USPTO; Non-Final Office Action dated Feb. 5, 2019 in U.S. Appl. No. 15/402,993.
- USPTO; Final Office Action dated May 21, 2019 in U.S. Appl. No. 15/402,993.
- USPTO; Non-Final Office Action dated Sep. 20, 2018 in U.S. Appl. No. 15/410,503.
- USPTO; Final Office Action dated Feb. 4, 2019 in U.S. Appl. No. 15/410,503.
- USPTO; Non-Final Office Action dated Apr. 25, 2019 in U.S. Appl. No. 15/410,503.
- USPTO; Non-Final Office Action dated Aug. 7, 2018 in U.S. Appl. No. 15/428,808.
- USPTO; Final Office Action dated Jan. 11, 2019 in U.S. Appl. No. 15/428,808.
- USPTO; Notice of Allowance dated Apr. 25, 2019 in U.S. Appl. No. 15/428,808.
- USPTO; Non-Final Office Action dated Apr. 6, 2018 in U.S. Appl. No. 15/434,051.
- USPTO; Final Office Action dated Aug. 29, 2018 in U.S. Appl. No. 15/434,051.
- USPTO; Advisory Action dated Dec. 4, 2018 in U.S. Appl. No. 15/434,051.
- USPTO; Non-Final Office Action dated Jan. 25, 2019 in U.S. Appl. No. 15/434,051.
- USPTO; Notice of Allowance dated Jun. 3, 2019 in U.S. Appl. No. 15/434,051.
- USPTO; Notice of Allowance dated Oct. 6, 2017 in U.S. Appl. No. 15/450,199.
- USPTO; Non-Final Office Action dated Dec. 15, 2017 in U.S. Appl. No. 15/466,149.
- USPTO; Notice of Allowance dated Apr. 20, 2018 in U.S. Appl. No. 15/466,149.
- USPTO; Non-Final Office Action dated Apr. 6, 2018 in U.S. Appl. No. 15/472,750.
- USPTO; Notice of Allowance dated Nov. 30, 2018 in U.S. Appl. No. 15/472,750.
- USPTO; Non-Final Office Action dated Oct. 4, 2017 in U.S. Appl. No. 15/489,453.
- USPTO; Final Office Action dated Apr. 19, 2018 in U.S. Appl. No. 15/489,453.
- USPTO; Non-Final Office Action dated Sep. 10, 2018 in U.S. Appl. No. 15/489,453.
- USPTO; Final Office Action dated Feb. 27, 2019 in U.S. Appl. No. 15/489,453.
- USPTO; Non-Final Office Action dated Jun. 5, 2019 in U.S. Appl. No. 15/489,453.
- USPTO; Notice of Allowance dated Dec. 19, 2017 in U.S. Appl. No. 15/489,660.
- USPTO; Non-Final Office Action dated Dec. 6, 2017 in U.S. Appl. No. 15/476,035.
- USPTO; Notice of Allowance dated Mar. 21, 2018 in U.S. Appl. No. 15/476,035.
- USPTO; Notice of Allowance dated Aug. 14, 2018 in U.S. Appl. No. 15/476,035.
- USPTO; Final Office Action dated May 1, 2019 in U.S. Appl. No. 15/491,726.
- USPTO; Non-Final Office Action dated Jan. 16, 2018 in U.S. Appl. No. 15/499,647.
- USPTO; Notice of Allowance dated May 23, 2018 in U.S. Appl. No. 15/499,647.
- USPTO; Non-Final Office Action dated Jun. 21, 2018 in U.S. Appl. No. 15/499,647.
- USPTO; Notice of Allowance dated Nov. 1, 2018 in U.S. Appl. No. 15/499,647.
- USPTO; Notice of Allowance dated Nov. 15, 2018 in U.S. Appl. No. 15/499,647.
- USPTO; Office Action dated Aug. 30, 2018 in U.S. Appl. No. 15/589,849.
- USPTO; Final Office Action dated Mar. 6, 2019 in U.S. Appl. No. 15/589,849.

(56)

References Cited

OTHER PUBLICATIONS

- USPTO; Non-Final Office Action dated Jun. 28, 2019 in U.S. Appl. No. 15/589,849.
- USPTO; Office Action dated May 3, 2018 in U.S. Appl. No. 15/589,861.
- USPTO; Non-Final Office Action dated Dec. 21, 2018 in U.S. Appl. No. 15/589,861.
- USPTO; Final Office Action dated Jun. 26, 2019 in U.S. Appl. No. 15/589,861.
- USPTO; Non-Final Office Action dated Apr. 4, 2018 in U.S. Appl. No. 15/592,730.
- USPTO; Final Office Action dated Nov. 16, 2018 in U.S. Appl. No. 15/592,730.
- USPTO; Advisory Action dated Mar. 15, 2019 in U.S. Appl. No. 15/592,730.
- USPTO; Non-Final Office Action dated Mar. 7, 2019 in U.S. Appl. No. 15/598,169.
- USPTO; Final Office Action dated Jun. 25, 2019 in U.S. Appl. No. 15/598,169.
- USPTO; Ex Parte Quayle Action dated Mar. 21, 2019 in U.S. Appl. No. 15/615,489.
- USPTO; Non-Final Office Action dated Feb. 1, 2019 in U.S. Appl. No. 15/627,189.
- USPTO; Notice of Allowance dated May 21, 2019 in U.S. Appl. No. 15/627,189.
- USPTO; Non-Final Office Action dated Nov. 9, 2018 in U.S. Appl. No. 15/636,307.
- USPTO; Final Office Action dated Mar. 6, 2019 in U.S. Appl. No. 15/636,307.
- USPTO; Non-Final Office Action dated Jul. 16, 2019 in U.S. Appl. No. 15/636,307.
- USPTO; Notice of Allowance dated Jul. 18, 2018 in U.S. Appl. No. 15/640,239.
- USPTO; Notice of Allowance dated Aug. 30, 2018 in U.S. Appl. No. 15/640,239.
- USPTO; Non-Final Office Action dated Jun. 5, 2018 in U.S. Appl. No. 15/650,686.
- USPTO; Final Office Action dated Nov. 20, 2018 in U.S. Appl. No. 15/650,686.
- USPTO; Notice of Allowance dated Jun. 24, 2019 in U.S. Appl. No. 15/650,686.
- USPTO; Non-Final Office Action dated Sep. 21, 2018 in U.S. Appl. No. 15/659,631.
- USPTO; Notice of Allowance dated Feb. 21, 2019 in U.S. Appl. No. 15/659,631.
- USPTO; Non-Final Office Action dated Aug. 9, 2018 in U.S. Appl. No. 15/660,805.
- USPTO; Non-Final Office Action dated Mar. 1, 2019 in U.S. Appl. No. 15/660,805.
- USPTO; Non-Final Office Action dated Aug. 27, 2018 in U.S. Appl. No. 15/662,107.
- USPTO; Notice of Allowance dated Feb. 21, 2019 in U.S. Appl. No. 15/662,107.
- USPTO; Non-Final Office Action dated Dec. 4, 2018 in U.S. Appl. No. 15/672,063.
- USPTO; Notice of Allowance dated Mar. 20, 2019 in U.S. Appl. No. 15/672,063.
- USPTO; Non-Final Office Action dated Feb. 8, 2019 in U.S. Appl. No. 15/672,119.
- USPTO; Final Office Action dated Jul. 16, 2019 in U.S. Appl. No. 15/672,119.
- USPTO; Non-Final Office Action dated Jul. 27, 2018 in U.S. Appl. No. 15/673,110.
- USPTO; Notice of Allowance dated Jan. 9, 2019 in U.S. Appl. No. 15/673,110.
- USPTO; Non-Final Office Action dated Apr. 25, 2018 in U.S. Appl. No. 15/673,278.
- USPTO; Notice of Allowance dated May 6, 2019 in U.S. Appl. No. 15/673,278.
- USPTO; Non-Final Office Action dated Jan. 18, 2018 in U.S. Appl. No. 15/683,701.
- USPTO; Notice of Allowance dated Jan. 9, 2019 in U.S. Appl. No. 15/683,701.
- USPTO; Final Office Action dated Aug. 24, 2018 in U.S. Appl. No. 15/683,701.
- USPTO; Advisory Action dated Nov. 26, 2018 in U.S. Appl. No. 15/683,701.
- USPTO; Non-Final Office Action dated Dec. 18, 2018 in U.S. Appl. No. 15/690,017.
- USPTO; Non-Final Office Action dated Aug. 9, 2018 in U.S. Appl. No. 15/691,241.
- USPTO; Non-Final Office Action dated Mar. 19, 2019 in U.S. Appl. No. 15/691,241.
- USPTO; Final Office Action dated Jan. 11, 2019 in U.S. Appl. No. 15/691,241.
- USPTO; Non-Final Office Action dated Dec. 6, 2018 in U.S. Appl. No. 15/705,955.
- USPTO; Notice of Allowance dated Apr. 16, 2019 in U.S. Appl. No. 15/705,955.
- USPTO; Non-Final Office Action dated Feb. 11, 2019 in U.S. Appl. No. 15/707,786.
- USPTO; Non-Final Office Action dated Jun. 14, 2018 in U.S. Appl. No. 15/711,989.
- USPTO; Notice of Allowance dated Dec. 6, 2018 in U.S. Appl. No. 15/711,989.
- USPTO; Non-Final Office Action dated May 29, 2018 in U.S. Appl. No. 15/719,208.
- USPTO; Final Office Action dated Dec. 13, 2018 in U.S. Appl. No. 15/719,208.
- USPTO; Non-Final Office Action dated Jun. 25, 2019 in U.S. Appl. No. 15/719,208.
- USPTO; Non-Final Office Action dated Oct. 4, 2018 in U.S. Appl. No. 15/726,222.
- USPTO; Notice of Allowance dated Apr. 19, 2019 in U.S. Appl. No. 15/726,222.
- USPTO; Non-Final Office Action dated Apr. 19, 2018 in U.S. Appl. No. 15/726,959.
- USPTO; Final Office Action dated Nov. 14, 2018 in U.S. Appl. No. 15/726,959.
- USPTO; Non-Final Office Action dated May 17, 2018 in U.S. Appl. No. 15/729,485.
- USPTO; Notice of Allowance dated Jan. 23, 2019 in U.S. Appl. No. 15/729,485.
- USPTO; Non-Final Office Action dated Nov. 28, 2018 in U.S. Appl. No. 15/795,056.
- USPTO; Final Office Action dated Apr. 19, 2019 in U.S. Appl. No. 15/795,056.
- USPTO; Non-Final Office Action dated Jun. 26, 2018 in U.S. Appl. No. 15/796,593.
- USPTO; Final Office Action dated Feb. 21, 2019 in U.S. Appl. No. 15/796,593.
- USPTO; Non-Final Office Action dated Dec. 26, 2017 in U.S. Appl. No. 15/798,120.
- USPTO; Notice of Allowance dated Jun. 13, 2018 in U.S. Appl. No. 15/798,120.
- USPTO; Non-Final Office Action dated Dec. 21, 2018 in U.S. Appl. No. 15/798,150.
- USPTO; Notice of Allowance dated May 14, 2019 in U.S. Appl. No. 15/798,150.
- USPTO; Non-Final Office Action dated Aug. 9, 2018 in U.S. Appl. No. 15/798,201.
- USPTO; Final Office Action dated Dec. 14, 2018 in U.S. Appl. No. 15/798,201.
- USPTO; Non-Final Office Action dated Jul. 2, 2018 in U.S. Appl. No. 15/815,483.
- USPTO; Final Office Action dated Mar. 7, 2019 in U.S. Appl. No. 15/815,483.
- USPTO; Non-Final Office Action dated Sep. 26, 2018 in U.S. Appl. No. 15/832,188.
- USPTO; Notice of Allowance dated Dec. 5, 2017 in U.S. Appl. No. 15/832,188.

(56)

References Cited

OTHER PUBLICATIONS

- USPTO; Non-Final Office Action dated Sep. 10, 2018 in U.S. Appl. No. 15/836,547.
- USPTO; Non-Final Office Action dated Mar. 13, 2019 in U.S. Appl. No. 15/836,547.
- USPTO; Non-Final Office Action dated Jul. 23, 2018 in U.S. Appl. No. 15/863,340.
- USPTO; Notice of Allowance dated Dec. 10, 2018 in U.S. Appl. No. 15/863,340.
- USPTO; Non-Final Office Action dated Jan. 11, 2019 in U.S. Appl. No. 15/879,209.
- USPTO; Non-Final Office Action dated Jan. 22, 2019 in U.S. Appl. No. 15/879,209.
- USPTO; Non-Final Office Action dated Apr. 17, 2019 in U.S. Appl. No. 15/886,225.
- USPTO; Non-Final Office Action dated Nov. 15, 2018 in U.S. Appl. No. 15/890,037.
- USPTO; Final Office Action dated May 2, 2019 in U.S. Appl. No. 15/890,037.
- USPTO; Notice of Allowance dated Feb. 8, 2019 in U.S. Appl. No. 15/892,756.
- USPTO; Non-Final Office Action dated Apr. 24, 2019 in U.S. Appl. No. 15/896,986.
- USPTO; Non-Final Office Action dated May 30, 2019 in U.S. Appl. No. 15/900,425.
- USPTO; Non-Final Office Action dated Mar. 8, 2019 in U.S. Appl. No. 15/917,224.
- USPTO; Non-Final Office Action dated Feb. 8, 2019 in U.S. Appl. No. 15/917,262.
- USPTO; Final Office Action dated Jun. 14, 2019 in U.S. Appl. No. 15/917,262.
- USPTO; Non-Final Office Action dated May 8, 2019 in U.S. Appl. No. 15/925,532.
- USPTO; Non-Final Office Action dated Mar. 29, 2019 in U.S. Appl. No. 15/940,801.
- USPTO; Notice of Allowance dated May 31, 2019 in U.S. Appl. No. 15/957,565.
- USPTO; Non-Final Office Action dated Apr. 19, 2019 in U.S. Appl. No. 15/985,298.
- USPTO; Non-Final Office Action dated Feb. 21, 2019 in U.S. Appl. No. 15/987,755.
- USPTO; Non-Final Office Action dated Jul. 16, 2019 in U.S. Appl. No. 16/014,981.
- USPTO; Non-Final Office Action dated Jan. 24, 2019 in U.S. Appl. No. 16/018,692.
- USPTO; Notice of Allowance dated Apr. 9, 2019 in U.S. Appl. No. 16/026,711.
- USPTO; Non-Final Office Action dated Apr. 25, 2019 in U.S. Appl. No. 16/038,024.
- USPTO; Non-Final Office Action dated Apr. 2, 2019 in U.S. Appl. No. 16/147,047.
- USPTO; Notice of Allowance dated Apr. 17, 2019 in U.S. Appl. No. 16/171,098.
- USPTO; Notice of Allowance dated May 1, 2019 in U.S. Appl. No. 16/171,098.
- USPTO; Non-Final Office Action dated Apr. 2, 2019 in U.S. Appl. No. 16/188,690.
- USPTO; Notice of Allowance dated Jun. 13, 2019 in U.S. Appl. No. 16/396,475.
- USPTO; Notice of Allowance dated May 14, 2012 in U.S. Appl. No. 29/411,637.
- USPTO; Notice of Allowance dated Oct. 2, 2013 in U.S. Appl. No. 29/412,887.
- USPTO; Non-Final Office Action dated Mar. 16, 2015 in U.S. Appl. No. 29/447,298.
- USPTO; Notice of Allowance dated Jul. 6, 2015 in U.S. Appl. No. 29/447,298.
- USPTO; Notice of Allowance dated Dec. 19, 2013 in U.S. Appl. No. 29/448,094.
- USPTO; Notice of Allowance dated Nov. 26, 2014 in U.S. Appl. No. 29/481,301.
- USPTO; Notice of Allowance dated Feb. 17, 2015 in U.S. Appl. No. 29/481,308.
- USPTO; Notice of Allowance dated Jan. 12, 2015 in U.S. Appl. No. 29/481,312.
- USPTO; Notice of Allowance dated Apr. 30, 2015 in U.S. Appl. No. 29/481,315.
- USPTO; Notice of Allowance dated May 11, 2015 in U.S. Appl. No. 29/511,011.
- USPTO; Notice of Allowance dated May 11, 2015 in U.S. Appl. No. 29/514,153.
- USPTO; Notice of Allowance dated Dec. 14, 2015 in U.S. Appl. No. 29/514,264.
- USPTO; Notice of Allowance dated Jun. 16, 2017 in U.S. Appl. No. 29/570,711.
- USPTO; Non-Final Office Action dated Apr. 16, 2019 in U.S. Appl. No. 29/604,101.
- USPTO; Notice of Allowance dated Jun. 26, 2018 in U.S. Appl. No. 29/604,288.
- USPTO; Non-Final Office Action dated Feb. 20, 2019 in U.S. Appl. No. 29/646,377.
- WIPO; International Search Report and Written Opinion dated Nov. 16, 2017 in Application No. PCT/IB2017/001015.
- WIPO; International Search Report and Written Opinion dated Nov. 13, 2017 in Application No. PCT/IB2017/001050.
- WIPO; International Search Report and Written Opinion dated Nov. 30, 2017 in Application No. PCT/IB2017/001070.
- WIPO; International Search Report and Written Opinion dated Jan. 25, 2018 in Application No. PCT/IB2017/001262.
- WIPO; International Search Report and Written Opinion dated Sep. 14, 2018 in Application No. PCT/IB2017/001640.
- WIPO; International Search Report and Written Opinion dated Jun. 1, 2018 in Application No. PCT/IB2017/001644.
- WIPO; International Search Report and Written Opinion dated Nov. 6, 2018 in Application No. PCT/IB2017/001652.
- WIPO; International Search Report and Written Opinion dated Jun. 1, 2018 in Application No. PCT/IB2017/001656.
- WIPO; International Search Report and Written Opinion dated Jan. 25, 2019 in Application No. PCT/IB2018/000192.
- WIPO; International Search Report and Written Opinion dated Jul. 9, 2018 in Application No. PCT/IB2018/000419.
- WIPO; International Search Report and Written Opinion dated Jan. 4, 2019 in Application No. PCT/IB2018/000936.
- WIPO; International Search Report and Written Opinion dated Dec. 20, 2018 in Application No. PCT/IB2018/001003.
- WIPO; International Search Report and Written Opinion dated Dec. 20, 2018 in Application No. PCT/IB2018/001022.
- WIPO; International Search Report and Written Opinion dated May 23, 2019 in Application No. PCT/IB2019/050974.
- WIPO; International Preliminary Report on Patentability dated Nov. 24, 2009 and International Search Report dated Jul. 31, 2008 in Application No. PCT/US2008/063919.
- WIPO; International Preliminary Report on Patentability dated Feb. 24, 2010 in Application No. PCT/US2008/074063.
- WIPO; International Preliminary Report on Patentability dated Nov. 26, 2009 in Application No. PCT/US2009/043454.
- WIPO; International Preliminary Report on Patentability dated Jun. 14, 2011 in Application No. PCT/US2009/066377.
- WIPO; International Search report and Written Opinion dated Nov. 12, 2010 in Application No. PCT/US2010/030126.
- WIPO; International Preliminary Report on Patentability dated Oct. 11, 2011 in Application No. PCT/US2010/030126.
- WIPO; International Preliminary Report on Patentability dated Nov. 9, 2011 in Application No. PCT/US2010/033244.
- WIPO; International Preliminary Report on Patentability dated Nov. 9, 2011 in Application No. PCT/US2010/033248.
- WIPO; International Preliminary Report on Patentability dated Nov. 9, 2011 in Application No. PCT/US2010/033252.
- WIPO; International Search report and Written Opinion dated Jan. 20, 2011 in Application No. PCT/US2010/045368.
- WIPO; International Search report and Written Opinion dated Feb. 6, 2013 in Application No. PCT/US2012/065343.

(56)

References Cited

OTHER PUBLICATIONS

- WIPO; International Search report and Written Opinion dated Feb. 13, 2013 in Application No. PCT/US2012/065347.
- Arita et al. "Electrical and optical properties of germanium-doped zinc oxide thin films" *Materials Transactions*, vol. 45, No. 11, pp. 3180-3183 (2004).
- Arnold et al., "Novel single-layer vanadium sulphide phases" *2D Materials*, 5, 045009, 11 pages (2018).
- Athavale et al., "Realization of Atomic Layer Etching of Silicon", *Journal of Vacuum Science and Technology B*, vol. 14, pp. 3702-3705 (1996).
- Bearzotti, et al., "Fast Humidity Response of a Metal Halide-Doped Novel Polymer," *Sensors and Actuators B*, 7, pp. 451-454, (1992).
- Becker et al., "Atomic Layer Deposition of Insulating Hafnium and Zirconium Nitrides," *Chem. Mater.*, 16, 3497-3501 (2004).
- Beynet et al. "Low temperature plasma-enhanced ALD enables cost-effective spacer defined double patterning," *Proceedings of SPIE*, 7520, (2009).
- Bhatnagar et al., "Copper Interconnect Advances to Meet Moore's Law Milestones," *Solid State Technology*, 52, 10 (2009).
- Boscher et al., "Atmosphere Pressure Chemical Vapour Deposition of NbSe₂ Thin Films on Glass" *Eur. J. Inorg. Chem.*, pp. 1255-1259 (2006).
- Buriak, "Organometallic Chemistry on Silicon and Germanium Surfaces," *Chemical Reviews*, 102, 5 (2002).
- Cant et al., "Chemisorption Sites on Porous Silica Glass and on Mixed-Oxide Catalysis," *Can. J. Chem.* 46, 1373 (1968).
- Carmalt et al., "Chemical Vapor Deposition of Niobium Disulfide Thin Films" *Eur. J. Inorg. Chem.*, pp. 4470-4476 (2004).
- Casey et al. "Chemical Vapor Deposition of Mo onto Si" *J. Electrochem. Soc.: Solid State Science*, 114 (2), pp. 201-204 (1967).
- Chang et al. "Small-Subthreshold-Swing and Low-Voltage Flexible Organic Thin-Film Transistors Which Use HfLaO as the Gate Dielectric," *IEEE Electron Device Letters*, Feb. 2009, pp. 133-135; vol. 30, No. 2; *IEEE Electron Device Society*.
- Chatterjee et al., "Sub-100nm Gate Length Metal Gate NMOS Transistors Fabricated by a Replacement by a Replacement Gate Process," *IEEE Semiconductor Process and Device Center*, 821-824 (1997).
- Chen et al., "A Self-Aligned Airgap Interconnect Scheme," *IEEE International Interconnect Technology Conference*, vol. 1-3, 146-148 (2009).
- Chen et al., "Develop Gap-fill Process of Shallow Trench Isolation in 450mm Wafer by Advanced Flowable CVD Technology for Sub-20nm Node," 2016 27th Annual Semi Advanced Semiconductor Manufacturing Conference (ASMC), IEEE, May 16, 2016, pp. 157-159 (2016).
- Cheng et al., "Effect of carrier gas on the structure and electric properties of low dielectric constant SiCOH film using trimethylsilane prepared by plasma enhanced chemical vapor deposition," *Thin Solid Films* vol. 469-470, pp. 178-183 (2004).
- Choi et al., "Improvement of Silicon Direct Bonding using Surfaces Activated by Hydrogen Plasma Treatment," *Journal of the Korean Physical Society*, 37, 6, 878-881 (2000).
- Choi et al., "Low Temperature Formation of Silicon Oxide Thin Films by Atomic Layer Deposition Using NH₃/O₂ Plasma," *ECS Solid State Letters*, 2(12) P114-P116 (2013).
- Coates, "Process Analytical Technology: Spectroscopic Tools and Implementation Strategies for the Chemical and Pharmaceutical Industries." Blackwell Publishing Ltd, 91-132, (2005).
- Conroy et al., "The Preparation and Properties of Single Crystals of the 1S and 2S Polymorphs of Tantalum Disulfide" *J. Solid State Chemistry*, 4, pp. 345-350 (1972).
- Crowell, "Chemical methods of thin film deposition: Chemical vapor deposition, atomic layer deposition, and related technologies," *Journal of Vacuum Science & Technology A* 21.5, (2003): S88-S95.
- Cui et al., "Impact of Reductive N₂/H₂ Plasma on Porous Low-Dielectric Constant SiCOH Thin Films," *Journal of Applied Physics* 97, 113302, 1-8 (2005).
- De Silva et al., "Inorganic Hardmask Development For Extreme Ultraviolet Patterning," *Journal of Micro/Nanolithography, MEMS, and MOEMS* 18(1) (2018).
- Dingemans et al., "Comparison Between Aluminum Oxide Surface Passivation Films Deposited with Thermal Aid," *Plasma Aid and Pecvd*, 35th IEEE PVCS, Jun. (2010).
- Drummond et al., "Hydrophobic Radiofrequency Plasma-Deposited Polymer Films: Dielectric Properties and Surface Forces," *Colloids and Surfaces A*, 129-130, 117-129 (2006).
- Duffey et al., "Raman Scattering from 1T-TaS₂" *Solid State Communications* 20, pp. 617-621 (1976).
- Easley et al., "Thermal Isolation of Microchip Reaction Chambers for Rapid Non-Contact DNA Amplification," *J. Micromech. Microeng.* 17, 1758-1766 (2007).
- Elam et al., "New Insights into Sequential Infiltration Synthesis", *ECS Transactions*, vol. 69, pp. 147-157 (2015).
- Elers et al. "Film Uniformity in Atomic Layer Deposition," *Chemical Vapor Deposition*, 12, pp. 13-24 (2006).
- Fu et al., "Controlled Synthesis of Atomically Thin 1T-TaS₂ for Tunable Charge Density Wave Phase Transitions" *Chem. Mater.* 28, pp. 7613-7618 (2016).
- Ge et al., "Carbon Nanotube-Based Synthetic Gecko Tapes," *Department of Polymer Science, PNAS*, 10792-10795 (2007).
- George et al., "Atomic Layer Deposition: An Overview," *Chem. Rev.* 110, 111-131 (2010).
- Gesheva et al. "Composition and Microstructure of Black Molybdenum Photothermal Converter Layers Deposited by the Pyrolytic Hydrogen Reduction of MoO₂Cl₂" *Thin Solid Films*, 79, pp. 39-49 (1981).
- Gole et al. "Preparation of Nickel Sulfide Thin Films and Nanocrystallites Using Nickel Furfuraldehyde Thiosemicarbazone as Single-source Precursor," *Advanced Materials Research*, vols. 383-390, pp. 3828-3834 (2012).
- Grill et al., "The Effect of Plasma Chemistry on the Damage Induced Porous SiCOH Dielectrics," *IBM Research Division, RC23683 (W0508-008), Materials Science*, 1-19 (2005).
- Guan et al., "Voltage gated ion and molecule transport in engineered nanochannels: theory, fabrication and applications," *Nanotechnology* 25 (2014) 122001.
- Gupta et al., "Charge carrier transport and electroluminescence in atomic layer deposited poly-GaN/c-Si heterojunction diodes," *Journal of Applied Physics*, 124, 084503 (2018).
- Gupta et al., "Conversion of Metal Carbides to Carbide Derived Carbon by Reactive Ion Etching in Halogen Gas," *Proceedings of SPIE—The International Society for Optical Engineering and Nanotechnologies for Space Applications*, ISSN: 0277-786X (2006).
- Habib et al. "Atmospheric oxygen plasma activation of silicon (100) surfaces," *American Vacuum Society*, 28(3), pp. 476-485 (2010).
- Han et al., "van der Waals Metallic Transition Metal Dichalcogenides" *Chem. Rev.* 118, pp. 6297-6336 (2018).
- Harrison et al., "Poly-gate Replacement Through Contact Hole (PRETCH): A New Method for High-K/ Metal Gate and Multi-Oxide Implementation on Chip," *IEEE* (2004).
- Heo et al., "Structural Characterization of Nanoporous Low-Dielectric Constant SiCOH Films Using Organosilane Precursors," *NSTI-Nanotech*, vol. 4, 122-123 (2007).
- Henke et al., "X-Ray Interactions: Photo absorption, Scattering, Transmission, and Reflection at E = 50-30,000 eV, Z = 1-92," *Atomic Data and Nuclear Data Tables*, 54, 181-342 (1993).
- Heyne et al., "The conversion mechanism of amorphous silicon to stoichiometric WS₂" *J. Materials Chemistry C*, 6, pp. 4122-4130 (2018).
- Hossain et al., "Recent Advances in Two-Dimensional Materials with Charge Density Waves: Synthesis, Characterization and Applications" *Crystals* 7, 298, 19 pages (2017).
- Hudis, "Surface Crosslinking of Polyethylene Using a Hydrogen Glow Discharge," *J. Appl. Polym. Sci.*, 16 (1972) 2397.
- Johansson et al. "Towards absolute asymmetric synthesis. Synthesis and crystal structure of stereochemically labile MCl₂ (M=CO, Ni, Cu, Zn) complexes with diamine ligands," *Inorganica Chimica Acta* 358, pp. 3293-3302 (2005).

(56)

References Cited

OTHER PUBLICATIONS

- Jones et al., "Growth of Aluminum Films by Low Pressure Chemical Vapour Deposition Using Tertiarybutylaluminium," *Journal of Crystal Growth* 135, pp. 285-289, Elsevier Science B.V. (1994).
- Jones et al., "Recent Developments in Metalorganic Precursors for Metalorganic Chemical Vapour Deposition," *Journal of Crystal Growth* 146, pp. 503-510, Elsevier Science B.V. (1995).
- Jung et al., "Double Patterning of Contact Array with Carbon Polymer," *Proc. Of SPIE*, 6924, 69240C, 1-10 (2008).
- Jung et al. "New Mechanisms for Ozone-Based ALO Growth of High-k Dielectrics via Nitrogen-Oxygen Species" *ECS Transactions*, 33(2), pp. 91-99 (2010).
- Kern et al., "Chemically Vapor-Deposited Borophosphosilicate Glasses for Silicon Device Applications" *RCE Review*, 43, 3, pp. 423-457 (1982).
- Kerrigan et al. "Low Temperature, Selective Atomic Layer Deposition of Cobalt Metal Films Using Bis(1,4-di-tert-butyl-1,3-diazadienyl)cobalt and Alkylamine Precursors," *Chem. Materials*, 29, pp. 7458-7466 (2017).
- Kim et al., "Passivation Effect on Low-k S/OC Dielectrics by H₂ Plasma Treatment," *Journal of the Korean Physical Society*, 40, 1, 94-98 (2002).
- Kim et al., "Characteristics of Low Temperature High Quality Silicon Oxide by Plasma Enhanced Atomic Layer Deposition with In-Situ Plasma Densification Process," *The Electrochemical Society, ECS Transactions, College of Information and Communication Engineering, Sungkyunkwan University*, 53(1), 321-329 (2013).
- Kim et al., "Novel Flowable CVD Process Technology for sub-20nm Interlayer Dielectrics," *IEEE International Interconnect Technology Conference (IITC 2012)*, San Jose, California, USA, Jun. 4-6, 2012, pp. 1-3 (2012).
- King, Plasma Enhanced Atomic Layer Deposition of SiN_x: H and SiO₂, *J. Vac. Sci. Technol.*, A29(4) (2011).
- Klug et al., "Atomic Layer Deposition of Amorphous Niobium Carbide-Based Thin Film Superconductors," *The Journal of Physical Chemistry C*, vol. 115, p. 25063-25071, (2011).
- Kobayshi, et al., "Temperature Dependence of SiO₂ Film Growth with Plasma-Enhanced Atomic Layer Deposition," regarding Thin Solid Films, published by Elsevier in the *International Journal on the Science and Technology of Condensed Matter*, in vol. 520, No. 11, 3994-3998 (2012).
- Kogelschatz et al. "Ozone Generation from Oxygen and Air: Discharge Physics And Reaction Mechanisms" *Ozone Science & Engineering*, 10, pp. 367-378 (1998).
- Koo et al., "Characteristics of Al₂O₃ Thin Films Deposited Using Dimethylaluminum Isopropoxide and Trimethylaluminum Precursors by the Plasma-Enhanced Atomic-Layer Deposition Method," *Journal of Physical Society*, 48, 1, 131-136 (2006).
- Koutsokeras et al. "Texture and Microstructure Evolution in Single-Phase Ti_xTal-xN Alloys of Rocksalt Structure," *Journal of Applied Physics*, 110, pp. 043535-1-043535-6, (2011).
- Knoops et al., "Atomic Layer Deposition of Silicon Nitride from Bis(tert-butyloamino) silane and N₂ Plasma," *Applied Materials & Interfaces, American Chemical Society*, A-E (2015).
- Krenek et al. "IR Laser CVD of Nanodisperse Ge-Si-Sn Alloys Obtained by Dielectric Breakdown of GeH₄/SiH₄/SnH₄ Mixtures", *NanoCon 2014*, Nov. 5-7, Brno, Czech Republic, EU.
- Kukli et al., "Influence of atomic layer deposition parameters on the phase content of Ta₂O₅ films" *J. Crystal Growth*, 212, pp. 459-468 (2000).
- Kukli et al., "Properties of hafnium oxide films grown by atomic layer deposition from hafnium tetraiodide and oxygen". *Journal of Applied Physics*, vol. 92, No. 10, Nov. 15, 2002, pp. 5698-5703.
- Kukli et al. "Properties of tantalum oxide thin films grown by atomic layer deposition" *Thin Solid Films*, 260, pp. 135-142 (1995).
- Kurosawa et al., "Synthesis and Characterization of Plasma-Polymerized Hexamethyldisiloxane Films," *Thin Solid Films*, 506-507, 176-179 (2006).
- Kwon et al., "Substrate Selectivity of (tBu-Allyl)Co(CO)₃ during Thermal Atomic Layer Deposition of Cobalt," *Chem. Materials*, 24, pp. 1025-1030 (2012).
- Lanford et al., "The Hydrogen Content of Plasmadeposited Silicon Nitride," *J. Appl. Phys.*, 49, 2473 (1978).
- Lee et al., "Characteristics Of Low-K Sioc Films Deposited Via Atomic Layer Deposition," *Thin Solid Films* 645, pp. 334-339 (2018).
- Lee et al., Layer Selection by Multi-Level Permutation in 3-D Stacked NAND Flash Memory, *IEEE Electron Device Letters*, vol. 37, No. 7, 866-869 (2016).
- Levy et al., "Reflow Mechanisms of Contact Vias in VLSI Processing" *J. Electrochem. Soc.: Solid-State Science and Technology*, 133, 7, pp. 1417-1424 (1986).
- Li et al., "Metallic Transition-Metal Dichalcogenide Nanocatalysts for Energy Conversion" *Chem.* 4, pp. 1510-1537 (2018).
- Liang et al. "Conversion of Metal Carbides to Carbide Derived Carbon by Reactive Ion Etching in Halogen Gas" *Micro (MEMS) and Nantoechnologies for Space Applications*, Thomas George et al. vol. 6223, 2006 p. 62230J-I to 62230J-11 lines 3-14 in the "Abstract" section and lines 7-9 in the "Introduction" section of p. 1, lines 3-4 in the "Introduction" section and lines 3-4 in the "Experimental Procedure" section of p. 2.
- Lieberman, et al., "Principles of Plasma Discharges and Materials Processing," Second Edition, 368-381 (2005).
- Lim et al., "Low-Temperature Growth of SiO₂ Films by Plasma-Enhanced Atomic Layer Deposition," *ETRI Journal*, 27 (1), 118-121 (2005).
- Lim et al. "Synthesis and Characterization of Volatile, Thermally Stable, Reactive Transition Metal Amidinates," *Inorg. Chem.*, 42, pp. 7951-7958 (2003).
- Liu et al., "Research, Design, and Experiment of End Effector for Wafer Transfer Robot," *Industrial Robot: An International Journal*, 79-91 (2012).
- Liu et al., "Van der Waals metal-semiconductor junction: Weak Fermi level pinning enables effective tuning of Schottky barrier" *Sci. Adv.* 2: e1600069, 7 pages (2016).
- Longrie et al., "Plasma-Enhanced ALD of Platinum with O₂, N₂ and NH₃ Plasmas", *ECS Journal of Solid State Science and Technology*, vol. 1, pp. Q123-Q129 (2012).
- Mackenzie et al. "Stress Control of Si-Based PEVCD Dielectrics," *Proc. Symp. Silicon Nitride and Silicon Dioxide Thin Insulating Films & Other Emerging Dielectrics VIII*, 148-159 (2005).
- Mackus et al., "Optical Emission Spectroscopy as a Tool for Studying Optimizing and Monitoring Plasma-Assisted Atomic Layer Deposition Processes," *Journal of Vacuum Science and Technology*, 77-87 (2010).
- Maeno, "Gecko Tape Using Carbon Nanotubes," *Nitto Denko Gihou*, 47, 48-51 (2009).
- Maeng et al. Electrical properties of atomic layer disposition HfO₂ and HfO_xN_y on Si substrates with various crystal orientations, *Journal of the Electrochemical Society*, 2008-04, p. H267-H271, vol. 155, No. 4, Department of Materials Science and Engineering, Pohang University of Science and Technology, Pohang, Korea.
- Makela et al. "Thermal Atomic Layer Deposition of Continuous and Highly Conducting Gold Thin Films," *Chem. Materials*, 29, pp. 6130-6136 (2017).
- Marsik et al., "Effect of Ultraviolet Curing Wavelength on Low-k Dielectric Material Properties and Plasma Damage Resistance," *Sciencedirect.com*, 519, 11, 3619-3626 (2011).
- Mason et al., "Hydrolysis of Tri-tert-butylaluminum: The First Structural Characterization of Alkylalumoxanes [(R₂Al)₂O]_n and (RAIO)_n," *J. American Chemical Society*, vol. 115, No. 12, pp. 4971-4984 (1993).
- Massachusetts Institute of Technology Lincoln Laboratory, "Solid State Research," *Quarterly Technical Report* (1995).
- Mattinen et al., "Crystalline tungsten sulfide thin films by atomic layer deposition and mild annealing" *J. Vac. Sci. Tech.* 37, 020921, 35 pages (2019).
- Maydannik et al., "Spatial atomic layer deposition: Performance of low temperature H₂O and O₃oxidant chemistry for flexible electronics encapsulation", *Journal of Vacuum Science and Technology: Part A AVS/ AIP*, vol. 33 (1901).

(56)

References Cited

OTHER PUBLICATIONS

- Meng et al., "Atomic Layer of Deposition of Silicon Nitride Thin Films: A Review of Recent Progress, Challenges, and Outlooks," *Materials*, 9, 1007 (2016).
- Mix et al., "Characterization of plasma-polymerized allyl alcohol polymers and copolymers with styrene," *Adhes. Sci. Technol.*, 21 (2007), S. 487-507.
- Moeen, "Design, Modelling and Characterization of Si/SiGe Structures for IR Bolometer Applications," KTH Royal Institute of Technology. Information and Communication Technology, Department of Integrated Devices and Circuits, Stockholm Sweden (2015).
- Morishige et al., "Thermal Desorption and Infrared Studies of Ammonia Amines and Pyridines Chemisorbed on Chromic Oxide," *J. Chem. Soc., Faraday Trans. 1*, 78, 2947-2957 (1982).
- Mosleh et al., "Enhancement of Material Quality of (Si)GeSn Films Grown by SnCl₄ Precursor," *ECS Transactions*, 69 (5), 279-285 (2015).
- Mukai et al., "A Study of CD Budget in Spacer Patterning Technology," *Proc. Of SPIE*, 6924, 1-8 (2008).
- Nakano et al., "Layer-by-Layer Epitaxial Growth of Scalable WSe₂ on Sapphire by Molecular Beam Epitaxy" *Nano. Lett.* 17, pp. 5595-5599 (2017).
- Ngo et al. "Atomic layer deposition of photoactive CoO/SrTiO₃ and CoO/TiO₂ on Si(001) for visible light driven photoelectrochemical water oxidation," *J. Applied Physics*, 114, 9 pages (2013).
- Nogueira et al., "Production of Highly Hydrophobic Films Using Low Frequency and High Density Plasma," *Revista Brasileira de Aplicacoes de Vacuo*, 25(1), 45-53 (2006).
- Novaro et al. Theoretical Study on a Reaction Pathway of Ziegler-Natta-Type Catalysis, *J. Chem. Phys.* 68(5), Mar. 1, 1978 p. 2337-2351.
- Ohchi et al. "Reducing damage to Si substrates during gate etching processes." *Japanese Journal of Applied Physics* 47.7R 5324 (2008).
- Okamoto et al., "Luminescent Properties of Pr³⁺-sensitized LaPO₄:Gd³⁺ Ultraviolet-B Phosphor Under Vacuum-Ultraviolet Light Excitation," *J. App. Phys.* 106, 013522 (2009).
- Park, "Substituted Aluminum Metal Gate on High-K Dielectric for Low Work-Function and Fermi-Level Pinning Free," 4 pages, *IEEE 0-7803-8684-1/04* (2004).
- Portet et al., "Impact of Synthesis Conditions on Surface Chemistry and Structure of Carbide-Derived Carbons," *Thermochimica Acta*, 497, 137-142 (2010).
- Potts et al., "Low Temperature Plasma-Enhanced Atomic Layer Deposition of metal Oxide Thin Films," *Journal of the Electrochemical Society*, 157, 66-74 (2010).
- Potts et al., "Room-Temperature ALD of Metal Oxide Thin Films by Energy-Enhanced ALD", *Chemical Vapor Deposition*, vol. 19, pp. 125-133 (2013).
- Presser, et al., "Effect of Pore Size on Carbon Dioxide Sorption by Carbide Derived Carbon," *Energy & Environmental Science* 4.8, 3059-3066 (2011).
- Provine et al., "Correlation of Film Density and Wet Etch Rate in Hydrofluoric Acid of Plasma Enhanced Atomic Layer Deposited Silicon Nitride," *AIP Advances*, 6 (2016).
- Radamson et al. "Growth of Sn-alloyed Group IV Materials for Photonic and Electronic Applications" Chapter 5 pp. 129-144, *Manufacturing Nano Structures* (2014).
- Ryu et al., "Persistent Charge-Density-Wave Order in Single-Layer TaSe₂" *Nano. Lett.* 18, pp. 689-694 (2018).
- Sakuma et al., "Highly Scalable Horizontal Channel 3-D NAND Memory Excellent in Compatibility with Conventional Fabrication Technology," *IEEE Electron Device Letters*, vol. 34, No. 9, 1142-1144 (2013).
- Salim, "In-situ Fourier Transform Infrared Spectroscopy of Chemistry and Growth in Chemical Vapor Deposition," *Massachusetts Institute of Technology*, 187 pages (1995).
- Salim et al., "In Situ Concentration Monitoring in a Vertical OMVPE Reactor by Fiber-Optics-Based Fourier Transform Infrared Spectroscopy," *Journal of Crystal Growth* 169, pp. 443-449, *Elsevier Science B.V.* (1996).
- Samal et al., "Low-Temperature (<200° C) Plasma Enhanced Atomic Deposition of Dense Titanium Nitride Thin Films" (2012).
- Sanders et al., "Crystalline and electronic structure of single-layer TaS₂" *Phys. Rev. B.* 94, 081404, 6 pages (2016).
- Schindler, Dissertation, Next Generation High-k Dielectrics for DRAM Produced by Atomic Layer Deposition Studied by Transmission Electron Microscopy (2015).
- Schmatz et al., "Unusual Isomerization Reactions in 1,3-Diaza-2-Silacyclopentanes," *Organometallics*, 23, 1180-1182 (2004).
- Sellers, Making Your Own Timber Dogs, Paul Sellers blog, Published on Nov. 18, 2014, [online], [site visted Jun. 10, 2017]. Available from Internet, <URL: <https://paulsellers.com/2014/11/making-your-own-timber-dogs/>>.
- Selvaraj et al., "Selective Atomic Layer Deposition of Zirconia on Copper Patterned Silicon Substrates Using Ethanol as Oxygen Source as Well as Copper Reductant," *J. Vac. Sci. Technol. A*32(1), (2014).
- Selvaraj et al., "Surface Selective Atomic Layer Deposition of Hafnium Oxide for Copper Diffusion Barrier Application Using Tetrakis (diethylamino) Hafnium and Ethanol," 225th ECS Meeting, Meeting Abstract, (May 12, 2014).
- Seshadri et al., "Ultrathin Extreme Ultraviolet Patterning Stack Using Polymer Brush As An Adhesion Promotion Layer," *Journal of Micro/Nanolithography, MEMS, and MOEMS* 16(3) (2017).
- Shamma et al., "PDL Oxide Enabled Doubling," *Proc. Of SPIE*, 6924, 69240D, 1-10 (2008).
- Simchi et al., "Sulfidation of 2D transition metals (Mo, W, Re, Nb, Ta): thermodynamics, processing, and characterization" *J. Materials Science* 52: 17, 9 pages (2017).
- Stanley et al. "Feedgas for Modern High-Performance Ozone Generators" *Ozonia Ltd., Duebendorf, Switzerland.* 7 pages. Available Jul. 14, 2017 online at: http://www.degremont-technologies.com/cms_medias/pdf/tech_ozonia_feedgas.pdf (1999).
- Svetin et al., "Three-dimensional resistivity and switching between correlated electronic states in 1T-TaS₂" *Nature, Scientific Reports* Apr. 12, 2017, 7:46048, 10 pages (2017).
- Tatehaba et al., "Adhesion Energy of Polystyrene and Substrate in Function Water," 5th International Symposium of Cleaning Technology in Semiconductor Device Manufacturing, pp. 560-565 (1998).
- Todi et al., "Characterization of Pt-Ru Binary Alloy Thin Films for Work Function Tuning," *IEEE Electron Device Letters*, vol. 27, No. 7, pp. 542-545 (2006).
- Tseng et al., "Etch Properties of Resists Modified by Sequential Infiltration Synthesis," *American Vacuum Society* (2011).
- Tseng et al., "Enhanced Block Copolymer Lithography Using Sequential Infiltration Synthesis," *Journal of Physical Chemistry*, vol. 5, 17725-17729 (2011).
- Ueda et al. "Enhanced Sidewall Grown (ESG) process: towards PEALD with conformality above 100%," *Extended Abstracts of the 2011 International Conference on Solid State Devices and Materials, Nagoya*, pp. 34-35 (2011).
- Varma, et al., "Effect of Metal Halides on Thermal, Mechanical, and Electrical Properties of Polypyromelitimide Films," *Journal of Applied Polymer Science*, vol. 32, pp. 3987-4000, (1986).
- Vasilev, "Borophosphosilicate Glass Films in Silicon Microelectronics, Part 1: Chemical Vapor Deposition, Composition, and Properties" *Russian Microelectronics*, vol. 33, No. 5, pp. 271-284 (2004).
- Voltaix, "Material Safety Data Sheet for: Trisilylamine", pp. 1-8, (2014).
- Wang et al., "Tertiarybutylaluminum as an Organometallic Source for Epitaxial Growth of AlGaSb," *Appl. Phys. Lett.* 67 (10), Sep. 4, pp. 1384-1386, *American Institute of Physics* (1995).
- Wirths, et al., "SiGeSn Growth studies Using Reduced Pressure Chemical Vapor Deposition Towards Optoelectronic Applications," *This Soid Films*, 557, 183-187 (2014).
- Xing et al., "Ising Superconductivity and Quantum Phase Transition in Macro-Size Monolayer NbSe₂" *Nano. Lett.* 17, pp. 6802-6807 (2017).
- Xu et al., "14NM Metal Gate Film Stack Development and Challenges," *SMIC et al.* (2016).

(56)

References Cited

OTHER PUBLICATIONS

- Xu et al., "Contacts between Two- and Three-Dimensional Materials: Ohmic, Schottky, and p-n Heterojunctions" ACS Nano 10, pp. 4895-4919 (2016).
- Yoshida, et al., Threshold Voltage Tuning for 10NM and Beyond CMOS Integration, Solid State Technology, 57(7): 23-25 (2014).
- Yu et al., "Modulation of the Ni FUSI Workfunction by Yb Doping: from Midgap to N-Type Band-Edge," 4 pages, IEEE 0-7803-9269-8/05 (2005).
- Yuan et al., "Facile Synthesis of Single Crystal Vanadium Disulfide Nanosheets by Chemical Vapor Deposition for Efficient Hydrogen Evolution Reaction" Adv. Mater. 27, pp. 5605-5609 (2015).
- Yun et al., "Behavior of Various Organosilicon Molecules in PECVD Processes for Hydrocarbon-Doped Silicon Oxide Films," Solid State Phenomena, vol. 124-126, 347-350 (2007).
- Yun et al., "Comparison of Atomic Scale Etching of Poly-Si in Inductively Coupled Ar and He Plasmas", Korean Journal of Chemical Engineering, vol. 24, 670-673 (2007).
- Yun et al., "Single-Crystalline Si Stacked Array (STAR) NAND Flash Memory," IEEE Transactions on Electron Devices, vol. 58, No. 4, 1006-1014 (2011).
- Yun et al., "Effect of Plasma on Characteristics of Zirconium Oxide Films Deposited by Plasma-Enhanced Atomic Layer Deposition," Electrochemical and Solid State Letters, 8(11) F47-F50 (2005).
- Yushin et al., "Carbon-Derived Carbon," Department of Materials Science and Engineering, Taylor & Francis Group, LLC (2006).
- Zhou et al., "A library of atomically thin metal chalcogenides" Nature 556, pp. 355-361 (2018).
- Chemistry Stack Exchange, "Why is CF4 Non-Polar and CHF3 Polar," <https://chemistry.stackexchange.com/questions/31604/why-is-cf4-non-polar-and-chf3-polar>, (2015).
- Crystal IS "Application Note: Using UV Reflective Materials to Maximize Disinfection"; AN011; Jun. 16, 2016.
- "Polyurethane_HF"; webpage; no date. Cited in Notice of References dated May 18, 2017 in U.S. Appl. No. 14/884,695.
- Scientific and Technical Information Center EIC 2800 Search Report dated Feb. 16, 2012.
- EPO; Notice of Allowance dated Oct. 16, 2019 in Application No. 09836647.9.
- KIPO; Notice of Allowance dated Sep. 27, 2019 in Application No. 10-2012-7004062.
- KIPO; Office Action dated Nov. 27, 2019 in Application No. 10-2013-0050740.
- KIPO; Office Action dated Nov. 12, 2019 in Application No. 10-2013-0102026.
- KIPO; Notice of Allowance dated Oct. 21, 2019 in Application No. 10-2013-0109390.
- KIPO; Notice of Allowance dated Oct. 28, 2019 in Application No. 10-2013-0121554.
- KIPO; Notice of Allowance dated Nov. 29, 2019 in Application No. 10-2019-0127773.
- TIPO; Office Action dated Nov. 6, 2019 in Application No. 105101537.
- TIPO; Office Action dated Oct. 1, 2019 in Application No. 105114105.
- TIPO; Office Action dated Oct. 3, 2019 in Application No. 105119533.
- TIPO; Office Action dated Oct. 28, 2019 in Application No. 105122715.
- USPTO; Non-Final Office Action dated Oct. 31, 2019 in U.S. Appl. No. 14/457,058.
- USPTO; Advisory Action dated Oct. 28, 2019 in U.S. Appl. No. 14/508,489.
- USPTO; Notice of Allowance dated Nov. 14, 2019 in U.S. Appl. No. 14/793,323.
- USPTO; Final Office Action dated Oct. 24, 2019 in U.S. Appl. No. 15/135,258.
- USPTO; Advisory Action dated Oct. 22, 2019 in U.S. Appl. No. 15/205,827.
- USPTO; Non-Final Office Action dated Nov. 7, 2019 in U.S. Appl. No. 15/377,439.
- USPTO; Final Office Action dated Sep. 18, 2019 in U.S. Appl. No. 15/380,921.
- USPTO; Non-Final Office Action dated Oct. 24, 2019 in U.S. Appl. No. 15/402,993.
- USPTO; Notice of Allowance dated Oct. 7, 2019 in U.S. Appl. No. 15/489,453.
- USPTO; Non-Final Office Action dated Oct. 3, 2019 in U.S. Appl. No. 15/491,726.
- USPTO; Advisory Action dated Sep. 20, 2019 in U.S. Appl. No. 15/589,861.
- USPTO; Final Office Action dated Nov. 12, 2019 in U.S. Appl. No. 15/636,307.
- USPTO; Notice of Allowance dated Nov. 7, 2019 in U.S. Appl. No. 15/660,797.
- USPTO; Non-Final Office Action dated Oct. 10, 2019 in U.S. Appl. No. 15/672,096.
- USPTO; Advisory Action dated Sep. 23, 2019 in U.S. Appl. No. 15/672,119.
- USPTO; Non-Final Office Action dated Nov. 20, 2019 in U.S. Appl. No. 15/690,017.
- USPTO; Notice of Allowance dated Nov. 7, 2019 in U.S. Appl. No. 15/707,786.
- USPTO; Non-Final Office Action dated Sep. 26, 2019 in U.S. Appl. No. 15/727,432.
- USPTO; Non-Final Office Action dated Nov. 20, 2019 in U.S. Appl. No. 15/795,056.
- USPTO; Non-Final Office Action dated Nov. 15, 2019 in U.S. Appl. No. 15/802,154.
- USPTO; Final Office Action dated Nov. 13, 2019 in U.S. Appl. No. 15/860,564.
- USPTO; Advisory Action dated Nov. 5, 2019 in U.S. Appl. No. 15/879,209.
- USPTO; Non-Final Office Action dated Oct. 24, 2019 in U.S. Appl. No. 15/890,037.
- USPTO; Final Office Action dated Nov. 19, 2019 in U.S. Appl. No. 15/896,986.
- USPTO; Non-Final Office Action dated Jul. 25, 2019 in U.S. Appl. No. 16/039,867.
- USPTO; Notice of Allowance dated Oct. 3, 2019 in U.S. Appl. No. 16/200,100.
- USPTO; Non-Final Office Action dated Sep. 24, 2019 in U.S. Appl. No. 16/251,534.
- USPTO; Notice of Allowance dated Oct. 30, 2019 in U.S. Appl. No. 29/604,101.
- USPTO; Final Office Action dated Jul. 15, 2019 in U.S. Appl. No. 29/646,377.
- USPTO; Notice of Allowance dated Nov. 14, 2019 in U.S. Appl. No. 29/646,377.
- Ellis et al. "Nitrous Oxide (N2O) Processing for Silicon Oxynitride Gate Dielectrics." IBM Journal of Research and Development. 1999. 43[3]. pp. 287-300. (1999).
- Hayashi et al. "Spectroscopic properties of nitrogen doped hydrogenated amorphous carbon films grown by radio frequency plasma-enhanced chemical vapor deposition," Journal of Applied Physics. vol. 89, No. 12, pp. 7924-7931 (2001).
- Miller et al. "Carbon nitrides: synthesis and characterization of a new class of functional materials," Phys.Chem.Chem.Phys., 19, pp. 15613-15638 (2017).
- Ohtsu et al. "Influences of Gap Distance on Plasma Characteristics in Narrow Gap Capacitively Coupled Radio-Frequency Discharge," vol. 43, No. 2, pp. 795-799 (2004).
- CNIPA; Notice of Allowance dated Sep. 3, 2019 in Application No. 201610141027.1.
- CNIPA; Notice of Allowance dated Sep. 30, 2010 in Application No. 201510765170.3.
- CNIPA; Office Action dated Jul. 23, 2019 in Application No. 201610897958.4.
- EPO; Notice of Allowance dated Aug. 1, 2019 in Application No. 09767208.3.
- JPO; Office Action dated Aug. 29, 2019 in Application No. 2016001928.
- KIPO; Notice of Allowance dated Jul. 5, 2019 in Application No. 10-2012-0064526.
- KIPO; Notice of Allowance dated Aug. 29, 2019 in Application No. 10-2013-0036823.

(56)

References Cited

OTHER PUBLICATIONS

- KIPO; Office Action dated Aug. 27, 2019 in Application No. 10-2013-0049598.
- KIPO; Office Action dated Aug. 27, 2019 in Application No. 10-2013-0089998.
- KIPO; Notice of Allowance dated Oct. 8, 2019 in Application No. 10-2013-0101944.
- KIPO; Office Action dated Aug. 15, 2019 in Application No. 10-2013-0109390.
- KIPO; Office Action dated Oct. 7, 2019 in Application No. 10-2013-0114079.
- KIPO; Notice of Allowance dated Aug. 26, 2019 in Application No. 10-2014-7017110.
- KIPO; Final Office Action dated Jun. 17, 2019 in Application No. 10-2017-7023740.
- TIPO; Office Action dated Aug. 16, 2019 in Application No. 102136496.
- TIPO; Notice of Allowance dated Jul. 10, 2019 in Application No. 103123439.
- TIPO; Notice of Allowance dated Sep. 27, 2019 in Application No. 104105533.
- TIPO; Notice of Allowance dated Sep. 23, 2019 in Application No. 104105965.
- TIPO; Notice of Allowance dated Oct. 4, 2019 in Application No. 104122889.
- TIPO; Notice of Allowance dated Jul. 19, 2019 in Application No. 104122890.
- TIPO; Office Action dated Jul. 5, 2019 in Application No. 105112363.
- TIPO; Office Action dated Sep. 9, 2019 in Application No. 105115513.
- TIPO; Notice of Allowance dated Sep. 20, 2019 in Application No. 106138800.
- TIPO; Office Action dated Aug. 27, 2019 in Application No. 107116804.
- TIPO; Office Action dated Jun. 28, 2019 in Application No. 108102948.
- USPTO; Non-Final Office Action dated Aug. 19, 2019 in U.S. Appl. No. 13/184,351.
- USPTO; Advisory Action dated Feb. 12, 2016 in U.S. Appl. No. 13/651,144.
- USPTO; Advisory Action dated Dec. 29, 2016 in U.S. Appl. No. 13/651,144.
- USPTO; Non-Final Office Action dated Sep. 18, 2019 in U.S. Appl. No. 13/651,144.
- USPTO; Advisory Action dated Jun. 26, 2015 in U.S. Appl. No. 13/791,246.
- USPTO; Notice of Allowance dated Apr. 22, 2016 in U.S. Appl. No. 14/172,220.
- USPTO; Non-Final Office Action dated Aug. 8, 2019 in U.S. Appl. No. 14/188,760.
- USPTO; Advisory Action dated Jan. 22, 2019 in U.S. Appl. No. 14/219,839.
- USPTO; Notice of Allowance dated Aug. 19, 2016 in U.S. Appl. No. 14/268,348.
- USPTO; Non-Final Office Action dated Aug. 8, 2019 in U.S. Appl. No. 14/444,744.
- USPTO; Advisory Action dated Nov. 6, 2015 in U.S. Appl. No. 14/457,058.
- USPTO; Notice of Allowance dated Aug. 16, 2017 in U.S. Appl. No. 14/606,364.
- USPTO; Notice of Allowance dated Aug. 15, 2019 in U.S. Appl. No. 14/645,234.
- USPTO; Non-Final Office Action dated Sep. 19, 2019 in U.S. Appl. No. 14/829,565.
- USPTO; Final Office Action dated Jun. 10, 2016 in U.S. Appl. No. 14/987,420.
- USPTO; Notice of Allowance dated Mar. 26, 2018 in U.S. Appl. No. 15/144,481.
- USPTO; Final Office Action dated Aug. 9, 2019 in U.S. Appl. No. 15/205,827.
- USPTO; Non-Final Office Action dated Aug. 5, 2019 in U.S. Appl. No. 15/262,990.
- USPTO; Advisory Action dated Jul. 29, 2019 in U.S. Appl. No. 15/402,993.
- USPTO; Notice of Allowance dated Aug. 14, 2019 in U.S. Appl. No. 15/410,503.
- USPTO; Final Office Action dated Aug. 20, 2019 in U.S. Appl. No. 14/508,489.
- USPTO; Notice of Allowance dated Aug. 21, 2019 in U.S. Appl. No. 15/592,730.
- USPTO; Notice of Allowance dated Sep. 11, 2019 in U.S. Appl. No. 15/598,169.
- USPTO; Non-Final Office Action dated Sep. 4, 2019 in U.S. Appl. No. 15/615,489.
- USPTO; Non-Final Office Action dated Jul. 29, 2019 in U.S. Appl. No. 15/660,797.
- USPTO; Notice of Allowance dated Aug. 22, 2019 in U.S. Appl. No. 15/660,805.
- USPTO; Final Office Action dated Jul. 26, 2019 in U.S. Appl. No. 15/690,017.
- USPTO; Final Office Action dated Aug. 12, 2019 in U.S. Appl. No. 15/707,786.
- USPTO; Non-Final Office Action dated Jul. 8, 2019 in U.S. Appl. No. 15/726,959.
- USPTO; Final Office Action dated Jul. 31, 2019 in U.S. Appl. No. 15/795,056.
- USPTO; Non-Final Office Action dated Oct. 2, 2019 in U.S. Appl. No. 15/798,201.
- USPTO; Non-Final Office Action dated Aug. 20, 2019 in U.S. Appl. No. 15/815,483.
- USPTO; Notice of Allowance dated Aug. 16, 2019 in U.S. Appl. No. 15/836,547.
- USPTO; Non-Final Office Action dated Jul. 31, 2019 in U.S. Appl. No. 15/860,564.
- USPTO; Final Office Action dated Aug. 21, 2019 in U.S. Appl. No. 15/879,209.
- USPTO; Notice of Allowance dated Sep. 23, 2019 in U.S. Appl. No. 15/886,225.
- USPTO; Non-Final Office Action dated Sep. 19, 2019 in U.S. Appl. No. 15/897,578.
- USPTO; Final Office Action dated Aug. 28, 2019 in U.S. Appl. No. 15/917,224.
- USPTO; Notice of Allowance dated Aug. 30, 2019 in U.S. Appl. No. 15/917,262.
- USPTO; Non-Final Office Action dated Jul. 22, 2019 in U.S. Appl. No. 15/940,759.
- USPTO; Notice of Allowance dated Aug. 26, 2019 in U.S. Appl. No. 15/940,801.
- USPTO; Notice of Allowance dated Aug. 22, 2019 in U.S. Appl. No. 15/985,298.
- USPTO; Notice of Allowance dated Jul. 31, 2019 in U.S. Appl. No. 15/987,755.
- USPTO; Non-Final Office Action dated Jul. 29, 2019 in U.S. Appl. No. 16/000,125.
- USPTO; Final Office Action dated Aug. 23, 2019 in U.S. Appl. No. 16/018,692.
- USPTO; Non-Final Office Action dated Aug. 7, 2019 in U.S. Appl. No. 16/024,390.
- USPTO; Notice of Allowance dated Jul. 10, 2019 in U.S. Appl. No. 16/046,218.
- USPTO; Final Office Action dated Sep. 25, 2019 in U.S. Appl. No. 16/147,047.
- USPTO; Non-Final Office Action dated Aug. 6, 2019 in U.S. Appl. No. 16/158,077.
- USPTO; Final Office Action dated Sep. 26, 2019 in U.S. Appl. No. 16/188,690.
- USPTO; Non-Final Office Action dated Aug. 29, 2019 in U.S. Appl. No. 16/161,744.
- USPTO; Non-Final Office Action dated Aug. 16, 2019 in U.S. Appl. No. 16/167,225.
- USPTO; Non-Final Office Action dated Aug. 19, 2019 in U.S. Appl. No. 16/208,062.
- USPTO; Non-Final Office Action dated Sep. 16, 2019 in U.S. Appl. No. 16/213,702.

(56)

References Cited

OTHER PUBLICATIONS

USPTO; Non-Final Office Action dated Aug. 21, 2019 in U.S. Appl. No. 29/634,768.

WIPO; International Search Report and Written Opinion dated Jun. 28, 2019 in Application No. PCT/IB2019/000084.

Bark et al. "Large-area niobium disulfide thin films as transparent electrodes for devices based on two-dimensional materials," *Nanoscale*, published online, 7 pages (2012).

Barreca et al. "Cobalt oxide nanomaterials by vapor phase synthesis for fast and reversible lithium storage" *J Phys Chem C*, 114, 10054-10060 (2010).

Basuvalingam et al. "NS-WeA6—Low Temperature ALD for Phase-controlled Synthesis of 2D Transition Metal (M=Ti, Nb) di-(MX₂) and Tri-(MX₃) Sulfides," AVS 19th International Conference on Atomic Layer Deposition (ALD 2019), Jul. 22, 2019, Abstract, 1 page (2019).

Cahiez et al. "Cobalt-Catalyzed cross coupling reaction between functionalized primary and secondary alkyl halides and aliphatic grignard reagents" *Adv. Synth. Catal*, 350, 1484-1488 (2008).

"Fiji F200 200mm Thermal/Plasma ALD Systems: Installation and Use Manual." CAW-02635 Rev. 0.6 (Mar. 13, 2012). Cambridge NahoTech Inc. pp 1-164 (2012).

Ge et al. "Large-scale synthesis of NbS₂ nanosheets with controlled orientation on graphene by ambient pressure CVD," *Nanoscale*, vol. 5, 5773-5778 (2013).

Gordon et al. "A Kinetic Model for Step Coverage by Atomic Layer Deposition in Narrow Holes or Trenches." *Chemical Vapor Deposition*. 9 [2]. pp. 73-78 (2003).

Hansen. "A Primer on Vacuum Pressure Measurement." *Vacuum Technology & Coating*. Jun. 2009. pp. 36-42 (2009).

Hansen. "Speed, Pressure and Throughput: Part 1 System Diagnostics." *Vacuum Technology & Coating*. Sep. 2011. pp. 14-17 (2011).

Hansen. "Speed, Pressure and Throughput: Part 2 Managing Gas Flow in High Vacuum Systems." *Vacuum Technology & Coating*. Oct. 2011. pp. 19-22 (2011).

Hansen. "Speed, Pressure and Throughput: Part 3 Automating the Pressure Control Process." *Vacuum Technology & Coating*. Nov. 2011. pp. 22-25 (2011).

Hansen. "Speed, Pressure and Throughput: Part 4 Outgassing and Base Pressure." *Vacuum Technology & Coating*. Dec. 2011. pp. 22-25 (2011).

Hansen. "Speed, Pressure and Throughput: Part 5 Leaks and Gas Flow in Leak Detection." *Vacuum Technology & Coating*. Jan. 2012. pp. 18-21 (2011).

Khandelwal et al. "Low-temperature Ar/N₂ remote plasma nitridation of SiO₂ thin films," *J. Vacuum Science & Technology A*, 20(6), pp. 1989-1996 (2002).

Kucheyev et al. "Mechanisms of Atomic Layer Deposition on Substrates with Ultrahigh Aspect Ratios." *Langmuir*. 24 [3]. pp. 943-948 (2008).

Londergan et al. "Engineered Low Resistivity Titanium-Tantalum Nitride Films by Atomic Layer Deposition," *Mat. Res. Soc. Symp. Proc.*, vol. 714E, pp. L5.3.1-L5.3.6 (2001).

Naito et al. "Electrical Transport Properties in 2H-NbS₂, -NbSe₂, -TaS₂ and -TaSe₂," *J. of Physical Society of Japan*, vol. 51, No. 1, 219-227 (1982).

Pichler. "Intrinsic Point Defects, Impurities and Their Diffusion in Silicon," *Springer-Verlag Wien*, p. 367 (2004).

Tidman et al. "Resistivity of thin TaS₂ crystals," *Can. J. Phys.*, vol. 54, 2306-2309 (1976).

Trumbore et al. "Solid solubilities of aluminum and gallium in germanium," *J. of Physics and Chemistry of Solids*, vol. 11, Issues 3-4, 239-240 (1959).

* cited by examiner

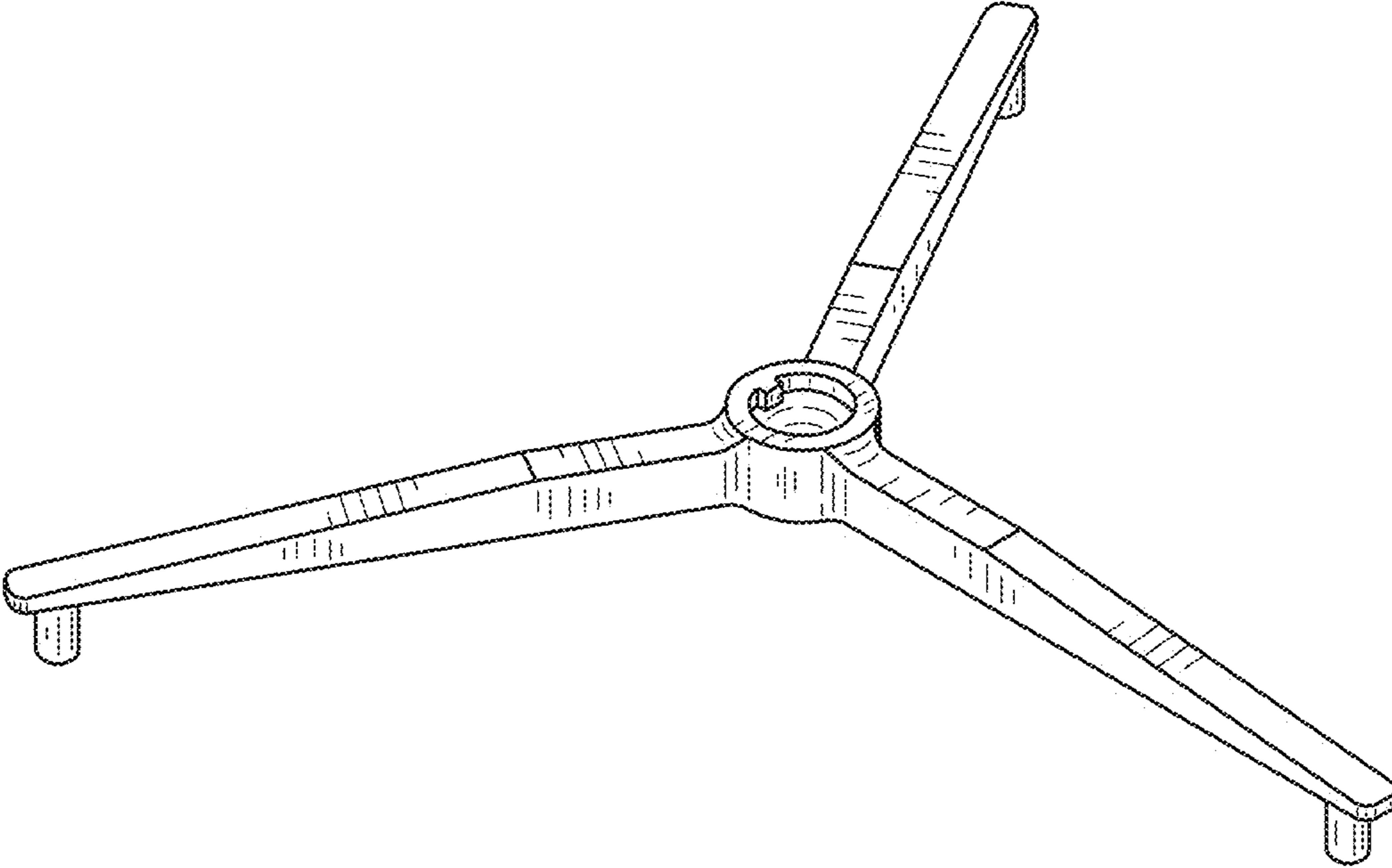


FIG. 1

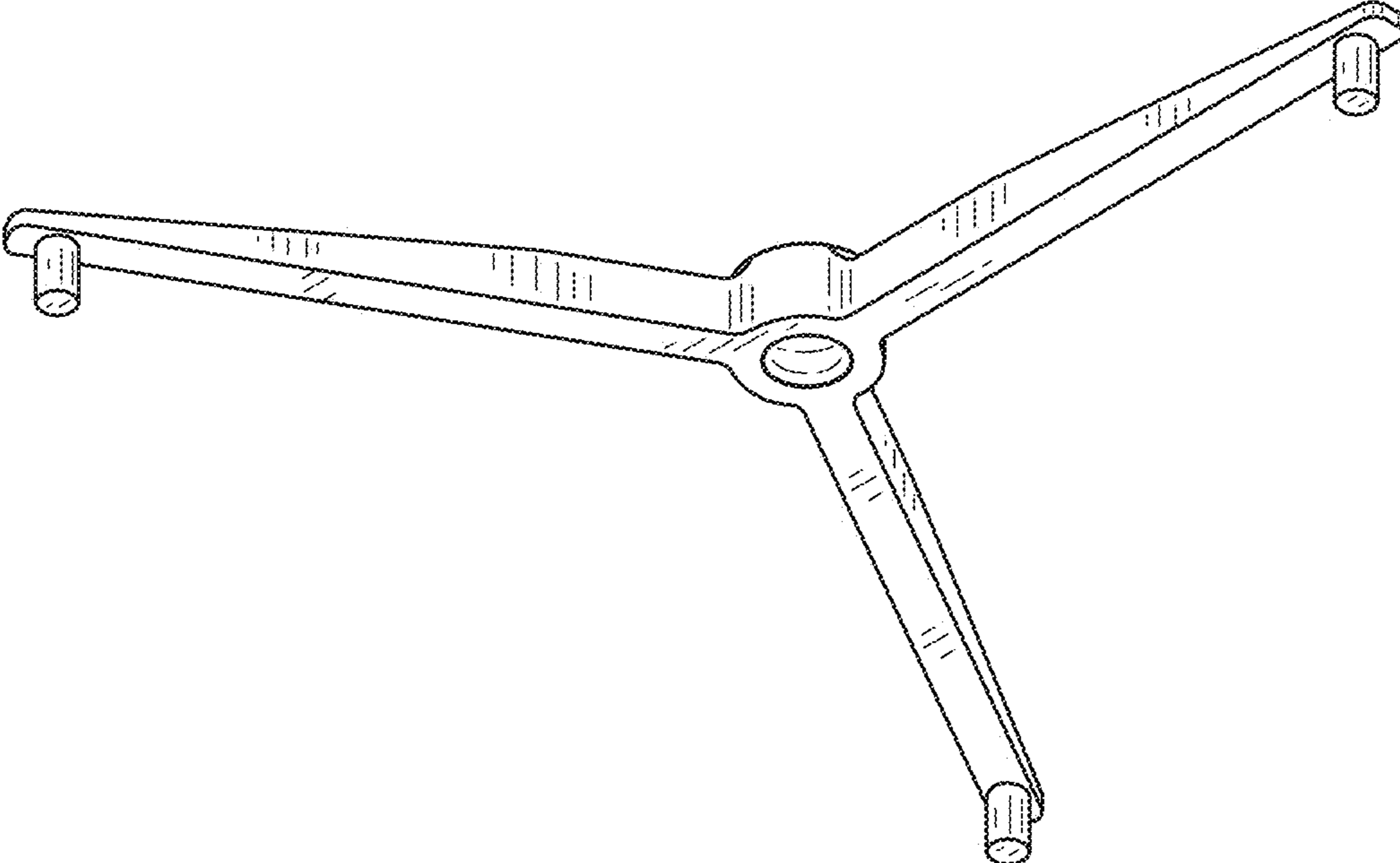


FIG. 2

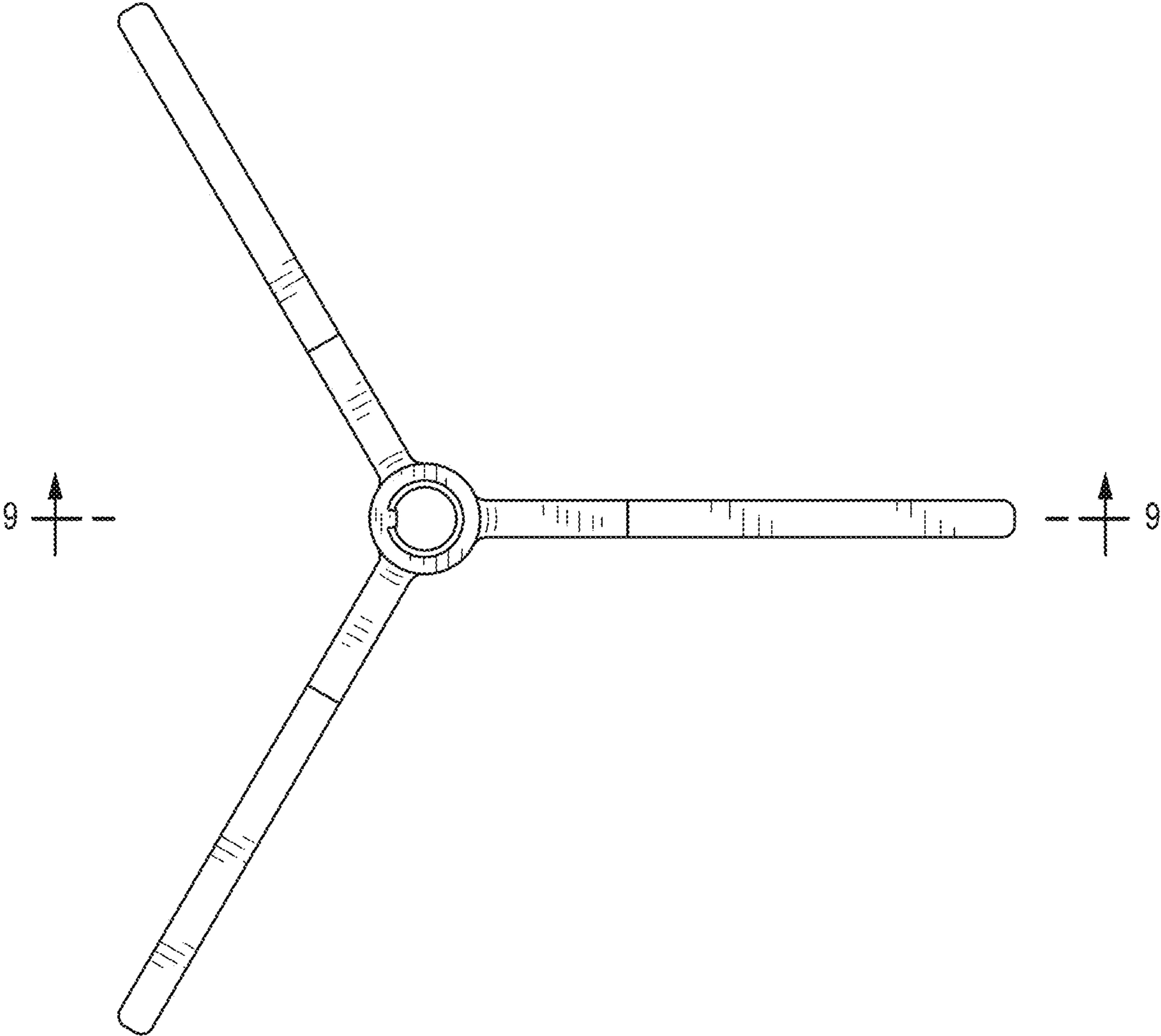


FIG.3

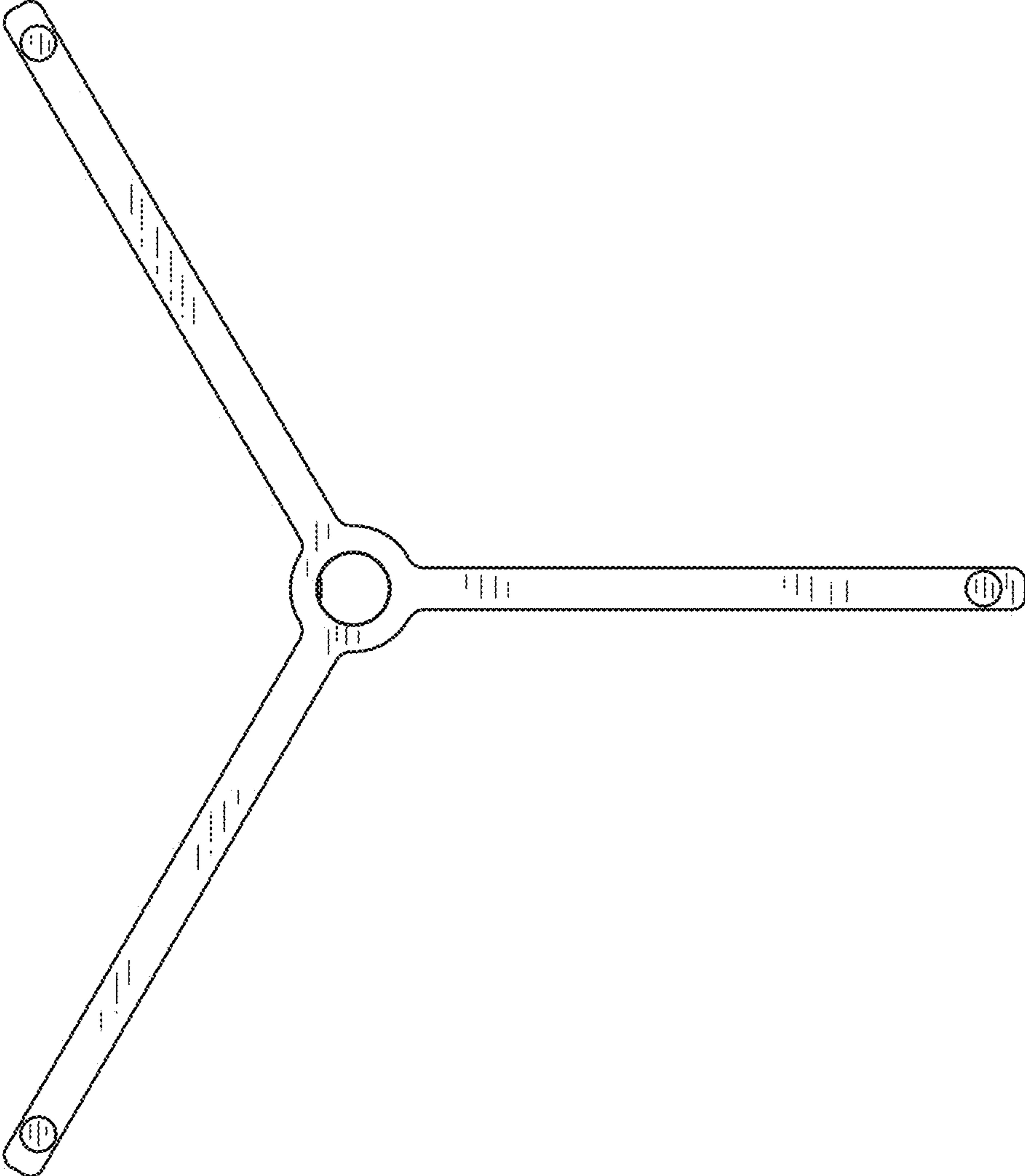


FIG.4

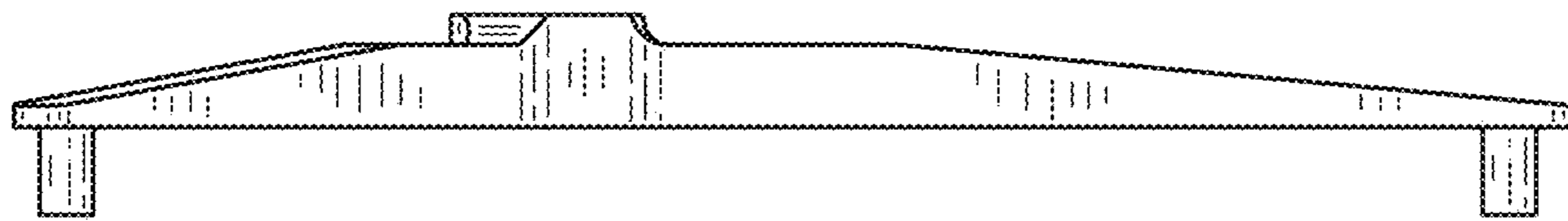


FIG. 5

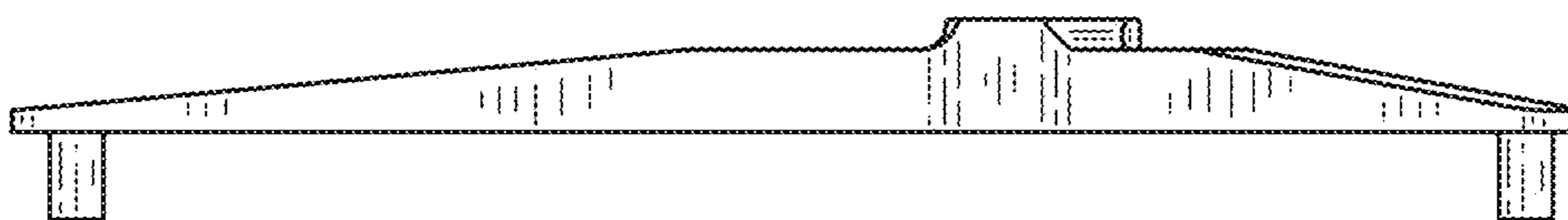


FIG. 6

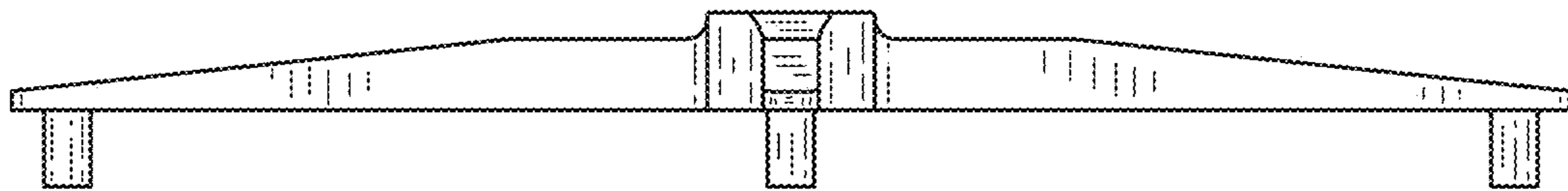


FIG. 7

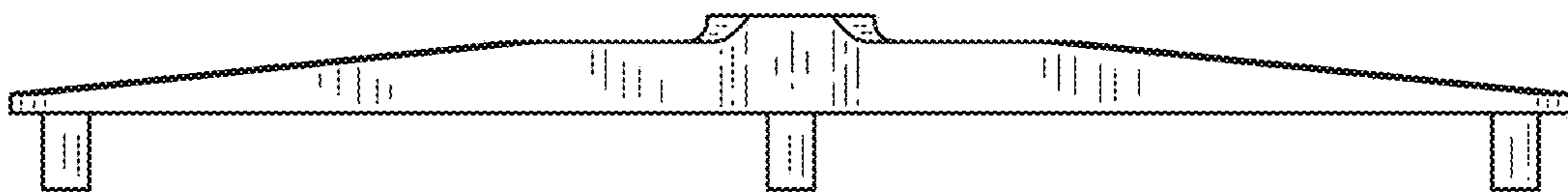


FIG. 8

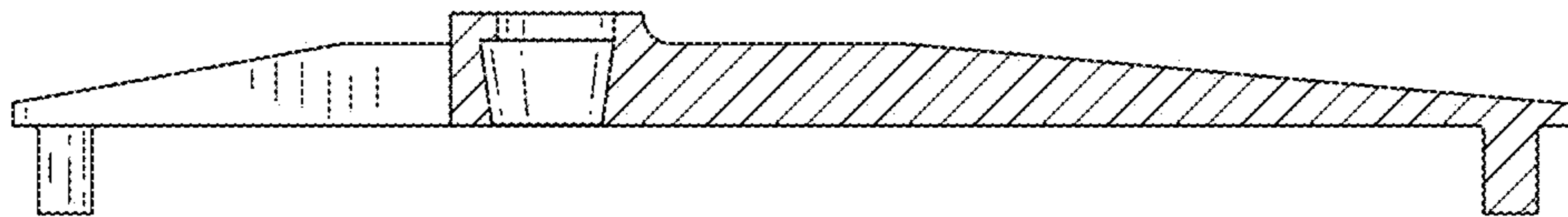


FIG.9

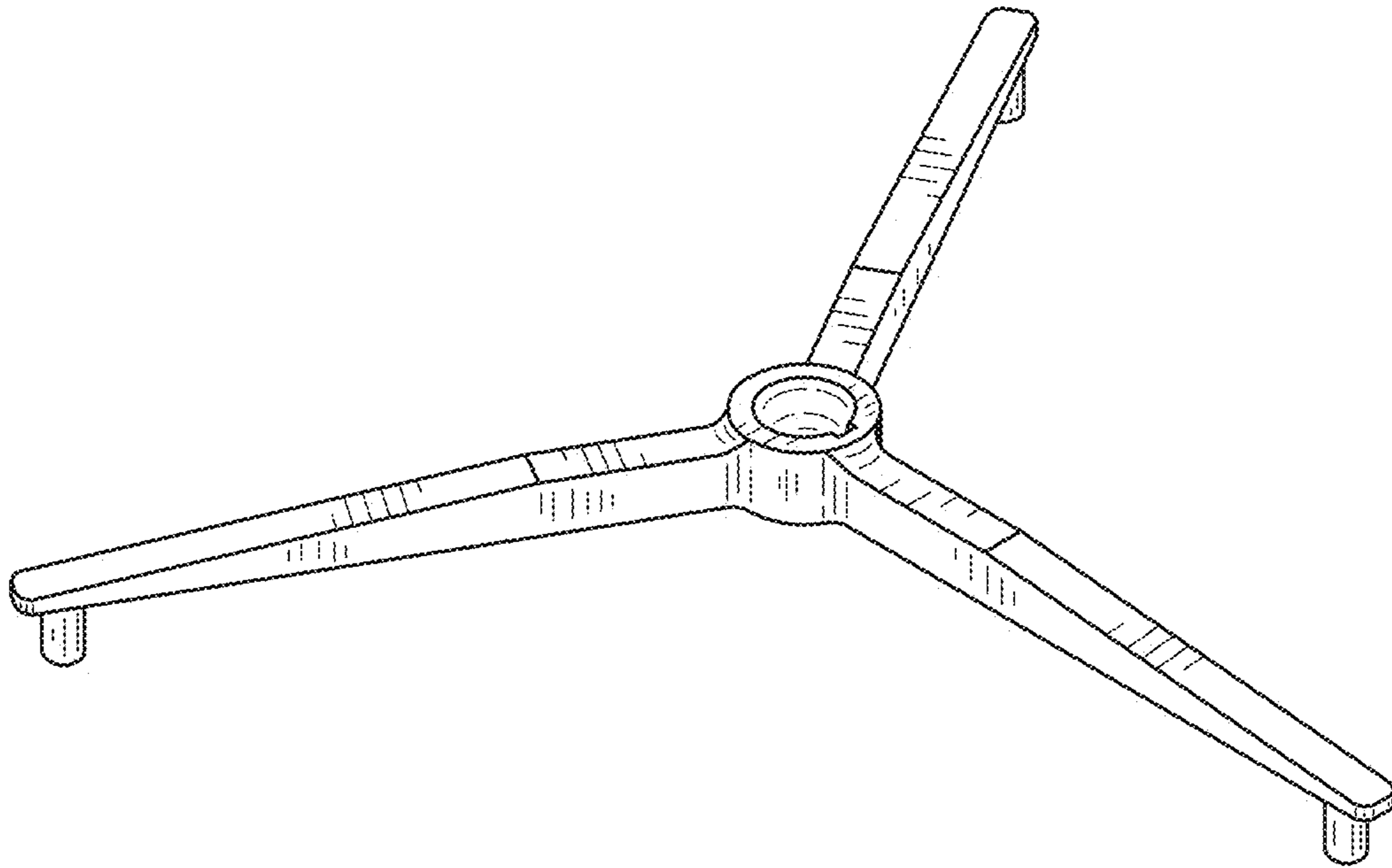


FIG. 10

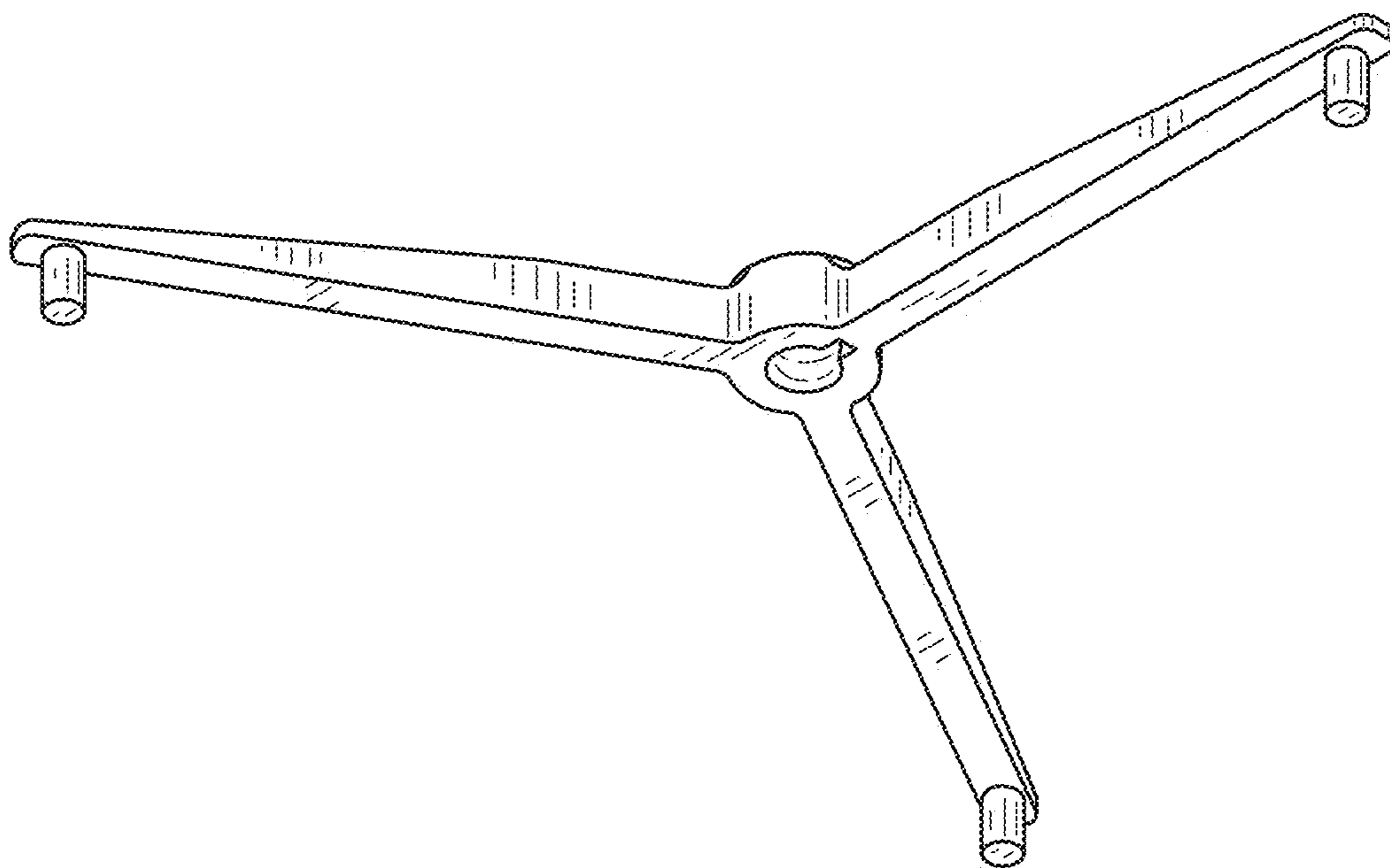


FIG. 11

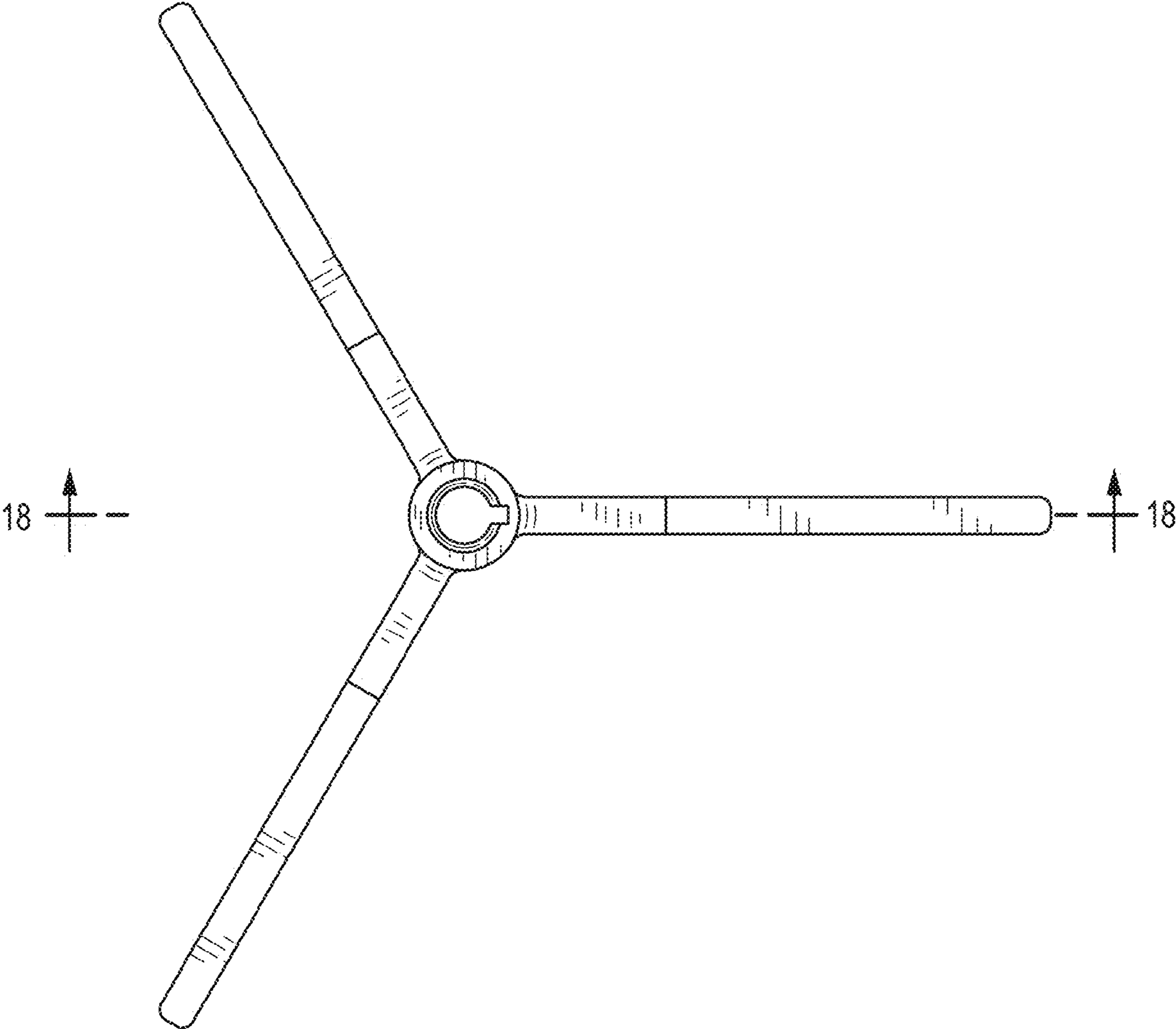


FIG.12

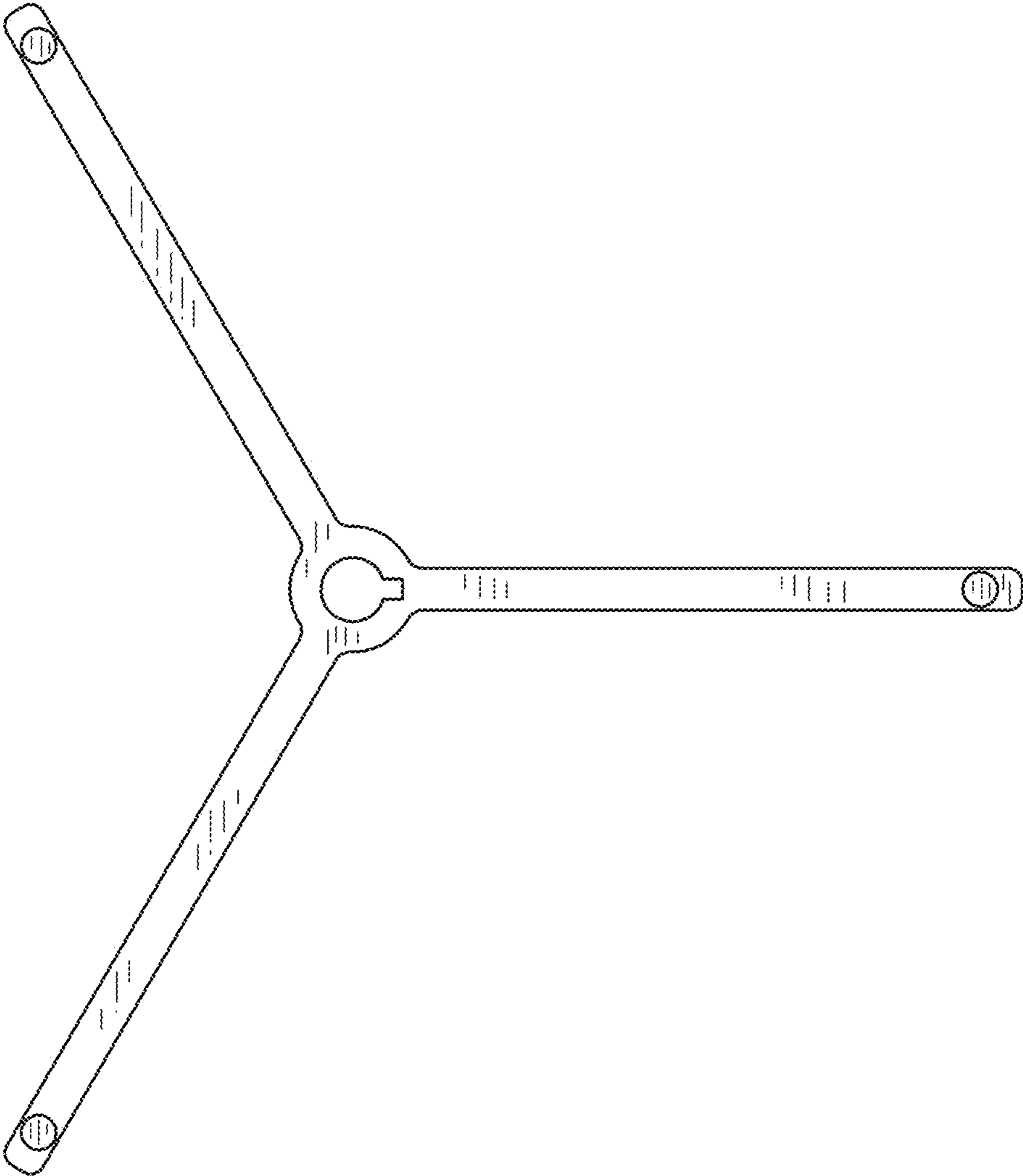


FIG.13

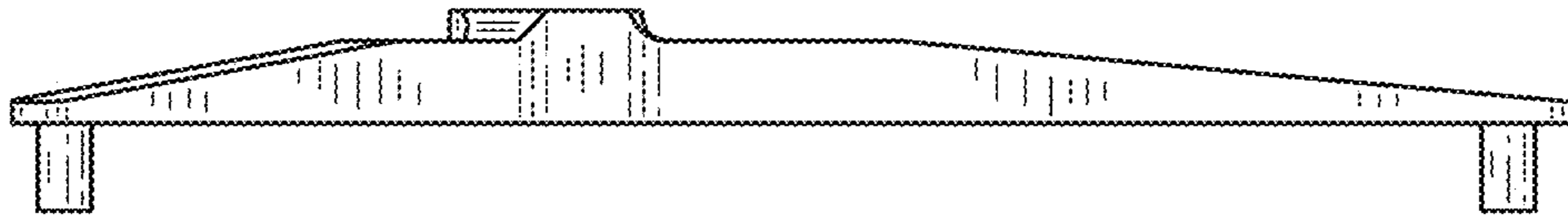


FIG. 14

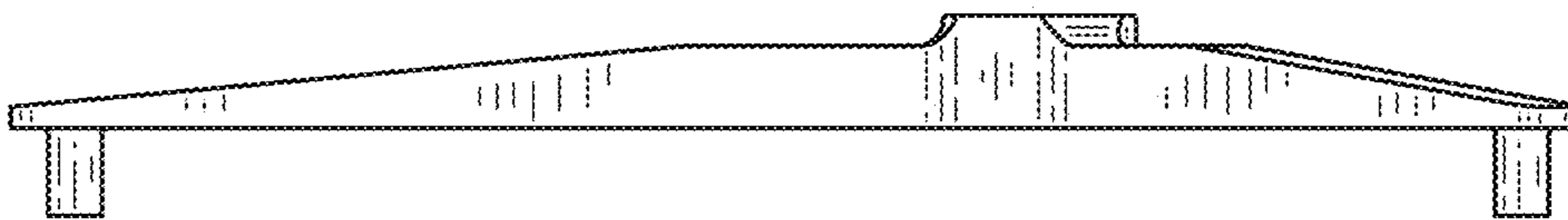


FIG. 15

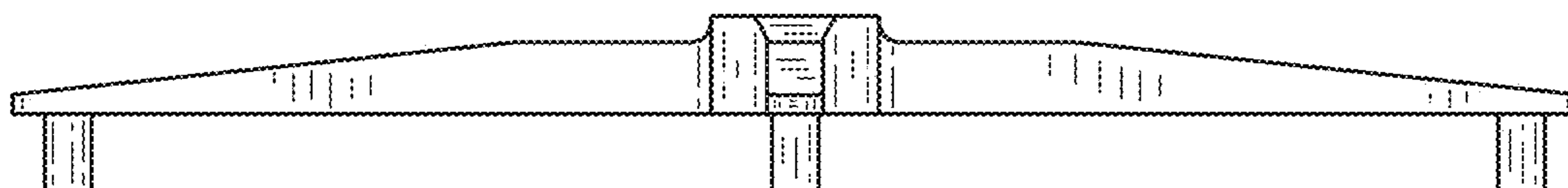


FIG. 16

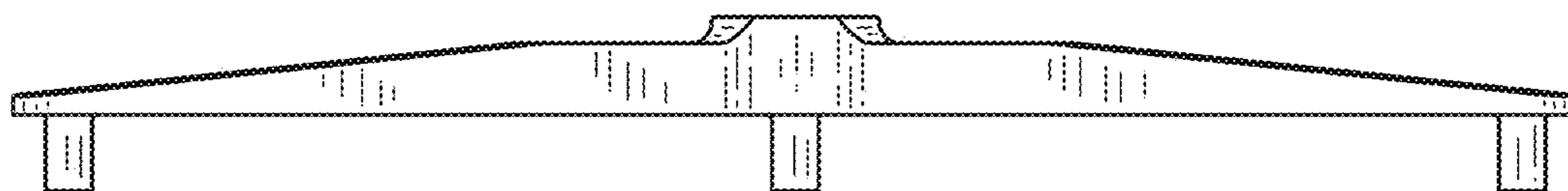


FIG. 17

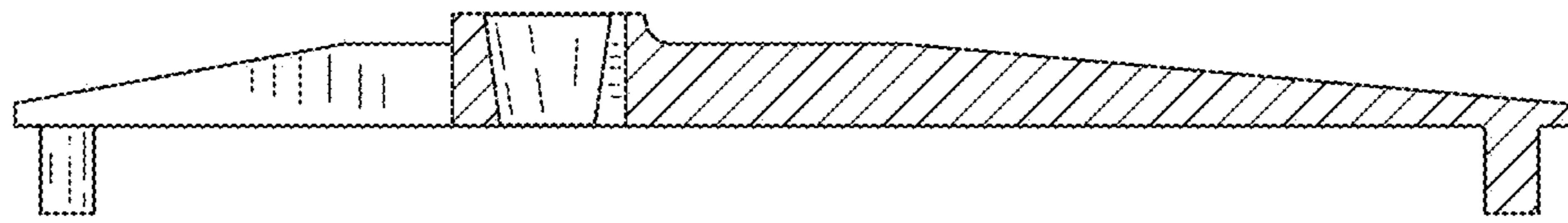


FIG.18