



US00D965523S

(12) **United States Design Patent** (10) **Patent No.:** **US D965,523 S**
Simon et al. (45) **Date of Patent:** **** Oct. 4, 2022**

(54) **GENERATOR**

(71) Applicant: **Cummins Generator Technologies Limited**, Peterborough (GB)
(72) Inventors: **Kevan John Simon**, Whitstable (GB); **Neil Brown**, Holbeach (GB); **Sridhar Narayanan**, Stamford (GB); **Robert Mitchell Rolston**, Oakham (GB); **Philip Bend**, Grantham (GB); **Peethamparam Anpalahan**, Brentwood (GB)
(73) Assignee: **Cummins Generator Technologies Limited**, Peterborough (GB)

(**) Term: **15 Years**
(21) Appl. No.: **29/726,884**
(22) Filed: **Mar. 6, 2020**

Related U.S. Application Data

(62) Division of application No. 29/608,229, filed on Jun. 20, 2017, now Pat. No. Des. 879,717.

(30) **Foreign Application Priority Data**

Apr. 18, 2017 (EM) 003861012
May 18, 2017 (EM) 004008076

(51) **LOC (13) Cl.** **13-03**
(52) **U.S. Cl.**
USPC **D13/112**

(58) **Field of Classification Search**
USPC D13/112, 101, 110, 113–116, 122, 184, D13/199; D15/3, 5, 199
CPC . F02B 63/04; H02K 3/24; H02K 3/47; H02K 9/04; H02K 7/1815; F01D 15/10
See application file for complete search history.

(56) **References Cited**

U.S. PATENT DOCUMENTS

D160,713 S	10/1950	Karstadt
D173,547 S	11/1954	Sundberg
D198,374 S	6/1964	Willits
D201,362 S	6/1965	Crouse et al.
D236,005 S	7/1975	Baumann et al.
D236,985 S	9/1975	Baumann
D294,141 S	2/1988	Ueda et al.
D314,550 S	2/1991	Sieber
D314,742 S	2/1991	Sieber
D332,081 S	12/1992	Sieber
D336,890 S	6/1993	Hirose et al.
D401,553 S	11/1998	Pearce et al.

(Continued)

FOREIGN PATENT DOCUMENTS

CN	300744741	*	2/2008
CN	304414229.8		12/2017

(Continued)

Primary Examiner — Bridget L Eland
(74) *Attorney, Agent, or Firm* — Foley & Lardner LLP

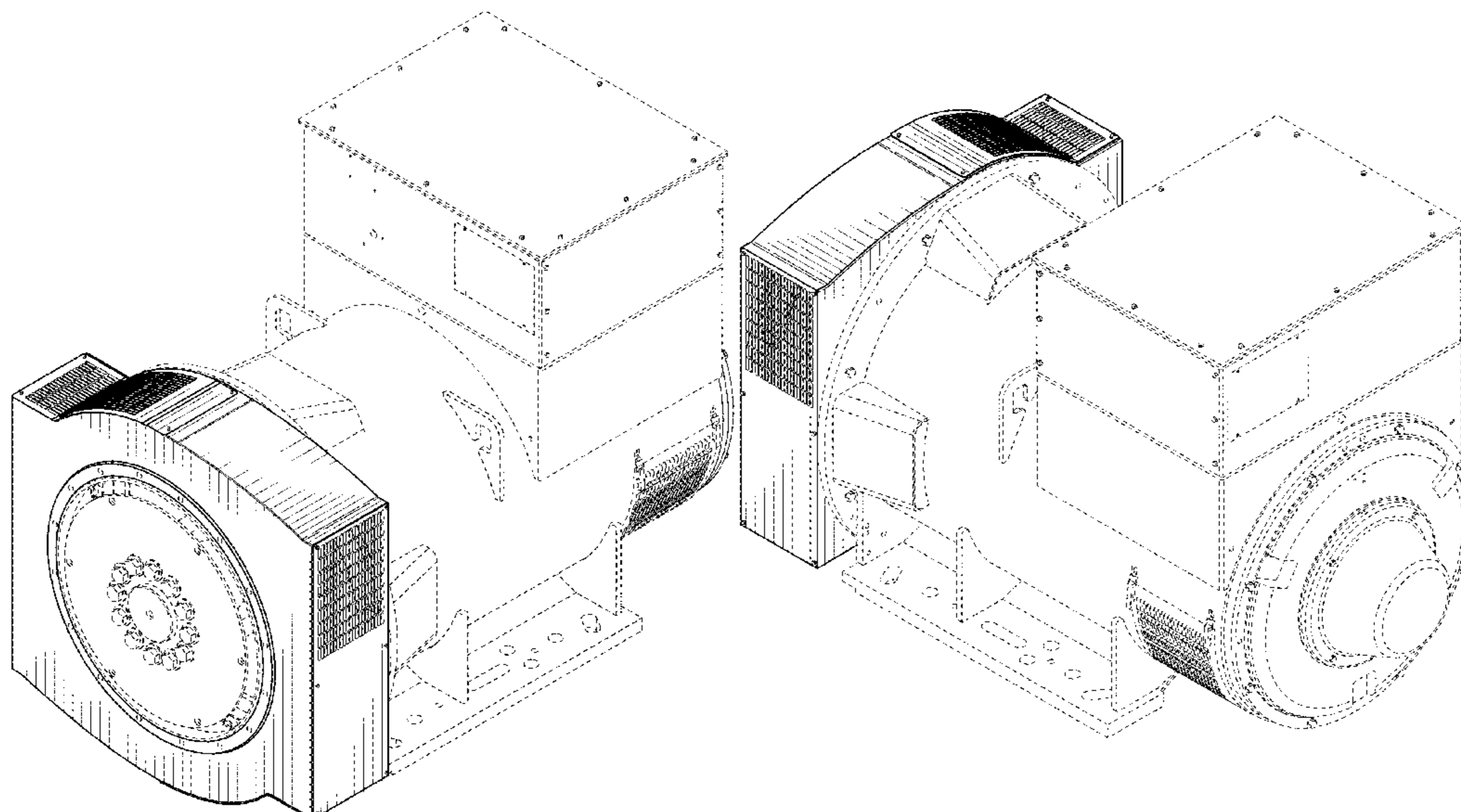
(57) **CLAIM**

We claim the ornamental design for a generator, as shown and described.

DESCRIPTION

FIG. 1 is a top, front, right perspective view of a generator showing our new design;
FIG. 2 is a top, rear, right perspective view thereof;
FIG. 3 is a front elevational view thereof;
FIG. 4 is a rear elevational view thereof;
FIG. 5 is a left side elevational view thereof;
FIG. 6 is a right side elevational view thereof;
FIG. 7 is a top plan view thereof; and,
FIG. 8 is a bottom plan view thereof.
The broken lines in the drawings show portions of the generator that form no part of the claimed design.

1 Claim, 8 Drawing Sheets



(56)	References Cited			CN	304553618.4	3/2018
	U.S. PATENT DOCUMENTS			CN	304898425.0	11/2018
	D568,811 S	5/2008	Andersson et al.	CN	304973982.9	1/2019
	D568,812 S	5/2008	Andersson et al.	GB	6 014 177	6/2017
	D576,548 S	9/2008	Andersson et al.	GB	6 014 178	6/2017
	D696,628 S	12/2013	Hutchinson et al.	GB	6 014 180	6/2017
	D729,732 S	5/2015	Kasaba et al.	GB	6 014 190	6/2017
	D731,424 S	6/2015	Kasaba et al.	GB	6 014 191	6/2017
	D735,135 S	7/2015	Todd et al.	GB	6 014 192	6/2017
	D753,590 S	4/2016	Yamada et al.	GB	6 014 194	6/2017
	D754,066 S	4/2016	Yamada et al.	GB	6 014 195	6/2017
	D766,828 S	9/2016	Yamada et al.	GB	6 014 196	6/2017
	D768,079 S	10/2016	Yamada et al.	GB	6 014 197	6/2017
	D769,191 S	10/2016	Vohlgemuth et al.	GB	6014179	* 6/2017
	D772,814 S	11/2016	Rivault et al.	GB	6014193	* 6/2017
	D780,119 S	2/2017	Schieck	ID	0000007422-0001	11/2004
	D794,563 S	8/2017	Matta et al.	IN	294880-0001	3/2018
	D813,164 S	3/2018	Kaneko	IN	294925-0001	3/2018
	D813,811 S	3/2018	Courtois et al.	IN	294885-0001	4/2018
	D845,236 S	4/2019	Grillenberger et al.	IN	294926-0001	4/2018
	D879,037 S *	3/2020	Simon D13/112	IN	294887-0001	6/2018
	D879,717 S *	3/2020	Simon D13/112	IN	294884-0001	10/2018
	D924,799 S *	7/2021	Simon D13/112	IN	294886-0001	10/2018
	2019/0123618 A1	4/2019	Agrawal et al.	IN	294883-0001	11/2018
	FOREIGN PATENT DOCUMENTS			IN	294928-0001	12/2018
				IN	294882-0001	6/2019
CN	304449752.5	1/2018				
CN	304524311.X	3/2018				

* cited by examiner

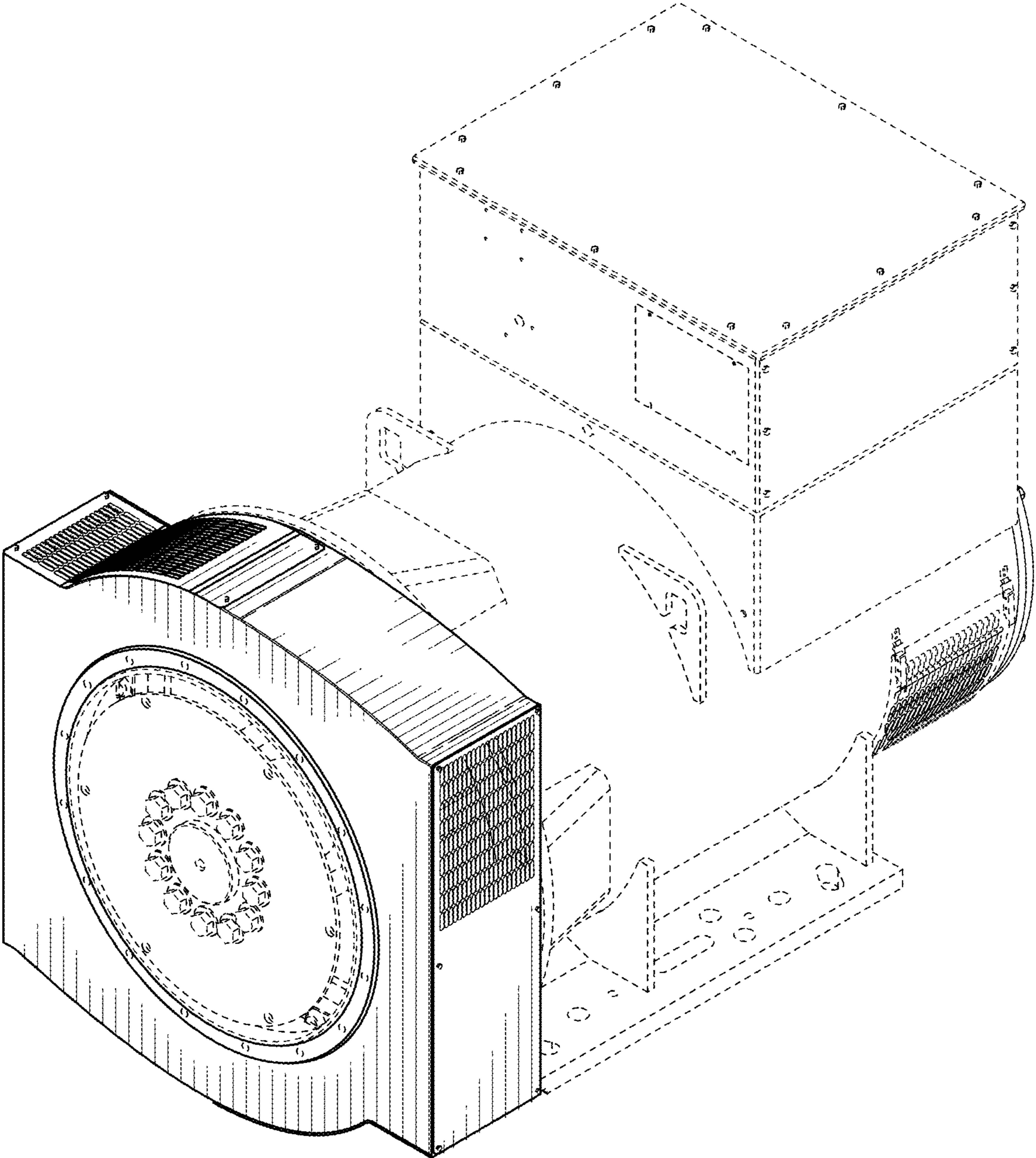


FIG. 1

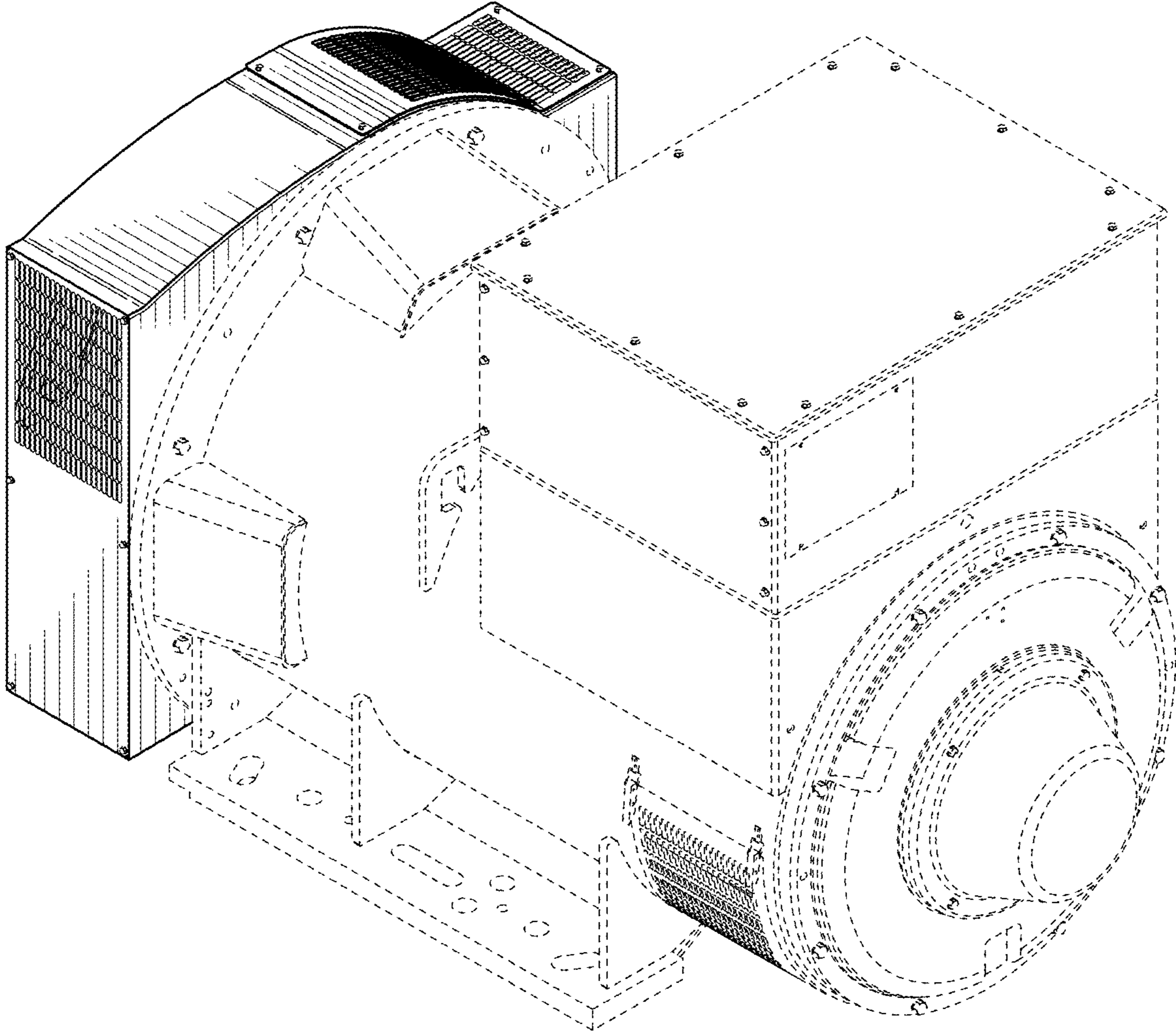


FIG. 2

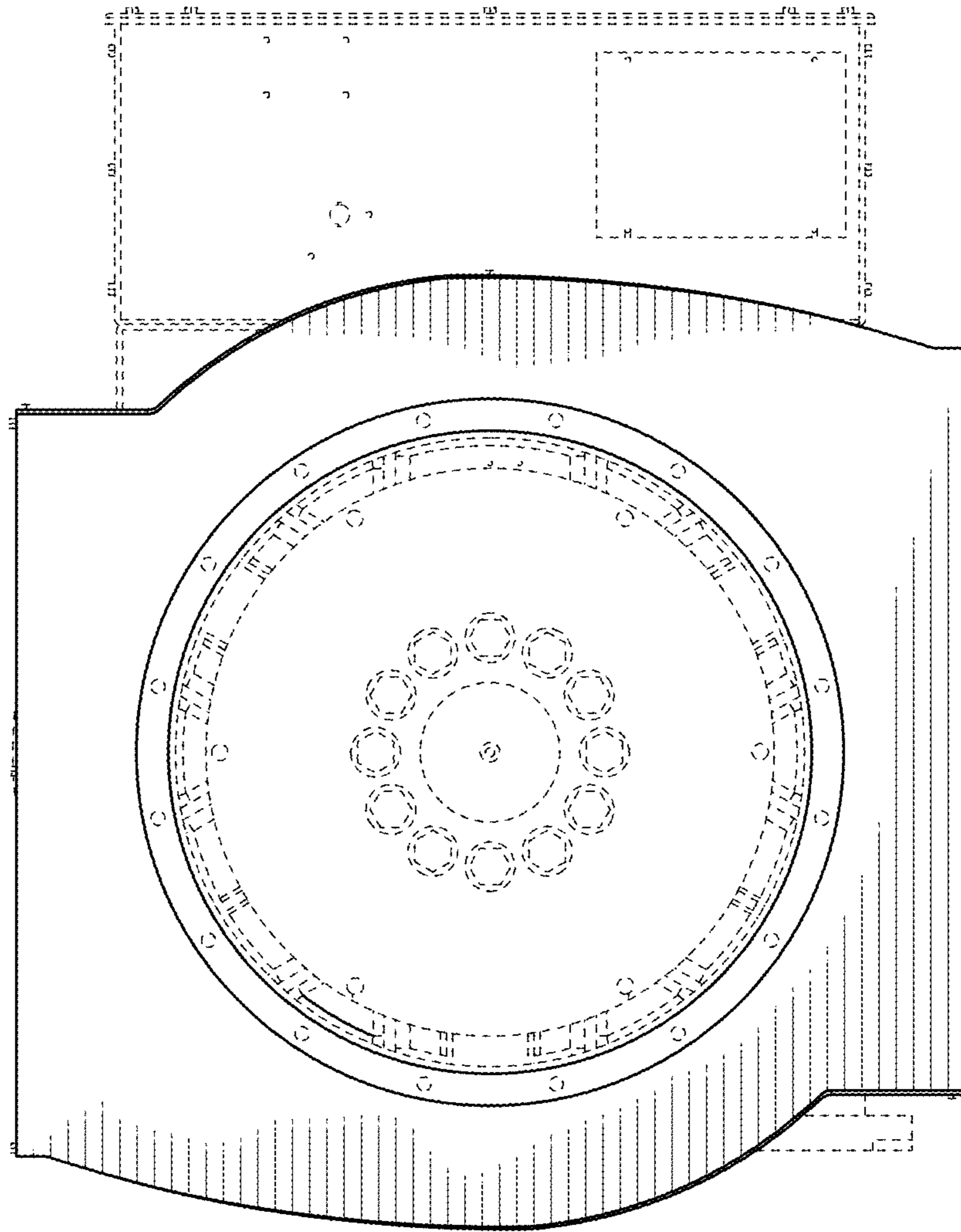


FIG. 3

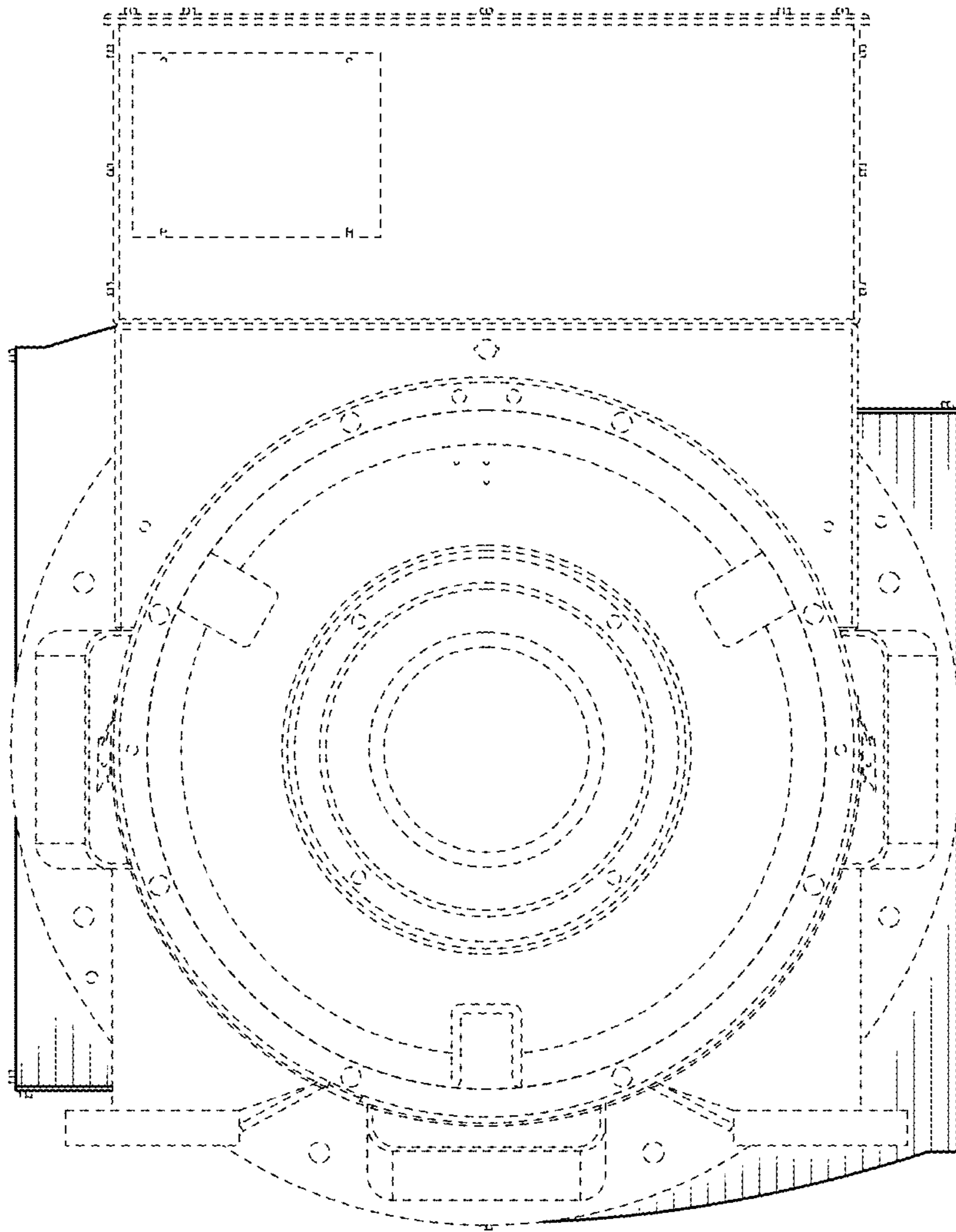


FIG. 4

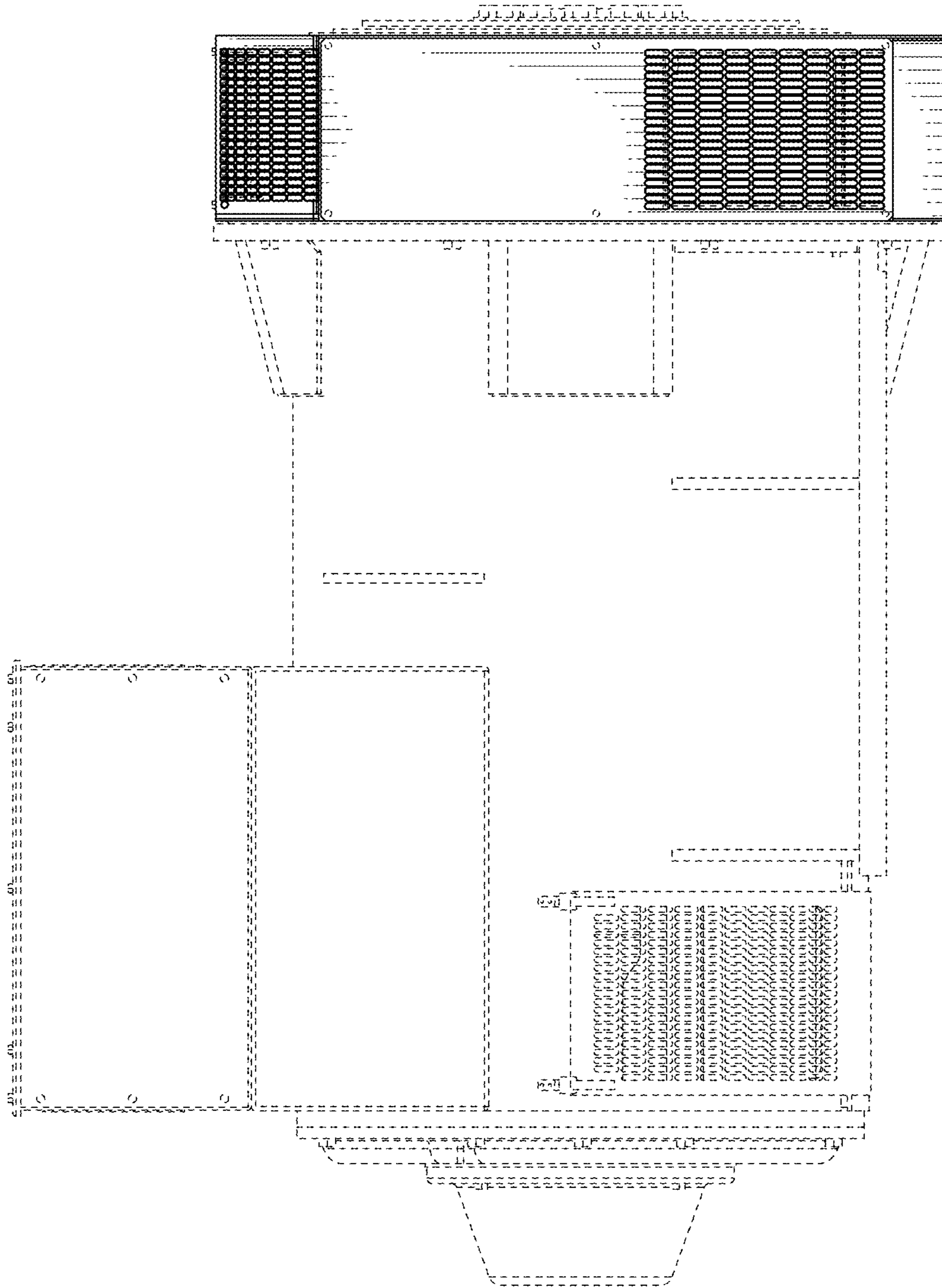


FIG. 5

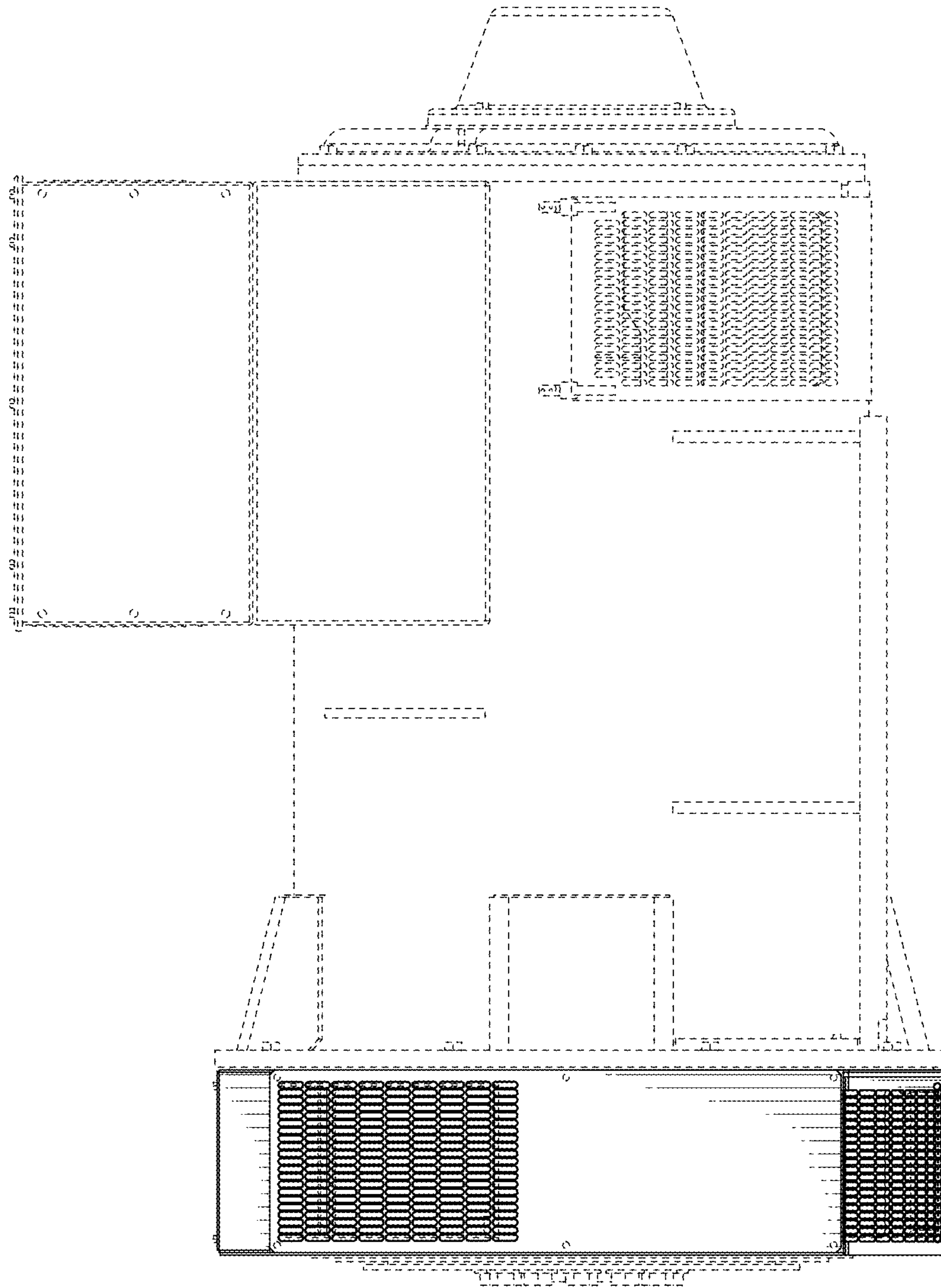


FIG. 6

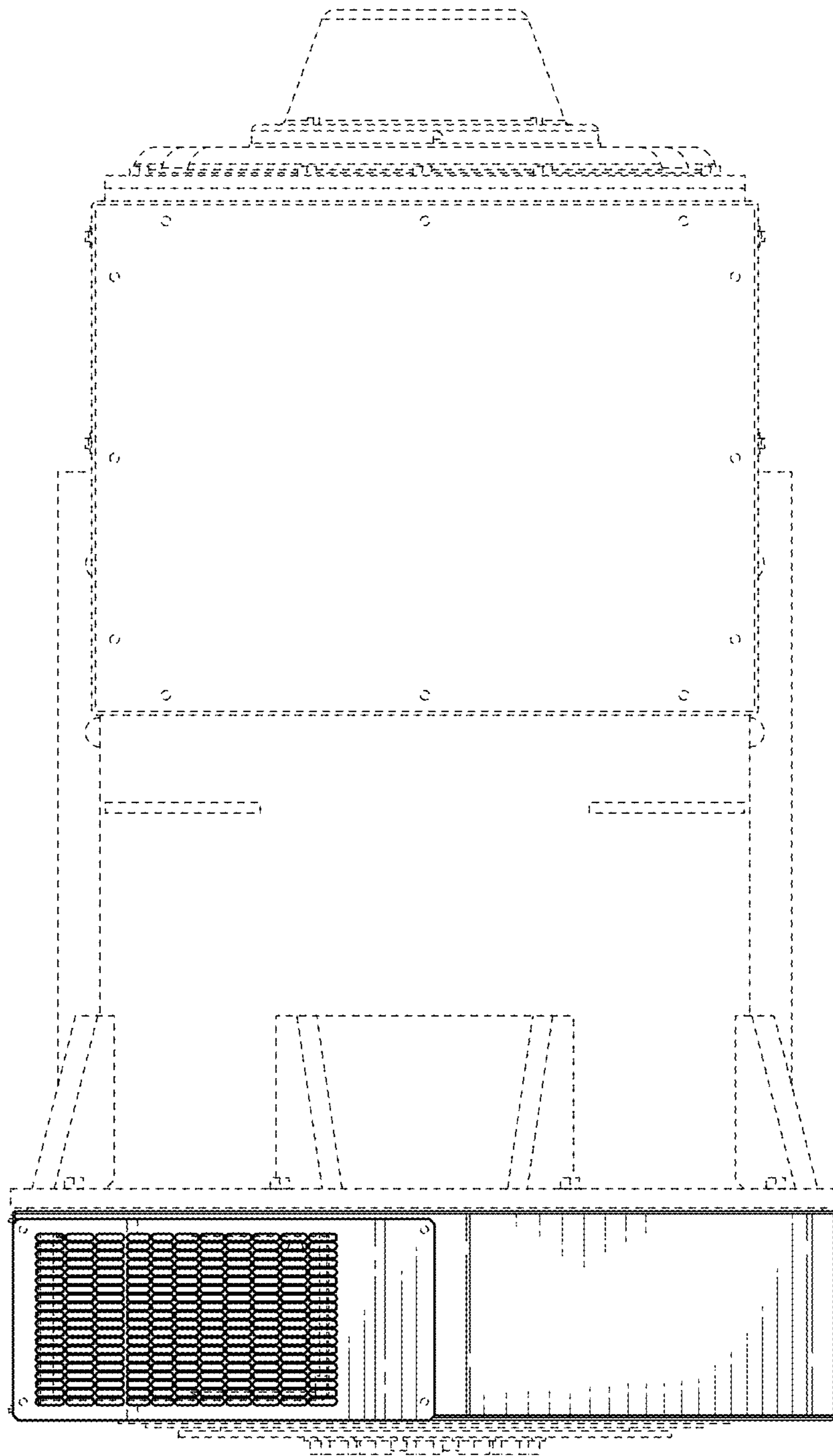


FIG. 7

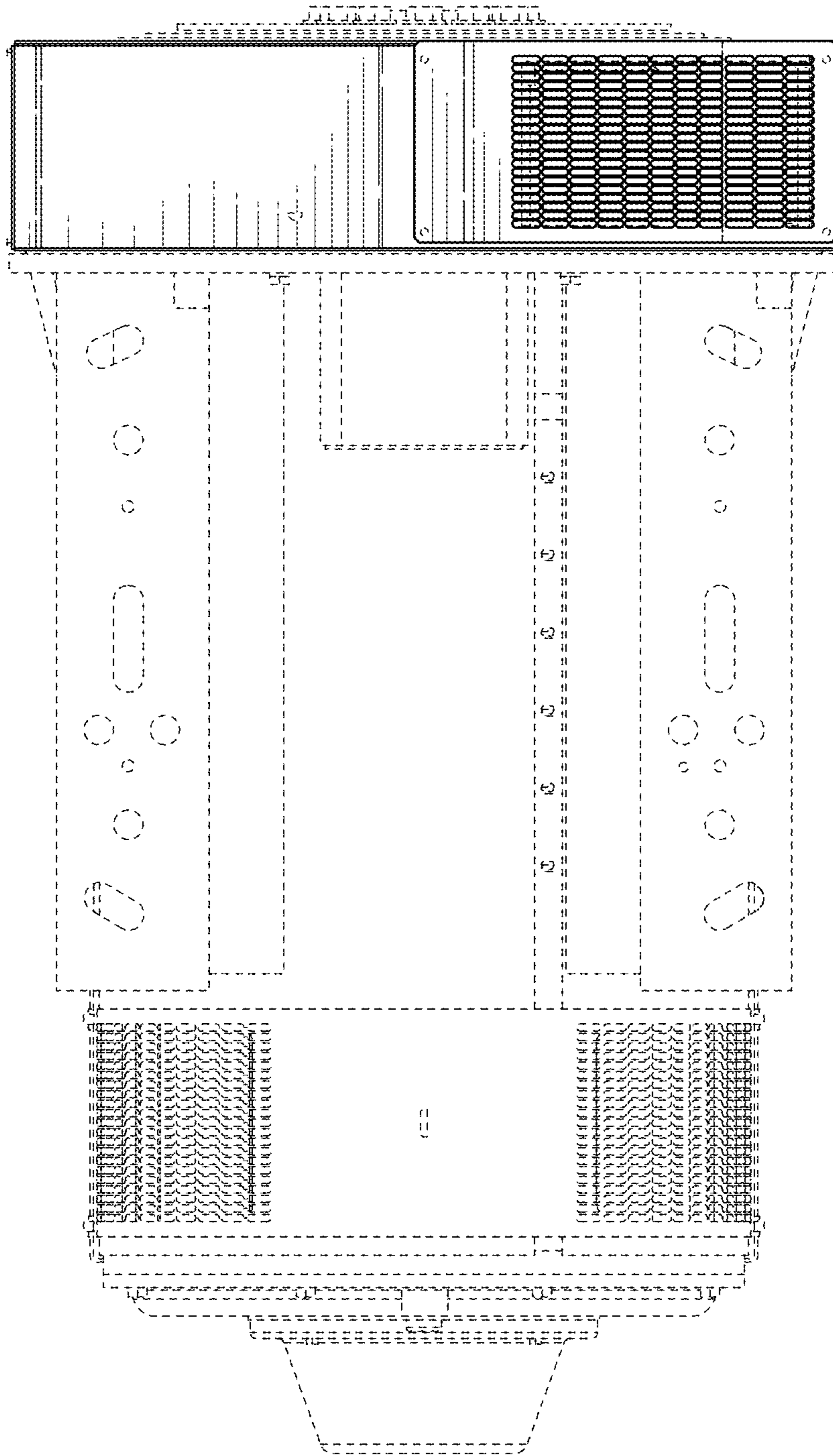


FIG. 8