

US00D965518S

(12) **United States Design Patent**  
**Liu**

(10) **Patent No.:** **US D965,518 S**

(45) **Date of Patent:** **\*\* Oct. 4, 2022**

- (54) **CHARGING STAND**
- (71) Applicant: **Hong Mei**, Guangdong (CN)
- (72) Inventor: **Guangyong Liu**, Guangdong (CN)
- (\*\*) Term: **15 Years**
- (21) Appl. No.: **29/786,844**
- (22) Filed: **Jun. 3, 2021**
- (51) **LOC (13) Cl.** ..... **13-02**
- (52) **U.S. Cl.**  
USPC ..... **D13/108**
- (58) **Field of Classification Search**  
USPC ..... D13/107-110, 118, 119, 184, 199, 151,  
D13/153, 154, 155, 144, 133, 147;  
D14/433  
CPC ..... Y02E 60/12; H02J 7/025; H02J 7/0042;  
H02J 7/0044; H02J 7/0045; H02J 7/0003;  
H02J 7/0027; H02J 7/0013; H02J 7/0054;  
H02J 7/00; H02J 2001/008; H02J 3/32;  
H02J 3/008; H01F 38/14; H01R 13/6675;  
H01M 2/1022; H01M 2/1055; H01M  
10/44; H01M 10/46; H01M 10/425; B60L  
11/182; B60L 11/1809; B60L 11/1861;  
B60R 16/03  
See application file for complete search history.

- D887,977 S \* 6/2020 Weinstein ..... H02J 7/0045  
D13/108
- D888,659 S 6/2020 Zhang et al.
- D917,390 S 4/2021 Tung
- D920,908 S \* 6/2021 Qiu ..... D13/108
- D927,233 S \* 8/2021 Lee ..... D6/682
- D928,702 S \* 8/2021 Liao ..... D13/108
- D933,594 S \* 10/2021 Zhang ..... D13/108
- D933,598 S \* 10/2021 Zhang ..... D13/108
- D935,402 S \* 11/2021 Qiu ..... D13/108
- D936,579 S \* 11/2021 Wang ..... D24/217
- D938,434 S \* 12/2021 Lee ..... D14/447
- D943,514 S \* 2/2022 May ..... D13/102
- D943,522 S \* 2/2022 Feng ..... D13/108
- 2019/0115776 A1\* 4/2019 Lee ..... A61B 5/6898

\* cited by examiner

*Primary Examiner* — Christy Nemeth  
(74) *Attorney, Agent, or Firm* — SciNova IP and  
Regulatory Consulting LLC; Jingfeng Song

(57) **CLAIM**

The ornamental design for a charging stand, as shown and described.

**DESCRIPTION**

FIG. 1 is a perspective view of a charging stand, showing my design.

FIG. 2 is a front elevation view thereof.

FIG. 3 is a rear elevation view thereof.

FIG. 4 is a left side elevation view thereof.

FIG. 5 is a right side elevation view thereof.

FIG. 6 is a top plan view thereof; and,

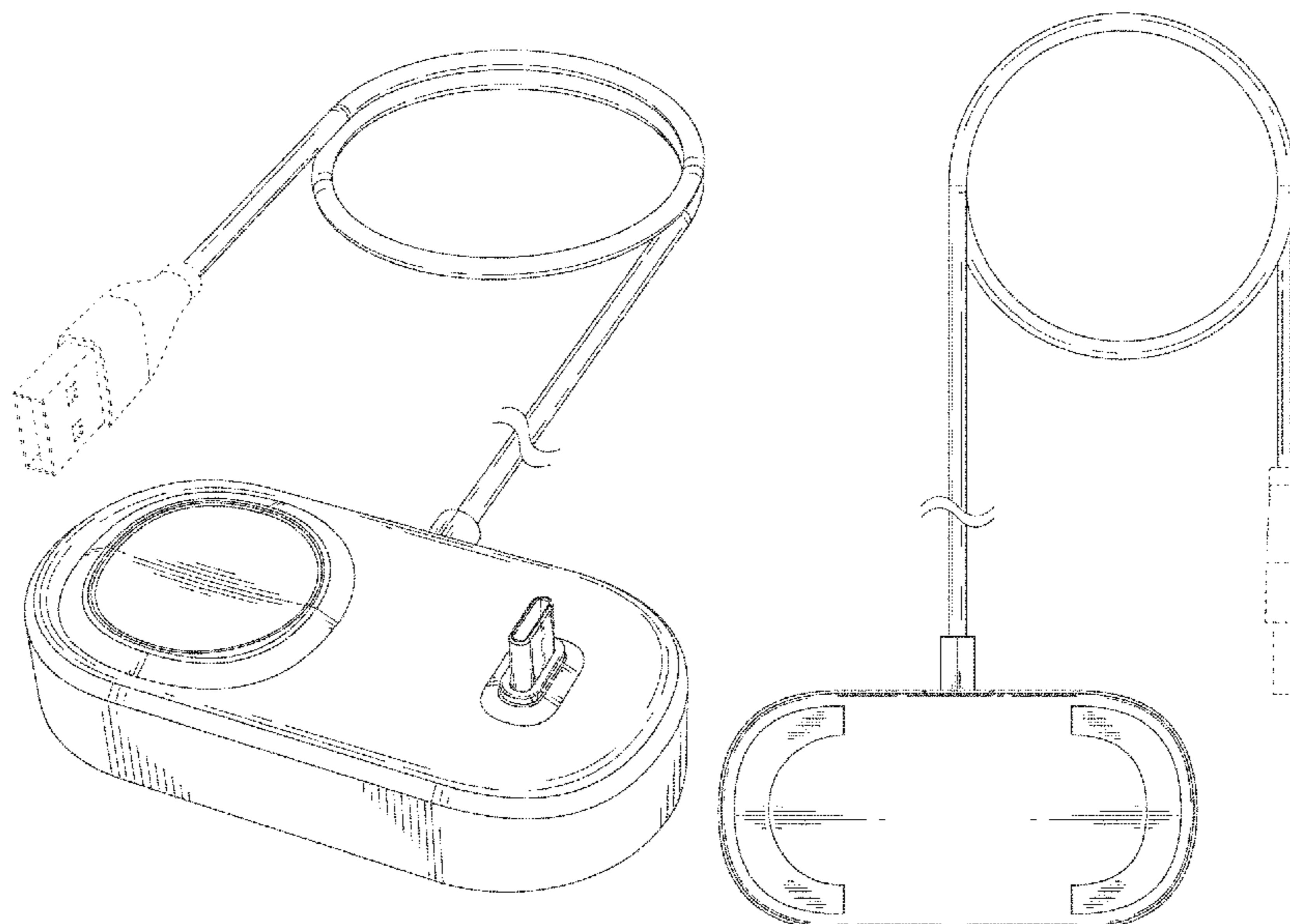
FIG. 7 is a bottom plan view thereof.

The broken lines in the drawings illustrate portions of the article that form no part of the claimed design. The cable of the charging stand is shown with a symbolic break in its length. The appearance of any portion of the cable between the break lines forms no part of the claimed design.

**1 Claim, 7 Drawing Sheets**

(56) **References Cited**  
U.S. PATENT DOCUMENTS

- D673,908 S 1/2013 Koch
- D735,131 S 7/2015 Akana et al.
- D741,797 S 10/2015 Liu
- D798,807 S 10/2017 Shi et al.
- D859,307 S 9/2019 Campos
- D875,670 S 2/2020 Natsume et al.
- D875,671 S 2/2020 Natsume et al.
- D875,672 S 2/2020 Natsume et al.
- D877,069 S 3/2020 Kern et al.
- D883,200 S 5/2020 Wong et al.



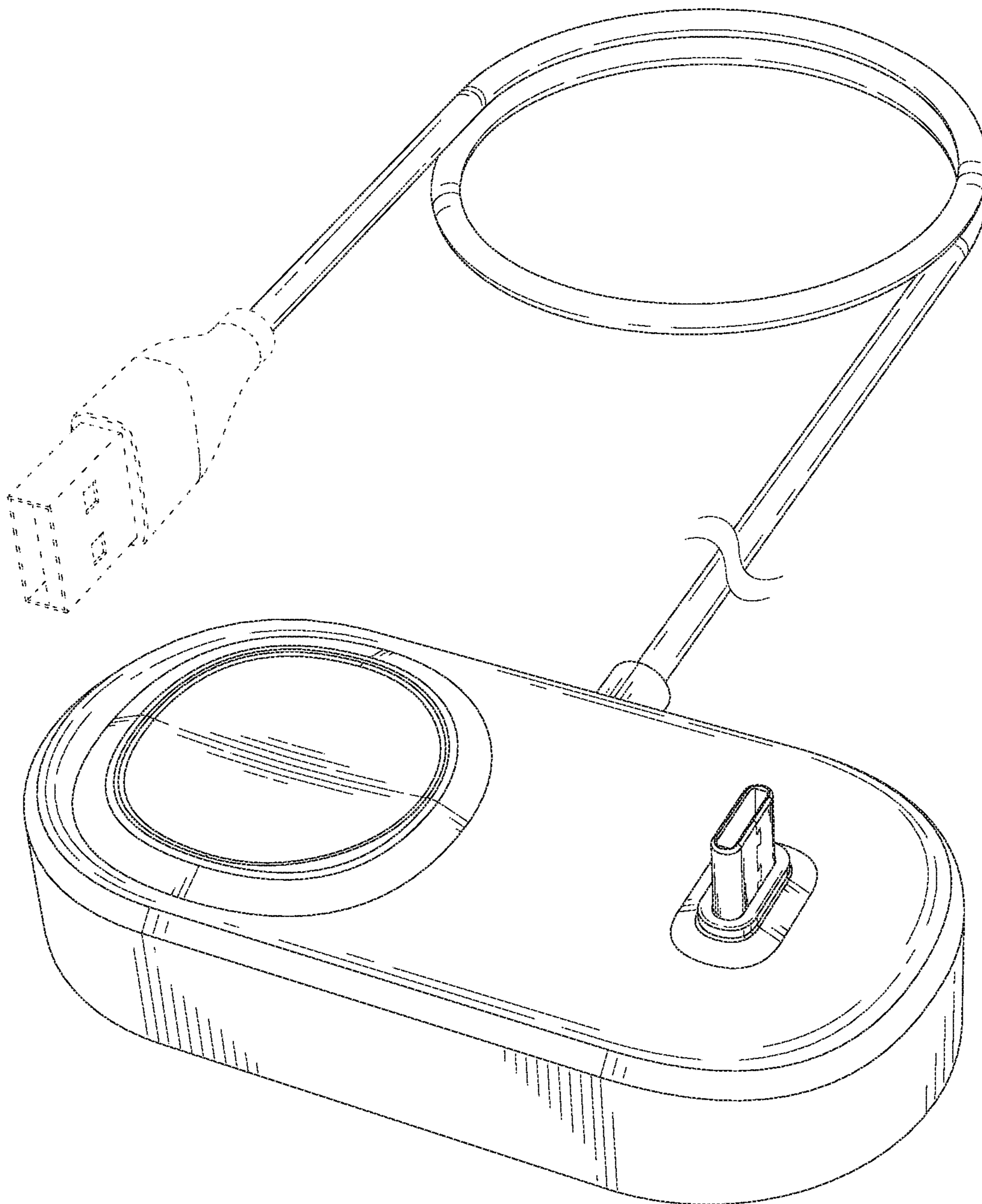


FIG.1

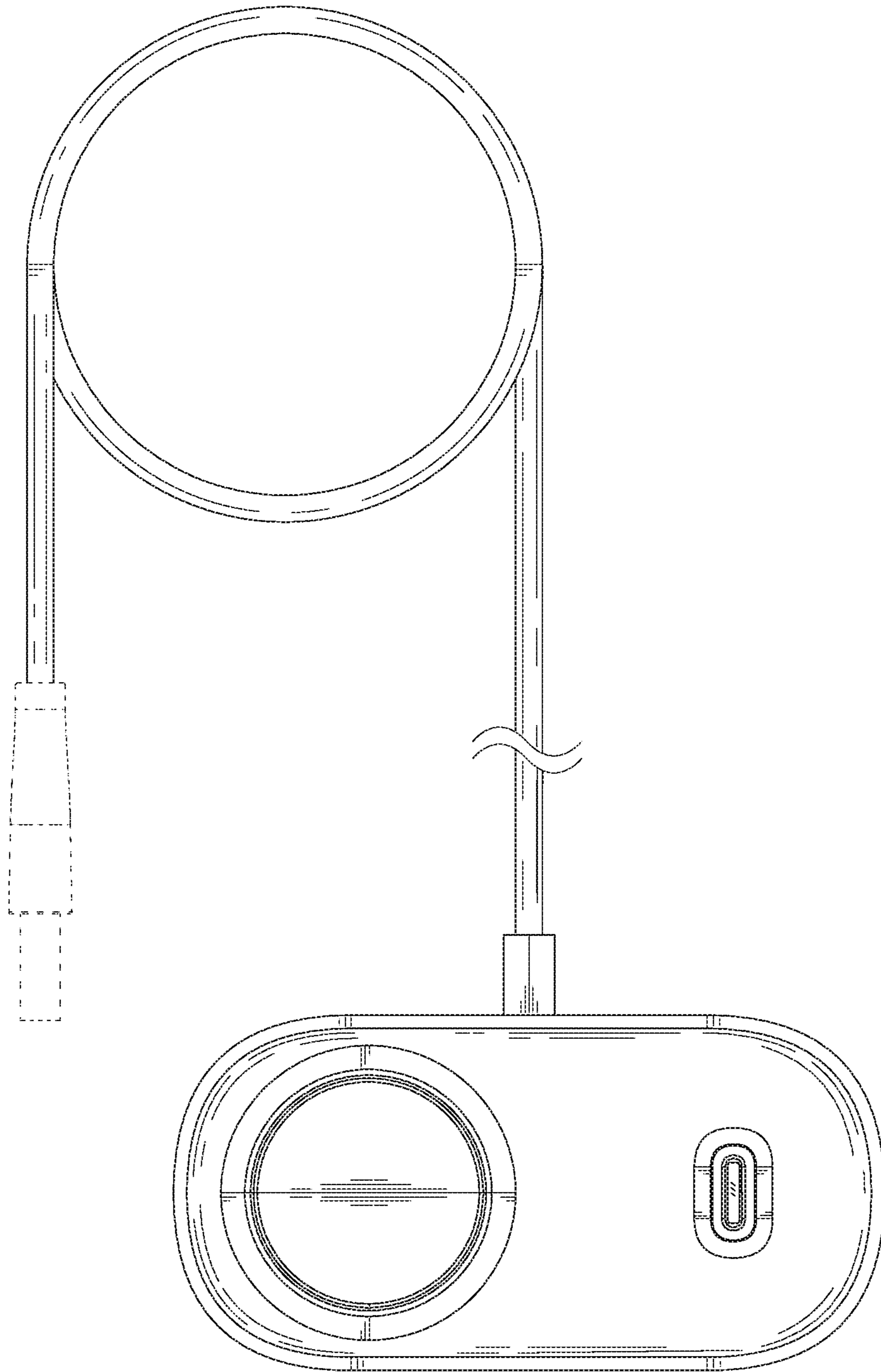


FIG.2

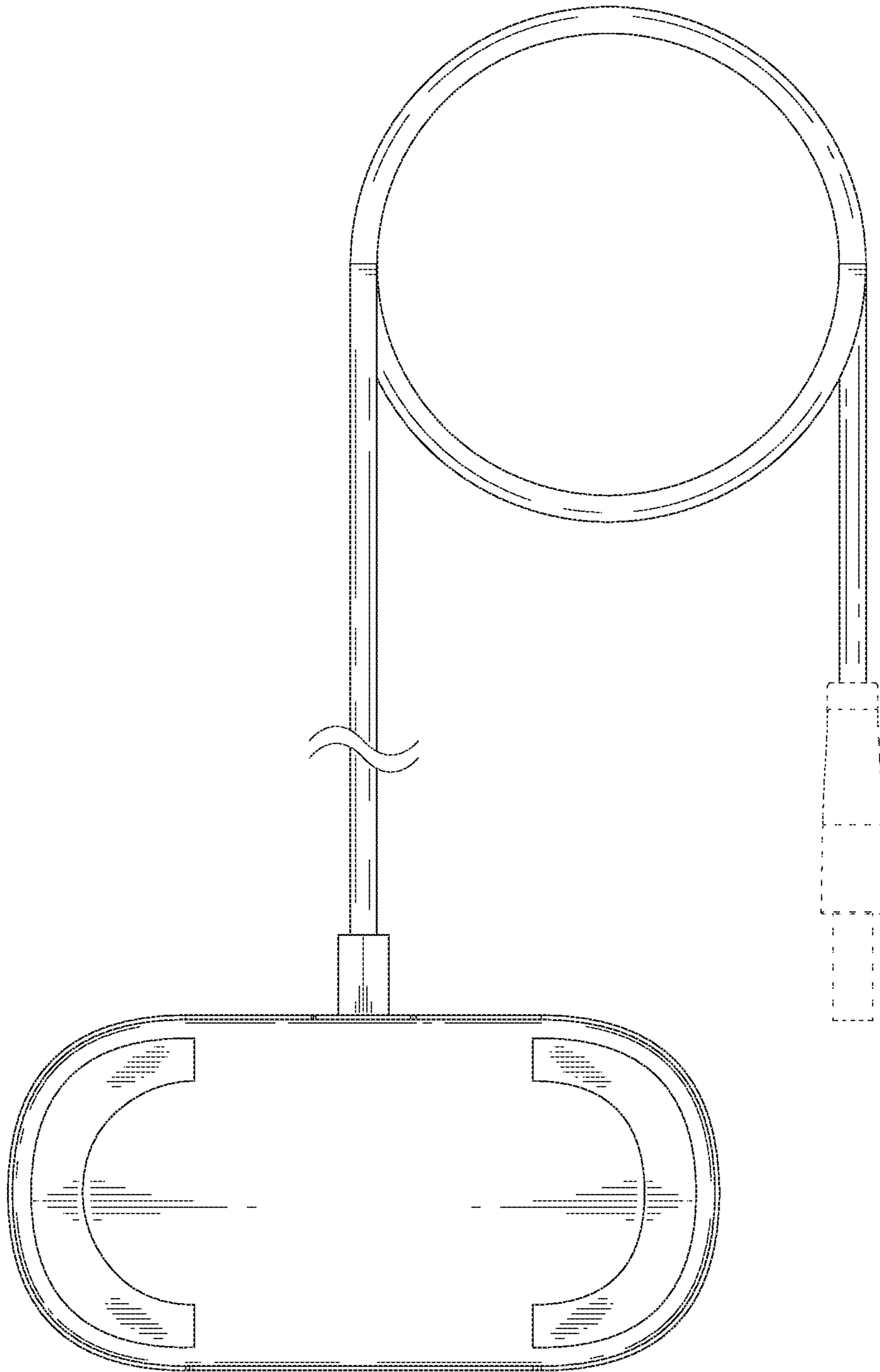


FIG.3

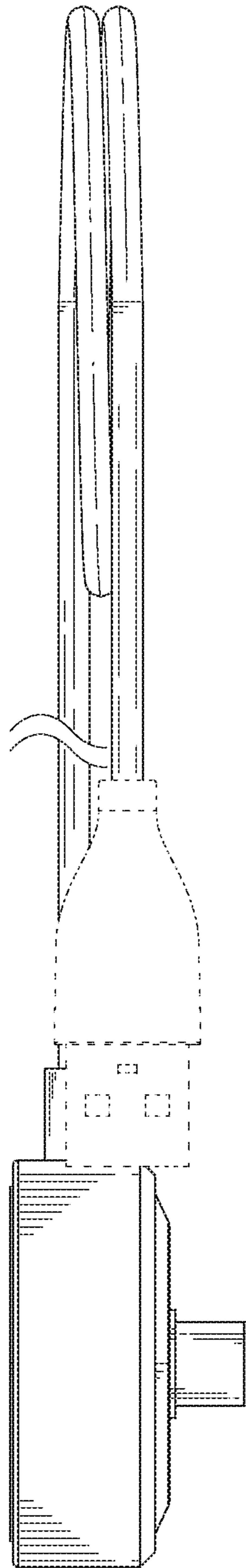


FIG.4

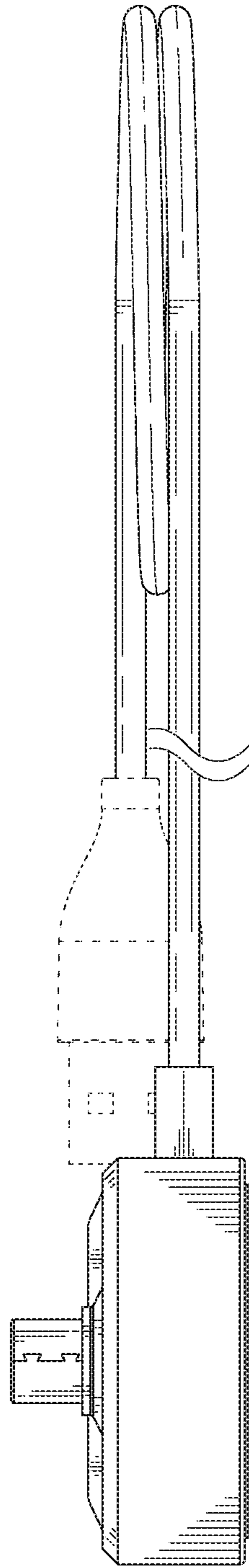


FIG.5

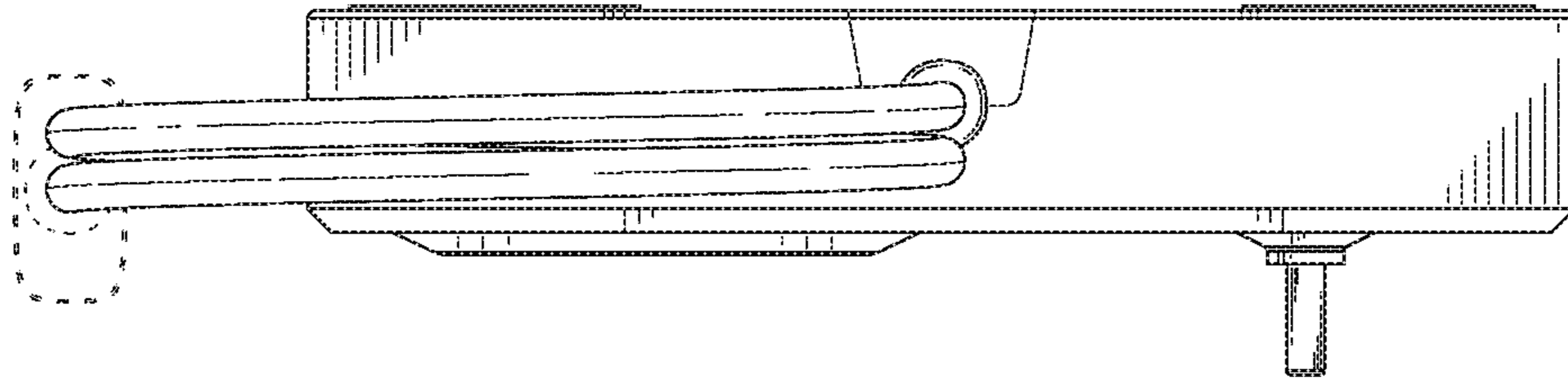


FIG.6

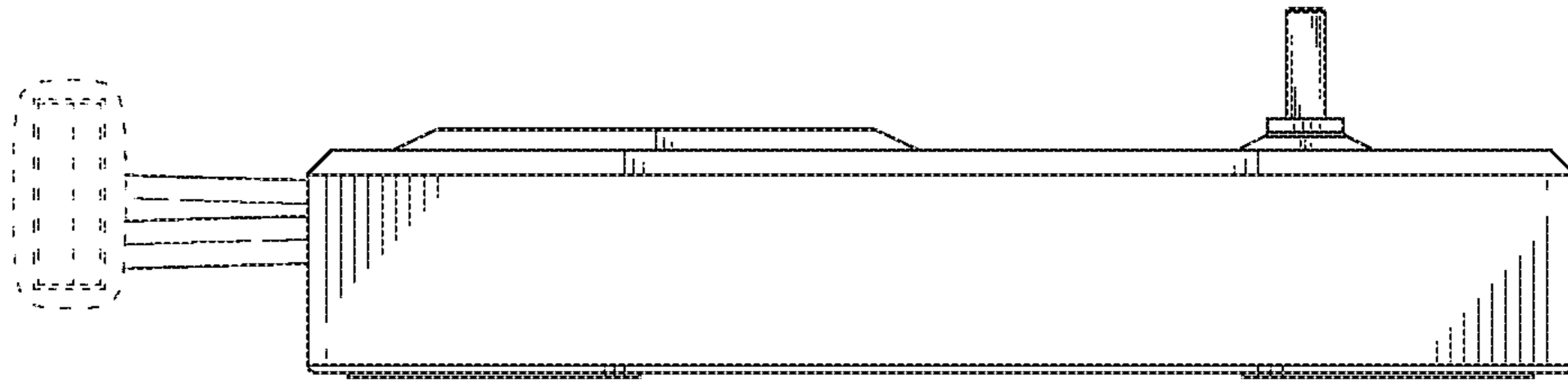


FIG.7