



US00D965516S

(12) **United States Design Patent**
Runge

(10) **Patent No.:** **US D965,516 S**

(45) **Date of Patent:** **** Oct. 4, 2022**

(54) **BATTERY UNIT CHARGER**

(71) Applicant: **Jack W. Runge**, Rising Fawn, GA (US)

(72) Inventor: **Jack W. Runge**, Rising Fawn, GA (US)

(**) Term: **15 Years**

(21) Appl. No.: **29/805,595**

(22) Filed: **Aug. 27, 2021**

(51) **LOC (13) Cl.** **13-02**

(52) **U.S. Cl.**
USPC **D13/107**

(58) **Field of Classification Search**
USPC D13/101, 103, 104, 105, 106, 107, 109,
D13/110, 118, 119, 120, 184, 199;
D9/423, 424, 432; D12/423
CPC .. H01M 10/46; H01M 10/425; H01M 10/482;
H01M 10/615; H01M 10/0525; F02N
11/087; F02N 11/12; B60L 53/14; H01R
33/955; H02J 7/0029; H02J 7/0034; H02J
7/0054; H02J 7/0042; H02J 7/34; H02J
7/342; H02J 7/1461
See application file for complete search history.

(56) **References Cited**

U.S. PATENT DOCUMENTS

D400,850	S	*	11/1998	Coleman	D13/107
D511,743	S	*	11/2005	Hriscu	D13/107
7,199,555	B2		4/2007	Hung		
D543,503	S	*	5/2007	Suzuki	D13/110
D602,857	S	*	10/2009	Melzner	D13/103
D608,730	S	*	1/2010	Gamboia	D13/103
8,138,714	B1	*	3/2012	Chan	H01M 10/46 320/103

D727,254	S	*	4/2015	Kinoshita	D13/103
D766,821	S	*	9/2016	Chan	D13/107
10,243,382	B2		3/2019	Liao et al.		
10,432,004	B2		10/2019	Rumbaugh et al.		
D911,266	S	*	2/2021	Kim	D13/103
2019/0036286	A1	*	1/2019	Yang	H01M 10/488
2019/0229544	A1		7/2019	Nskeep et al.		

* cited by examiner

Primary Examiner — Derrick E Holland

(74) *Attorney, Agent, or Firm* — Suzanne Kikel, Patent Agent

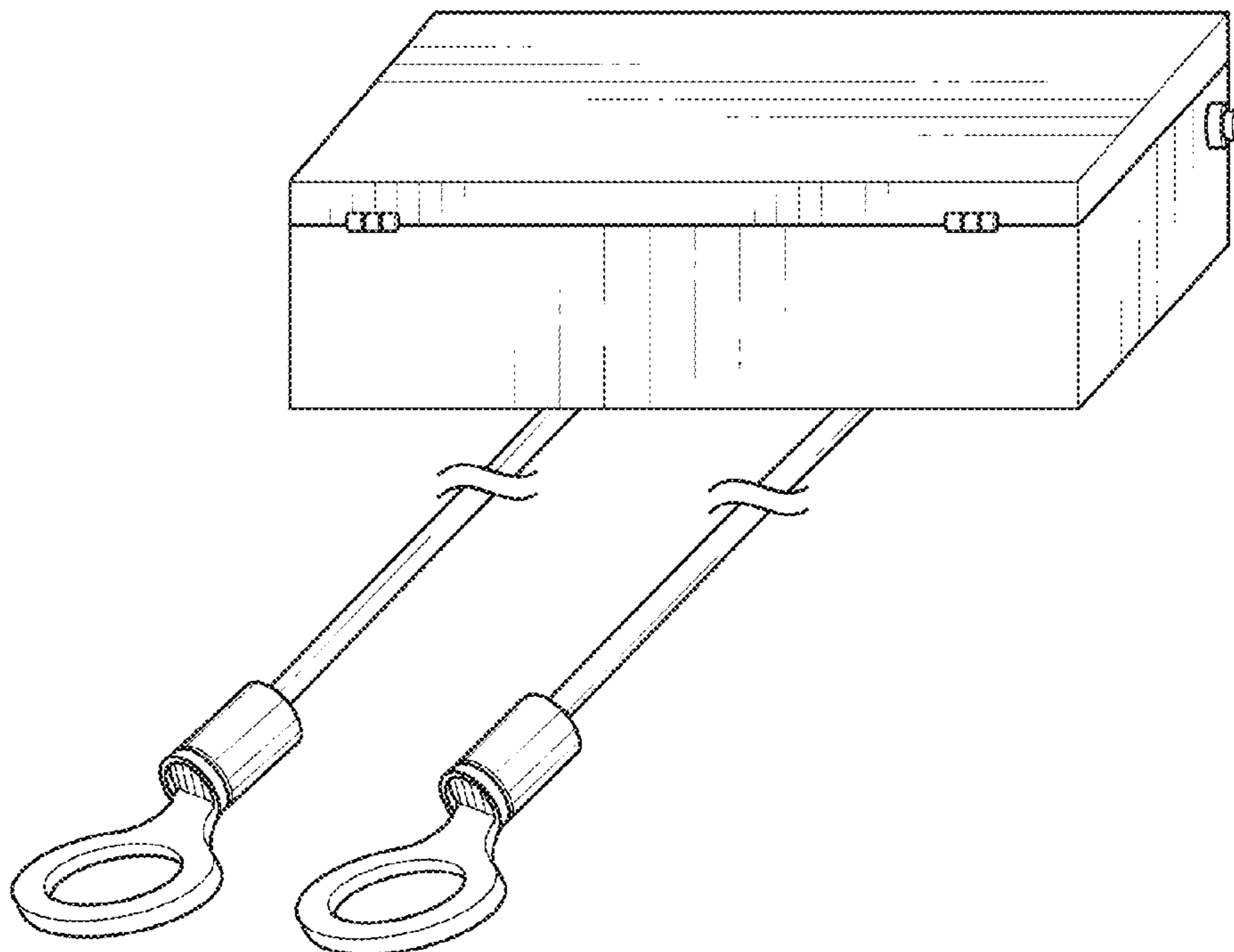
(57) **CLAIM**

The ornamental design for a battery unit charger, as shown and described.

DESCRIPTION

FIG. 1 is a front perspective view of a battery unit charger, showing my new design;
 FIG. 2 is a bottom plan view thereof;
 FIG. 3 is a top plan view thereof;
 FIG. 4 is a right-side elevation view thereof;
 FIG. 5 is a left side elevation view thereof;
 FIG. 6 is a front elevation view thereof, in an open position;
 FIG. 7 is a rear elevation view of FIG. 6;
 FIG. 8 is a perspective view of the battery unit charger of FIG. 1 shown in environmental use; and,
 FIG. 9 is a perspective view of the batter unit charger of FIG. 8 in an open position.
 Portions of the battery unit charger are shown with symbolic breaks in length. The appearance of any portion of the article between the break lines form no part of the claimed design. The broken lines shown represent environmental subject matter and form no part of the claimed design.

1 Claim, 6 Drawing Sheets



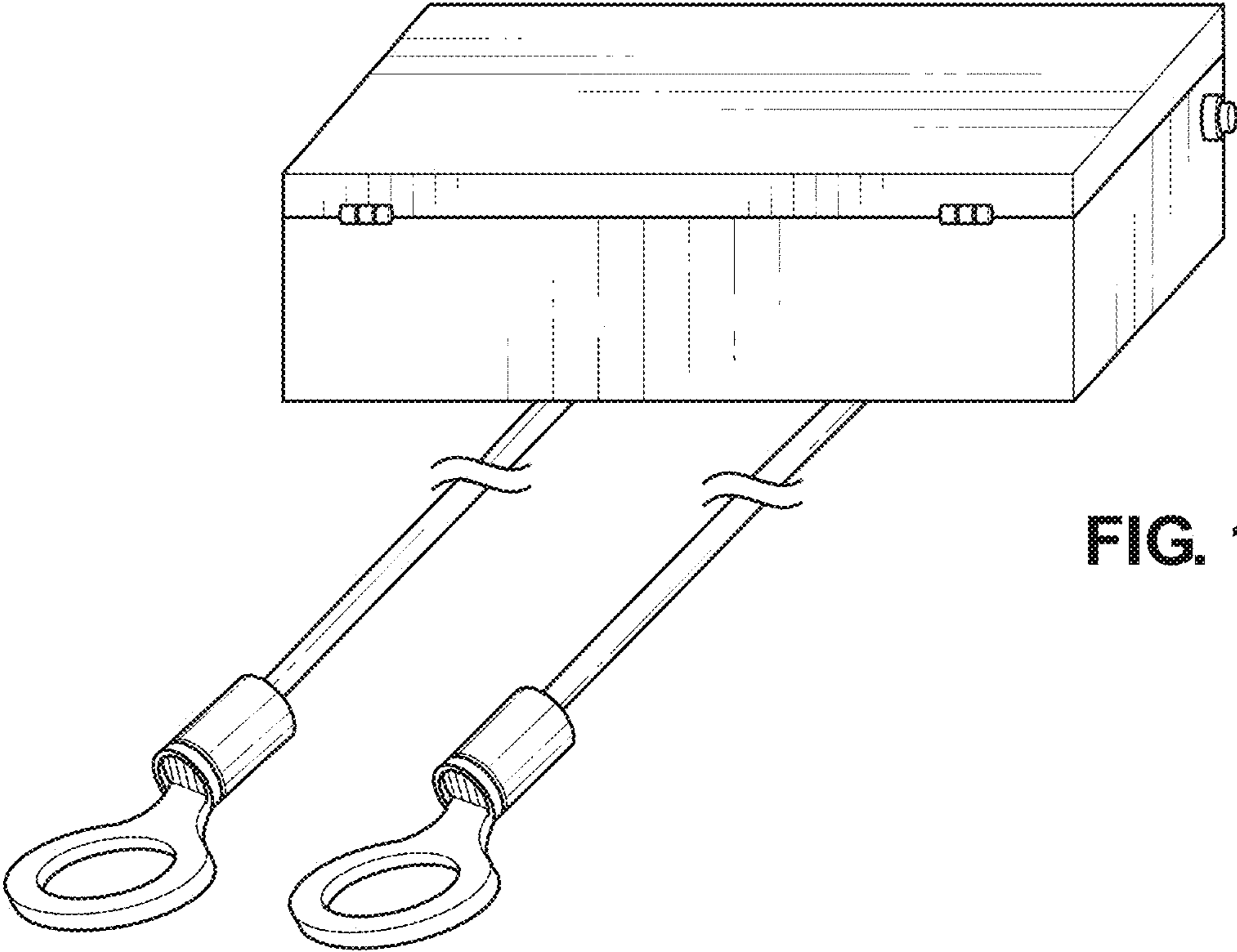


FIG. 1

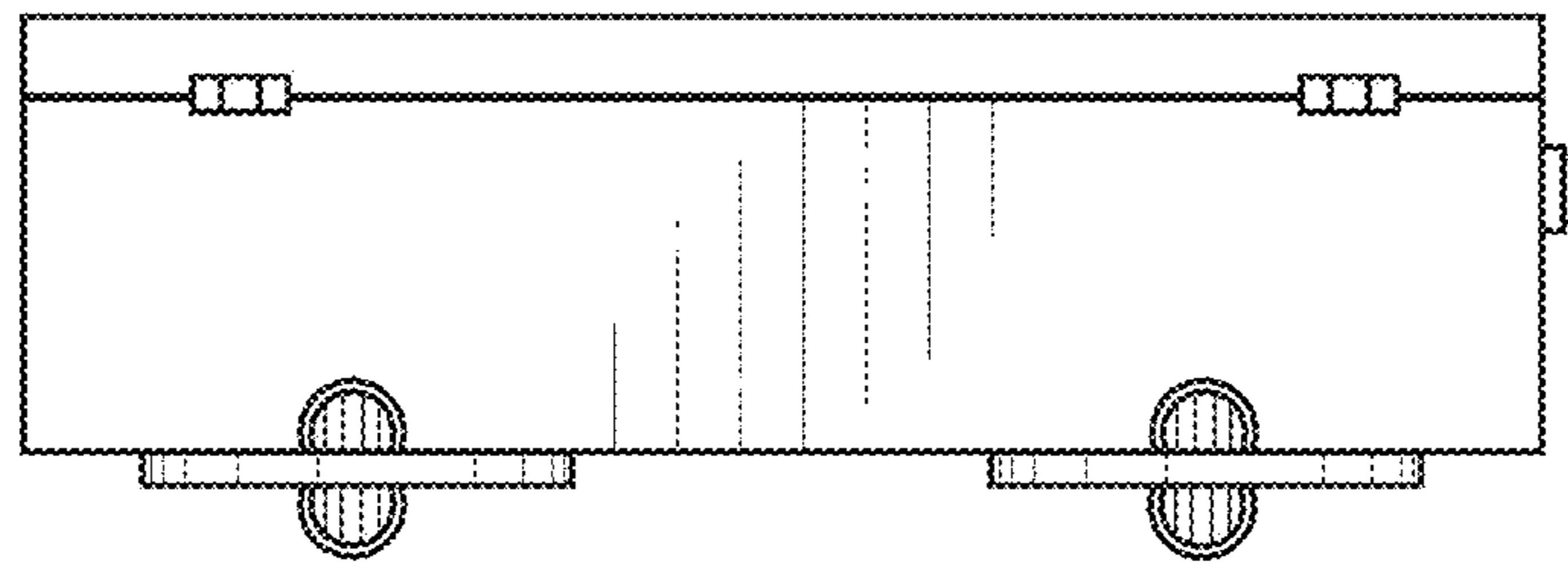


FIG. 2

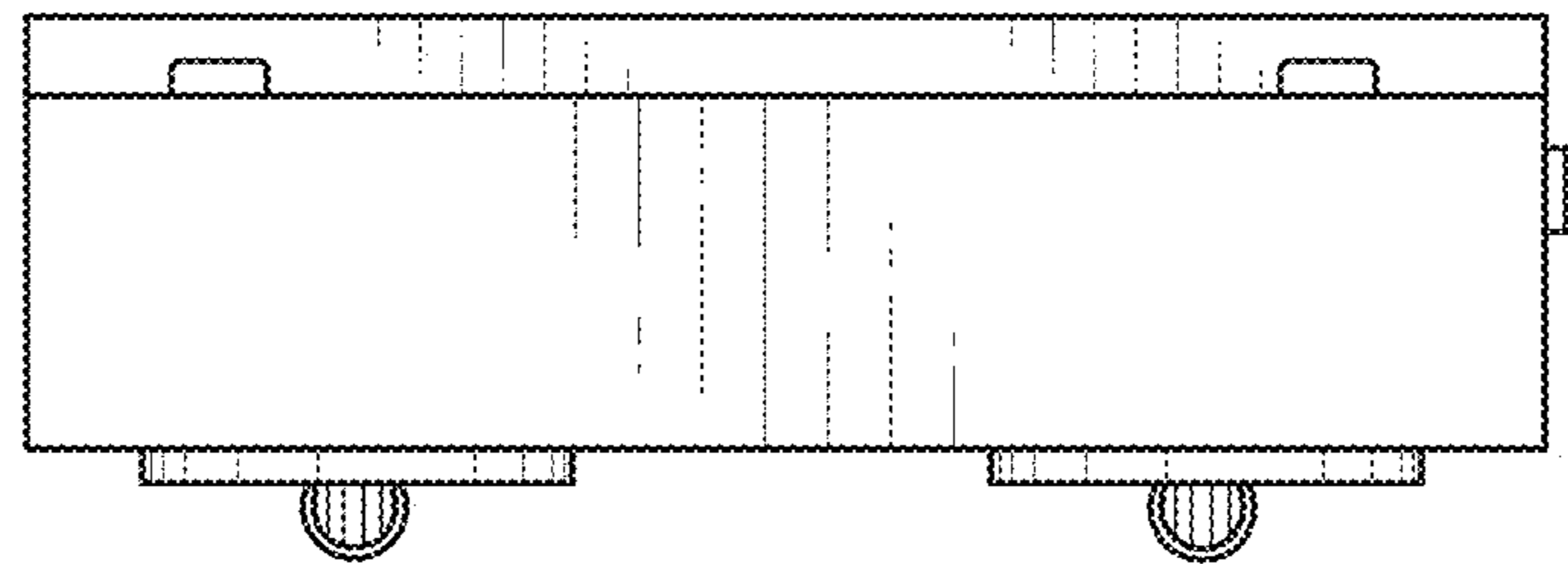


FIG. 3

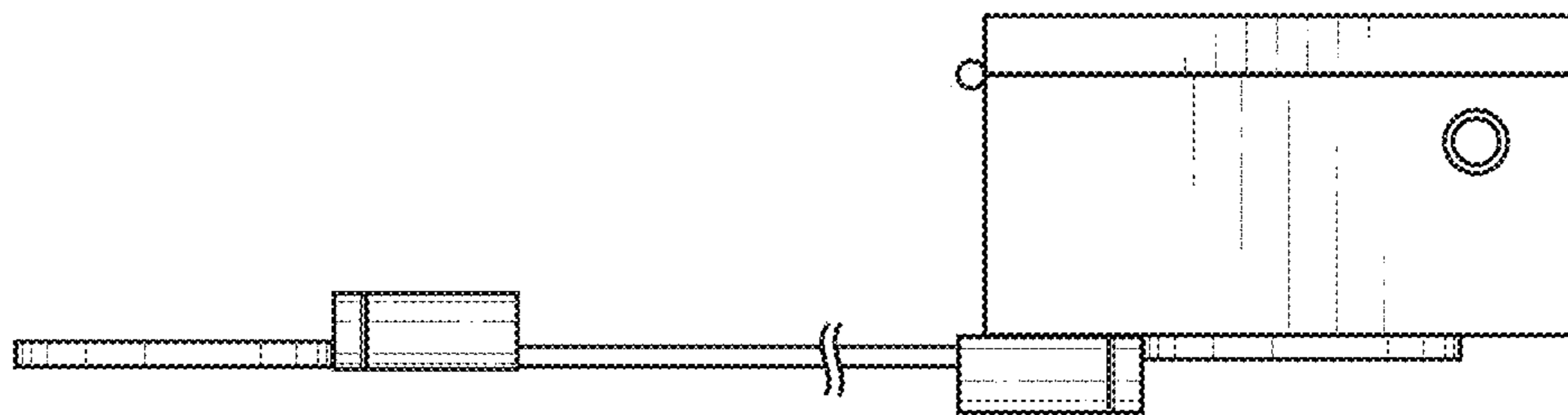


FIG. 4

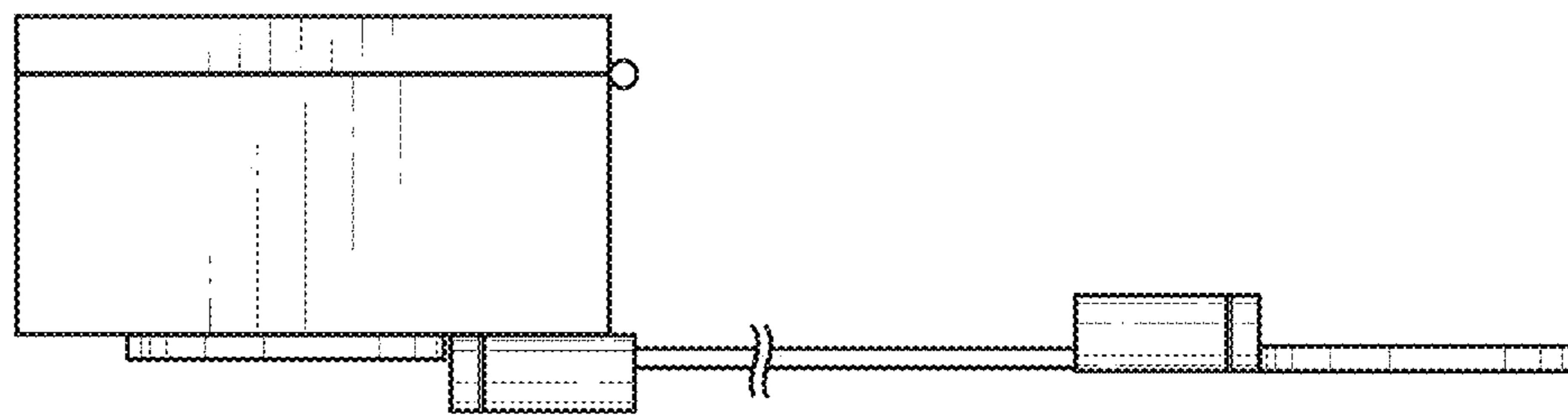


FIG. 5

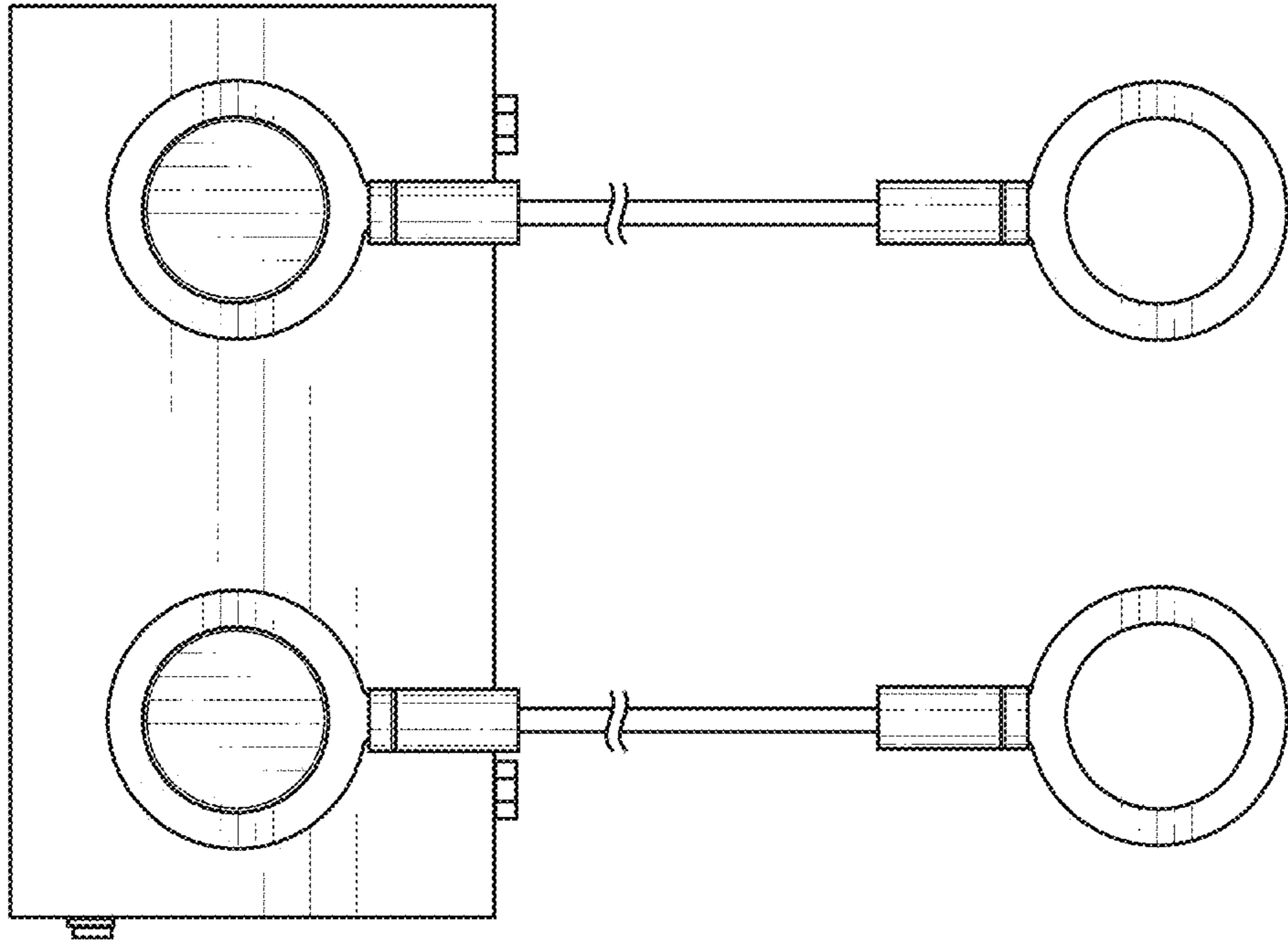


FIG. 7

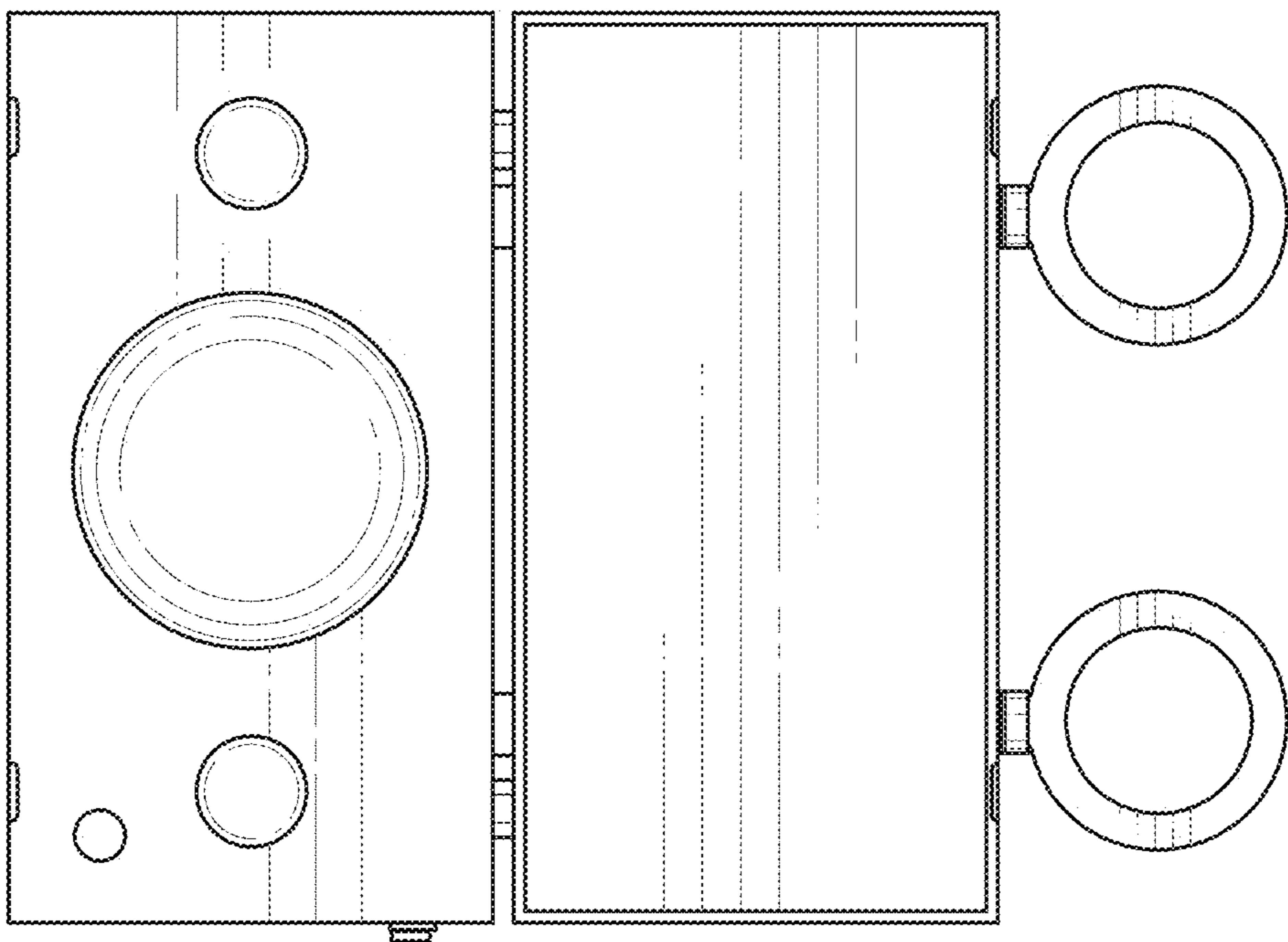


FIG. 6

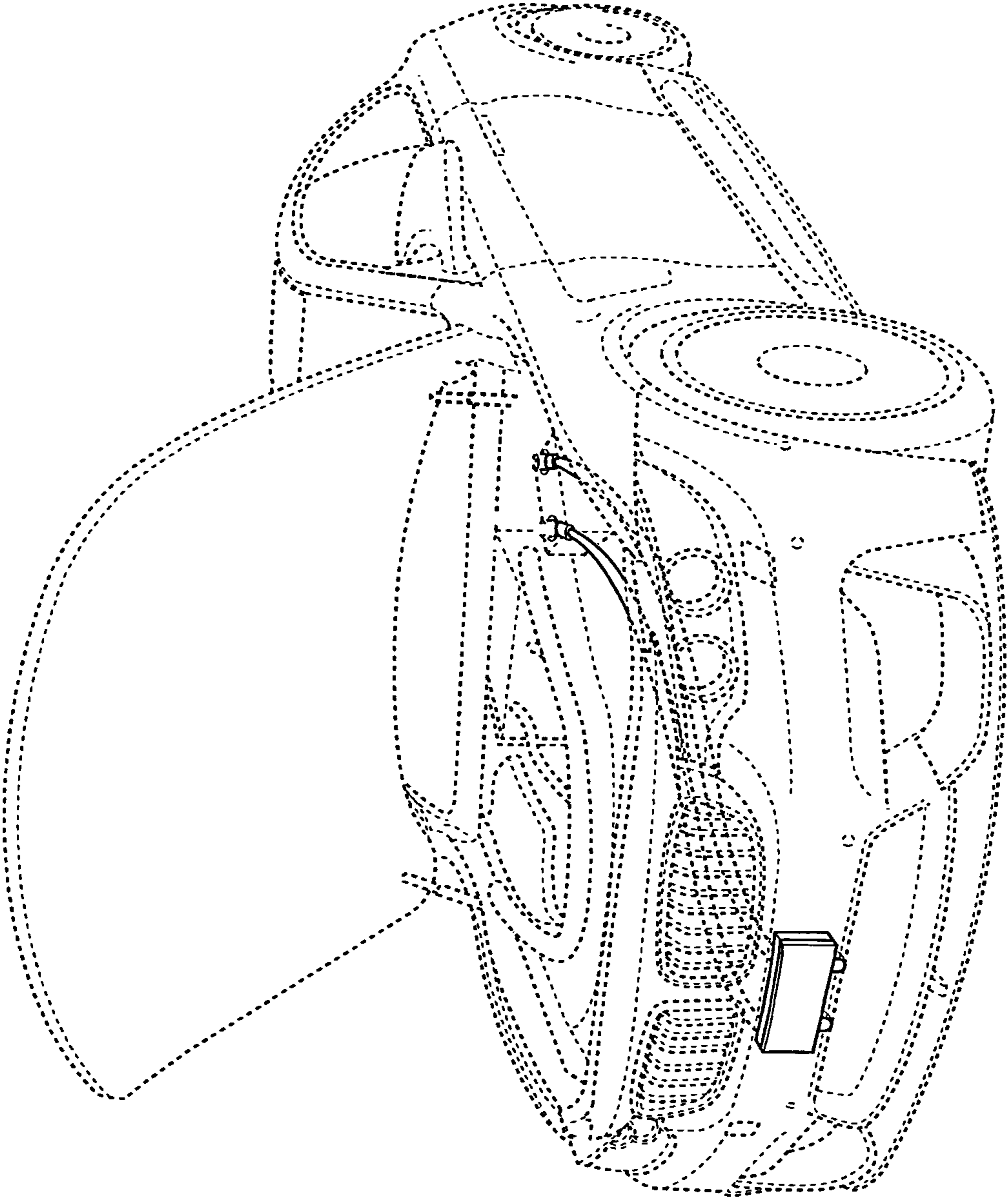


FIG. 8

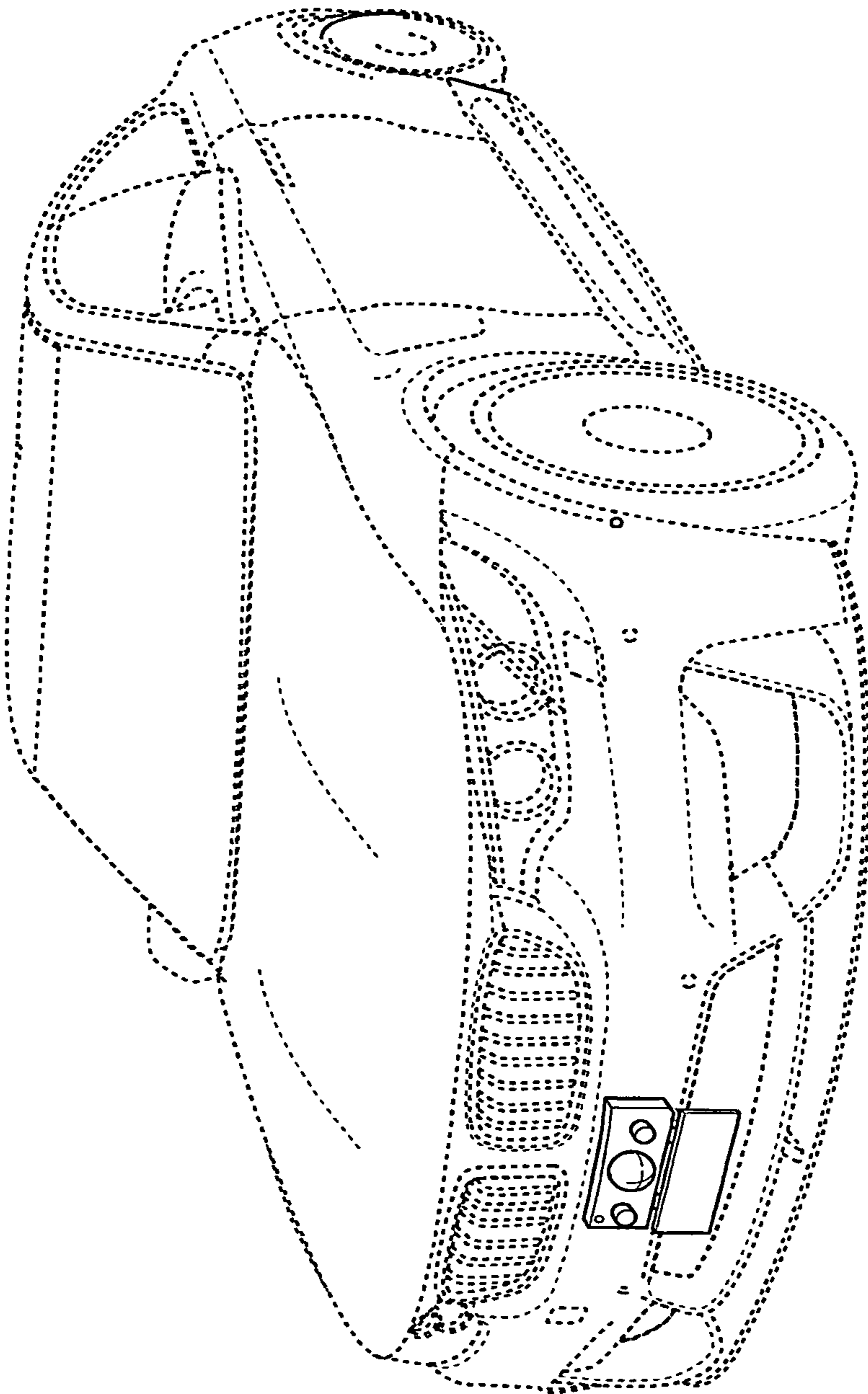


FIG. 9