



US00D965515S

(12) **United States Design Patent**
Seefeldt et al.

(10) **Patent No.:** **US D965,515 S**
(45) **Date of Patent:** **** Oct. 4, 2022**

(54) **BATTERY CHARGER**

(71) Applicant: **Ariens Company**, Brillion, WI (US)
(72) Inventors: **Ross M. Seefeldt**, Manitowoc, WI (US); **Grant Gierosky**, Green Bay, WI (US); **Logan M. Biggs**, Cato, WI (US)
(73) Assignee: **Ariens Company**, Brillion, WI (US)
(**) Term: **15 Years**

5,111,127 A 5/1992 Johnson
6,371,768 B1 4/2002 Neblett et al.
6,799,993 B2 10/2004 Krieger et al.
7,659,696 B2 2/2010 Zeiler et al.
7,769,505 B2 8/2010 Rask et al.
7,791,217 B2 9/2010 Kamaga
8,013,567 B2 9/2011 Windsor
8,223,004 B2 7/2012 Kamaga
8,450,970 B1 5/2013 Drinkwater
8,538,638 B2 9/2013 Vujasinovic et al.
8,604,752 B2 12/2013 Cole, Jr. et al.
8,863,870 B2 10/2014 Gwozdek et al.
8,963,496 B2 2/2015 Yang

(Continued)

(21) Appl. No.: **29/751,113**

(22) Filed: **Sep. 18, 2020**

(51) **LOC (13) Cl.** **13-02**

(52) **U.S. Cl.**
USPC **D13/107**

(58) **Field of Classification Search**
CPC Y02E 60/10; Y02E 60/12; Y02E 60/122;
Y02E 60/124; Y02E 60/50; H01M 2/02;
H01M 2/022; H01M 2/0202; H01M
2/0207; H01M 2/0212; H01M 2/1061;
H01M 2/1022; H01M 2/1055; H01M
2/1066; H01M 2/105; H01M 2/20; H01M
2/202; H01M 2/204; H01M 2/206; H01M
2200/30; H01M 2250/30; H01M 2250/40;
H01M 10/44; H01M 10/46; H01M
10/465; H01M 10/482; H01M 10/4257;
H01M 10/0436; H01M 10/48; H01M
10/6235; H02J 7/0034; H02J 7/0054;
H02J 7/1423; H02J 7/00; H02J 7/0003;
H02J 7/0011; H02J 7/0013; H02J 7/0055;
H02J 7/0057; Y02T 10/7005; Y02T
2/705; Y02T 2/7088

See application file for complete search history.

(56) **References Cited**

U.S. PATENT DOCUMENTS

4,161,682 A 7/1979 Corvette
4,902,955 A 2/1990 Manis et al.

FOREIGN PATENT DOCUMENTS

AU 2007101218 A4 4/2008
WO WO2013129218 A1 9/2013

(Continued)

Primary Examiner — Christy Nemeth
(74) *Attorney, Agent, or Firm* — Michael Best & Friedrich LLP

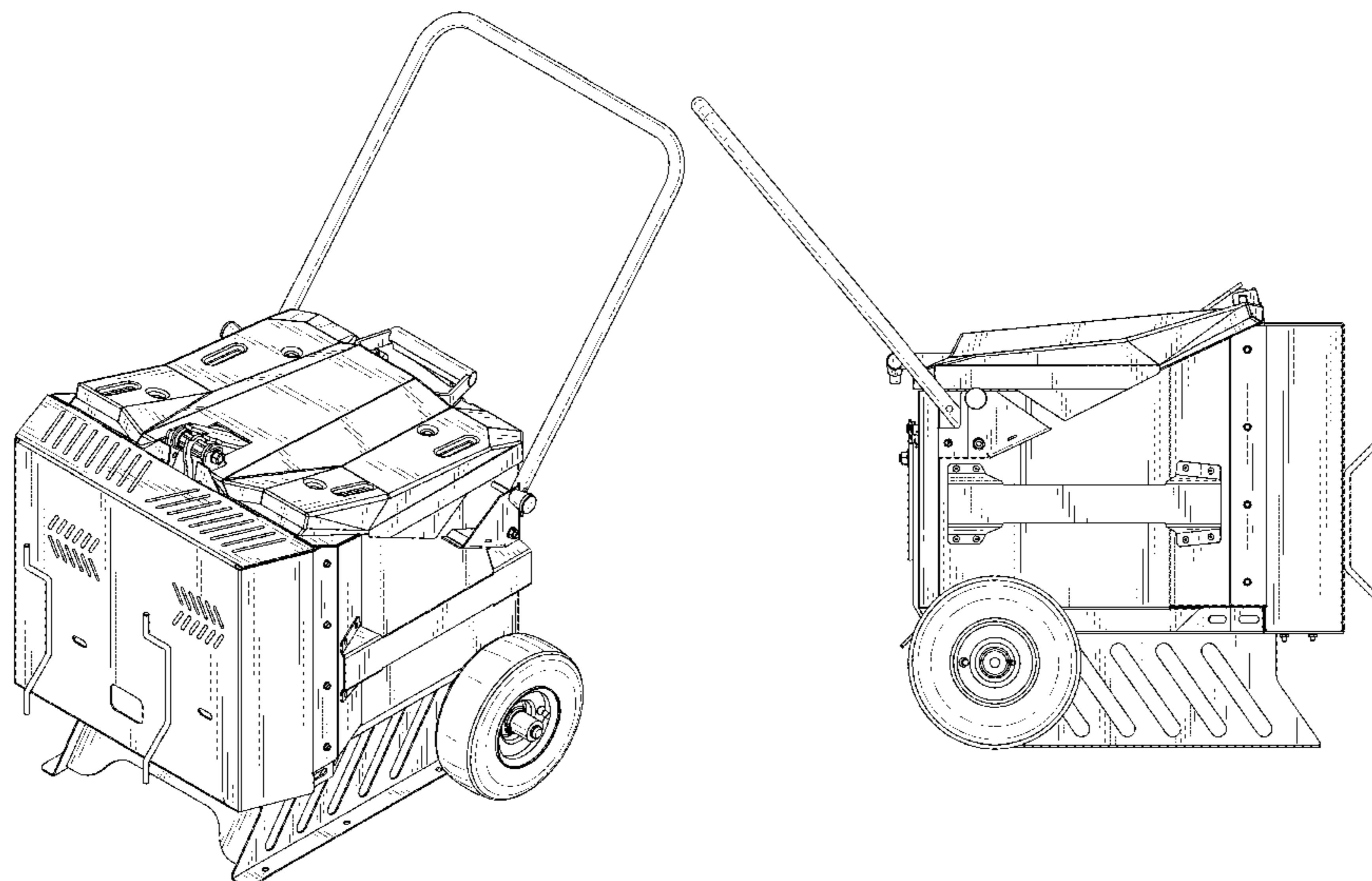
(57) **CLAIM**

The ornamental design for a battery charger, as shown and described.

DESCRIPTION

FIG. 1 is a perspective view of a battery charger showing our new design;
FIG. 2 is a right side view thereof;
FIG. 3 is a left side view thereof;
FIG. 4 is a front view thereof;
FIG. 5 is a rear view thereof;
FIG. 6 is a top view thereof; and,
FIG. 7 is a bottom view thereof.
The broken lines in the drawings illustrate portions of the article that form no part of the claim.

1 Claim, 7 Drawing Sheets



US D965,515 S

Page 2

(56)

References Cited

U.S. PATENT DOCUMENTS

9,061,598 B2 6/2015 Ochocinski et al.
9,108,517 B2 8/2015 Crombez
9,112,356 B2 8/2015 Cover
9,273,857 B2 3/2016 Rosenbecker et al.
9,296,306 B2 3/2016 Schygge et al.
D802,530 S * 11/2017 Adams D13/109
D811,325 S * 2/2018 Inskeep D15/9
D812,561 S * 3/2018 Inskeep D15/9
10,044,197 B2 8/2018 Fry et al.
10,046,661 B2 8/2018 DeDonna et al.
10,103,558 B2 10/2018 Teng et al.
10,181,590 B2 1/2019 Zeiler et al.
10,439,415 B2 10/2019 Zhu et al.
10,538,166 B2 1/2020 Ito et al.
D874,395 S * 2/2020 Sun D13/106
10,651,664 B2 5/2020 Sergyeyenko
D910,549 S * 2/2021 Aresalo D13/107
D929,937 S * 9/2021 Zhang D13/110
D933,010 S * 10/2021 Hansen D13/110
D940,068 S * 1/2022 Mao D13/103
2003/0128507 A1 7/2003 Metcalf
2006/0006838 A1 1/2006 Clarke
2006/0028177 A1 2/2006 Ferro et al.
2009/0024267 A1 1/2009 Kawai
2010/0120581 A1 5/2010 Mitsutani et al.

2010/0320964 A1 12/2010 Lathrop et al.
2011/0048826 A1 3/2011 Starr
2013/0051104 A1 2/2013 Nakano et al.
2015/0008879 A1 1/2015 Schneider et al.
2015/0171632 A1* 6/2015 Fry H02B 1/26
307/22
2017/0166073 A1 6/2017 Park
2018/0001771 A1 1/2018 Park et al.
2018/0022226 A1 1/2018 Sjodin
2018/0029488 A1 2/2018 Sjodin
2019/0157881 A1 5/2019 Velderman et al.
2020/0037474 A1 1/2020 Silha et al.
2020/0128672 A1 4/2020 Silha et al.
2020/0185941 A1 6/2020 Lee et al.
2020/0295580 A1 9/2020 Bishop
2020/0345116 A1 11/2020 Korey et al.
2021/0360803 A1* 11/2021 Semon H02J 7/0044

FOREIGN PATENT DOCUMENTS

WO WO2017115092 A2 7/2017
WO WO2017167210 A1 10/2017
WO WO2019047476 A1 3/2019
WO WO2019065276 A1 4/2019
WO WO2019144265 A1 8/2019
WO WO2019213407 A1 11/2019
WO WO2020077176 A1 4/2020

* cited by examiner

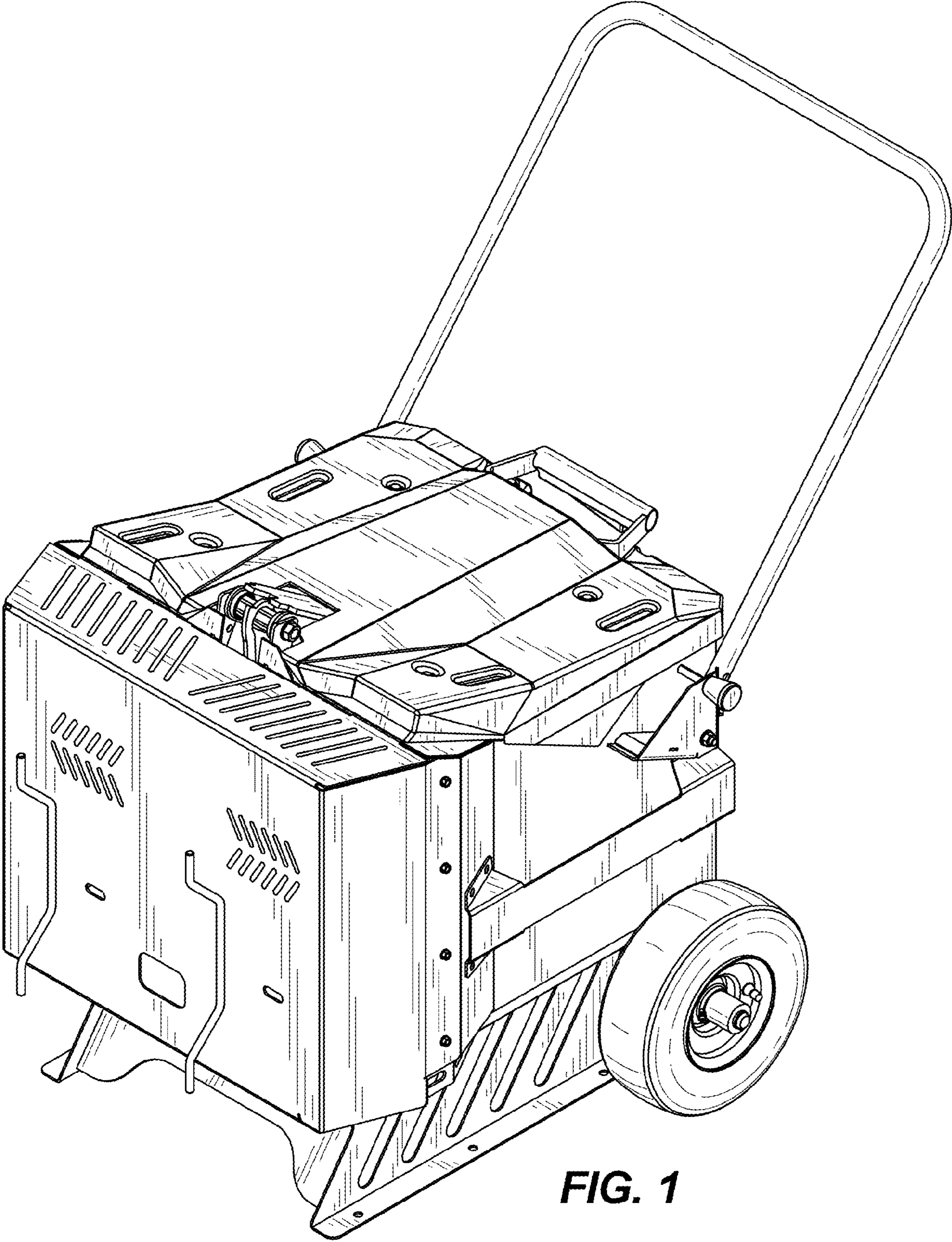


FIG. 1

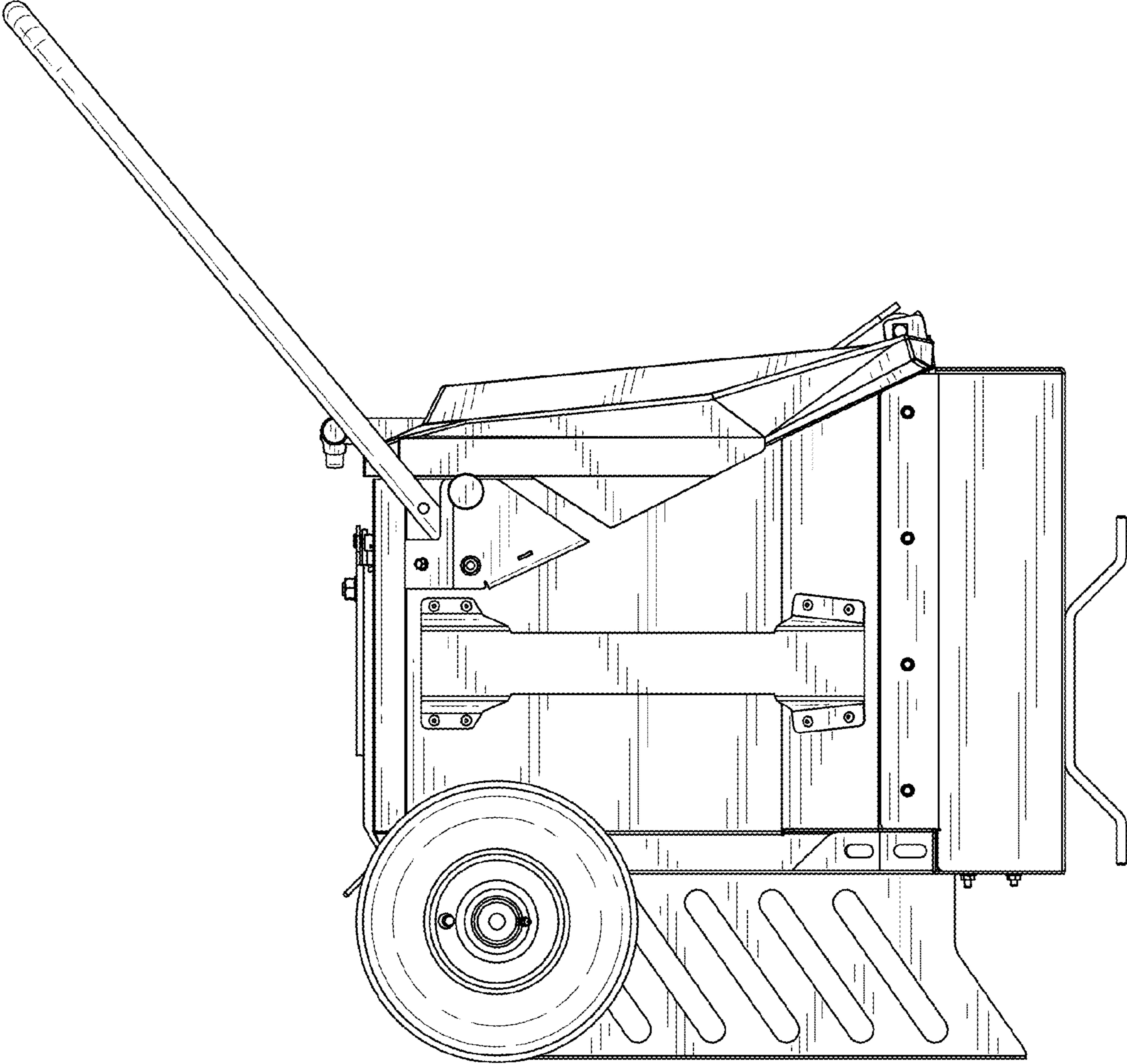


FIG. 2

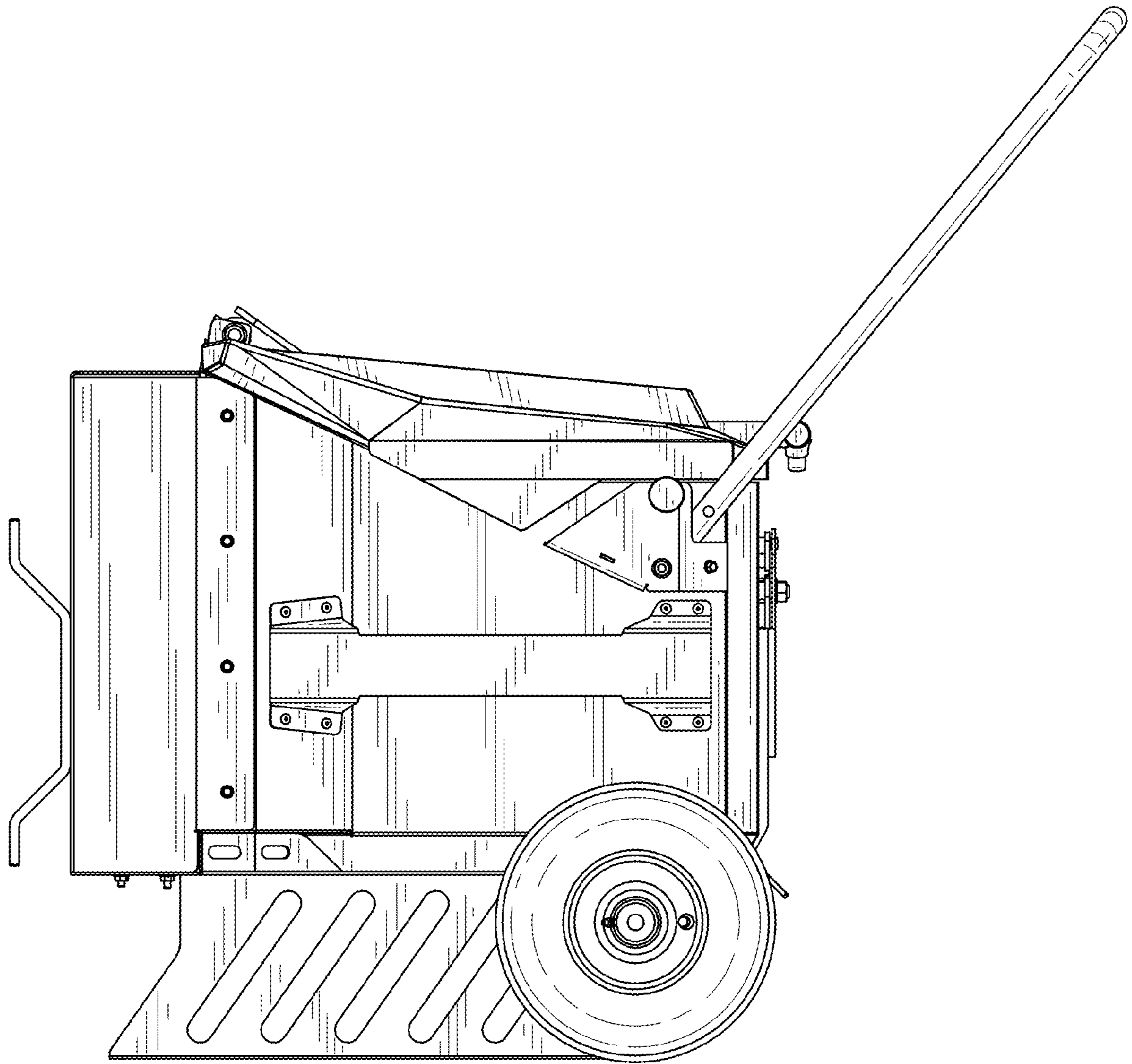


FIG. 3

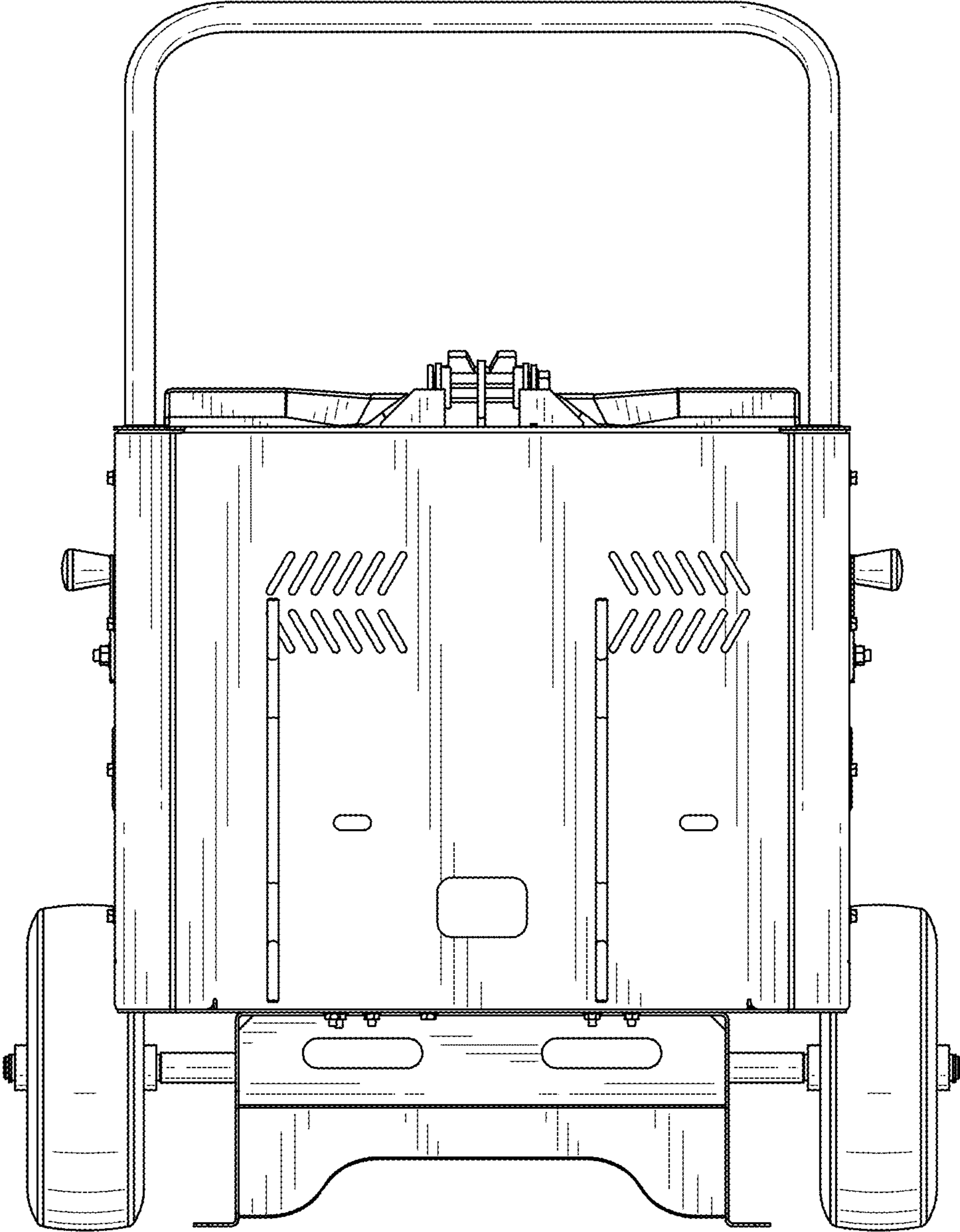


FIG. 4

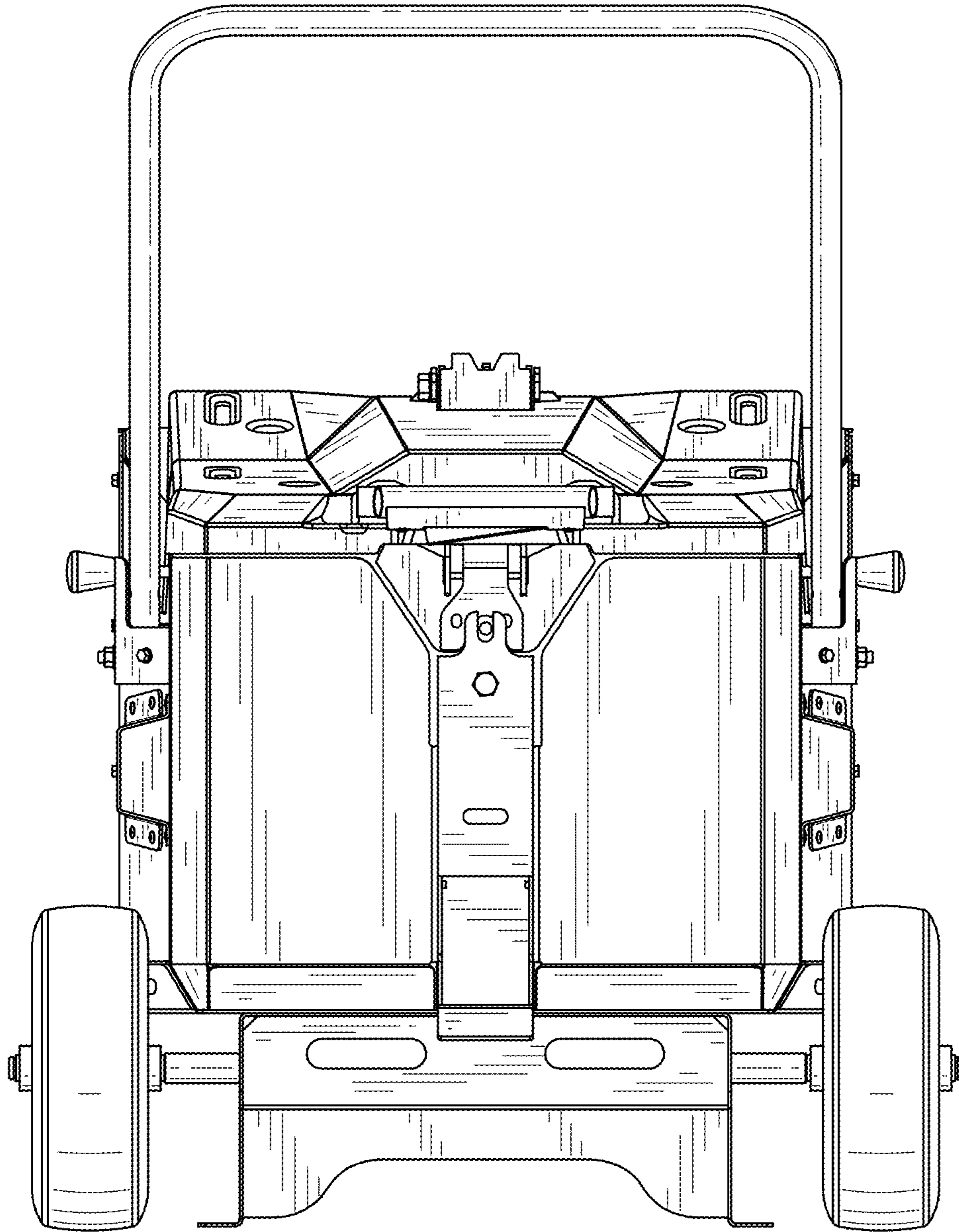


FIG. 5

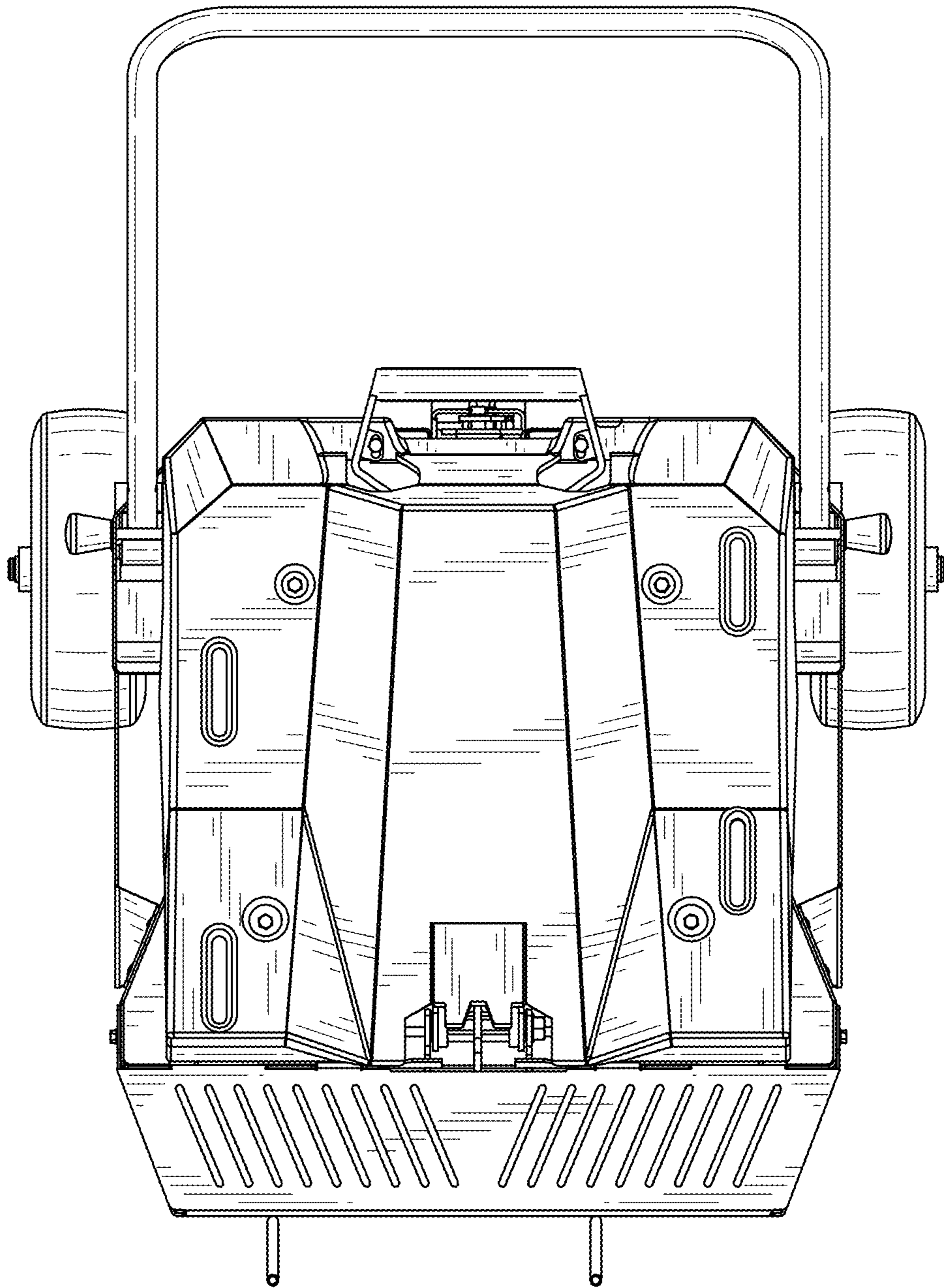


FIG. 6

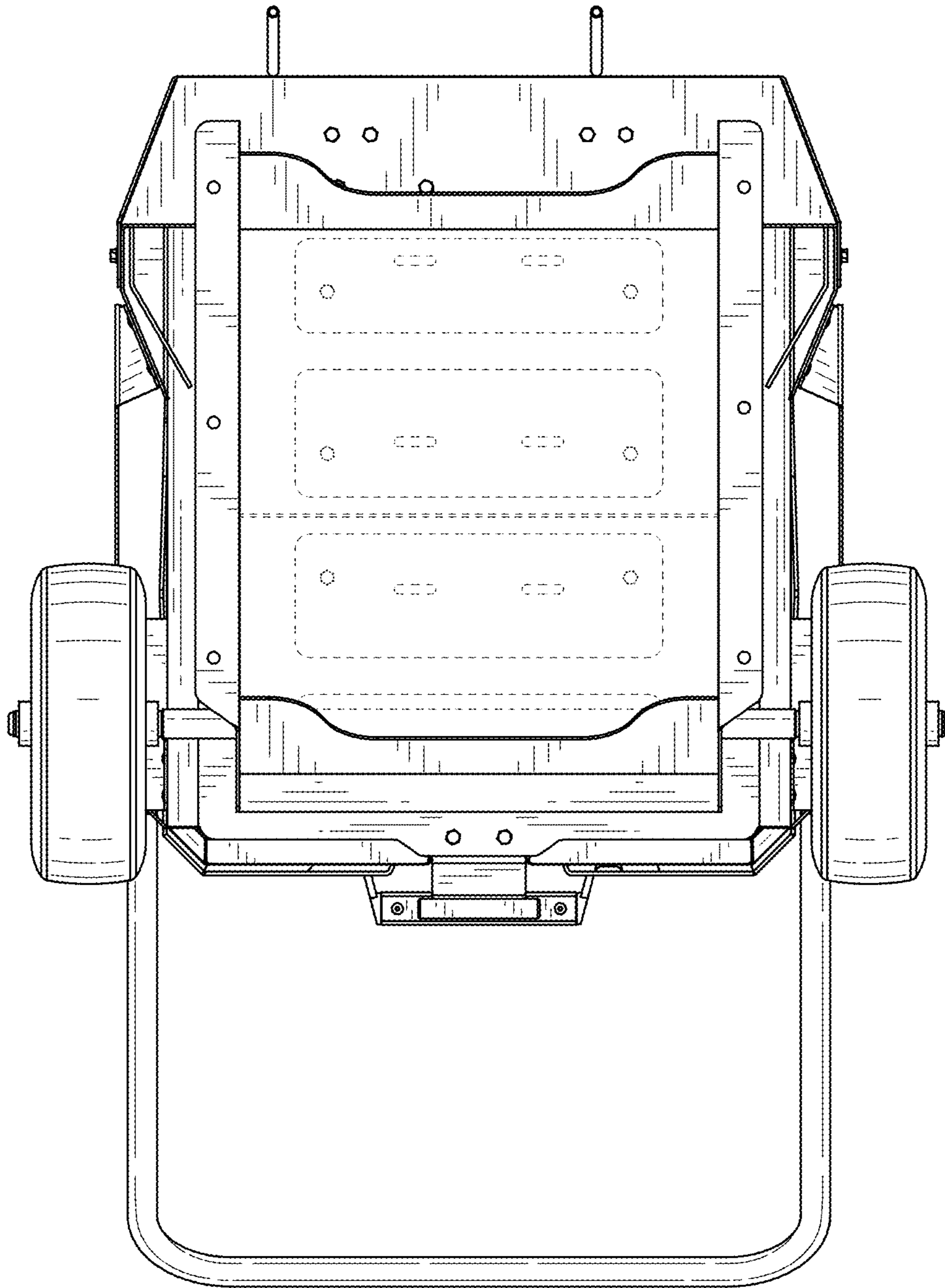


FIG. 7