



US00D965511S

(12) **United States Design Patent**  
**Yin et al.**

(10) **Patent No.:** **US D965,511 S**  
(45) **Date of Patent:** **\*\* Oct. 4, 2022**

- (54) **PORTABLE POWER SUPPLY**
- (71) Applicant: **SHENZHEN POWEROAK  
NEWENER CO., LTD.**, Shenzhen  
(CN)
- (72) Inventors: **Xiangzhu Yin**, Shenzhen (CN); **Gang Wang**, Shenzhen (CN); **Mianzhi Wu**, Shenzhen (CN)
- (73) Assignee: **SHENZHEN POWEROAK  
NEWENER CO., LTD.**, Shenzhen  
(CN)
- (\*\*) Term: **15 Years**
- (21) Appl. No.: **29/770,355**
- (22) Filed: **Feb. 11, 2021**
- (30) **Foreign Application Priority Data**  
Aug. 17, 2020 (CN) ..... 202030470056.X
- (51) **LOC (13) Cl.** ..... **13-02**
- (52) **U.S. Cl.**  
USPC ..... **D13/103**
- (58) **Field of Classification Search**  
USPC ..... D13/103, 107, 108, 110, 118–119, 184,  
D13/199  
CPC ..... H02J 7/025; H02J 7/0042; H02J 7/0044;  
H02J 7/0045; H02J 7/0047; H02J 7/0003;  
H02J 7/00047; H02J 7/0013; H02J  
7/0027; H02J 7/02; H02J 1/122; B60R  
16/033  
See application file for complete search history.

D941,757 S \* 1/2022 Liao ..... D13/107  
D942,391 S \* 2/2022 Yin ..... D13/110  
D942,932 S \* 2/2022 Yin ..... D13/107  
D942,934 S \* 2/2022 Yin ..... D13/107  
(Continued)

**OTHER PUBLICATIONS**

Energy Storage Boxes. (Design—© Questel) orbit.com. [Online PDF compilation of references] 106 pgs. Print Dates Range Nov. 18, 2021-Oct. 24, 2019 [Retrieved May 17, 2022].\*  
(Continued)

*Primary Examiner* — George D. Kirschbaum  
*Assistant Examiner* — Suzanne E Tisdell  
(74) *Attorney, Agent, or Firm* — Carter, DeLuca & Farrell LLP; George Likourezos

(57) **CLAIM**

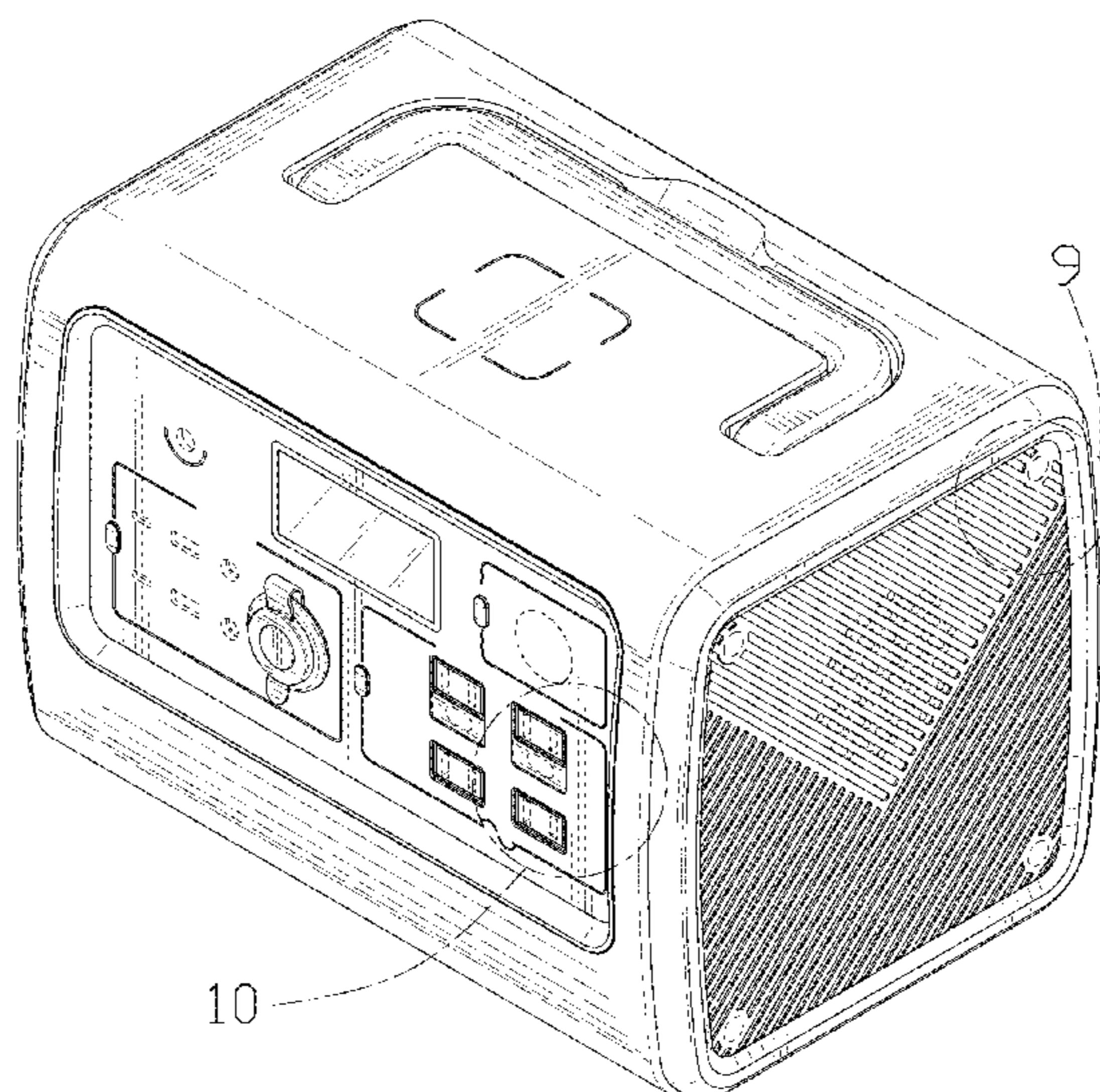
The ornamental design for a portable power supply, as shown and described.

**DESCRIPTION**

FIG. 1 is a front, perspective view of a portable power supply showing our new design;  
FIG. 2 is a rear, perspective view thereof;  
FIG. 3 is a front, elevational view thereof;  
FIG. 4 is a rear, elevational view thereof;  
FIG. 5 is a left, side elevational view thereof;  
FIG. 6 is a right, side elevational view thereof;  
FIG. 7 is a top plan view thereof;  
FIG. 8 is a bottom plan view thereof;  
FIG. 9 is an enlarged view of the area “9” shown in FIG. 1;  
FIG. 10 is an enlarged view of the area “10” shown in FIG. 1; and,  
FIG. 11 is an enlarged view of the area “11” shown in FIG. 2.  
The broken lines in the drawings depict portions of the portable power supply that form no part of the claimed design.

**1 Claim, 11 Drawing Sheets**

- (56) **References Cited**  
U.S. PATENT DOCUMENTS  
D932,432 S \* 10/2021 Peng ..... D13/110  
D936,583 S \* 11/2021 Liu ..... D13/110  
D938,355 S \* 12/2021 Xiong ..... D13/110  
D940,068 S \* 1/2022 Mao ..... D13/103



(56)

**References Cited**

U.S. PATENT DOCUMENTS

D944,193	S	*	2/2022	Sun	.....	D13/107
D944,732	S	*	3/2022	Sun	.....	D13/110
D948,431	S	*	4/2022	Ye	.....	D13/110
D949,098	S	*	4/2022	Wang	.....	D13/116
D950,484	S	*	5/2022	Tan	.....	D13/107

OTHER PUBLICATIONS

HomePowerONE User Manual. 2020. Home Power, <https://cdn.shopify.com/s/files/1/0448/1453/2765/files/HomePowerONE-UserManual.pdf?v=1601009169>.\*

Portable Power Station 200w. Jan. 28, 2021. Alibaba. [https://www.alibaba.com/product-detail/Portable-power-station-200w-power-station\\_1600303475607.html?spm=a2700.7724857.normal\\_offer.d\\_image.36b22f98FyDeB2](https://www.alibaba.com/product-detail/Portable-power-station-200w-power-station_1600303475607.html?spm=a2700.7724857.normal_offer.d_image.36b22f98FyDeB2).\*

Portable Power Station Generator With Sos Emergency Light. Jan. 11, 2017. Alibaba, [https://www.alibaba.com/product-detail/Amazon-hot-sale-rechargeable-200W-300W\\_1600454444970.html?spm=a2700.7724857.normal\\_offer.d\\_image.493a2f98ESqfl](https://www.alibaba.com/product-detail/Amazon-hot-sale-rechargeable-200W-300W_1600454444970.html?spm=a2700.7724857.normal_offer.d_image.493a2f98ESqfl).\*

\* cited by examiner

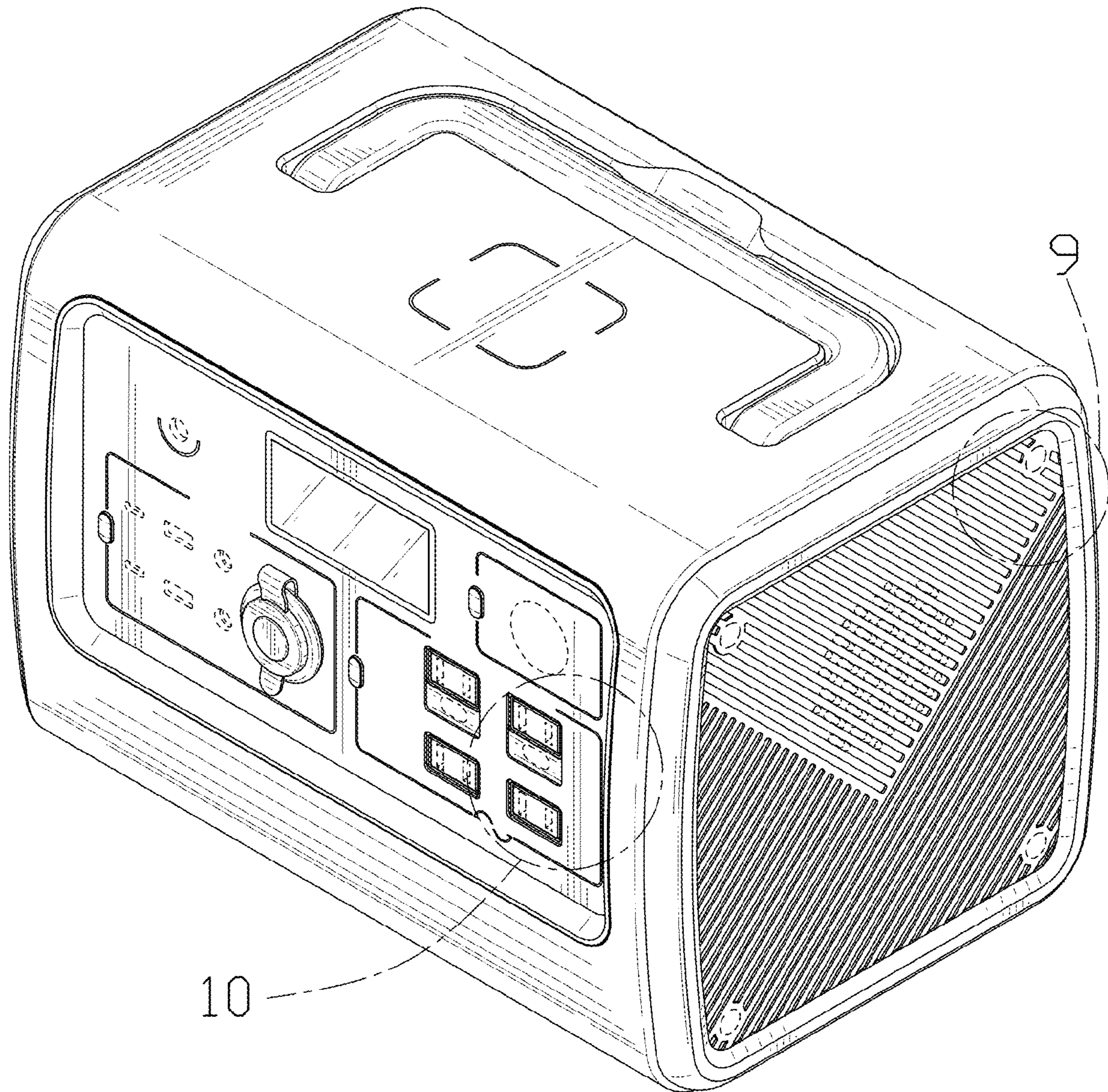


FIG. 1

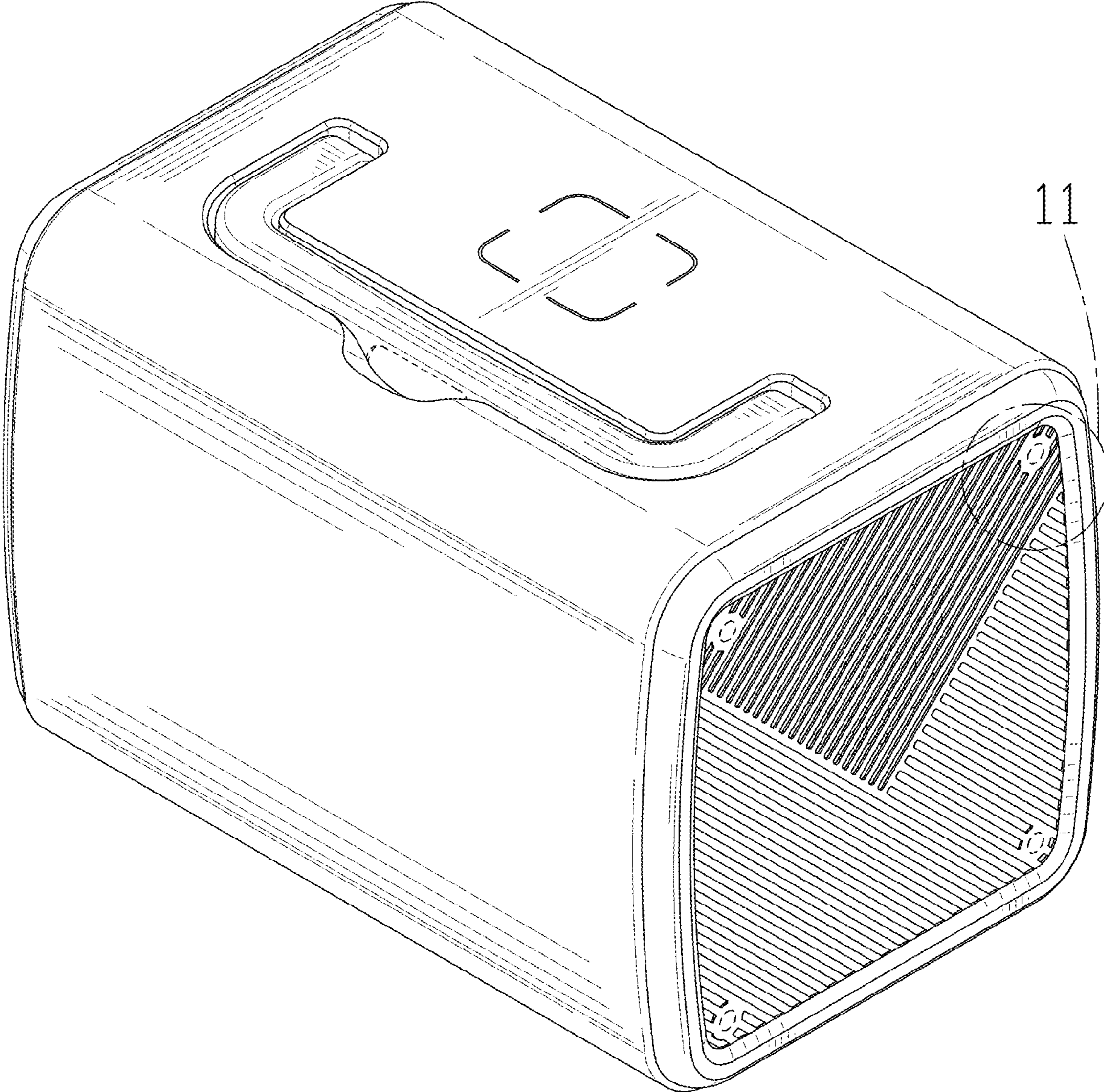


FIG. 2

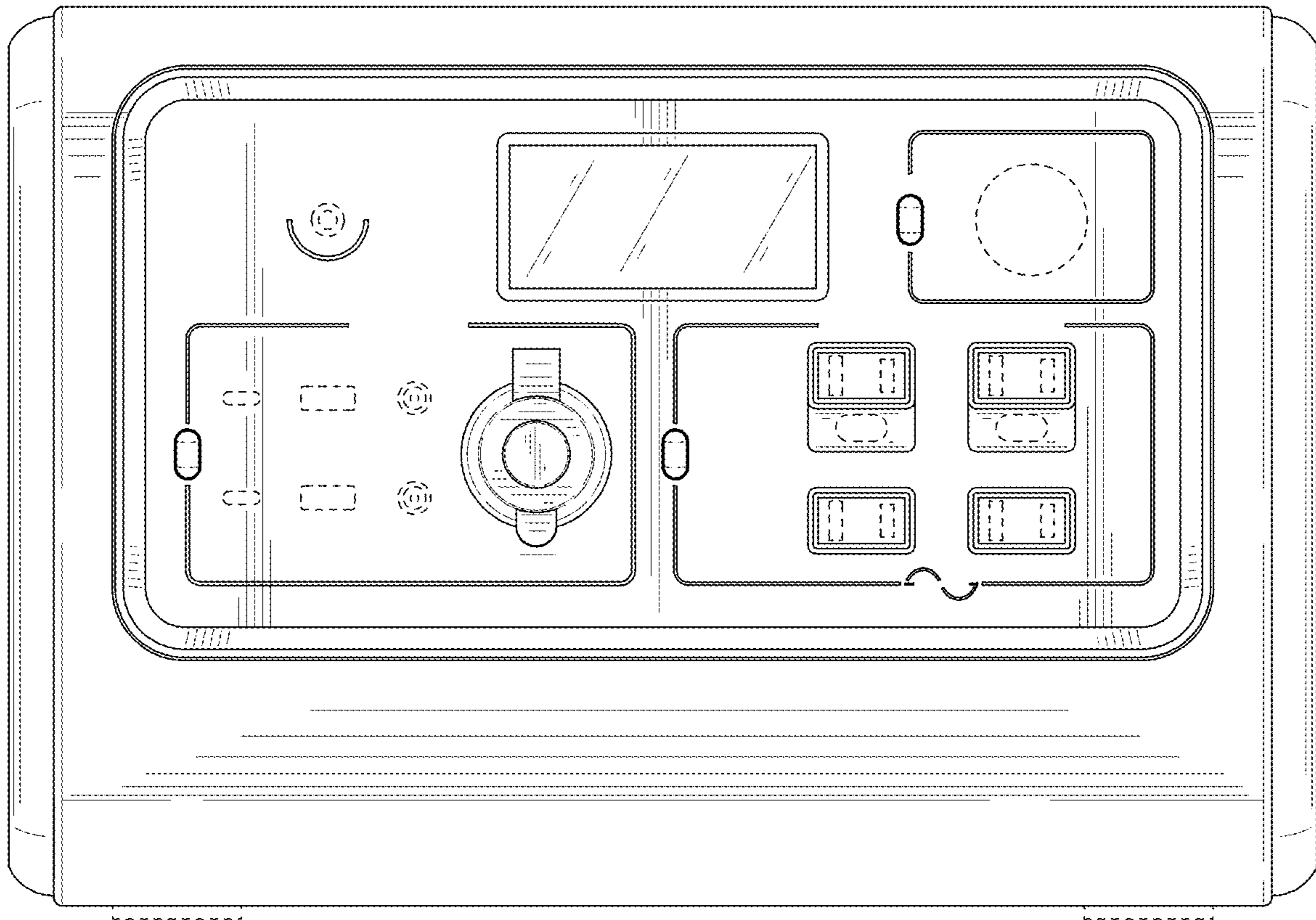


FIG. 3



FIG. 4

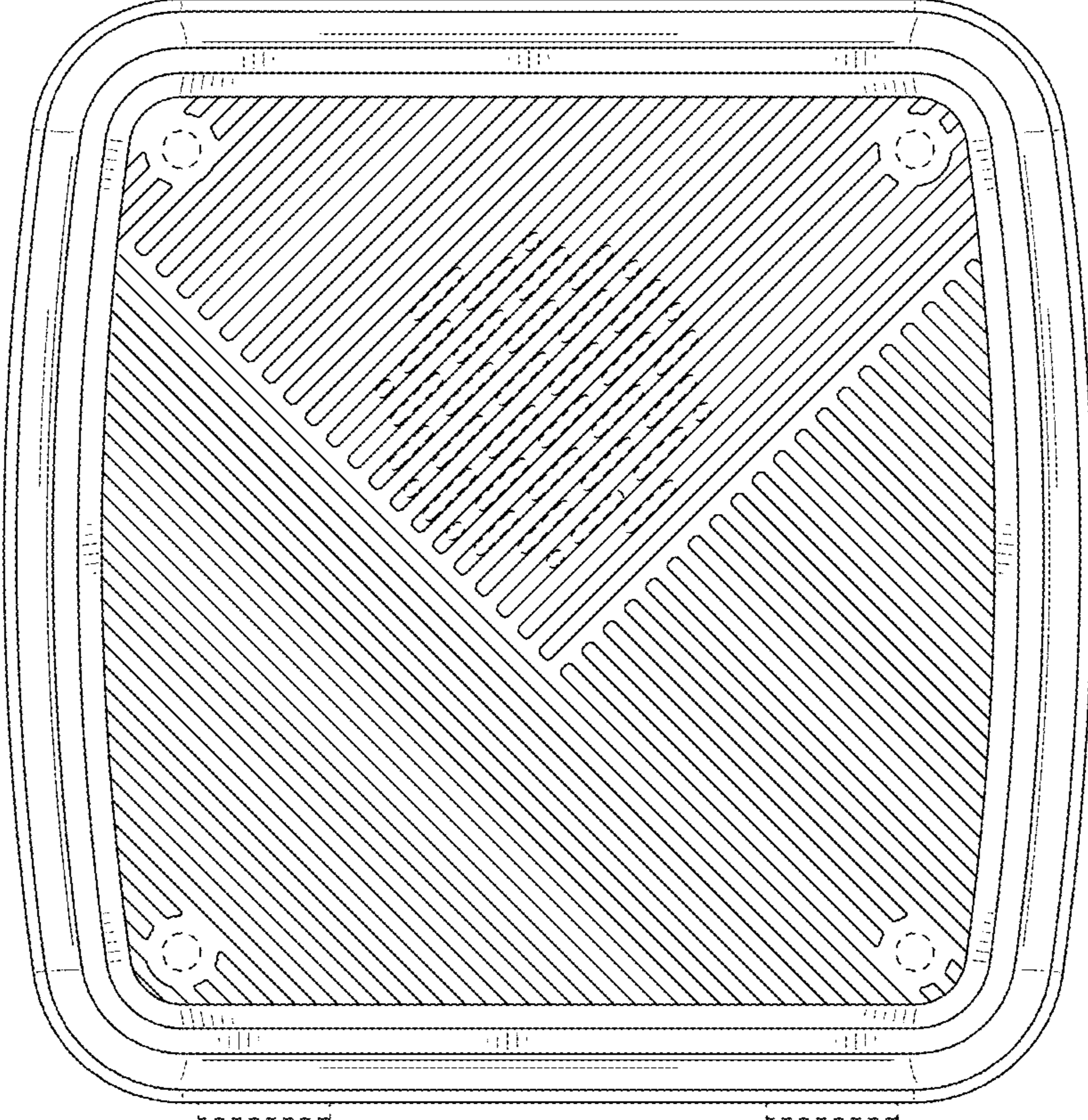


FIG. 5

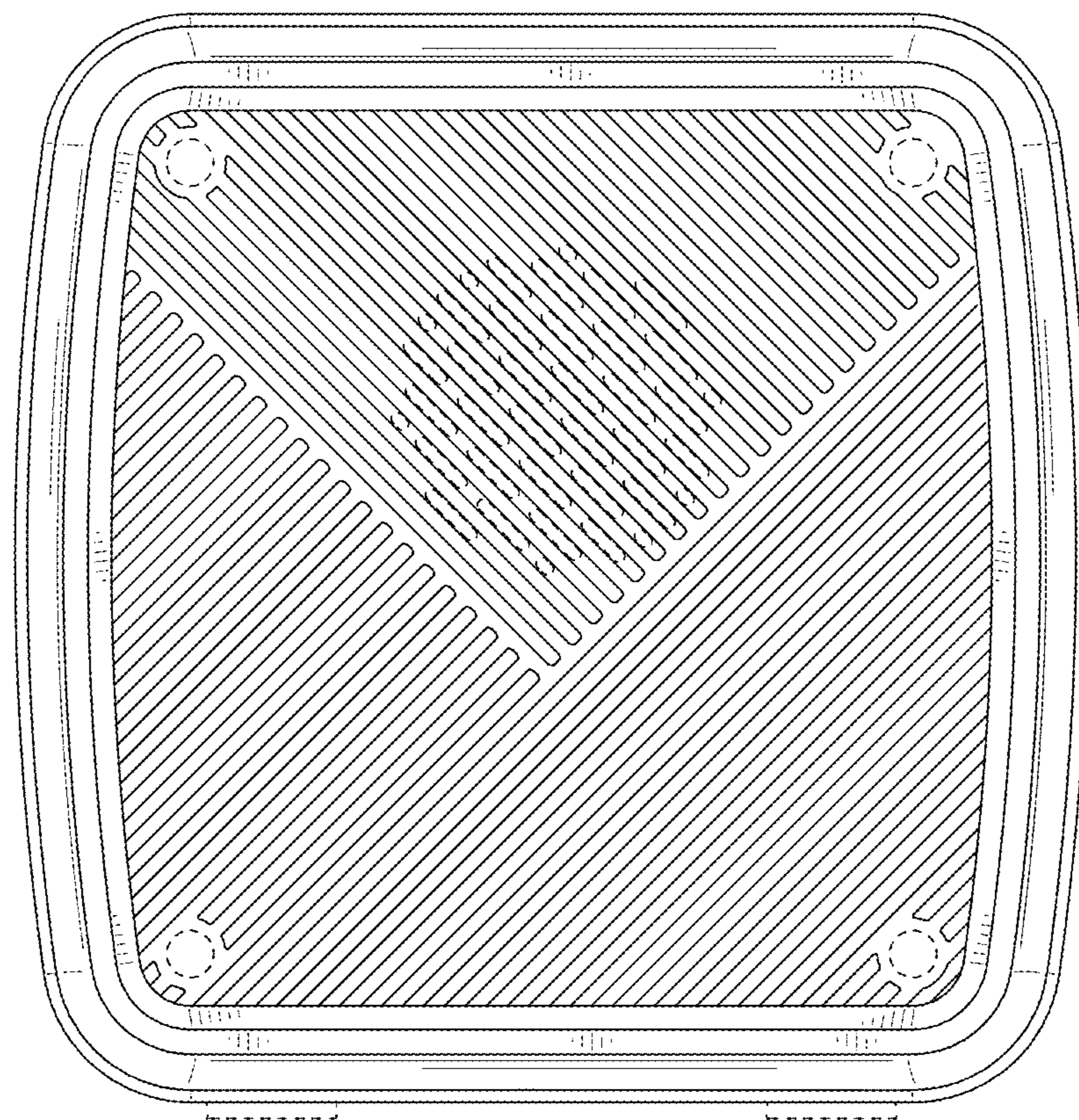


FIG. 6



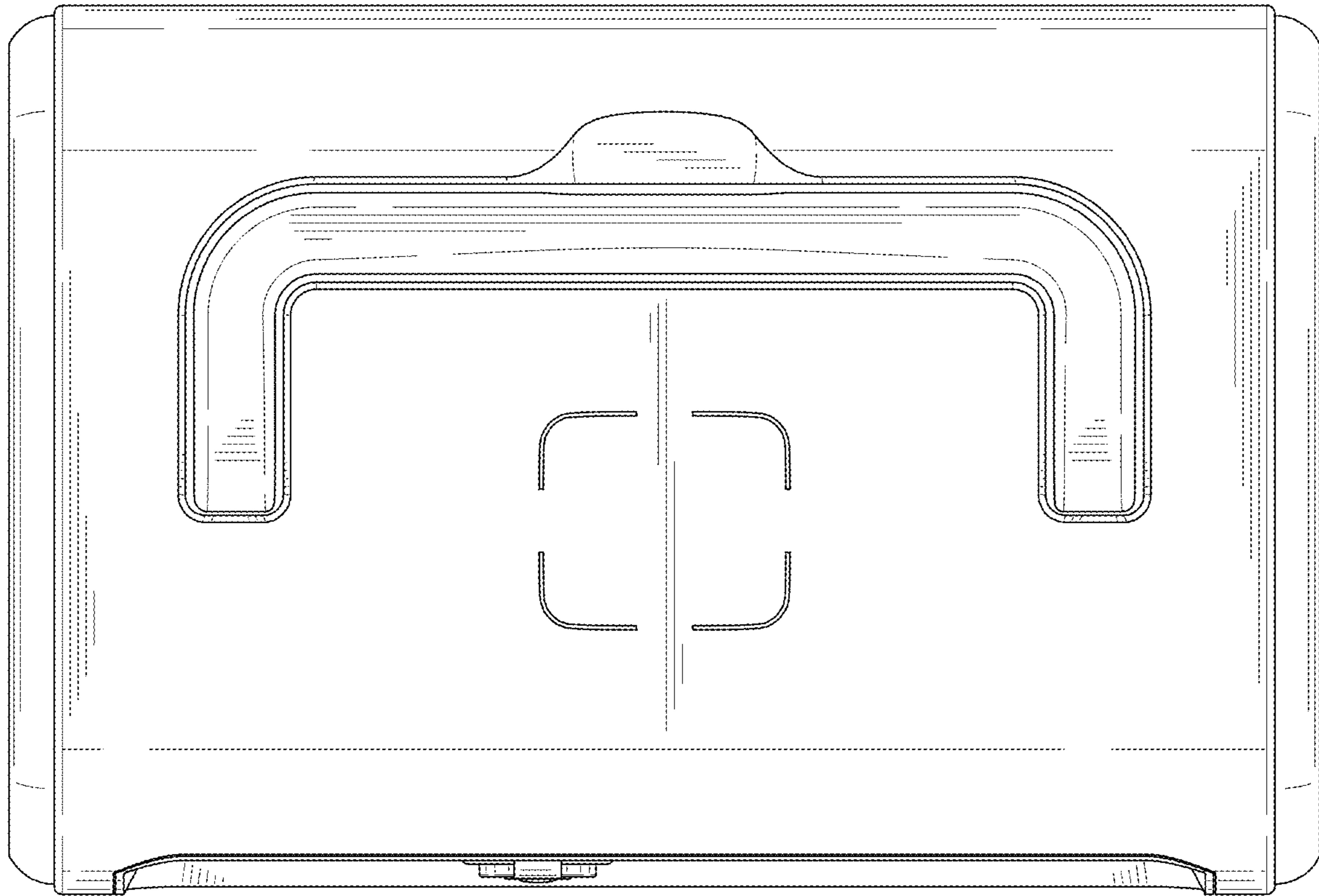


FIG. 7

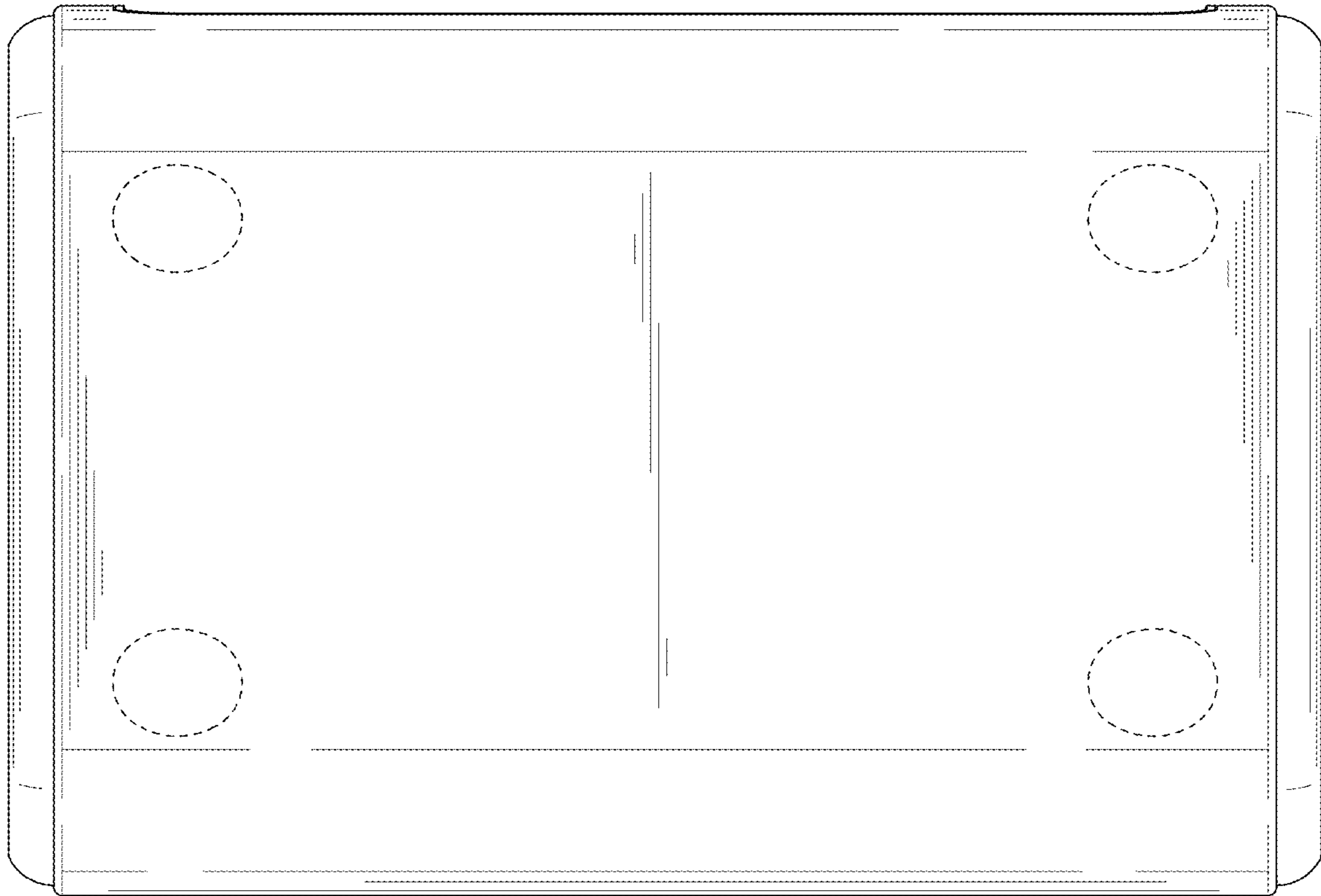


FIG. 8

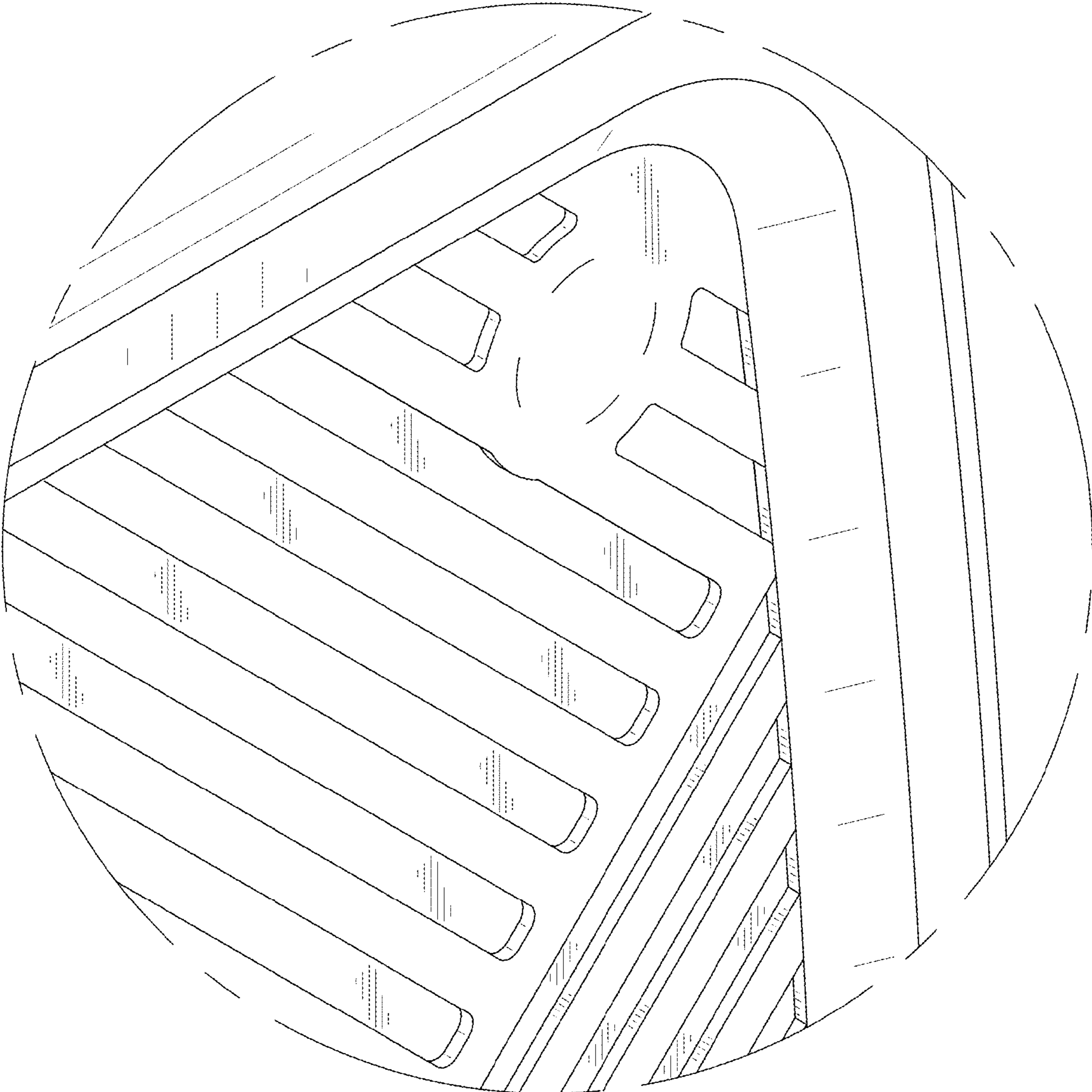


FIG. 9

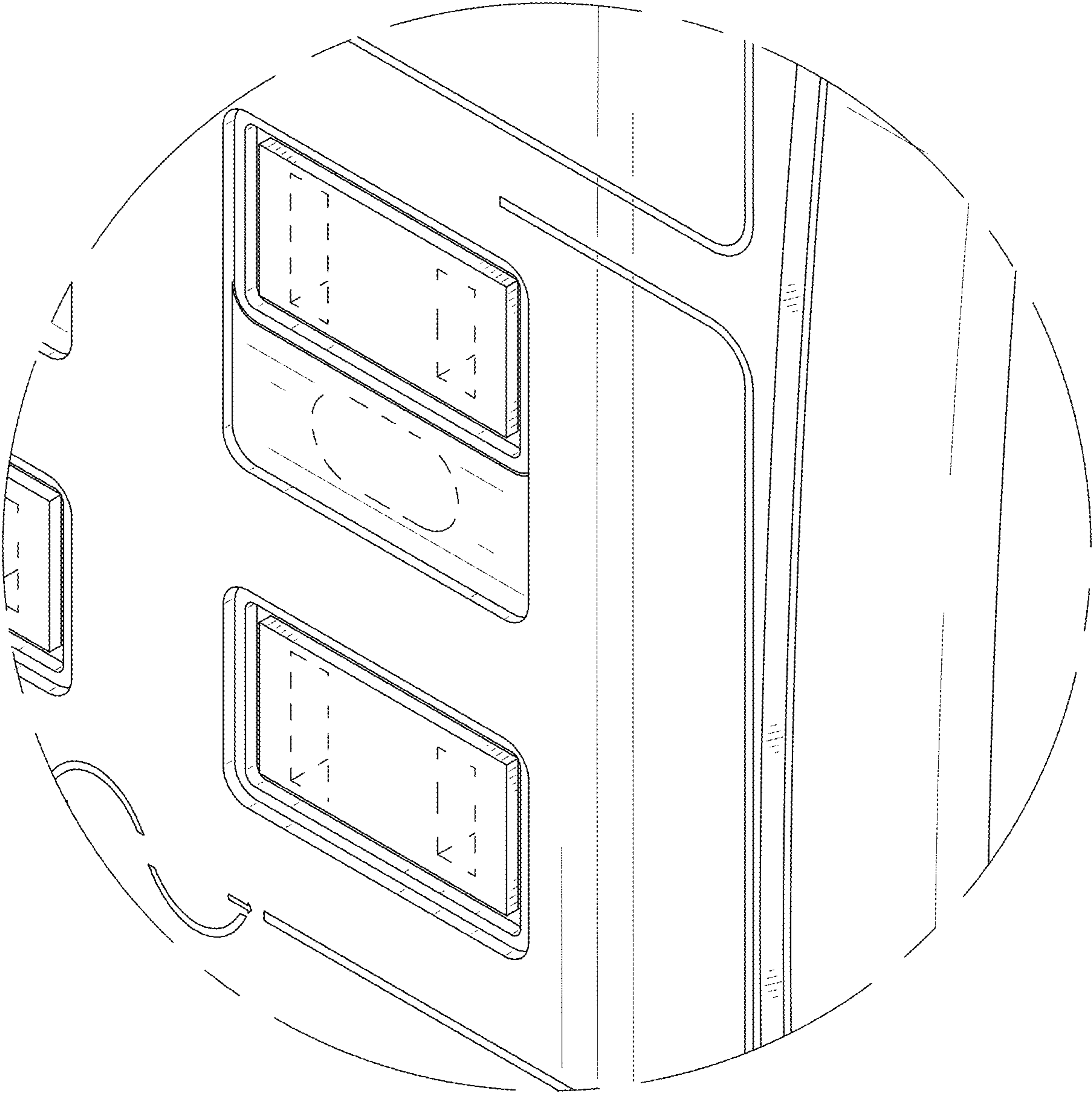


FIG. 10

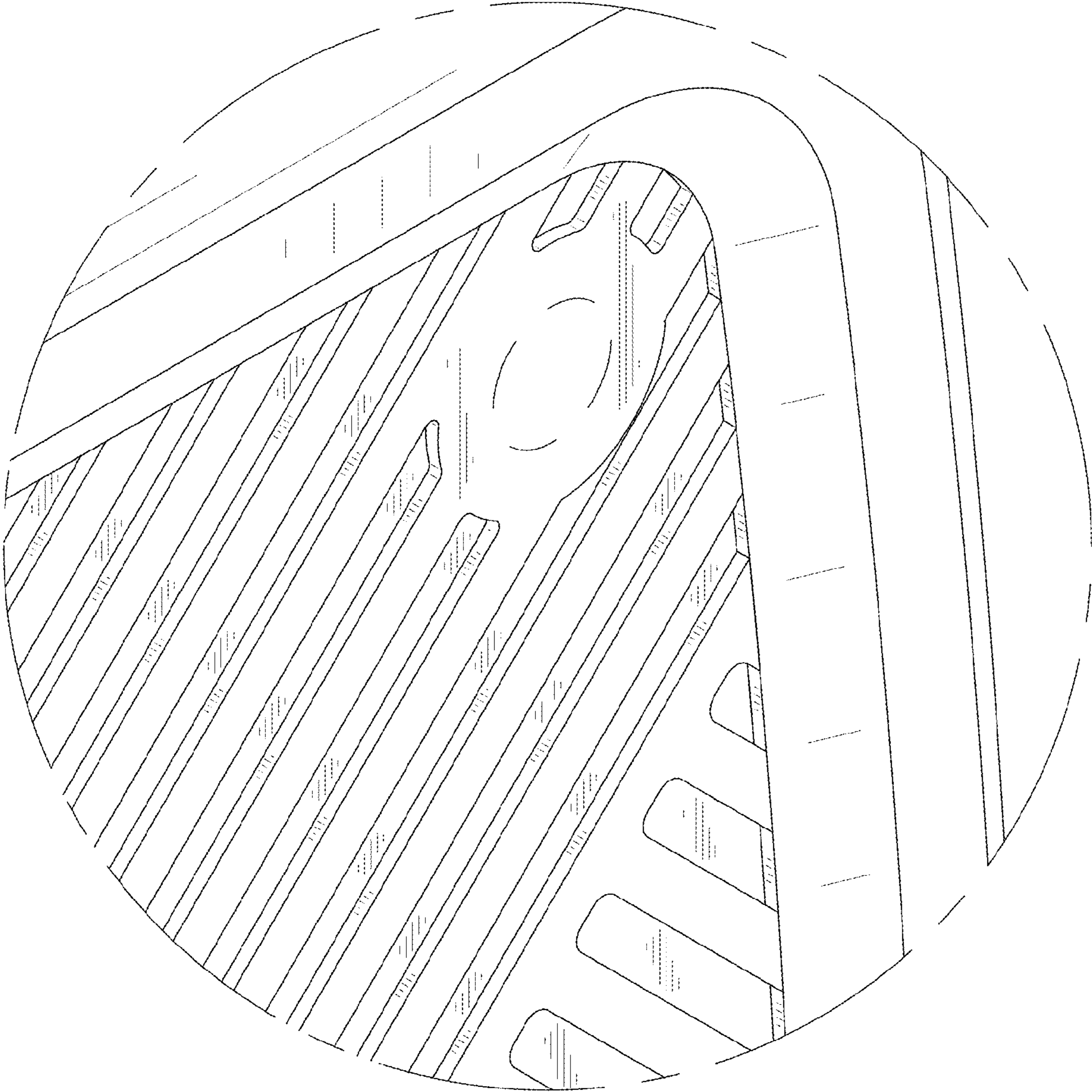


FIG. 11