



US00D965510S

(12) **United States Design Patent** (10) **Patent No.:** **US D965,510 S**
Li (45) **Date of Patent:** **** Oct. 4, 2022**

(54) **FOLDABLE SOLAR PANEL**

- (71) Applicant: **Jason Li**, Shenzhen (CN)
- (72) Inventor: **Jason Li**, Shenzhen (CN)
- (**) Term: **15 Years**
- (21) Appl. No.: **29/757,160**
- (22) Filed: **Nov. 4, 2020**
- (51) **LOC (13) Cl.** **13-02**
- (52) **U.S. Cl.**
USPC **D13/102**
- (58) **Field of Classification Search**
USPC D10/104.1; D13/101, 102, 103, 107,
D13/109, 118, 119, 184, 199; D14/371,
D14/432, 439, 441, 447, 451; D21/480,
D21/484; D25/109, 140, 144
CPC .. F21S 8/086; F21S 8/088; F21S 9/032; F21S
9/035; H01L 31/042; H01L 31/022425;
H01L 31/18
See application file for complete search history.

(56) **References Cited**

U.S. PATENT DOCUMENTS

| | | | | |
|--------------|---------|-------|-------|---------|
| D845,227 S * | 4/2019 | Wang | | D13/102 |
| D848,363 S * | 5/2019 | Bai | | D13/102 |
| D859,304 S * | 9/2019 | Wang | | D13/102 |
| D862,380 S * | 10/2019 | Liu | | D13/102 |
| D862,381 S * | 10/2019 | Wang | | D13/102 |
| D890,691 S * | 7/2020 | Wang | | D13/102 |
| D900,018 S * | 10/2020 | Lu | | D13/102 |
| D901,376 S * | 11/2020 | Lu | | D13/102 |
| D904,974 S * | 12/2020 | Sun | | D13/102 |
| D916,652 S * | 4/2021 | Gao | | D13/102 |
| D917,380 S * | 4/2021 | Gao | | D13/102 |
| D931,796 S * | 9/2021 | Huang | | D13/102 |
| D935,386 S * | 11/2021 | Wu | | D13/102 |

OTHER PUBLICATIONS

Foldable Solar Panels (Design—© Questel) orbit.com. [Online PDF compilation of references] 72 pgs. Print Dates Range Aug. 31, 2021-Mar. 30, 2021 [Retrieved Jan. 5, 2022].*

100W Solar Panel Foldable. Before Aug. 16, 2019. Jackery. <https://www.jackery.com/products/solarsaga-100w-solar-panel>.*

Acopower 120W Portable Solar Panel Kits. Jan. 10, 2020. Amazon, <https://www.amazon.in/ACOPOWER-Portable-Foldable-Controller-Suitcase/dp/B074ZR3RNP>.*

100 Watt 12 Volt Portable Solar Suitcase. 2018. Renogy. <https://www.renogy.com/100-watt-12-volt-monocrystalline-foldable-solar-suitcase-with-voyager/>.*

* cited by examiner

Primary Examiner — George D. Kirschbaum
Assistant Examiner — Suzanne E Tisdell

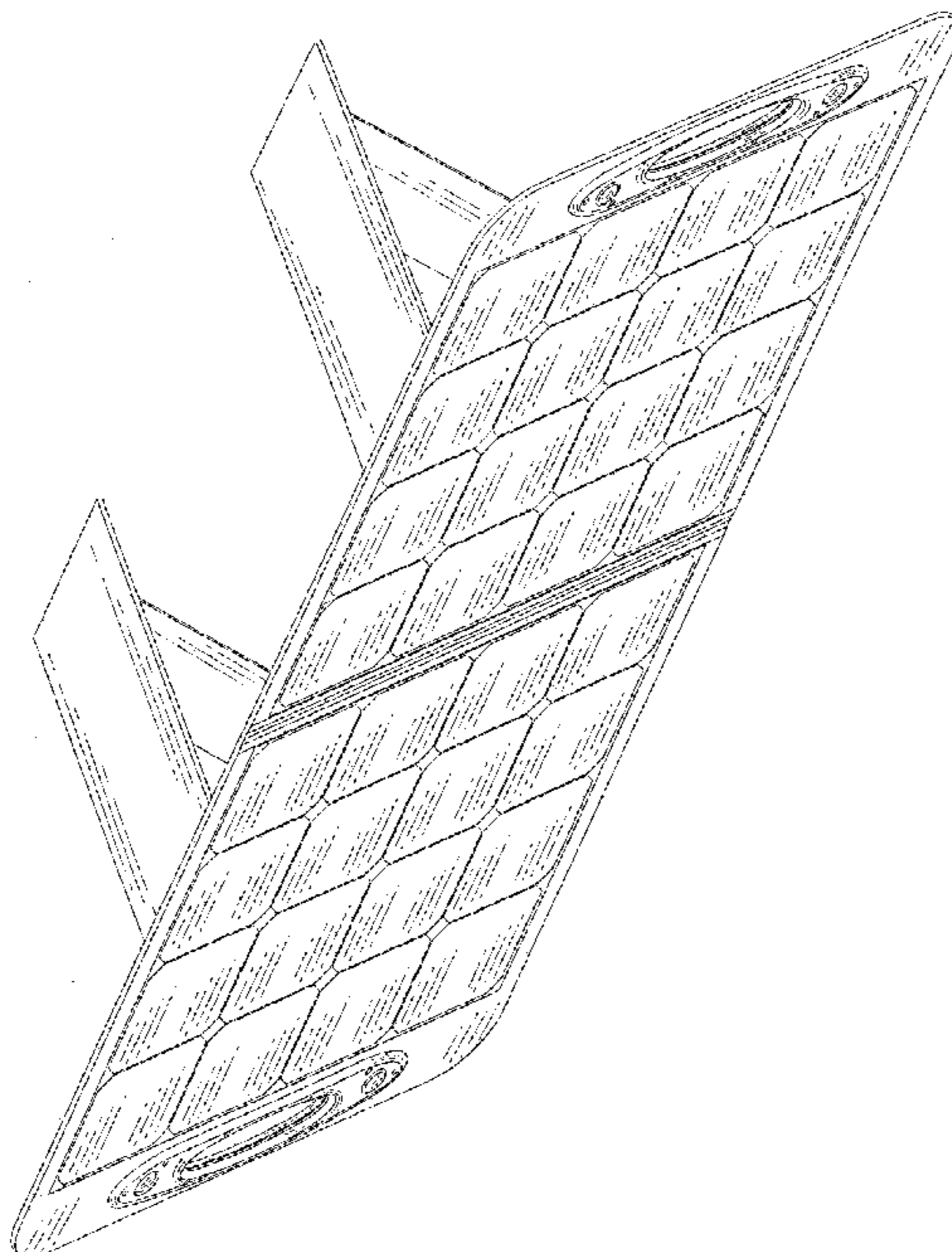
(57) **CLAIM**

The ornamental design for a foldable solar panel, as shown and described.

DESCRIPTION

FIG. 1 is a perspective view of a foldable solar panel showing my new design;
FIG. 2 is a front elevation view thereof;
FIG. 3 is a rear elevation view thereof;
FIG. 4 is a right side elevation view thereof;
FIG. 5 is a left side elevation view thereof;
FIG. 6 is a top plan view thereof; and,
FIG. 7 is a bottom plan view thereof.
The broken lines depict portions of the foldable solar panel and form no part of the claimed design.

1 Claim, 7 Drawing Sheets



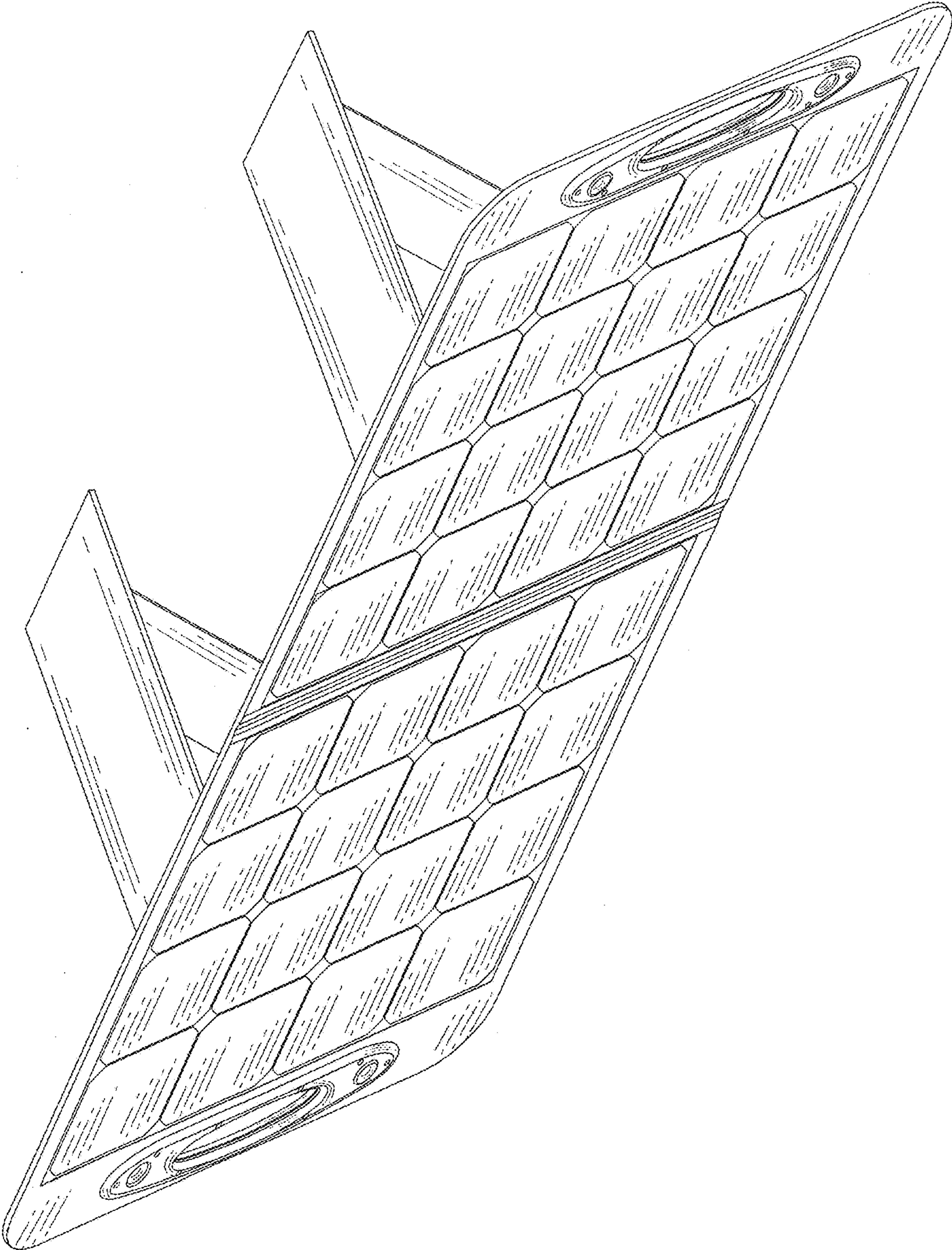


FIG. 1

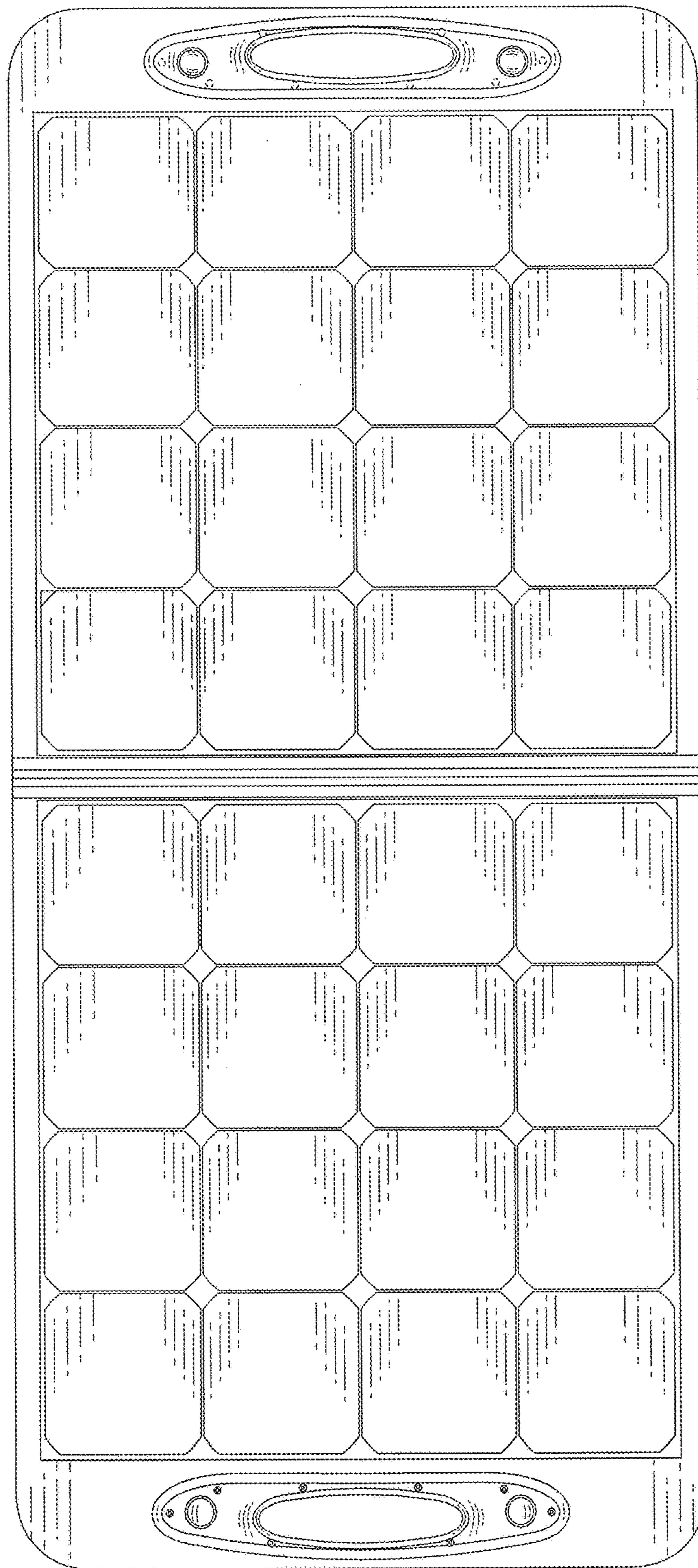


FIG. 2

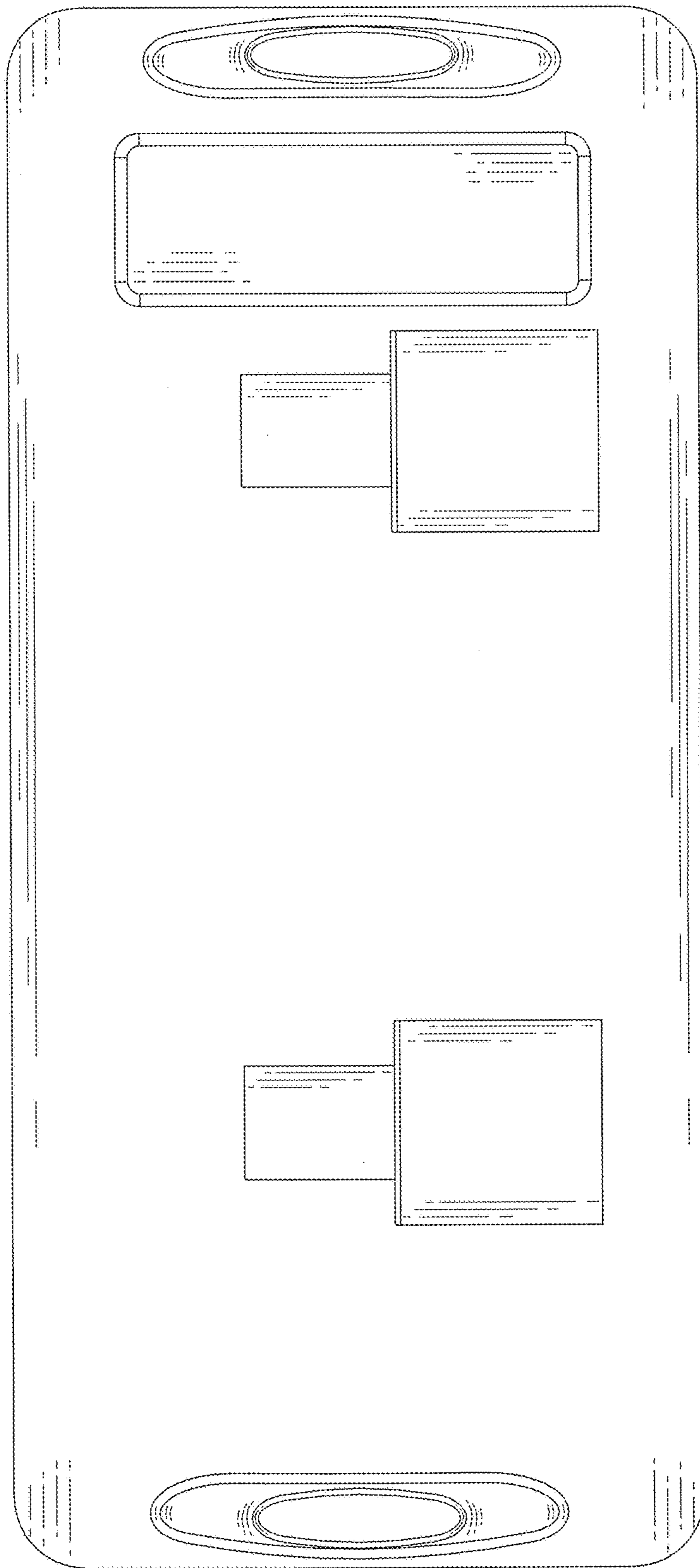


FIG. 3

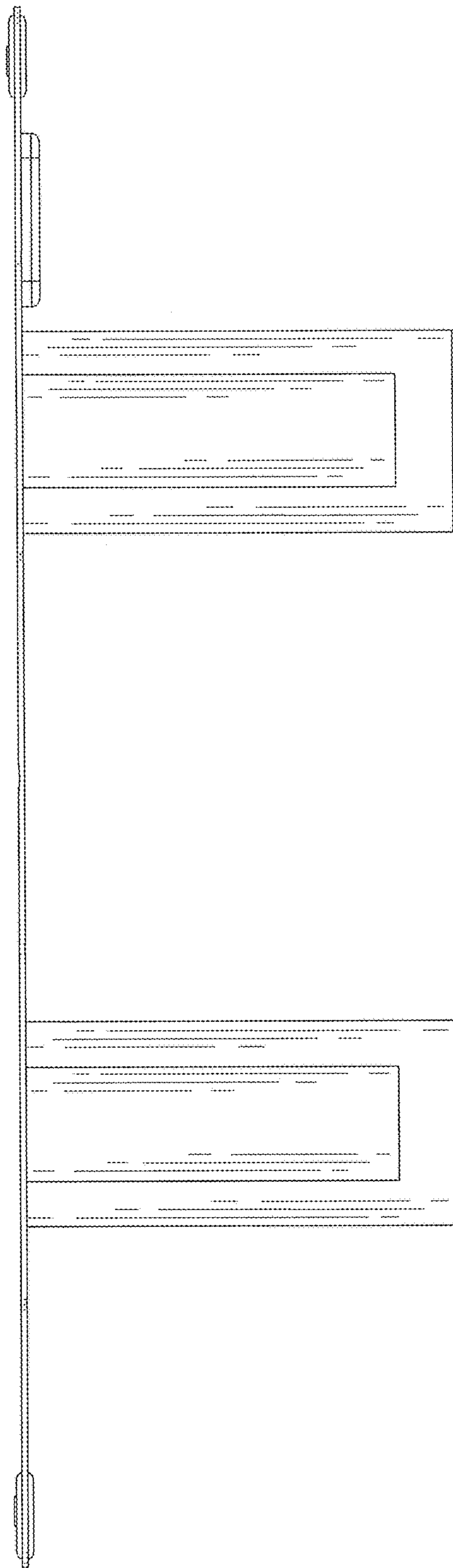


FIG. 4

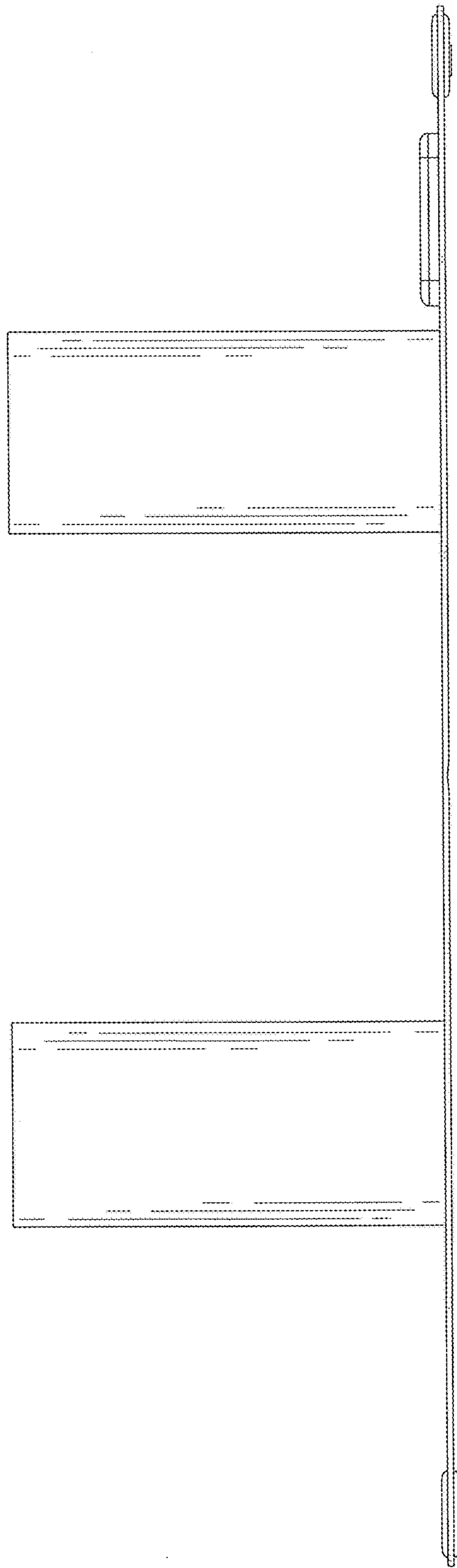


FIG. 5

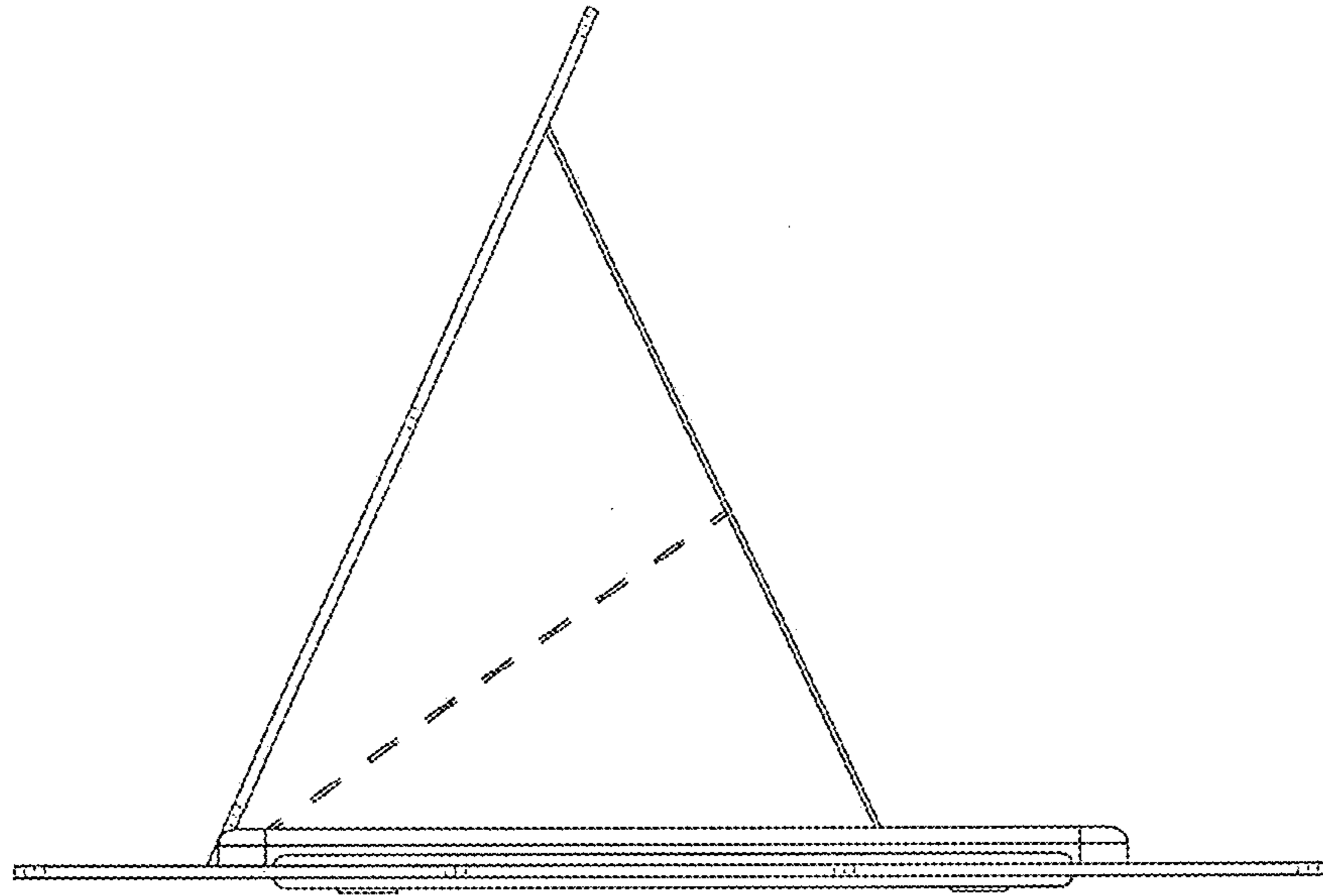


FIG. 6

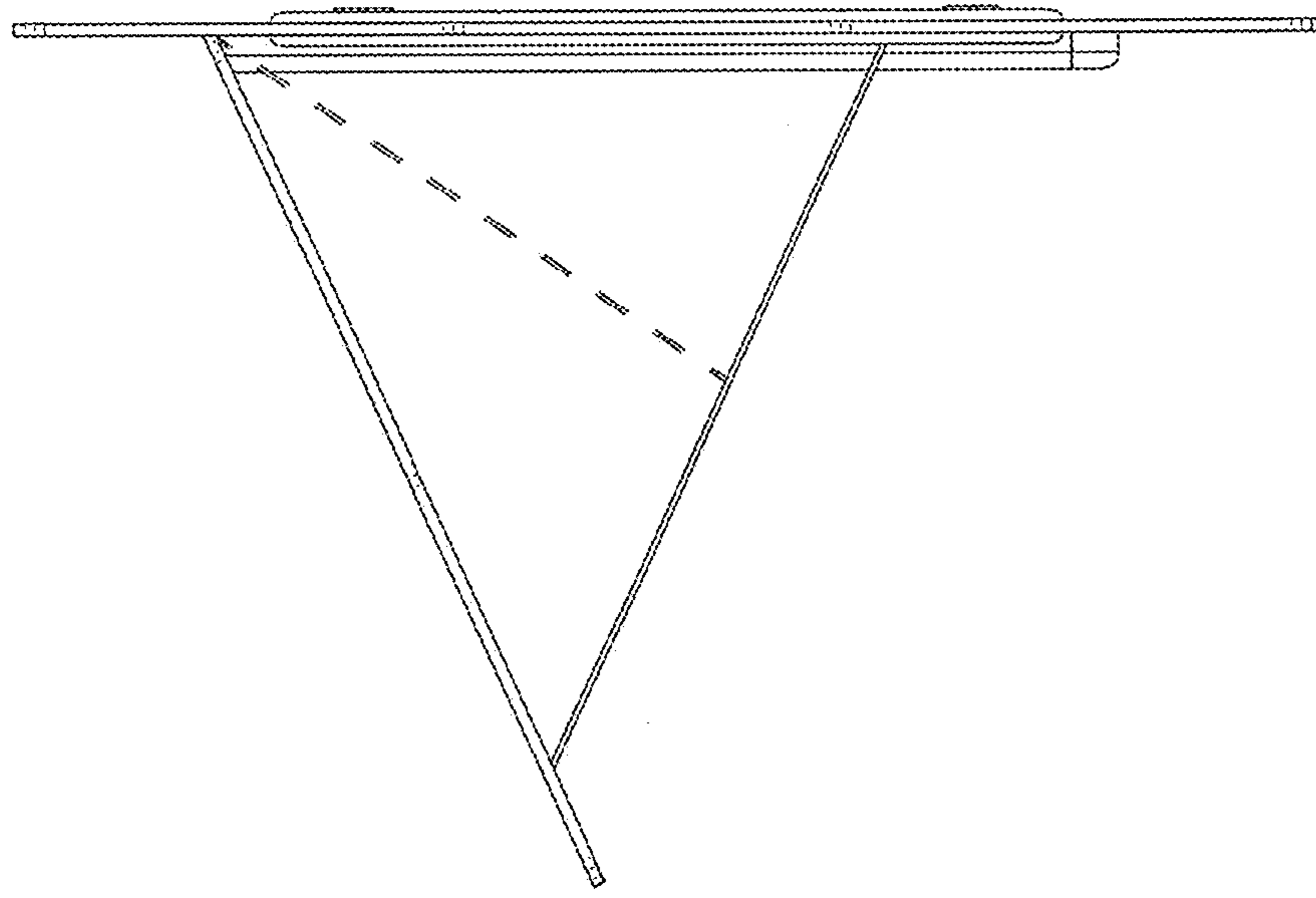


FIG. 7