



US00D965507S

(12) **United States Design Patent**
Li

(10) **Patent No.:** **US D965,507 S**

(45) **Date of Patent:** **** Oct. 4, 2022**

(54) **IN-CAR STORAGE BOX**

(71) Applicant: **Guangzhou Renli Trading Co., Ltd.,**
Guangzhou (CN)

(72) Inventor: **Ming Li,** Ganzhou (CN)

(73) Assignee: **Guangzhou Renli Trading Co., Ltd.,**
Guangzhou (CN)

(**) Term: **15 Years**

(21) Appl. No.: **29/818,280**

(22) Filed: **Dec. 8, 2021**

(51) **LOC (13) Cl.** **12-16**

(52) **U.S. Cl.**
USPC **D12/425**

(58) **Field of Classification Search**
USPC D12/425, 400, 406, 415-420, 424, 426
CPC B63B 25/00; B63B 7/085; B63B 35/00;
B63B 17/00; B60R 16/04
See application file for complete search history.

(56) **References Cited**

U.S. PATENT DOCUMENTS

D486,121 S	2/2004	Bergh et al.	
D496,494 S *	9/2004	Hood	D21/608
D821,959 S	7/2018	Baker	
D867,970 S	4/2019	Wu	
D884,578 S *	5/2020	Guo	D12/425

D912,608 S *	3/2021	Chen	D12/425
D916,647 S *	4/2021	Chen	D12/425
D922,935 S *	6/2021	Guo	D12/425
D935,381 S *	11/2021	Chen	D12/425
D940,057 S *	1/2022	Guo	D12/425
D942,366 S *	2/2022	Liang	D12/425
D943,496 S *	2/2022	Brumby	D12/425
D946,493 S *	3/2022	Huang	D12/425
D949,773 S *	4/2022	Huang	D12/425
D950,476 S *	5/2022	Gan	D12/425
D953,967 S *	6/2022	Liu	D12/425

* cited by examiner

Primary Examiner — Katrina A Betton

(74) *Attorney, Agent, or Firm* — True Shepherd LLC;
Andrew C. Cheng

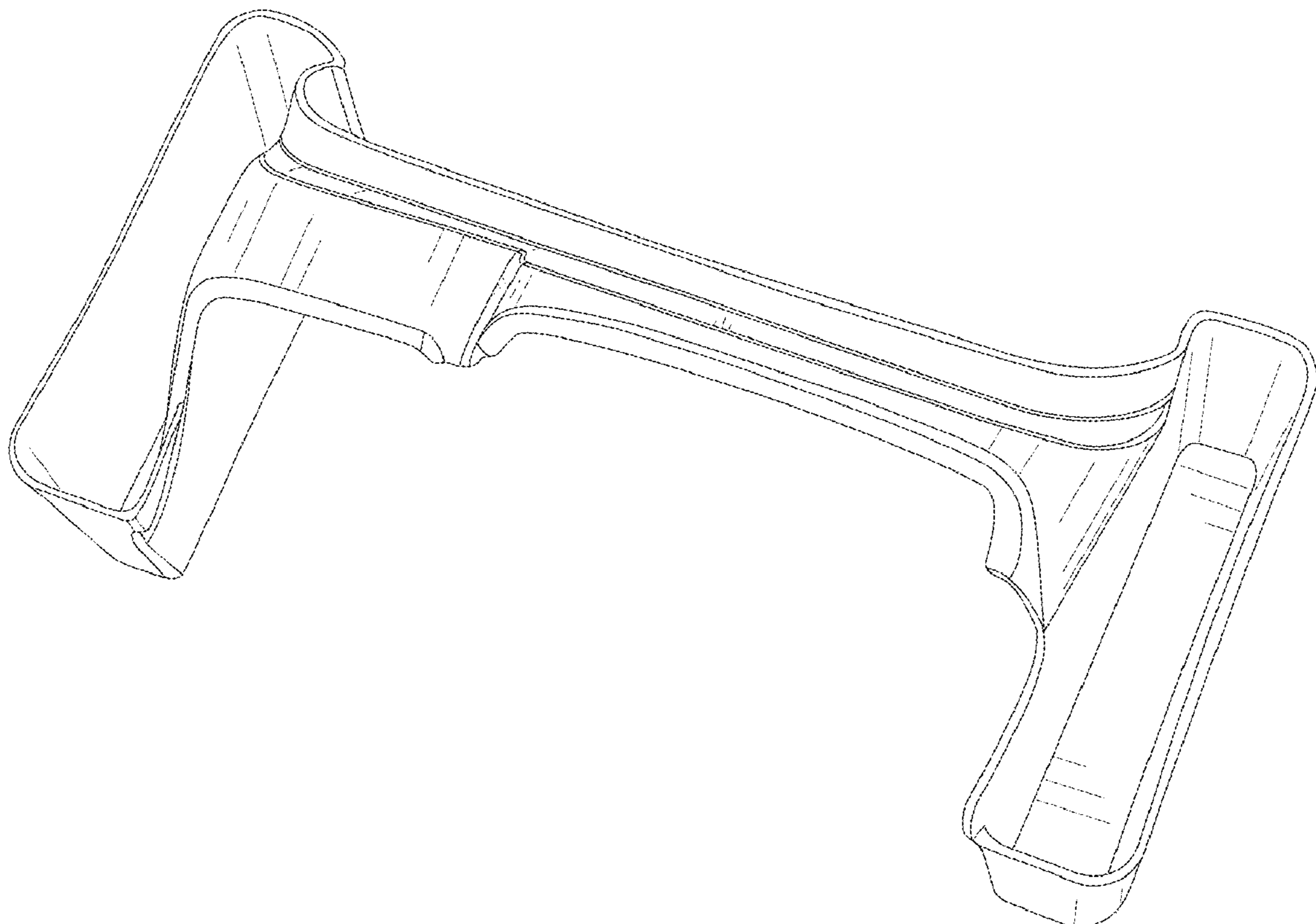
(57) **CLAIM**

The ornamental design for an in-car storage box, as shown and described.

DESCRIPTION

FIG. 1 is a perspective view of an in-car storage box showing my new design;
FIG. 2 is a front view thereof;
FIG. 3 is a rear view thereof;
FIG. 4 is a left side view thereof;
FIG. 5 is a right side view thereof;
FIG. 6 is a top plan view thereof; and,
FIG. 7 is a bottom plan view thereof.

1 Claim, 7 Drawing Sheets



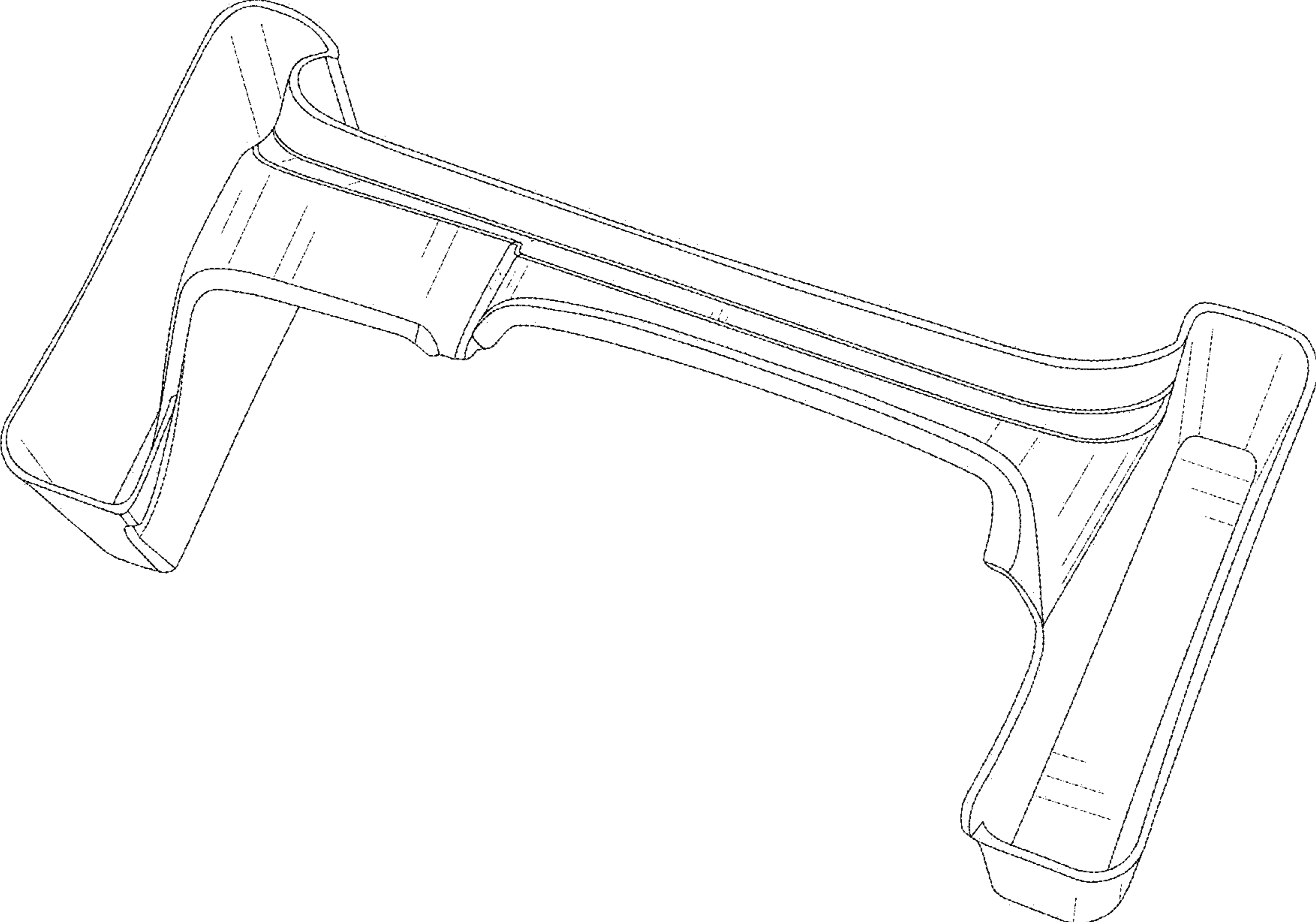


FIG. 1

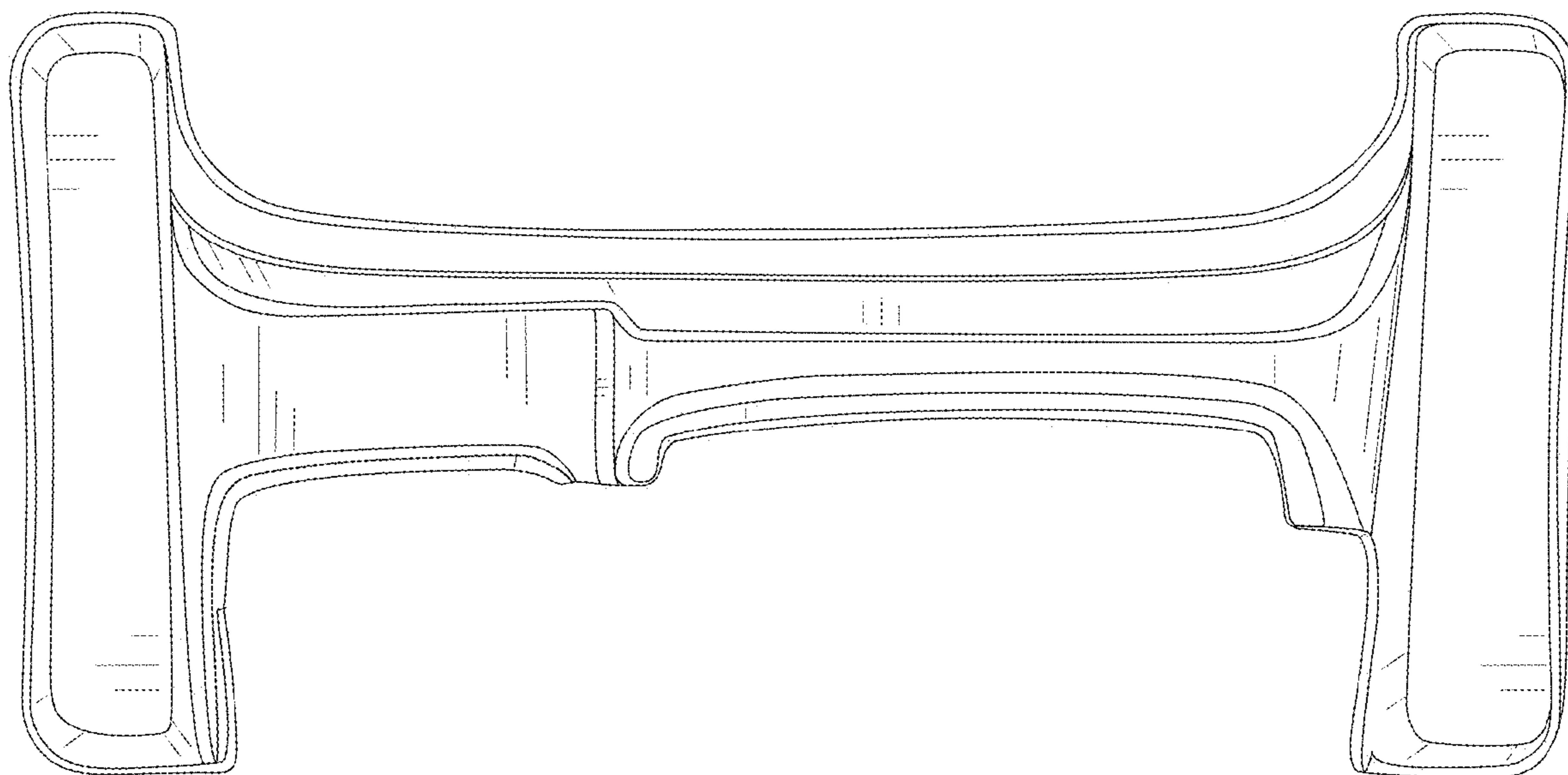


FIG. 2

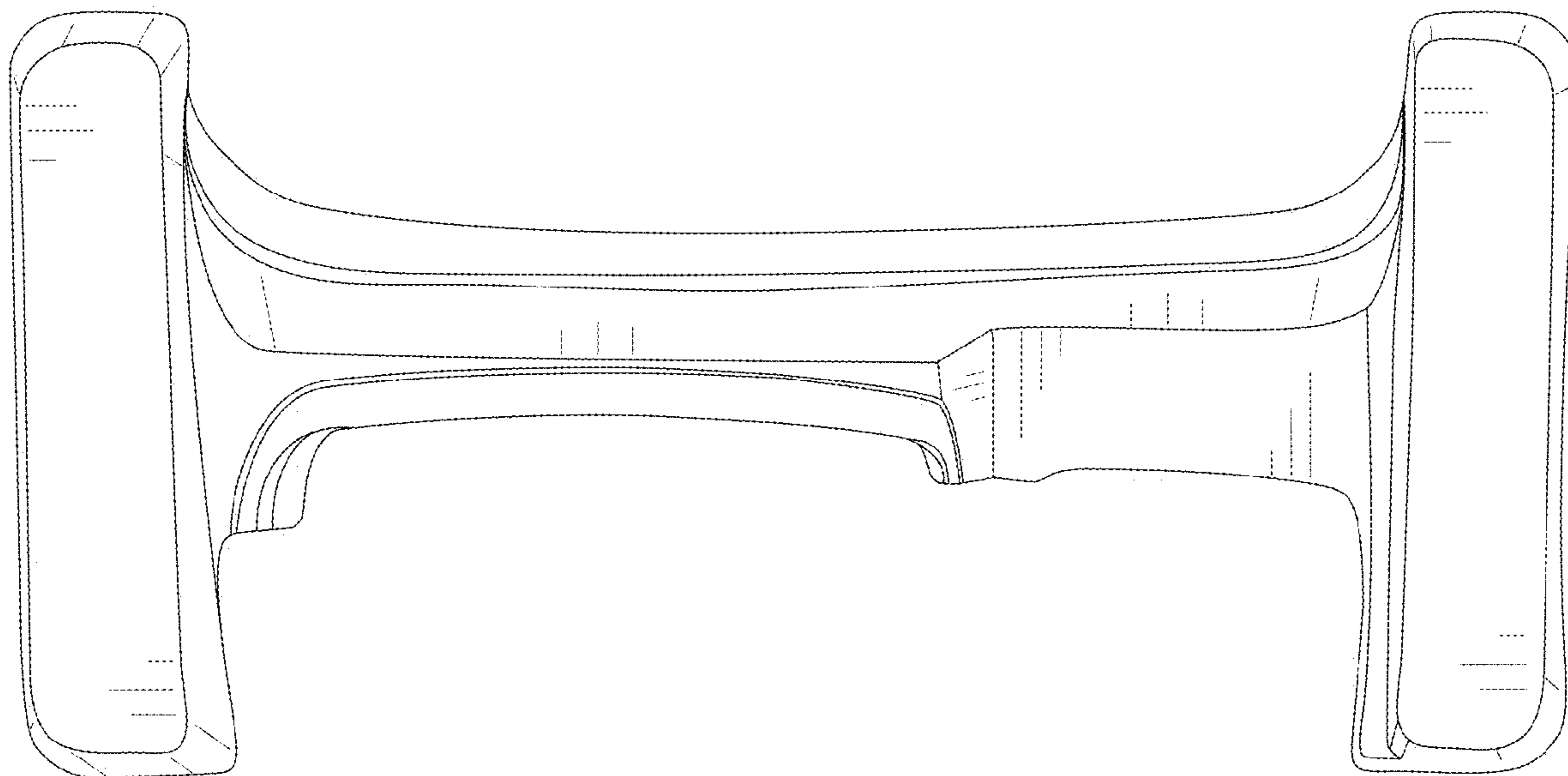


FIG. 3

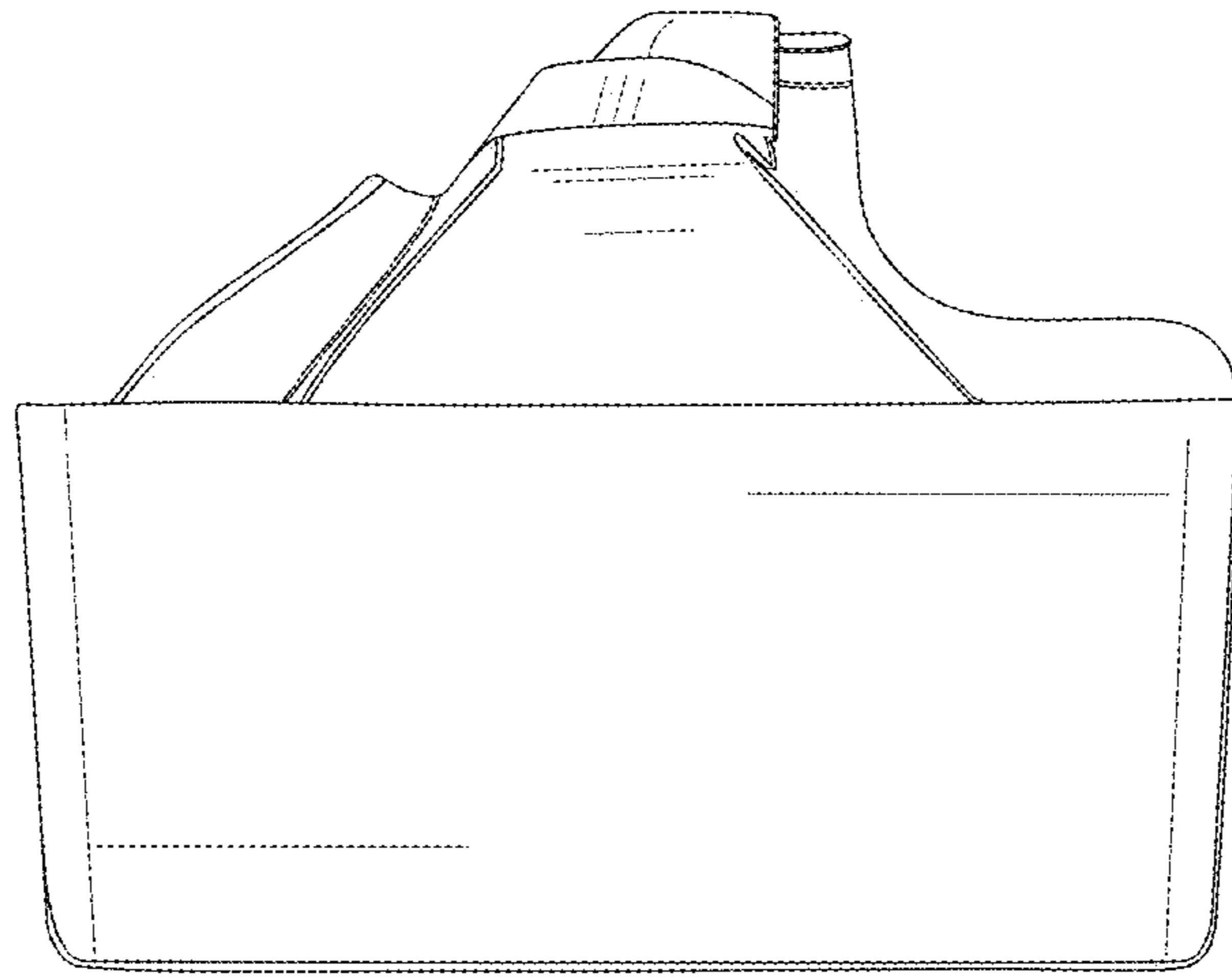


FIG. 4

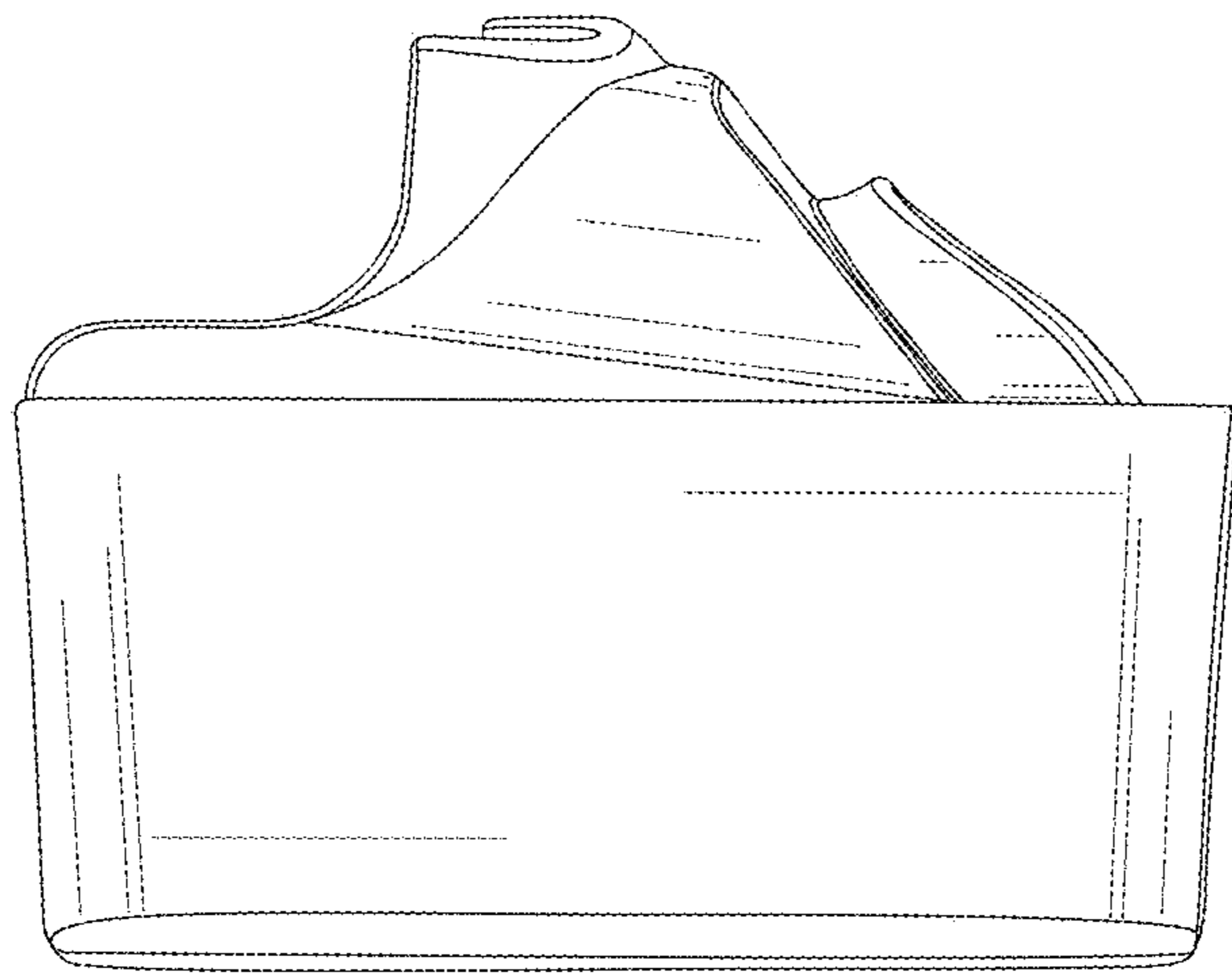


FIG. 5

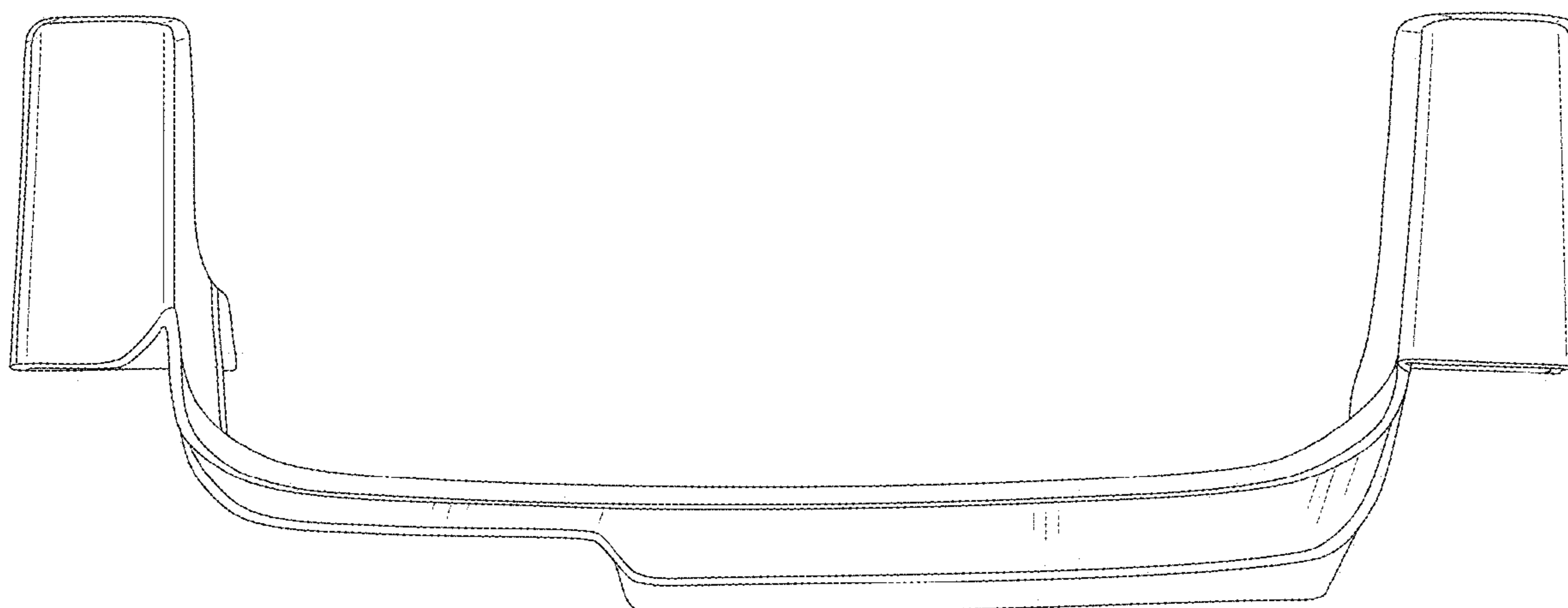


FIG. 6

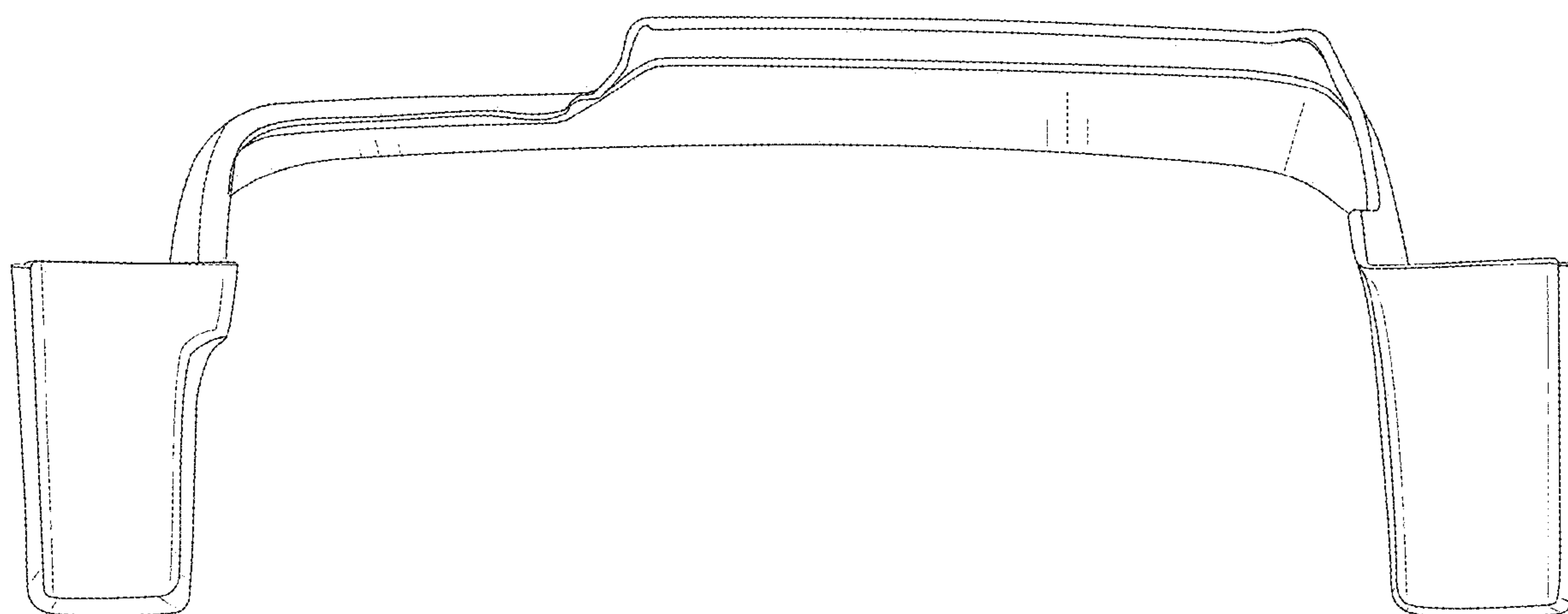


FIG. 7



US00D965507C1

(12) **EX PARTE REEXAMINATION CERTIFICATE** (12553rd)
United States Patent
Li

(10) **Number:** **US D965,507 C1**
(45) **Certificate Issued:** **Mar. 22, 2024**

(54) **IN-CAR STORAGE BOX**

(71) Applicant: **Guangzhou Renli Trading Co., Ltd.**,
Guangzhou (CN)

(72) Inventor: **Ming Li**, Ganzhou (CN)

Reexamination Request:

No. 90/015,185, Jan. 5, 2023

Reexamination Certificate for:

Patent No.: **Des. 965,507**

Issued: **Oct. 4, 2022**

Appl. No.: **29/818,280**

Filed: **Dec. 8, 2021**

(51) **LOC (14) Cl.** **12-16**

(52) **U.S. Cl.**

USPC **D12/425**

(58) **Field of Classification Search**

USPC D2/828-831, 832, 839, 750

CPC ... A41D 3/00; A41D 3/02; A41D 3/04; A41D

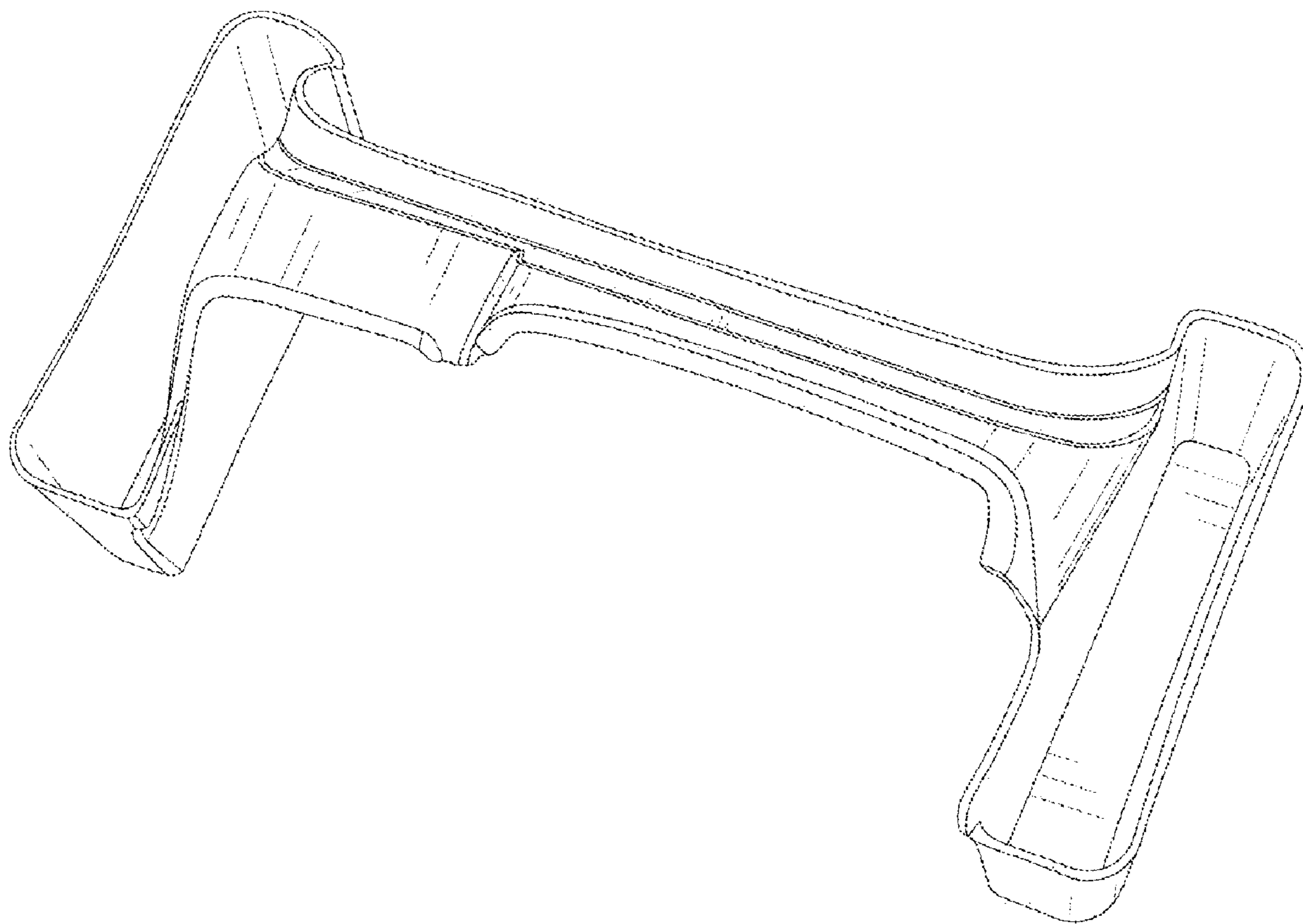
1/00; A41D 1/02

See application file for complete search history.

(56) **References Cited**

To view the complete listing of prior art documents cited during the proceeding for Reexamination Control Number 90/015,185, please refer to the USPTO's Patent Electronic System.

Primary Examiner — Darlington Ly



1
EX PARTE
REEXAMINATION CERTIFICATE

THE PATENT IS HEREBY AMENDED AS 5
INDICATED BELOW.

AS A RESULT OF REEXAMINATION, IT HAS BEEN
DETERMINED THAT:

The claim 1 is cancelled. 10

* * * * *