



US00D965506S

(12) **United States Design Patent**  
**Pan**

(10) **Patent No.:** **US D965,506 S**

(45) **Date of Patent:** **\*\* Oct. 4, 2022**

(54) **SEAT GAP FILLER**

(71) Applicant: **Jinlu Pan**, Zhejiang (CN)

(72) Inventor: **Jinlu Pan**, Zhejiang (CN)

(\*\*) Term: **15 Years**

(21) Appl. No.: **29/836,242**

(22) Filed: **Apr. 26, 2022**

(51) **LOC (13) Cl.** ..... **12-16**

(52) **U.S. Cl.**  
USPC ..... **D12/422**

(58) **Field of Classification Search**  
USPC ..... D12/422, 400, 217; D9/678, 681, 711;  
D3/11, 203.5, 206, 23, 265  
CPC ..... B60N 2/44; B60J 9/00; B60R 11/00  
See application file for complete search history.

(56) **References Cited**

**U.S. PATENT DOCUMENTS**

D338,780 S *	8/1993	Rance	.....	D3/206
D365,730 S *	1/1996	Brightbill	.....	D3/313
D441,341 S *	5/2001	Hassett	.....	D12/416
D493,995 S *	8/2004	Chen	.....	D6/553
D496,179 S *	9/2004	Sjoberg	.....	D6/675
D729,549 S *	5/2015	Williams	.....	D6/675

D737,681 S *	9/2015	Martinson	.....	D9/456
D832,115 S *	10/2018	Fitchett	.....	D3/307
D856,264 S *	8/2019	Kemerer	.....	D12/416
D874,827 S *	2/2020	Li	.....	D3/313
D931,188 S *	9/2021	Yang	.....	D12/416
D938,344 S	12/2021	Zhou et al.		

\* cited by examiner

*Primary Examiner* — Katrina A Betton

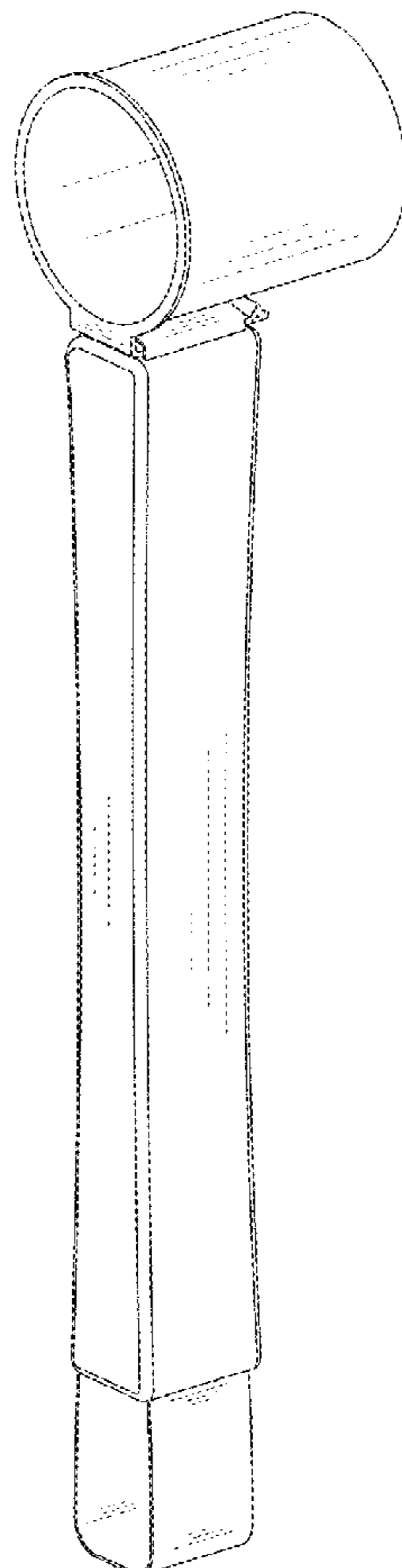
(57) **CLAIM**

The ornamental design for a seat gap filler, as shown and described.

**DESCRIPTION**

FIG. 1 is a perspective view of a seat gap filler, showing my new design;  
FIG. 2 is an alternative perspective view thereof;  
FIG. 3 is a front elevation view thereof;  
FIG. 4 is a rear elevation view thereof;  
FIG. 5 is a left side elevation view thereof;  
FIG. 6 is a right side elevation view thereof;  
FIG. 7 is a top plan view thereof; and,  
FIG. 8 is a bottom plan view thereof.

**1 Claim, 8 Drawing Sheets**



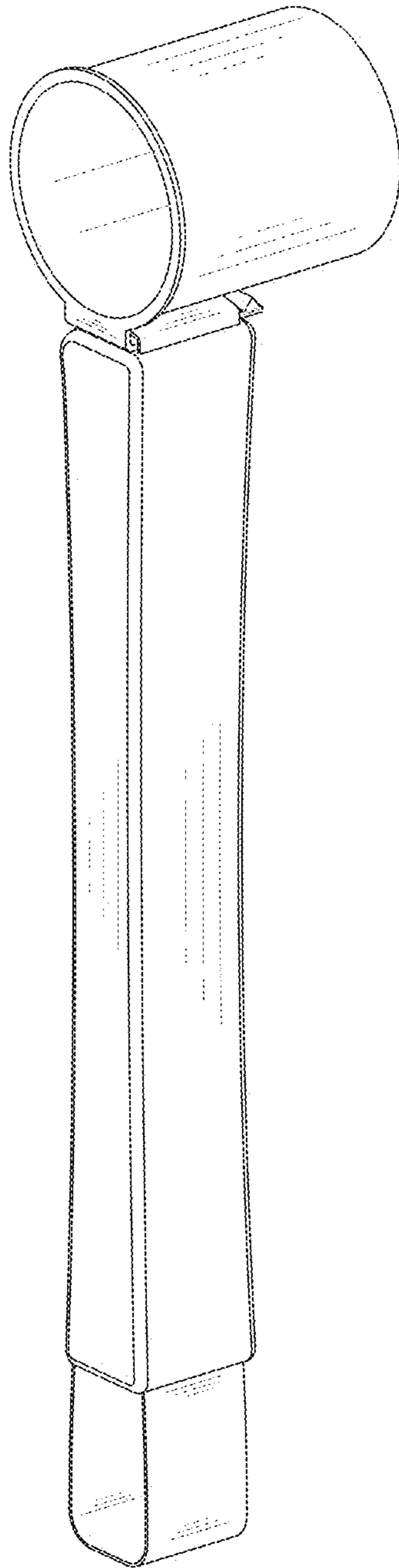


FIG. 1

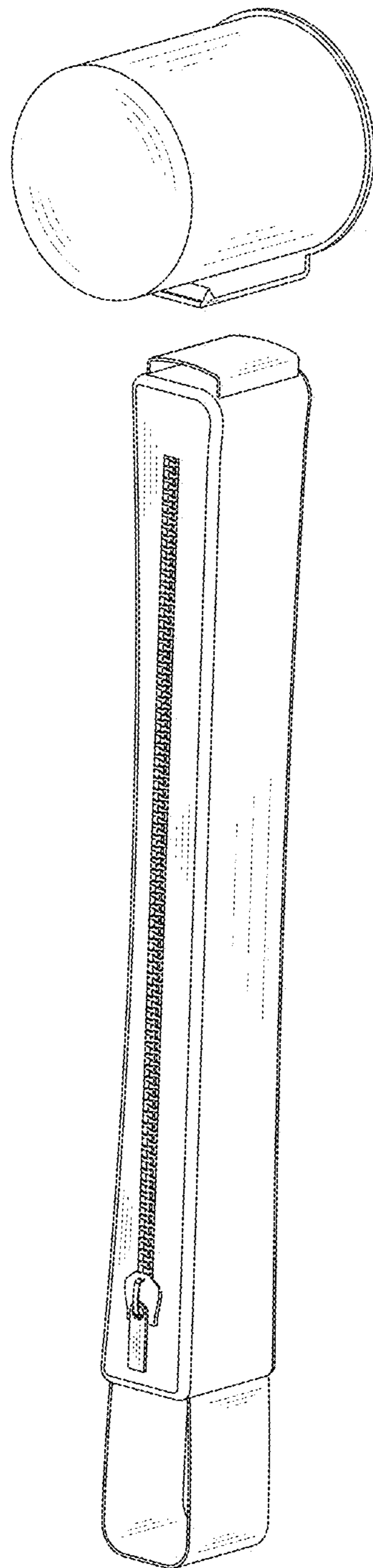


FIG. 2

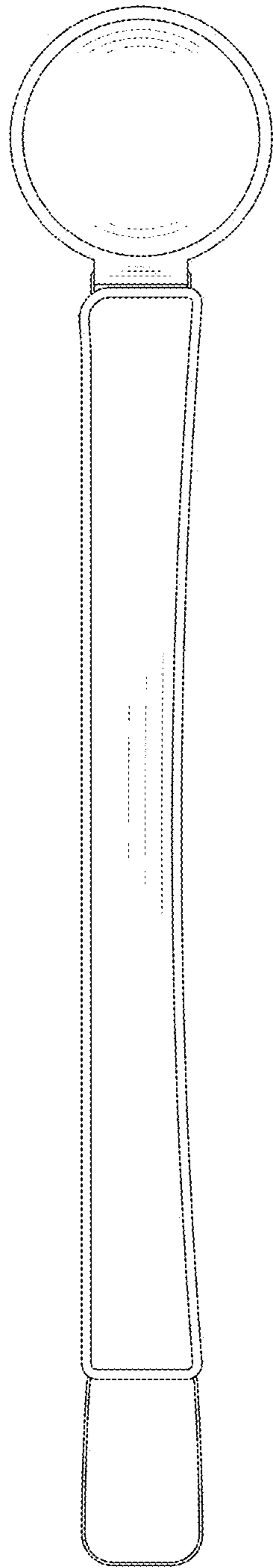


FIG. 3

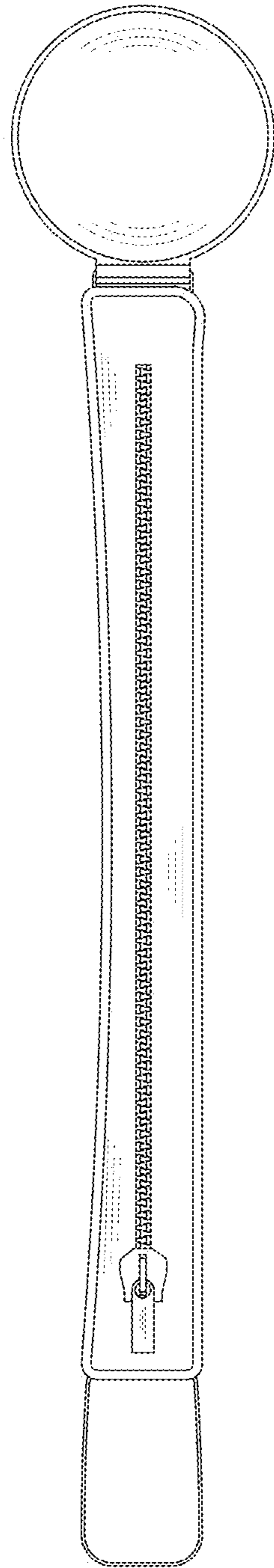


FIG. 4

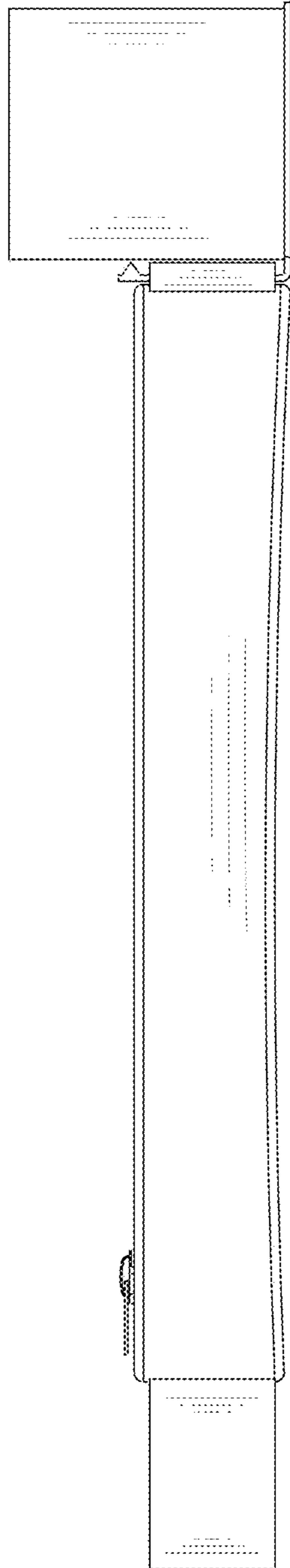


FIG. 5

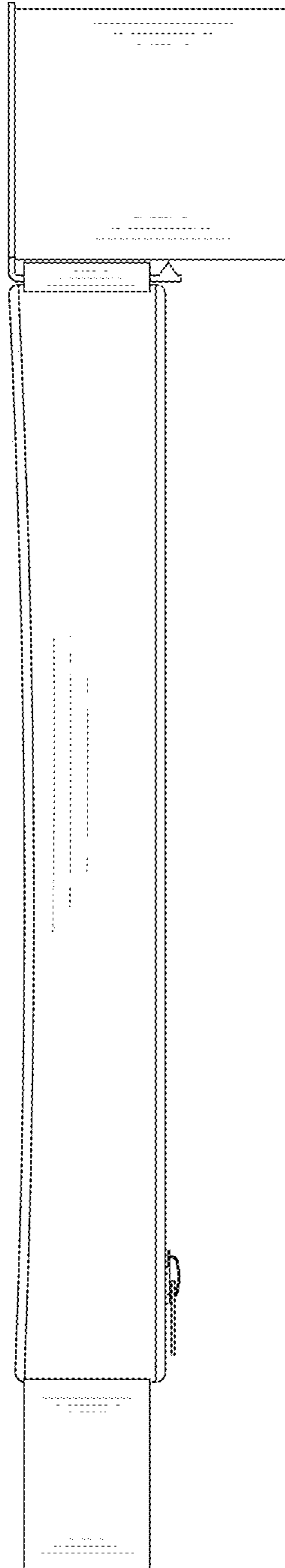


FIG. 6

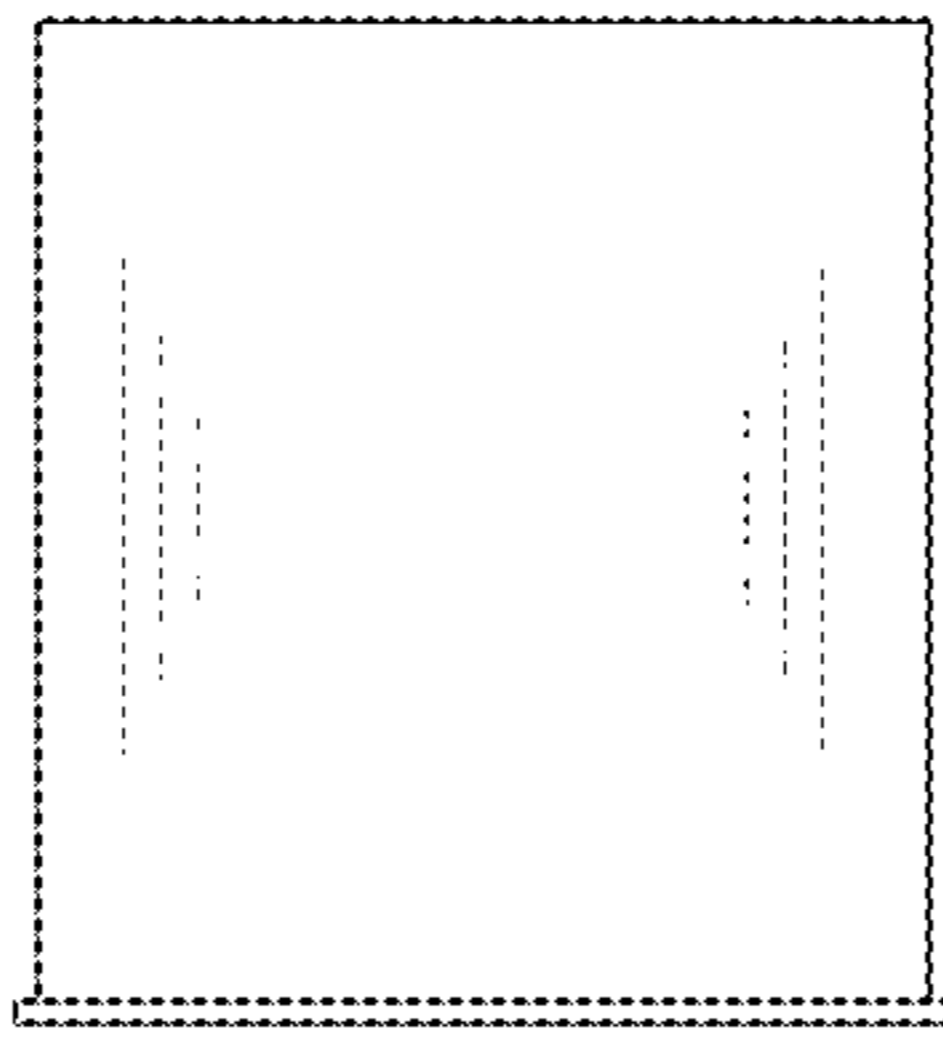


FIG. 7



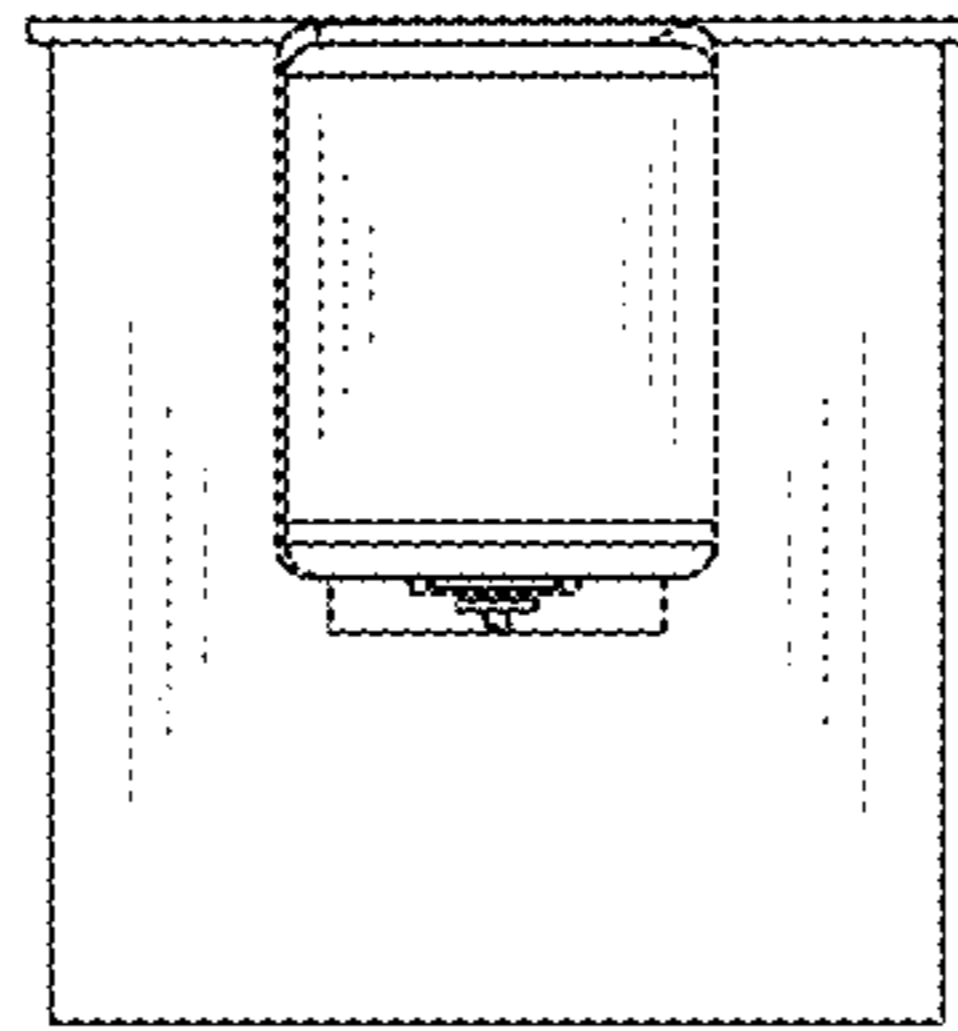


FIG. 8