



US00D965505S

(12) **United States Design Patent**  
**Wu**

(10) **Patent No.:** **US D965,505 S**  
(45) **Date of Patent:** **\*\* Oct. 4, 2022**

(54) **SUNGLASSES HOLDER FOR CAR**

(71) Applicant: **Wangfan Wu**, Anqing (CN)

(72) Inventor: **Wangfan Wu**, Anqing (CN)

(\*\*) Term: **15 Years**

(21) Appl. No.: **29/836,293**

(22) Filed: **Apr. 26, 2022**

(51) **LOC (13) Cl.** ..... **12-16**

(52) **U.S. Cl.**  
USPC ..... **D12/417**

(58) **Field of Classification Search**  
USPC ..... D12/415-420, 40, 191, 106, 195, 192,  
D12/345, 96, 99

CPC ..... B60R 7/04; B60R 7/08  
See application file for complete search history.

(56) **References Cited**

**U.S. PATENT DOCUMENTS**

D423,777 S *	5/2000	Folisi	.....	D3/266
D578,468 S *	10/2008	Bergh	.....	D12/417
D623,570 S *	9/2010	Hamburger	.....	D12/173
D628,532 S *	12/2010	Niu	.....	D12/417
D657,731 S *	4/2012	Fried	.....	D12/417
D658,569 S *	5/2012	Horton	.....	D12/417
8,567,649 B1 *	10/2013	Cabak	.....	B60R 7/082 206/5

D881,870 S *	4/2020	Riley	.....	D3/218
D897,933 S *	10/2020	Flood	.....	D12/417
D908,465 S	1/2021	Chen		
D925,435 S *	7/2021	Tung	.....	D12/415
2005/0263661 A1 *	12/2005	Park	.....	A42B 1/247 248/292.12
2011/0069481 A1 *	3/2011	Chen	.....	B60R 7/082 224/400
2014/0198929 A1 *	7/2014	Honeycutt	.....	H04R 1/028 381/74

\* cited by examiner

*Primary Examiner* — Katrina A Betton

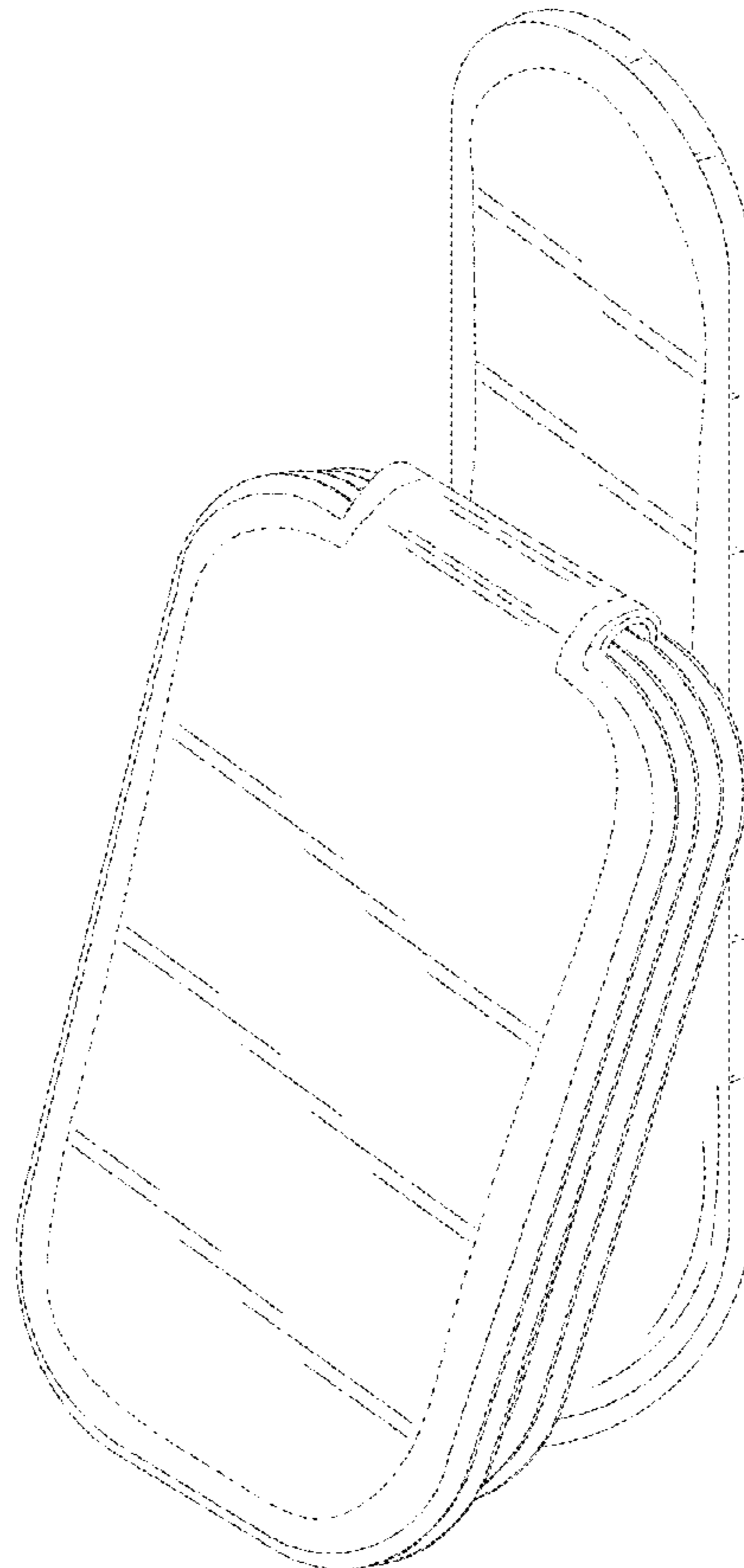
(57) **CLAIM**

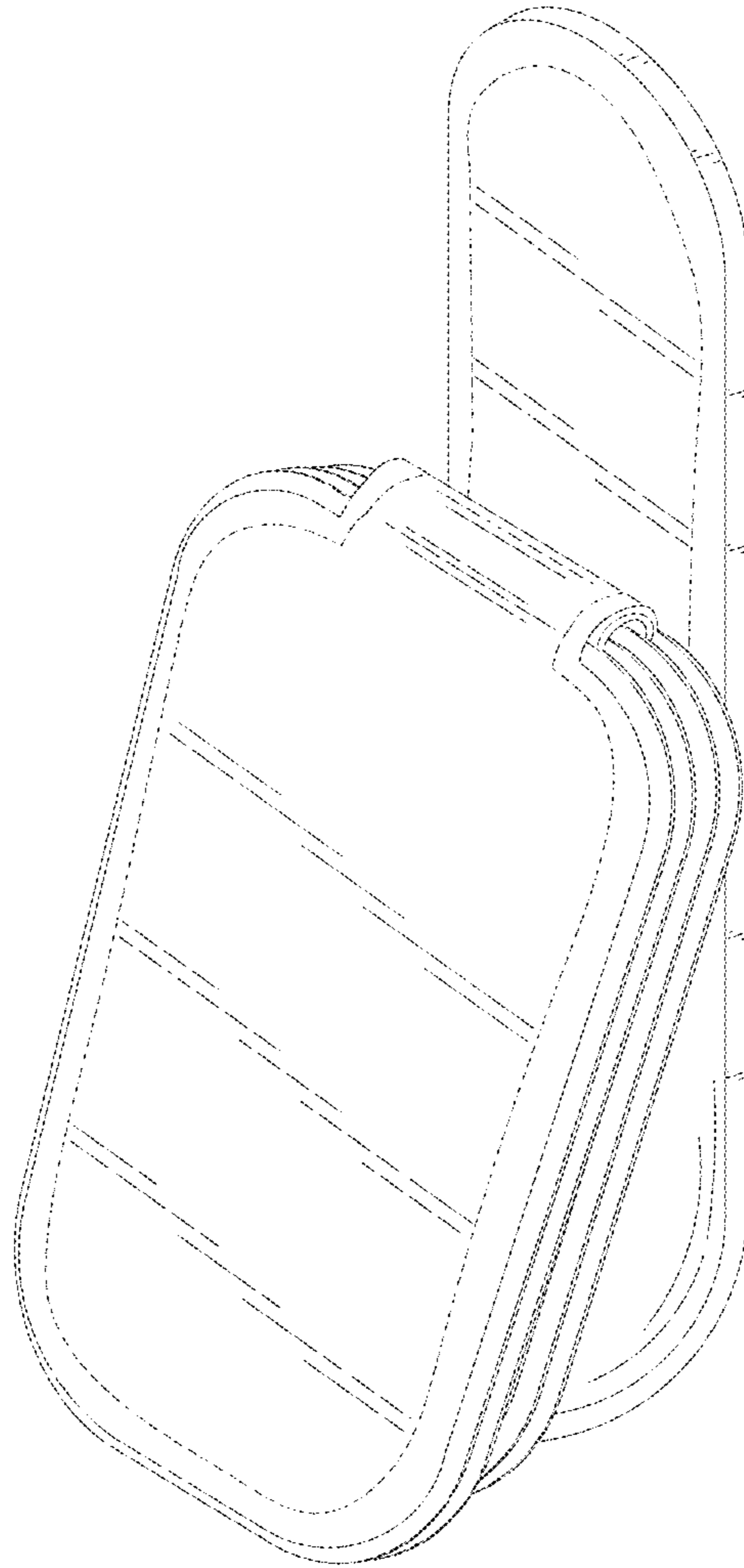
The ornamental design for a sunglasses holder for car, as shown and described.

**DESCRIPTION**

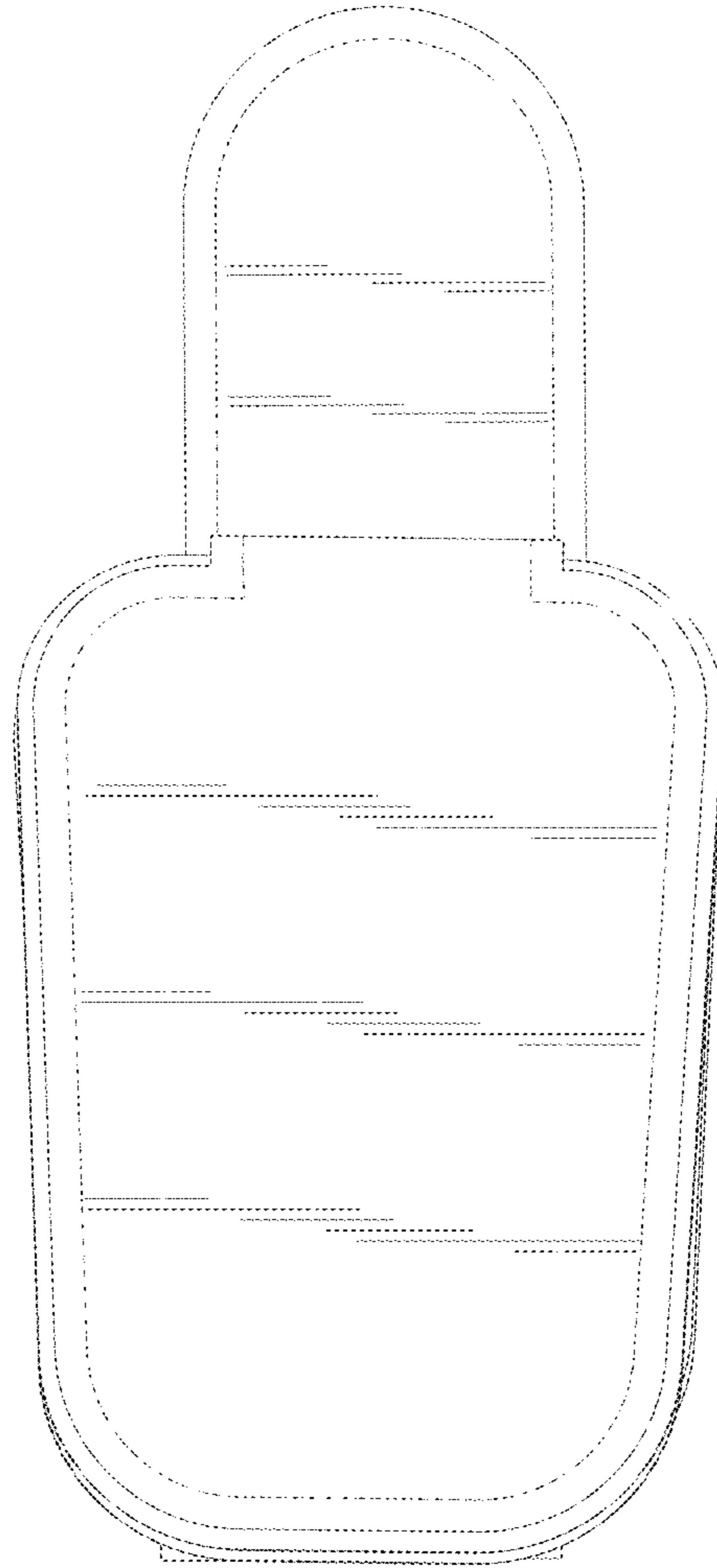
FIG. 1 is a front, top and right side perspective view of a sunglasses holder for car, showing my new design; FIG. 2 is a front view thereof; FIG. 3 is a rear view thereof; FIG. 4 is a right side view thereof; FIG. 5 is a left side view thereof; FIG. 6 is a top view thereof; FIG. 7 is a bottom view thereof; and, FIG. 8 is its expanded state view thereof. The broken lines in the drawings illustrate the portions of the sunglasses holder for car, which form no part of the claimed design.

**1 Claim, 8 Drawing Sheets**

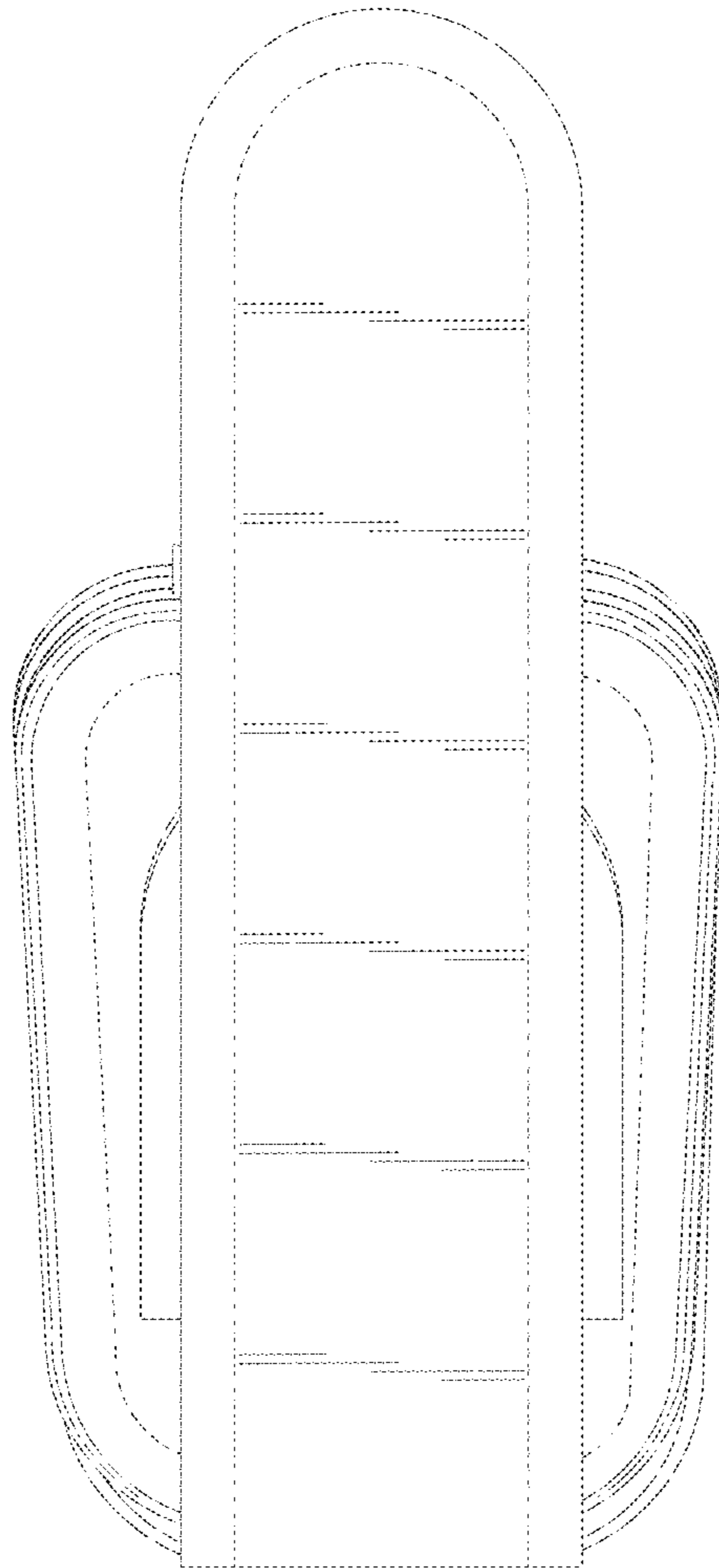




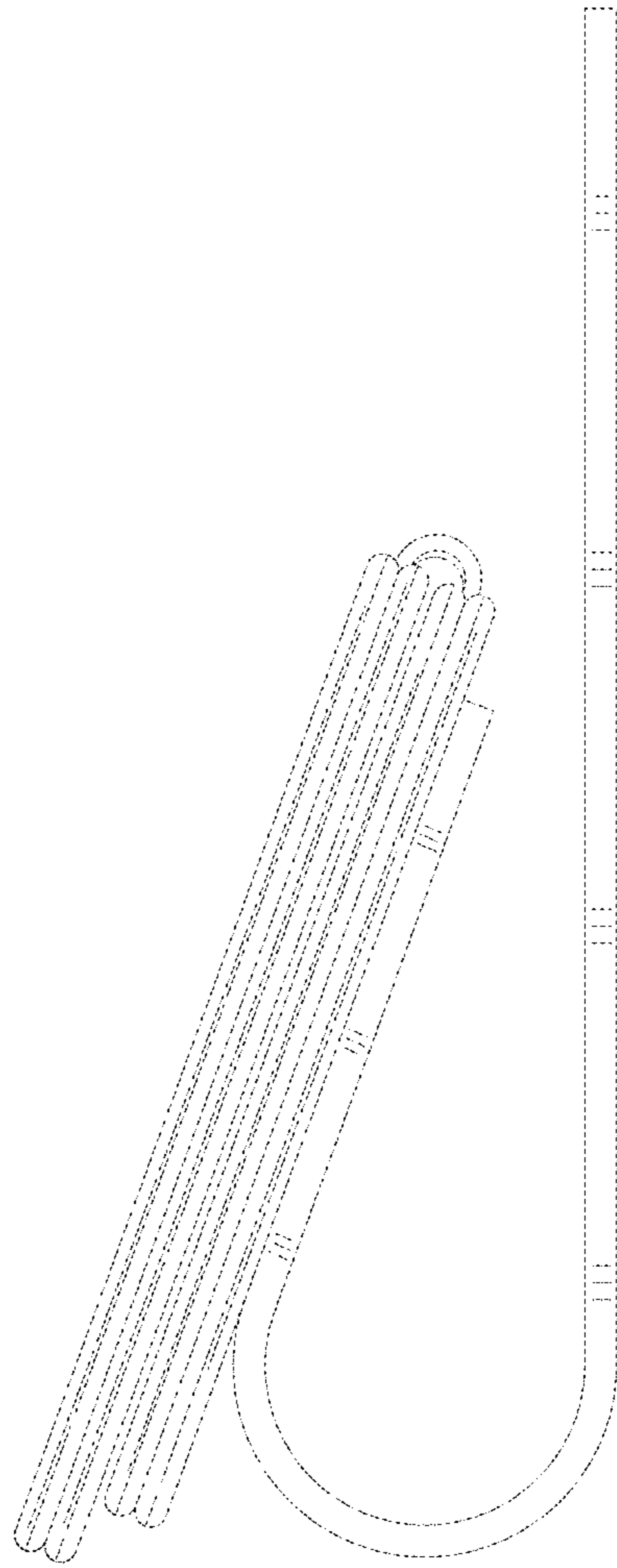
***FIG. 1***



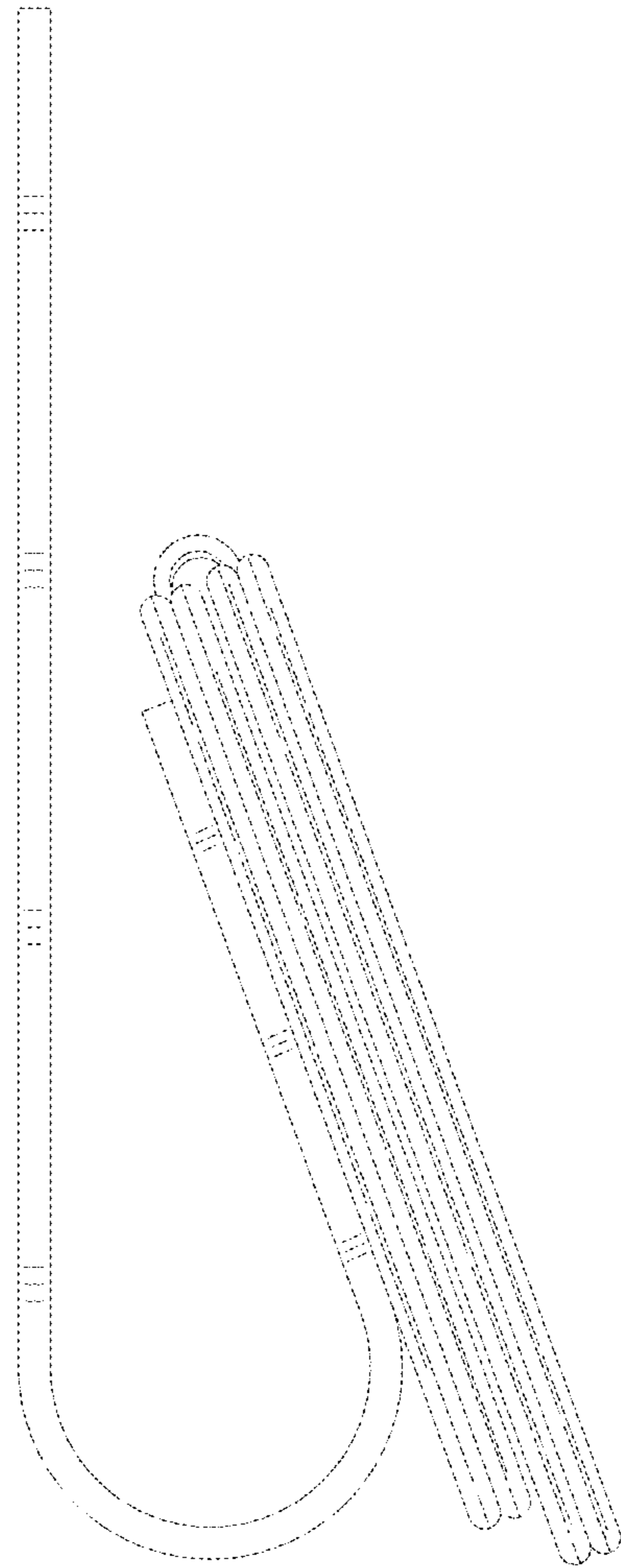
**FIG. 2**



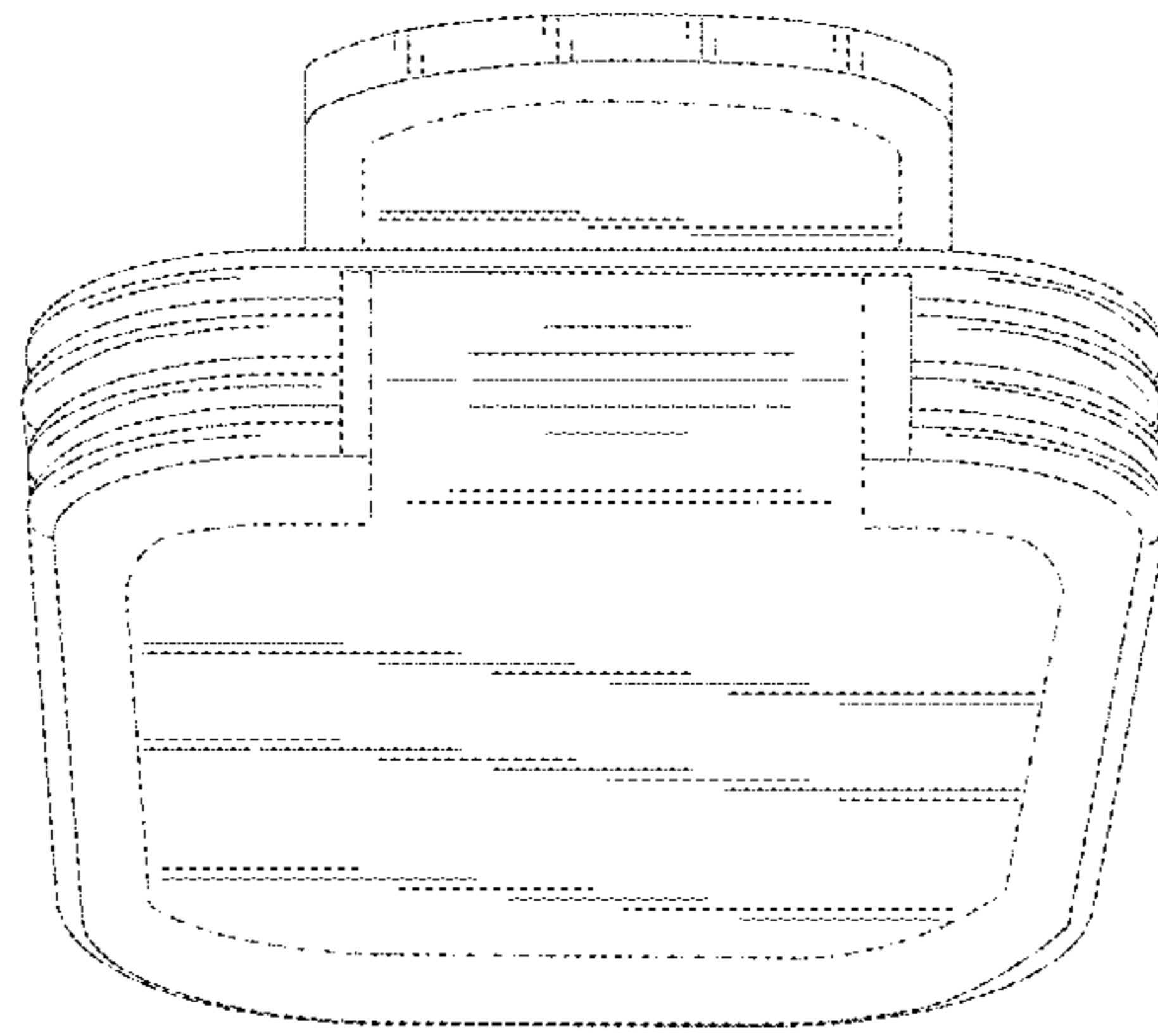
***FIG. 3***



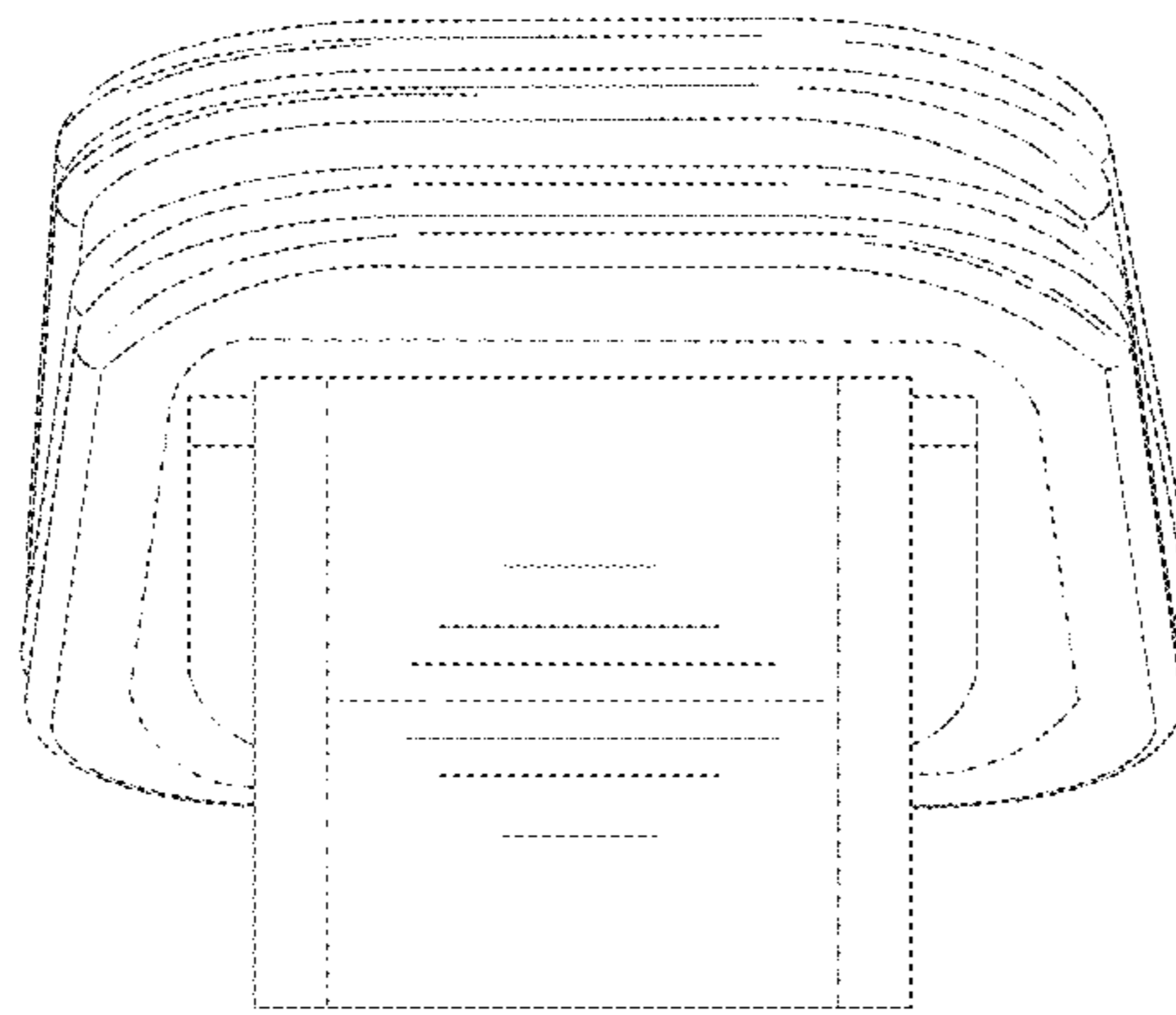
**FIG. 4**



**FIG. 5**

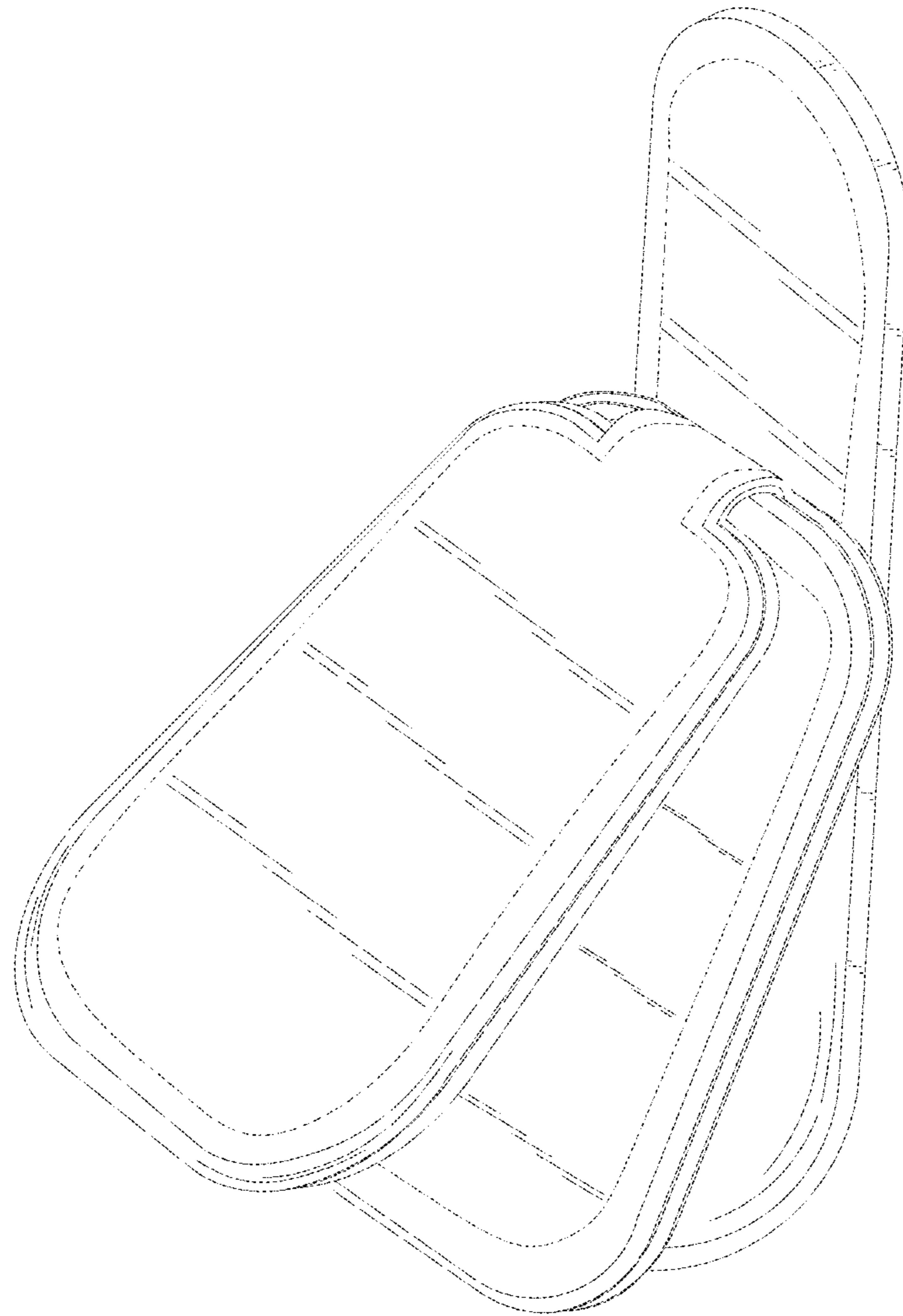


**FIG. 6**



*FIG. 7*





**FIG. 8**



US00D965505C1

(12) **EX PARTE REEXAMINATION CERTIFICATE** (12405th)  
**United States Patent**  
**Wu**

(10) **Number:** **US D965,505 C1**  
(45) **Certificate Issued:** **Sep. 14, 2023**

(54) **SUNGLASSES HOLDER FOR CAR**

(71) Applicant: **Wangfan Wu**, Anqing (CN)

(72) Inventor: **Wangfan Wu**, Anqing (CN)

**Reexamination Request:**

No. 90/019,152, Jan. 30, 2023

**Reexamination Certificate for:**

Patent No.: **Des. 965,505**

Issued: **Oct. 4, 2022**

Appl. No.: **29/836,293**

Filed: **Apr. 26, 2022**

(51) **LOC (14) Cl.** ..... **12-16**

(52) **U.S. Cl.**

USPC ..... **D12/417**

(58) **Field of Classification Search**

USPC ..... D12/417, 415; D3/266

CPC ..... B60R 7/05

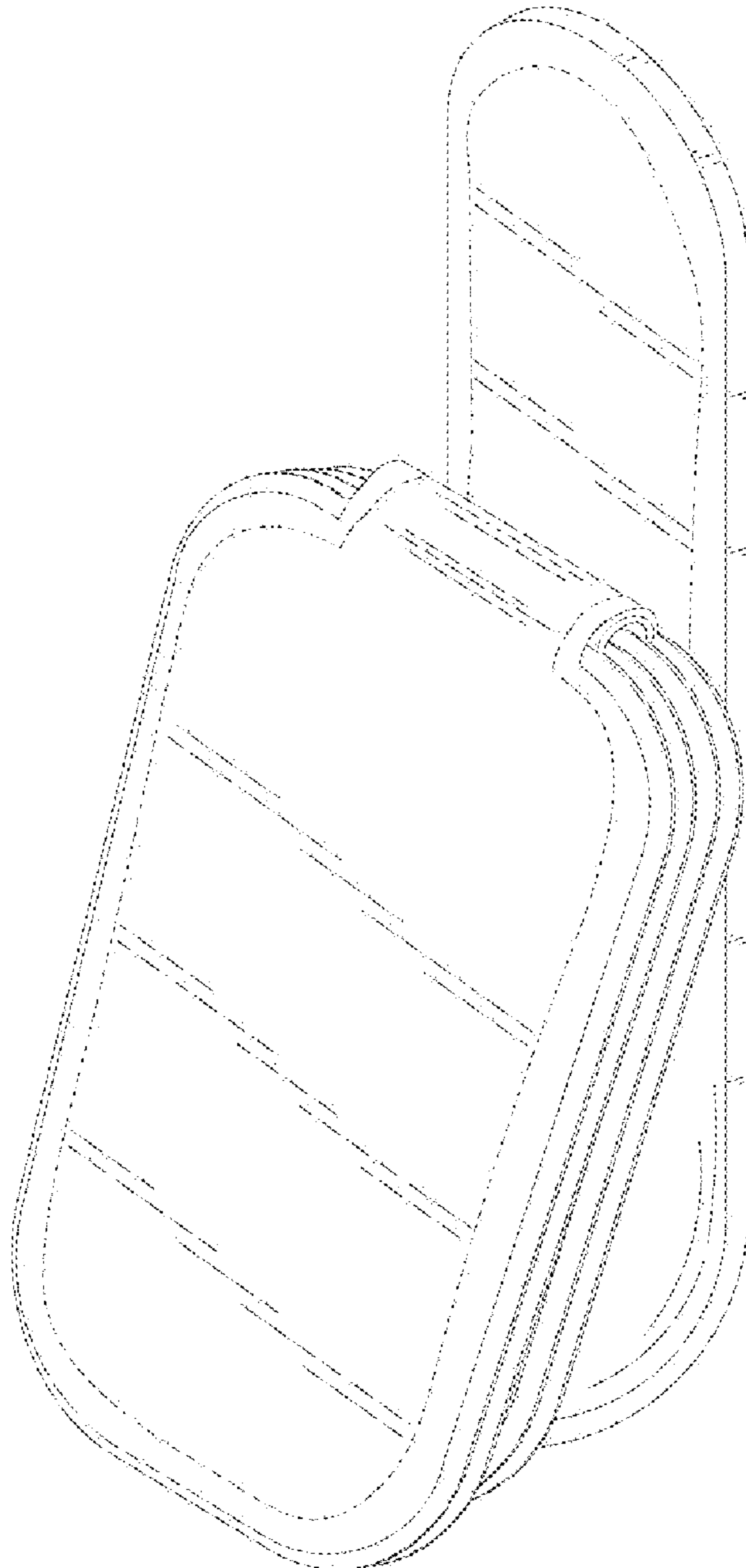
See application file for complete search history.

(56)

**References Cited**

To view the complete listing of prior art documents cited during the proceeding for Reexamination Control Number 90/019,152, please refer to the USPTO's Patent Electronic System.

*Primary Examiner* — Kevin K Rudzinski



**1**  
**EX PARTE**  
**REEXAMINATION CERTIFICATE**

THE PATENT IS HEREBY AMENDED AS  
INDICATED BELOW.

5

AS A RESULT OF REEXAMINATION, IT HAS BEEN  
DETERMINED THAT:

The claim 1 is cancelled.

10

\* \* \* \* \*