



US00D965502S

(12) **United States Design Patent**  
**Zhang**

(10) **Patent No.:** **US D965,502 S**

(45) **Date of Patent:** **\*\* Oct. 4, 2022**

(54) **CAR HOOK**

(71) Applicant: **Wei Zhang**, Hefei (CN)

(72) Inventor: **Wei Zhang**, Hefei (CN)

(\*\*) Term: **15 Years**

(21) Appl. No.: **29/811,006**

(22) Filed: **Oct. 11, 2021**

(51) **LOC (13) Cl.** ..... **12-16**

(52) **U.S. Cl.**  
USPC ..... **D12/415**

(58) **Field of Classification Search**  
USPC ..... D12/415-420, 40, 191, 106, 195, 192,  
D12/345, 96, 99  
CPC ..... B60R 7/04; B60R 7/08  
See application file for complete search history.

(56) **References Cited**

**U.S. PATENT DOCUMENTS**

D885,873 S	6/2020	Deng	
D899,234 S	10/2020	Chen	
D913,778 S	3/2021	Huang	
D920,322 S *	5/2021	Stefanelli	D12/415
D920,888 S *	6/2021	Miao	D12/415
D922,861 S	6/2021	Lin	
D925,435 S *	7/2021	Tung	D12/415
D934,232 S *	10/2021	Francis	D12/415
D936,048 S *	11/2021	Wang	D12/415
D937,820 S *	12/2021	Li	D12/415
D939,494 S *	12/2021	Leeds-Frank	D12/415

D943,569 S *	2/2022	Zhang	D12/415
D944,185 S *	2/2022	Hodge	D12/415
D944,239 S *	2/2022	Li	D12/415
D950,543 S *	5/2022	Zhang	D12/415
D955,319 S *	6/2022	Ackeret	D12/415

\* cited by examiner

*Primary Examiner* — Katrina A Betton

(74) *Attorney, Agent, or Firm* — Xuan Zhang

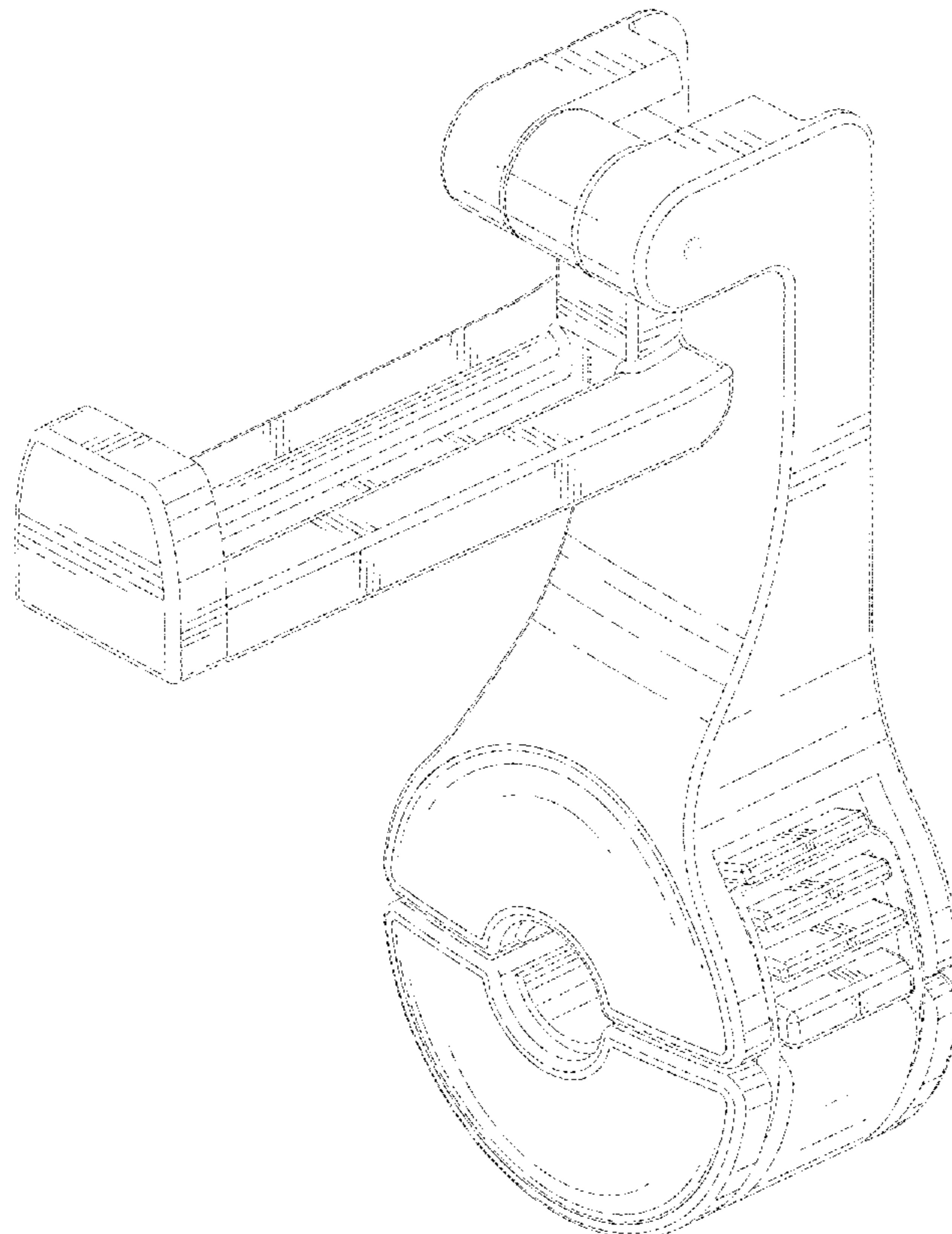
(57) **CLAIM**

The ornamental design for a car hook, as shown and described.

**DESCRIPTION**

FIG. 1 is a front perspective view of a car hook showing my new design, illustrating the car hook at an unfolded position; FIG. 2 is a rear perspective view thereof; FIG. 3 is another rear perspective view thereof; FIG. 4 is another front perspective view thereof; FIG. 5 is a front perspective view thereof, illustrating the car hook at a folded position; FIG. 6 is a front plan view thereof; FIG. 7 is a rear plan view thereof; FIG. 8 is a left plan view thereof; FIG. 9 is a right plan view thereof; FIG. 10 is a top plan view thereof; and, FIG. 11 is a bottom plan view thereof.

**1 Claim, 11 Drawing Sheets**



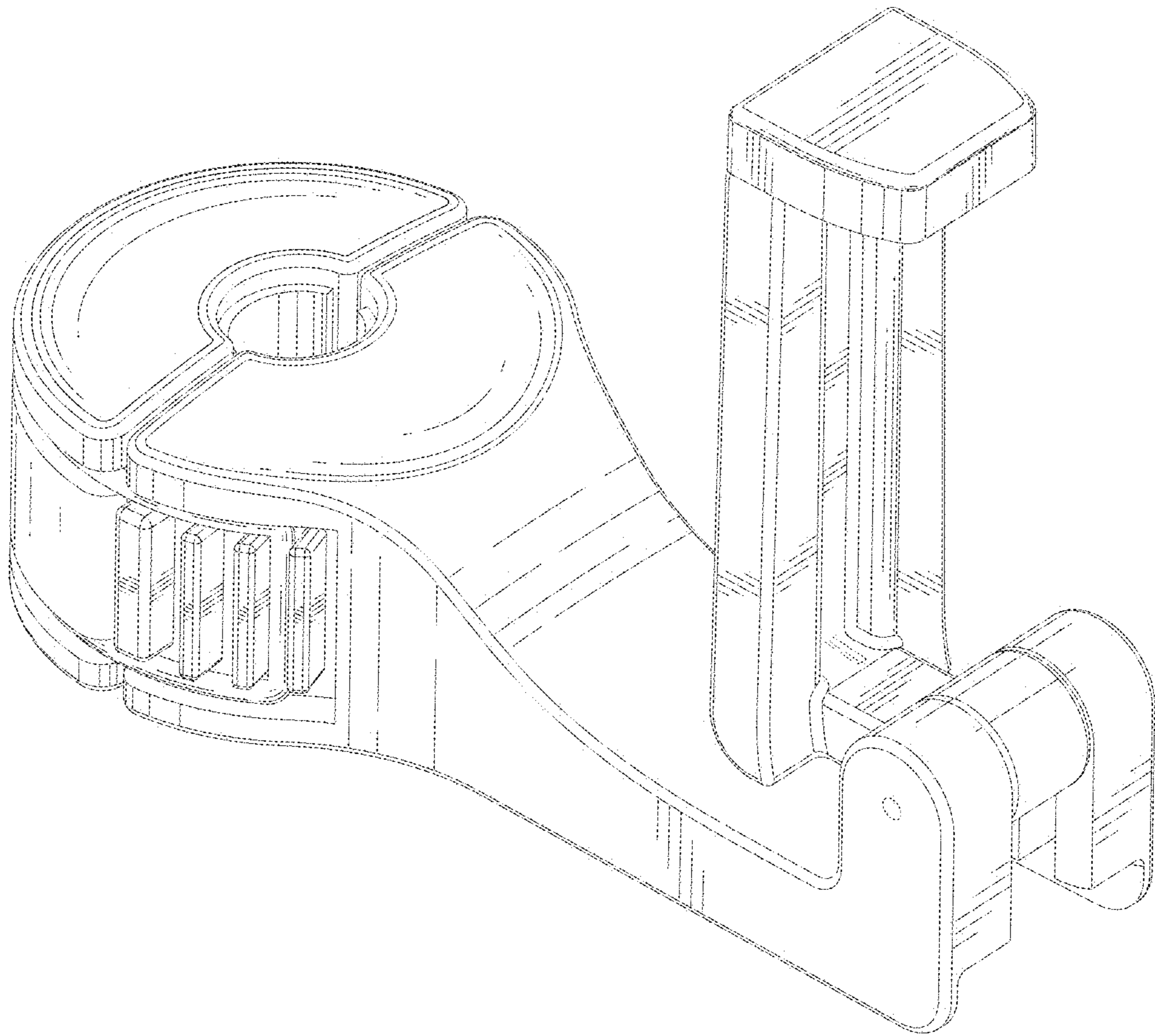


FIG. 1

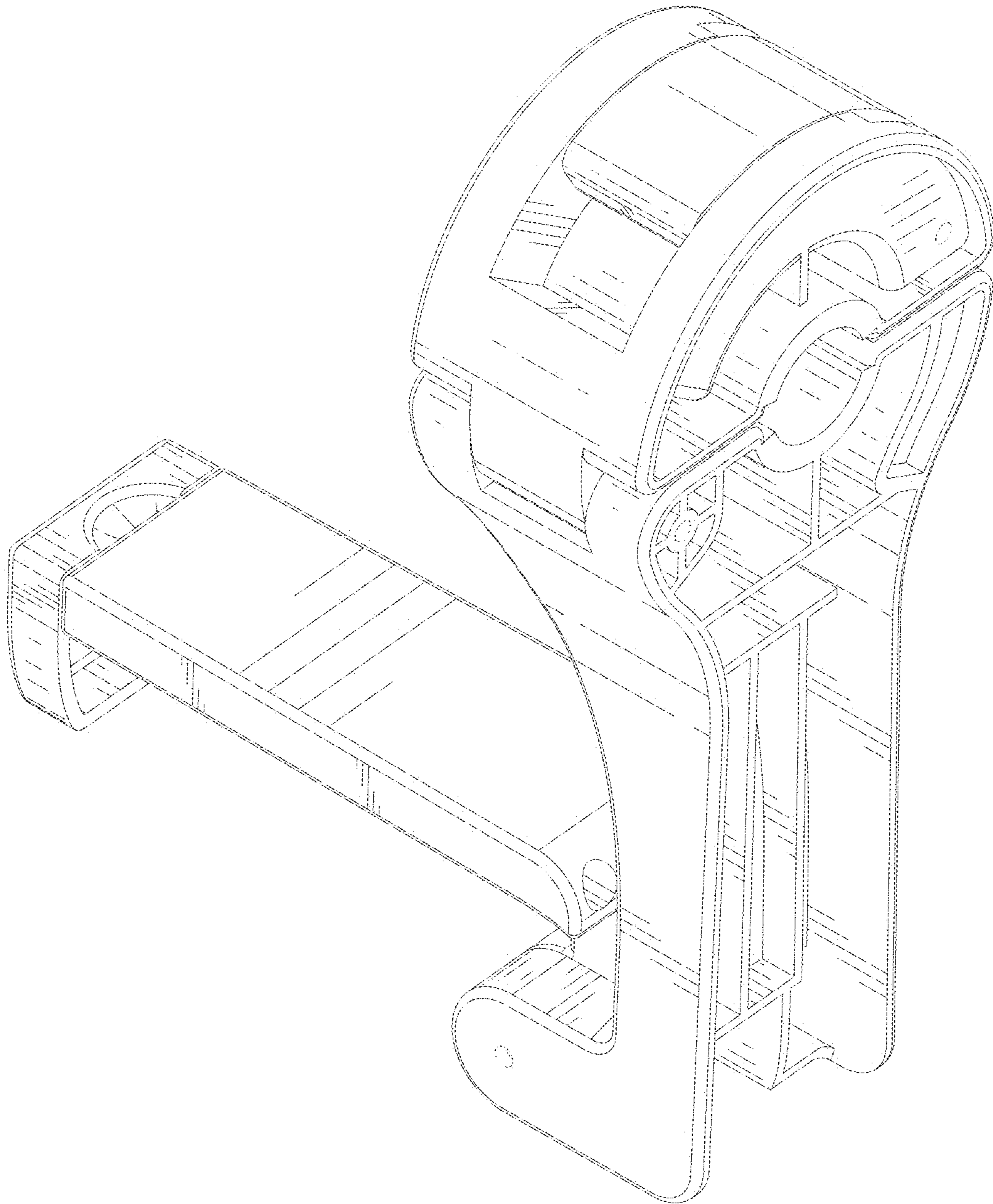


FIG. 2



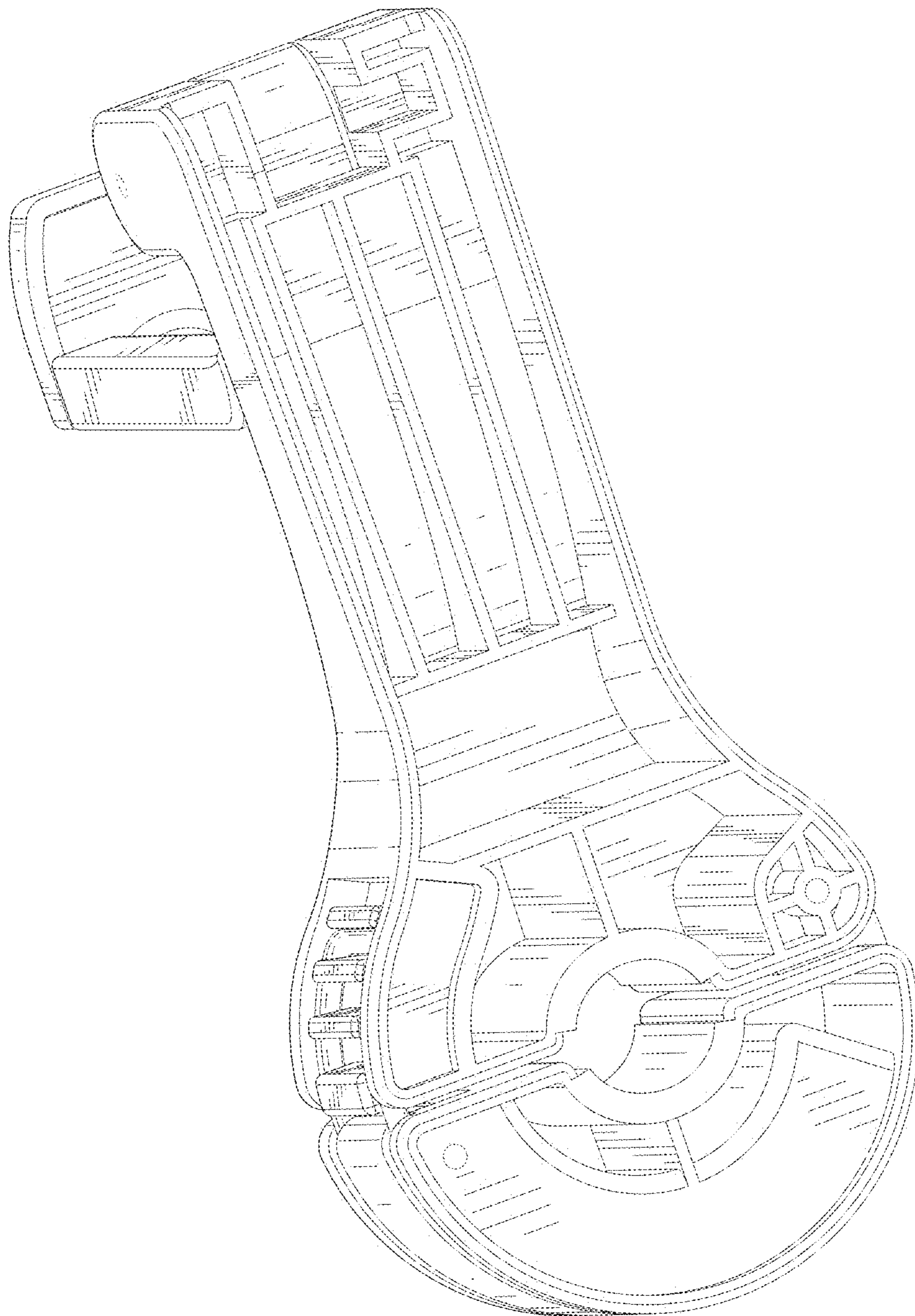


FIG. 3

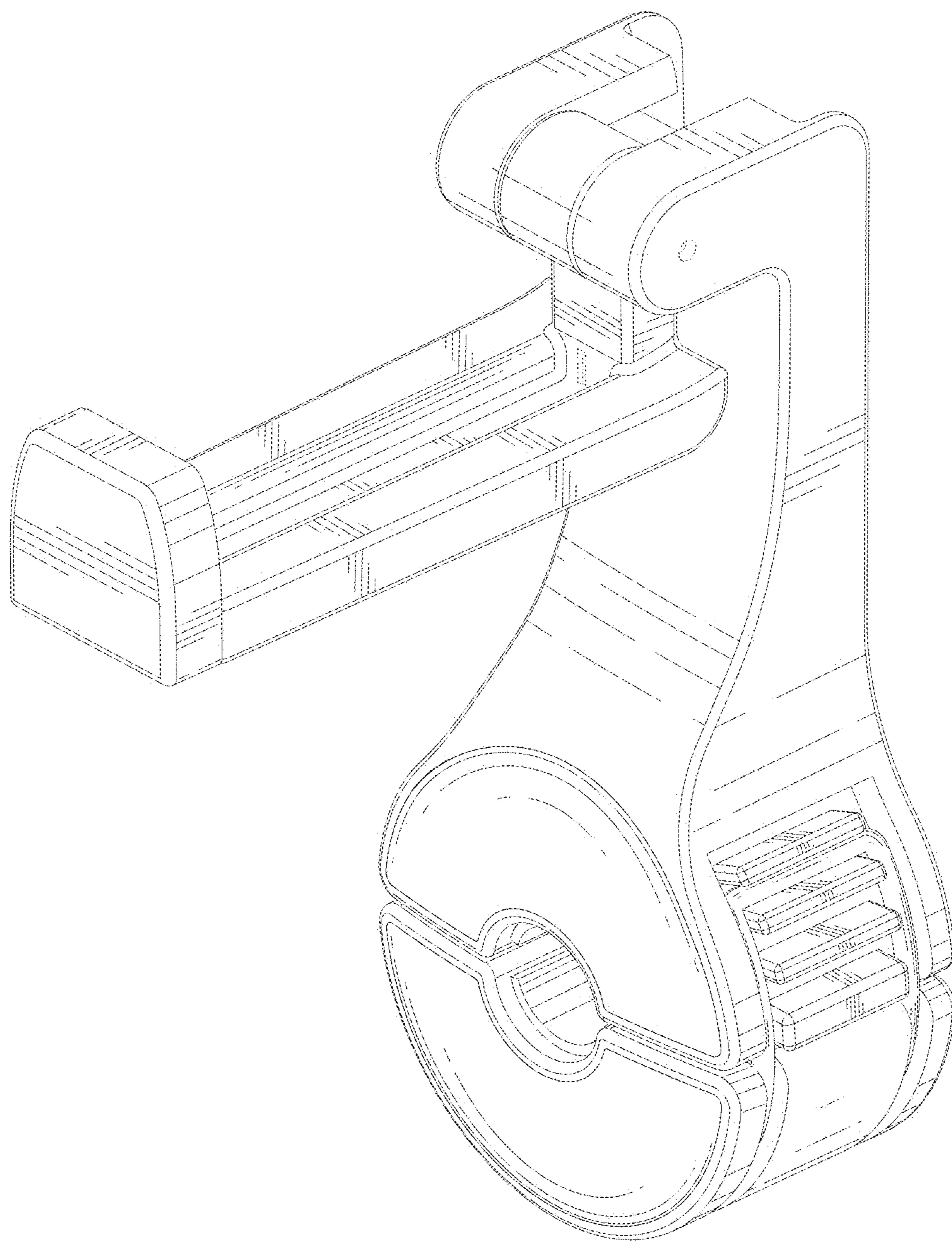


FIG.4

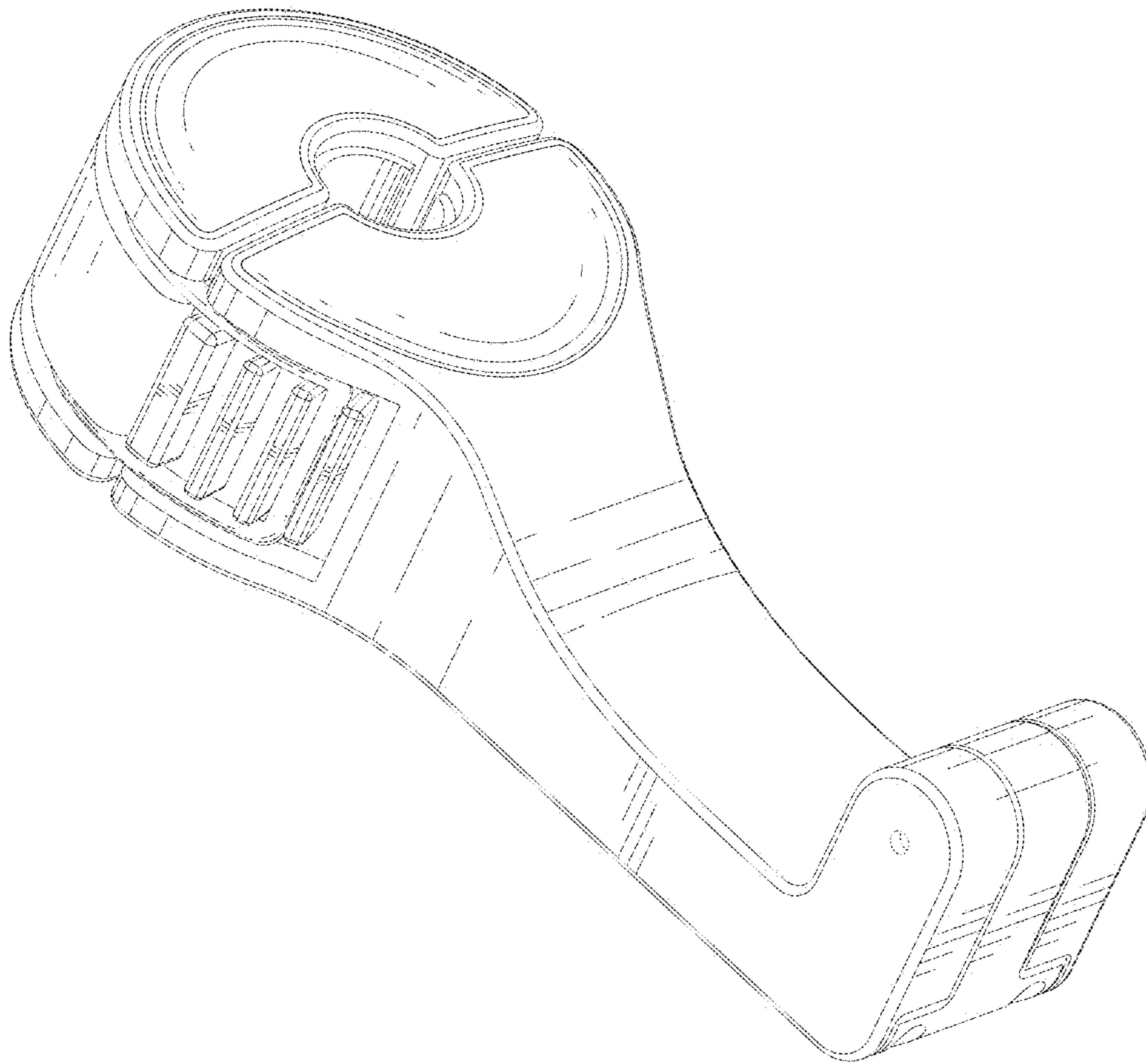


FIG.5



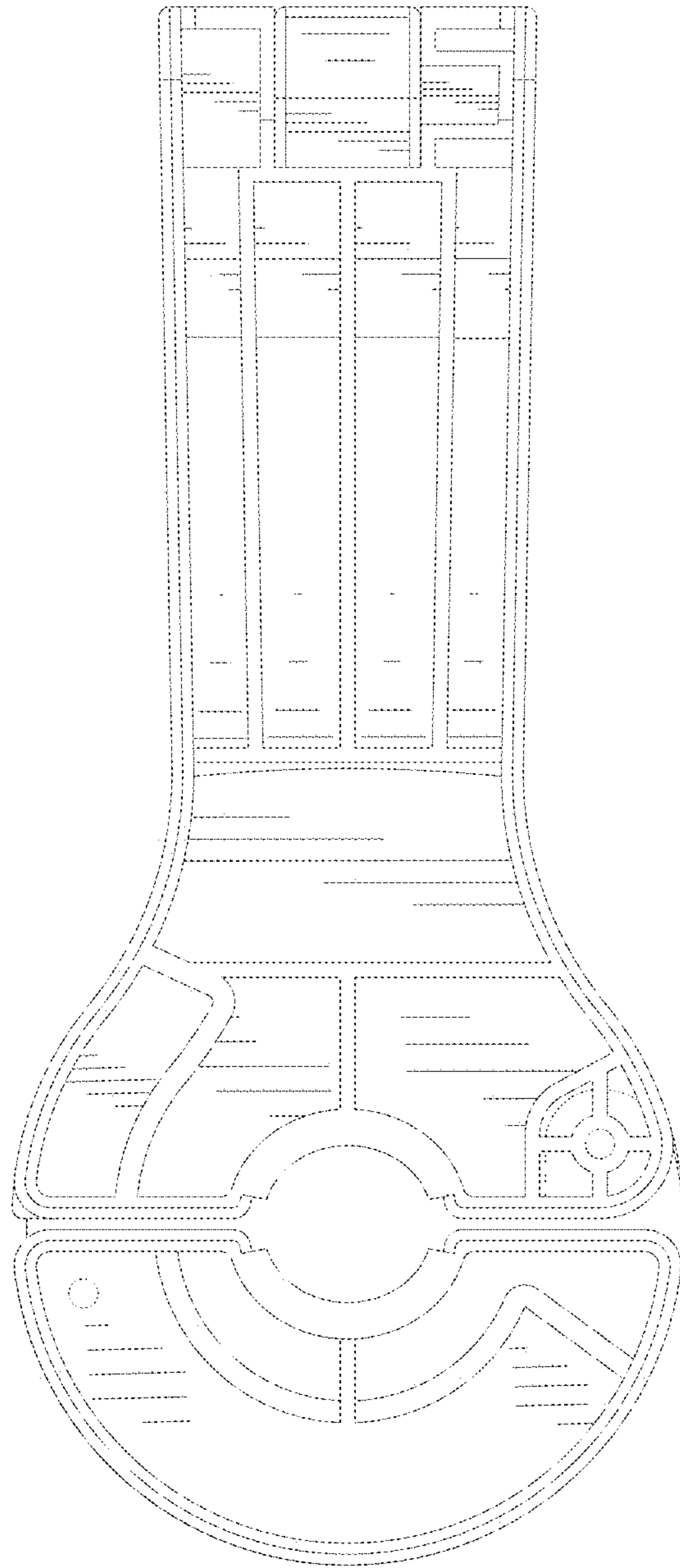


FIG. 7



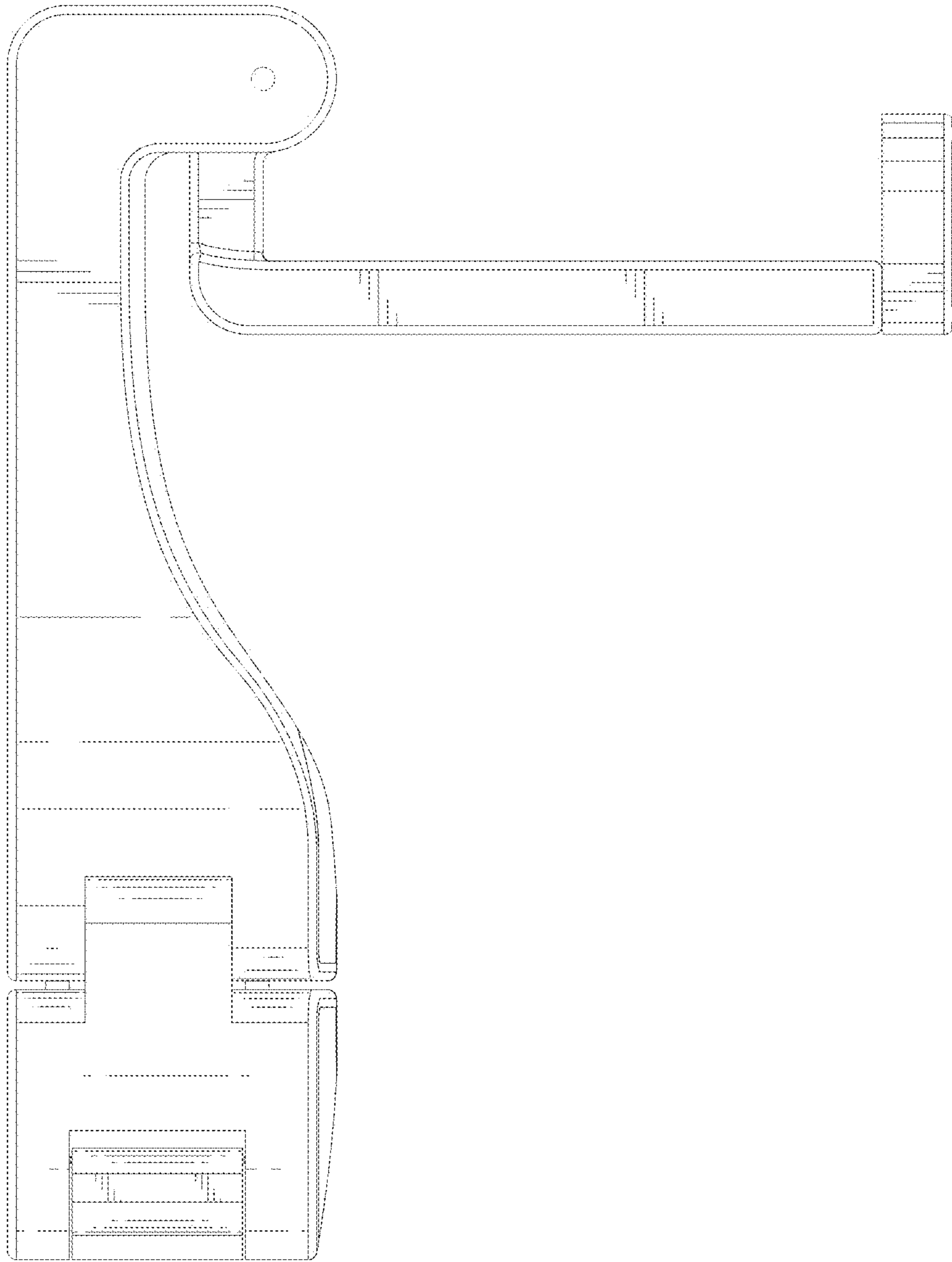


FIG. 8

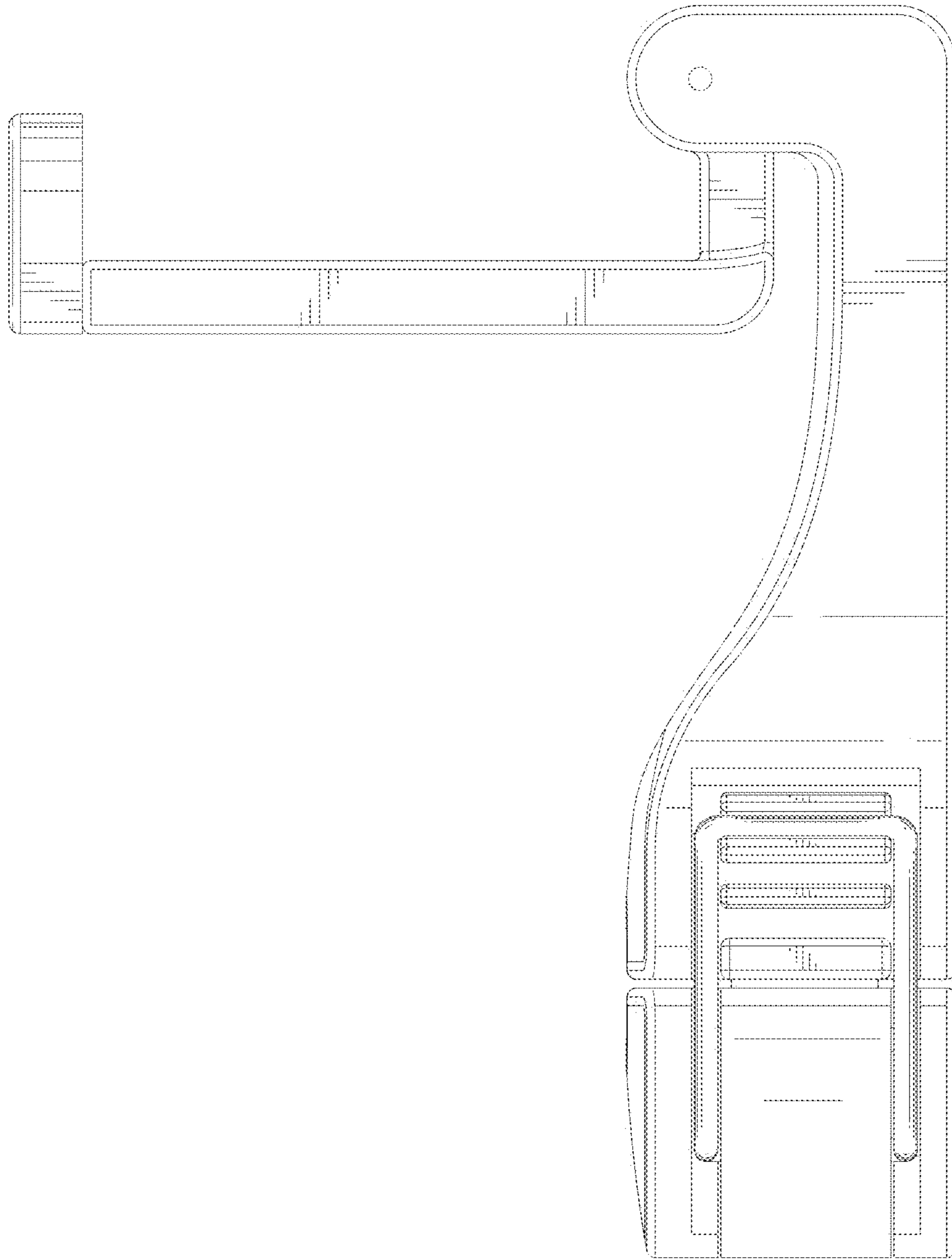


FIG. 9

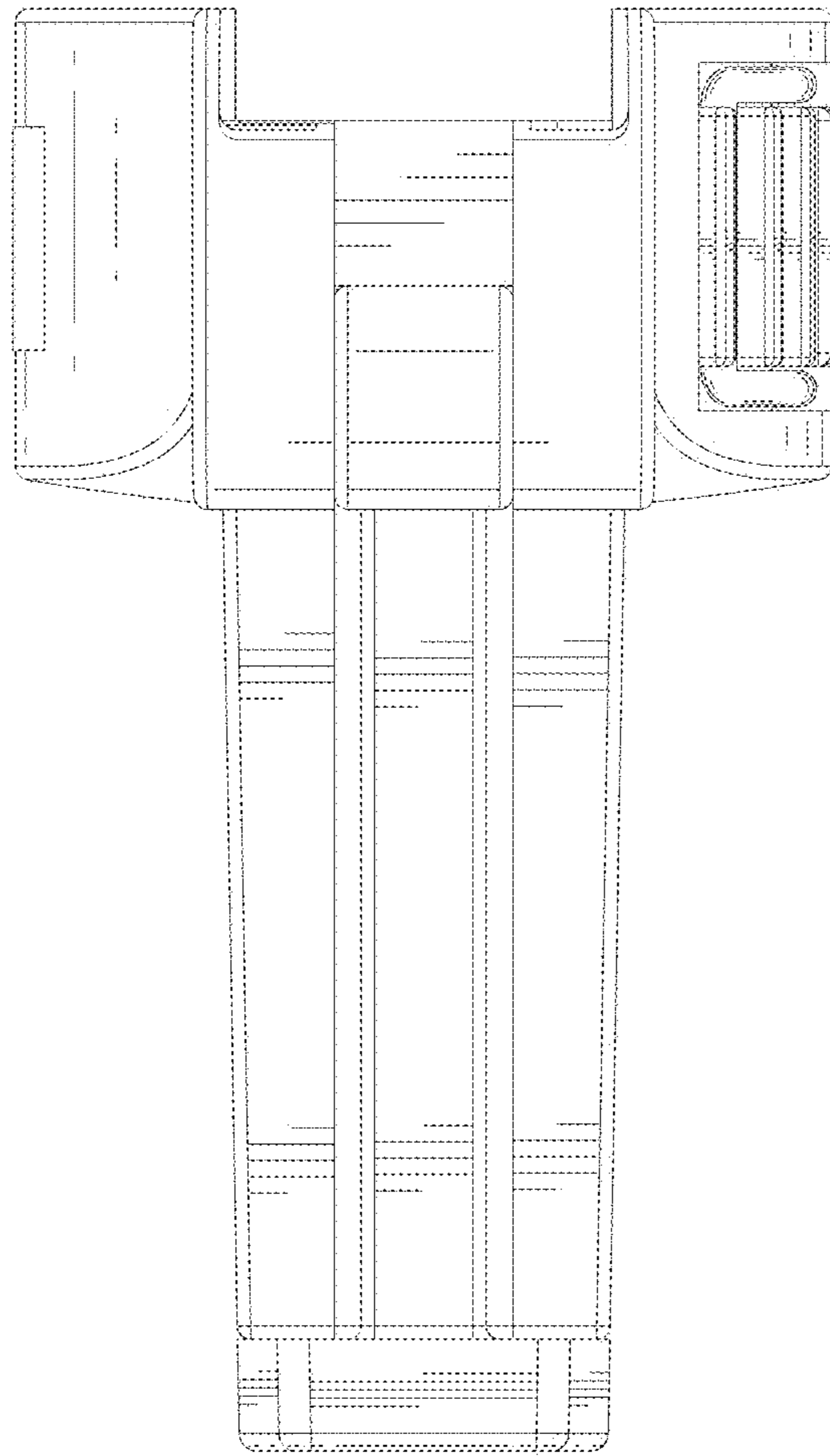


FIG. 10

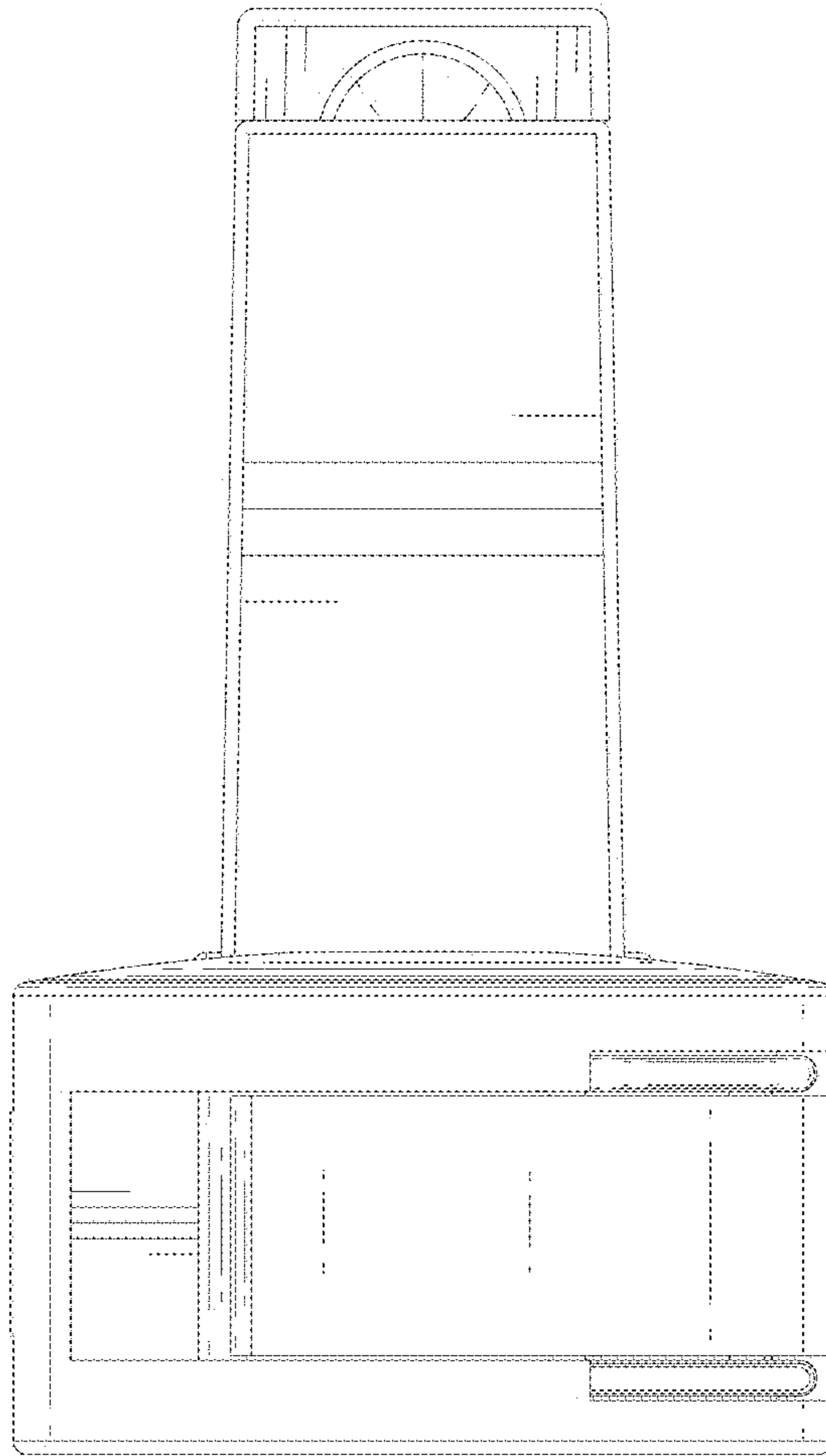


FIG. 11