



US00D965501S

(12) **United States Design Patent**  
**Tang**

(10) **Patent No.:** **US D965,501 S**

(45) **Date of Patent:** **\*\* Oct. 4, 2022**

(54) **EXPANDABLE UNIVERSAL CHASE RACK FOR VEHICLES**

(71) Applicant: **Wai Kin Tang**, City of Industry, CA (US)

(72) Inventor: **Wai Kin Tang**, City of Industry, CA (US)

(\*\*) Term: **15 Years**

(21) Appl. No.: **29/754,047**

(22) Filed: **Oct. 6, 2020**

(51) **LOC (13) Cl.** ..... **12-16**

(52) **U.S. Cl.**  
USPC ..... **D12/412**

(58) **Field of Classification Search**  
USPC ..... D12/412, 406, 413, 414, 414.1; D6/552; D3/304-306  
CPC ..... B60R 9/04; B60R 9/048; B60R 9/045  
See application file for complete search history.

(56) **References Cited**

**U.S. PATENT DOCUMENTS**

D495,654 S	9/2004	Elwell et al.	
D499,372 S	12/2004	Andersson	
D528,968 S *	9/2006	Storer	D12/222
D553,553 S *	10/2007	Taylor	D12/414
D578,467 S	10/2008	Ohanyan	
D579,853 S	11/2008	Stark	
D669,017 S	10/2012	Robertson	
D709,818 S	7/2014	Zhang	
D717,230 S *	11/2014	Fichter	D12/414
D763,170 S *	8/2016	Marankie	D12/414

D810,654 S	2/2018	Dionisopoulos et al.	
D861,575 S	10/2019	Tang	
D866,447 S	11/2019	Ash	
D883,176 S *	5/2020	Ajam	D12/222
D892,024 S *	8/2020	Li	D12/222
D920,883 S *	6/2021	Yung	D12/222
D933,576 S *	10/2021	Ajam	D12/222
D947,747 S *	4/2022	Yung	D12/222

\* cited by examiner

*Primary Examiner* — Katrina A Betton  
(74) *Attorney, Agent, or Firm* — Kirk A. Buhler; Buhler & Associates Patenting

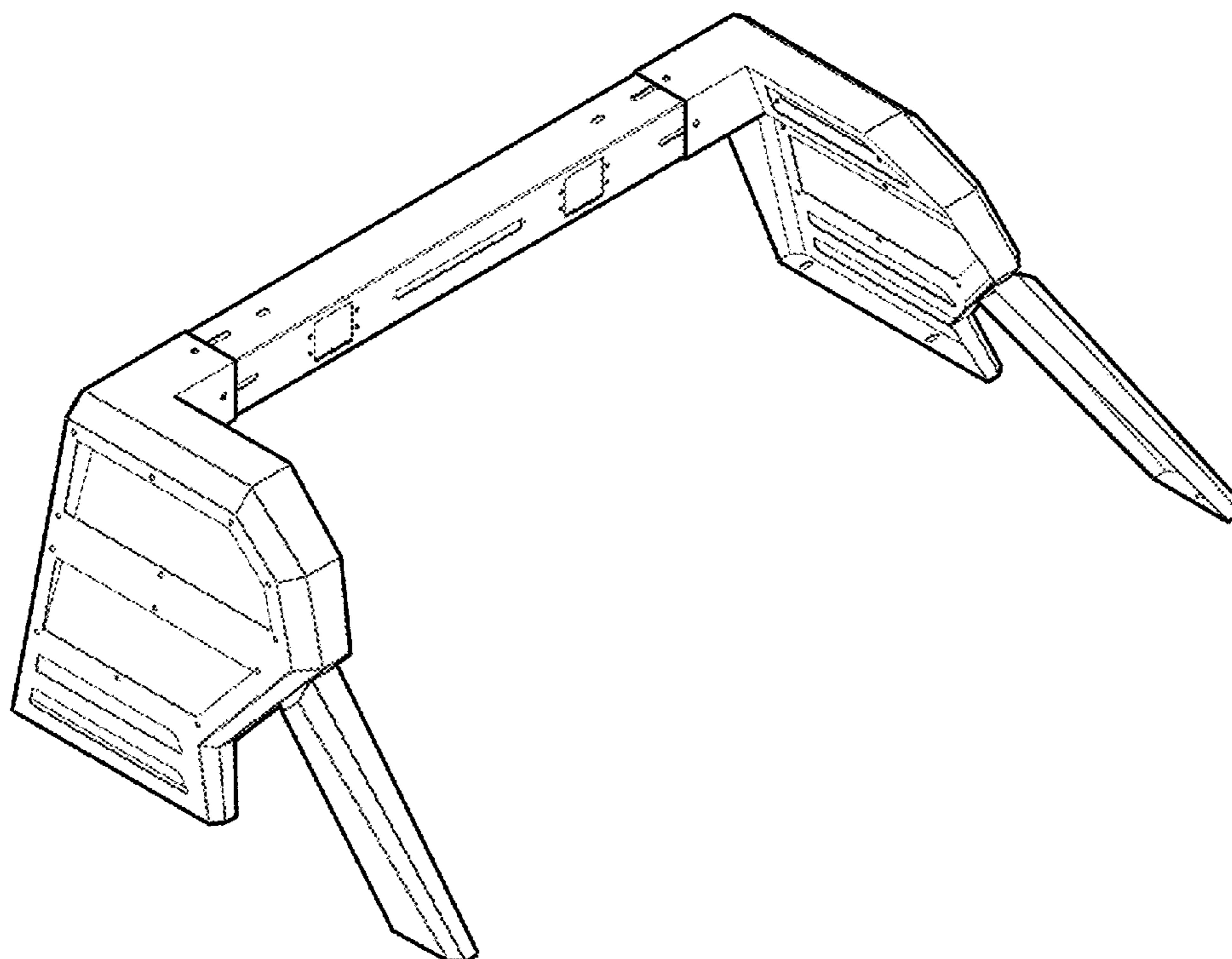
(57) **CLAIM**

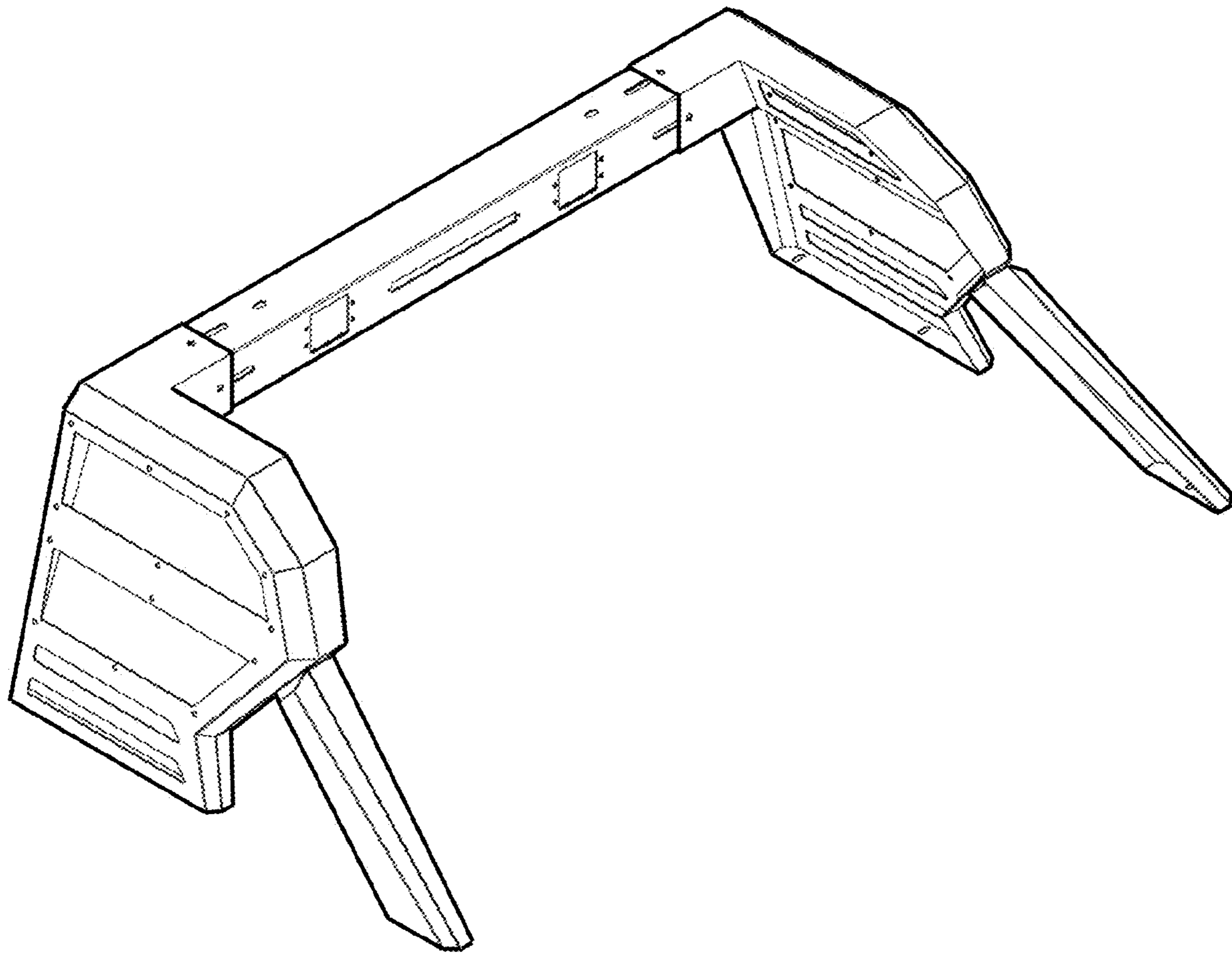
The ornamental design for an expandable universal chase rack for vehicles, as shown and described.

**DESCRIPTION**

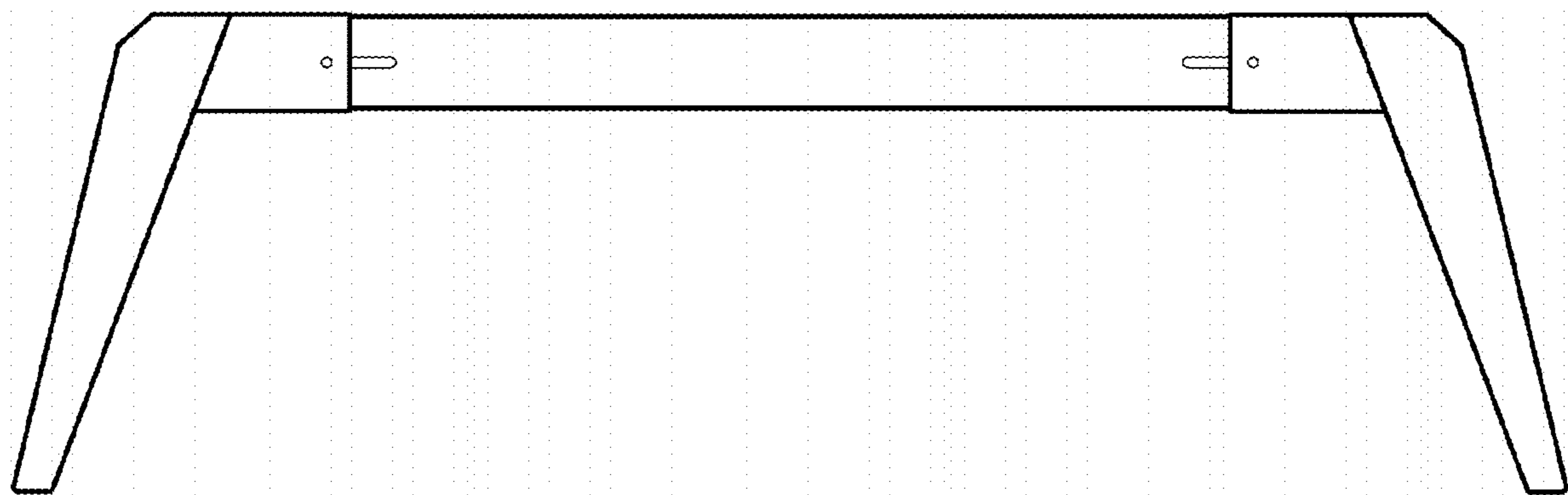
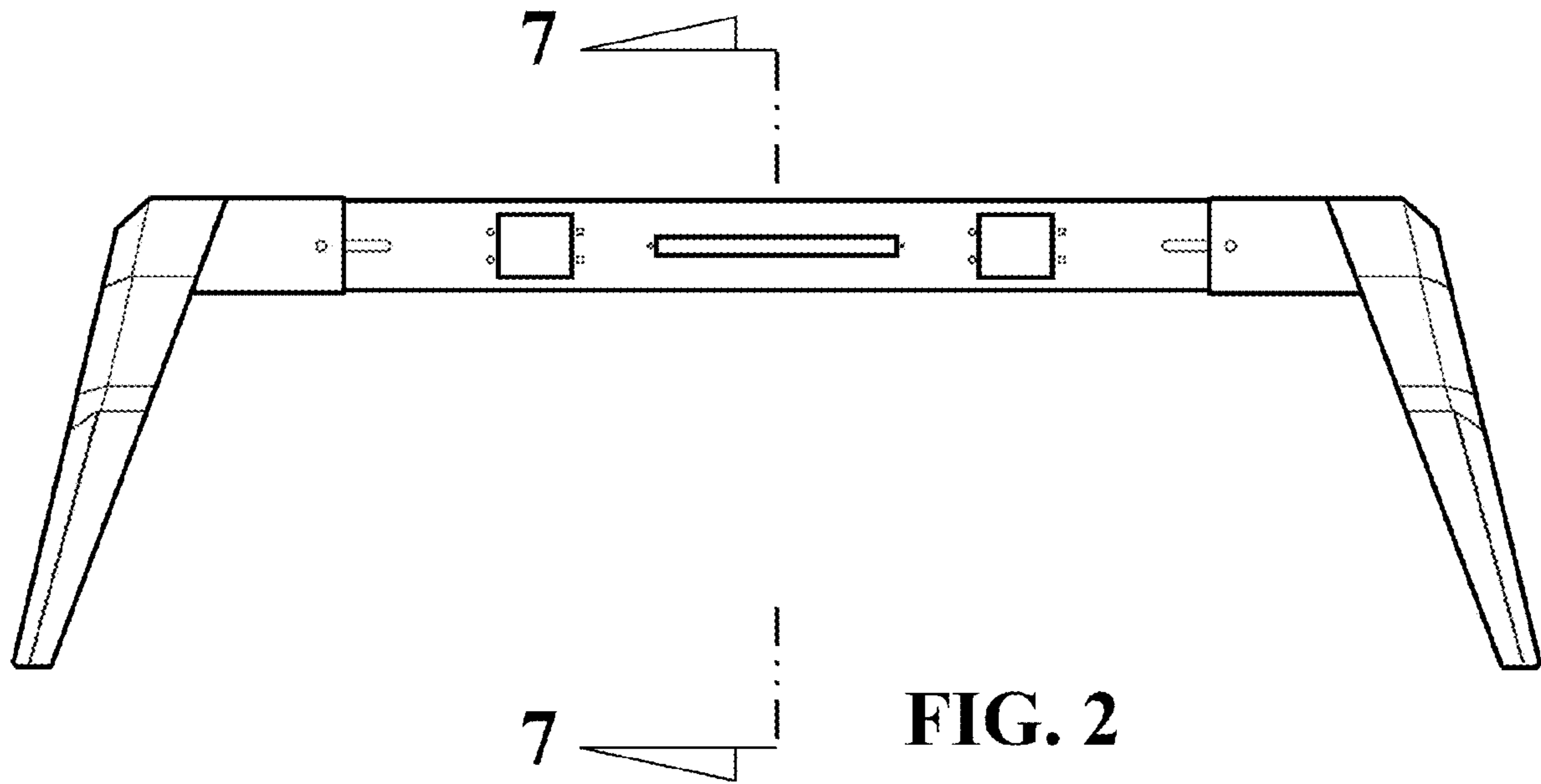
FIG. 1 is a top perspective view of an expandable universal chase rack for vehicles, showing my new design in its environment;  
FIG. 2 is a rear elevation view thereof;  
FIG. 3 is a front elevation view thereof;  
FIG. 4 is a bottom view thereof;  
FIG. 5 is a top plan view thereof;  
FIG. 6 is a right side elevation view, the left side elevation view being a mirror image thereof, and  
FIG. 7 is a left sectional view taken along lines 7-7 from FIG. 2 thereof;  
FIG. 8 is a bottom perspective view; and,  
FIG. 9 is a top perspective view in an environment of use. The broken lines in FIG. 9 depict environmental subject matter and form no part of the claimed design.

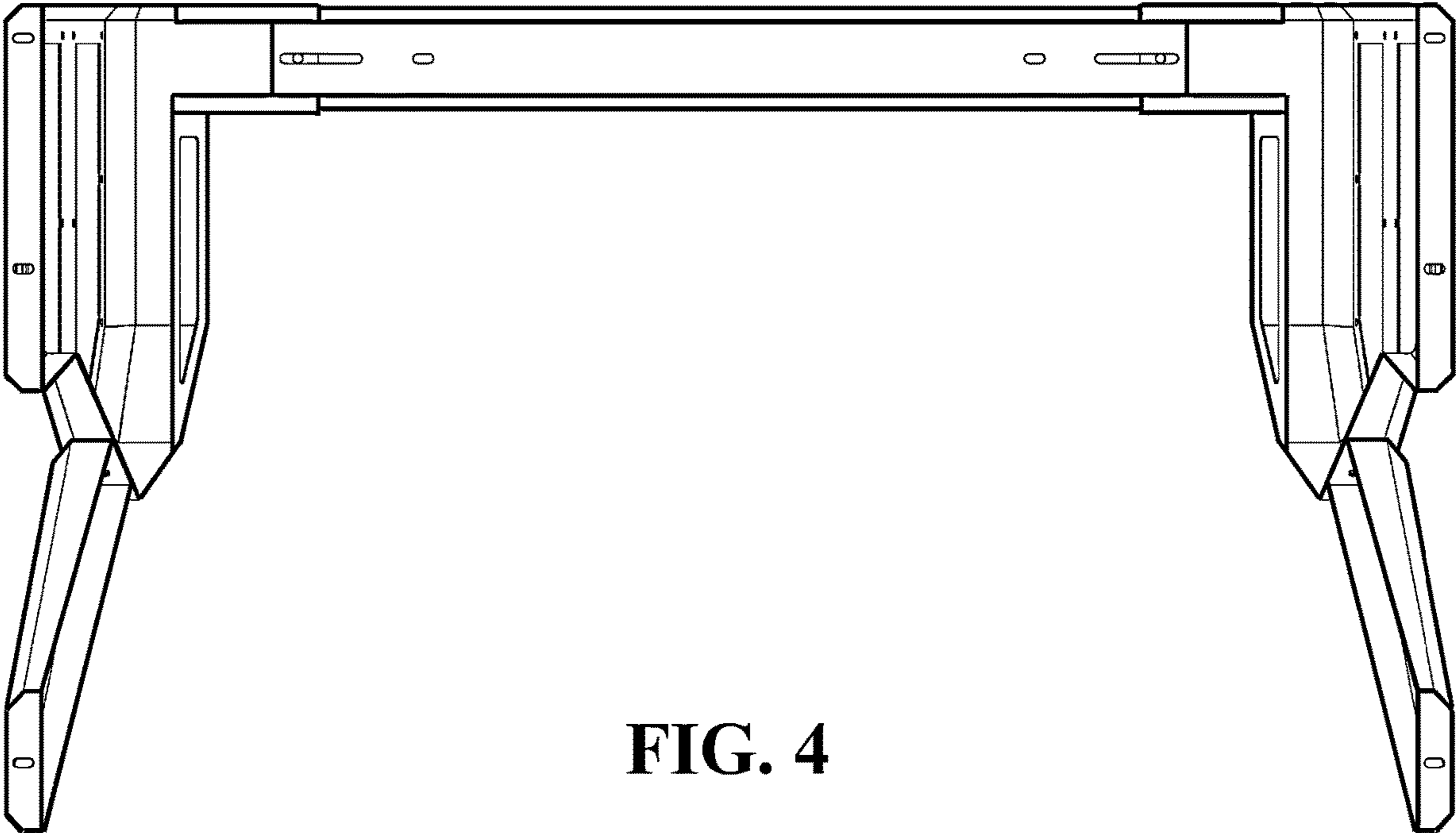
**1 Claim, 6 Drawing Sheets**



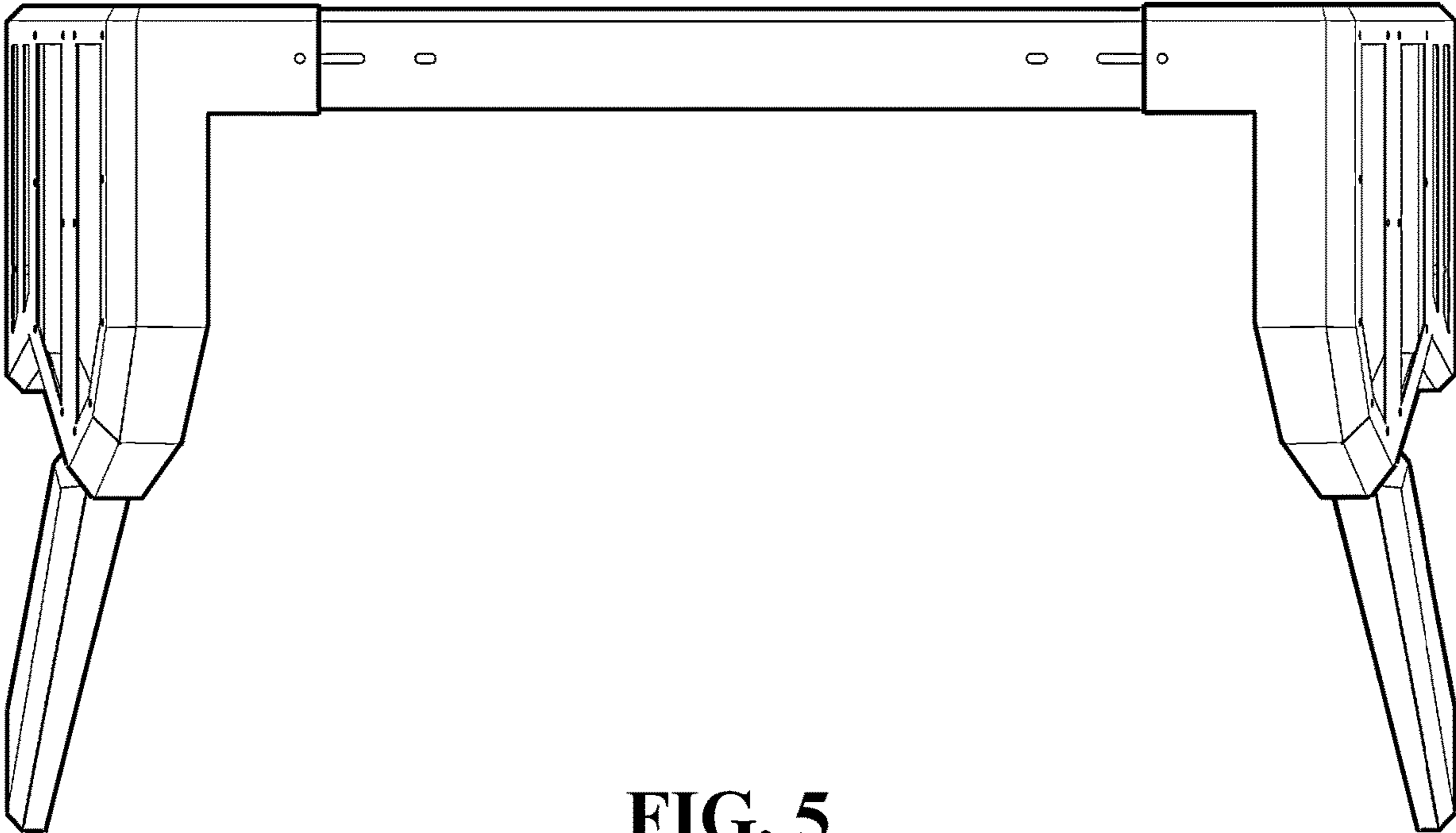


**FIG. 1**

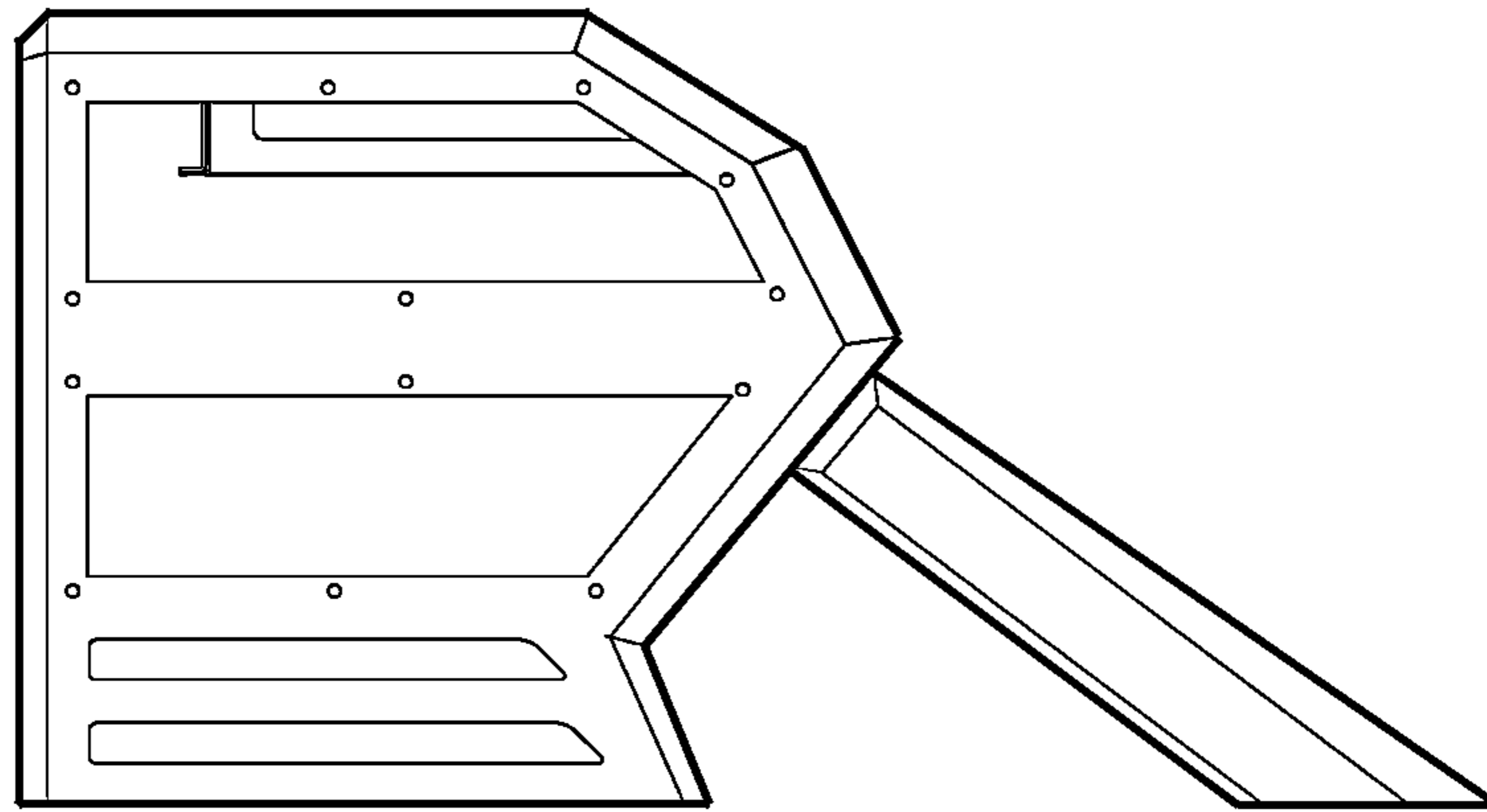




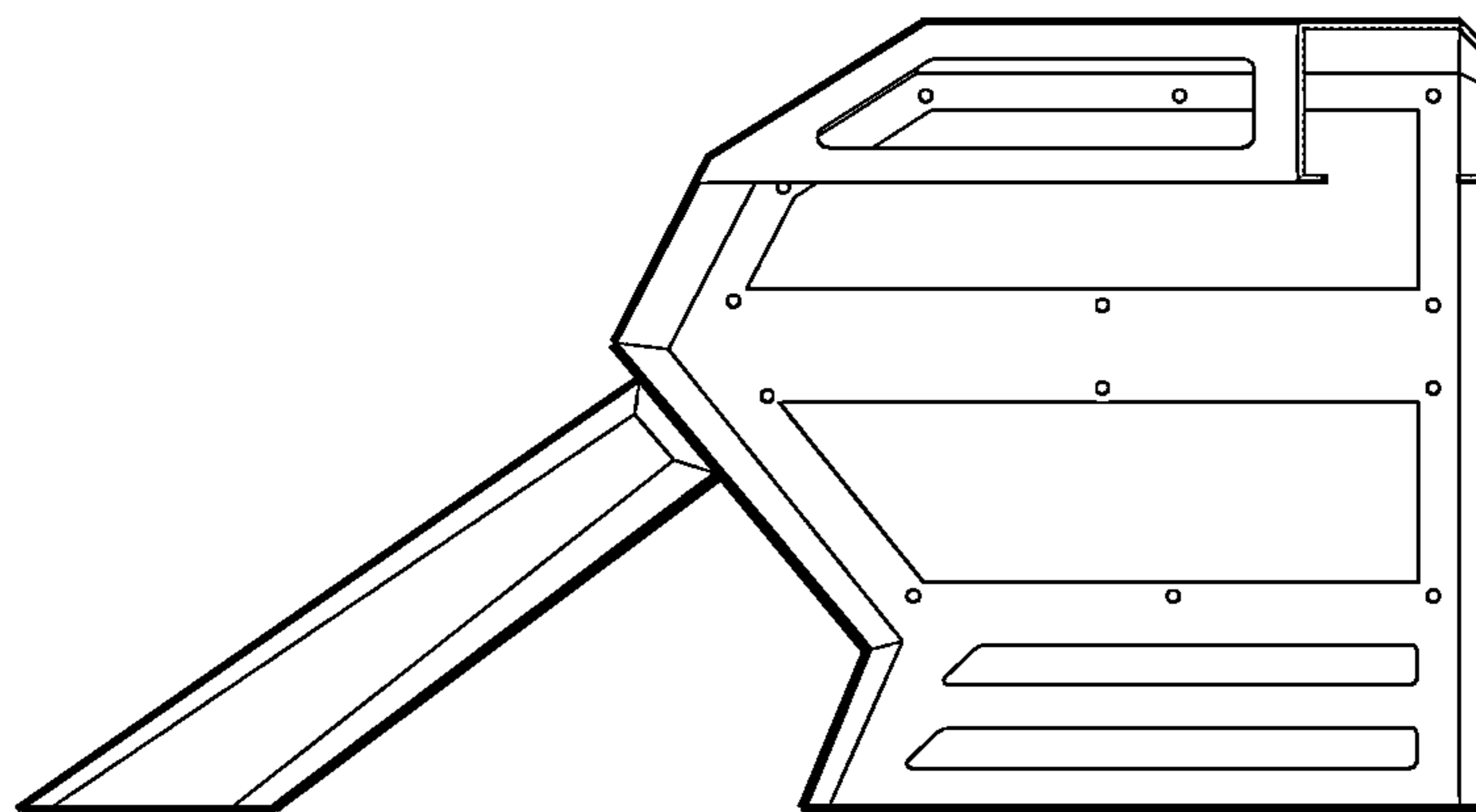
**FIG. 4**



**FIG. 5**



**FIG. 6**



**FIG. 7**

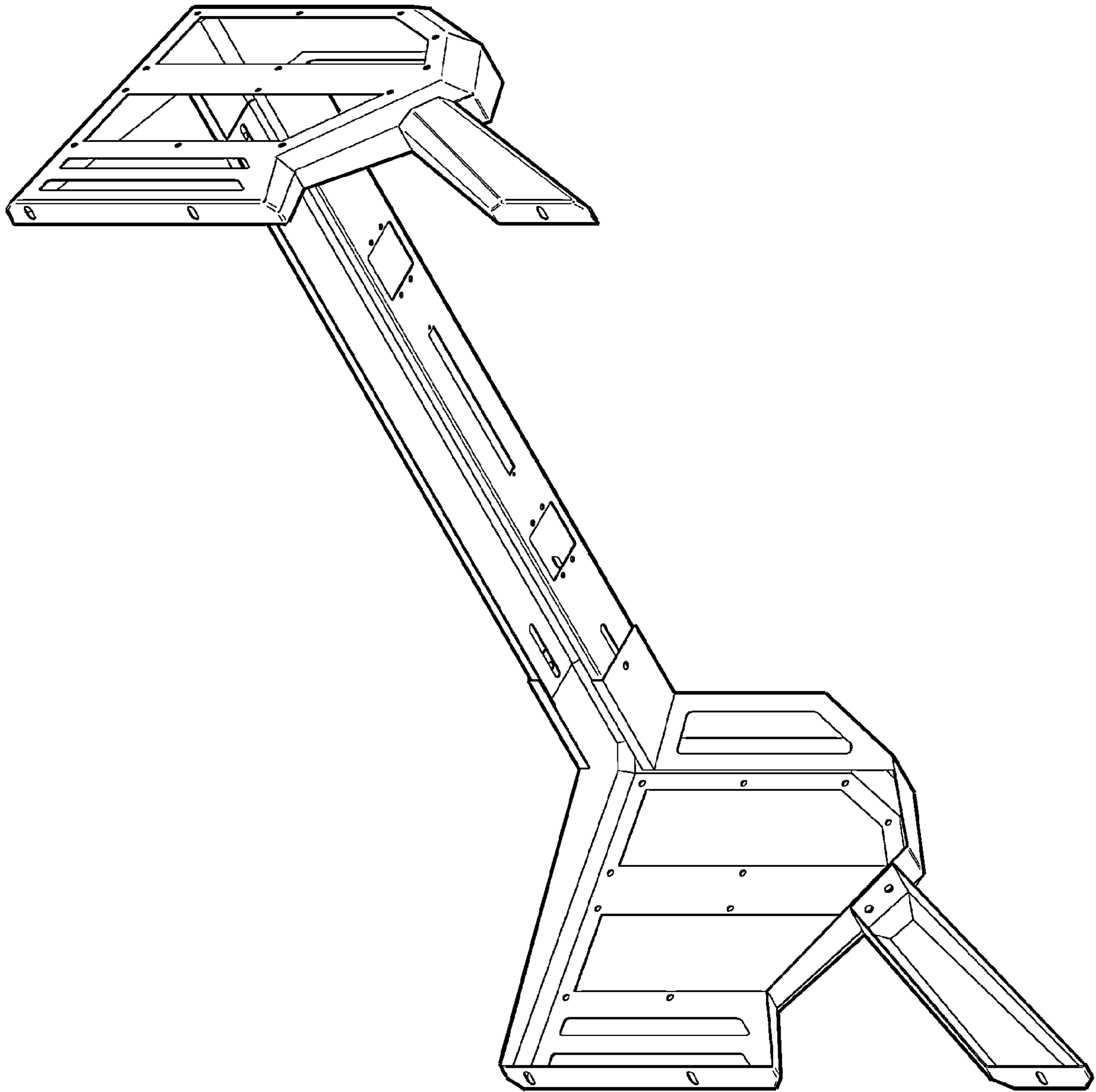
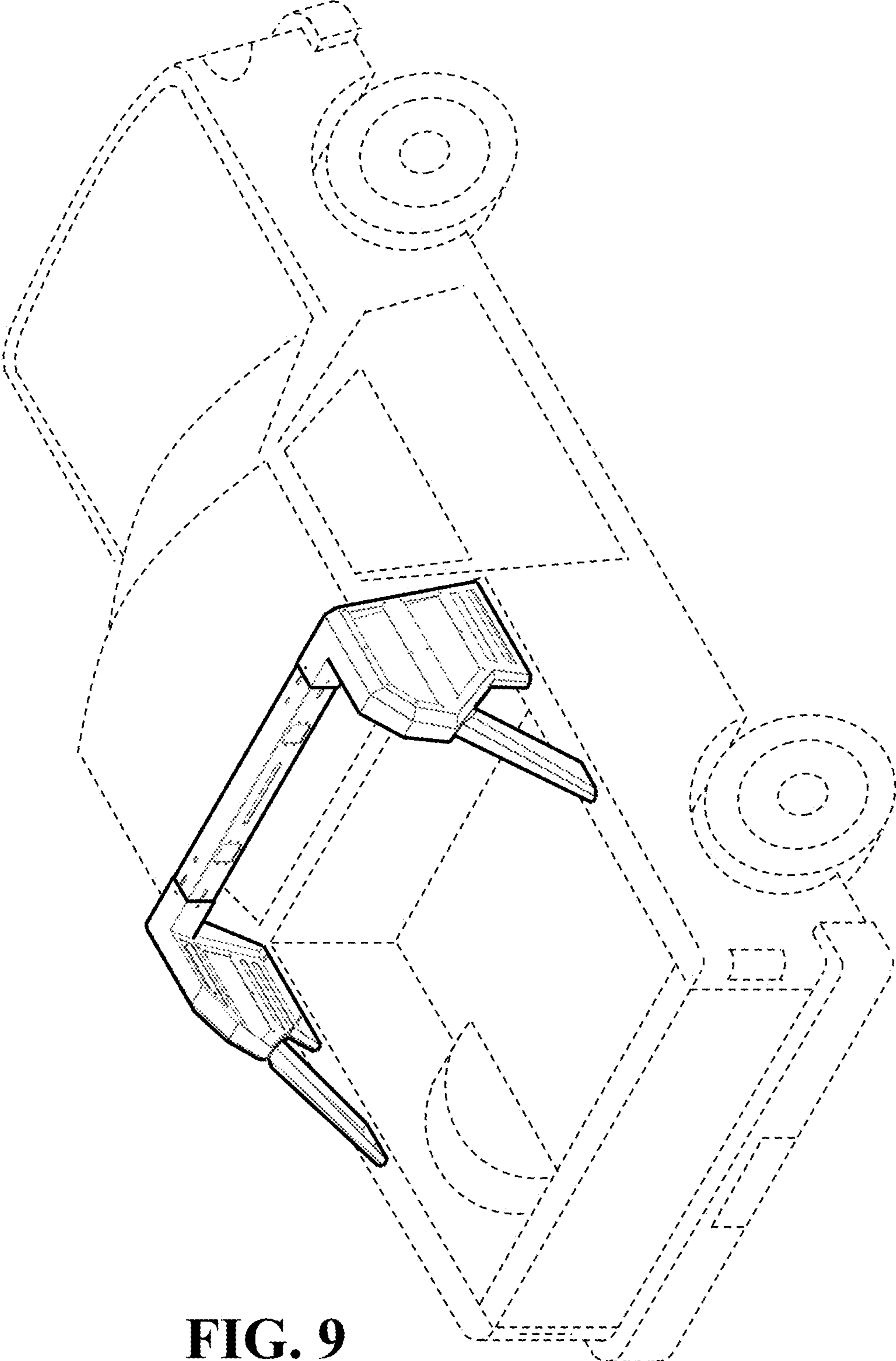


FIG. 8



**FIG. 9**