



US00D965496S

(12) **United States Design Patent** (10) **Patent No.:** **US D965,496 S**
Proctor (45) **Date of Patent:** **** Oct. 4, 2022**

(54) **TANK**
(71) Applicant: **MODULAR TANKING SOLUTIONS (MAURITIUS) LTD**, Ebene (MU)
(72) Inventor: **Clint Steel Proctor**, Durban (ZA)
(73) Assignee: **MODULAR TANKING SOLUTIONS (MAURITIUS) LTD**, Ebene (MU)

2012/0138630 A1 6/2012 Kinsey, III et al.
2012/0155982 A1 6/2012 Bennetto et al.
2014/0263690 A1 9/2014 Eckman
(Continued)

FOREIGN PATENT DOCUMENTS

DE 202006002564 U1 4/2006
DE 202009001825 U1 7/2009
WO WO-2001/058717 A1 8/2001
(Continued)

(**) Term: **15 Years**

OTHER PUBLICATIONS

(21) Appl. No.: **29/750,402**
(22) Filed: **Sep. 14, 2020**
(51) **LOC (13) Cl.** **12-06**
(52) **U.S. Cl.**
USPC **D12/218**
(58) **Field of Classification Search**
USPC D12/110, 197, 218, 223; D9/435-454;
D15/1, 3, 5, 17, 28
CPC B60K 15/03; B60K 15/07; B62J 35/00;
B62K 11/00; B62K 11/04
See application file for complete search history.

“Fuel tank Volvo 250L 20504486 , 20452160 830x675x560.”
Ferikas., Jan. 26, 2020 [online], [retrieved on Oct. 6, 2021]. Retrieved
from the Internet <URL: <https://ferikas.lt/en/volvo-renault-truck-fuel-tanks/2696-fuel-tank-volvo-250l-20504486--20452160-830x675x560.html>>.*
(Continued)

Primary Examiner — Darlington Ly
(74) *Attorney, Agent, or Firm* — Alston & Bird LLP

(57) **CLAIM**

I claim the ornamental design for a tank, as shown and described.

DESCRIPTION

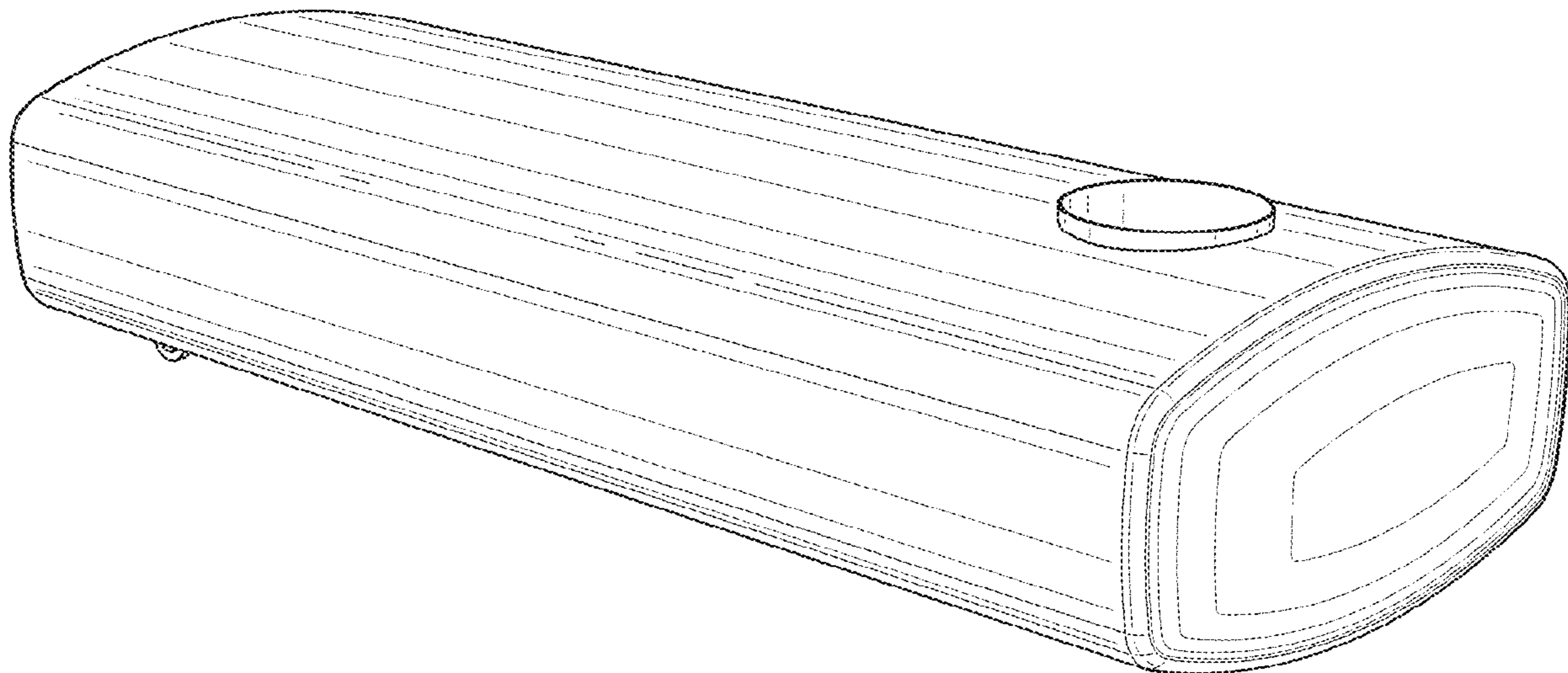
(56) **References Cited**

U.S. PATENT DOCUMENTS

5,069,352 A 12/1991 Harbolt et al.
D390,183 S * 2/1998 Manwill D12/218
D588,054 S * 3/2009 Xi-Ren D12/218
D623,720 S * 9/2010 Brown D23/211.1
D644,160 S * 8/2011 Fries D12/218
D669,100 S * 10/2012 Ringer D15/28
D685,452 S * 7/2013 Turner D23/211.1
D698,302 S * 1/2014 Waymire D12/218
D702,320 S * 4/2014 Pifer D23/233
D717,721 S * 11/2014 Guaresimo D12/414.1
D728,632 S * 5/2015 Klassen D15/28
D728,633 S * 5/2015 Klassen D15/28
9,885,484 B2 2/2018 Young et al.

FIG. 1 is a top perspective view of a tank showing the new design;
FIG. 2 is a bottom perspective view of the tank of FIG. 1;
FIG. 3 is a right side elevation view of the tank of FIG. 1;
FIG. 4 is a left side elevation view of the tank of FIG. 1;
FIG. 5 is a top plan view of the tank of FIG. 1;
FIG. 6 is a bottom plan view of the tank of FIG. 1;
FIG. 7 is a front elevation view of the tank of FIG. 1; and,
FIG. 8 is a rear elevation view of the tank of FIG. 1.
The broken lines in the drawings illustrate portions of the tank that form no part of the claimed design.

1 Claim, 7 Drawing Sheets



(56)

References Cited

U.S. PATENT DOCUMENTS

2017/0036182 A1 2/2017 Westlind et al.
2017/0174425 A1 6/2017 Huang

FOREIGN PATENT DOCUMENTS

WO WO-2001/062545 A1 8/2001
WO WO-2011/027305 A1 3/2011

OTHER PUBLICATIONS

“2012 Kenworth T370 2800 Gallon Gasoline / Fuel Truck—Paccar 350HP, Automatic.” My Little Salesman., Sep. 27, 2017 [online], [retrieved on Oct. 6, 2021]. Retrieved from the Internet <URL: <https://www.mylittlesalesman.com/2012-kenworth-t370-2800-gallon-gasoline-fuel-truck-paccar-350hp-automatic-10373262>>.*

“Paccar Genuine Forum: Paccar Genuine Peterbilt Fuel Tanks.” YouTube., Apr. 11, 2019 [online], [retrieved on Oct. 6, 2021]. Retrieved from the Internet <URL: <https://www.youtube.com/watch?v=1AAm6Lq2FY8>>.*

“Fuel tank for Volvo 490L 20503507 1230×700×700.” Ferikas., Feb. 23, 2021 [online], [retrieved on Oct. 6, 2021]. Retrieved from the Internet <URL: <https://ferikas.lt/en/volvo-renault-truck-fuel-tanks/524-fuel-tank-for-volvo-490l-20503507-1230x700x700.html>>.*

NonFinal Office Action for U.S. Appl. No. 16/980,552, dated Apr. 14, 2021, (10 pages), United States Patent and Trademark Office, USA.

NonFinal Office Action for U.S. Appl. No. 16/980,552, filed Dec. 11, 2020, (11 pages), United States Patent and Trademark Office, USA.

* cited by examiner

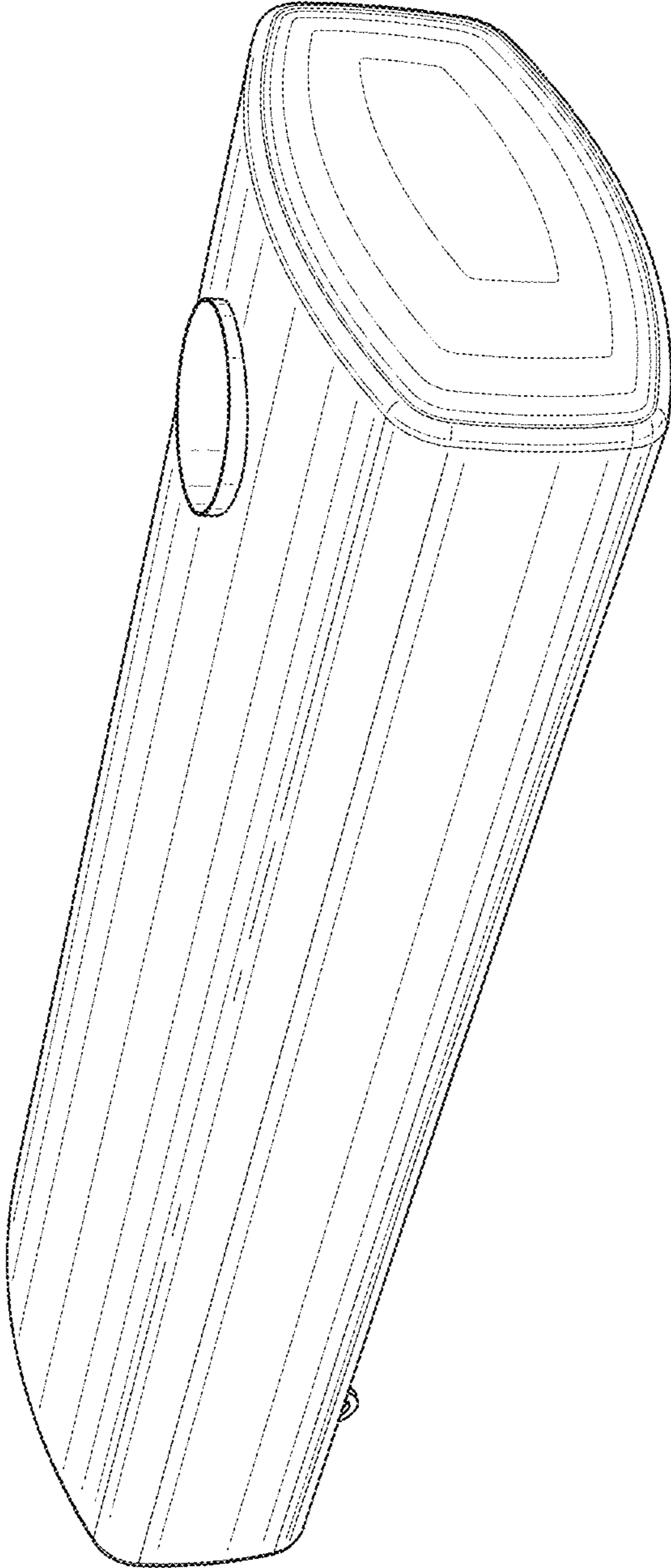


FIGURE 1

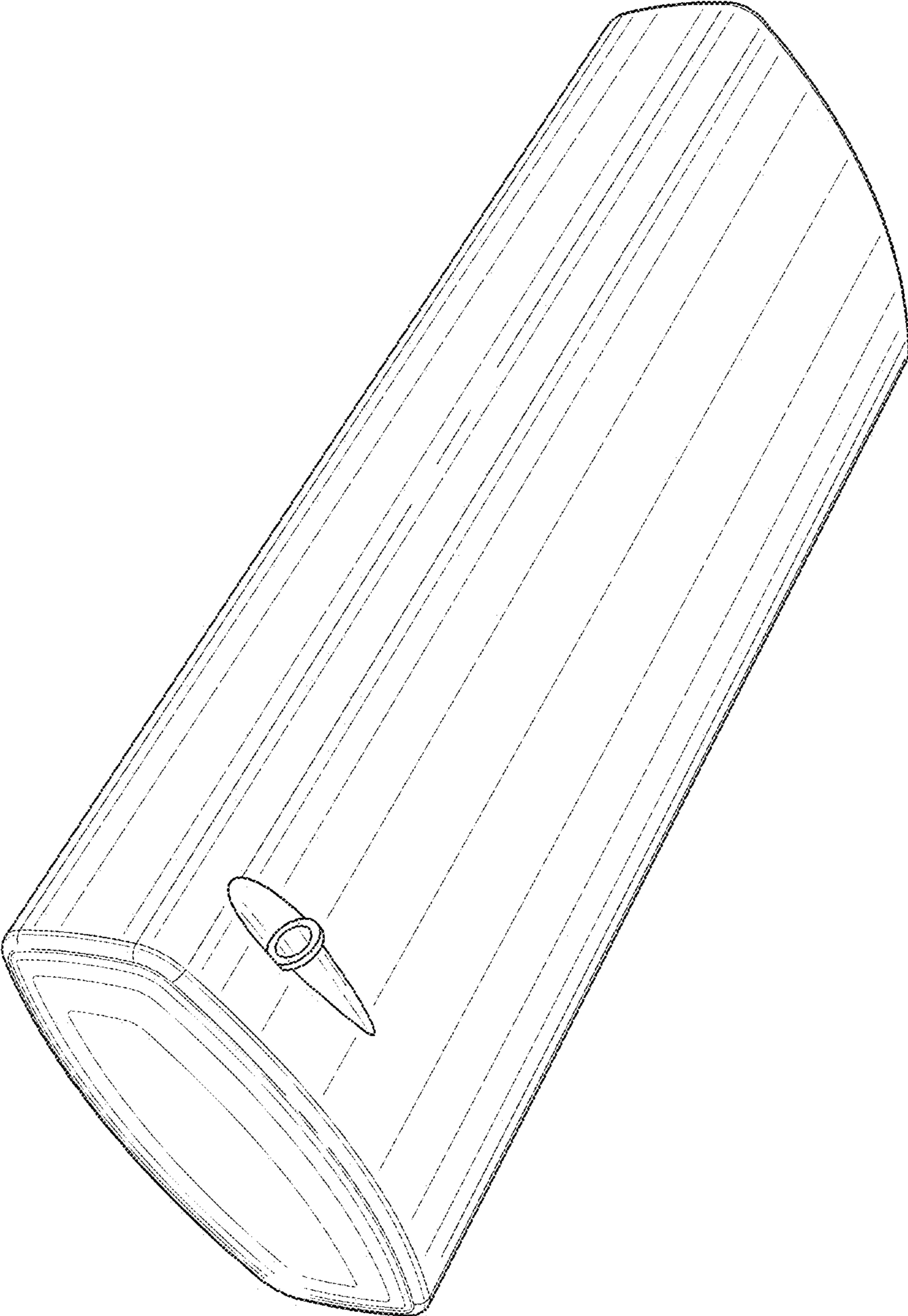


FIGURE 2

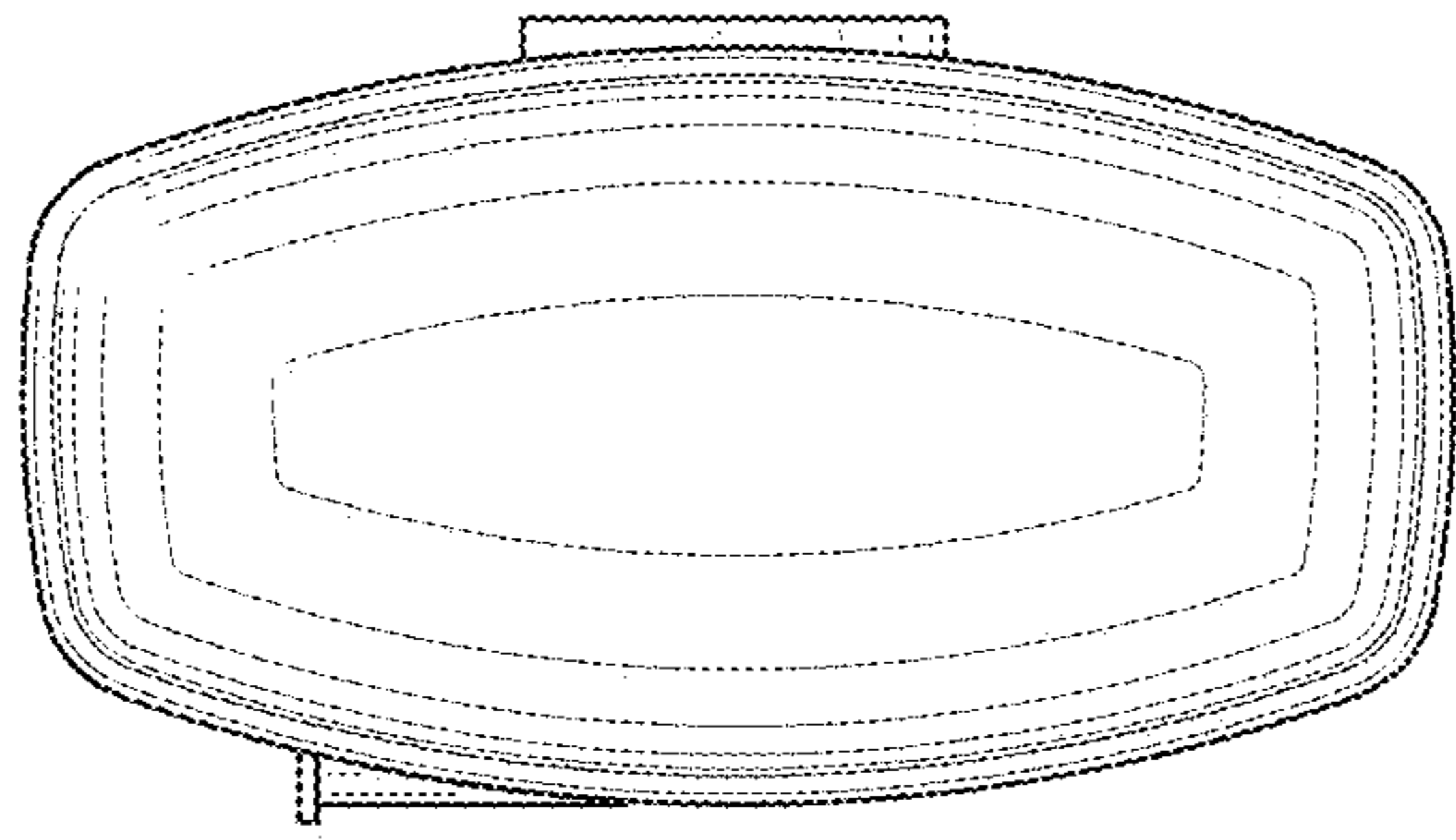


FIGURE 3

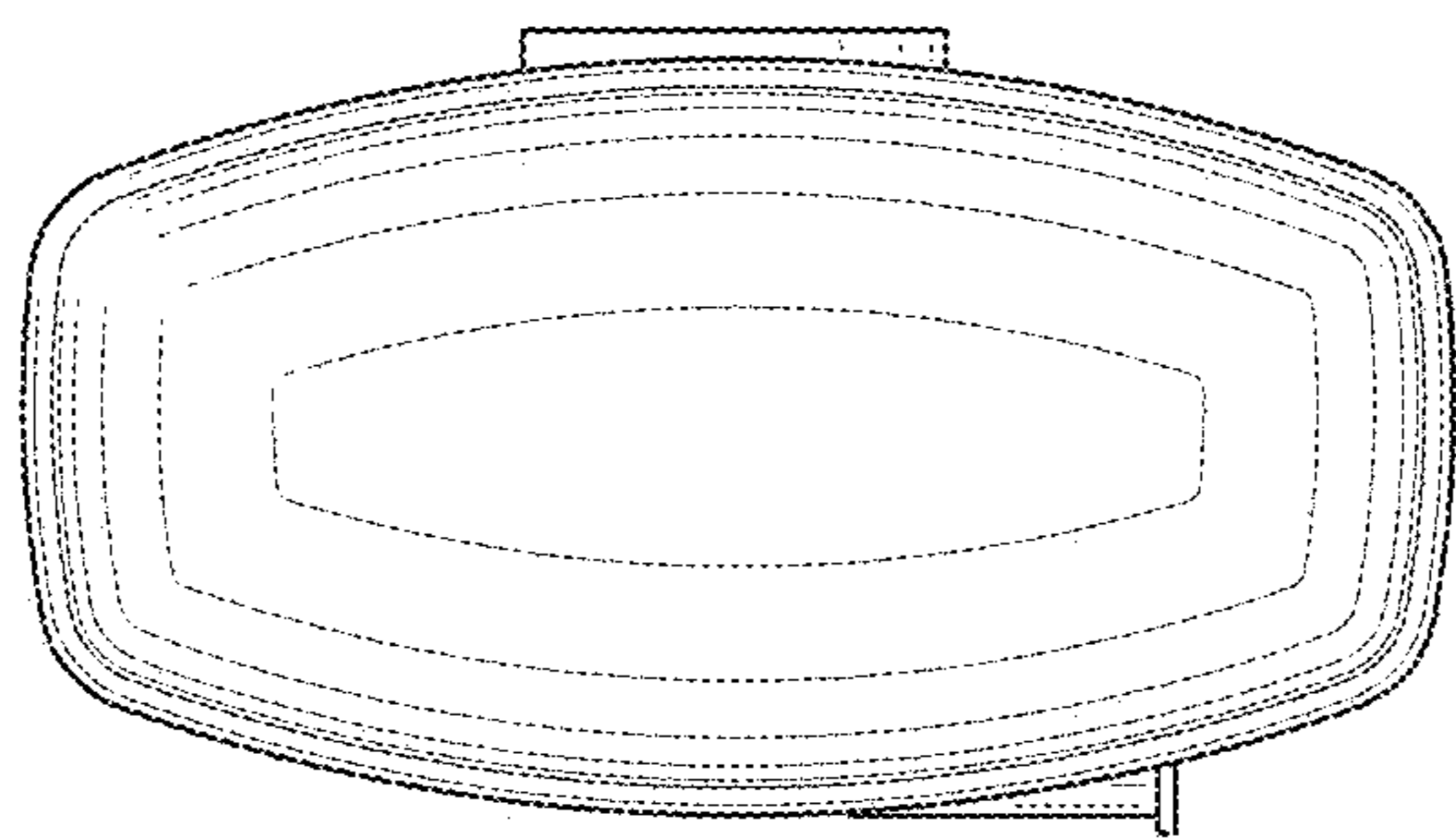


FIGURE 4

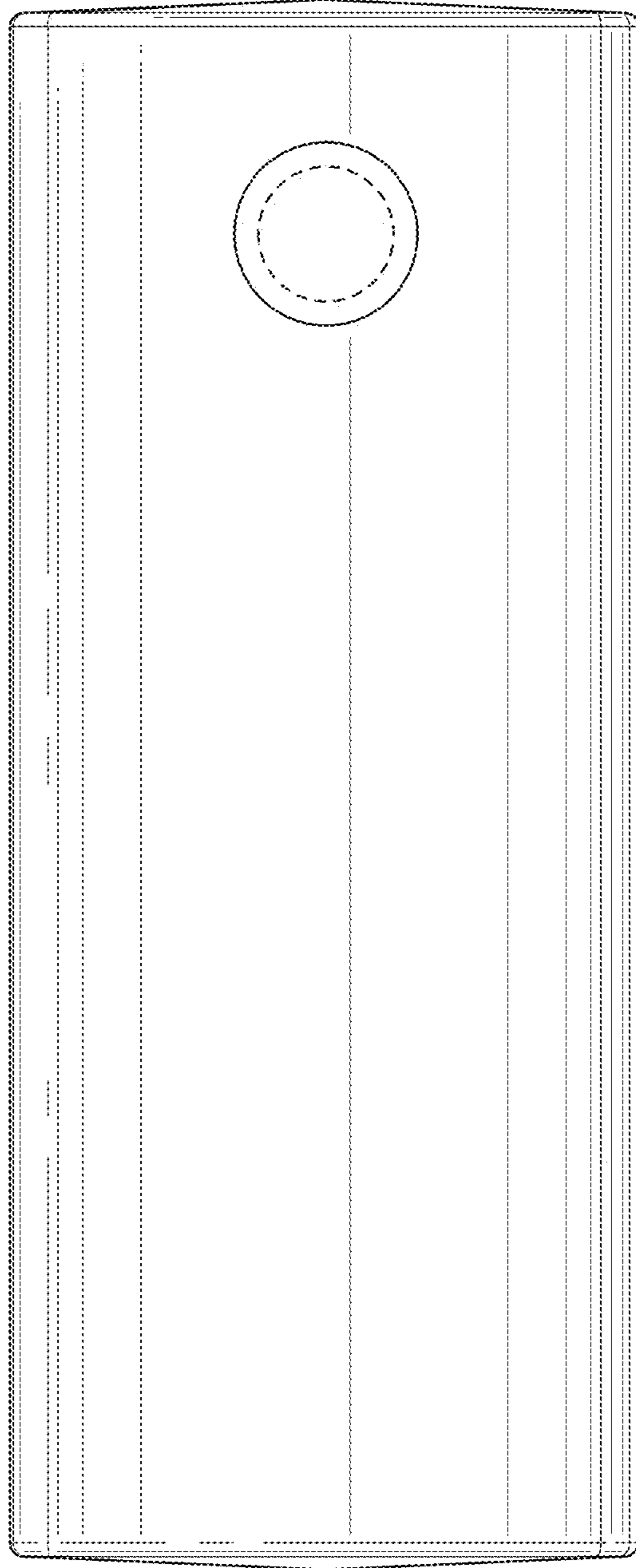


FIGURE 5

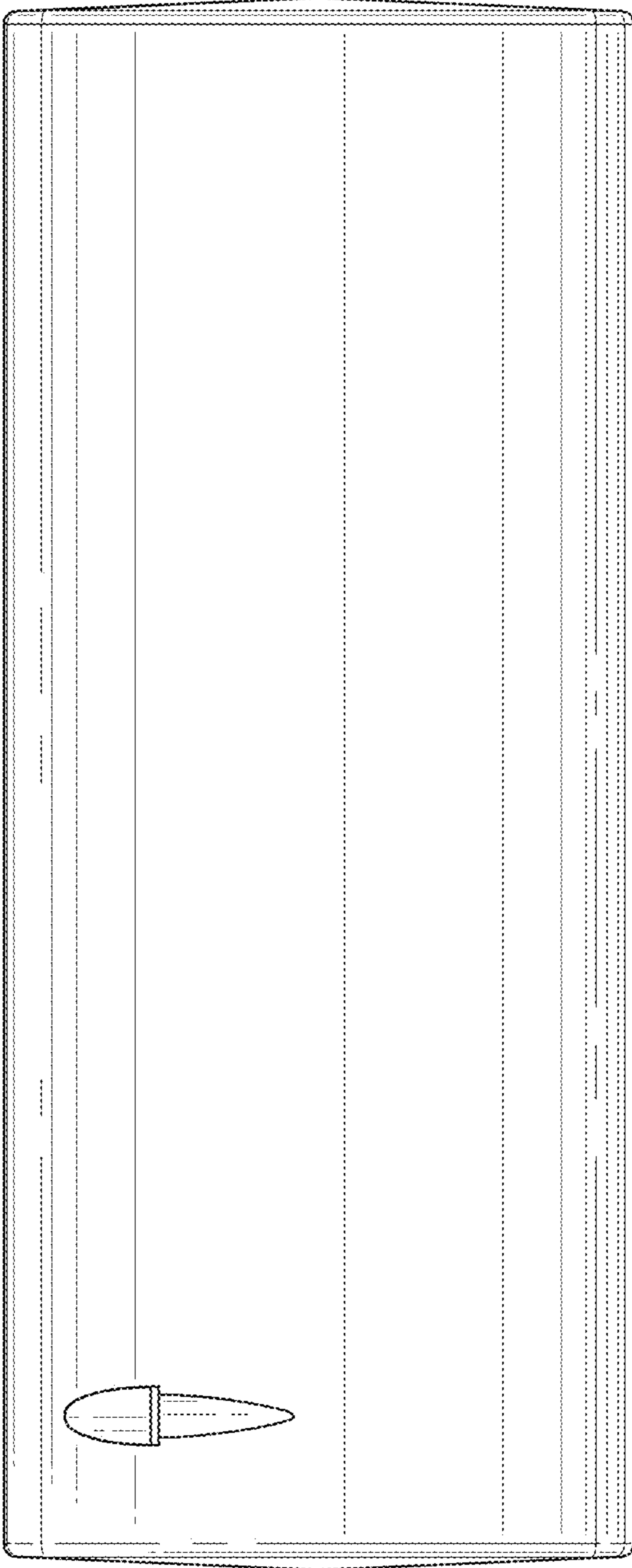


FIGURE 6

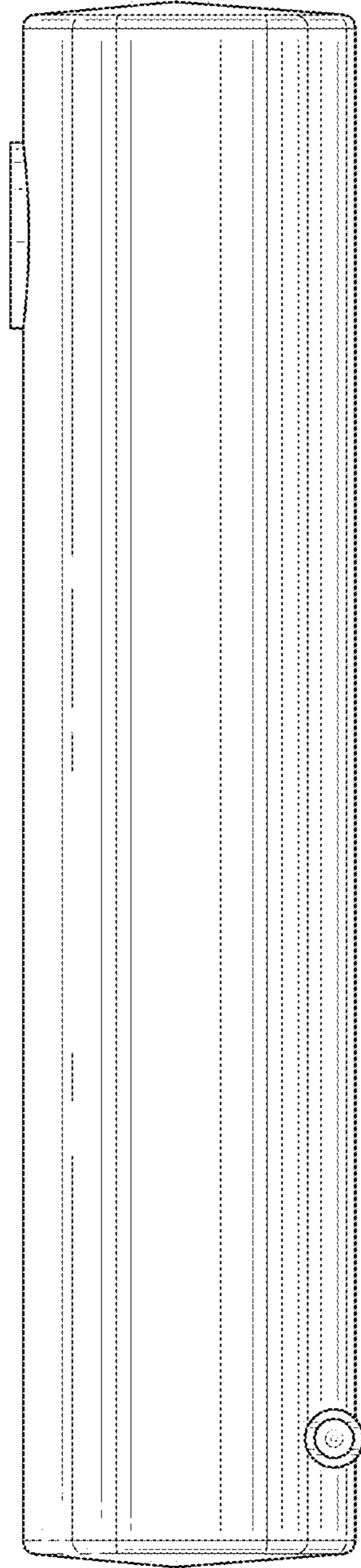


FIGURE 7

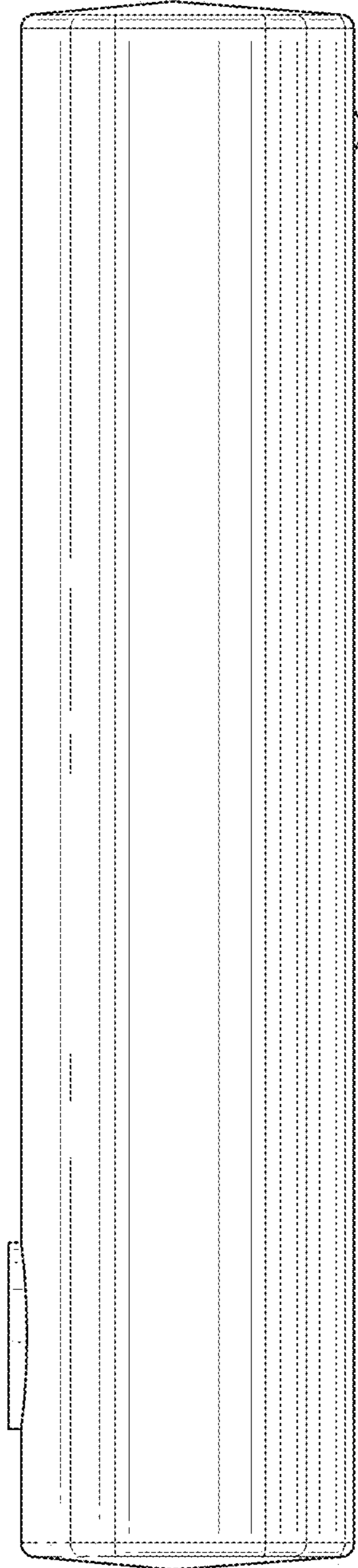


FIGURE 8