



US00D965494S

(12) **United States Design Patent** (10) **Patent No.:** **US D965,494 S**  
**Nakamura et al.** (45) **Date of Patent:** **\*\* Oct. 4, 2022**

(54) **INSTRUMENT PANEL FOR A MOTOR VEHICLE**

(71) Applicant: **MAZDA MOTOR CORPORATION**, Hiroshima (JP)

(72) Inventors: **Takayuki Nakamura**, Hiroshima (JP); **Daiki Hamanaga**, Hiroshima (JP); **Ian Hedge**, Irvine, CA (US); **Syunsuke Teraoka**, Hiroshima (JP); **Yuki Terashima**, Hiroshima (JP); **Yukio Irie**, Hiroshima (JP); **Manami Nakamori**, Hiroshima (JP)

(73) Assignee: **MAZDA MOTOR CORPORATION**, Hiroshima (JP)

(\*\*) Term: **15 Years**

(21) Appl. No.: **29/730,964**

(22) Filed: **Apr. 9, 2020**

(51) **LOC (13) Cl.** ..... **12-16**

(52) **U.S. Cl.**  
USPC ..... **D12/192**

(58) **Field of Classification Search**  
USPC ..... D12/190, 191, 192, 195, 345, 415-420, D12/400, 110, 114, 106, 96, 99; D14/157, 485, 489, 492, 488, 490; D15/17, 28  
CPC ..... B60H 1/34; B60H 1/3407; B60H 1/3414; B60H 1/3421; B60H 1/3428; B60H 1/3435; B60H 1/3442; B60H 1/345; B60H 1/3457; B60H 1/0055

See application file for complete search history.

(56) **References Cited**

U.S. PATENT DOCUMENTS

D697,852 S *	1/2014	Yamagata	.....	D12/192
D800,040 S *	10/2017	Kasano	.....	D12/192
D826,122 S *	8/2018	Yamamoto	.....	D12/192
D828,259 S *	9/2018	Takagi	.....	D12/192
D840,305 S *	2/2019	Chang	.....	D12/192
D860,892 S *	9/2019	Ohmori	.....	D12/192
D874,371 S *	2/2020	Buttery	.....	D12/192
D917,357 S *	4/2021	Inagaki	.....	D12/192
D936,547 S *	11/2021	Schlapp	.....	D12/192
D939,414 S *	12/2021	Aizawa	.....	D12/192

\* cited by examiner

*Primary Examiner* — Susan E Krakower

*Assistant Examiner* — Jerry Shiu-an-Hua Hsu

(74) *Attorney, Agent, or Firm* — Studebaker & Brackett PC

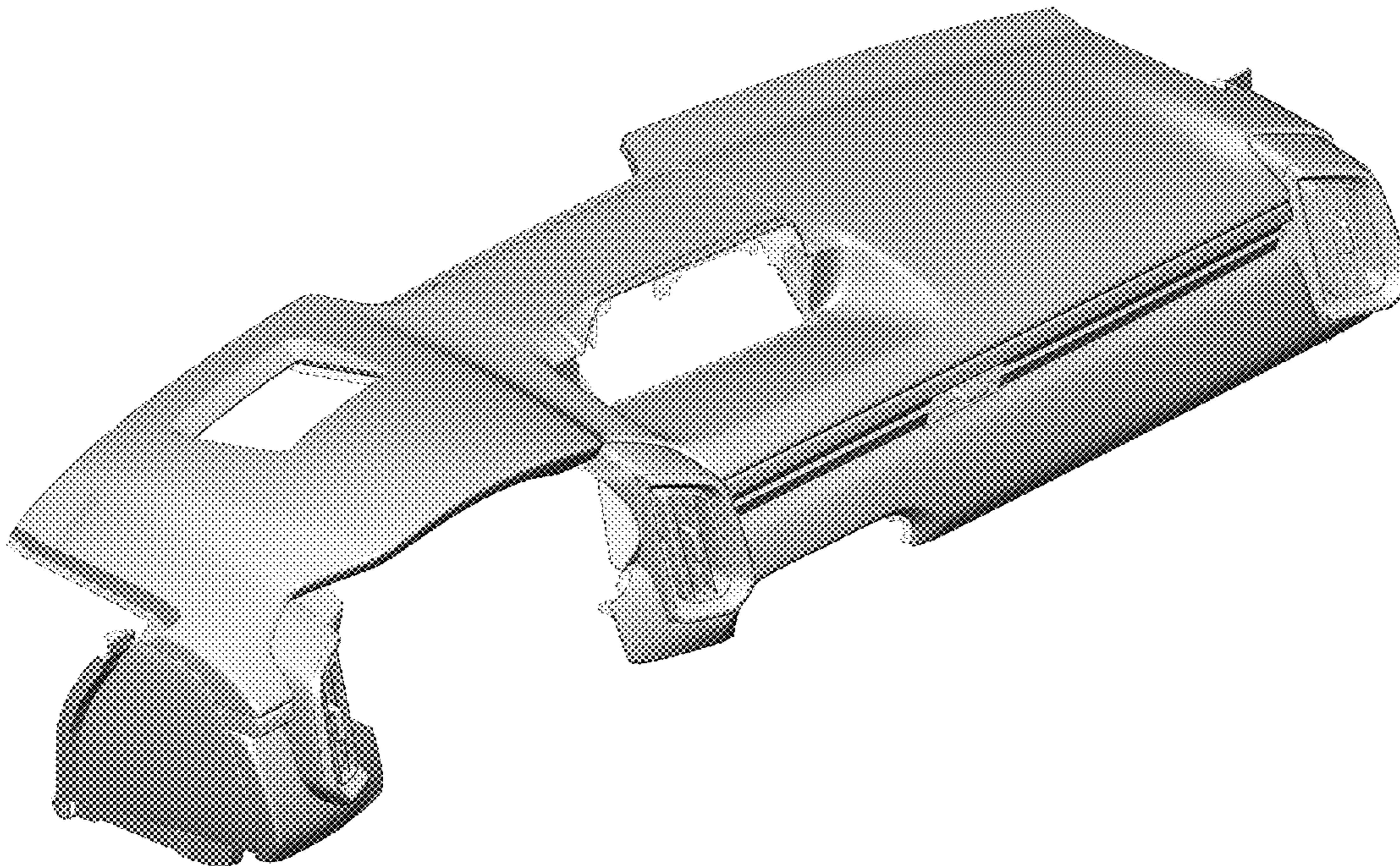
(57) **CLAIM**

The ornamental design for an instrument panel for a motor vehicle, as shown and described.

**DESCRIPTION**

FIG. 1 is a perspective view of an instrument panel for a motor vehicle;  
FIG. 2 is a front view thereof;  
FIG. 3 is a rear view thereof;  
FIG. 4 is a left side view thereof;  
FIG. 5 is a right side view thereof;  
FIG. 6 is a top view thereof; and,  
FIG. 7 is a bottom view thereof.  
The dash-dash broken lines and de-emphasized in half-tone portions illustrate portions of the instrument panel for a motor vehicle that form no part of the claimed design.

**1 Claim, 6 Drawing Sheets**



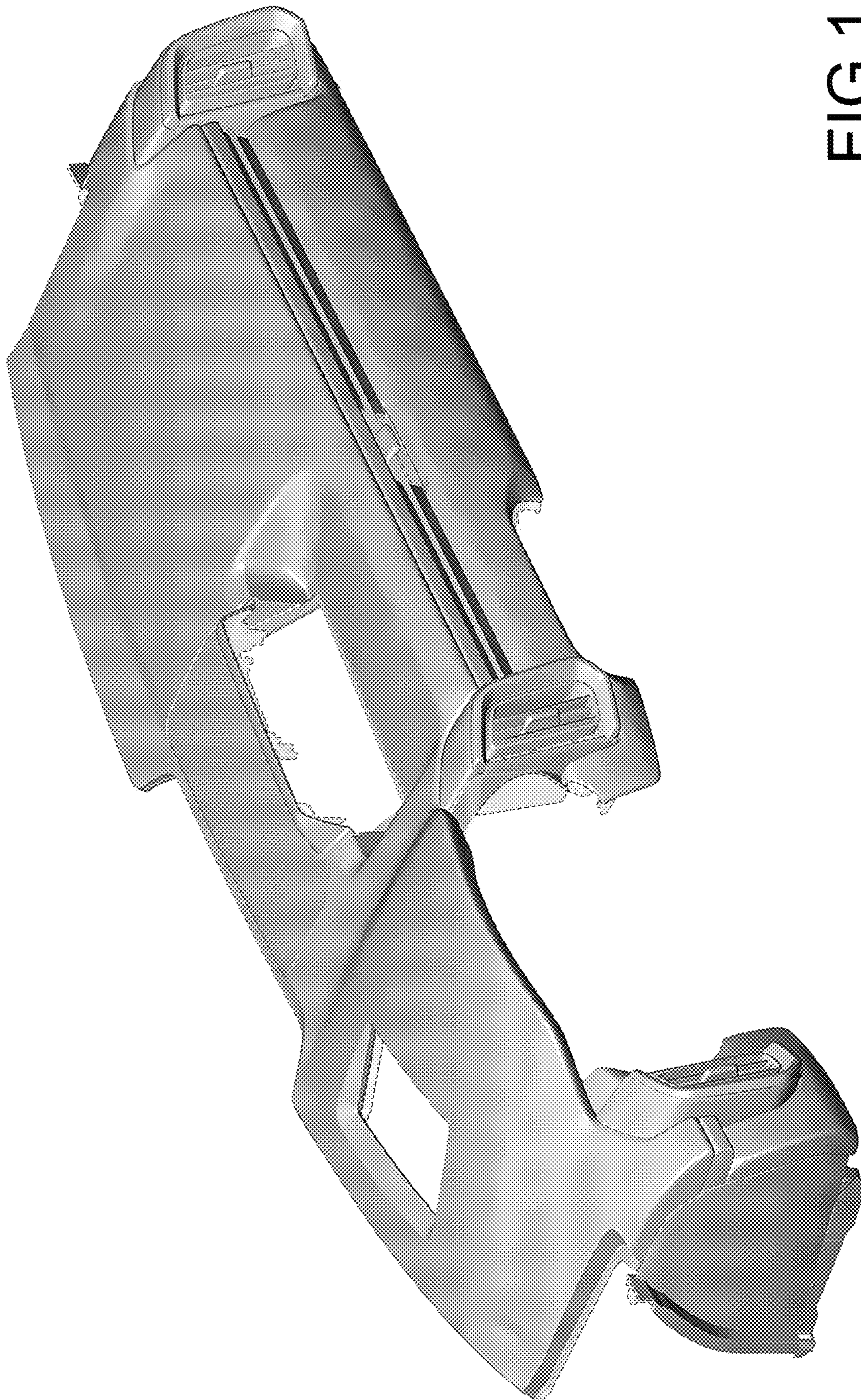


FIG.1

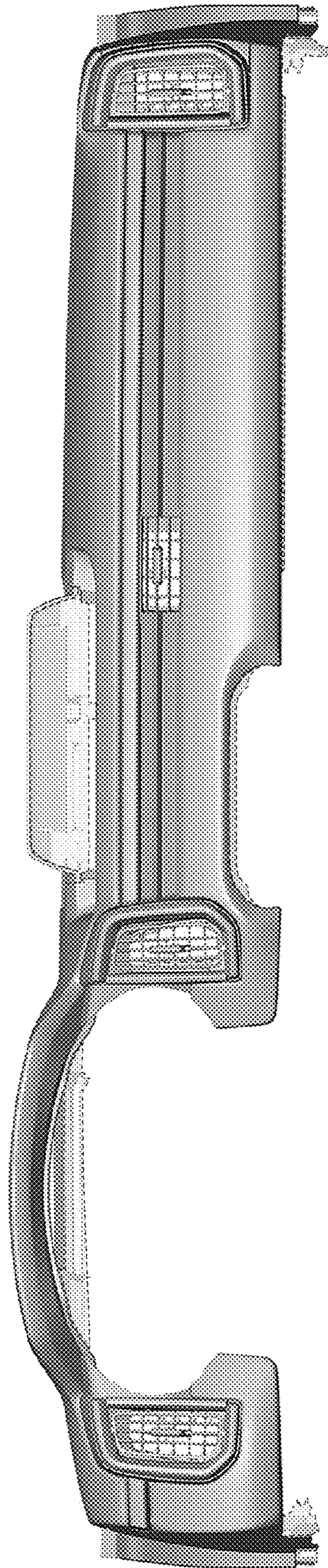


FIG.2

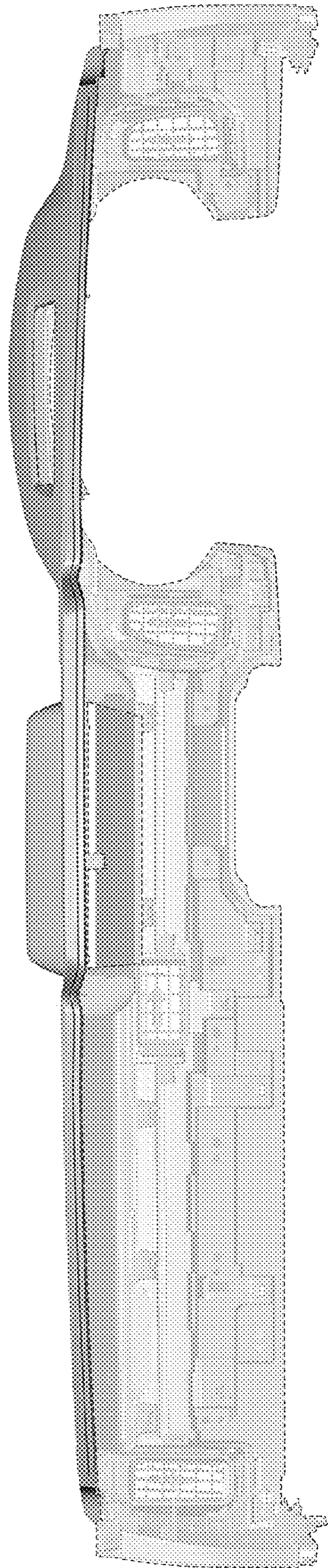


FIG.3

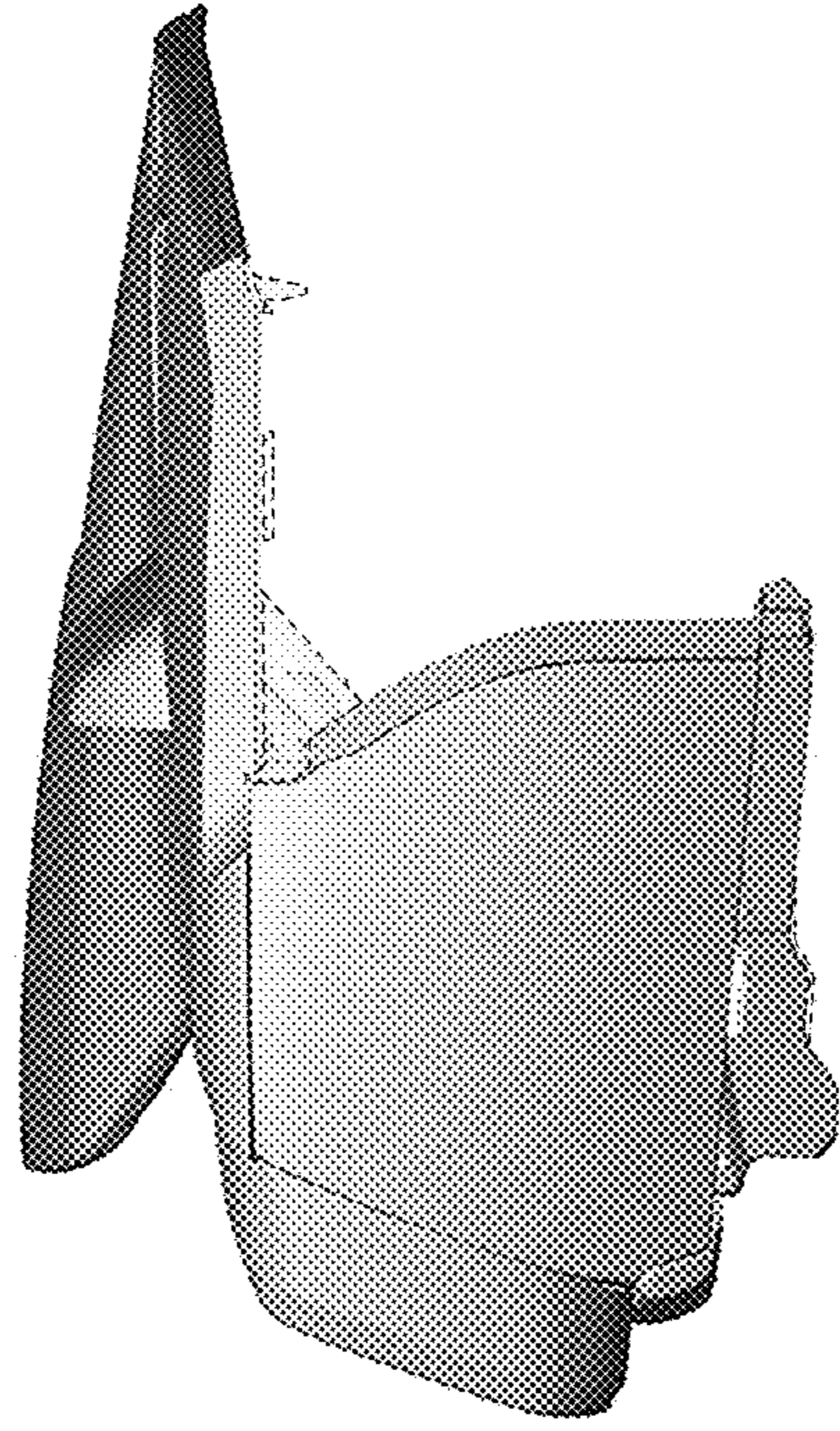


FIG.4

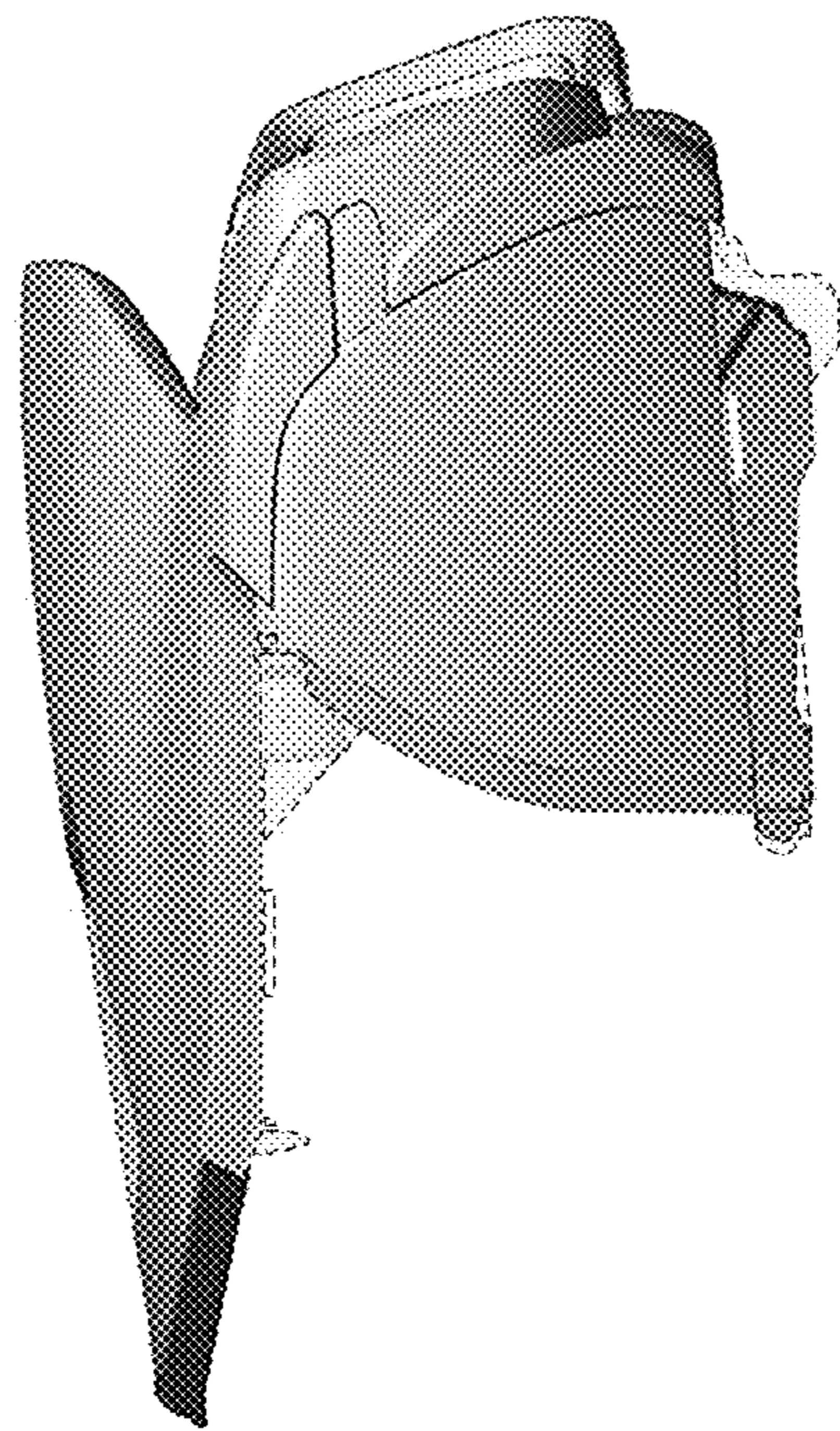


FIG.5



FIG. 6

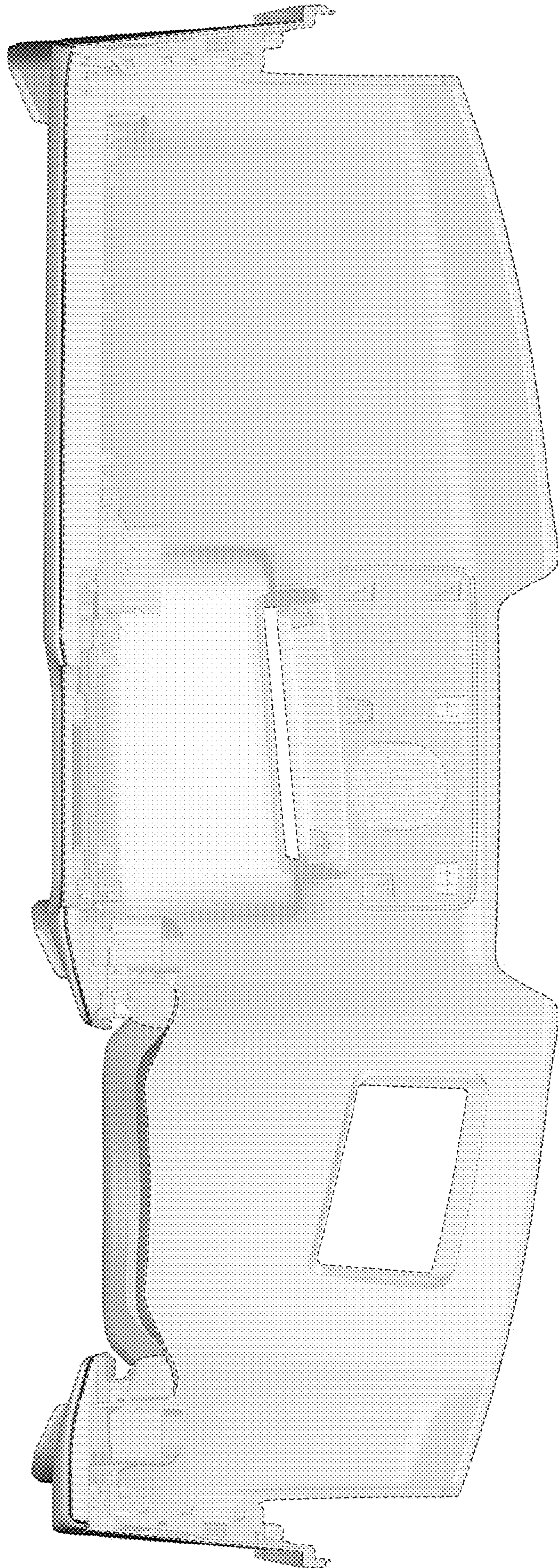


FIG. 7