

US00D965491S

(12) **United States Design Patent** (10) **Patent No.:** **US D965,491 S**
Hunwick (45) **Date of Patent:** **** Oct. 4, 2022**

(54) **VEHICLE LIFTGATE GLASS PANEL**
(71) Applicant: **GM GLOBAL TECHNOLOGY OPERATIONS LLC**, Detroit, MI (US)
(72) Inventor: **Robert F. Hunwick**, Washington Township, MI (US)
(73) Assignee: **GM Global Technology Operations LLC**, Detroit, MI (US)

D753,567 S 4/2016 Boniface et al.
D758,271 S 6/2016 McMahan et al.
D767,454 S 9/2016 McMahan et al.
D767,459 S 9/2016 Kim
D767,461 S 9/2016 Kozub et al.
D776,021 S 1/2017 Kapitonov
D776,581 S 1/2017 Pevovar et al.
D778,212 S 2/2017 Kozub et al.
D780,077 S 2/2017 Kim et al.
D783,482 S 4/2017 Smith et al.
D784,886 S 4/2017 Smith et al.

(Continued)

(**) Term: **15 Years**

OTHER PUBLICATIONS

(21) Appl. No.: **29/766,073**

Rear Windshields. (Design—© Questel) orbit.com. [Online PDF compilation of references] 51 pgs. Print Dates Range May 25, 2021-Jun. 13, 2019 [Retrieved Jul. 27, 2022].*

(22) Filed: **Jan. 13, 2021**

(51) **LOC (13) Cl.** **12-16**

(52) **U.S. Cl.**

USPC **D12/183**

(58) **Field of Classification Search**

USPC D12/181, 182, 183, 191, 400, 401, 417
CPC B60R 19/18; B60R 19/24; B60R 19/44;
B60R 19/48; B60R 19/56; B60R
2019/527; B60R 2019/1886; B62D
25/0845; B60J 11/06; B60J 11/08

See application file for complete search history.

(Continued)

Primary Examiner — George D. Kirschbaum

Assistant Examiner — Suzanne E Tisdell

(57) **CLAIM**

The ornamental design for a vehicle liftgate glass panel, as shown and described.

DESCRIPTION

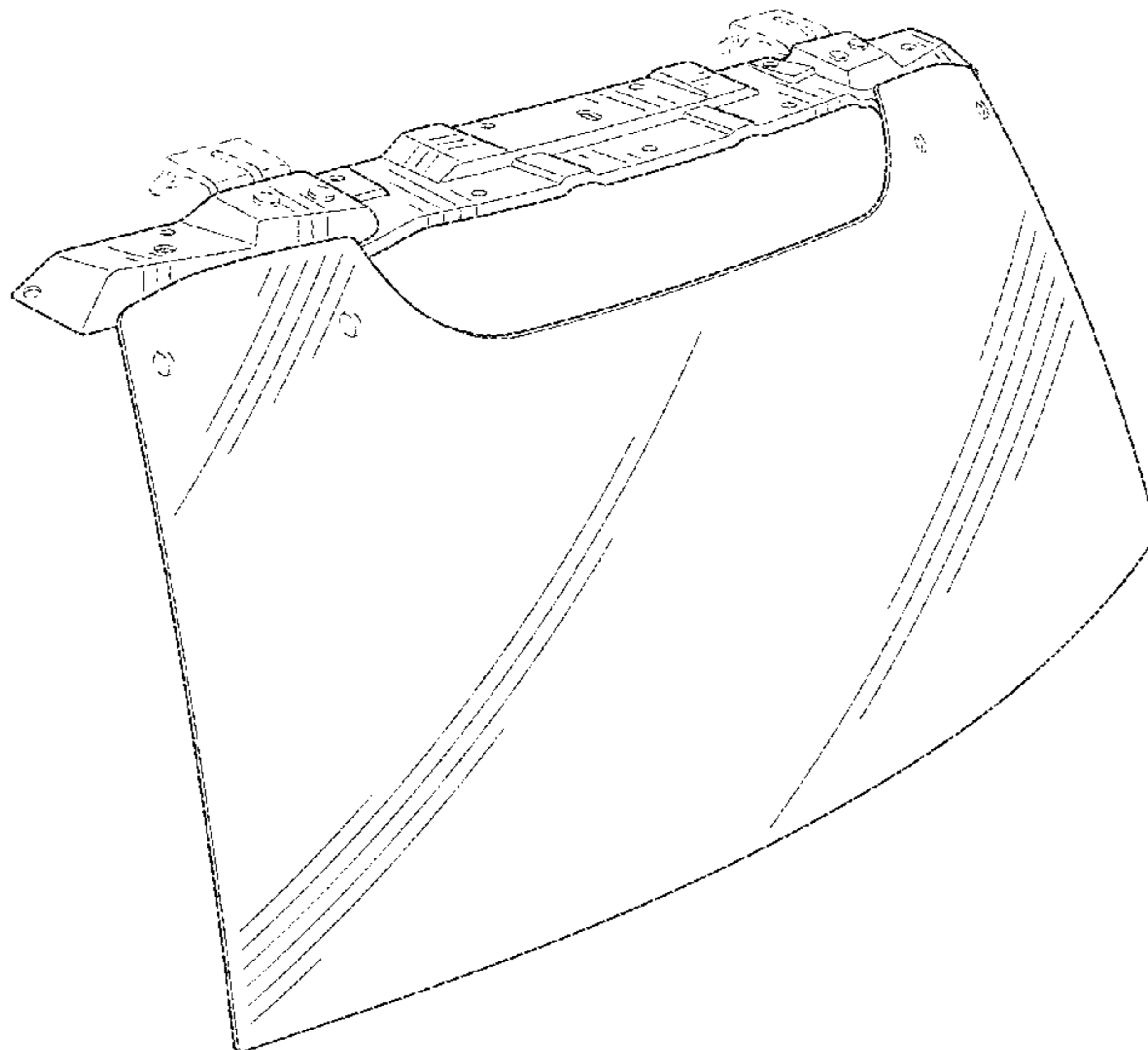
FIG. 1 is a front and left perspective view of a vehicle liftgate glass panel showing my new design; FIG. 2 is a front elevation view of the vehicle liftgate glass panel of FIG. 1; FIG. 3 is a left elevation view thereof; FIG. 4 is a right elevation view thereof; FIG. 5 is a top view thereof; FIG. 6 is a back elevation view thereof; and, FIG. 7 is a bottom view thereof. The broken lines in the drawings depict portions of the vehicle liftgate glass panel that form no part of the claimed design.

(56) **References Cited**

U.S. PATENT DOCUMENTS

D373,985 S * 9/1996 Weaver D12/401
D623,995 S * 9/2010 Woolley D12/182
D704,603 S 5/2014 Munson et al.
D707,599 S * 6/2014 Pifer, III D12/183
D708,994 S 7/2014 Thurber
D711,294 S 8/2014 Karras et al.
D733,018 S 6/2015 McCabe et al.
D743,313 S 11/2015 Smith et al.
D743,314 S 11/2015 Thole et al.
D749,997 S 2/2016 McMahan et al.
D753,032 S 4/2016 Smith et al.
D753,033 S 4/2016 Thole et al.
D753,035 S 4/2016 Boniface et al.

1 Claim, 7 Drawing Sheets



(56)

References Cited

U.S. PATENT DOCUMENTS

D787,989 S 5/2017 Kozub et al.
 D788,001 S 5/2017 Lee
 D789,575 S 6/2017 Willett
 D789,849 S 6/2017 Lee
 D792,294 S 7/2017 McCabe et al.
 D793,294 S 8/2017 Lee
 D793,295 S 8/2017 McCabe et al.
 D793,299 S 8/2017 Krieg et al.
 D793,300 S 8/2017 Krieg et al.
 D797,616 S 9/2017 Lee
 D797,631 S 9/2017 Pevovar et al.
 D797,632 S 9/2017 Zipfel et al.
 D801,236 S 10/2017 Kozub et al.
 D801,882 S 11/2017 Kozub et al.
 D801,889 S 11/2017 Han
 D804,370 S 12/2017 Kozub et al.
 D804,371 S 12/2017 Whitla et al.
 D805,441 S 12/2017 Karras
 D805,985 S 12/2017 Nakamura
 D811,958 S 3/2018 Zipfel et al.
 D811,959 S 3/2018 Perkins
 D811,961 S 3/2018 Sullivan
 D811,962 S 3/2018 Sullivan
 D811,963 S 3/2018 Sullivan
 D811,965 S 3/2018 Moffett et al.
 D813,110 S 3/2018 Whitla et al.
 D813,111 S 3/2018 Sullivan
 D813,116 S 3/2018 Park
 D813,117 S 3/2018 Sullivan
 D813,740 S 3/2018 Park
 D813,741 S 3/2018 Perkins
 D813,742 S 3/2018 McMahan et al.
 D813,743 S 3/2018 Lee
 D813,744 S 3/2018 Whitla et al.
 D813,748 S 3/2018 Kim
 D813,753 S 3/2018 Loeb
 D813,754 S 3/2018 Loeb
 D813,755 S 3/2018 Loeb
 D813,756 S 3/2018 Loeb
 D815,572 S 4/2018 Perkins
 D816,003 S 4/2018 Perkins
 D816,563 S 5/2018 McMahan et al.
 D816,565 S 5/2018 Kim
 D817,836 S 5/2018 McMahan et al.
 D818,922 S 5/2018 Whitla et al.
 D819,519 S 6/2018 Whitla et al.
 D822,551 S 7/2018 McMahan et al.
 D823,762 S 7/2018 Loeb
 D823,763 S 7/2018 Koo et al.
 D828,246 S 9/2018 Loeb
 D828,261 S 9/2018 Moffett et al.
 D829,143 S 9/2018 McMahan et al.
 D832,751 S * 11/2018 Lewis D12/183
 D839,163 S 1/2019 Pinazzo et al.
 D840,306 S 2/2019 Kozub
 D841,547 S 2/2019 Zipfel et al.
 D843,904 S 3/2019 Kim
 D845,186 S 4/2019 Koo et al.
 D845,188 S 4/2019 Pinazzo et al.
 D845,189 S 4/2019 Pinazzo et al.
 D846,457 S 4/2019 Koo et al.

D846,458 S 4/2019 Mack et al.
 D847,043 S 4/2019 Kozub
 D847,045 S 4/2019 Whitla et al.
 D847,046 S 4/2019 Whitla et al.
 D847,047 S 4/2019 Krieg et al.
 D847,703 S 5/2019 Kozub
 D848,909 S 5/2019 Lee
 D848,911 S 5/2019 De Leon
 D849,627 S 5/2019 Zipfel
 D849,629 S 5/2019 De Leon
 D849,630 S 5/2019 De Leon
 D851,558 S 6/2019 Thurber et al.
 D851,559 S 6/2019 Thurber et al.
 D853,924 S 7/2019 Riggs et al.
 D854,462 S 7/2019 Lee
 D855,504 S 8/2019 Lee
 D855,505 S 8/2019 Thurber et al.
 D855,507 S 8/2019 Blanski et al.
 D856,242 S 8/2019 Blanski et al.
 D857,260 S 8/2019 Kil et al.
 D858,377 S 9/2019 Riggs et al.
 D859,237 S 9/2019 Koo et al.
 D859,238 S 9/2019 Smith et al.
 D859,239 S 9/2019 Sullivan et al.
 D859,252 S 9/2019 Krieg
 D859,253 S 9/2019 Izard
 D859,254 S 9/2019 Izard
 D860,077 S 9/2019 Riggs et al.
 D860,079 S 9/2019 Sullivan et al.
 D863,142 S 10/2019 Zipfel
 D863,169 S 10/2019 Whitla et al.
 D867,949 S 11/2019 Thurber et al.
 D868,660 S 12/2019 De Leon
 D873,751 S 1/2020 De Leon
 D877,005 S 3/2020 Luke et al.
 D877,006 S 3/2020 Luke et al.
 D881,087 S 4/2020 Luke et al.
 D897,255 S 9/2020 Zipfel
 D897,919 S 10/2020 Choi et al.
 D902,800 S 11/2020 Gay
 D902,801 S 11/2020 Gay
 D903,568 S 12/2020 Choi et al.
 D924,779 S * 7/2021 Emerson D12/401
 D930,532 S * 9/2021 Zhao D12/181
 D930,552 S * 9/2021 Dowdey D12/401
 D932,400 S * 10/2021 Anscheidt D12/181
 D932,402 S * 10/2021 Piaskowski D12/182
 D932,964 S * 10/2021 Piaskowski D12/182
 D936,545 S * 11/2021 Guo D12/191
 D940,021 S * 1/2022 Lewis D12/183
 D947,096 S * 3/2022 Rudolph D12/401

OTHER PUBLICATIONS

Glass Replacement For GMC Yukon. Dec. 15, 2017. Amazon. <https://www.amazon.com/Denali-Heated-Liftgate-Tailgate-Replacement/dp/B0789TS43X>.
 Genuine GM Window. 2006. GM Parts Giant. <https://www.gmpartsgiant.com/parts/gm-window-15847109.html>.
 Back Tailgate Glass. Sep. 17, 2019. Amazon. https://www.amazon.com/NAGD-Tailgate-Compatible-Chevrolet-2007-2014/dp/B08KBRBKHT/ref=psdc_15709811_t4_B0789TS43X.

* cited by examiner

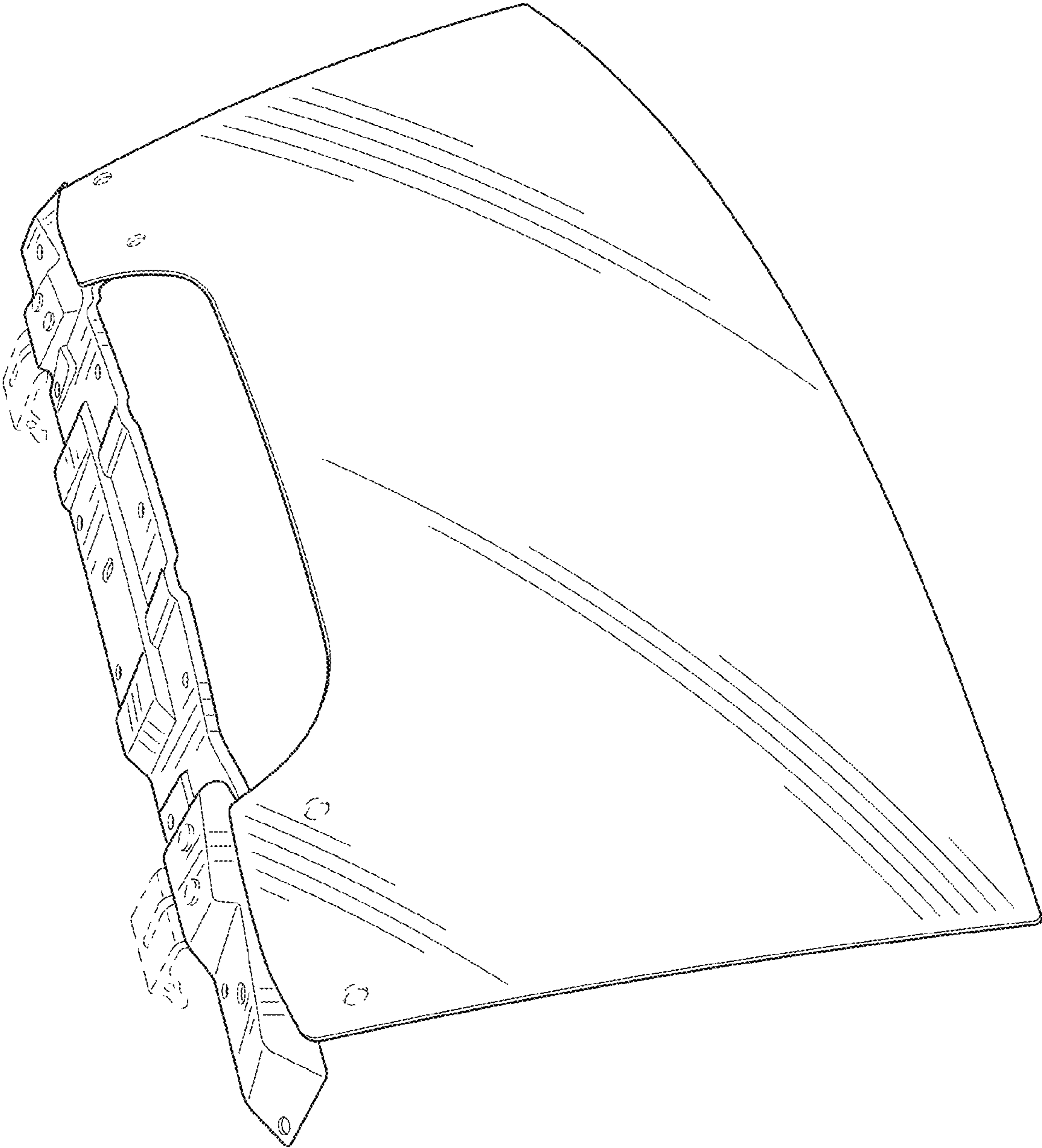


FIG. 1

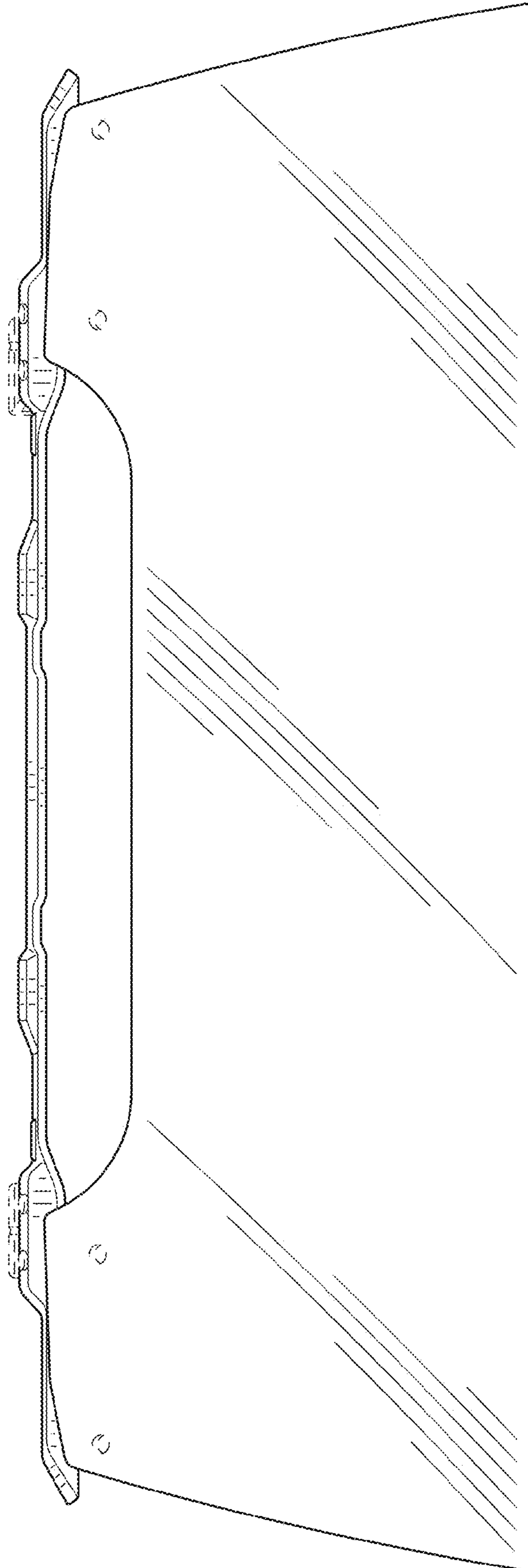


FIG. 2

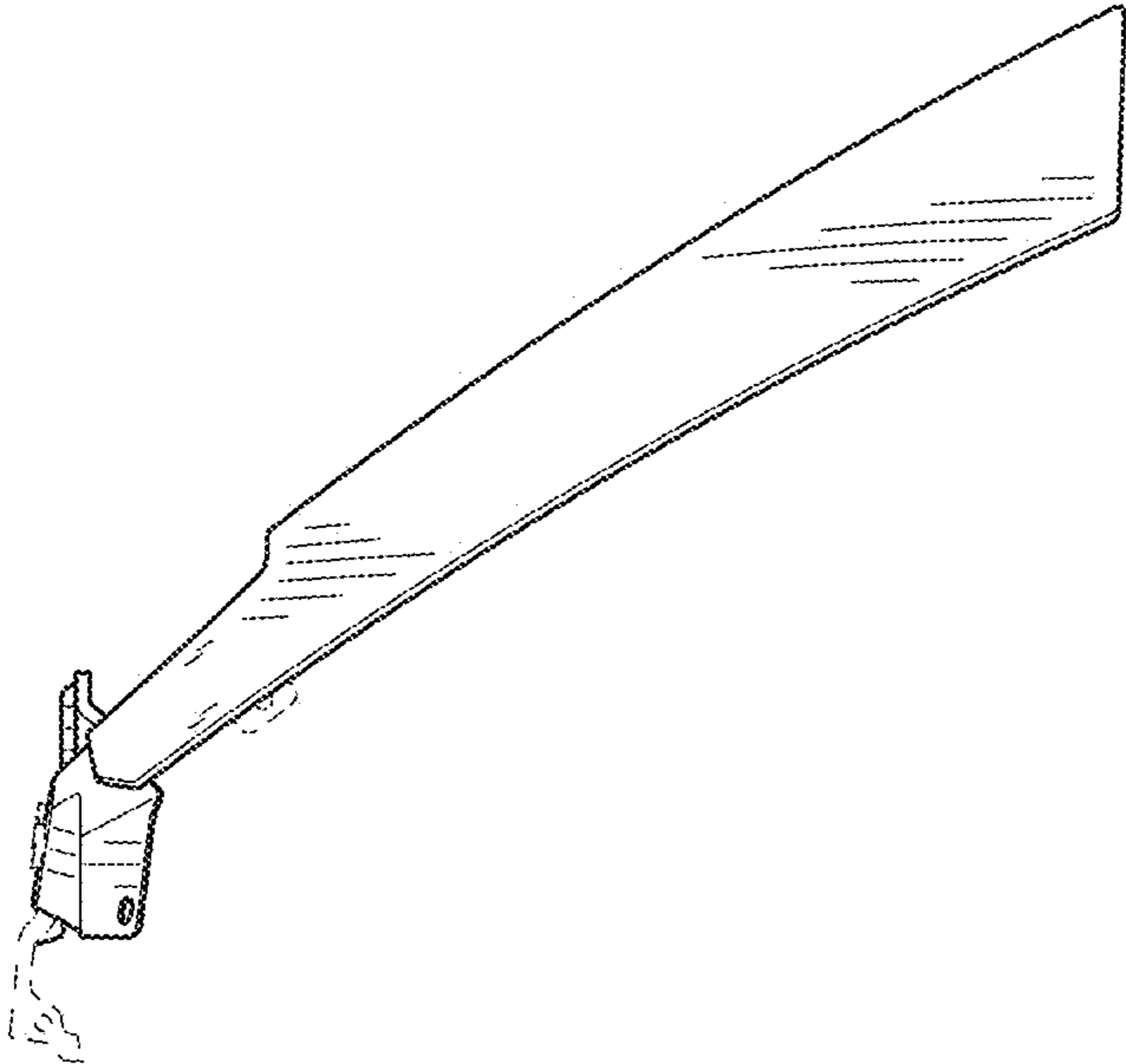


FIG. 3

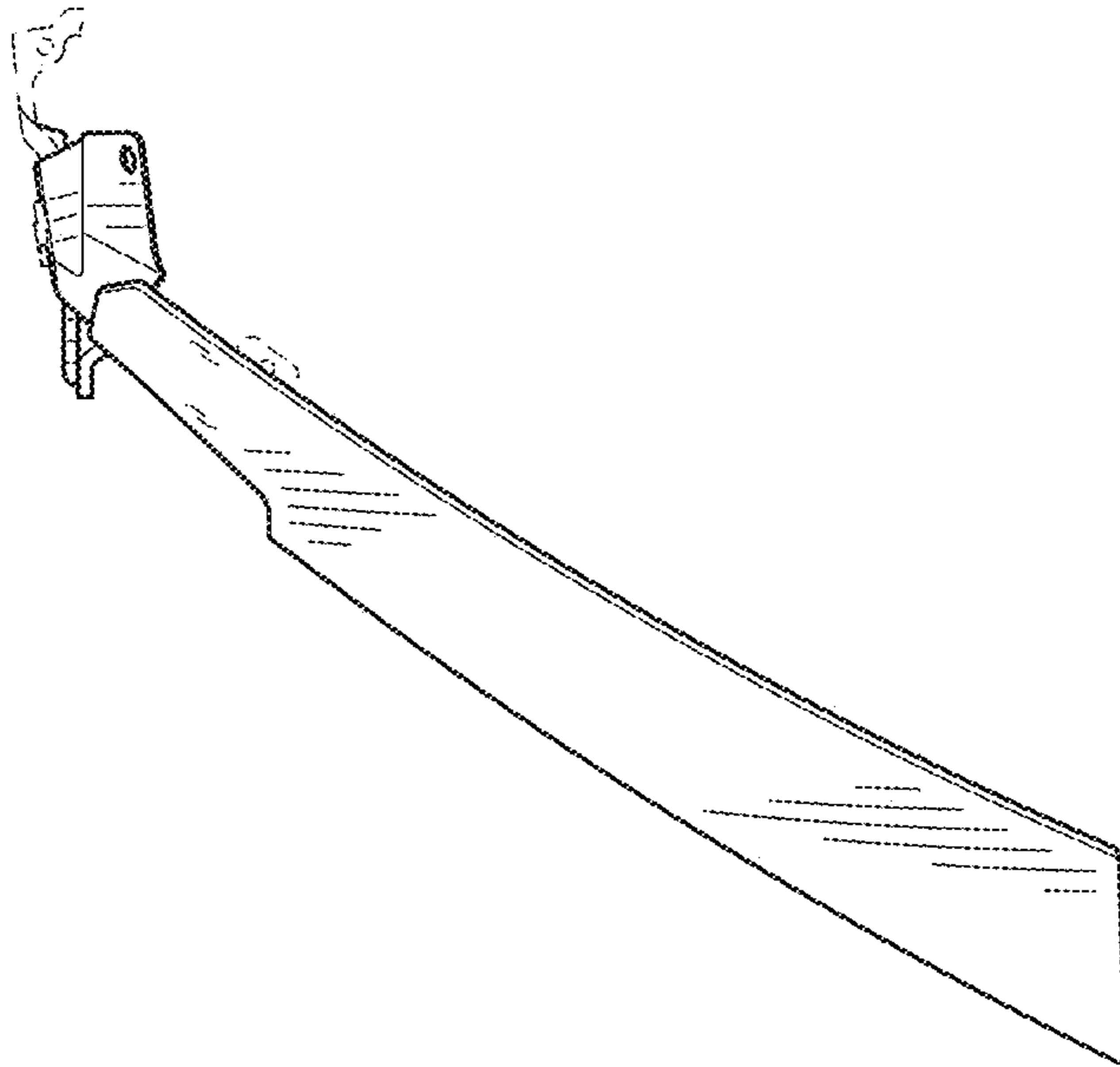


FIG. 4

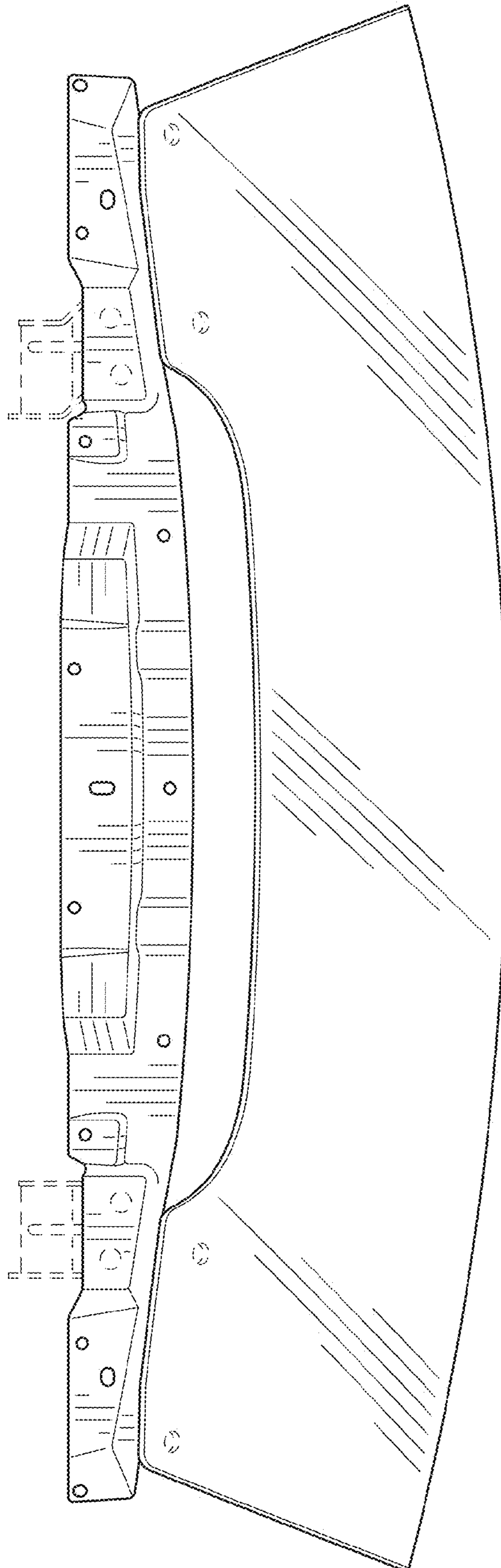


FIG. 5

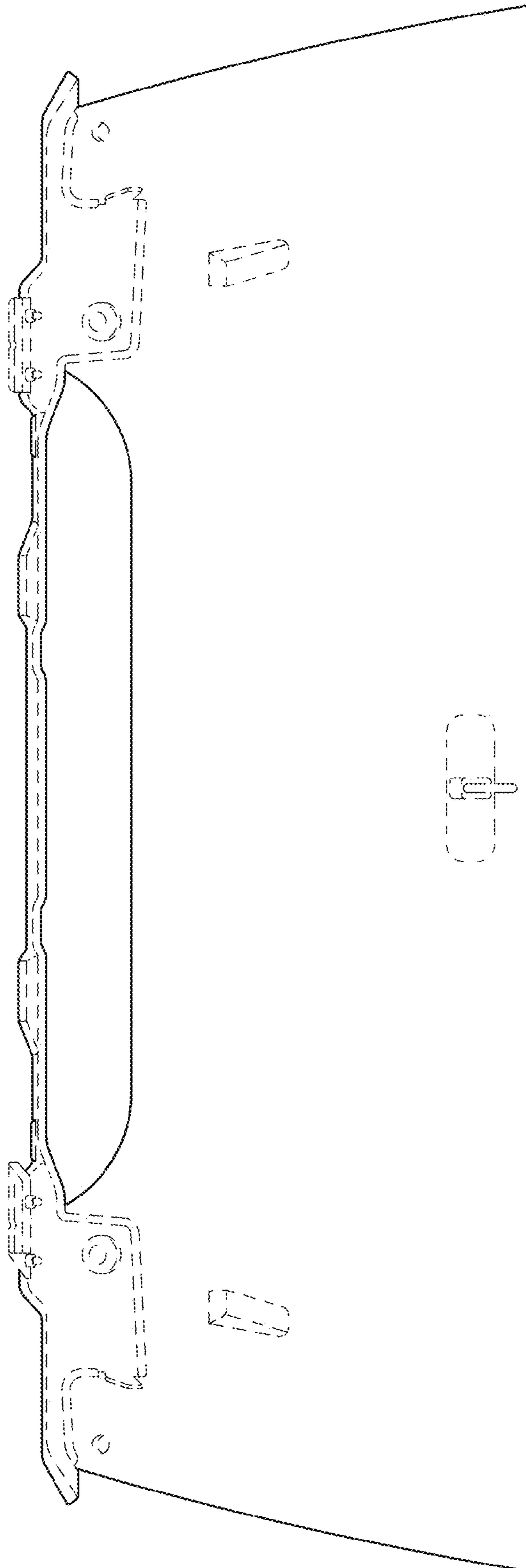


FIG. 6

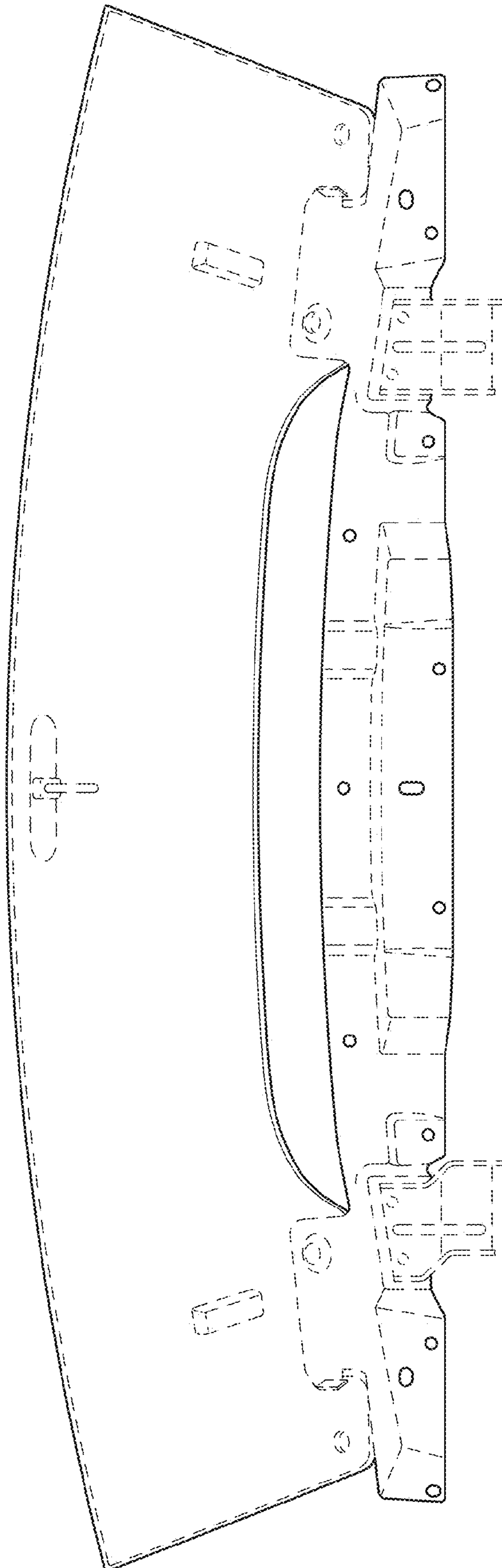


FIG. 7