



US00D965482S

(12) **United States Design Patent**
Zhu

(10) **Patent No.:** **US D965,482 S**

(45) **Date of Patent:** **** Oct. 4, 2022**

- (54) **VEHICLE GRILLE**
- (71) Applicant: **Shuhua Zhu**, Jiangsu (CN)
- (72) Inventor: **Shuhua Zhu**, Jiangsu (CN)
- (**) Term: **15 Years**
- (21) Appl. No.: **29/841,345**
- (22) Filed: **Jun. 6, 2022**
- (51) **LOC (13) Cl.** **12-16**
- (52) **U.S. Cl.**
USPC **D12/163**
- (58) **Field of Classification Search**
USPC D12/82, 85, 86, 87, 88, 89, 90, 91, 92,
D12/93, 96, 97, 98, 99, 163, 164, 165,
D12/166, 167, 169, 170, 171, 172, 173,
D12/181, 190, 196, 216, 400; D21/533,
D21/548, 552, 561
CPC B60R 19/00; B60R 19/02; B60R 19/04;
B60R 19/18; B60R 19/24; B60R 19/26;
B60R 19/52; B60R 19/56; B60R
2019/525; B60R 2019/527; B60K 11/08;
B60K 11/085; B62D 25/08
See application file for complete search history.

D907,539 S *	1/2021	Kirsch	D12/163
D907,540 S *	1/2021	Kirsch	D12/163
D922,271 S *	6/2021	Hamilton	D12/163
D928,671 S *	8/2021	Andoh	D12/163
D929,275 S *	8/2021	Hamilton	D12/163
D929,276 S *	8/2021	Dewitt	D12/163
D939,393 S	12/2021	Jevremovic		

* cited by examiner

Primary Examiner — Cary M Robinson
Assistant Examiner — Adam C Mager

(57) **CLAIM**

The ornamental design for a vehicle grille, as shown and described.

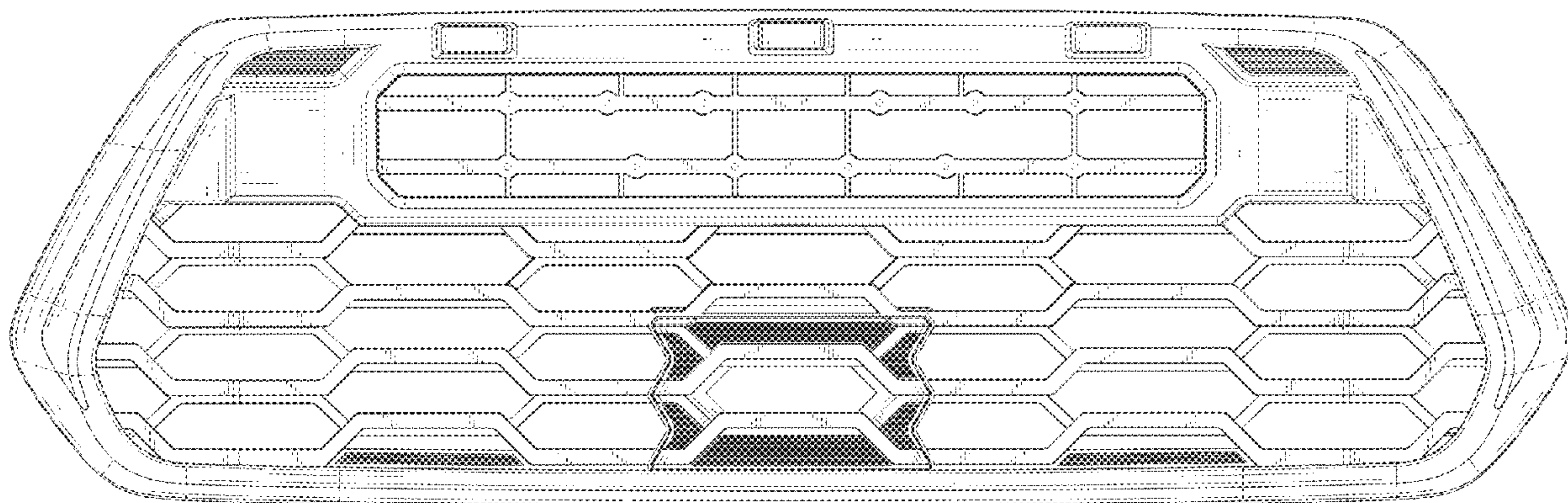
DESCRIPTION

FIG. 1 is a front and top perspective view of a vehicle grille, showing my new design;
 FIG. 2 is a rear and bottom perspective view thereof;
 FIG. 3 is a front elevation view thereof;
 FIG. 4 is a rear elevation view thereof;
 FIG. 5 is a left side elevation view thereof;
 FIG. 6 is a right side elevation view thereof;
 FIG. 7 is a top plan view thereof;
 FIG. 8 is a bottom plan view thereof;
 FIG. 9 is an enlarged view of a portion indicated with numeric 9 in FIG. 1; and,
 FIG. 10 is an enlarged view of a portion indicated with numeric 10 in FIG. 2.

The broken lines in the figures illustrate portions of the vehicle grille that form no part of the claimed design. The dash dot dash lines in FIGS. 1, 2, 9 and 10 are for the purpose of depicting the boundary lines of the enlarged views and form no part of the claimed design.

1 Claim, 10 Drawing Sheets

- (56) **References Cited**
U.S. PATENT DOCUMENTS
- | | | | | |
|--------------|---------|-------------|-------|---------|
| D712,321 S * | 9/2014 | Mays | | D12/171 |
| D828,791 S * | 9/2018 | Jang | | D12/163 |
| D878,255 S * | 3/2020 | Tonello | | D12/163 |
| D879,676 S * | 3/2020 | Tonello | | D12/171 |
| D886,001 S * | 6/2020 | Metros | | D12/163 |
| D891,315 S * | 7/2020 | Metros | | D12/163 |
| D901,339 S * | 11/2020 | Fahr-Becker | | D12/163 |



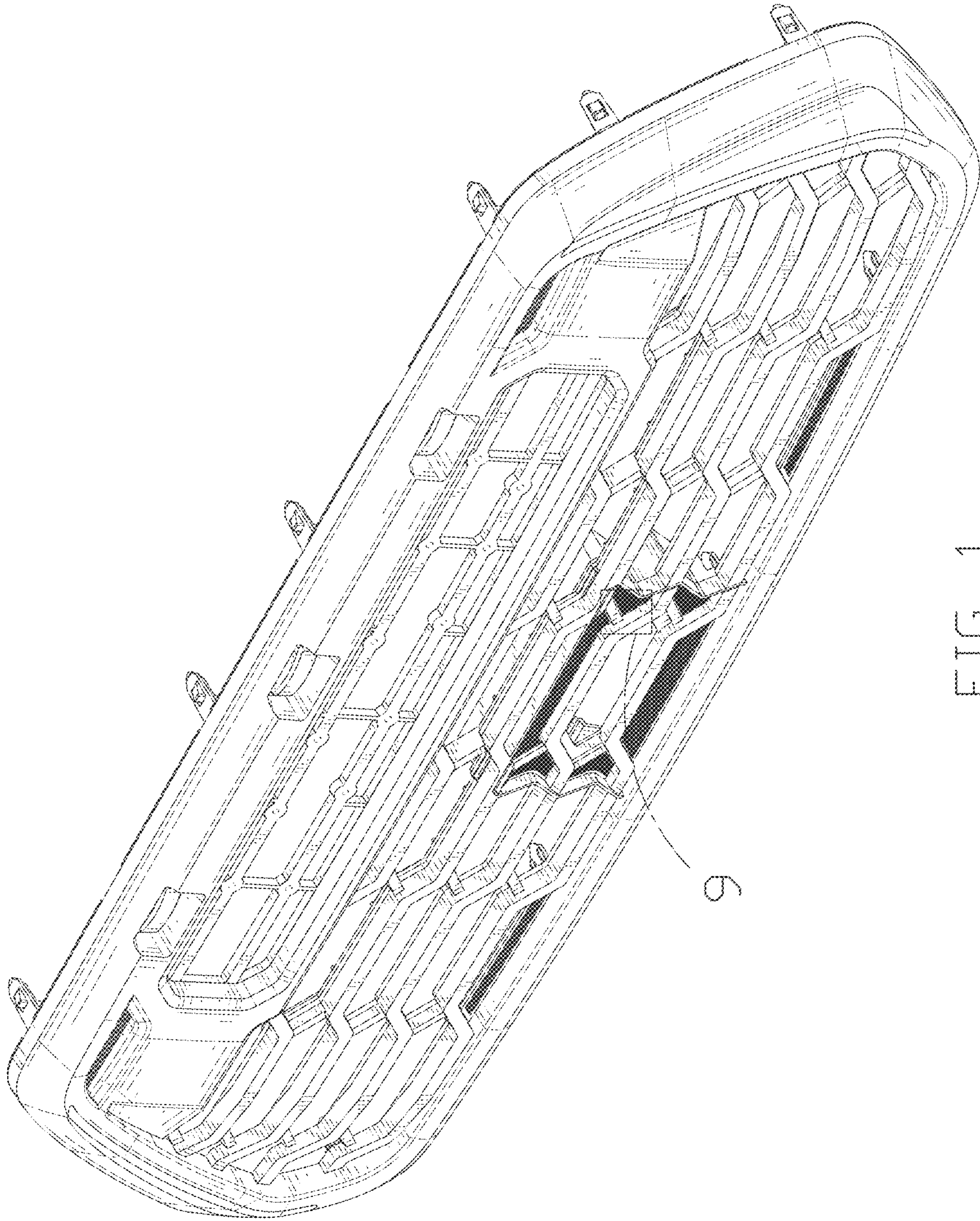


FIG. 1

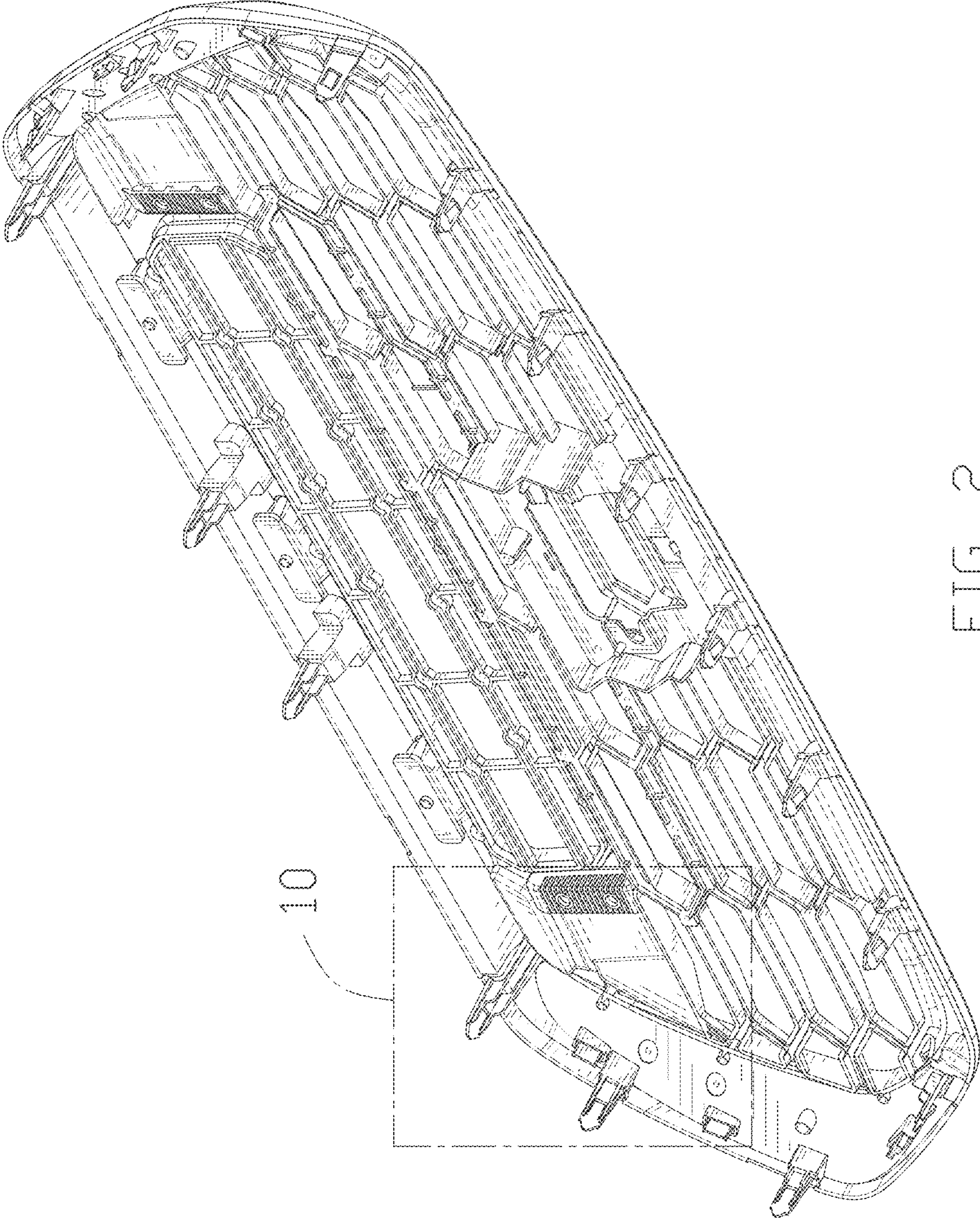


FIG. 2

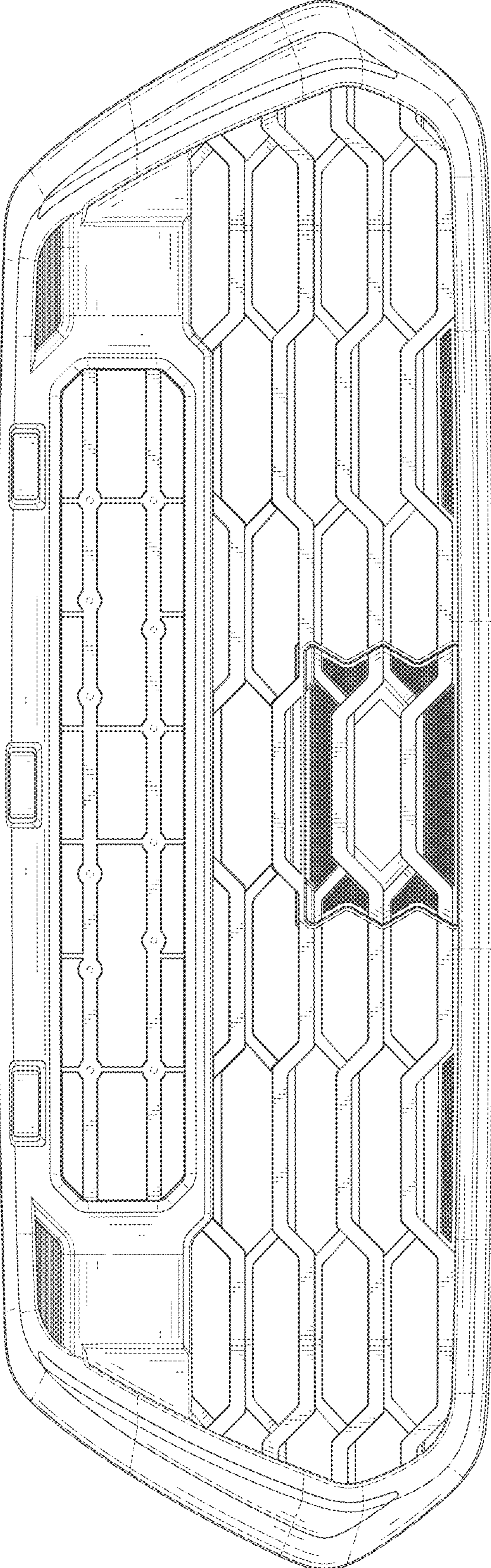


FIG. 3

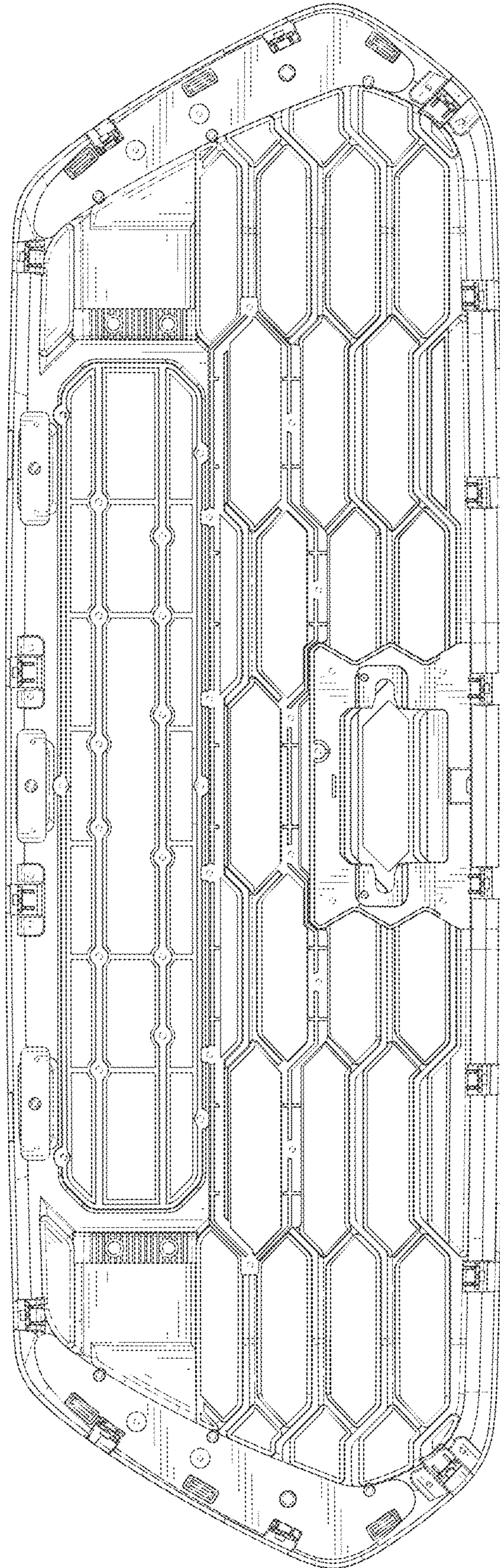


FIG. 4

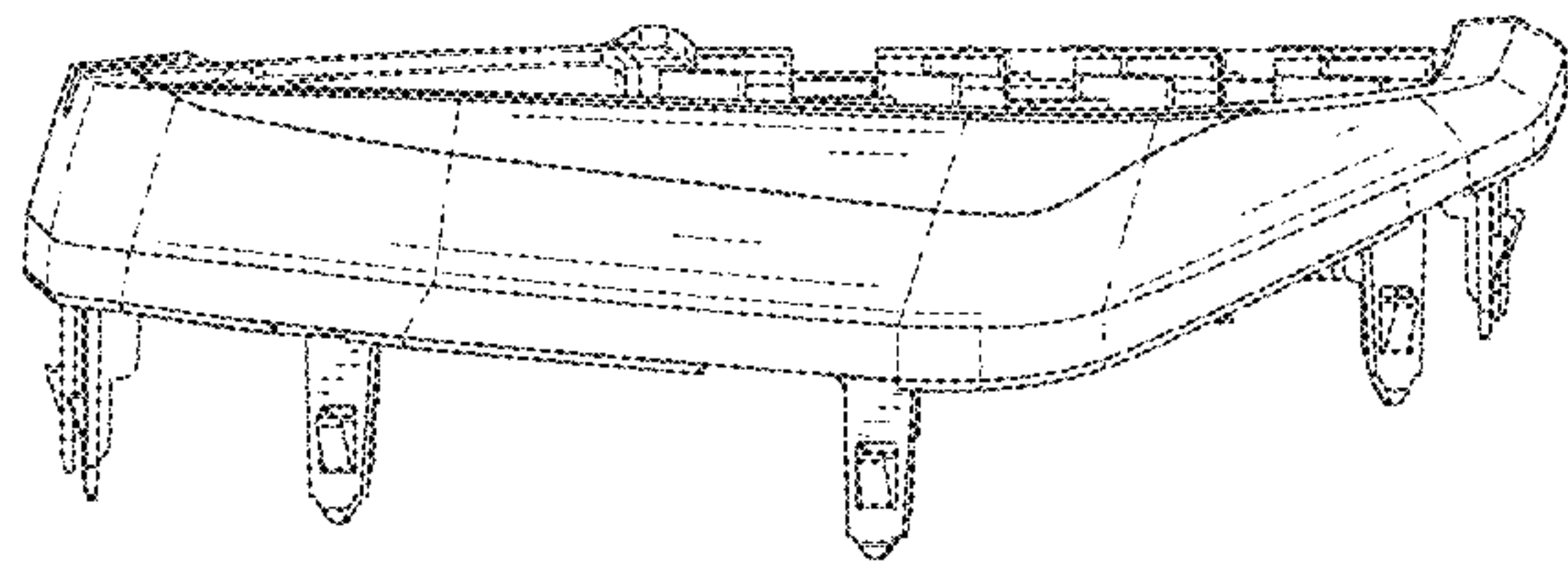


FIG. 5

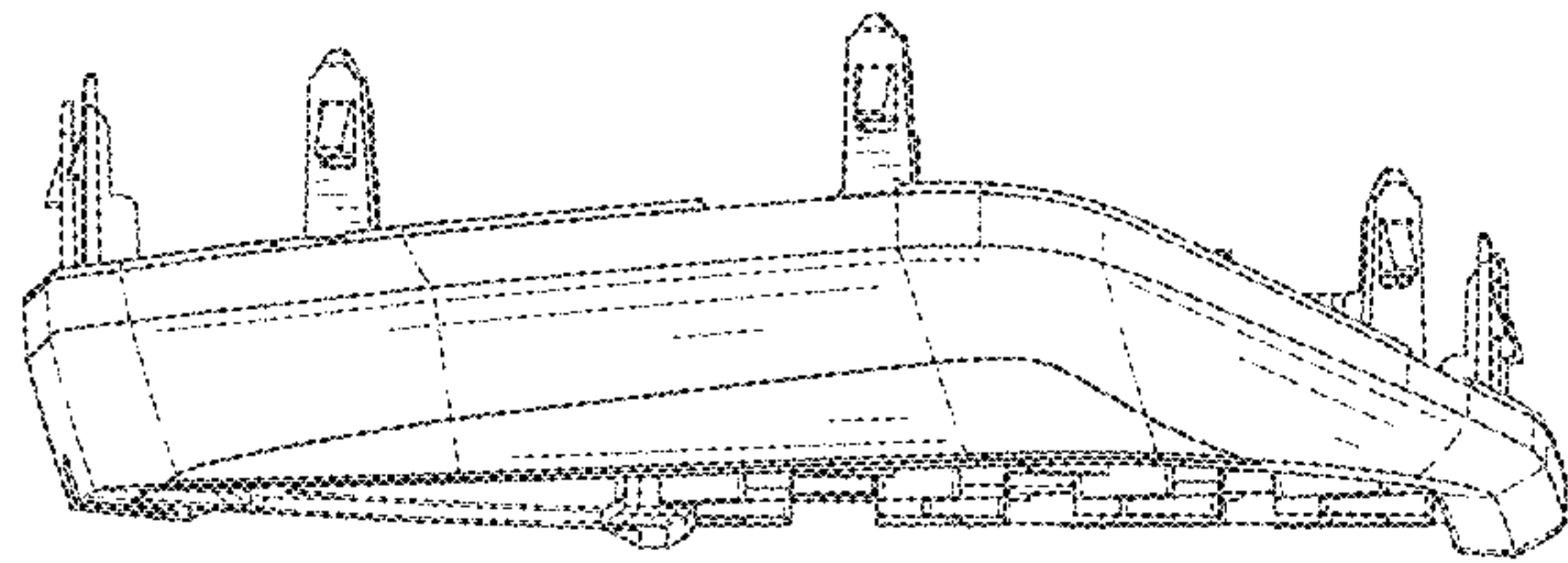


FIG. 6

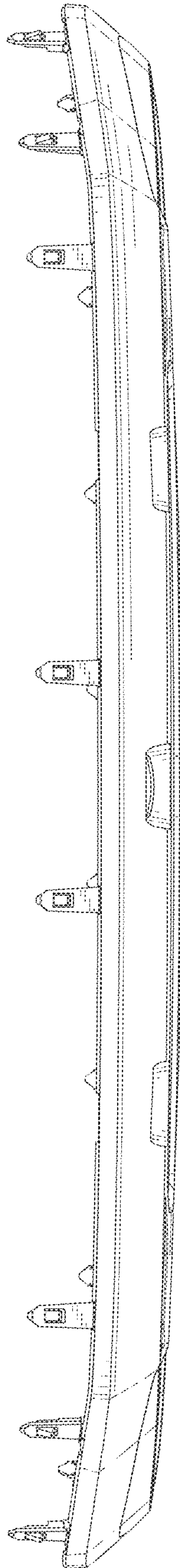


FIG. 7

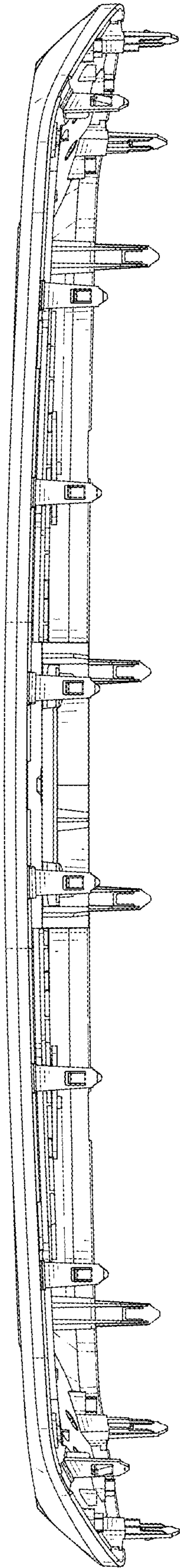


FIG. 8

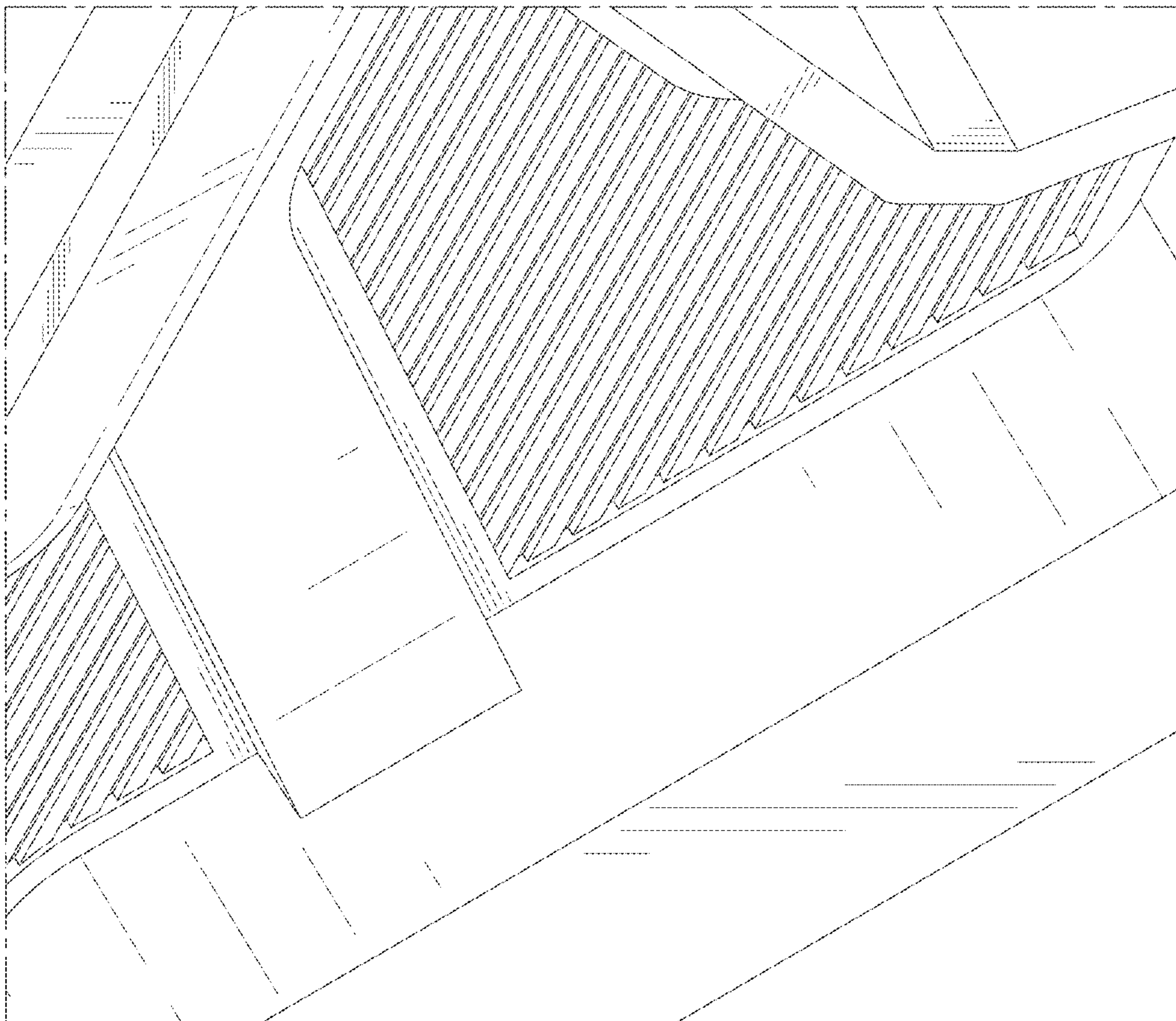


FIG. 9

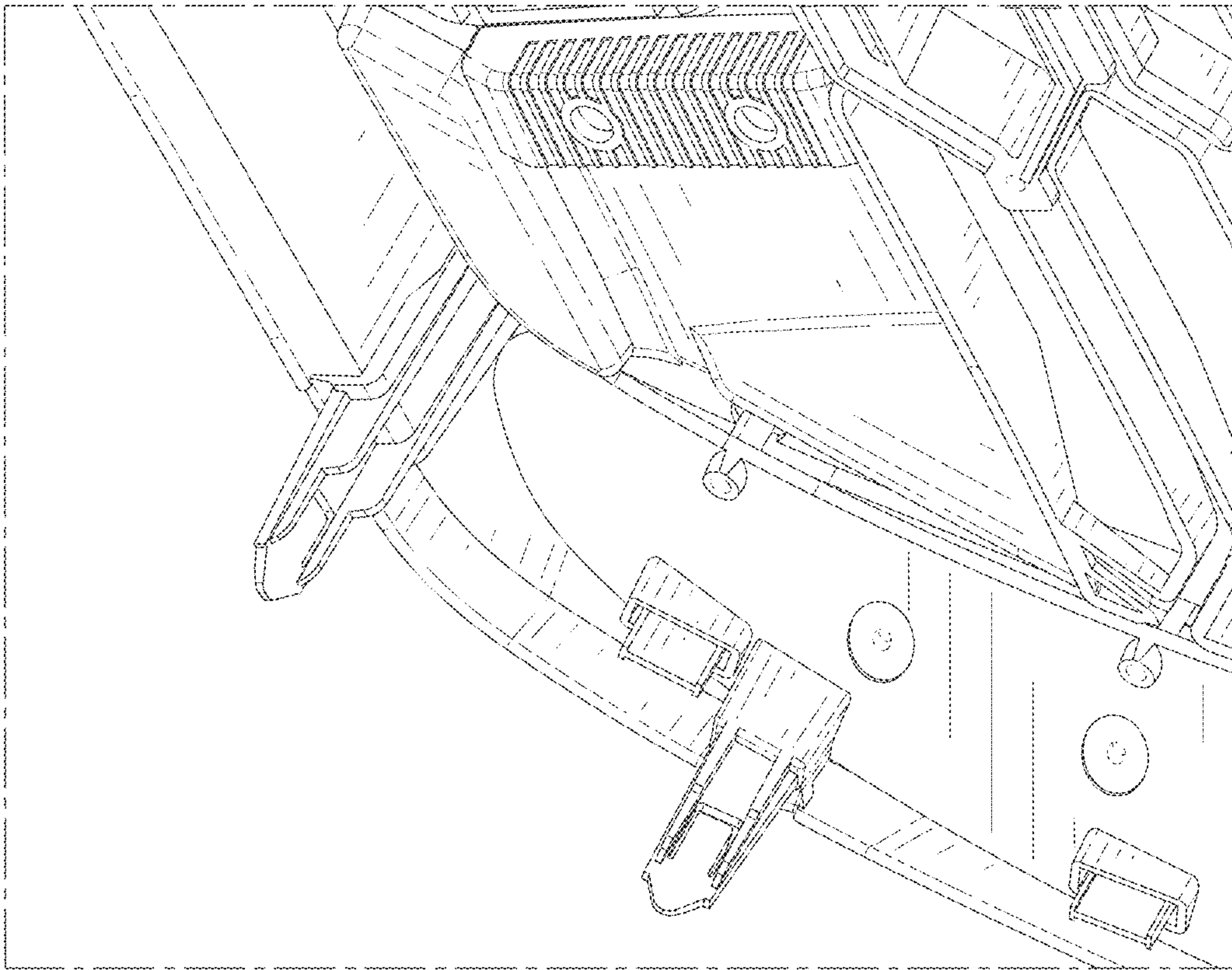


FIG. 10