



US00D965472S

(12) **United States Design Patent**
Cartia et al.

(10) **Patent No.:** **US D965,472 S**

(45) **Date of Patent:** **** Oct. 4, 2022**

- (54) **CAR**
- (71) Applicant: **Vingroup Joint Stock Company**,
Hanoi (VN)
- (72) Inventors: **Giovanni Guglielmo Cartia**, Marentino
(IT); **Dimitri Vicedomini**, Turin (IT);
Nazzareno Epifani, Chieri (IT)
- (73) Assignee: **VINGROUP JOINT STOCK**
COMPANY, Hanoi (VN)

D835,000 S	*	12/2018	Tomasson	D12/91
D847,026 S	*	4/2019	Lips	D12/91
D911,222 S	*	2/2021	Jung	D12/91
D914,544 S	*	3/2021	Sheffield	D12/91
D929,902 S	*	9/2021	Billes	D12/91
D932,942 S	*	10/2021	Ishii	D12/91
D934,117 S	*	10/2021	Presciutti	D12/91

* cited by examiner

Primary Examiner — Melody N Brown

(74) *Attorney, Agent, or Firm* — Ladas & Parry, LLP

(**) Term: **15 Years**

(21) Appl. No.: **29/766,471**

(22) Filed: **Jan. 15, 2021**

(30) **Foreign Application Priority Data**

Jul. 17, 2020 (VN) 3-2020-01644

(51) **LOC (13) Cl.** **12-08**

(52) **U.S. Cl.**
USPC **D12/91**

(58) **Field of Classification Search**
USPC D12/86, 90-92, 88, 164; D21/424, 433,
D21/434, 533; 296/181.1-181.5, 183.1
CPC B62D 25/00; B62D 25/06; B62D 33/00;
B62D 35/00
See application file for complete search history.

(56) **References Cited**

U.S. PATENT DOCUMENTS

D726,591 S	*	4/2015	Jacob	D12/91
D732,428 S	*	6/2015	Nanba	D12/91

(57) **CLAIM**

We claim the ornamental design for a car, as shown and described.

DESCRIPTION

The patent or application file contains at least one drawing executed in color. Copies of this patent or patent application publication with color drawing(s) will be provided by the Office upon request and payment of the necessary fee.

FIG. 1 is a front and right side perspective view of a car showing our new design;

FIG. 2 is a rear and right side perspective view thereof;

FIG. 3 is a front elevational view thereof;

FIG. 4 is a rear elevational view thereof;

FIG. 5 is a right side elevational view thereof;

FIG. 6 is a left side elevational view thereof; and,

FIG. 7 is a top plan view thereof.

1 Claim, 7 Drawing Sheets
(7 of 7 Drawing Sheet(s) Filed in Color)



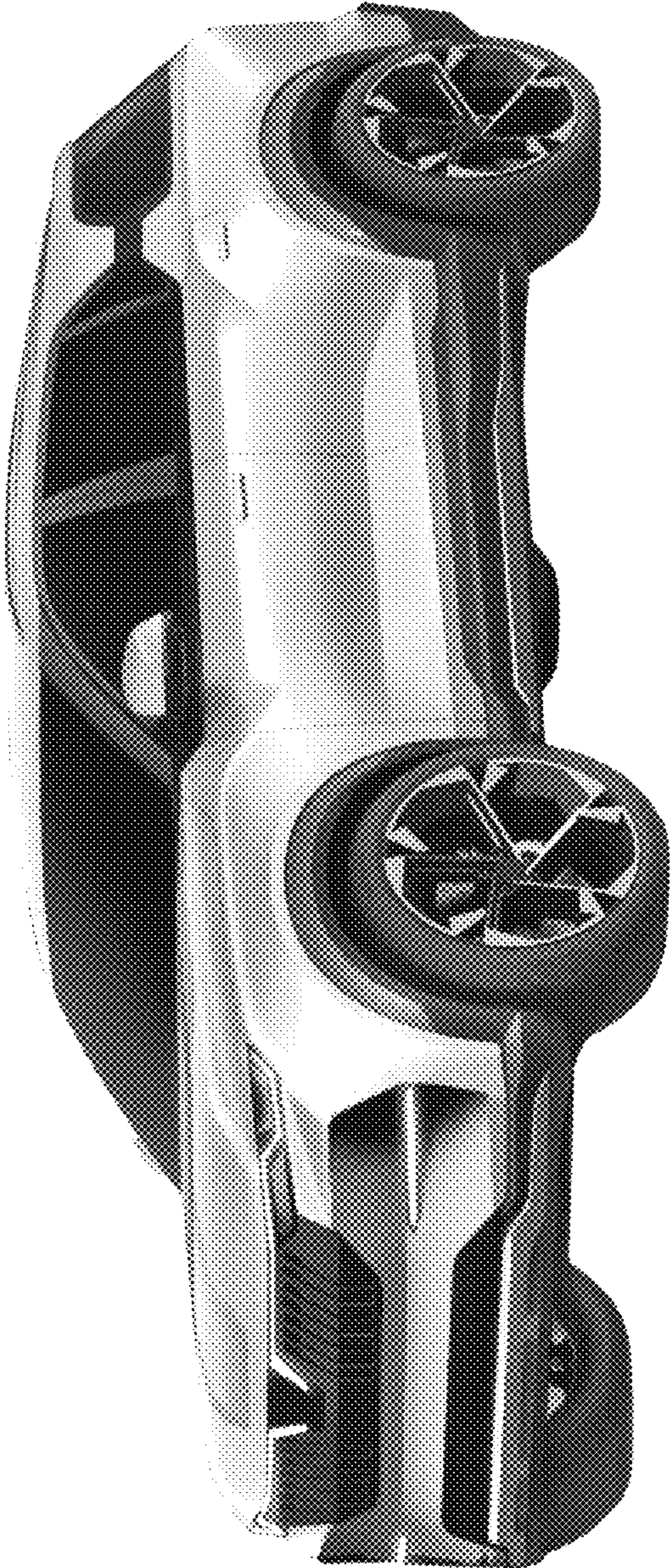


FIG. 1



FIG. 2

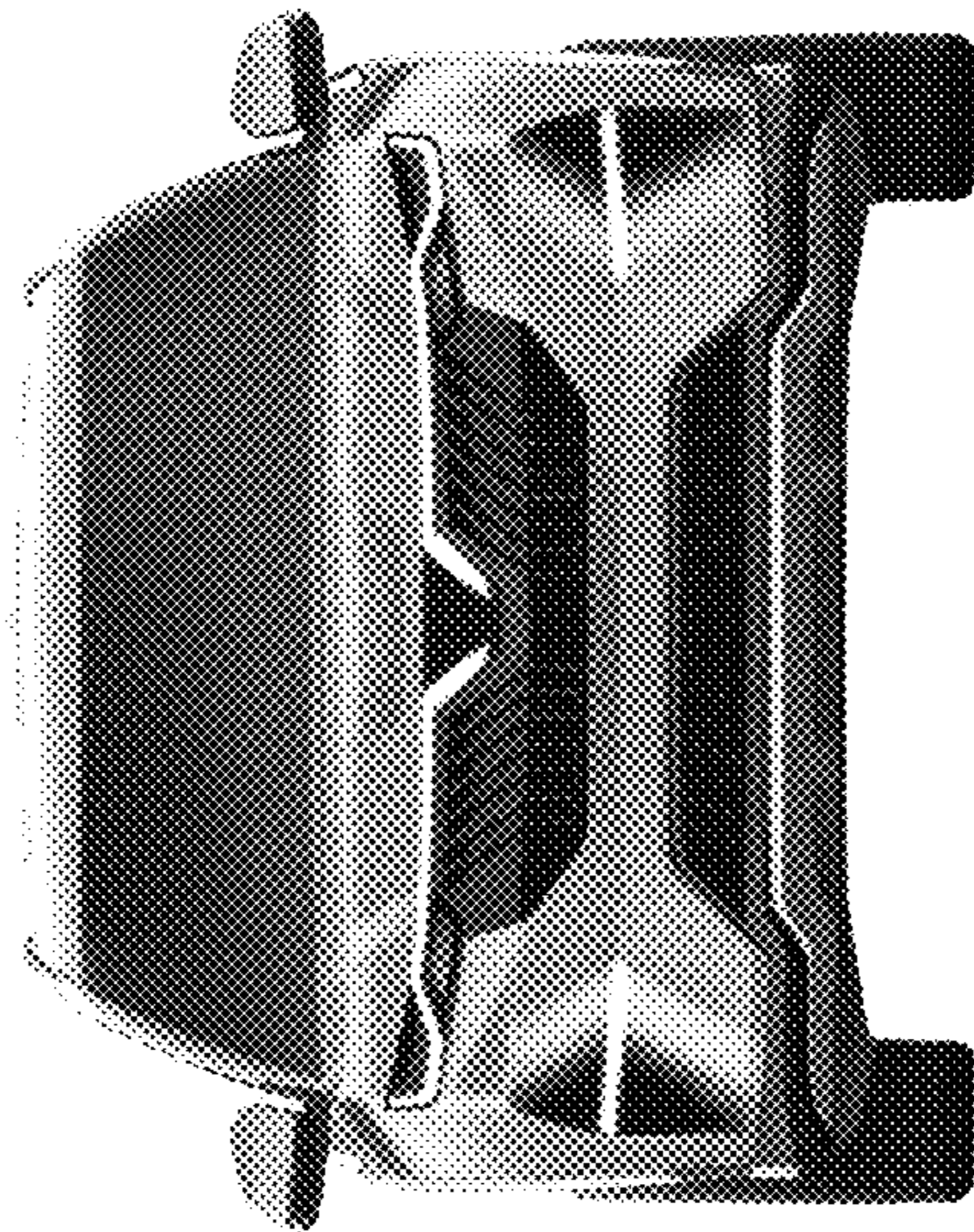


FIG. 3

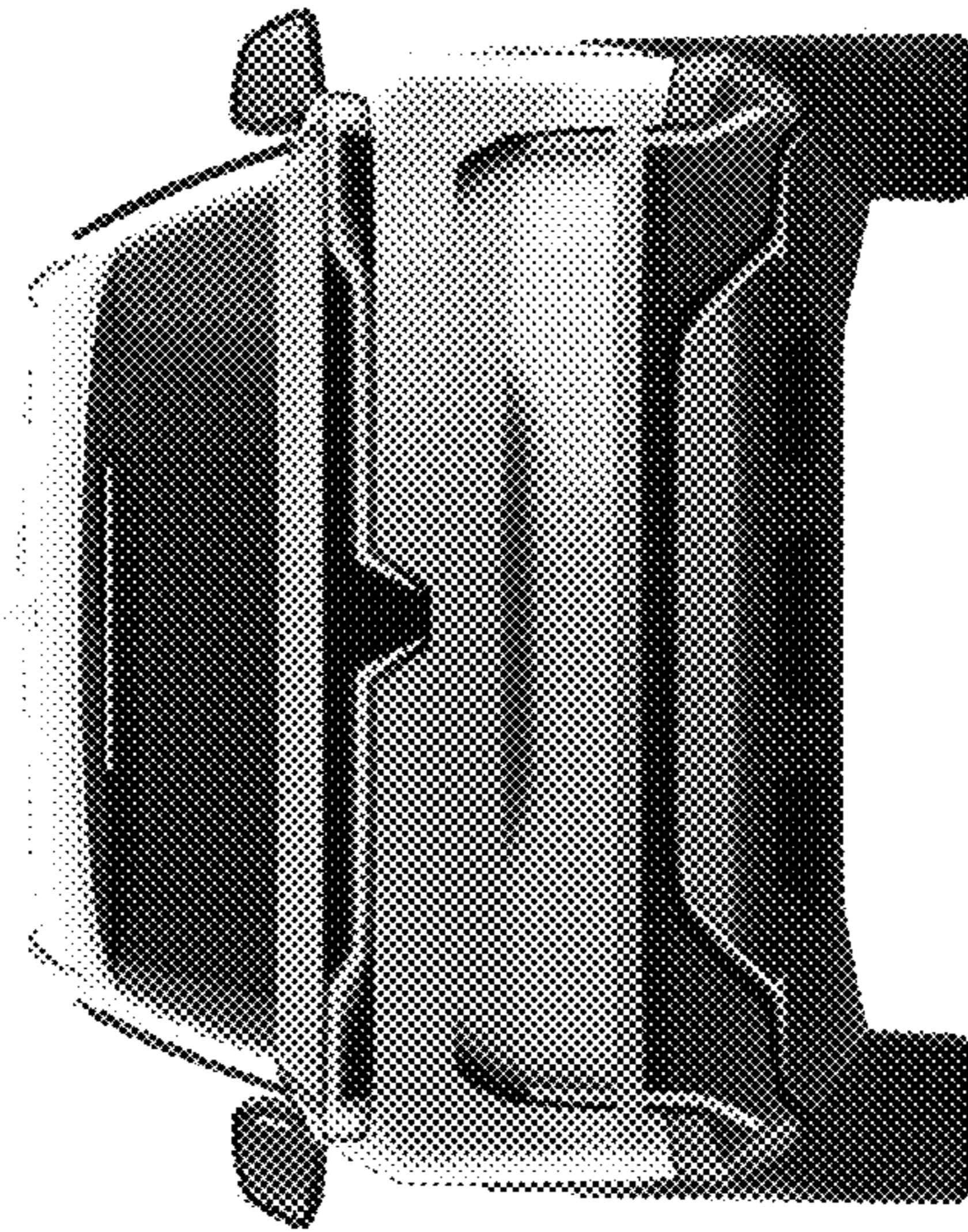


FIG. 4

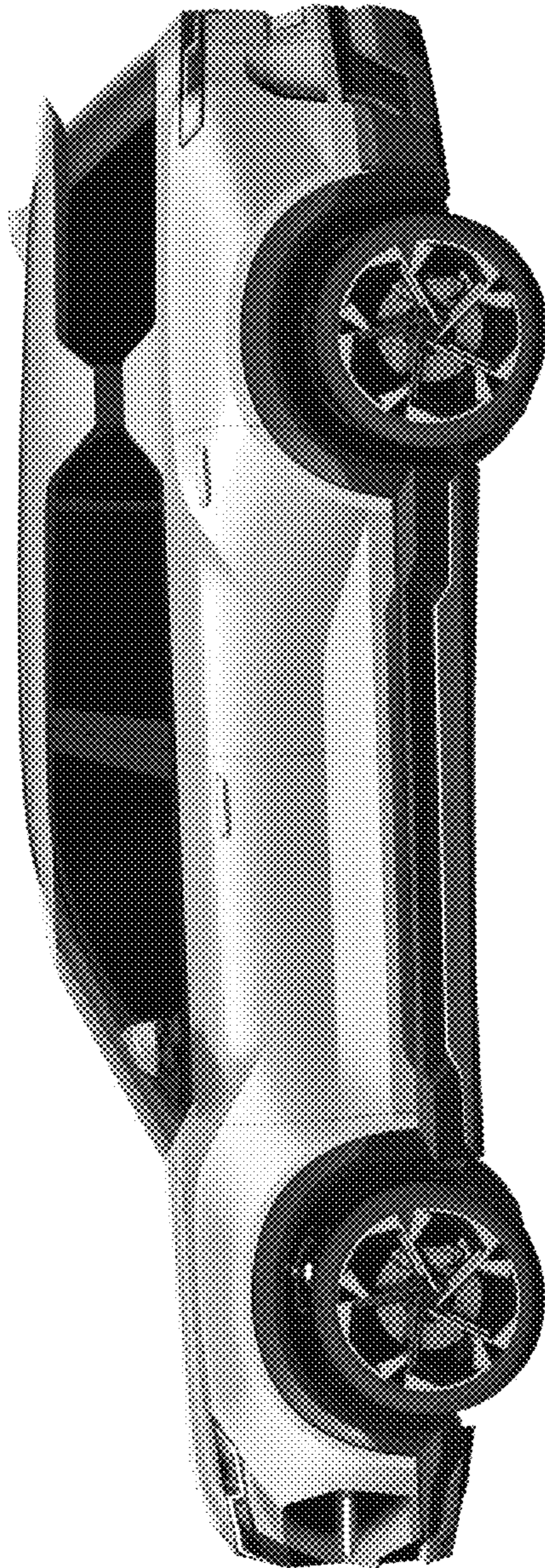


FIG. 5

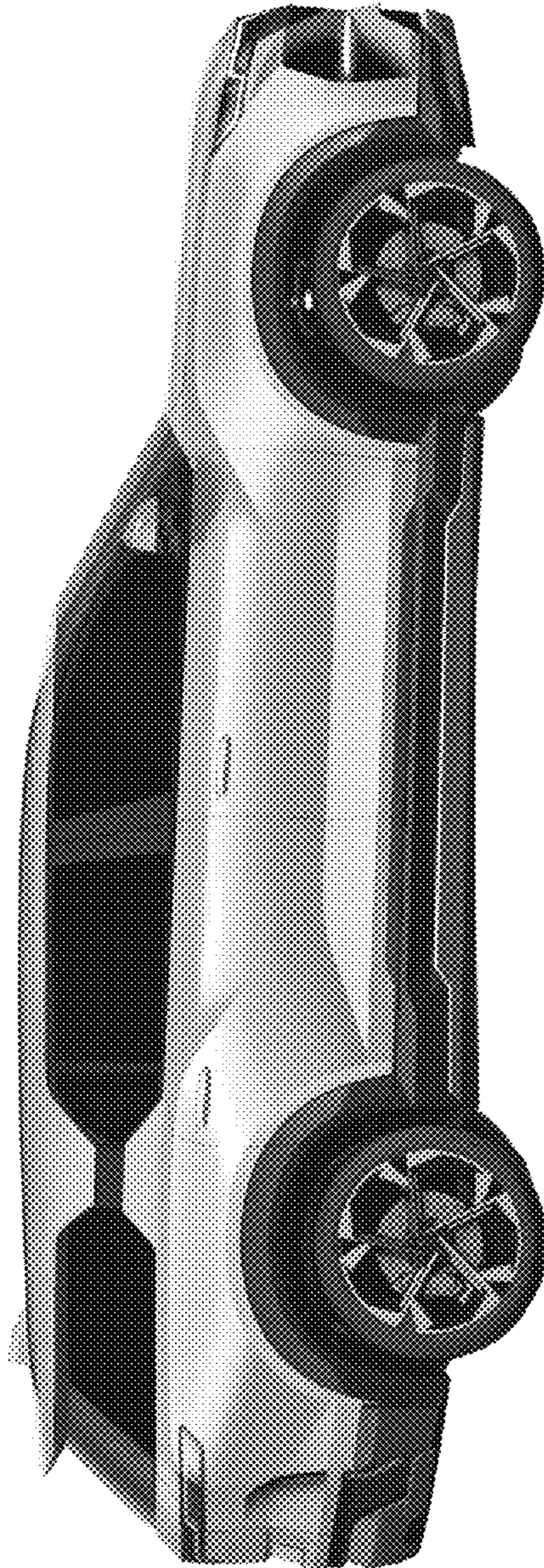


FIG. 6

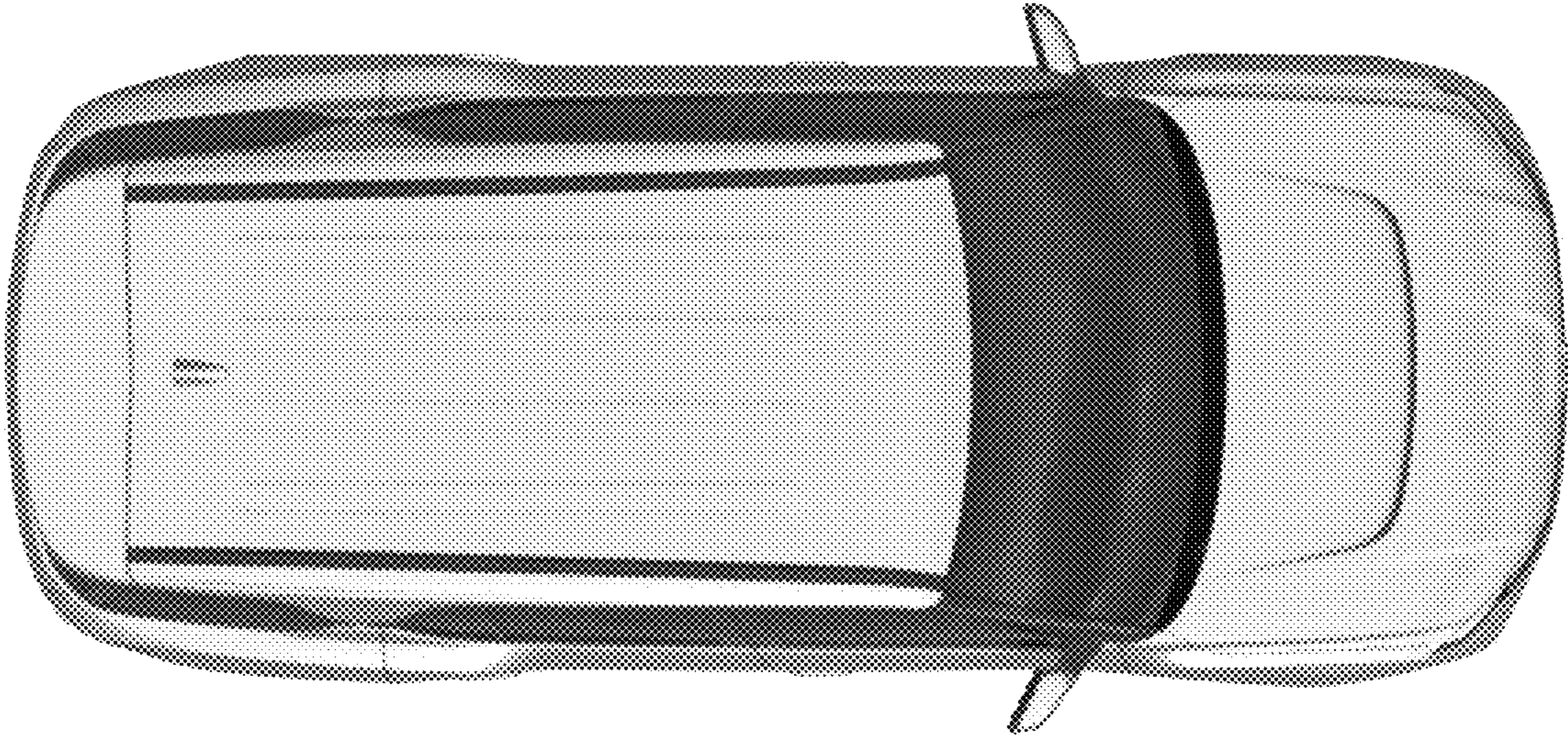


FIG. 7