



US00D965471S

(12) **United States Design Patent**  
**Julian et al.**

(10) **Patent No.:** **US D965,471 S**  
(45) **Date of Patent:** **\*\* Oct. 4, 2022**

(54) **AUTONOMOUS VEHICLE**

(71) Applicant: **Nuro, Inc.**, Mountain View, CA (US)

(72) Inventors: **Benjamin Wade Julian**, San Francisco, CA (US); **Bryan Thompson**, Beverly Hills, CA (US)

(73) Assignee: **NURO, INC.**, Mountain View, CA (US)

(\*\*) Term: **15 Years**

(21) Appl. No.: **29/753,633**

(22) Filed: **Oct. 1, 2020**

(51) **LOC (13) Cl.** ..... **12-08**

(52) **U.S. Cl.**  
USPC ..... **D12/86**

(58) **Field of Classification Search**  
USPC ... D12/1, 14, 82, 84, 85, 86, 87, 88, 89, 90,  
D12/91, 92, 93, 94, 96, 97, 98, 99, 100;  
D21/533, 548, 552, 561

(Continued)

(56) **References Cited**

**U.S. PATENT DOCUMENTS**

D47,911 S 9/1916 Marsh  
D95,718 S 5/1935 Voigt

(Continued)

**FOREIGN PATENT DOCUMENTS**

CN 306092035 S 10/2020  
CN 306235977 S 12/2020  
CN 306358536 S 3/2021

**OTHER PUBLICATIONS**

Nuro Autonomous Delivery Vehicle, Published Jan. 13, 2022 [online], [retrieved on Jul. 10, 2022], Retrieved from the Internet: <https://electrek.co/2022/01/13/nuro-shares-third-generation-autonomous-delivery-vehicle-with-external-airbag-byd-to-help-with-assembly/> (Year: 2022).\*

(Continued)

*Primary Examiner* — Cary M Robinson

*Assistant Examiner* — Adam C Mager

(74) *Attorney, Agent, or Firm* — Edell, Shapiro & Finnan, LLC

(57) **CLAIM**

The ornamental design for an autonomous vehicle, as shown and described.

**DESCRIPTION**

FIG. 1 is a front perspective view of an autonomous vehicle with right side compartment doors, according to a first embodiment;

FIG. 2 is a rear perspective view thereof;

FIG. 3 is a front view of thereof;

FIG. 4 is a rear view thereof;

FIG. 5 is a first side view thereof;

FIG. 6 is a second side view thereof;

FIG. 7 is a top view thereof;

FIG. 8 is a bottom view thereof; and

FIG. 9 is a rear perspective view thereof, with right side compartment doors open;

FIG. 10 is a front perspective view of the autonomous vehicle with the left side compartment doors, according to a second embodiment;

FIG. 11 is a rear perspective view thereof;

FIG. 12 is a front view of thereof;

FIG. 13 is a rear view thereof;

FIG. 14 is a first side view thereof;

FIG. 15 is a second side view thereof;

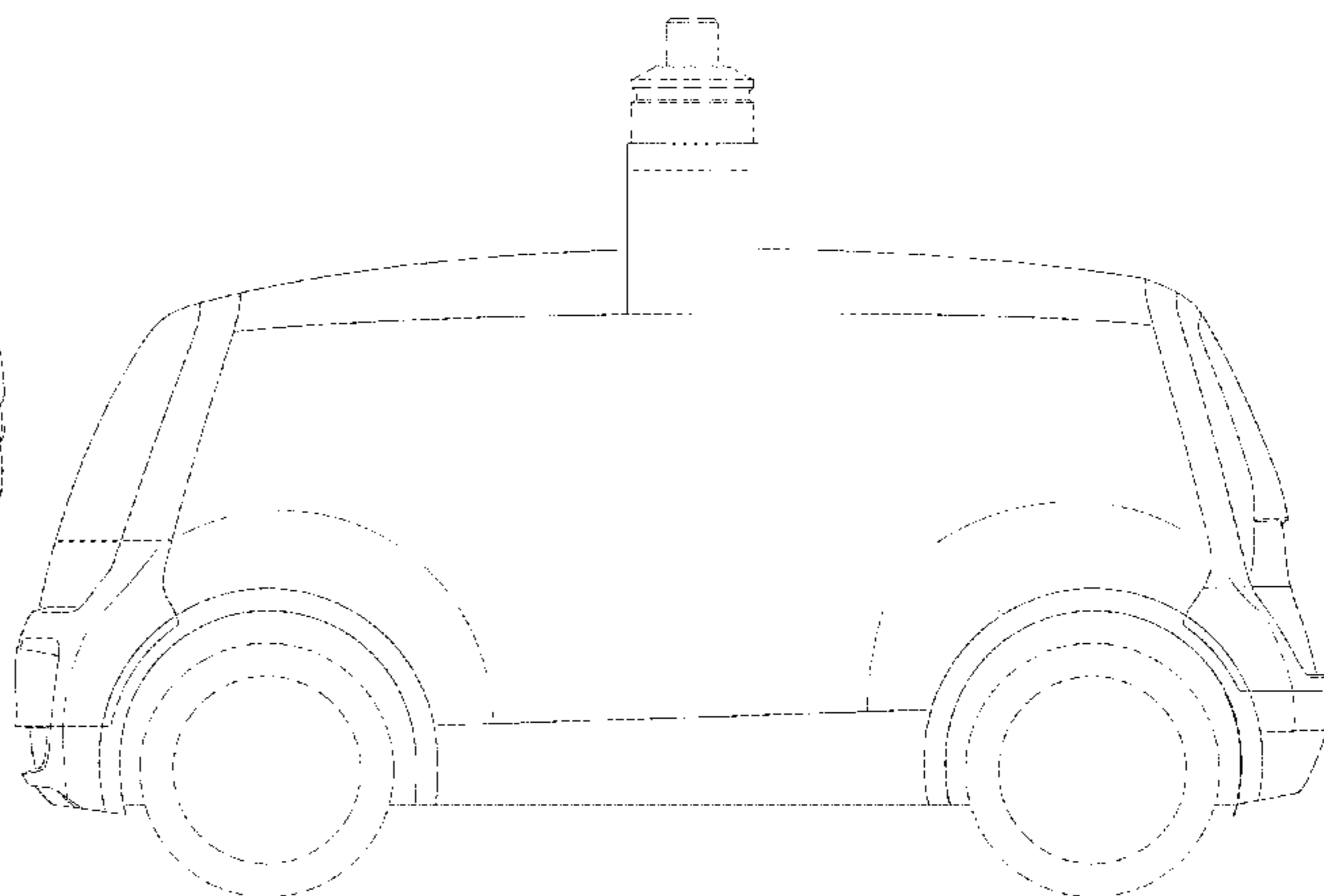
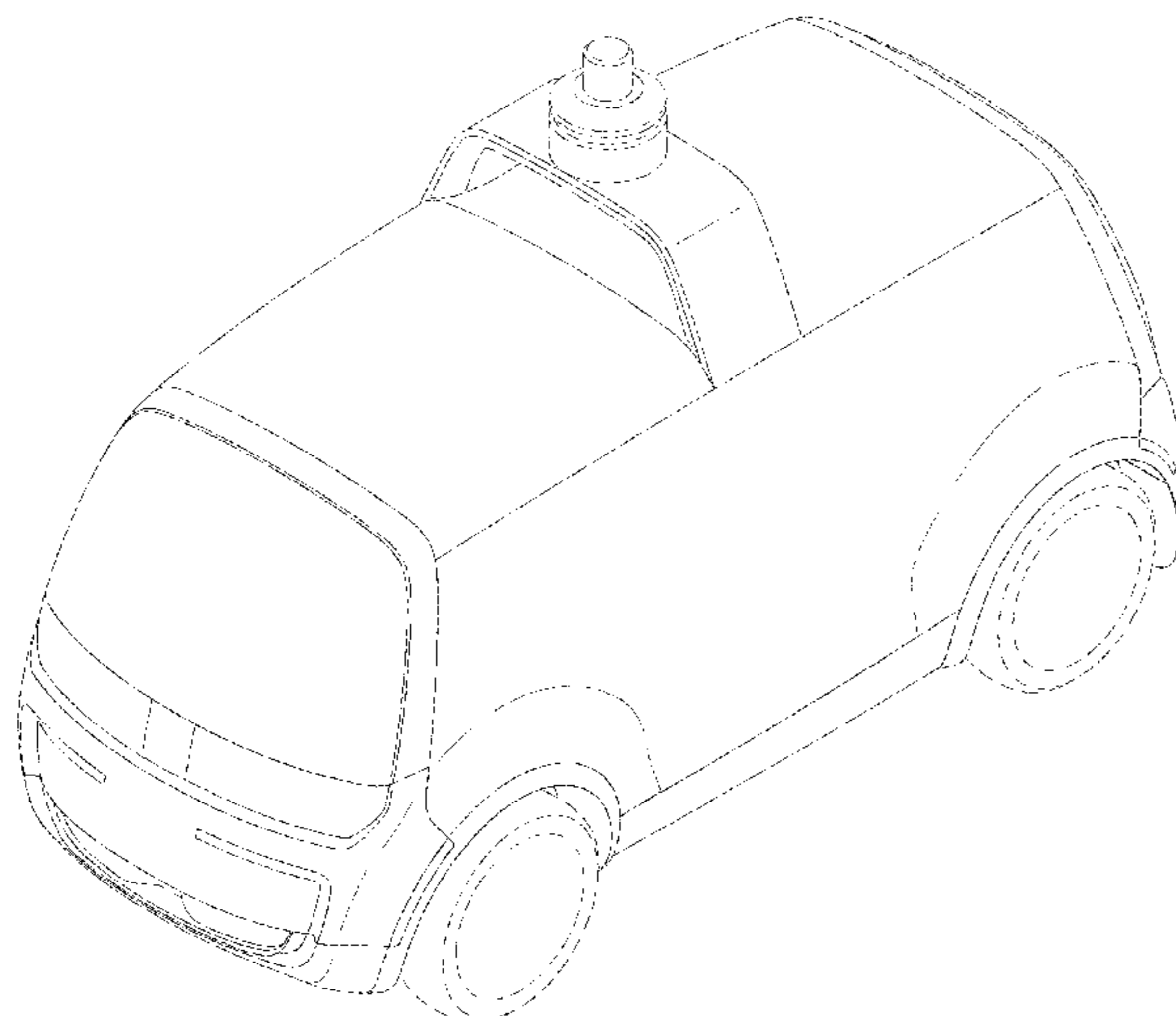
FIG. 16 is a top view thereof;

FIG. 17 is a bottom view thereof; and,

FIG. 18 is a rear perspective thereof, with the left side compartment doors open.

The evenly spaced broken lines in the drawings illustrate portions of the autonomous vehicle in which the design is embodied that form no part of the claimed design. The dot-dash broken lines illustrate the boundary of the design and form no part of the claimed design.

**1 Claim, 16 Drawing Sheets**



(58) **Field of Classification Search**

CPC ..... B60Y 2200/10; B60Y 2200/14; B60Y 2200/22; B60Y 2200/41; B60Y 2200/90; B60Y 2200/91; B60Y 2200/112; B60Y 2200/141; B60Y 2200/142; B60Y 2200/1422; B62D 33/00; B62D 33/06; B62D 33/077; B62D 33/0604; B62D 33/0612; B62D 29/045; B62D 31/00; B62D 31/003; B62D 25/00

See application file for complete search history.

(56)

**References Cited**

U.S. PATENT DOCUMENTS

|               |         |   |
|---------------|---------|---|
| D96,860 S     | 9/1935  | Ryan                                    |
| D118,221 S    | 12/1939 | Stevens                                 |
| 2,190,227 A   | 2/1940  | Best                                    |
| D126,874 S    | 4/1941  | Plumb                                   |
| D133,076 S    | 7/1942  | Gerich                                  |
| 2,390,242 A   | 1/1943  | Dumelin                                 |
| D154,782 S    | 8/1949  | Kiehn                                   |
| 2,638,374 A   | 5/1953  | Willson                                 |
| D172,249 S    | 5/1954  | Rivolta                                 |
| D179,549 S    | 1/1957  | Rivolta                                 |
| D184,733 S *  | 3/1959  | Hofmeister ..... D12/90                 |
| 2,940,416 A * | 6/1960  | Gierke ..... B60Q 1/22<br>116/28 R      |
| 2,967,073 A * | 1/1961  | Gagliardi ..... B60J 7/04<br>296/216.02 |
| 3,352,597 A   | 11/1967 | Barenyi et al.                          |
| D273,098 S    | 3/1984  | Ohhashi                                 |
| D318,031 S    | 7/1991  | Moriarty et al.                         |
| D350,503 S    | 9/1994  | Yang                                    |
| D373,330 S    | 9/1996  | Halajko                                 |
| D378,995 S    | 4/1997  | Lui                                     |
| D389,784 S    | 1/1998  | Ishikawa                                |
| D447,191 S    | 8/2001  | Hoelzel et al.                          |
| D457,468 S    | 5/2002  | Jenkins et al.                          |
| D459,764 S    | 7/2002  | Hoelzel et al.                          |
| D460,930 S    | 7/2002  | Fujita                                  |
| D504,707 S    | 5/2005  | Gieson et al.                           |
| D560,554 S    | 1/2008  | Aubé et al.                             |
| D563,831 S    | 3/2008  | Suge et al.                             |
| D565,464 S    | 4/2008  | Falasca                                 |
| D588,500 S    | 3/2009  | Howell et al.                           |

|                 |         |                           |
|-----------------|---------|---------------------------|
| D615,905 S      | 5/2010  | Arnell                    |
| D626,453 S      | 11/2010 | Arnell                    |
| D671,452 S      | 11/2012 | Fernandez Isoird          |
| D734,211 S      | 7/2015  | Ahn et al.                |
| D755,673 S      | 5/2016  | Ahn et al.                |
| D774,948 S      | 12/2016 | Abbes                     |
| D786,133 S      | 5/2017  | Song et al.               |
| D800,017 S *    | 10/2017 | Sapet ..... D12/86        |
| D805,443 S      | 12/2017 | Coates et al.             |
| D811,268 S      | 2/2018  | Marioni                   |
| D818,880 S      | 5/2018  | Bischoff et al.           |
| D821,265 S *    | 6/2018  | Makela ..... D3/271.12    |
| D832,742 S      | 11/2018 | Fisker                    |
| D835,000 S      | 12/2018 | Tomasson et al.           |
| D836,026 S      | 12/2018 | Renner                    |
| D839,784 S      | 2/2019  | Sugawara et al.           |
| D845,171 S      | 4/2019  | Kang                      |
| D846,446 S      | 4/2019  | Kang                      |
| D847,022 S      | 4/2019  | Kang                      |
| D853,888 S *    | 7/2019  | Waters ..... D12/86       |
| D856,192 S      | 8/2019  | Yamada et al.             |
| D858,356 S      | 9/2019  | Sapet                     |
| D860,862 S      | 9/2019  | Janin                     |
| 10,623,734 B1   | 4/2020  | Shen et al.               |
| D890,027 S *    | 7/2020  | Gronenthal ..... D12/86   |
| D904,930 S      | 12/2020 | Missoni et al.            |
| 10,960,744 B1   | 3/2021  | Earl et al.               |
| D918,771 S *    | 5/2021  | Bouzige ..... D12/86      |
| D924,727 S *    | 7/2021  | Kentley-Klay ..... D12/84 |
| D928,035 S *    | 8/2021  | Bouzige ..... D12/86      |
| D935,350 S *    | 11/2021 | Julian ..... D12/86       |
| D937,119 S *    | 11/2021 | Sandhu ..... D12/86       |
| D941,203 S *    | 1/2022  | Kim ..... D12/186         |
| 2013/0180788 A1 | 7/2013  | Jin et al.                |
| 2016/0207418 A1 | 7/2016  | Bergstrom et al.          |
| 2019/0026886 A1 | 1/2019  | Ferguson et al.           |
| 2019/0035282 A1 | 1/2019  | Ferguson et al.           |
| 2021/0094376 A1 | 4/2021  | Smith                     |
| 2021/0094506 A1 | 4/2021  | Baker et al.              |
| 2021/0094589 A1 | 4/2021  | Sarett et al.             |

OTHER PUBLICATIONS

Nuro Vehicle at Proving Grounds, Published on Jan. 30, 2018 [online], [retrieved on May 14, 2021]. Retrieved from the Internet: <https://www.youtube.com/watch?v=wsI7N7hhZTg&t=53s> (Year: 2018).

\* cited by examiner

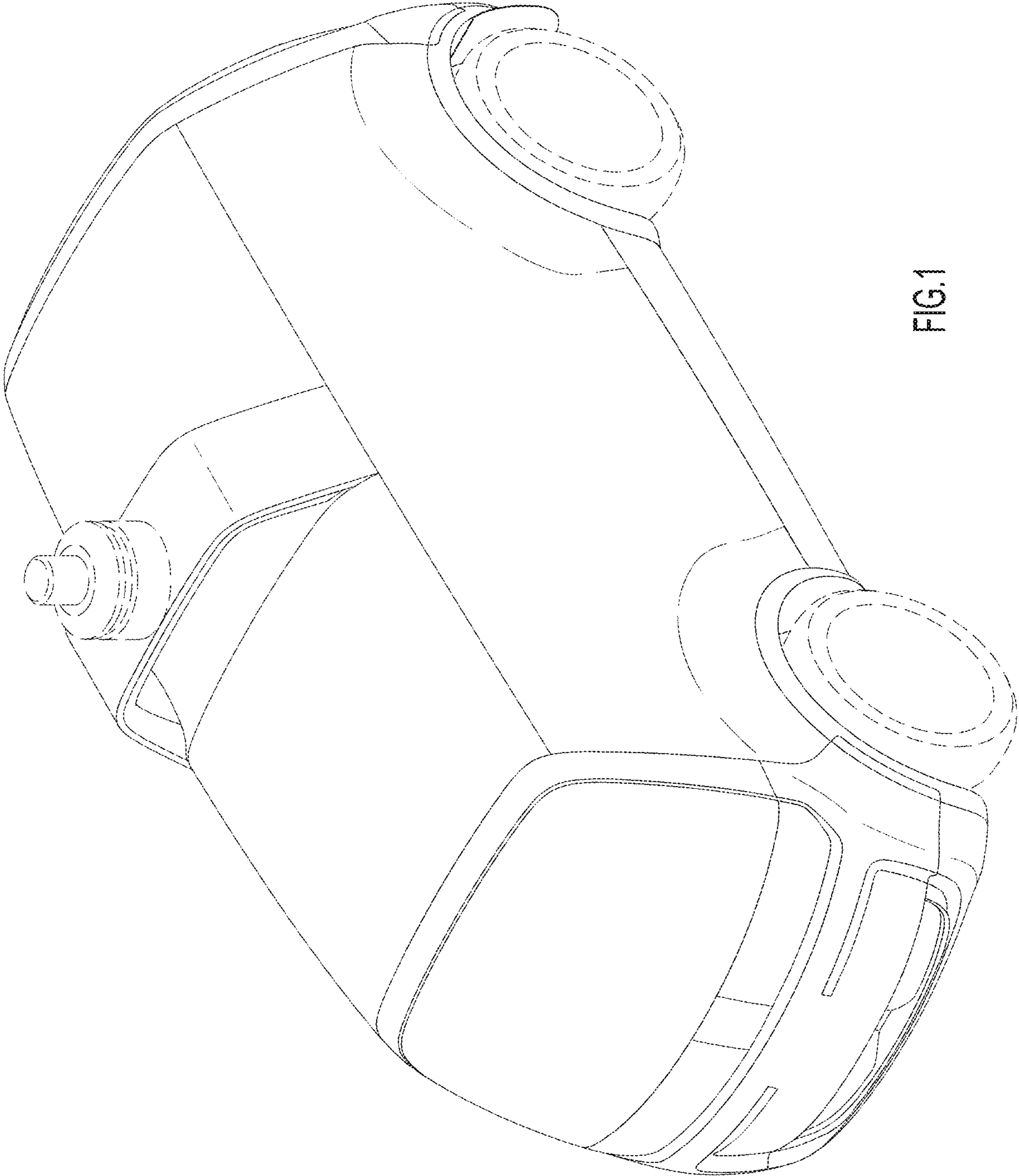


FIG.1

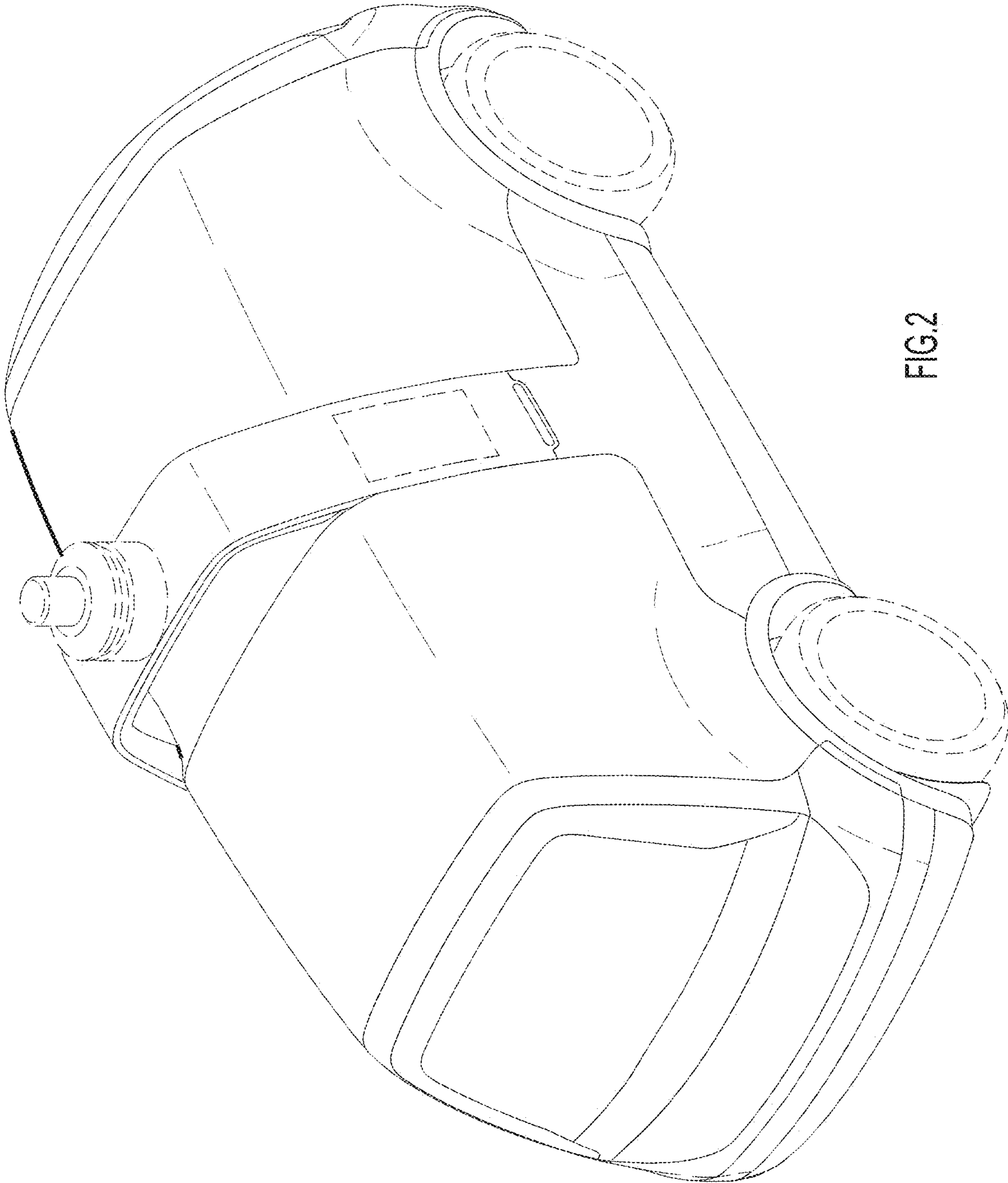


FIG. 2

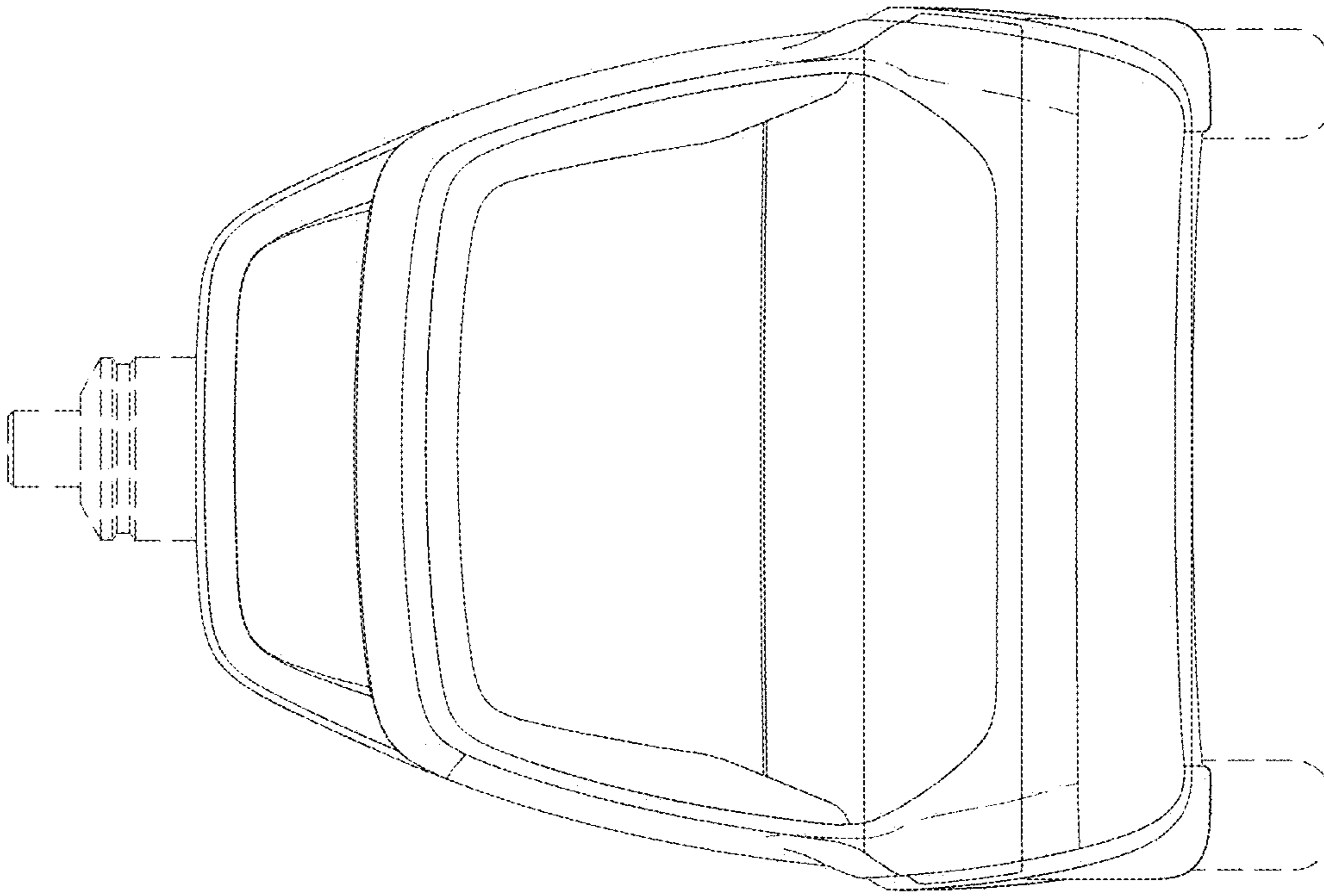


FIG.4

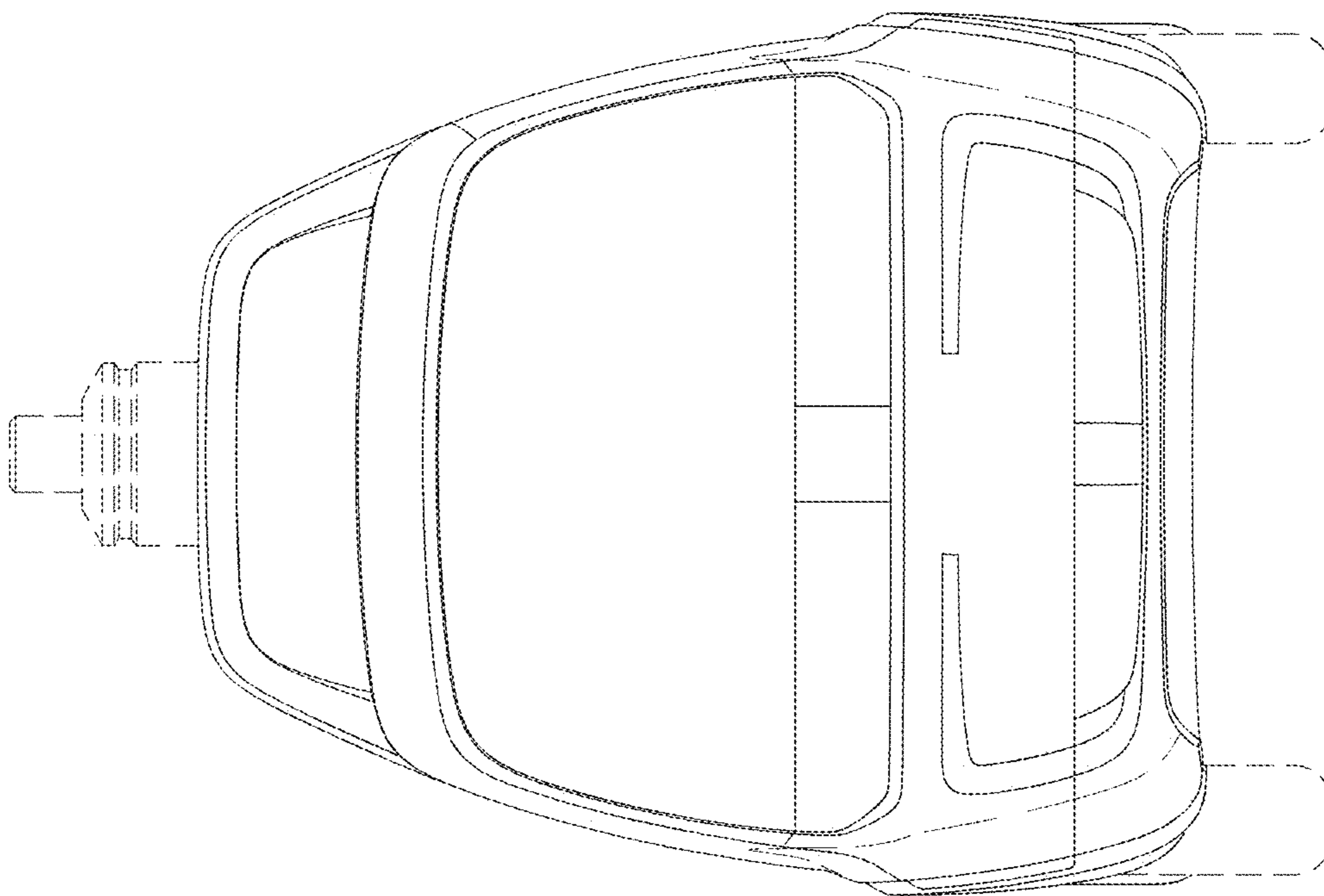


FIG.3

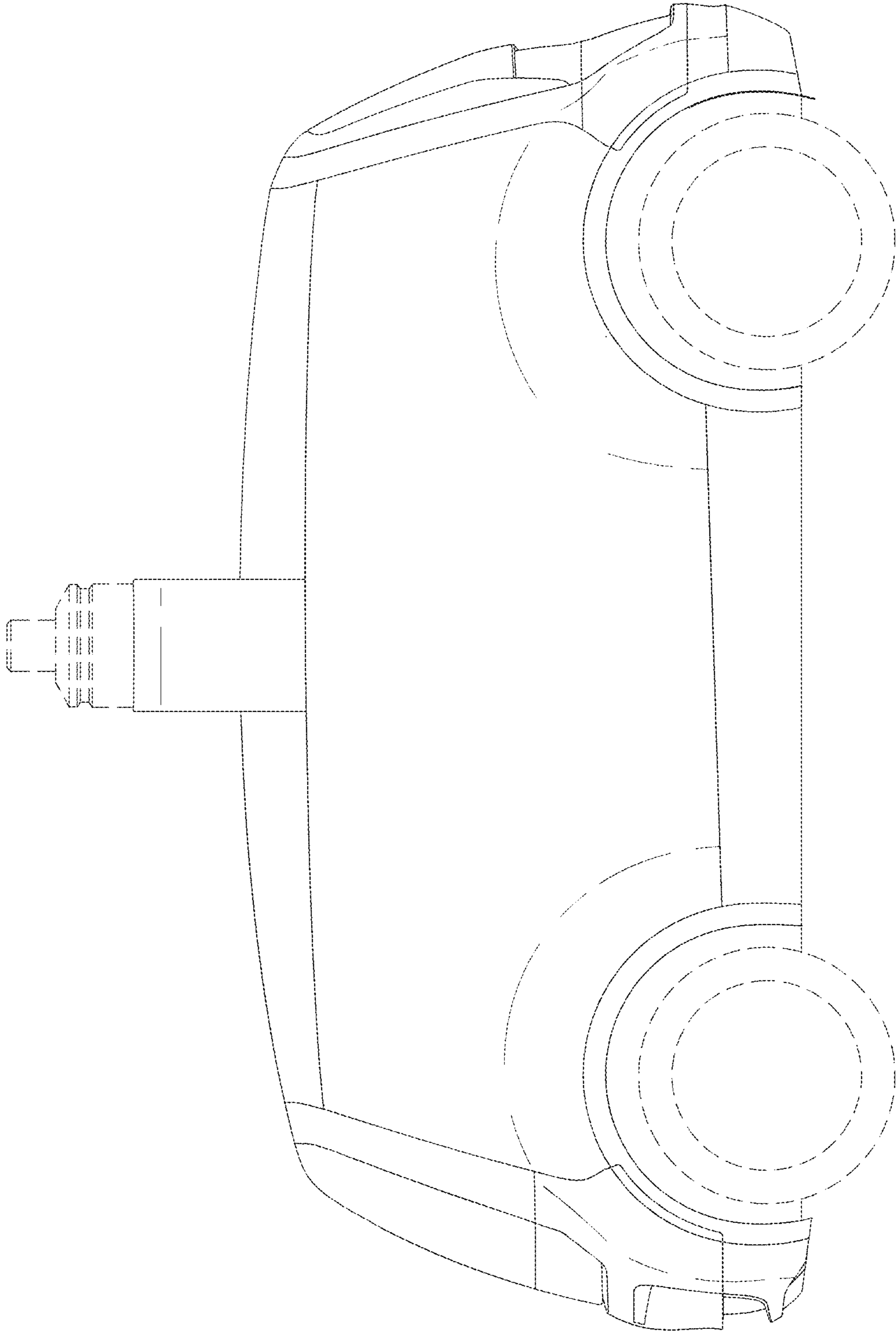


FIG. 5

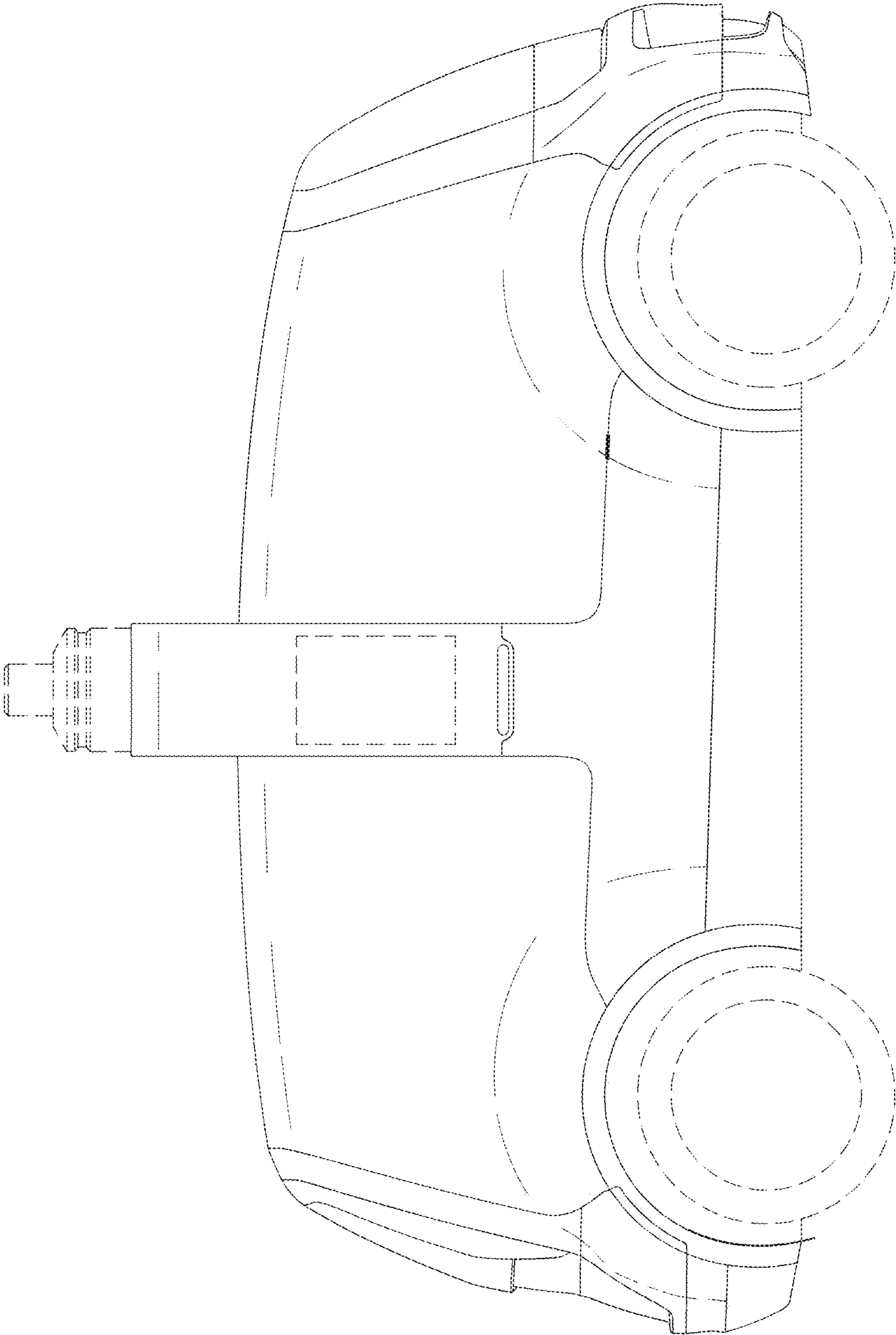


FIG.6

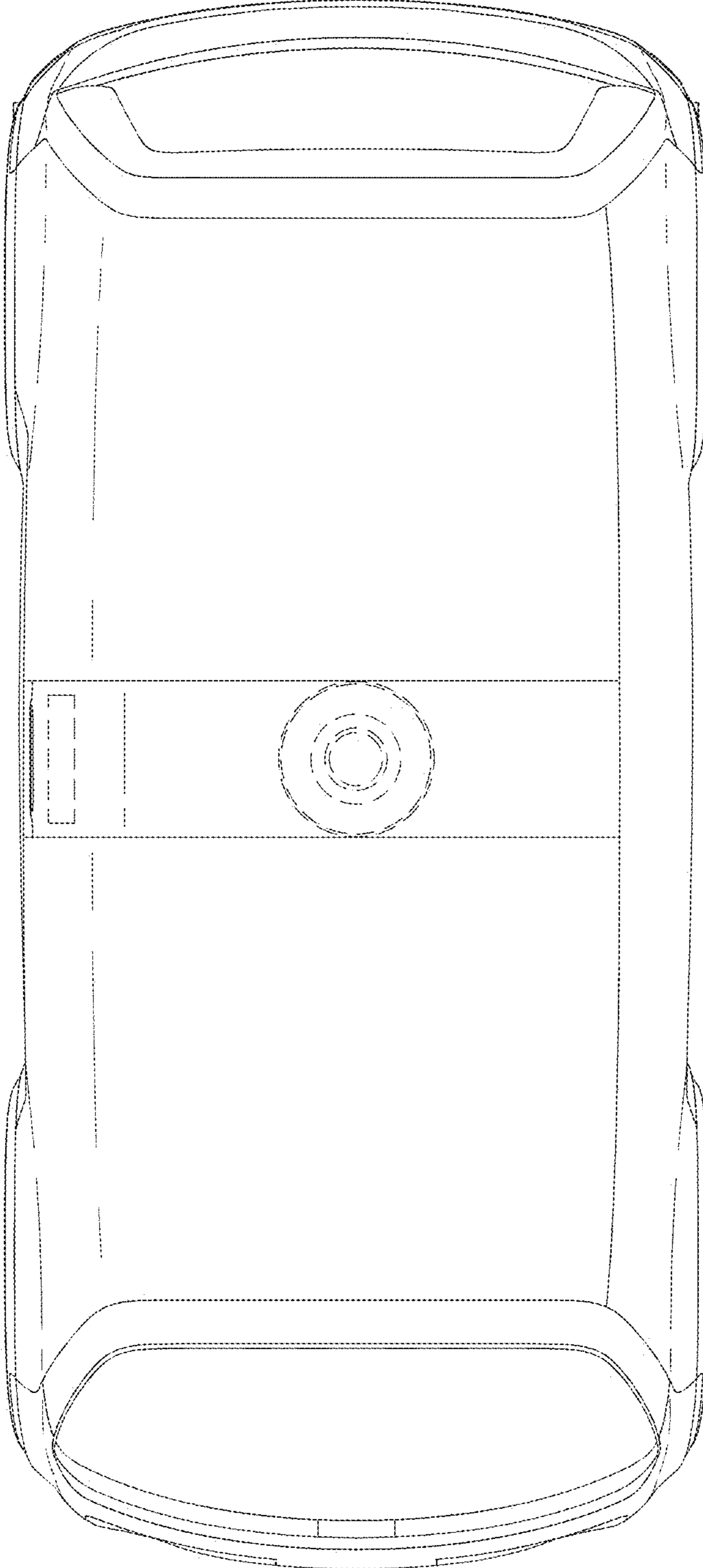


FIG.7



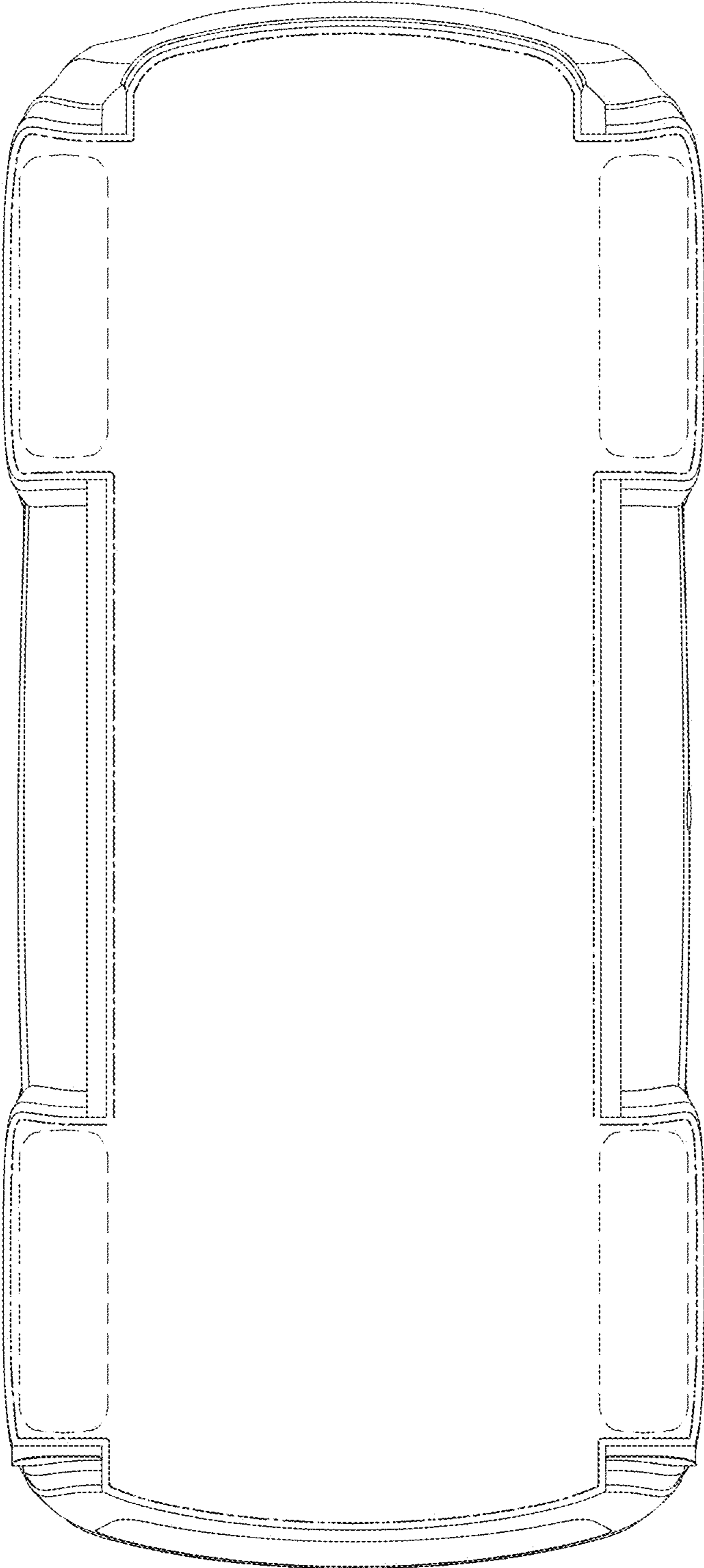


FIG. 8

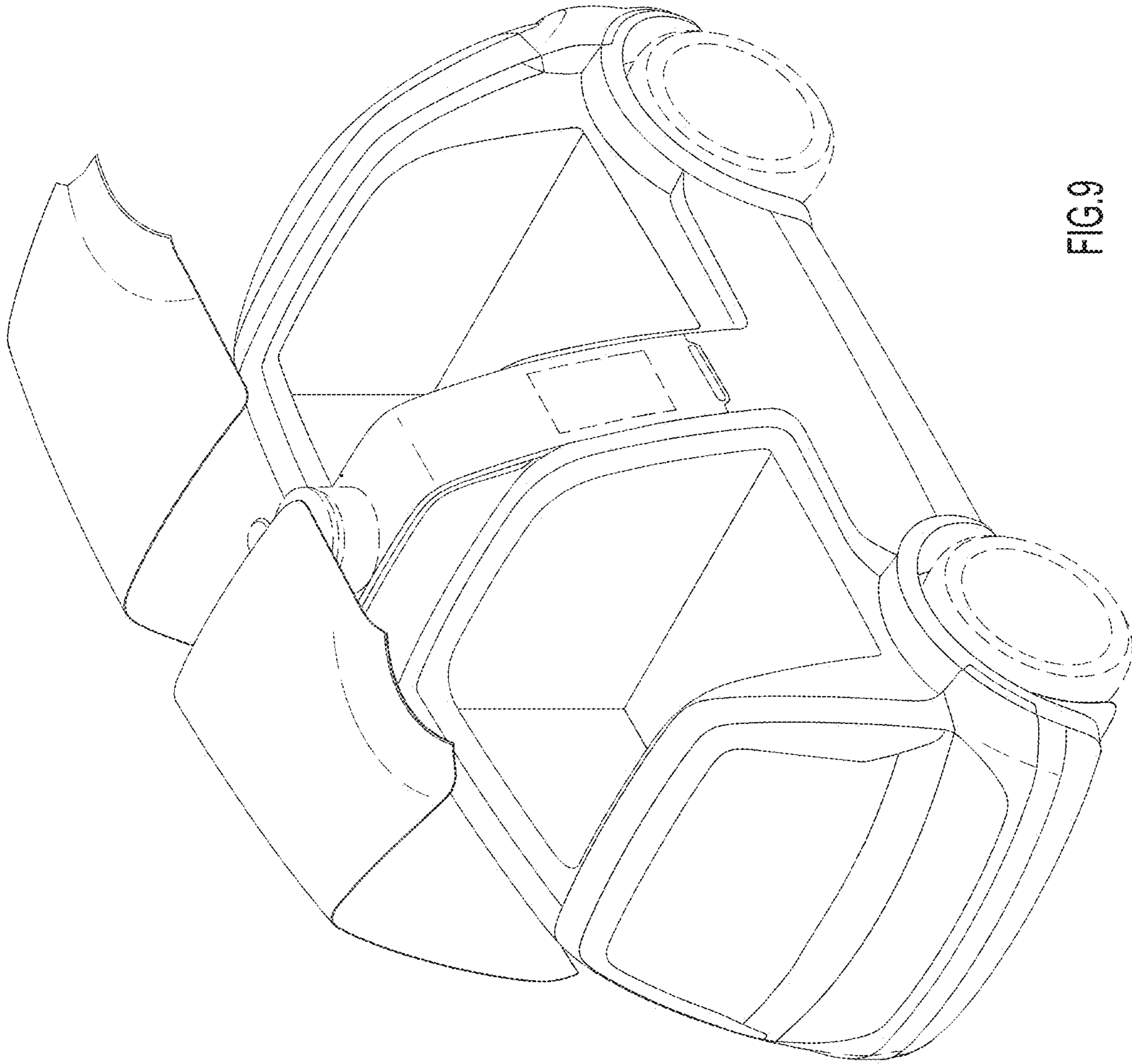


FIG.9

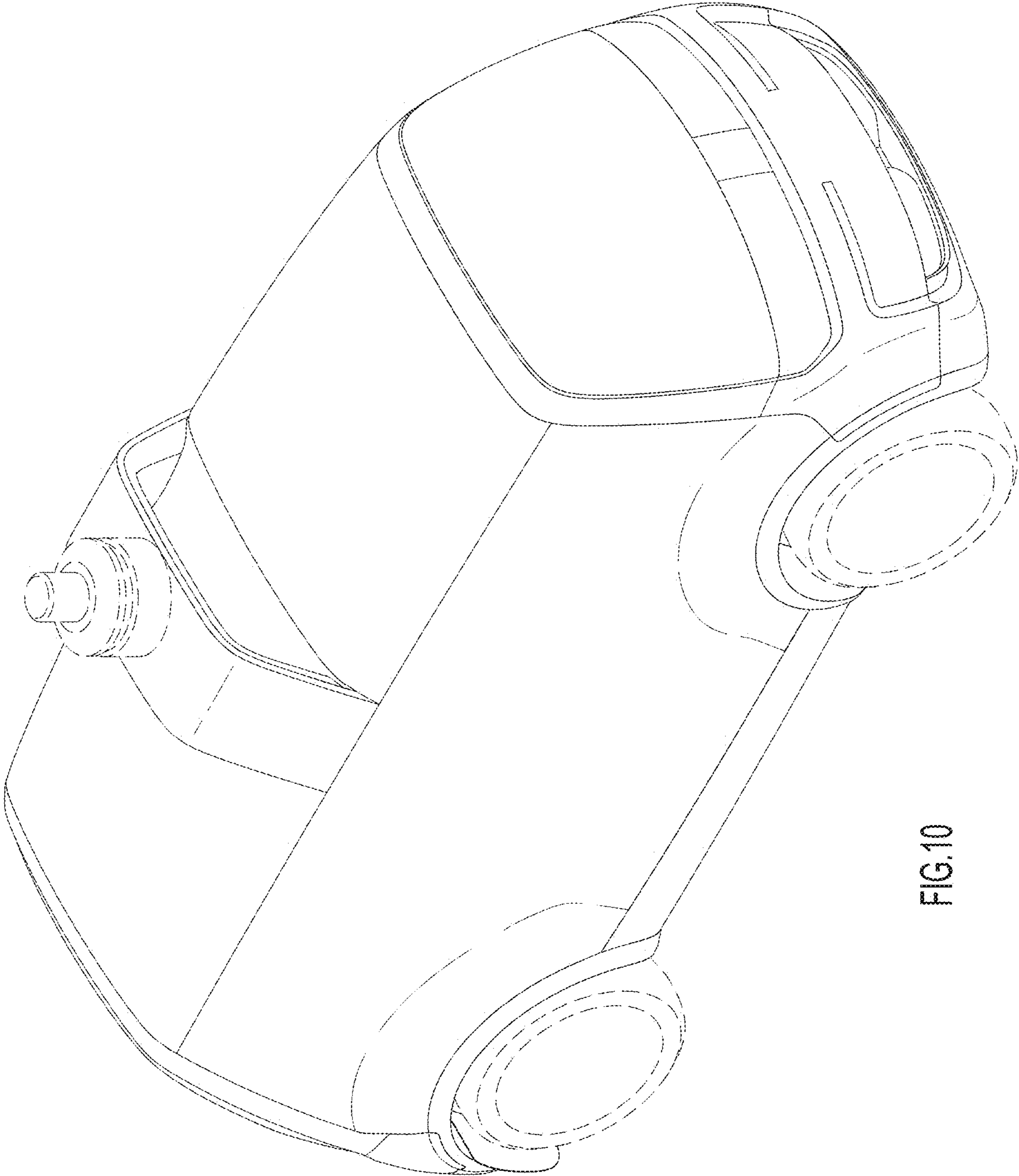


FIG.10

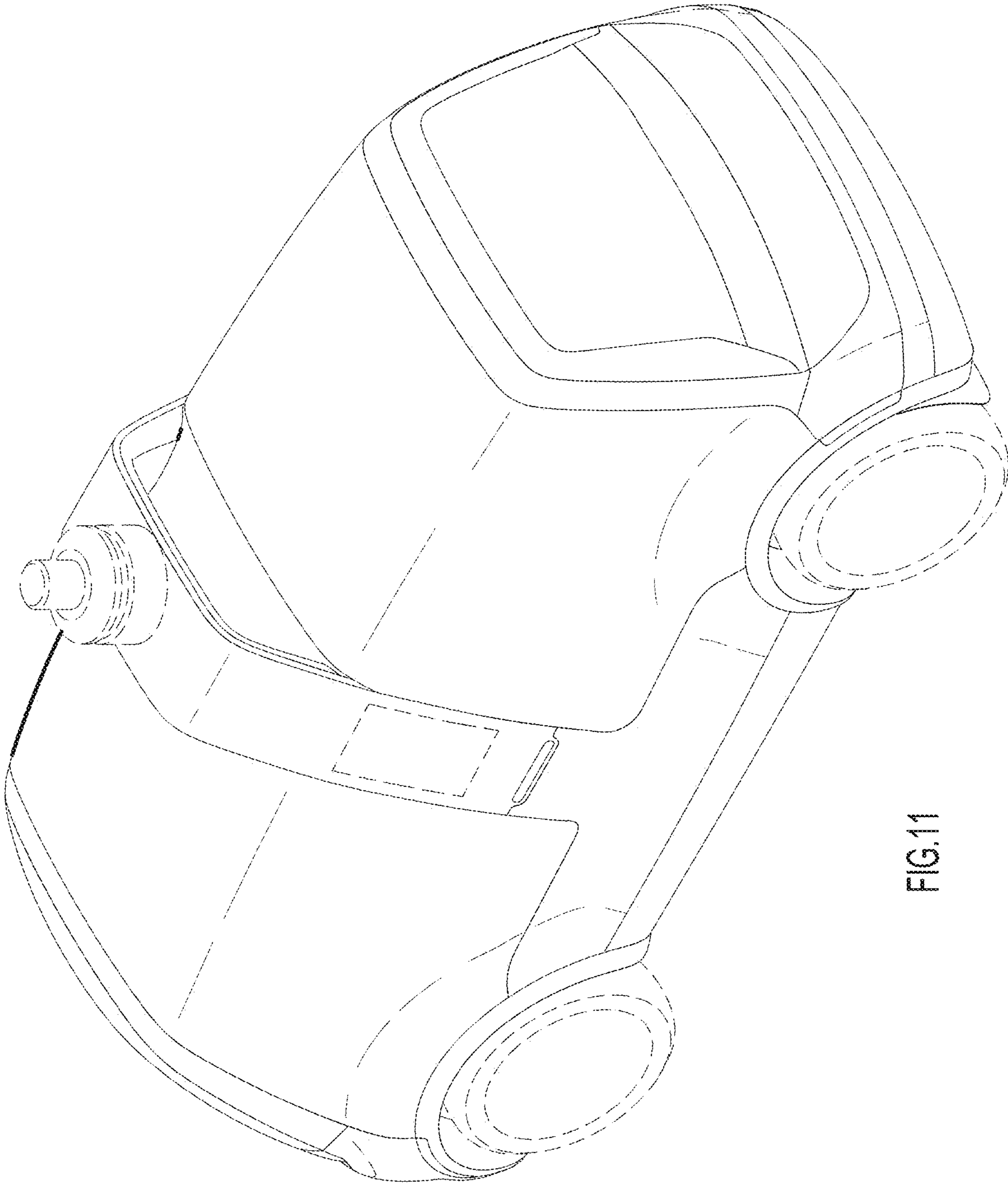


FIG.11

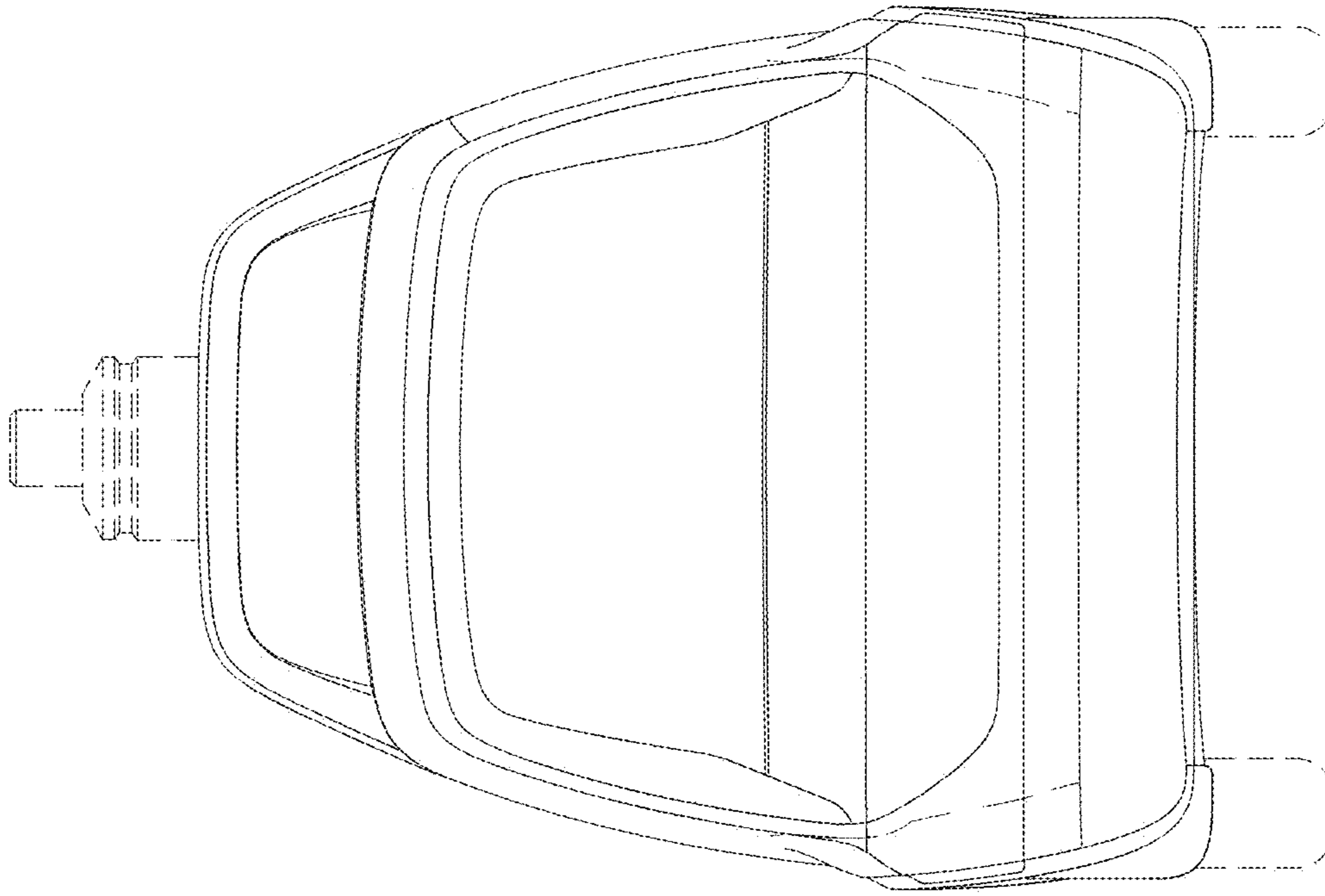


FIG.12

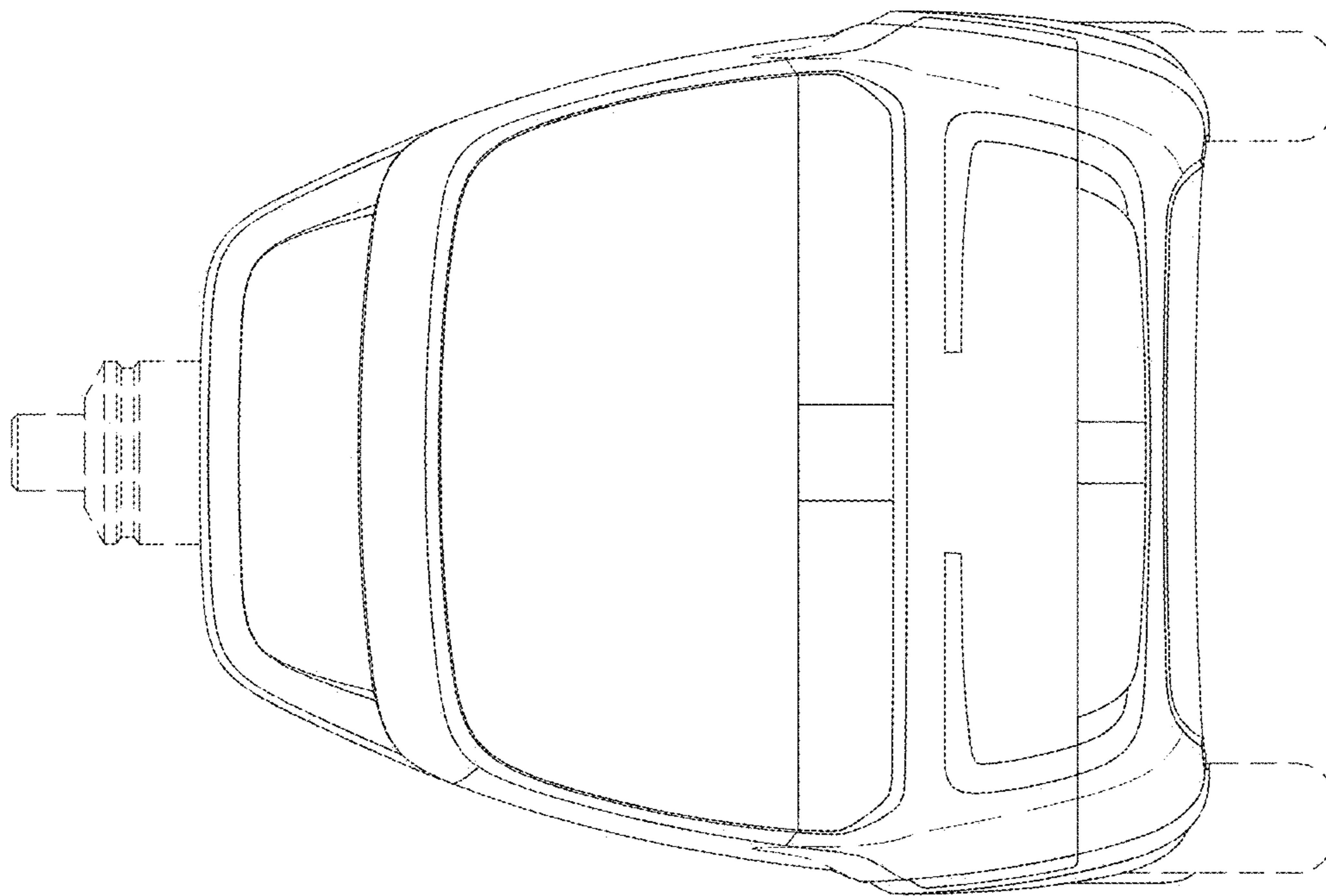


FIG.13

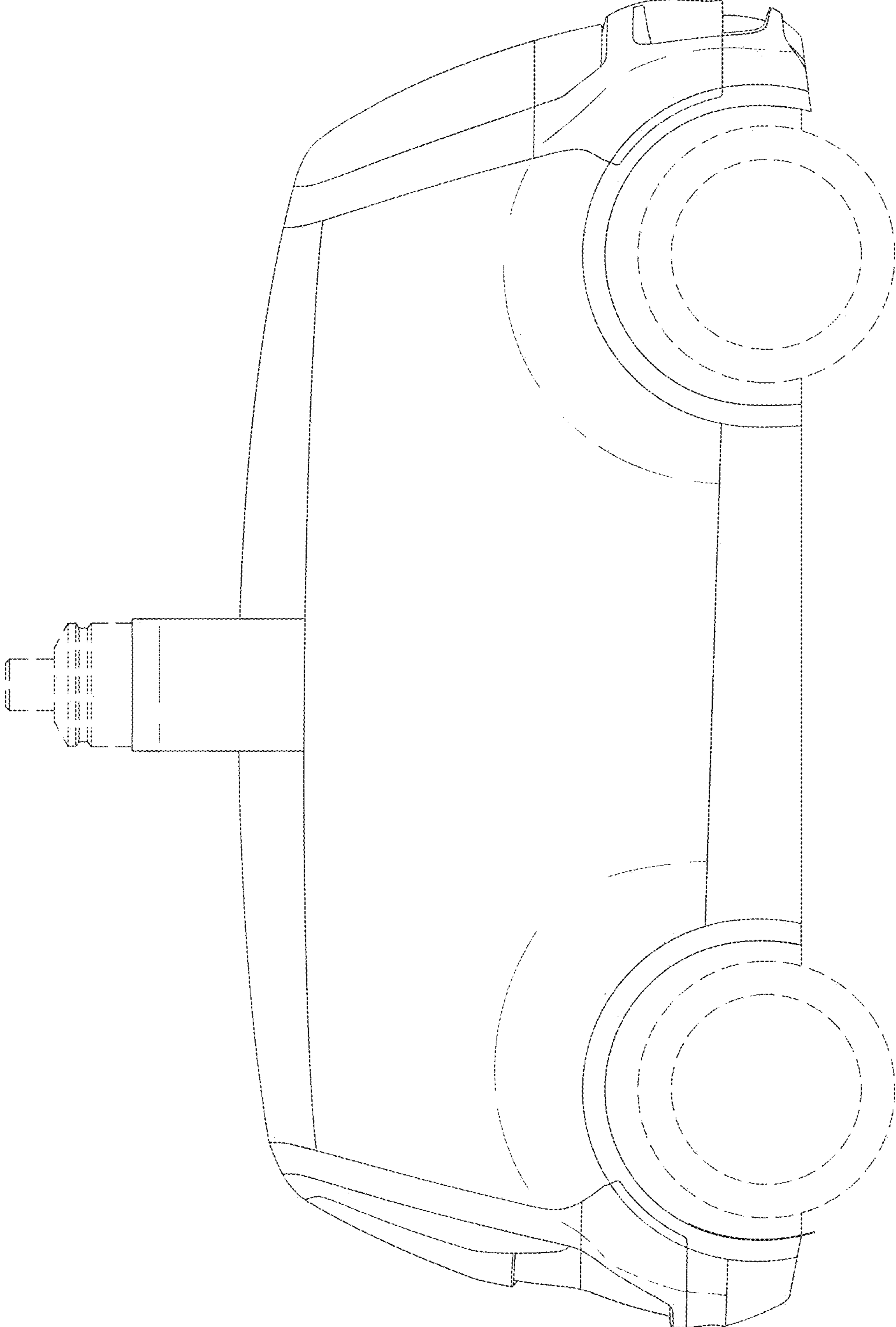


FIG. 14

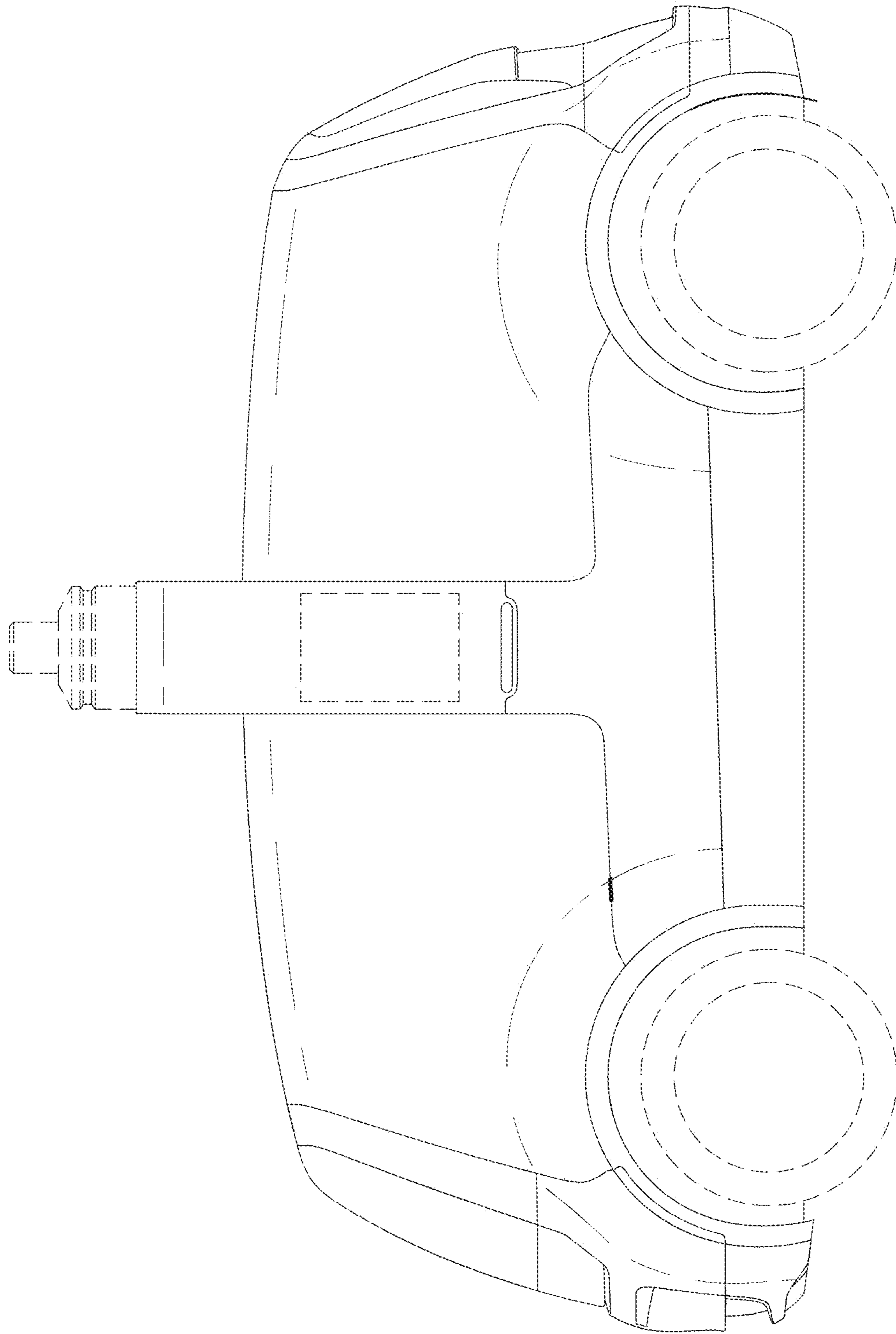


FIG.15

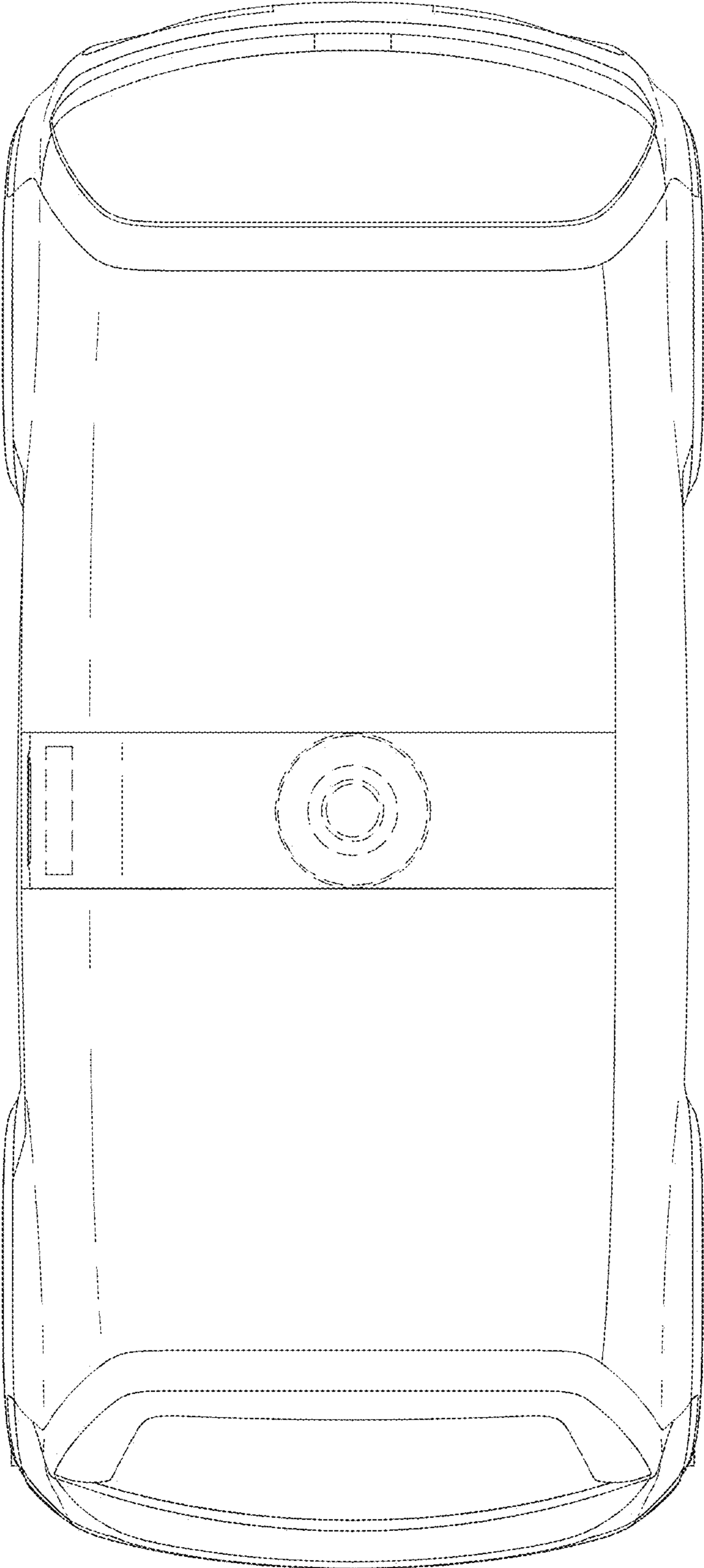


FIG.16



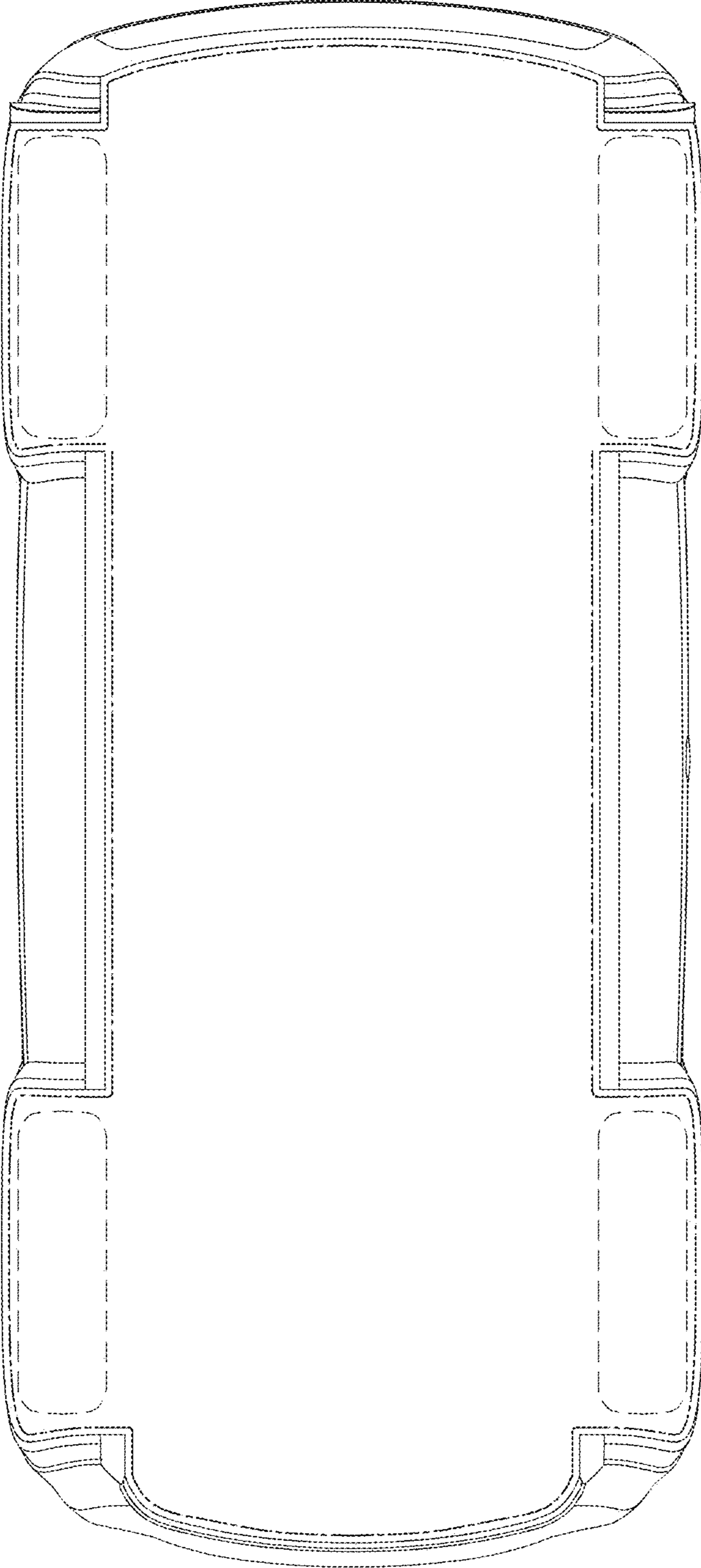


FIG.17

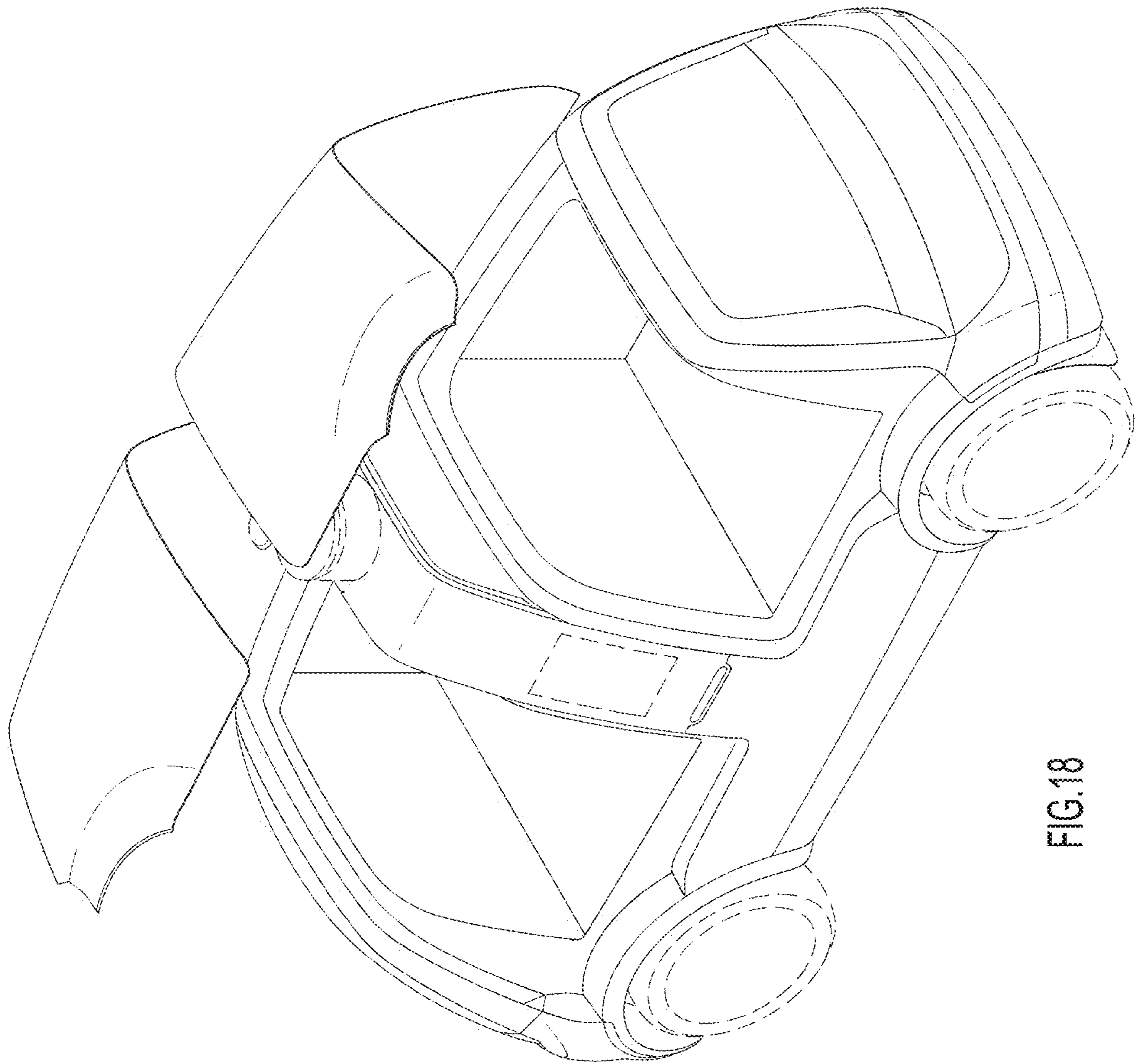


FIG.18