



US00D965466S

(12) **United States Design Patent** (10) **Patent No.:** **US D965,466 S**
Tan (45) **Date of Patent:** **** Oct. 4, 2022**

(54) **TOMATO CAGE**
(71) Applicant: **Zhaoqing Shouxi Information Technology Co., Ltd., Zhaoqing (CN)**
(72) Inventor: **Junyi Tan, Zhaoqing (CN)**
(73) Assignee: **Zhaoqing Shouxi Information Technology Co., Ltd., Zhaoqing (CN)**
(**) Term: **15 Years**
(21) Appl. No.: **29/840,365**
(22) Filed: **May 27, 2022**
(51) **LOC (13) Cl.** **11-02**
(52) **U.S. Cl.**
USPC **D11/143**
(58) **Field of Classification Search**
USPC D11/143, 144, 145; D3/304; D7/701;
D25/100
CPC A01G 31/02; A01G 9/12; A01G 9/124;
A47G 7/00; A47G 7/02
See application file for complete search history.

(56) **References Cited**
U.S. PATENT DOCUMENTS
897,006 A * 8/1908 Muller A01G 9/12
47/47
D359,929 S * 7/1995 Thornhill 47/29.1
6,349,502 B1 * 2/2002 Fernandez A01G 9/12
47/45
D542,611 S 5/2007 Wilson
D604,528 S * 11/2009 Hiatt D6/405
D615,831 S * 5/2010 Whitney D8/1
D655,940 S 3/2012 McRae
8,132,361 B1 * 3/2012 Poyas A01G 17/12
47/42
2008/0263944 A1 * 10/2008 McGaughey A01G 9/12
47/70

2015/0059241 A1 * 3/2015 Montagano A01G 9/12
29/525.01
2015/0223412 A1 * 8/2015 Vanderwall-Arnold
A01G 9/12
47/45
2016/0088805 A1 * 3/2016 Gyllenhammer .. A01G 13/0243
47/31

OTHER PUBLICATIONS

Amazon website, Adjustable Tomato Cage Plant Support Cages, Sep. 24, 2021, [site visited Aug. 8, 2022], Available on the Internet URL <https://www.amazon.com/Anothera-Cucumber-Trellis%EF%BC%8CPlant-Adjustable-Vegetables%EF%BC%8CFlowers%EF%BC%8CFruit%EF%BC%8CRose/dp/B096Z66K4R> (Year: 2021).*

* cited by examiner

Primary Examiner — S. Bryan Reinholdt, Jr.
(74) *Attorney, Agent, or Firm* — ScienBiziP, P.C.

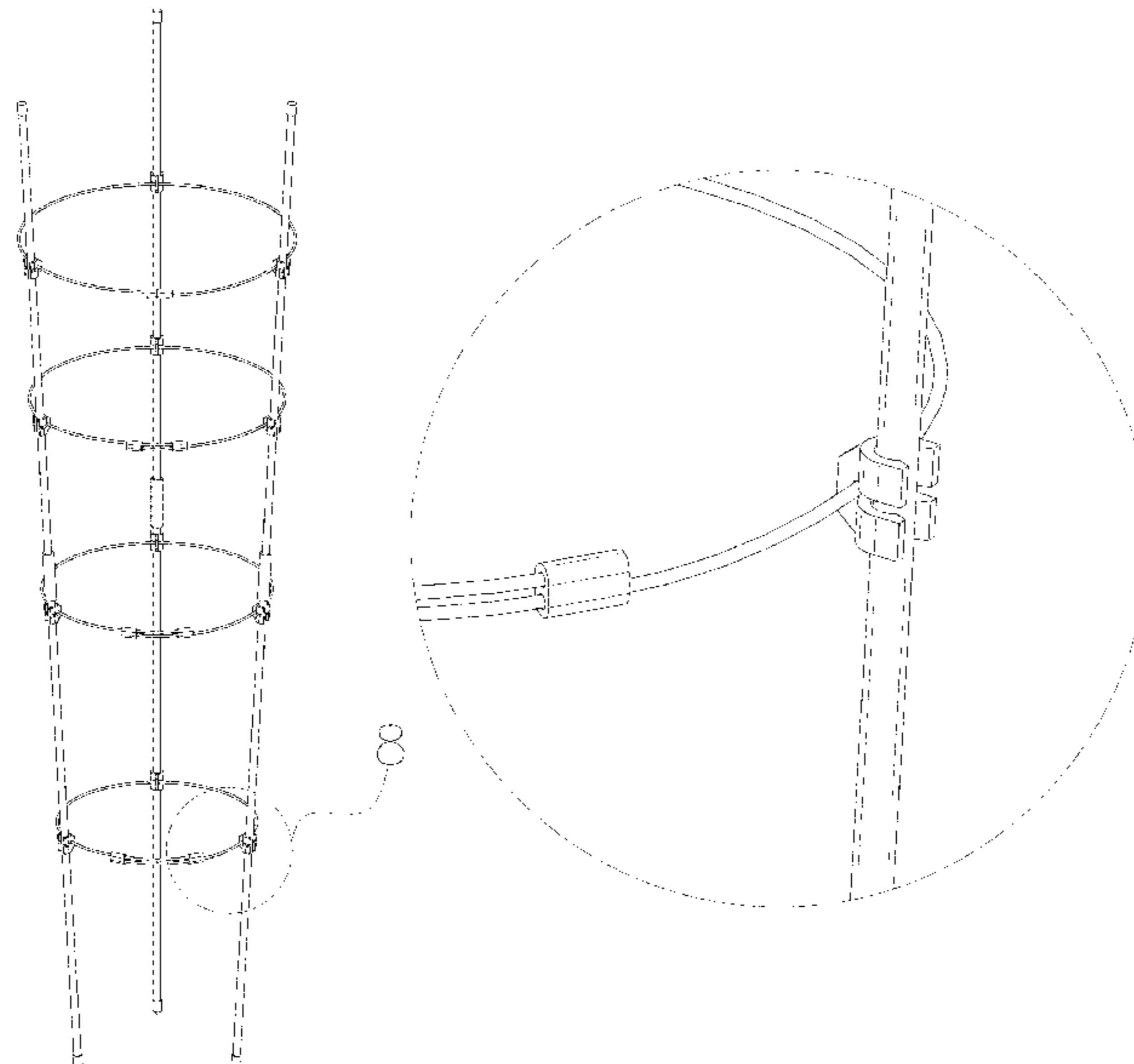
(57) **CLAIM**

The ornamental design for a tomato cage, as shown and described.

DESCRIPTION

FIG. 1 is a front and top perspective view of a tomato cage, showing my design.
FIG. 2 is a front elevation view thereof.
FIG. 3 is a rear elevation view thereof.
FIG. 4 is a left side elevation view thereof.
FIG. 5 is a right side elevation view thereof.
FIG. 6 is a top plan view thereof.
FIG. 7 is a bottom plan view thereof; and,
FIG. 8 is a partial enlarged view of an area labeled 8 in FIG. 1.
The dot-dash broken lines in FIGS. 1 and 8 depict the boundaries of the enlargements that form no part of the claimed design.

1 Claim, 8 Drawing Sheets



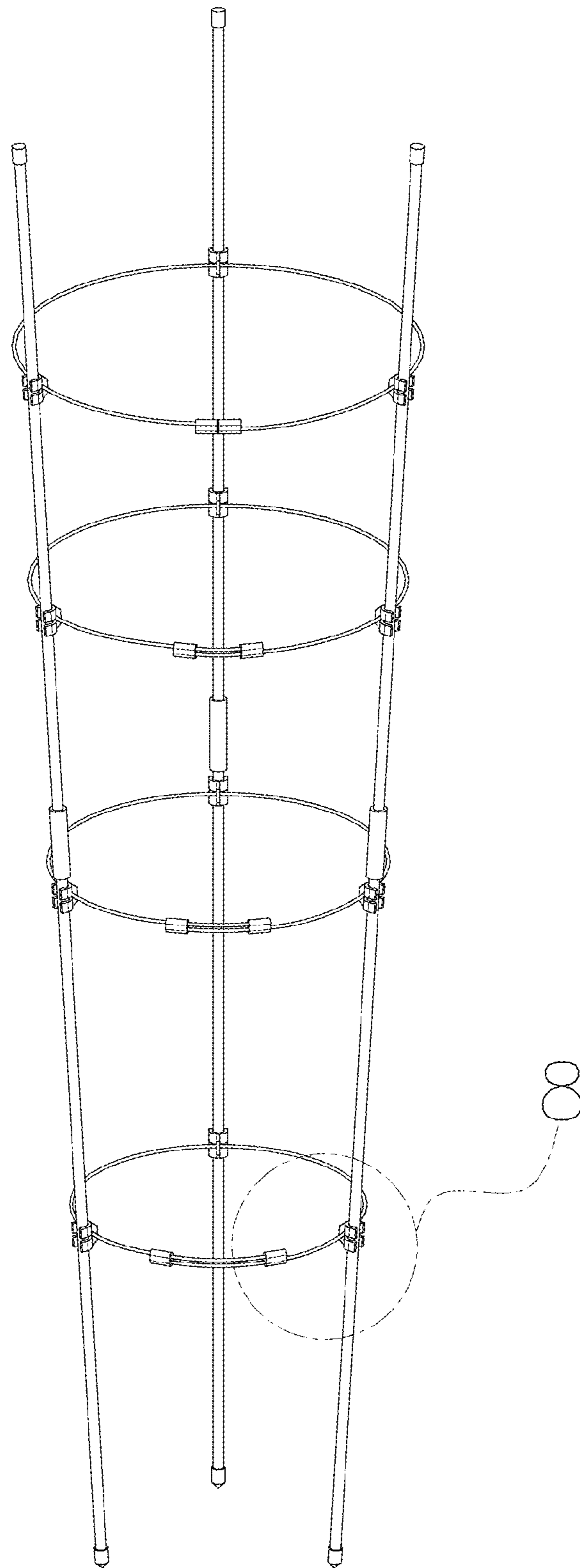


FIG. 1

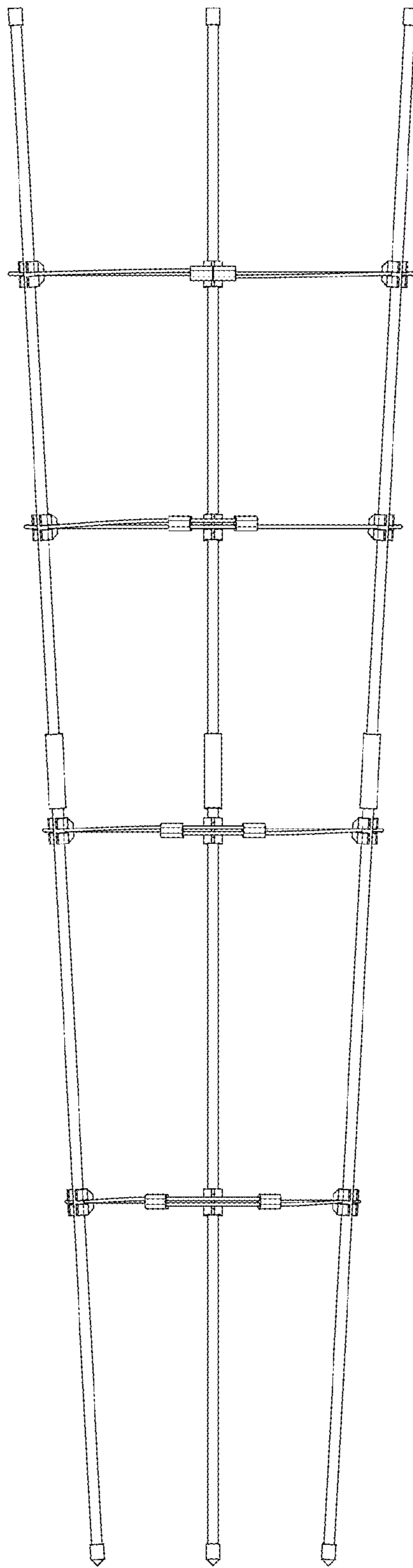


FIG. 2

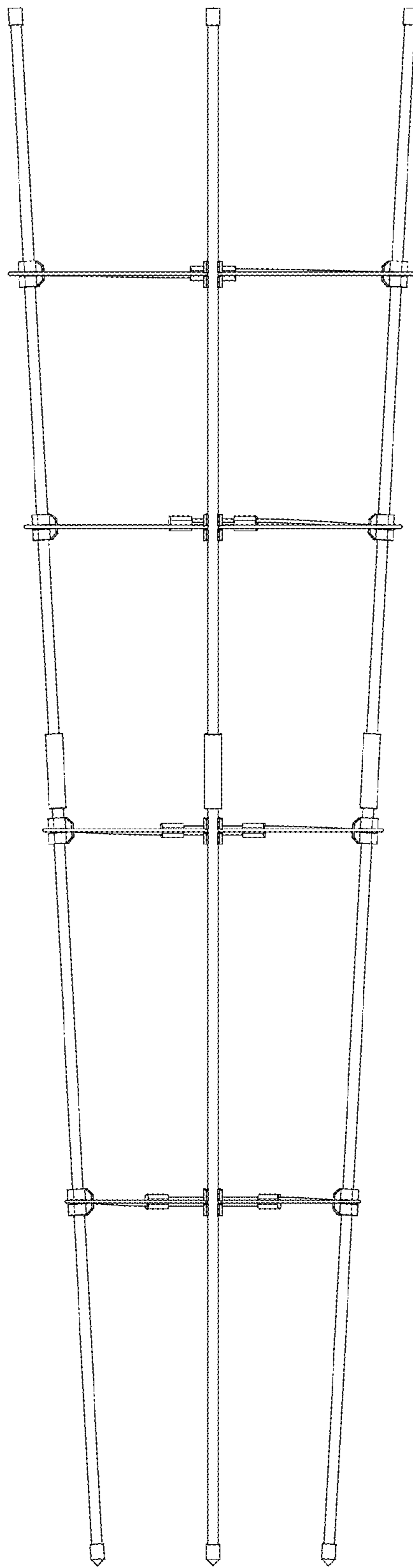


FIG. 3

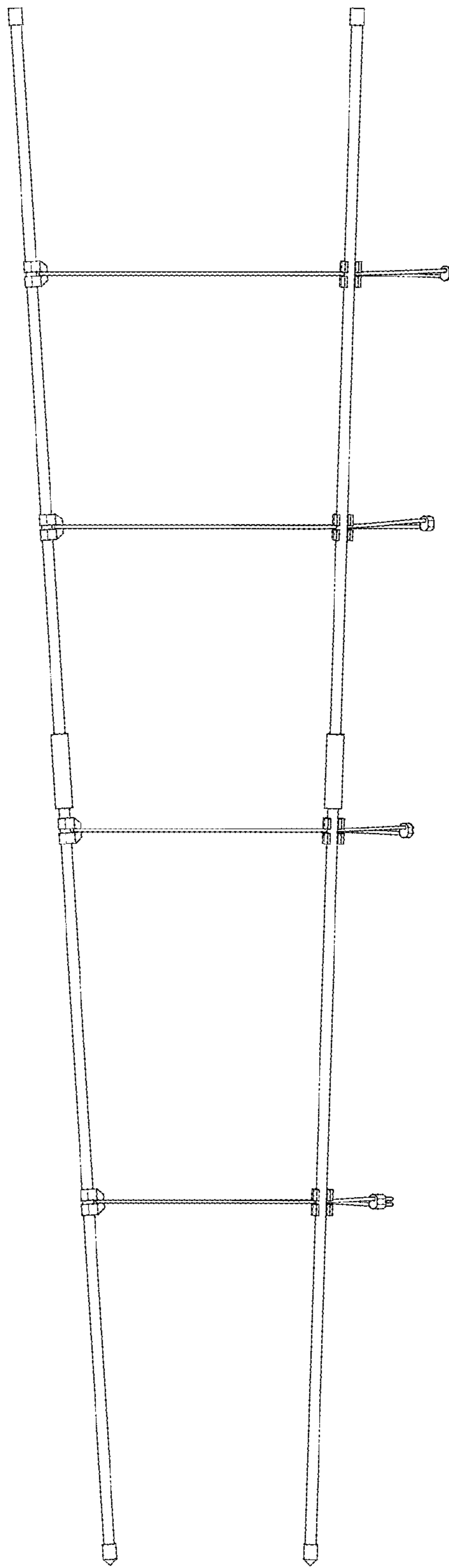


FIG. 4

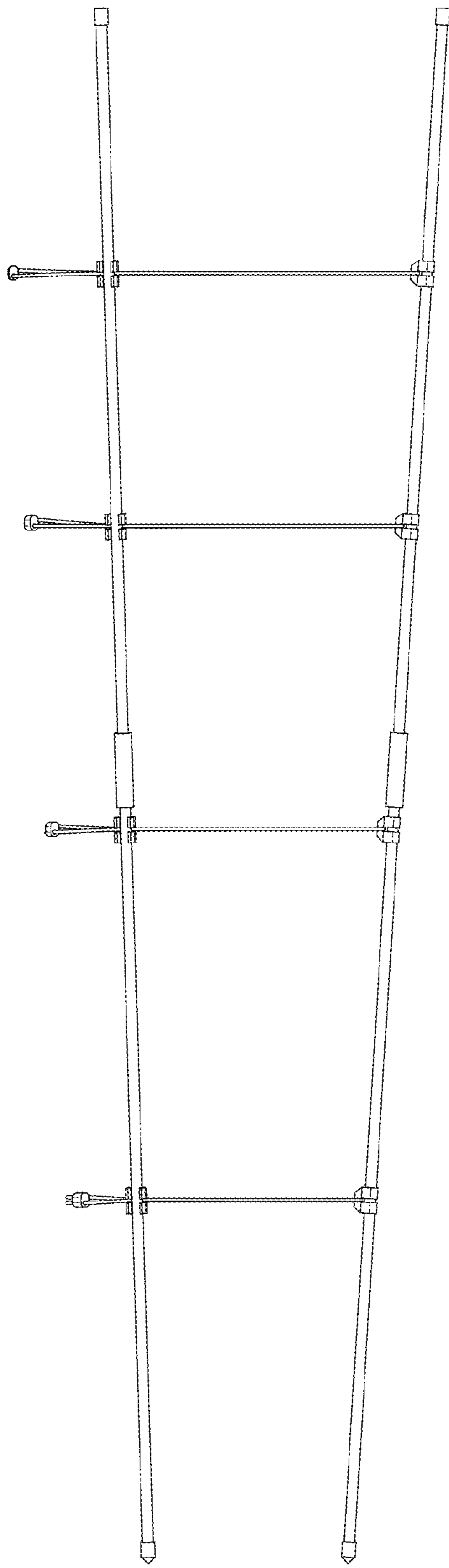


FIG. 5

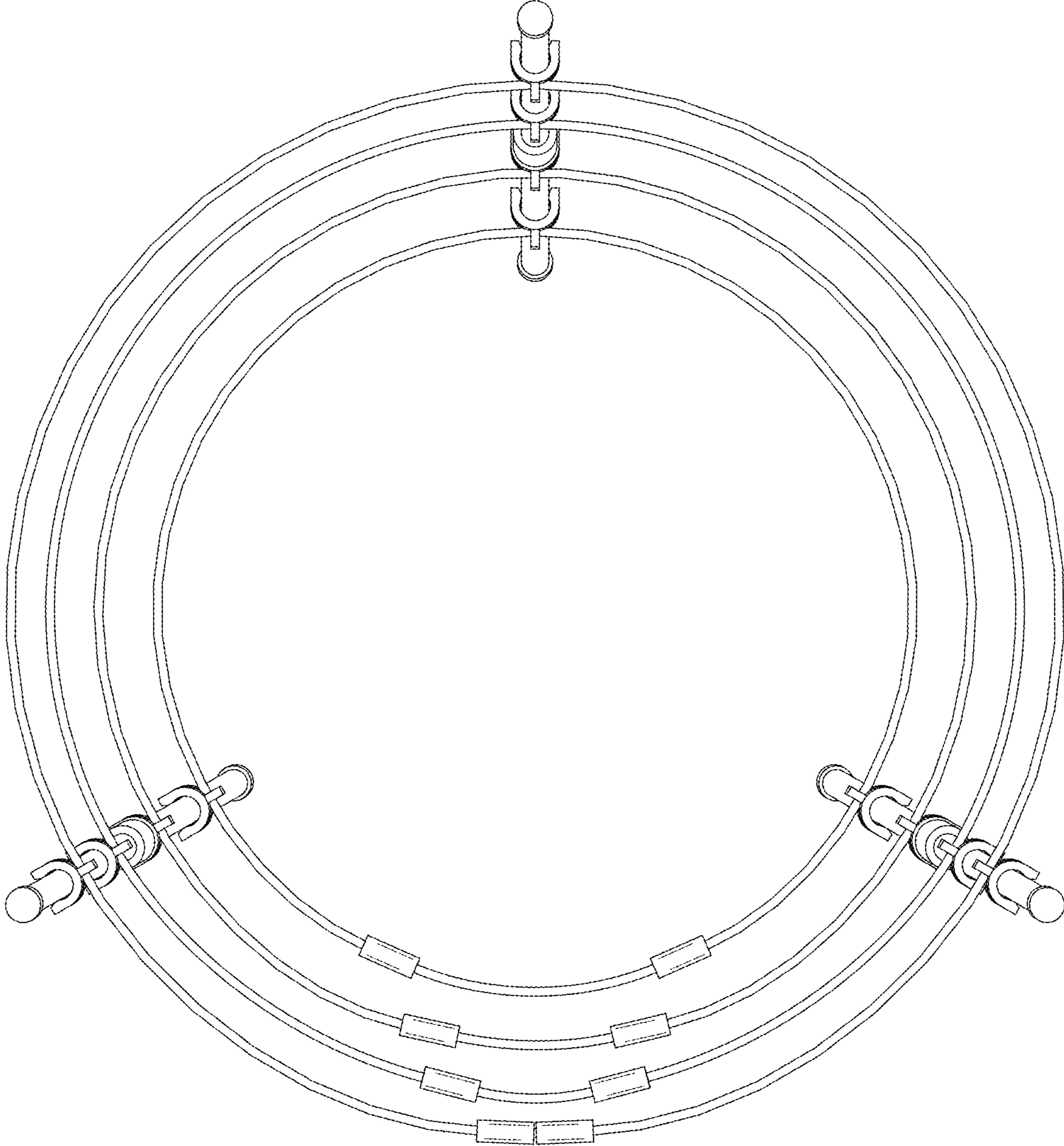


FIG. 6

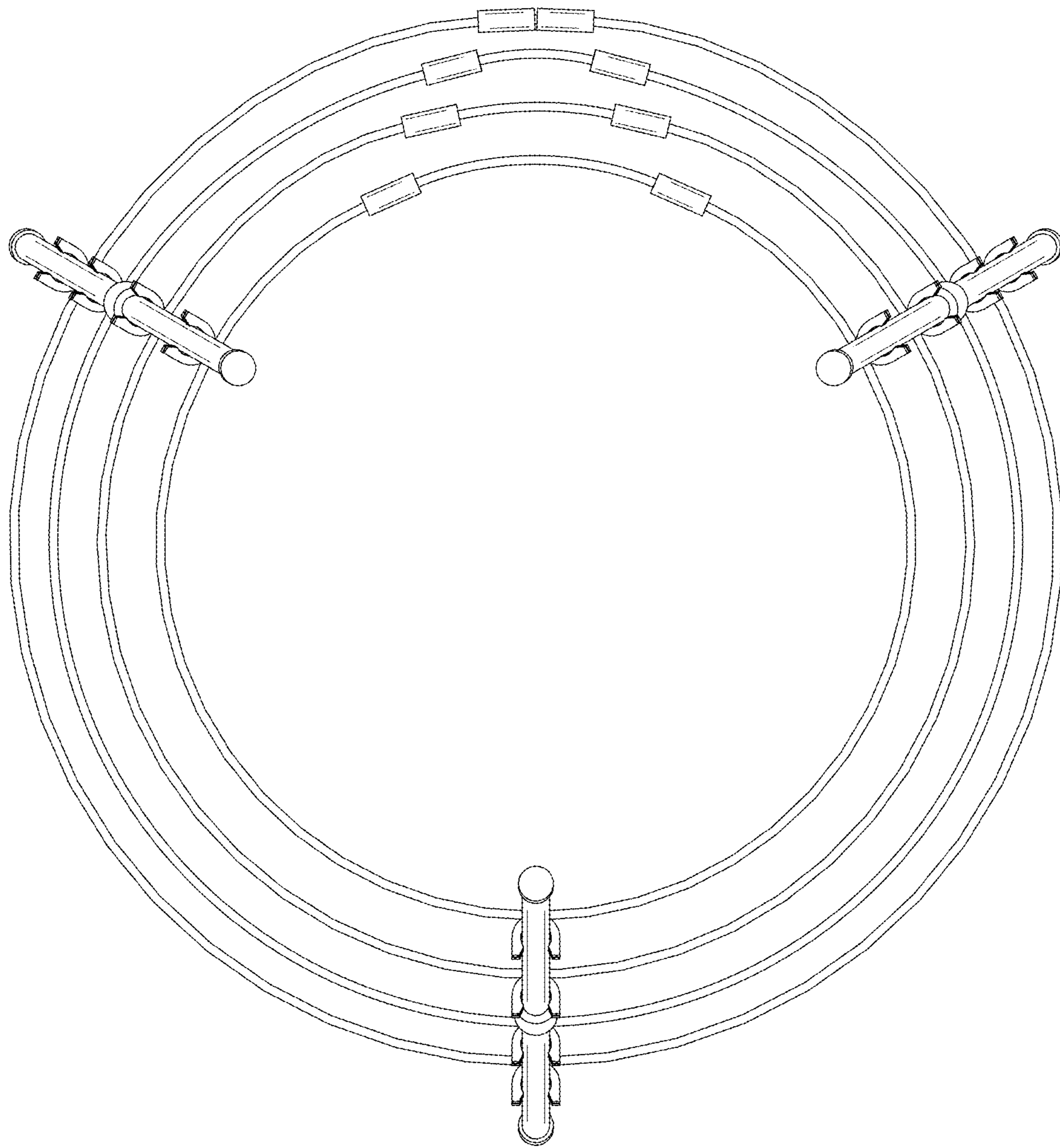


FIG. 7

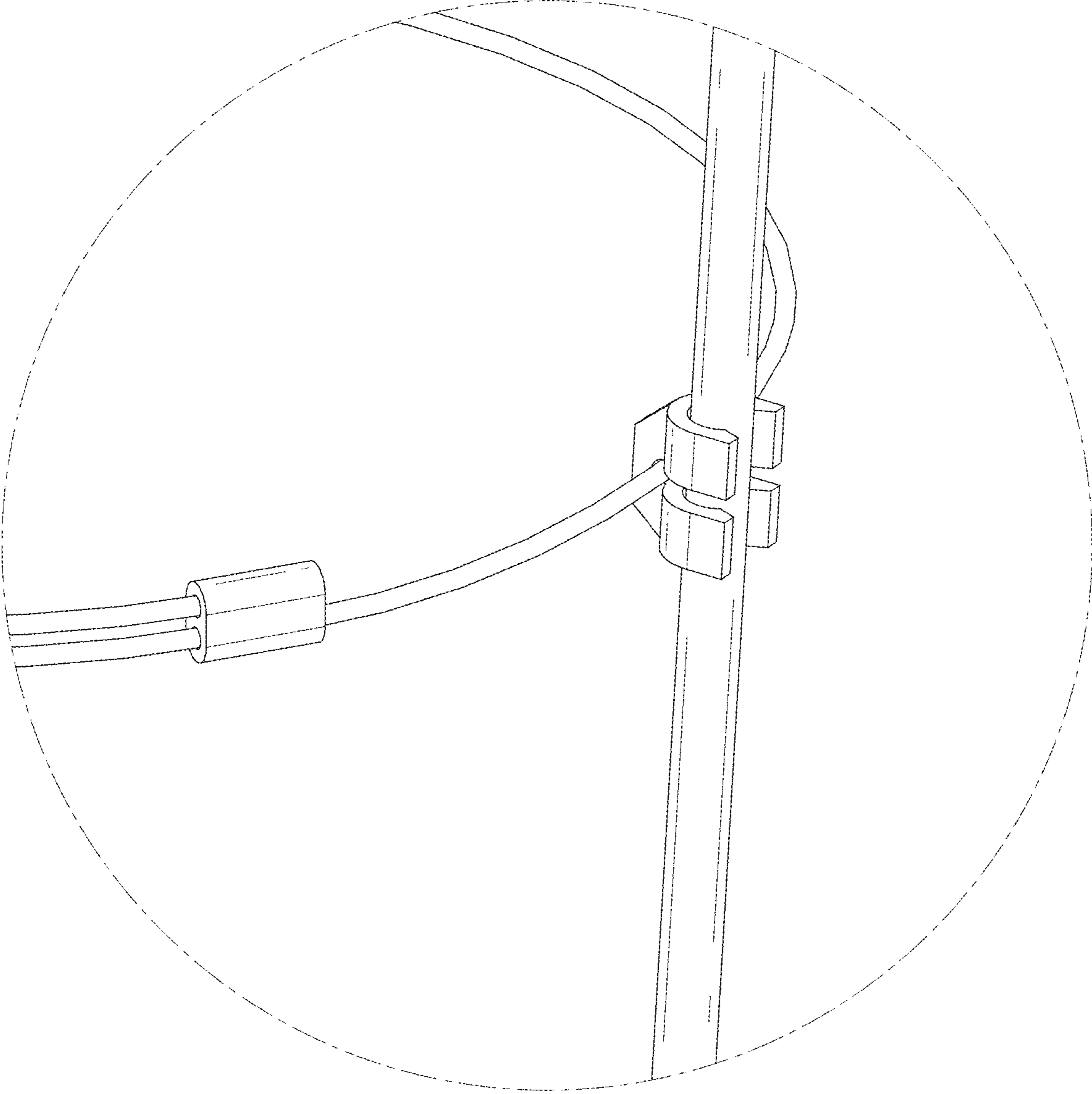


FIG. 8