



US00D965465S

(12) **United States Design Patent**
Ma

(10) **Patent No.:** **US D965,465 S**

(45) **Date of Patent:** **** Oct. 4, 2022**

(54) **WREATH BASE**
(71) Applicant: **Dongsheng Ma**, Dengzhou (CN)
(72) Inventor: **Dongsheng Ma**, Dengzhou (CN)
(**) Term: **15 Years**
(21) Appl. No.: **29/796,999**
(22) Filed: **Jun. 28, 2021**

2,227,187 A * 12/1940 Hanson A01G 5/04
428/10
2,499,740 A * 3/1950 Glance A01G 5/04
428/10
2,740,218 A * 4/1956 Miller A01G 5/02
428/17
2,761,233 A * 9/1956 Brown A01G 5/04
47/41.12
2,850,826 A * 9/1958 Testa A01G 5/04
47/41.12

(Continued)

(30) **Foreign Application Priority Data**

Jun. 19, 2021 (CN) 202130380211.3

(51) **LOC (13) Cl.** **11-04**

(52) **U.S. Cl.**
USPC **D11/120**

(58) **Field of Classification Search**
USPC D11/117, 120, 121, 130, 131, 132, 139,
D11/143, 144, 152, 164, 202, 222, 40, 47
CPC A47G 33/00; A47G 33/08; A47G
2033/0827; A44C 1/00; A44C 7/00; B44C
5/00; B44C 5/02; B44C 5/04; B44C 5/06;
A41G 1/00; A41G 1/02; A41G 1/04;
A01G 5/00; A01G 5/02; A01G 5/04
See application file for complete search history.

(56) **References Cited**

U.S. PATENT DOCUMENTS

1,482,537 A * 2/1924 Alter A01G 5/04
428/10
1,511,780 A * 10/1924 Smith A01G 5/04
428/10
1,518,618 A * 12/1924 Waters, Jr. A01G 5/04
428/10
1,611,589 A * 12/1926 Janusek A01G 5/04
47/41.12
2,098,314 A * 11/1937 Shalomith A47G 33/00
428/10
2,200,948 A * 5/1940 Bufton A01G 5/04
47/41.12

OTHER PUBLICATIONS

Round Metal Wire Wreath Frame—16", Hobby Lobby, <https://www.hobbylobby.com/Floral-Wedding/Floral-Supplies/Wreaths-Forms/Round-Metal-Wire-Wreath-Frame---16%22/p/1793>, Dec. 3, 2015. (Year: 2015).*

Primary Examiner — Elizabeth J Oswecki

(57) **CLAIM**

The ornamental design for a wreath base, as shown and described.

DESCRIPTION

FIG. 1 is a front perspective view of a wreath base showing my new design;
FIG. 2 is a back perspective view thereof;
FIG. 3 is a front view thereof;
FIG. 4 is a back view thereof;
FIG. 5 is a left side view thereof;
FIG. 6 is a right side view thereof;
FIG. 7 is a top view thereof;
FIG. 8 is a bottom view thereof; and,
FIG. 9 is an enlarged portion view labeled, "FIG. 9," in FIG. 1.

The dashed-dot lines in FIGS. 1 and 9 illustrate the boundary lines of the enlarged portion view of FIG. 9 and form no part of the claimed design. The even dashed broken lines in FIGS. 2 and 4 form no part of the claimed design.

1 Claim, 9 Drawing Sheets

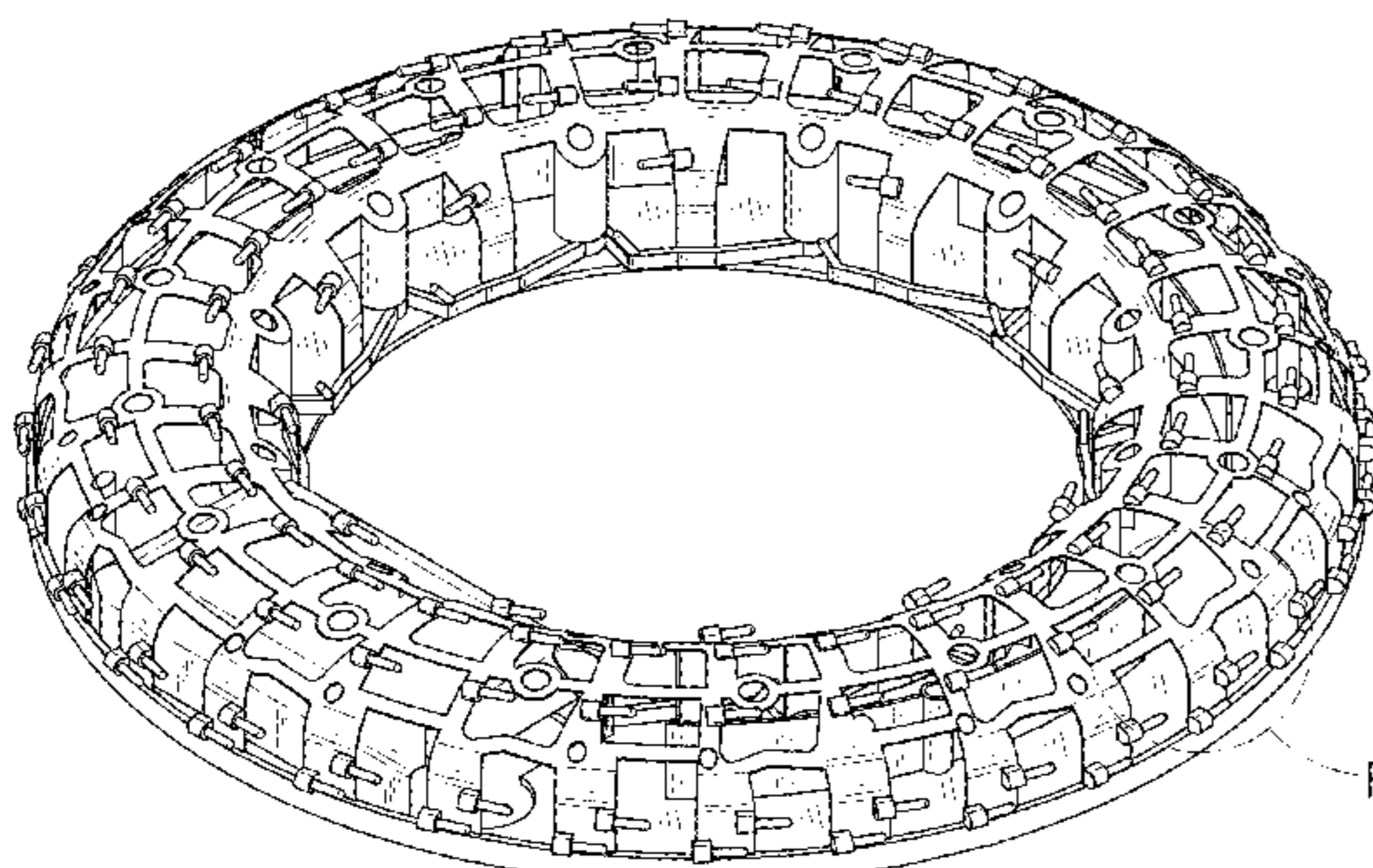
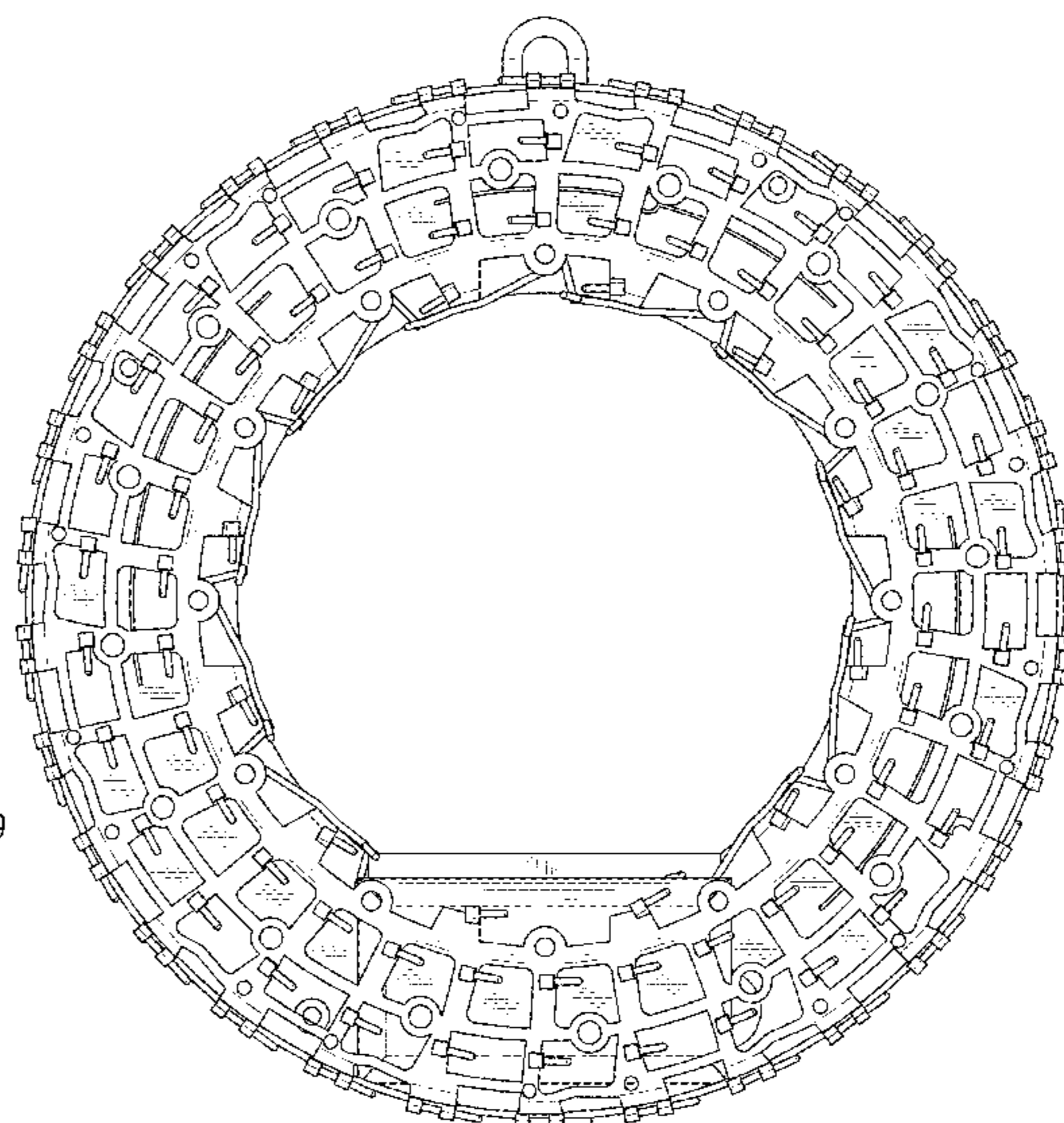


FIG. 9



(56)

References Cited

U.S. PATENT DOCUMENTS

5,080,939	A *	1/1992	Eheler	A01G 5/04 428/10
D344,249	S *	2/1994	Carmichael	D11/120
5,299,382	A *	4/1994	Carmichael	A01G 5/04 428/10
5,312,655	A *	5/1994	Hultberg	A41G 1/00 428/10
D353,122	S *	12/1994	Gilley	D11/164
5,501,889	A *	3/1996	Church	A01G 5/04 428/10
5,503,883	A *	4/1996	Kell, Jr.	A01G 5/04 428/10
5,506,009	A *	4/1996	Stolzman	A41G 1/00 428/7
D388,737	S *	1/1998	Branson	D11/147
6,685,340	B2 *	2/2004	Symonds	B44C 5/00 362/249.18
D686,939	S *	7/2013	Merrell	D11/143
D692,344	S *	10/2013	Ito	D11/120
D742,652	S	11/2015	Babikian et al.	
D758,913	S *	6/2016	Ohlsson, Jr.	D11/120
D774,939	S *	12/2016	Nelson	D11/120
D808,205	S	1/2018	Cunningham	
D851,293	S *	6/2019	Anderson	D26/10
D896,014	S	9/2020	Case et al.	

* cited by examiner

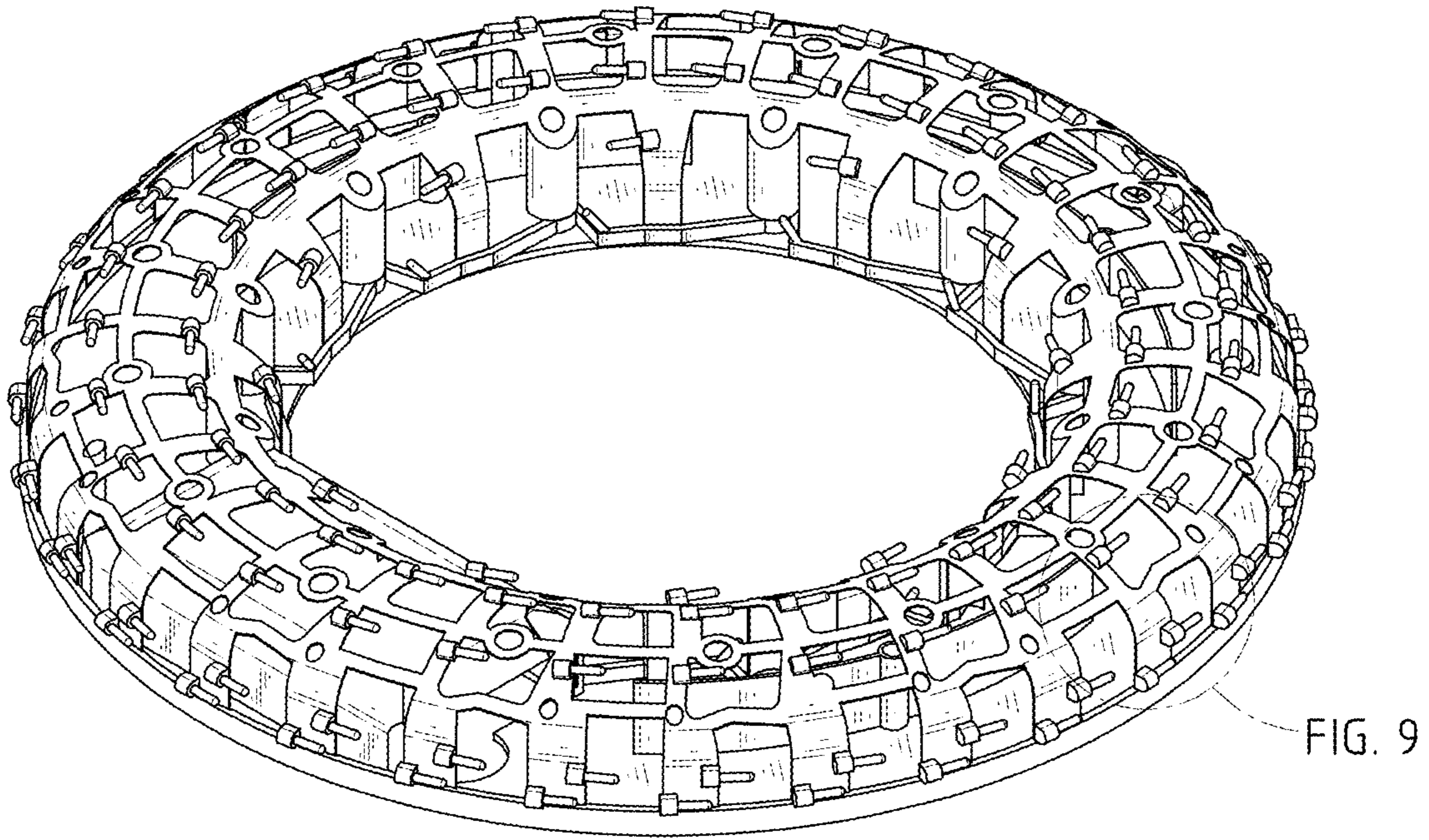


FIG. 1

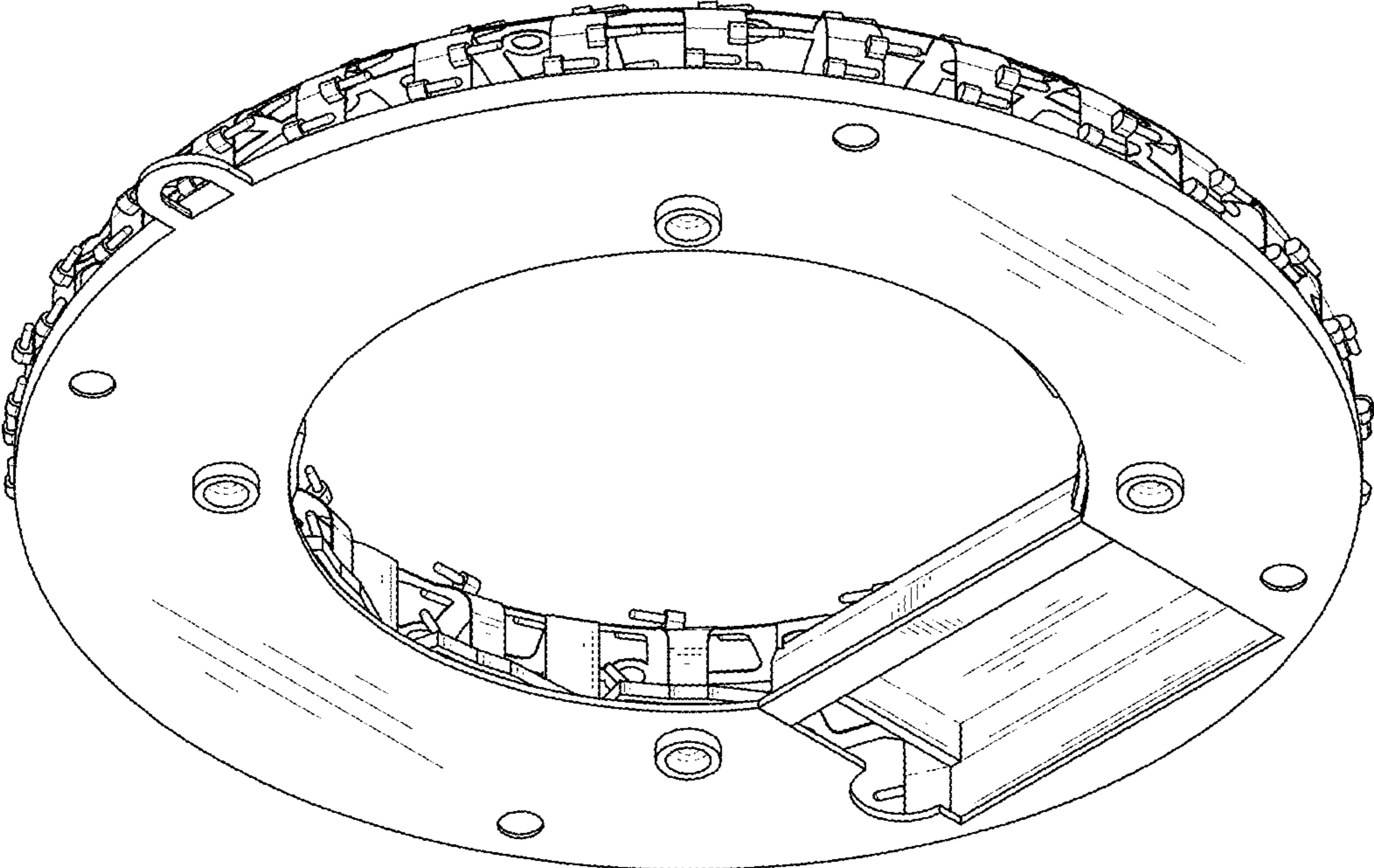


FIG. 2

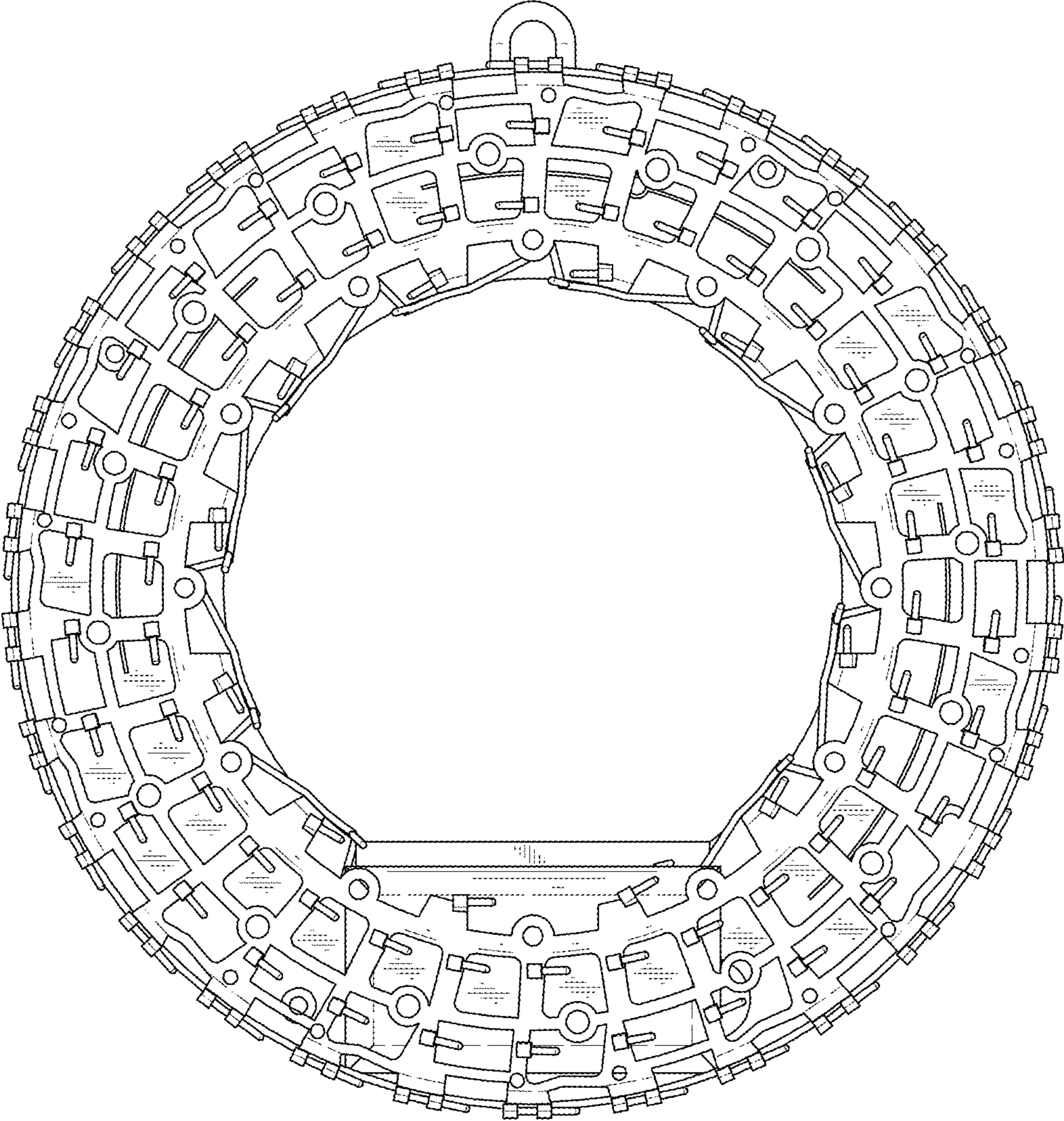


FIG. 3

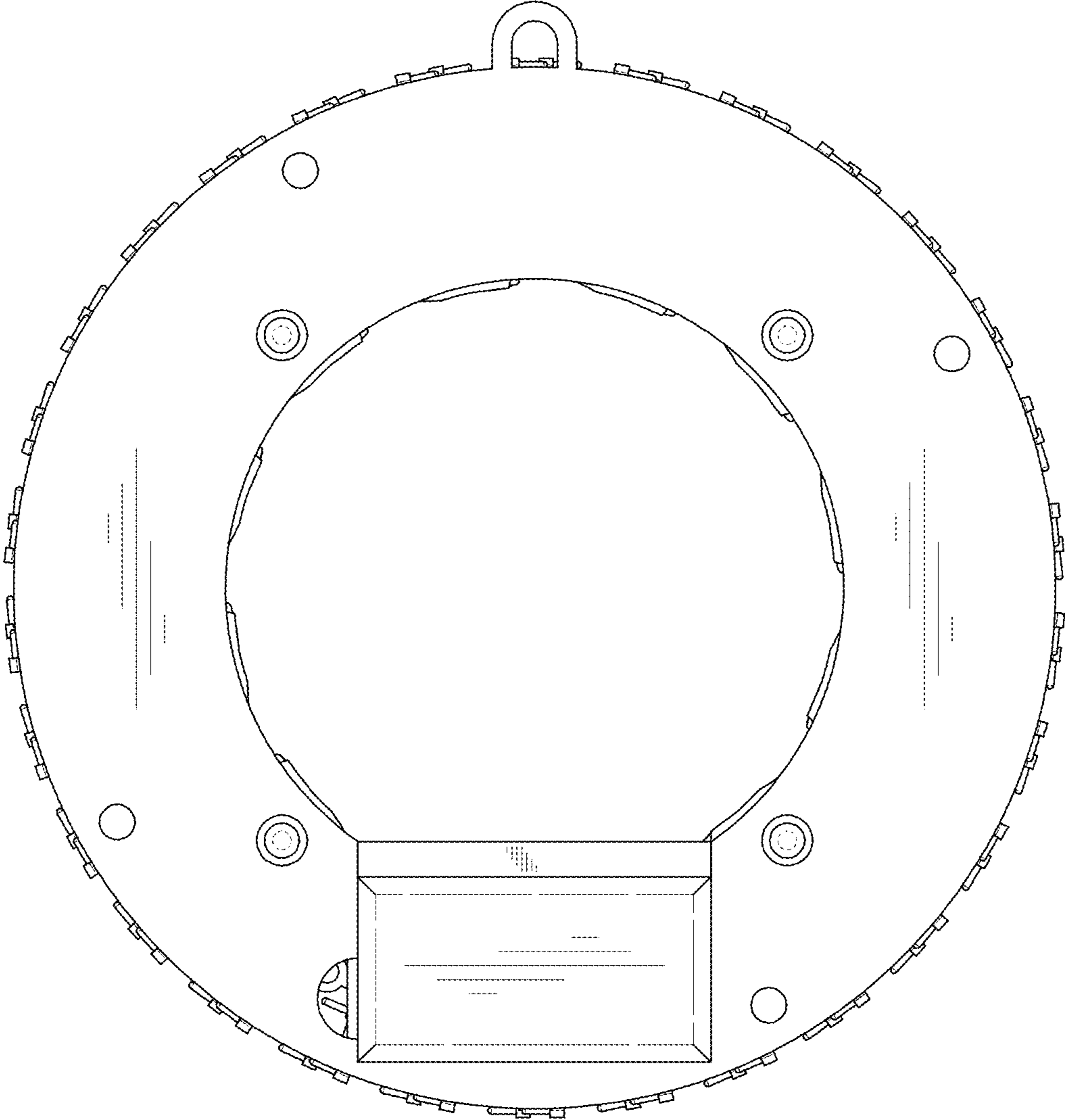


FIG. 4

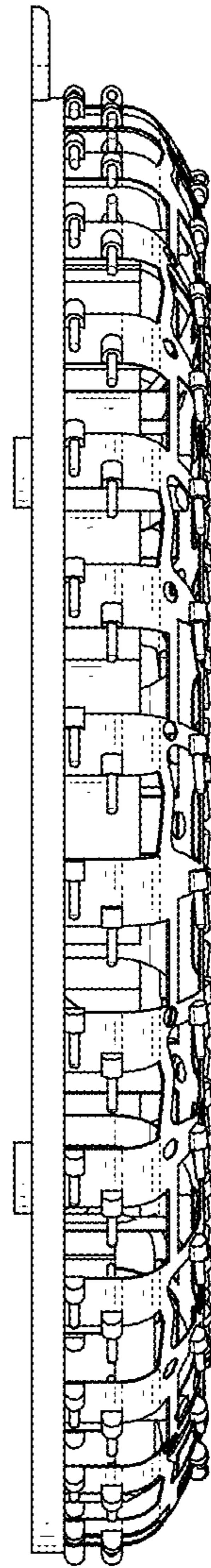


FIG. 5

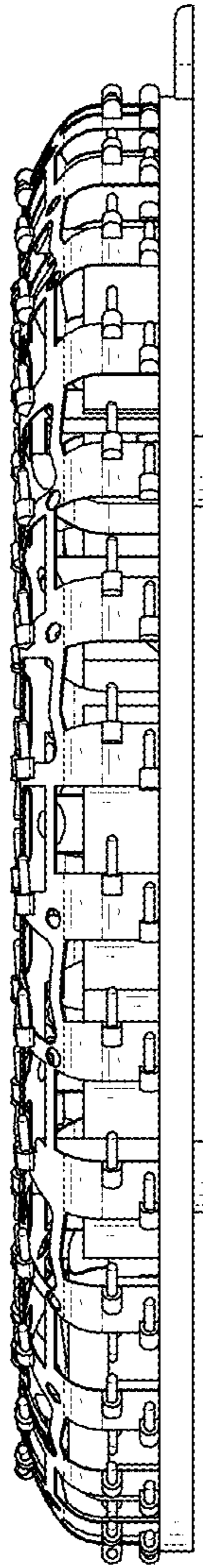


FIG. 6

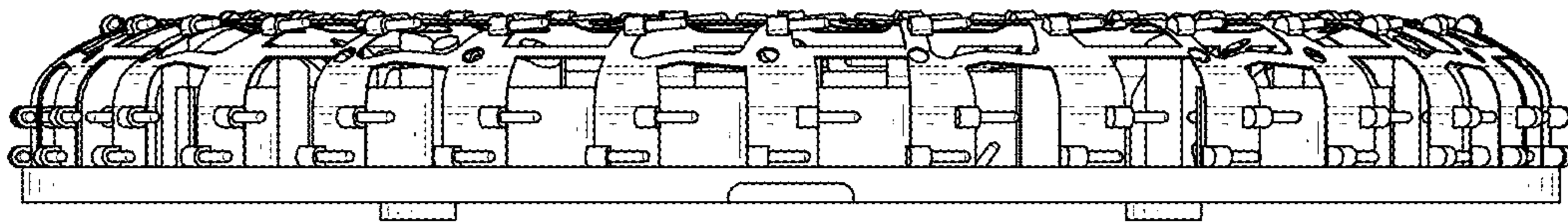


FIG. 7

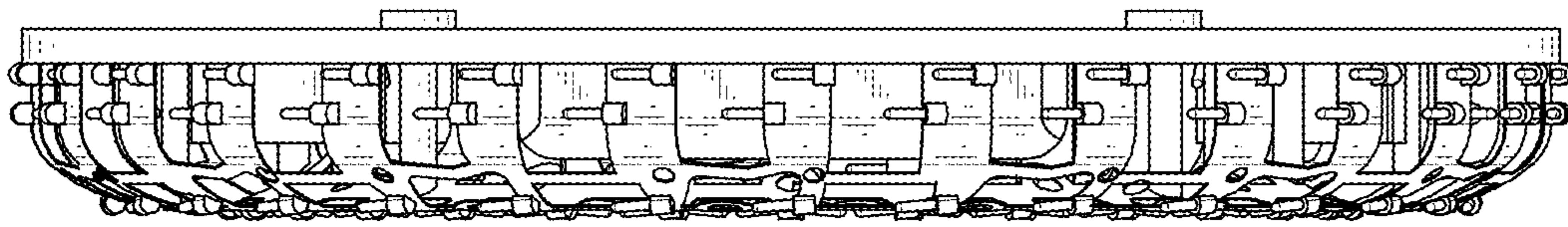


FIG. 8

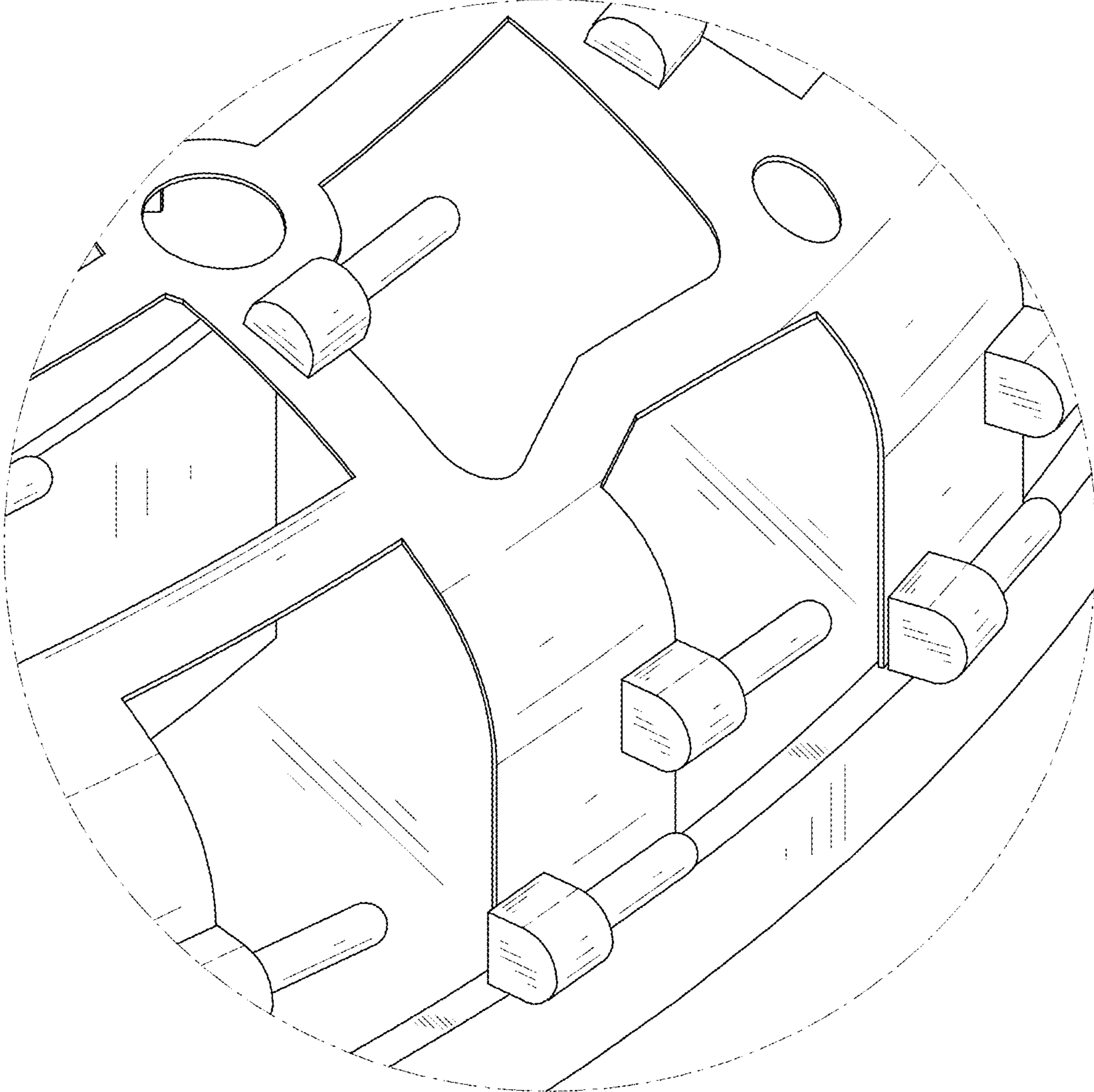


FIG. 9