



US00D965461S

(12) **United States Design Patent**
Marchand

(10) **Patent No.:** **US D965,461 S**

(45) **Date of Patent:** **** Oct. 4, 2022**

(54) **ARTICLE OF JEWELRY**

D888,597 S * 6/2020 Fillon D11/41
D931,134 S * 9/2021 Fillon D11/26
D934,107 S * 10/2021 Fillon D11/40
D934,726 S * 11/2021 Fillon D11/40

(71) Applicant: **CARTIER INTERNATIONAL AG,**
Steinhausen (CH)

(72) Inventor: **Veronique Marchand,** Asnières sur
Seine (FR)

(73) Assignee: **CARTIER INTERNATIONAL AG,**
Steinhausen (CH)

(**) Term: **15 Years**

(21) Appl. No.: **29/755,066**

(22) Filed: **Oct. 16, 2020**

(30) **Foreign Application Priority Data**

Apr. 16, 2020 (WO) WIPO94117

(51) **LOC (13) Cl.** **11-01**

(52) **U.S. Cl.**
USPC **D11/3**

(58) **Field of Classification Search**
USPC D11/1-4, 17-23
CPC A44C 9/00; A44C 7/001-002
See application file for complete search history.

(56) **References Cited**

U.S. PATENT DOCUMENTS

D116,246 S * 8/1939 Silverman D11/5
D278,609 S * 4/1985 Satterelli D11/80
D305,214 S * 12/1989 Campbell D11/88
D309,276 S * 7/1990 Mejias D11/202
D309,277 S * 7/1990 Mejias D11/27
D329,820 S * 9/1992 Lawlor D10/97
D537,008 S * 2/2007 Novoa D11/26
D815,553 S * 4/2018 Fillon D11/4
D817,216 S * 5/2018 Fridman D11/39
D877,642 S * 3/2020 Fillon D11/4

FOREIGN PATENT DOCUMENTS

WO D101741-001 * 5/2019
WO D201346-002 * 11/2019

OTHER PUBLICATIONS

Cartier (Harrods) Rose Gold Écrou de Cartier Double Ring pp. 1-9
2022 <https://www.harrods.com/en-at/shopping/cartier-rose-gold-ecrou-de-cartier-double-ring-16717404> (Year: 2022).*
Écrou De Cartier Ring pp. 1-7 2022 <https://www.cartier.com/en-us/jewelry/rings/ecrou-de-cartier-ring-CRB4233800.html> (Year: 2022).*

* cited by examiner

Primary Examiner — Kevin K Rudzinski
Assistant Examiner — Evans David Delesline

(74) *Attorney, Agent, or Firm* — Oliff PLC

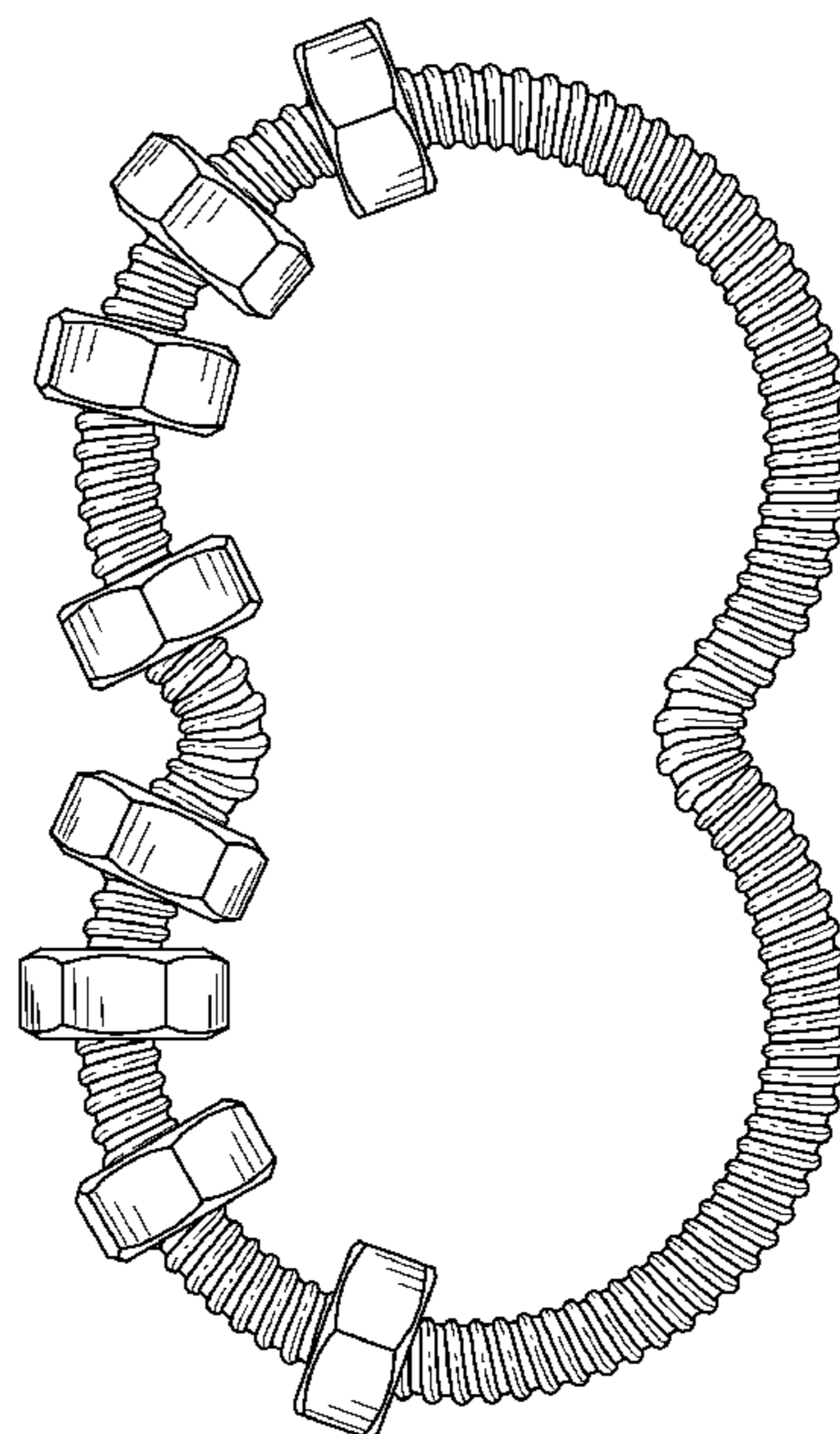
(57) **CLAIM**

The ornamental design for an article of jewelry, as shown and described.

DESCRIPTION

FIG. 1 is a front elevational view of the article of jewelry, showing the new design;
FIG. 2 is a rear elevational view thereof;
FIG. 3 is a top plan view thereof;
FIG. 4 is a bottom plan view thereof;
FIG. 5 is a left-side elevational view thereof;
FIG. 6 is a right-side elevational view thereof; and,
FIG. 7 is a front, right-side, top perspective view thereof.

1 Claim, 7 Drawing Sheets



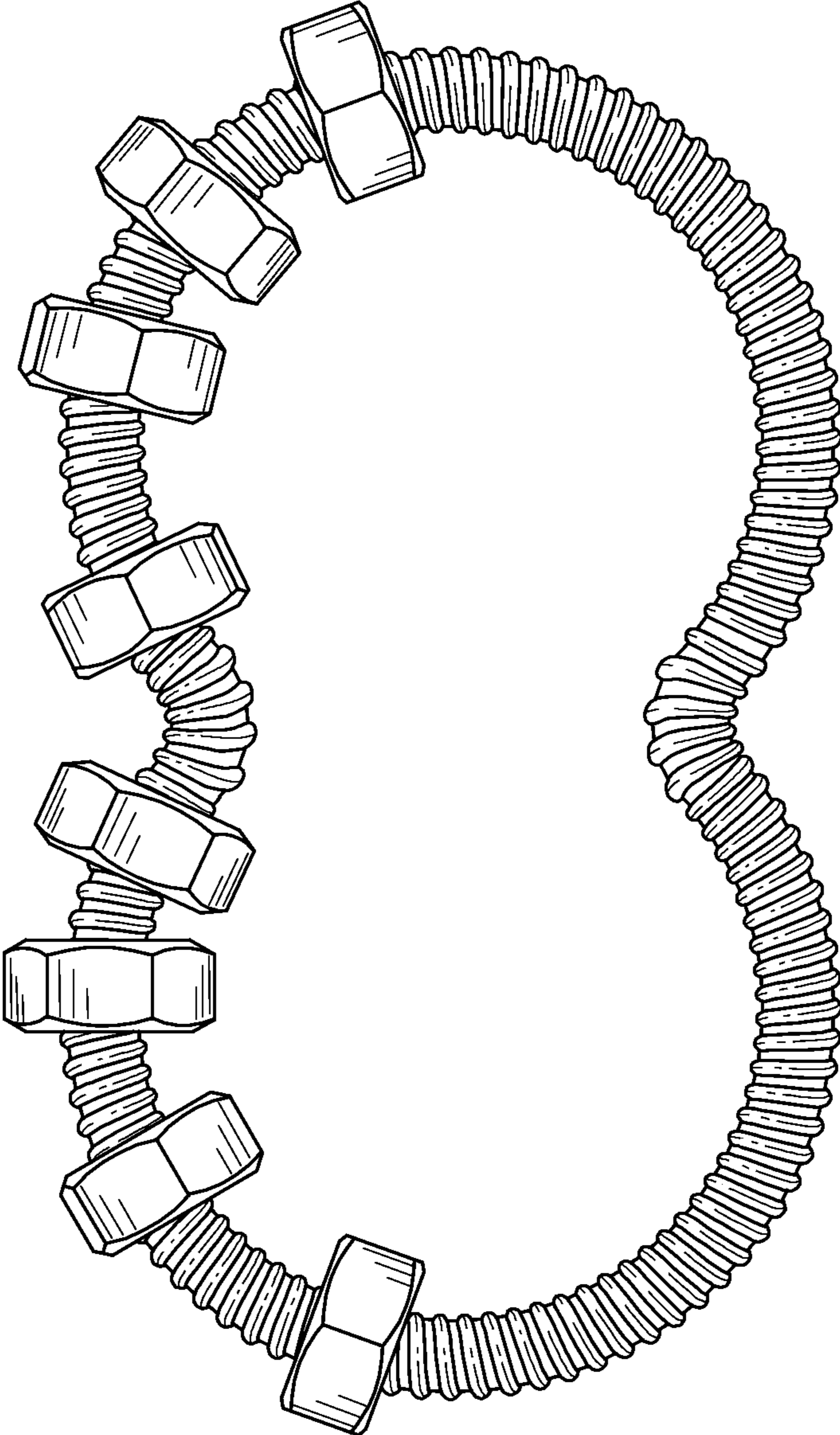


FIG. 1

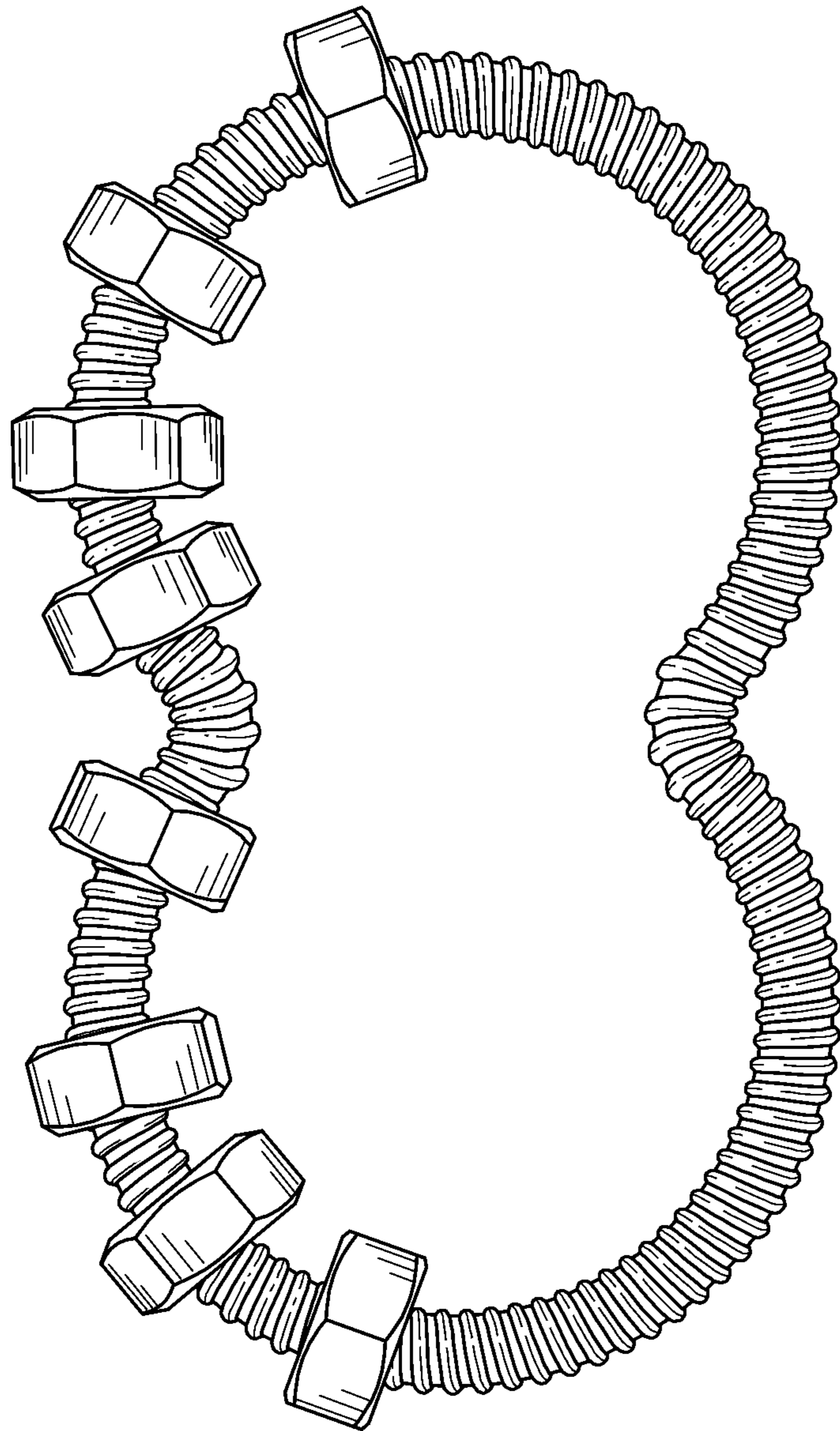


FIG. 2

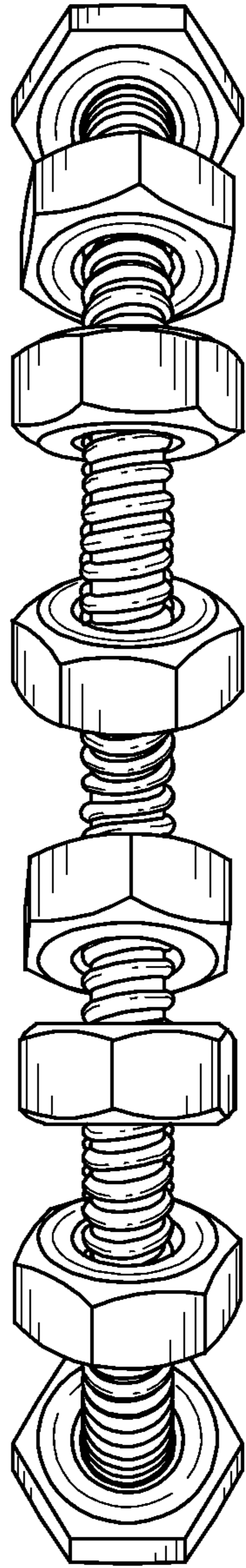


FIG. 3

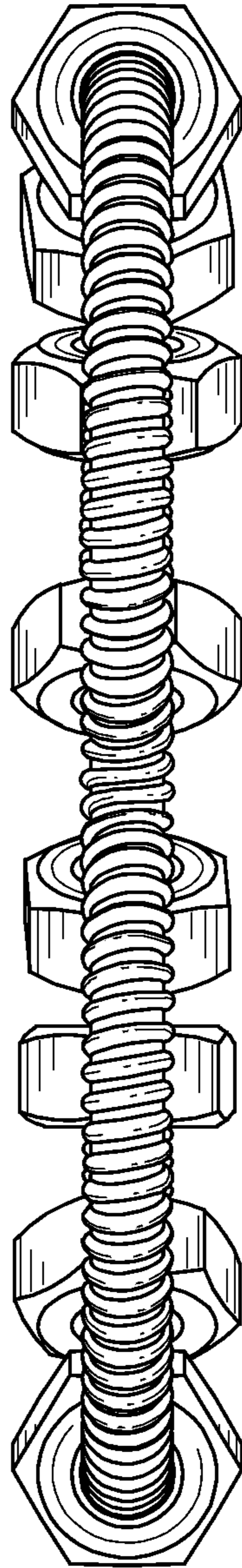


FIG. 4

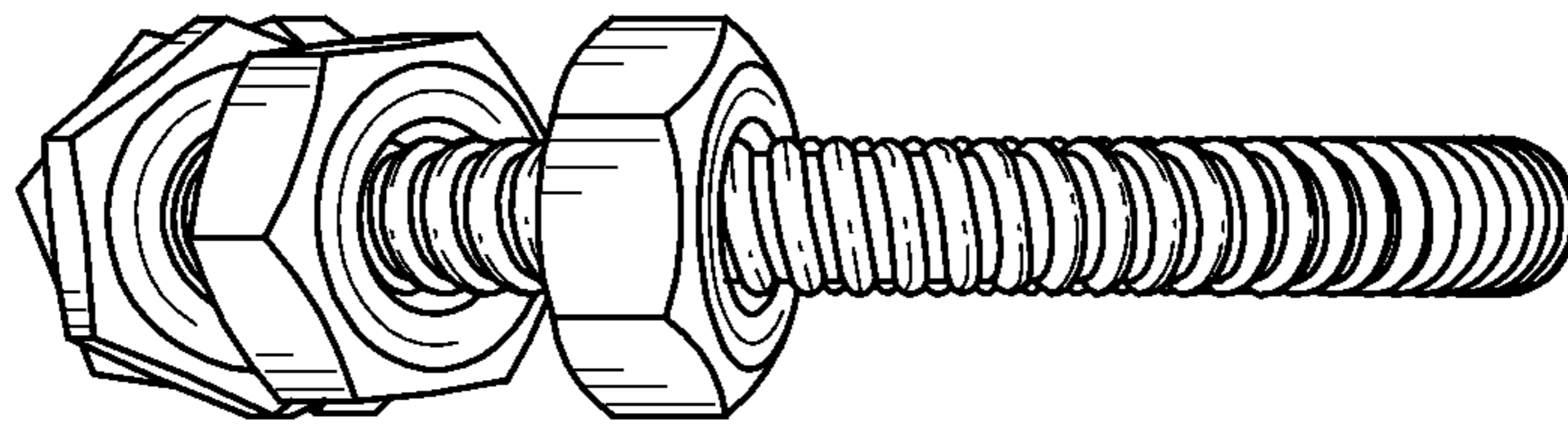


FIG. 5

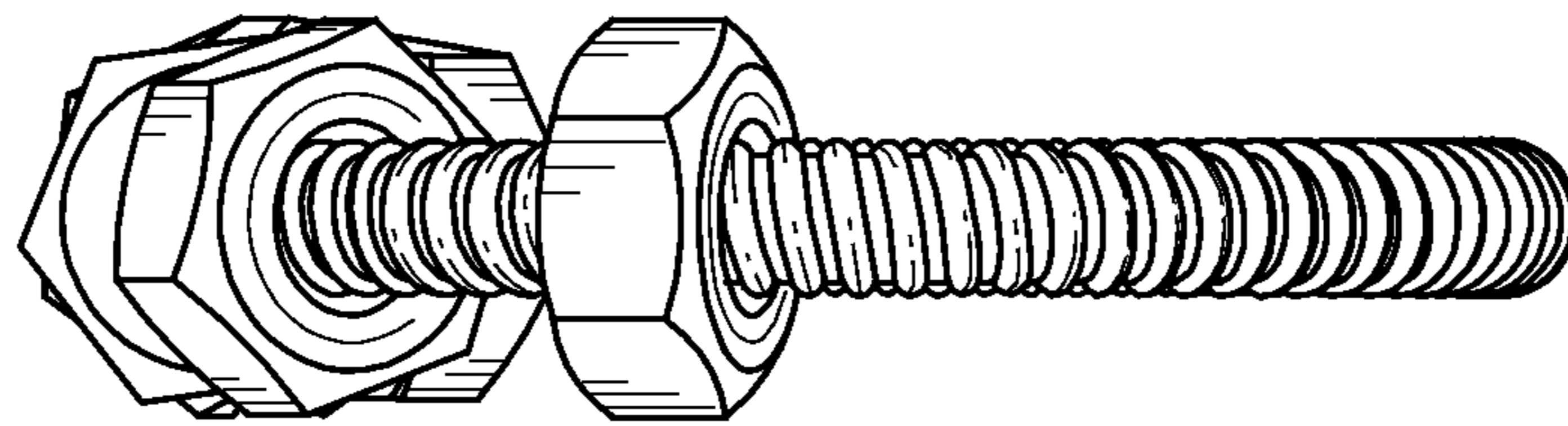


FIG. 6

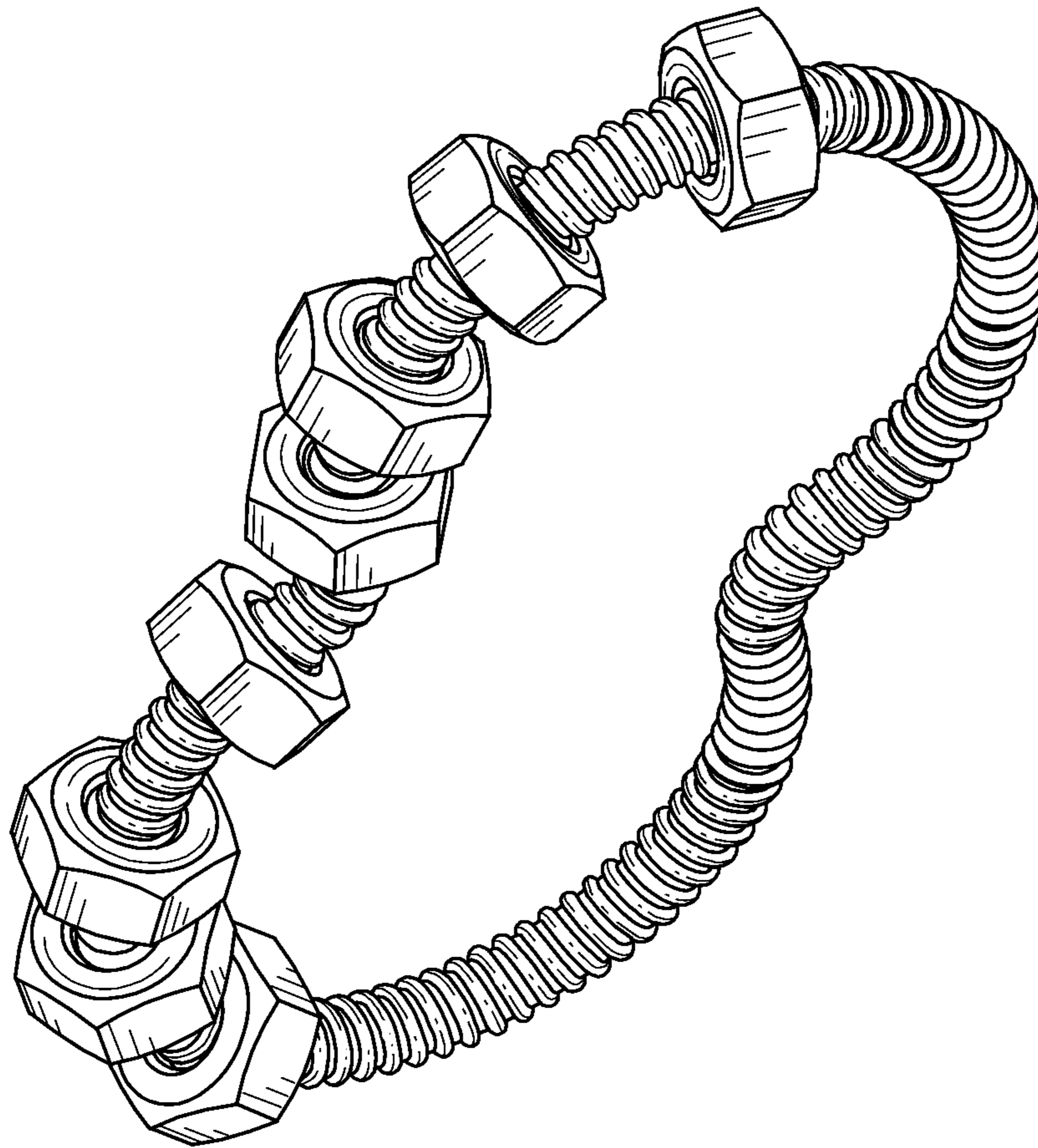


FIG. 7